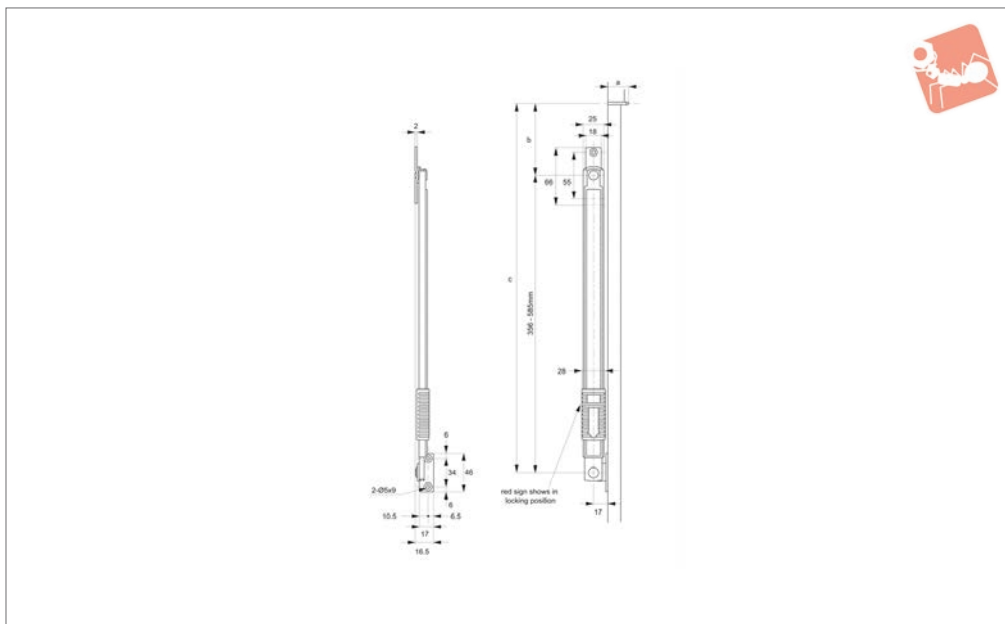




# Door Stays - Multi-Stop

stainless steel

# Lid & Door Stays



## N2000

LID & DOOR STAYS

### Material

Stainless steel, AISI 304, with polyacetal (POM) latch.

### Technical Notes

Holds handle open at multiple angles.

Slide lock lever to lock/unlock stay.

**For outward opening doors only.**

Max. door size:

h = 2000mm

w = 600 - 910mm

t = 25 - 45mm

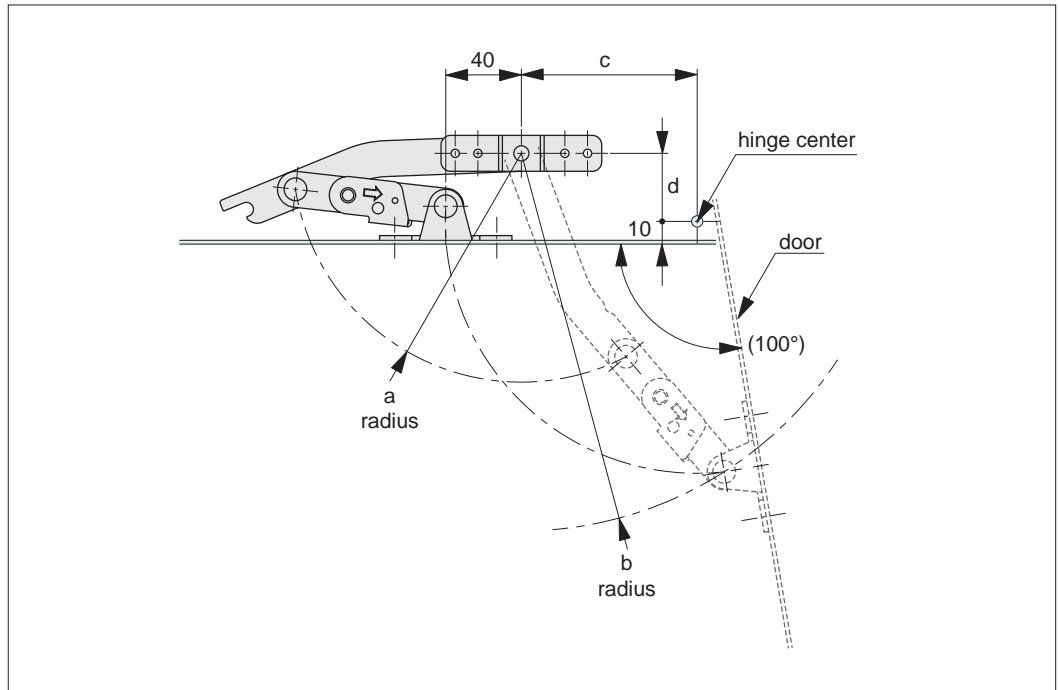
See installation table below.

Order No.	Door opening angle max.	Weight g
N2000.AC0010	90°	338

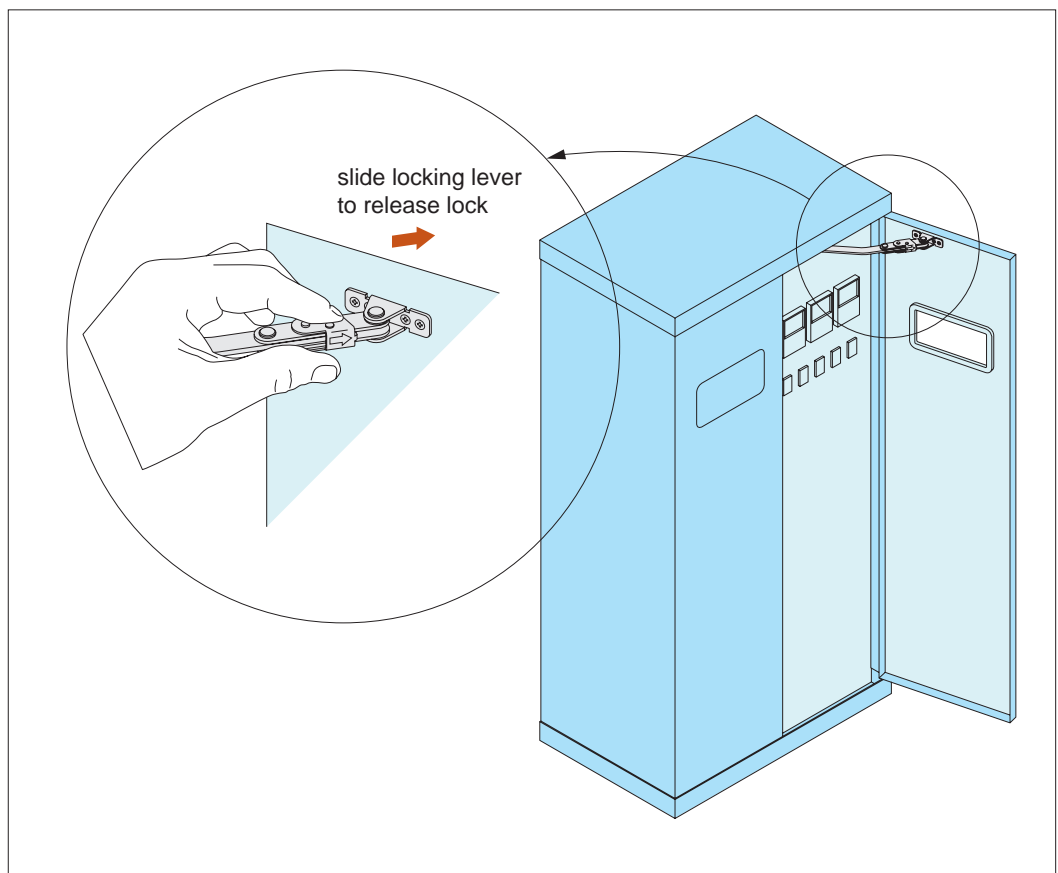


## Installation

### Installation dimensions



### Easy actuation and release











# Wixroyd Door Stays

## product selection charts

## Stays

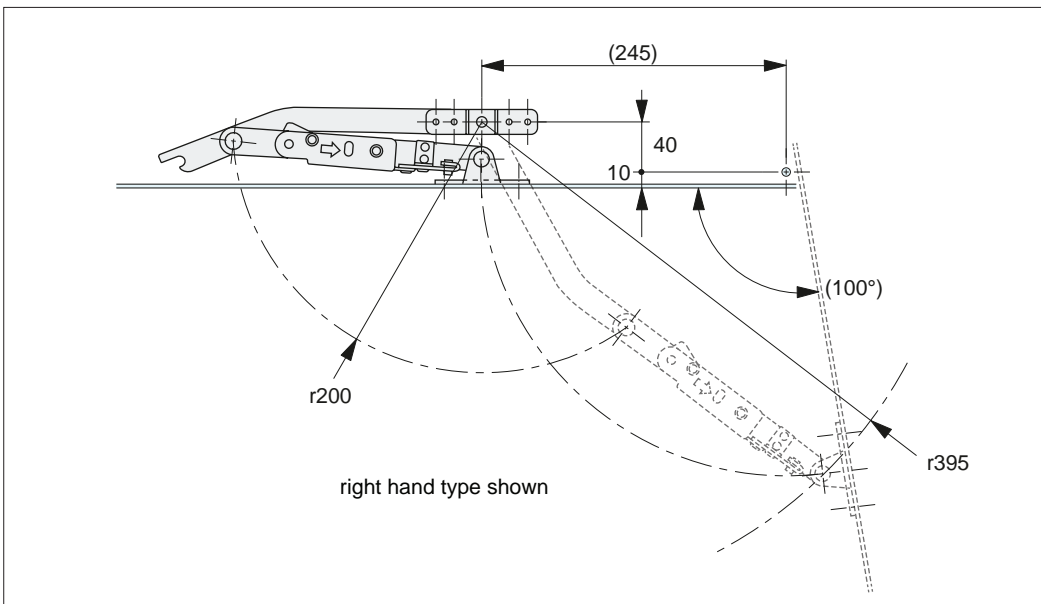
	Mounting			Door Opening			Material		Heavy Duty	Compression Force Kgf	Max Door Width mm	Tensile Force Kg	Max Angle
	Right	Left	Universal	Muti Stop	Soft Closing	Hold Open	Steel	Stainless Steel					
<b>N2000</b> 			✓	✓				✓			600-910		90°
<b>N2020</b> 	✓	✓			✓			✓		0,6-1,5	300		90°
<b>N2050</b> 			✓			✓	✓			50-60		50-60	100°
<b>N2100</b> 	✓	✓				✓		✓		50-60		150	100°
<b>N2120</b> 			✓			✓			✓	30		60	100°
<b>N2200</b> 	✓	✓				✓		✓	✓	50-60		150	100°

LID & DOOR STAYS

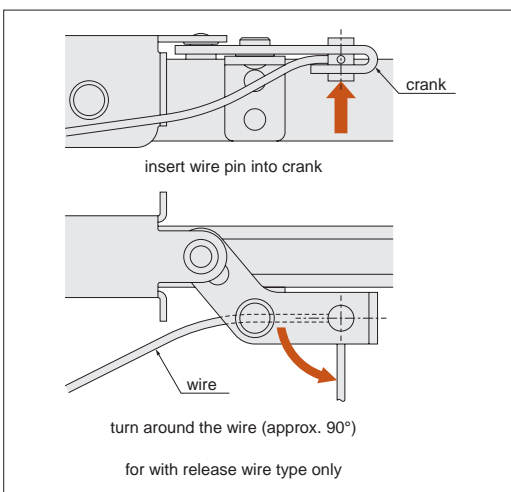
ov-WN2000-A-T-WN2000-A-TST0510-door-stays-product-selection-charts-rnh- Updated -25-10-2022



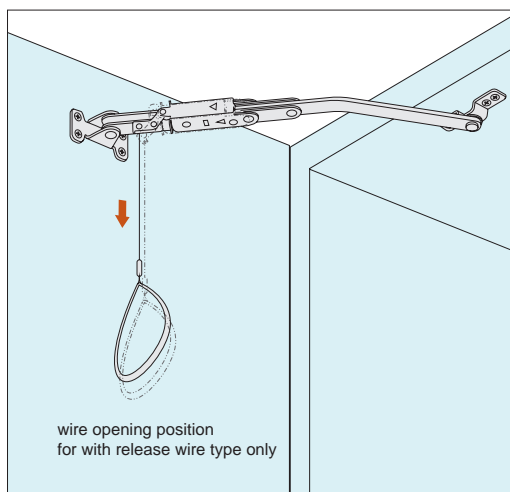
### Installation dimensions



### Installation of lock release wire



Installation of Lock Release Wire

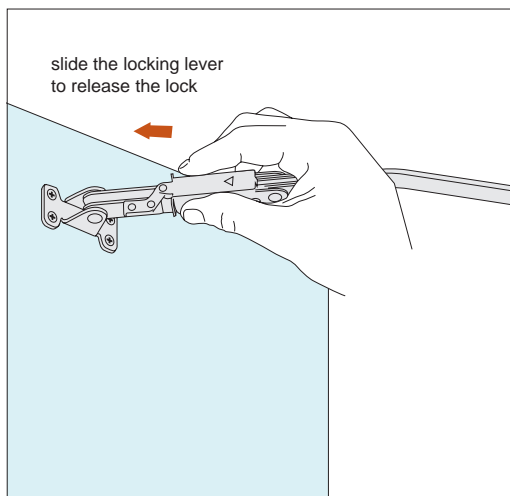


Release of Stay with Release Wire

### Stay lock and release



Full Lock Out Indicator



Manual Stay Release