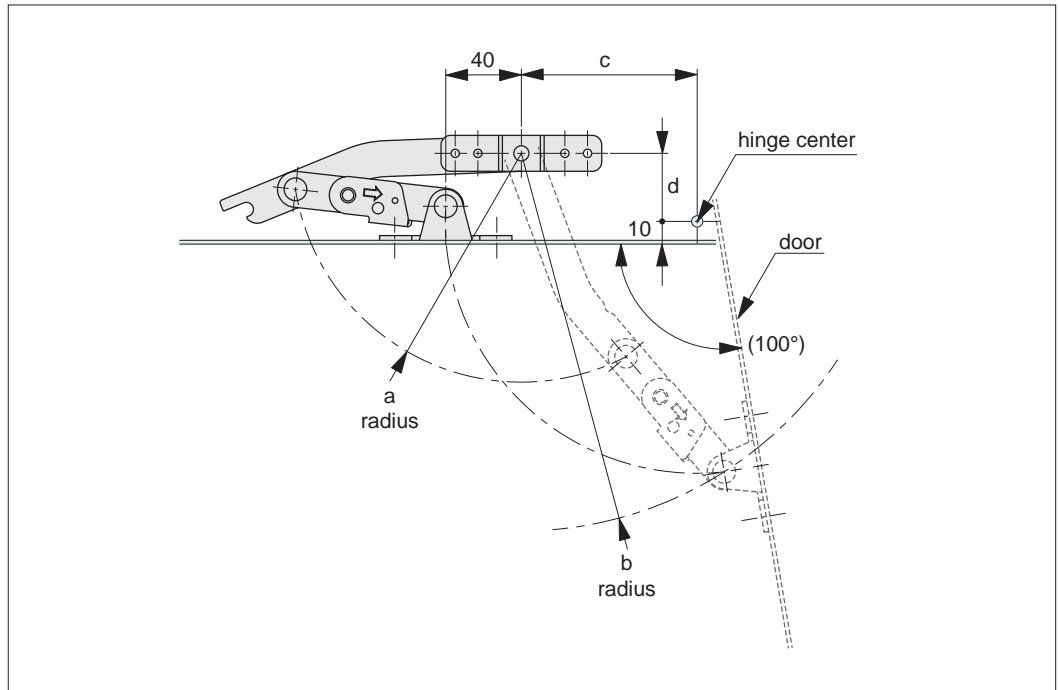


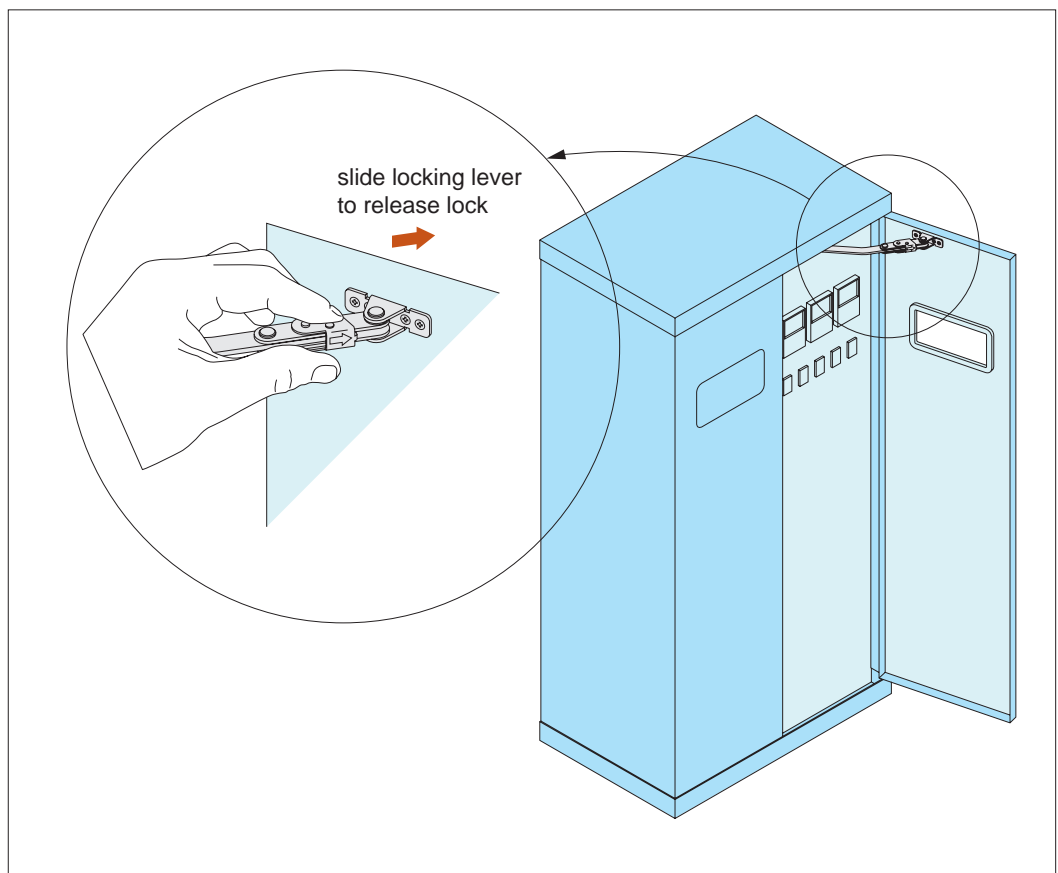


Installation

Installation dimensions



Easy actuation and release











Wixroyd Door Stays

product selection charts

Stays

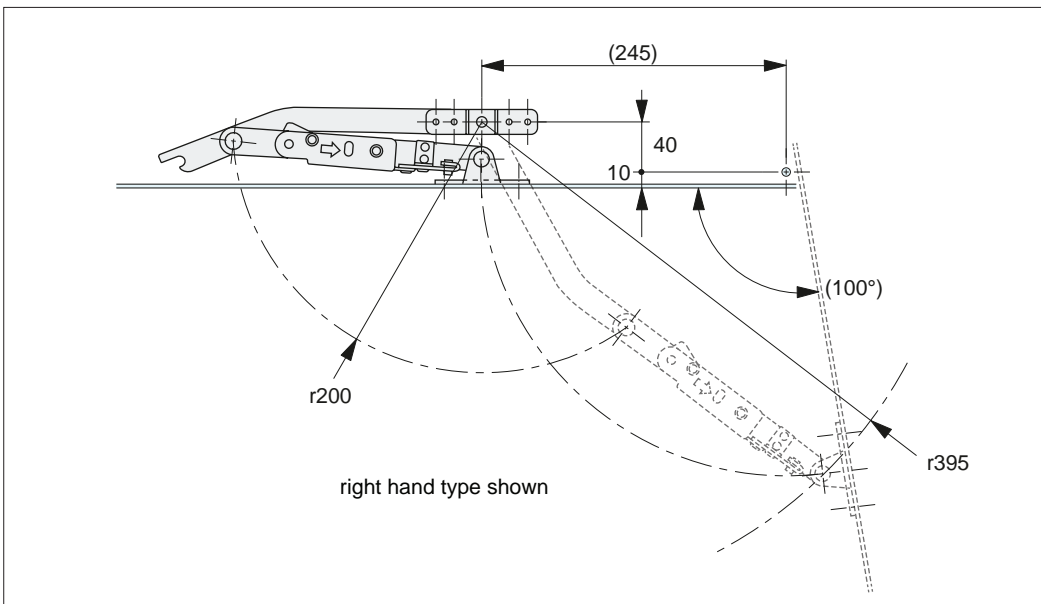
	Mounting			Door Opening			Material		Heavy Duty	Compression Force Kgf	Max Door Width mm	Tensile Force Kg	Max Angle
	Right	Left	Universal	Muti Stop	Soft Closing	Hold Open	Steel	Stainless Steel					
N2000 			✓	✓				✓			600-910		90°
N2020 	✓	✓			✓			✓		0,6-1,5	300		90°
N2050 			✓			✓	✓			50-60		50-60	100°
N2100 	✓	✓				✓		✓		50-60		150	100°
N2120 			✓			✓			✓	30		60	100°
N2200 	✓	✓				✓		✓	✓	50-60		150	100°

LID & DOOR STAYS

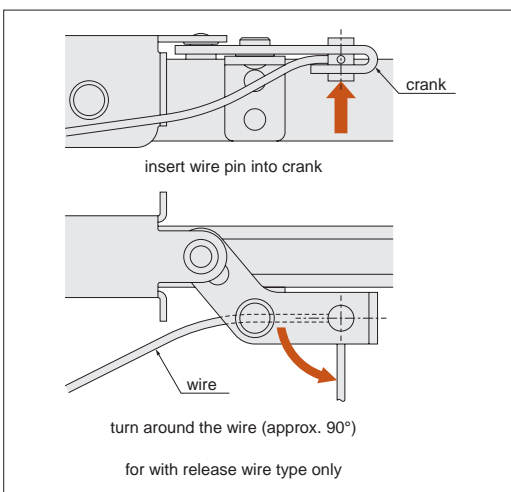
ov-WN2000-A-T-WN2000-A-TST0510-door-stays-product-selection-charts-rnh- Updated -25-10-2022



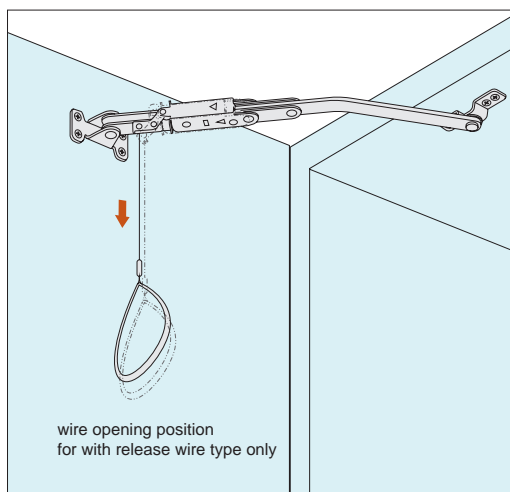
Installation dimensions



Installation of lock release wire



Installation of Lock Release Wire

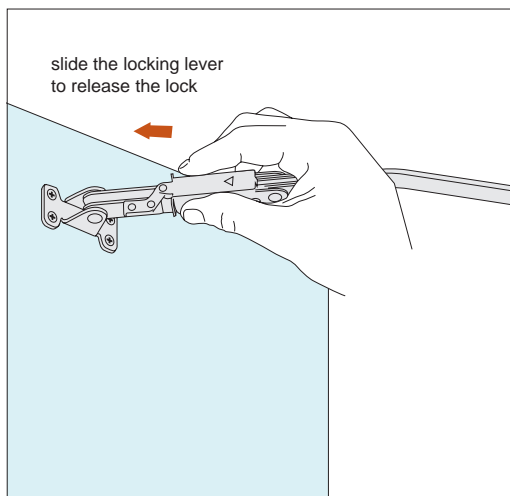


Release of Stay with Release Wire

Stay lock and release



Full Lock Out Indicator



Manual Stay Release