

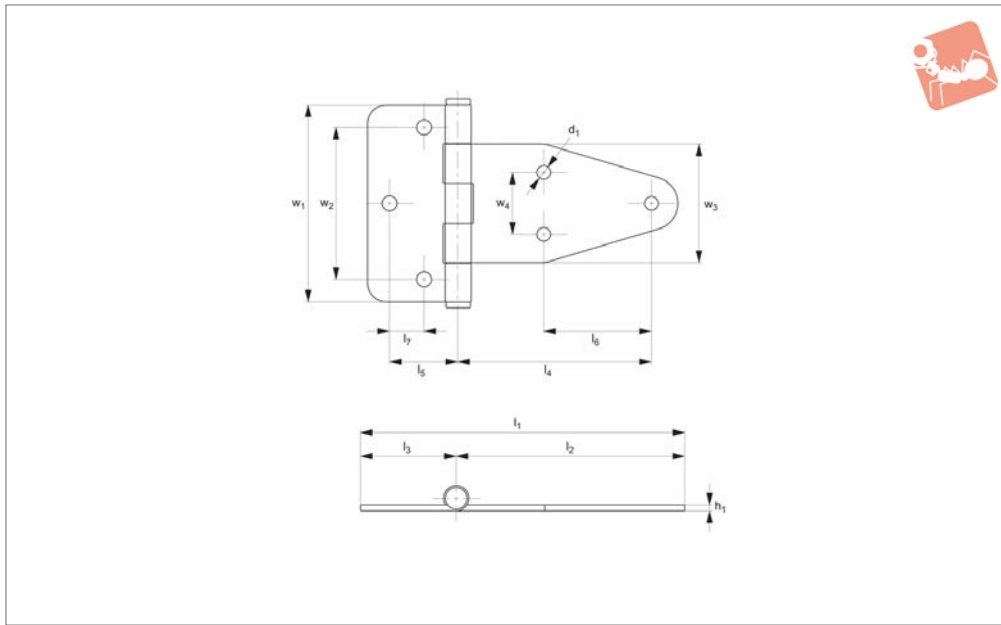


# Surface Mount - Leaf Hinges

screw mount - stainless steel



## Hinges



**S0818**

HINGES

**Material**

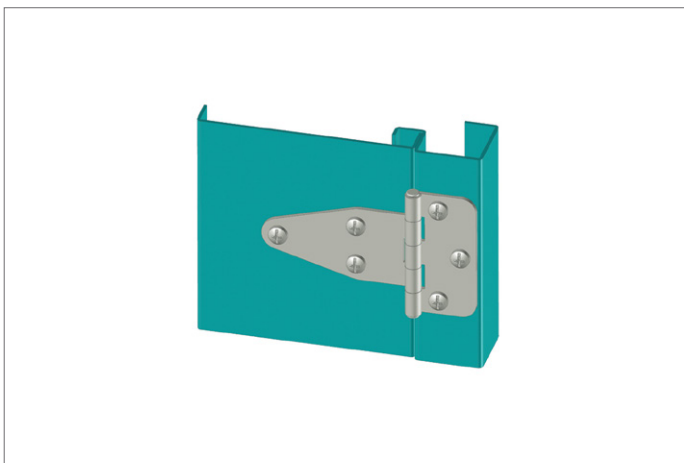
Hinge: stainless steel AISI 304, polished.

doors, as well as electrical panels and covers. Opening angle 180°.

**Technical Notes**

For plain/flush mounted, isolated heavy

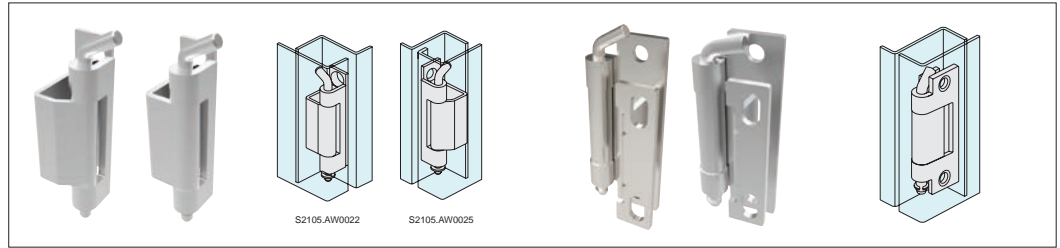
| Order No.    | $h_1$ | $l_1$ | $l_2$ | $l_3$ | $l_4$ | $l_5$ | $l_6$ | $l_7$ | $w_1$ | $w_2$ | $w_3$ | $F_x$<br>N | $F_y$<br>N | $d_1$ |
|--------------|-------|-------|-------|-------|-------|-------|-------|-------|-------|-------|-------|------------|------------|-------|
| S0818.AW0010 | 2.5   | 137   | 97    | 40    | 85.5  | 30    | 48    | 15    | 85    | 65    | 57    | 750        | 850        | 6.5   |



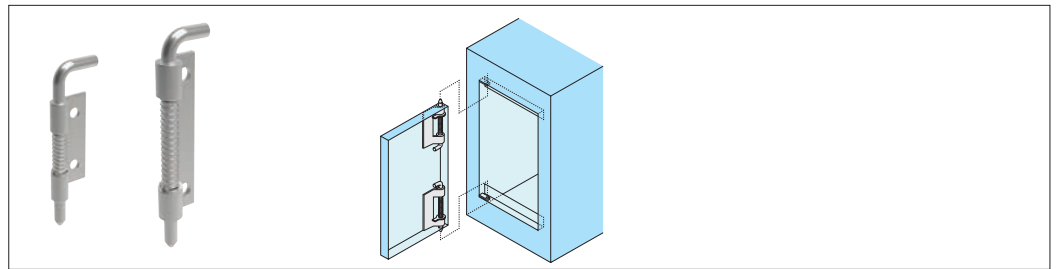


## Concealed hinges

For added security or a sleek enclosure design, concealed hinges offer the solution with mounting discreetly hidden away from view to avoid tampering.



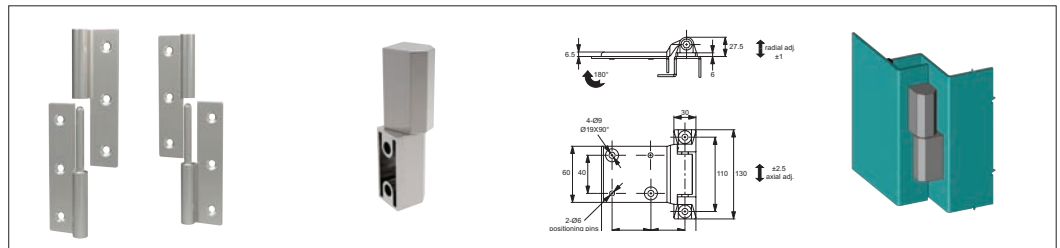
Concealed pivot hinges



End mount concealed pivot hinges

## Door removal hinges

Door removal or lift-off hinges simplify removal of covers and panels to ease access for maintenance and repair, available in a selection of materials.



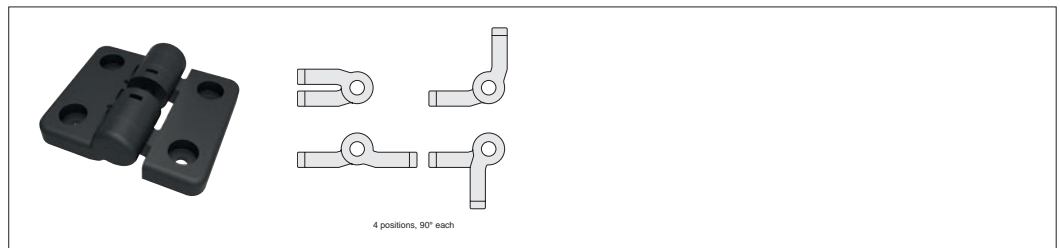
Lift off hinges

## Torque and positioning hinges

Torque and positioning hinges offer positive location of panels, screens and displays using constant friction for a firm hold.



Constant torque hinges



Detent positioning hinges



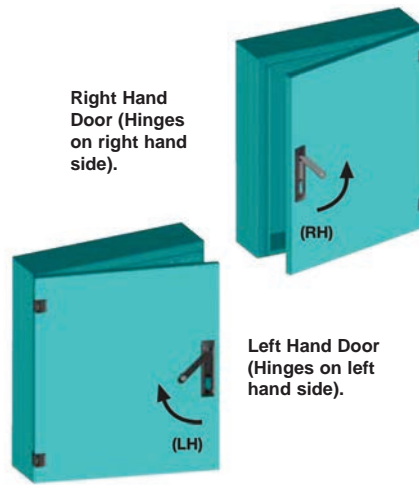
Wixroyd have a diverse range of hinges to suit most industrial applications in a wide range of materials and finishes.

Throughout our catalogue we refer to parts as being of a "Left" or "Right" type or hand. Which type you need, is most easily explained as follows;

Oriente your application so that when opened the door/panel comes towards you. With this orientation in mind, look to see on which side of the door/panel the hinges are mounted?

If the hinges are on the left side of the door/panel then you require "Left" type products. If the hinges are on the right side of the door/panel then you require "Right" type products.

The illustration on the right clearly indicates the layout and orientation of the door where a "left" or "right" product is used.

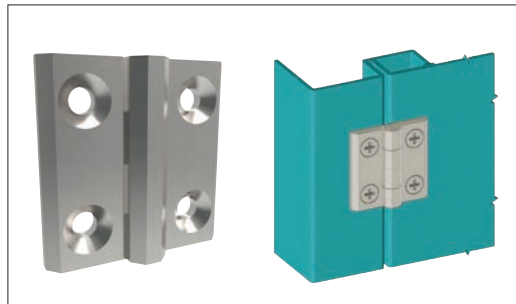


**Left or right type:  
Which do you need?**

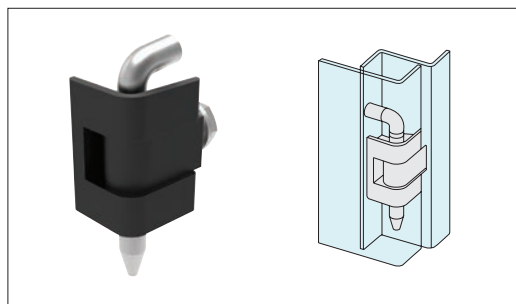
## Hinges

External or surface mount hinges have a wide range of application on electrical panels, sheet metal enclosures, generators and heating and venting applications.

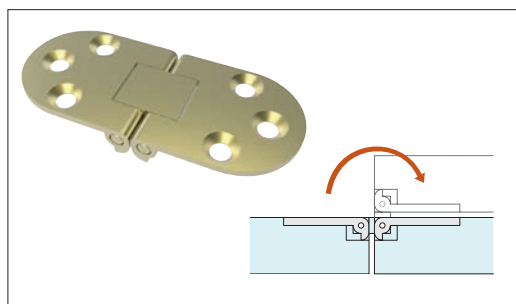
## External hinges



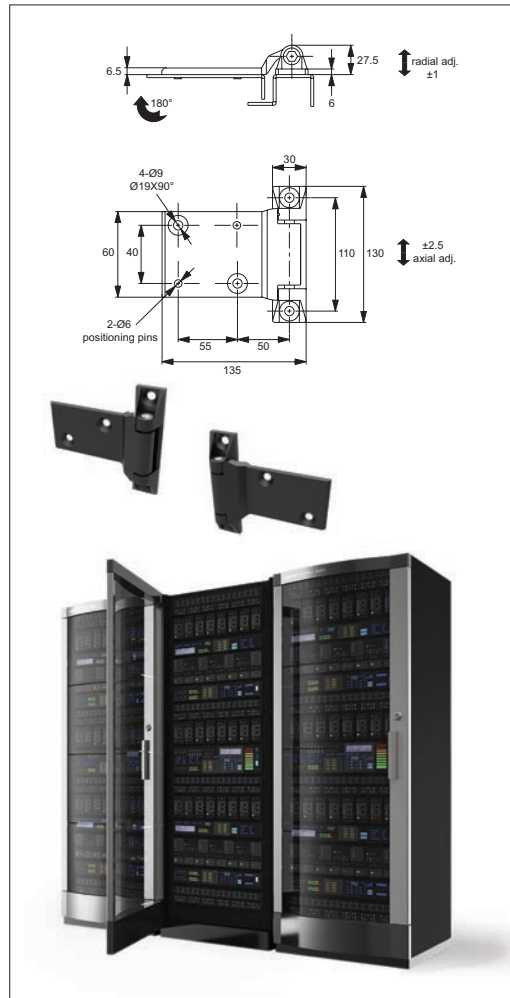
Surface mount hinges



Corner hinges



Flush mount hinges



Surface mount hinges

HINGES

ov-WS0050-A-T-WS2300-A-TH1200-wide-range-of-solutions-b-rnh - Updated - 01-11-2022