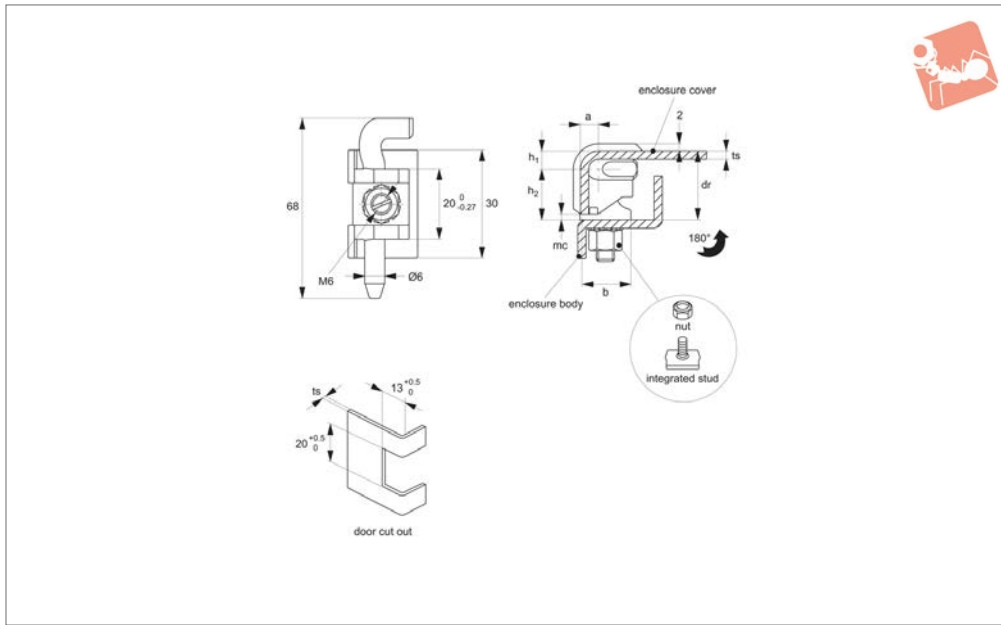




# Corner Hinge 19 - 21mm Door Return cut out and integrated stud - stainless steel



Hinges



**S1903**

HINGES

**Material**

Hinge: stainless steel AISI 304, wire-drawing polishing.

**Technical Notes**

For sheet metal and machine enclosures with a 19 to 21mm door return, up to 2mm thick. For installation dimension see cut

out detail.

Universal left or right hand opening doors. Max. opening angle 180°.

**Tips**

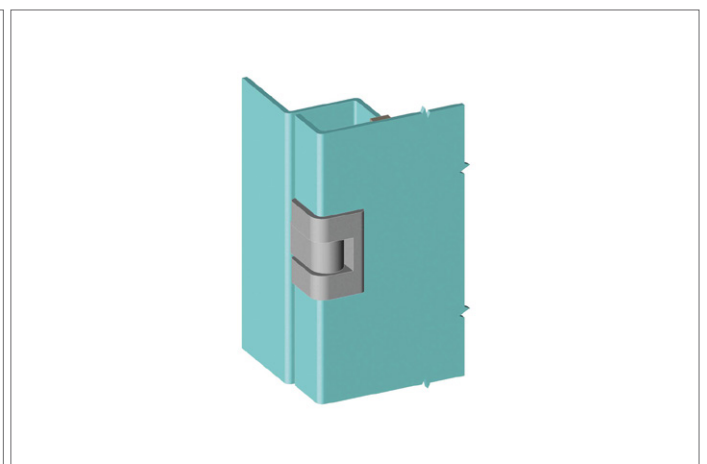
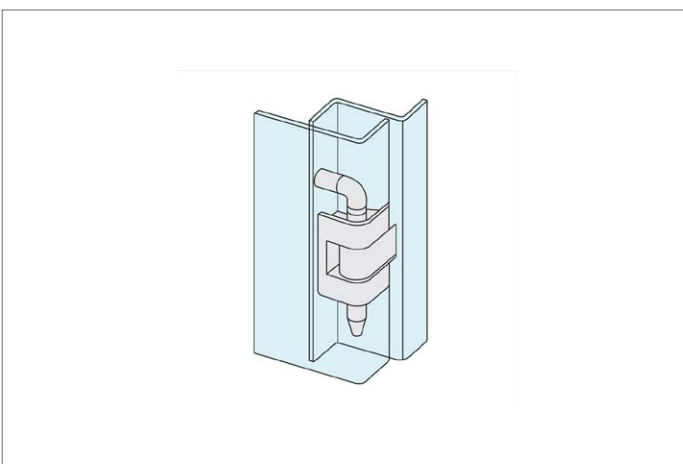
Use M6 nut on intergrated stud to secure (not supplied).

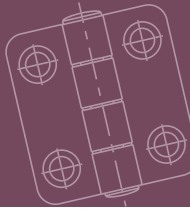
**Important Notes**

dr= Maximum door return suitable for use with hinge.

mc= Minimum clearance advised between enclosure cover and body to ensure smooth, full opening of enclosure cover.

Order No.	Finish	Door return	$h_1$	$h_2$	$F_x$ kN	$F_y$ kN	mc min.	ts panel thickness
<b>S1903.AW0015</b>	Stainless	19.6	4.6	15	900	700	2	1.5

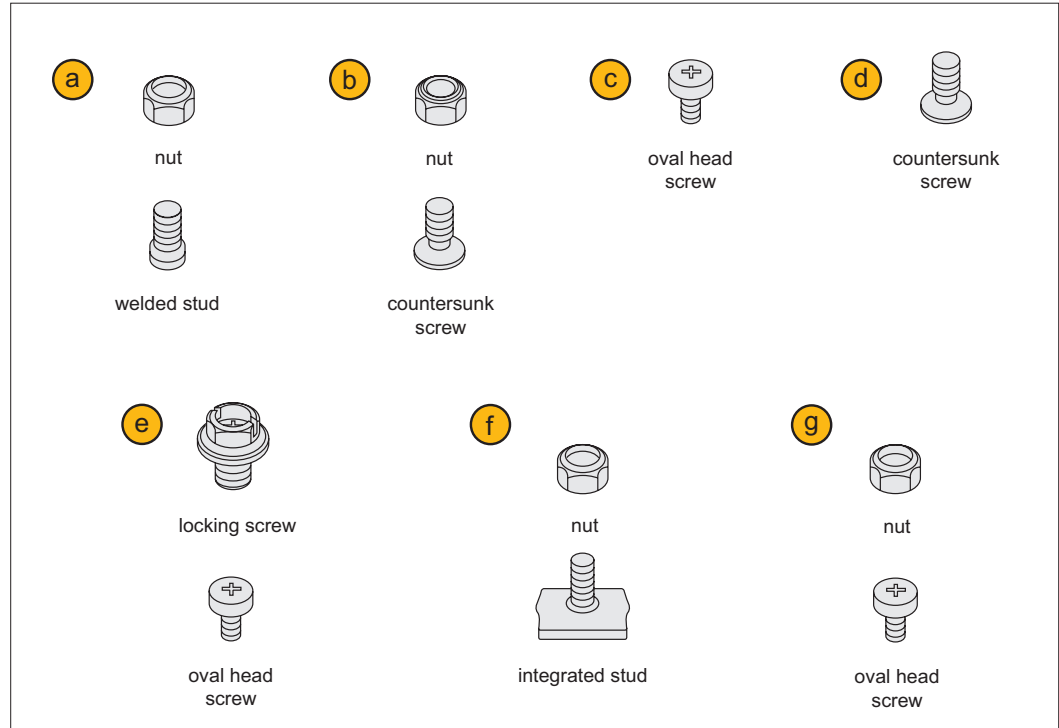




### A variety of mounting methods are available!

#### Mounting combinations

Wixroyd concealed hinges can be mounted in a variety of ways using additional nuts and bolts.



**Important Note:** Refer to individual product pages for suitable mounting options. If you have any problems please contact our Technical Sales Team.

#### Mounting example

In the example, mounting option ②, a nut with a countersunk screw, is used to mount the hinge onto the enclosure body.

