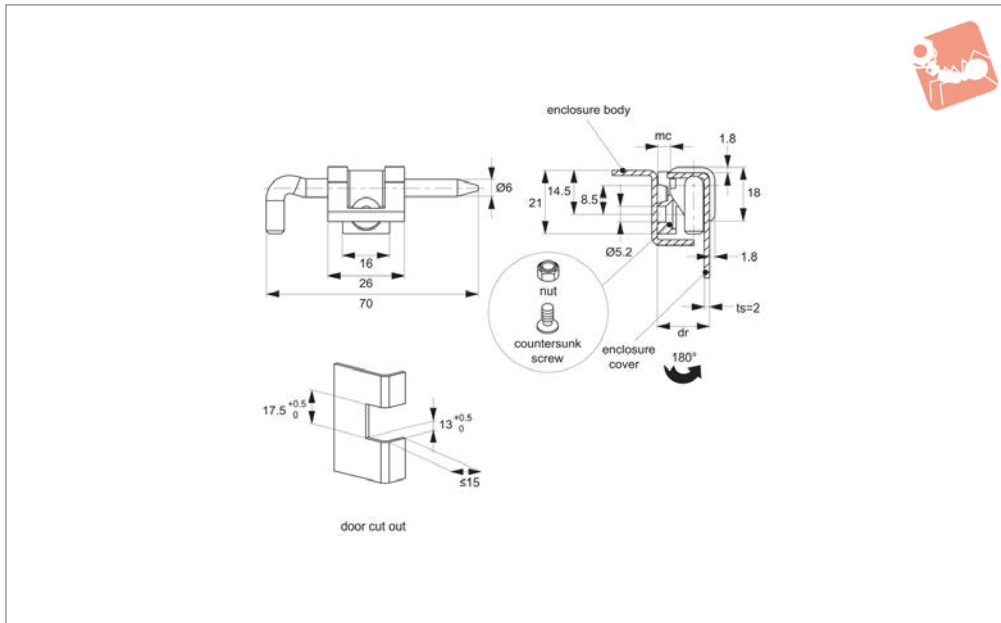




Corner Hinge - 17mm Door Return cut out and countersunk screw - zinc



S1921

HINGES

Material

Hinge: die cast zinc, black powder coated.
Pin: stainless steel AISI 304.

Technical Notes

For sheet metal and machine enclosures with a 17mm door return, upto 2mm thick.
For installation dimension see cut out

detail.

Universal left or right hand opening doors.
Max. opening angle 180°.

Tips

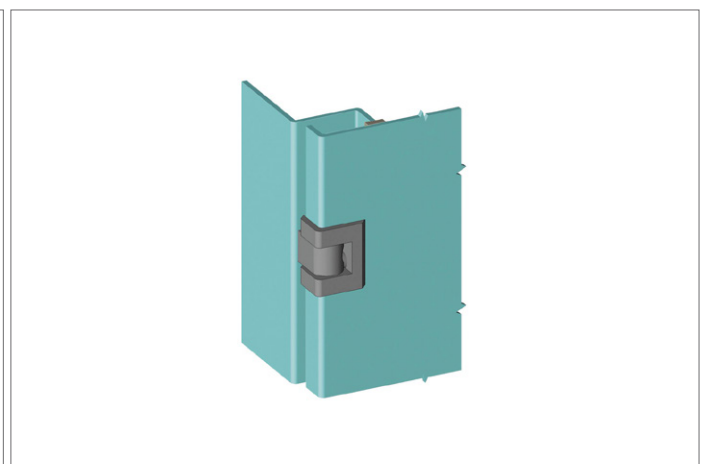
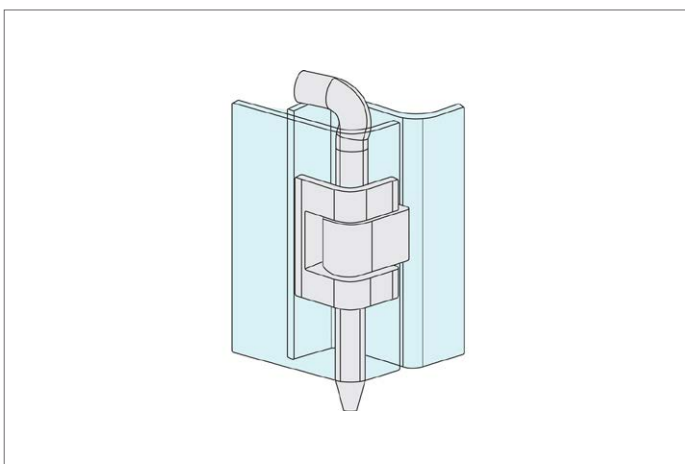
Mounting via M5 countersunk screws (not supplied).

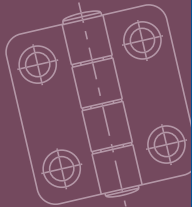
Important Notes

dr= Maximum door return suitable for use with hinge.

mc= Minimum clearance advised between enclosure cover and body to ensure smooth, full opening of enclosure cover.

Order No.	Finish	Door return	F_x N	F_y N	mc min.	ts panel thickness
S1921.AW0010	Black coated	17	405	805	2	2.0

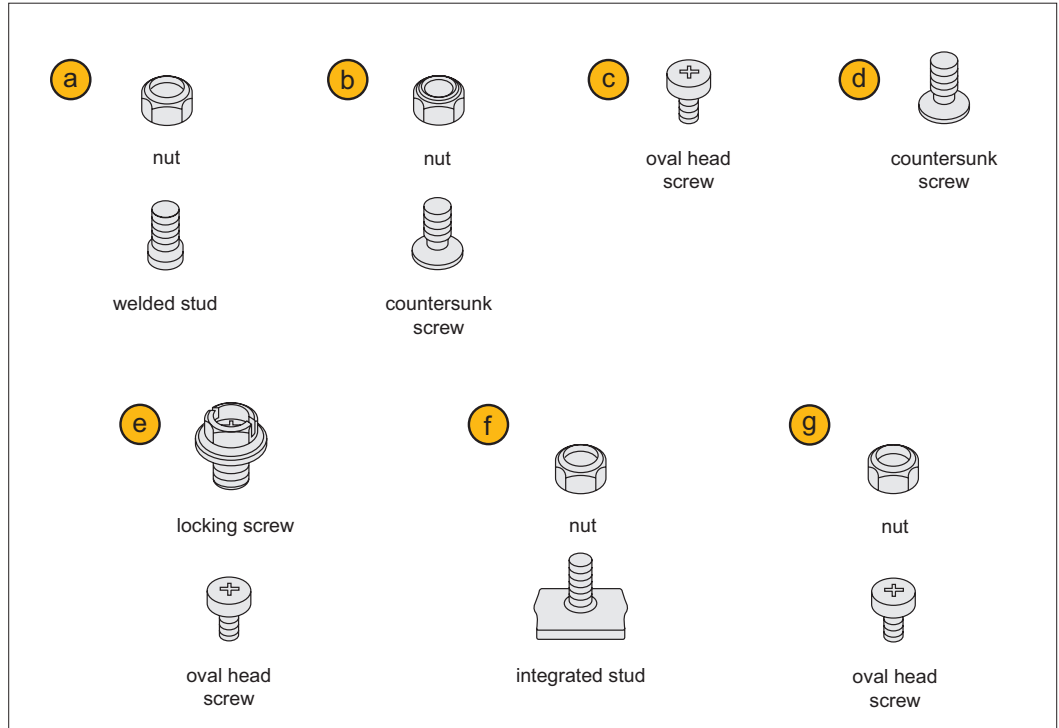




A variety of mounting methods are available!

Mounting combinations

Wixroyd concealed hinges can be mounted in a variety of ways using additional nuts and bolts.



Important Note: Refer to individual product pages for suitable mounting options. If you have any problems please contact our Technical Sales Team.

Mounting example

In the example, mounting option ②, a nut with a countersunk screw, is used to mount the hinge onto the enclosure body.

