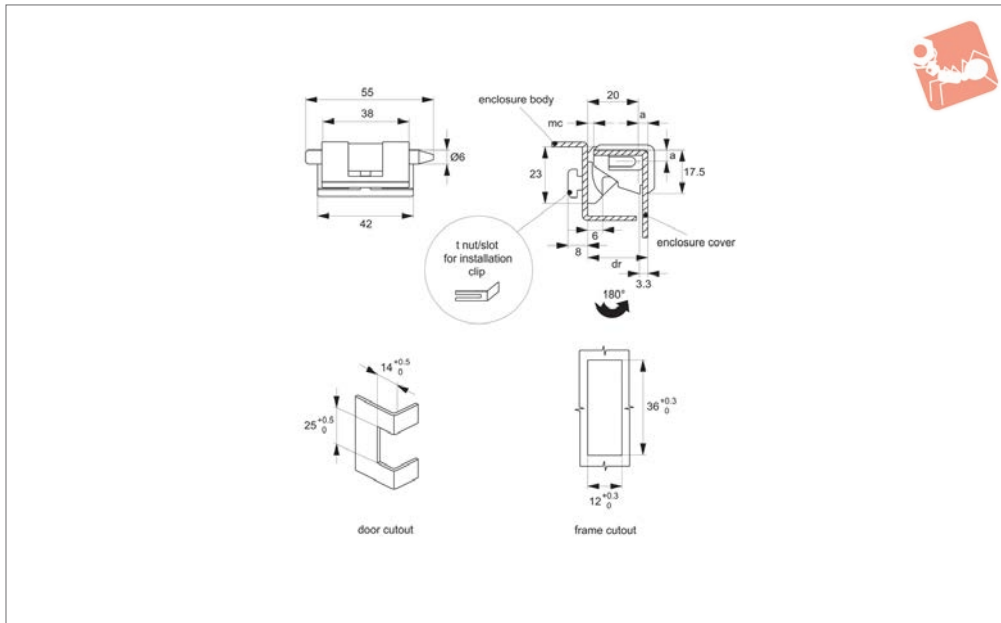




# Corner Hinge 24 - 26mm Door Return cut out and clip fix - zinc



Hinges



**S1928**

HINGES

### Material

Hinge: die cast zinc, black powder coated.  
Pin: steel, nickel-plated.

### Technical Notes

Opening angle 180°.

### Tips

Mounting via use of installation clip and

„t-nut“ slot on hinge body. Requires additional cutout in frame (see technical drawing).

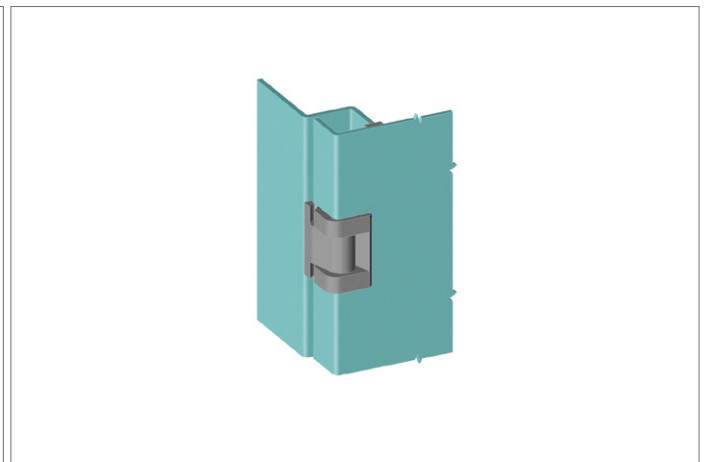
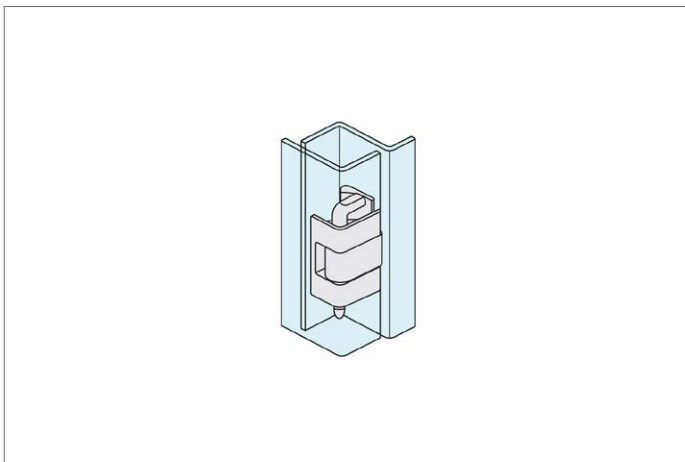
### Important Notes

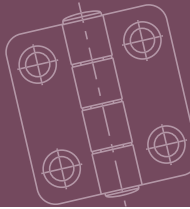
dr= Maximum door return suitable for use with hinge.

mc= Minimum clearance advised between

enclosure cover and body to ensure smooth, full opening of enclosure cover.

Order No.	Finish	Door return	a	b	F <sub>x</sub> N	F <sub>y</sub> N	mc min.	ts panel thickness
S1928.AW0001	Black Coated	24.6	4.6	20	1050	980	3	1.5
S1928.AW0002	Black Coated	25.1	5.1	20	1050	980	3	2.0
S1928.AW0003	Black Coated	26.1	6.1	20	1050	980	3	3.0

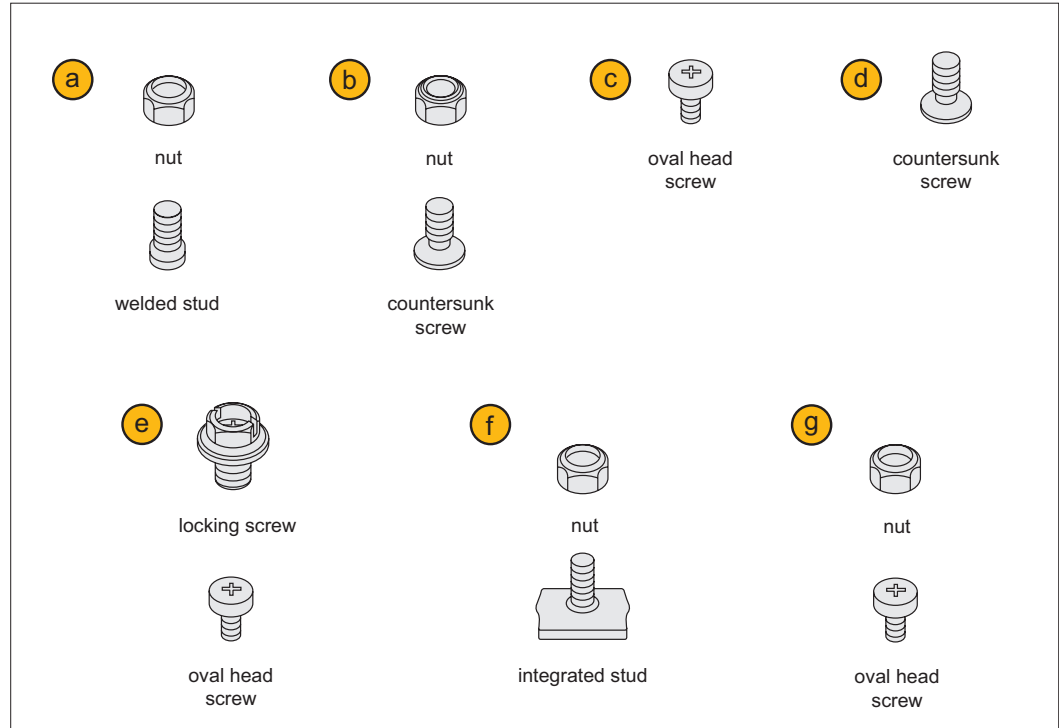




### A variety of mounting methods are available!

#### Mounting combinations

Wixroyd concealed hinges can be mounted in a variety of ways using additional nuts and bolts.



**Important Note:** Refer to individual product pages for suitable mounting options. If you have any problems please contact our Technical Sales Team.

#### Mounting example

In the example, mounting option ②, a nut with a countersunk screw, is used to mount the hinge onto the enclosure body.

