

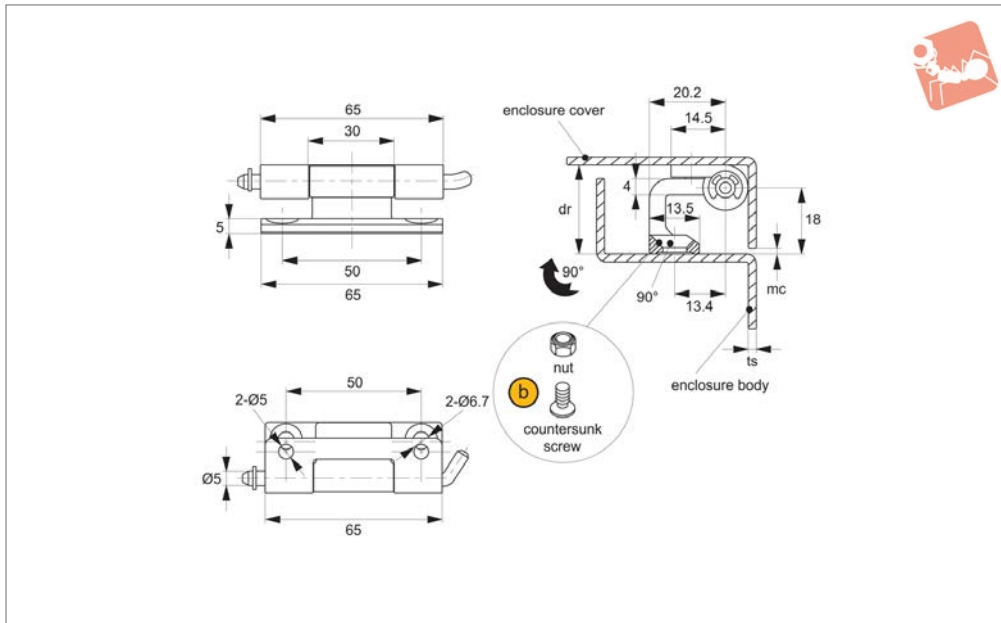


# Concealed Pivot Hinges - Lift Off

## 23mm door return - weld and countersunk screw



Hinges



**S2115**

HINGES

### Material

Hinge & pin: steel, white zinc plated.

### Technical Notes

Suited to sheet metal and machine enclosures with 23mm door return. When the gap between the door and frame is 2mm, opening angle is 90°.

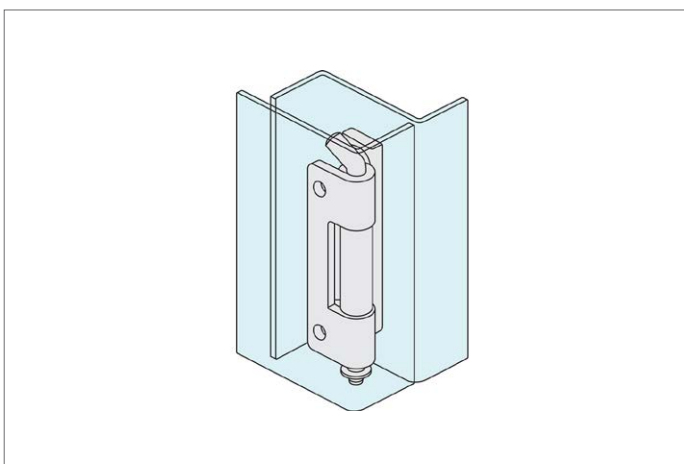
Main body mounted via M6 screws, hinge plate either welded or screwed to enclosure with M5 screws. Removable hinge pin enables easy installation and is held in place via circlip. Opening angle 180°.

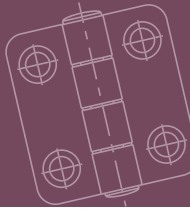
### Important Notes

dr= Maximum door return suitable for use with hinge.

mc= Minimum clearance advised between enclosure cover and body to ensure smooth, full opening of enclosure cover.

Order No.	Door return	Size	F <sub>x</sub> N	F <sub>y</sub> N	mc min.	ts panel thickness
S2115.AW0024	23.8	65 x 23 x 20,2	900	700	2	2

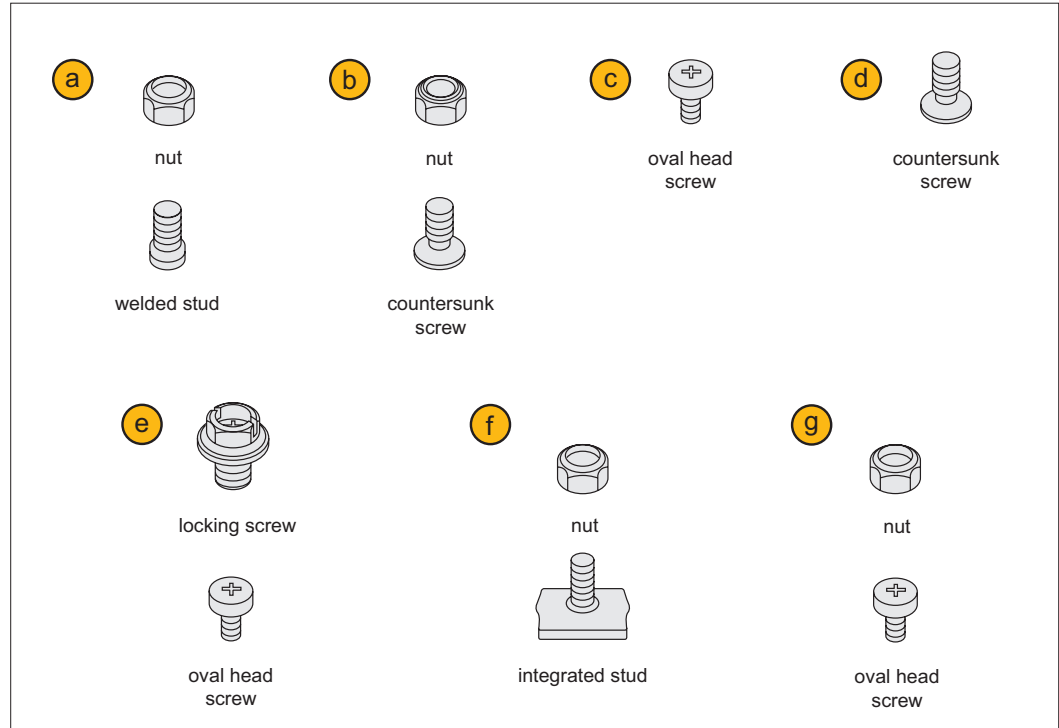




### A variety of mounting methods are available!

#### Mounting combinations

Wixroyd concealed hinges can be mounted in a variety of ways using additional nuts and bolts.



**Important Note:** Refer to individual product pages for suitable mounting options. If you have any problems please contact our Technical Sales Team.

#### Mounting example

In the example, mounting option ②, a nut with a countersunk screw, is used to mount the hinge onto the enclosure body.

