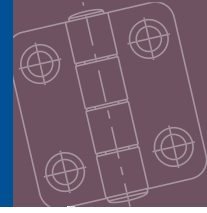


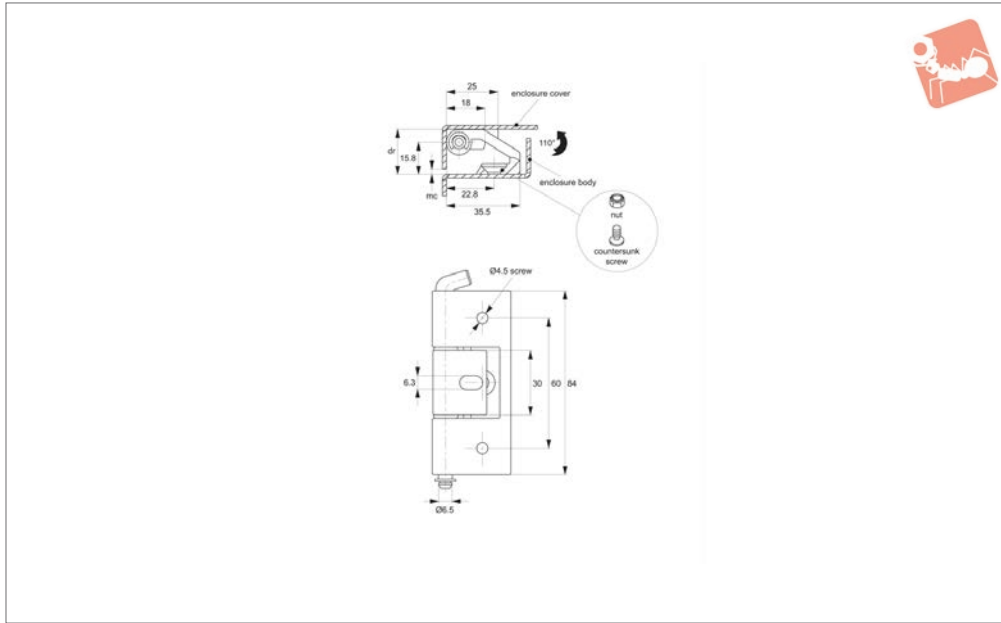


Concealed Pivot Hinges - Lift Off

22mm door return - weld and countersunk screw -



Hinges



S2153

HINGES

Material

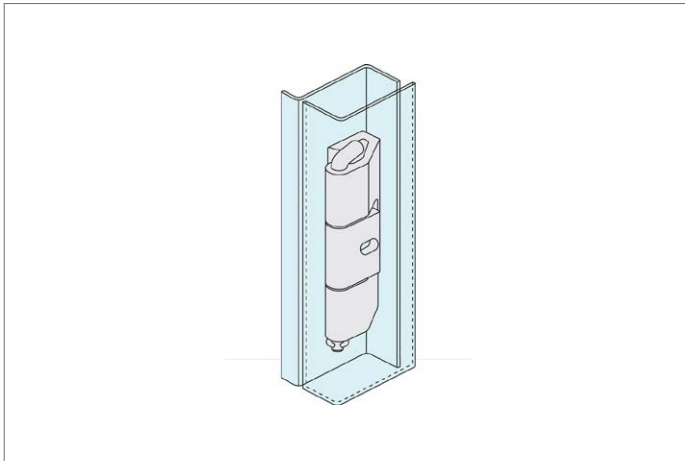
Hinge: die cast zinc.
Pin: steel.
Gasket: polyamide.

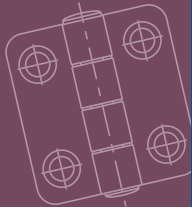
Technical Notes

Suited to sheet metal and machine enclos-

ures with a 22mm door return. Main body mounted via two M4 screws, hinge plate welded to frame. Removable hinge pin enables easy installation, and is held in place via circlip. Max. opening angle 110°.

| Order No. | Door return | Size | F _x N | F _y N | mc min. | ts panel thickness |
|--------------|-------------|----------------|---------------------|---------------------|------------|--------------------|
| S2153.AW0022 | 22 | 60 x 33,5 x 22 | 720 | 830 | 3 | 2 |

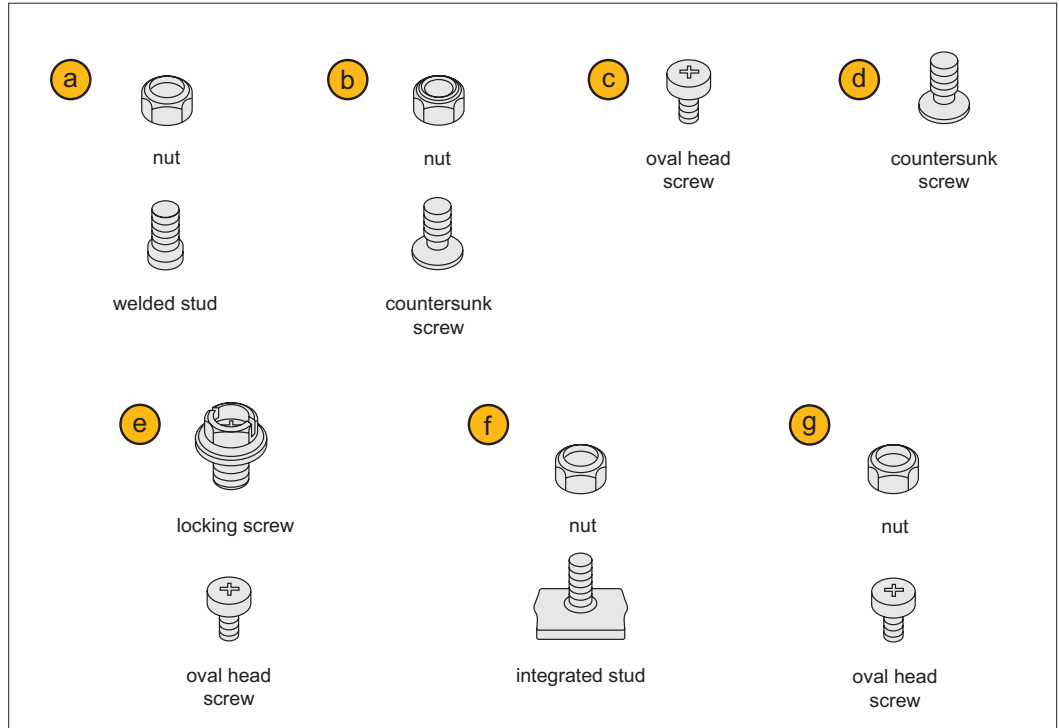




A variety of mounting methods are available!

Mounting combinations

Wixroyd concealed hinges can be mounted in a variety of ways using additional nuts and bolts.



Important Note: Refer to individual product pages for suitable mounting options. If you have any problems please contact our Technical Sales Team.

Mounting example

In the example, mounting option ②, a nut with a countersunk screw, is used to mount the hinge onto the enclosure body.

