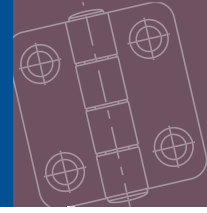


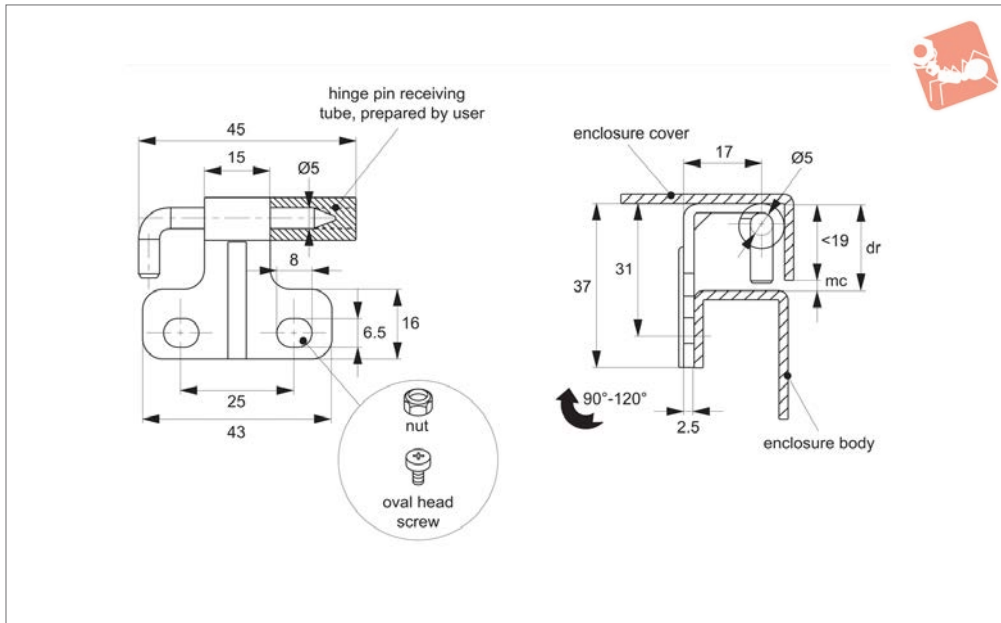


Concealed Pivot Hinges - Lift Off

21mm door return - weld and oval head screw - steel



Hinges



S2176

HINGES

Material

Hinge: steel, black powder coated.
Pin: steel, white zinc plated.

Technical Notes

Suited to sheet metal and machine enclosures with a 21mm door return. Main body mounted via two M6 screws, hinge plate

welded to frame (copper plated for improved welding).
Opening angle: 120°.

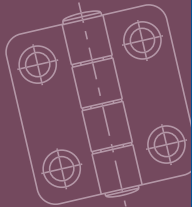
Important Notes

Female hinge installation requires user to prepare a welded tube to receive pin: min. dia. 5mm.

dr= Maximum door return suitable for use with hinge.

mc= Minimum clearance advised between enclosure cover and body to ensure smooth, full opening of enclosure cover.

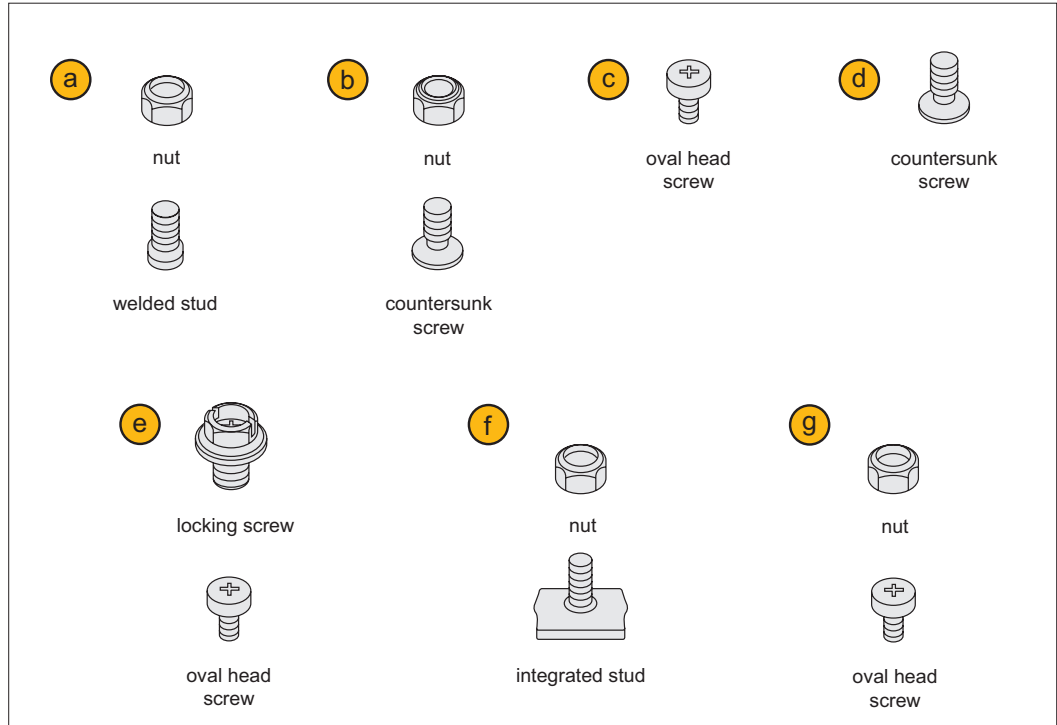
Order No.	Door return	Size	F _x N	F _y N	mc min.	ts panel thickness
S2176.AW0021	21	43 x 19,5 x 21	360	105	2	2



A variety of mounting methods are available!

Mounting combinations

Wixroyd concealed hinges can be mounted in a variety of ways using additional nuts and bolts.



Important Note: Refer to individual product pages for suitable mounting options. If you have any problems please contact our Technical Sales Team.

Mounting example

In the example, mounting option ②, a nut with a countersunk screw, is used to mount the hinge onto the enclosure body.

