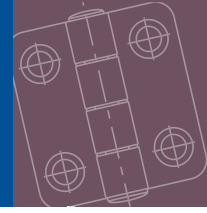


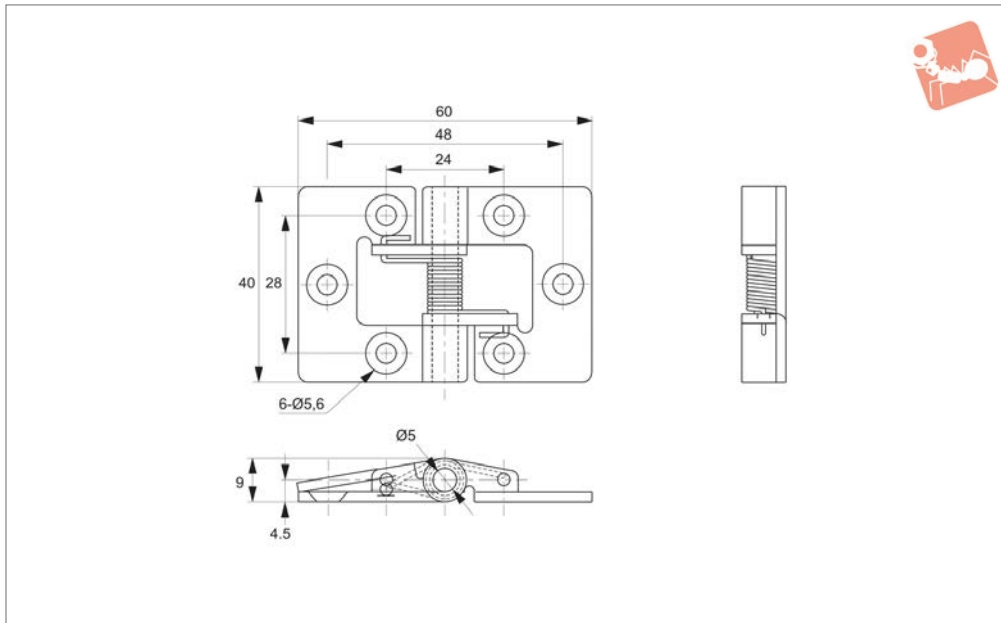


Spring Hinges - High Tension

screw mount - stainless



Hinges



S4200

HINGES

Material

Stainless steel, AISI 304, polished finish.

opening type - spring works to keep door/
panel open; closing type - spring works to
close the door/panel.

Technical Notes

Two spring tension types available;

Order No.	Spring tension	Hand	Weight g
S4200.AC0010	Closing	Left	41
S4200.AC0110	Opening	Left	41
S4200.AC0020	Closing	Right	41
S4200.AC0120	Opening	Right	41

