

**E4000**

CATCHES & LATCHES

**Material**

Body: zinc alloy, chrome finish.  
Ball: ball bearing stainless steel.

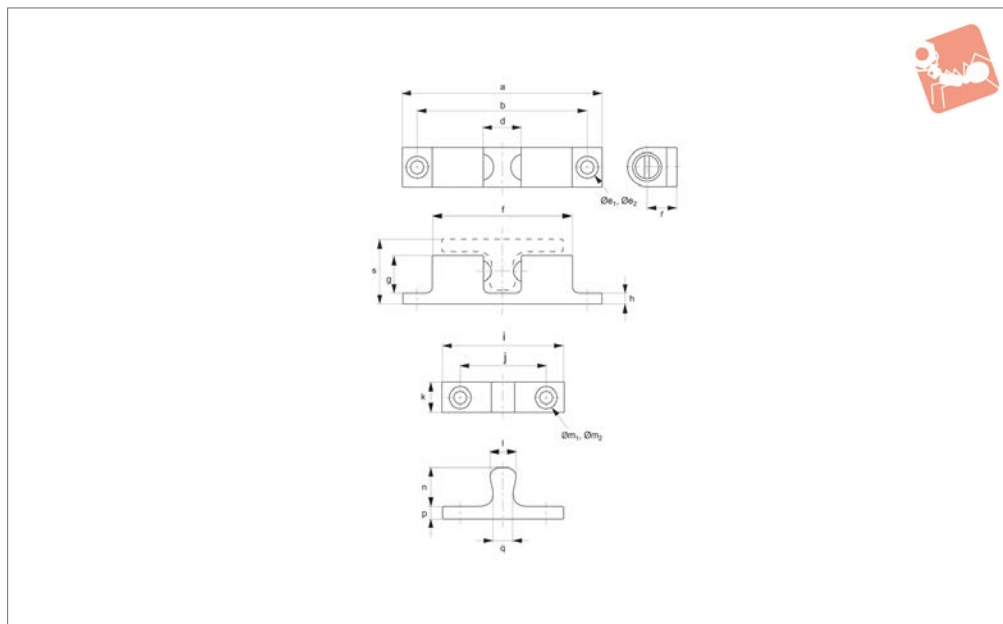
Order No.	Push in force kgf		Pulling force kgf		a	b	c	d	Ø e <sub>1</sub>	Ø e <sub>2</sub>	Weight g			
E4000.AC0040	4.4		3.0		42.5	35	8.0	6.3	3.2	6.2	16			
E4000.AC0050	4.1		3.3		50.0	40	10.0	8.4	4.2	8.2	26			
E4000.AC0070	4.6		3.5		70.0	60	13.5	13.0	4.2	8.2	70			

Order No.	f	g	h	i	j	k	l	Ø m <sub>1</sub>	Ø m <sub>2</sub>	n	p	q	r	s
E4000.AC0040	26.7	7.5	2.5	25	16	7.5	5.5	3.2	6.2	8.8	2.5	3.7	6.5	14.0
E4000.AC0050	29.8	9.5	3.0	30	20	9.0	7.3	4.2	8.2	9.8	2.5	4.7	7.4	16.0
E4000.AC0070	49.0	13.0	4.0	42	30	10.5	11.0	4.2	8.2	14.2	3.0	8.2	11.0	21.2



## E4100



### Material

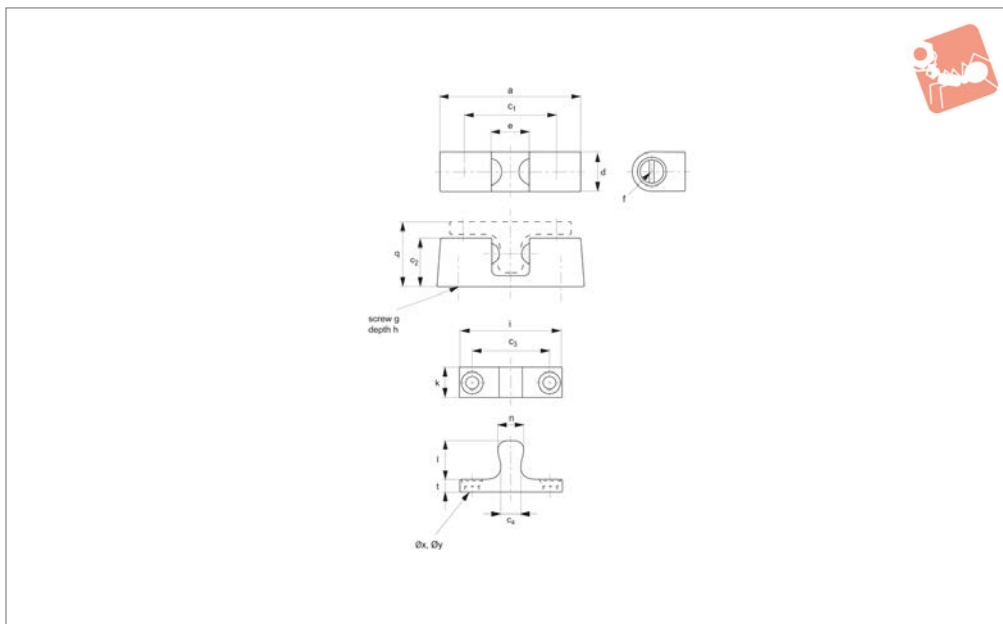
Body: stainless steel, AISI 316, polished.

Ball: ball bearing stainless steel.

Order No.	Push in force kgf		Pulling force kgf		a	b	c	d	e <sub>1</sub>	e <sub>2</sub>	Weight g			
E4100.AC0040	2.0	1.3	43	35	8	5.9	3.2	6.2	18					
E4100.AC0050	2.3	1.8	50	40	10	7.5	4.2	8.2	30					
E4100.AC0070	5.7	3.9	70	60	13	13.0	4.2	8.2	83					

Order No.	f	g	h	i	j	k	l	m <sub>1</sub>	m <sub>2</sub>	n	p	q	r	s
E4100.AC0040	28.4	7.5	2.5	25	16	7.5	4.5	3.2	6.2	8.5	2.5	2.7	6.0	13.5
E4100.AC0050	31.5	9.3	2.9	30	20	9.0	6.0	4.2	8.2	10.3	2.9	3.8	7.7	15.9
E4100.AC0070	51.0	13.0	4.0	42	30	10.5	10.0	4.2	8.2	15.0	4.0	8.0	10.5	23.0



E4300

CATCHES & LATCHES

**Material**

Body: zinc alloy, chrome finish.  
Ball: ball bearing stainless steel.

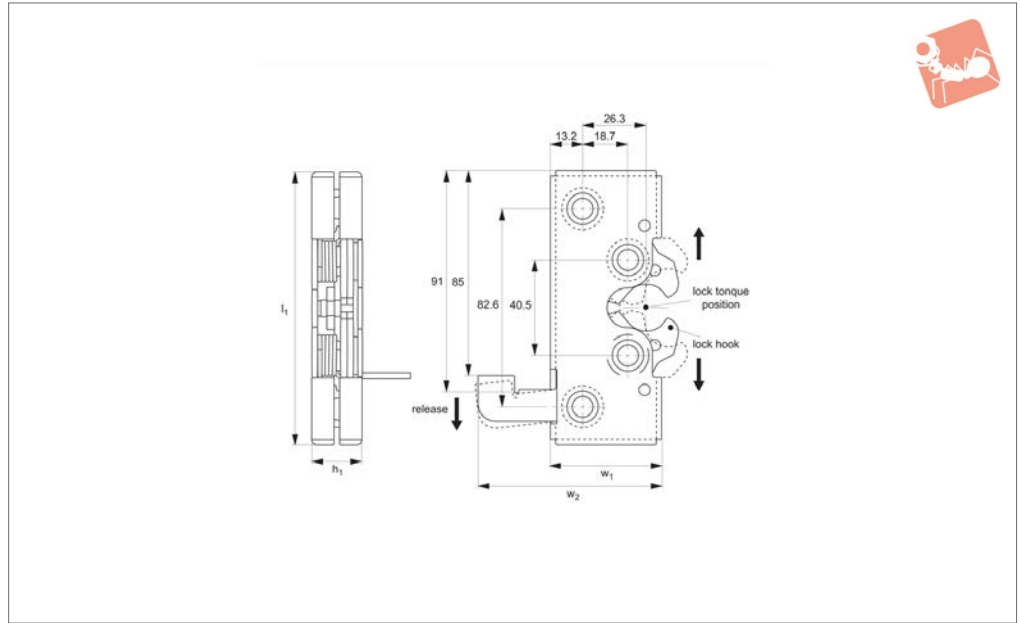
Order No.	Push in force kgf	Pulling force kgf	a	c <sub>1</sub>	c <sub>2</sub>	c <sub>3</sub>	c <sub>4</sub>	d	e	Weight g
E4300.AC0040	3.6	2.4	28.5	20	12.5	16	3.0	8.3	6.5	18
E4300.AC0070	4.1	3.9	48.0	34	20.5	32	7.3	13.5	12.7	75

Order No.	f	g	h	i	k	l	n	q	t	x	y
E4300.AC0040	R4,0	M 3	5	24	8	9	5	15.7	3	3.2	6.2
E4300.AC0070	R6,5	M 5	6	42	11	13	10	24.9	4	4.2	8.2



**E4500**



**Material**  
steel, zinc plated

**Technical Notes**  
Robust latch for doors and panels. The

rotary action of the locking jaws provides secure fastening in a push-to-close action. Suitable for entry doors, engine covers, baggage doors and access panels.

**Tips**  
Push to close. Actuation of lever releases lock hook to allow opening.

Order No.	$h_1$	$l_1$	$w_1$	$w_2$	Load N max.
E4500.AW0010	21	114	46	75.7	10.000