

E2200

CATCHES & LATCHES

Material

Body and catch: ABS Plastic.

door and cabinet frame for push space.
Supplied with screws (3.1x13, 3.5x10).

without unlatching the unit may damage
the mechanism.

Technical Notes

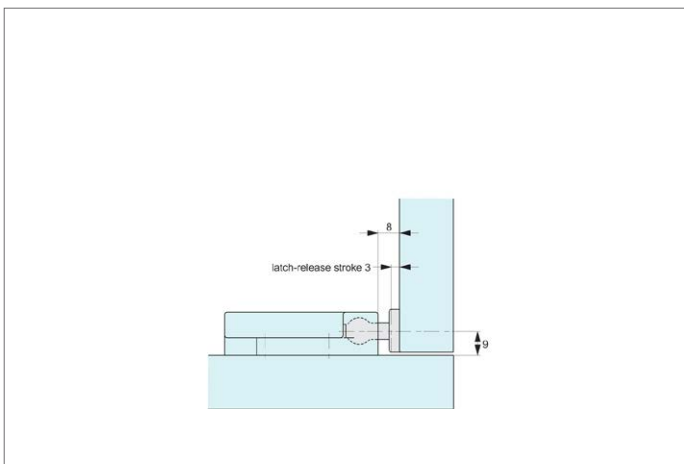
For overlay door allow 3mm gap between

Important Notes

Pulling the door with excessive force

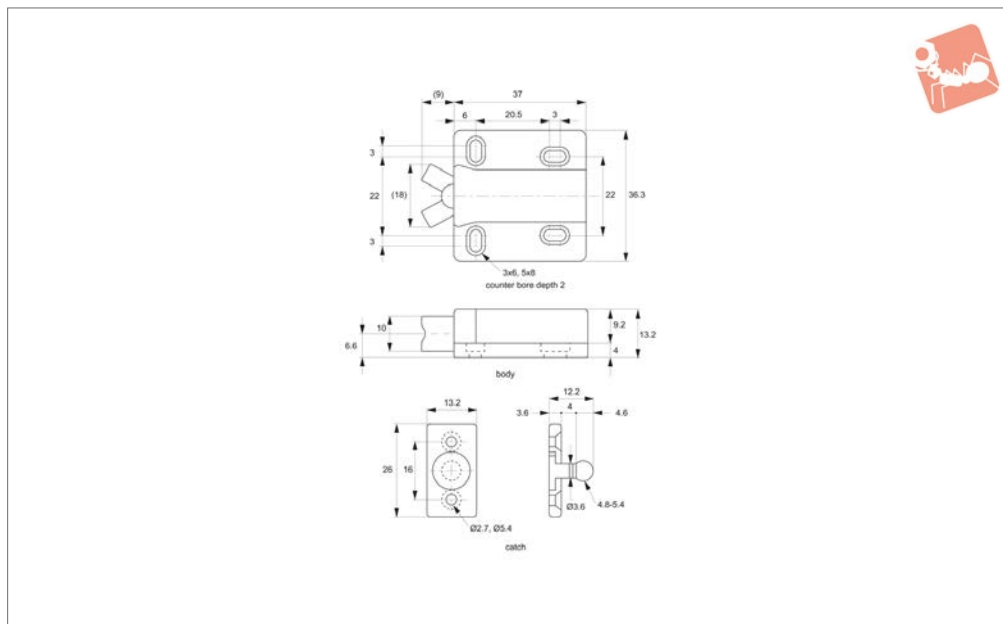
Constant loading of over 4Kgf, either
pushing or pulling, is not recommended.

Order No.	Finish	Retaining force	Weight
E2200.AC0010	White	8 kg	24 g
E2200.AC0020	Black	8	24
E2200.AC0030	Brown	8	24





E2400



Material

Body and catch: ABS plastic.

Technical Notes

For overlay door allow 3mm gap between

door and cabinet frame for push space.
Supplied with screws (2.7x13, 2.4x10).

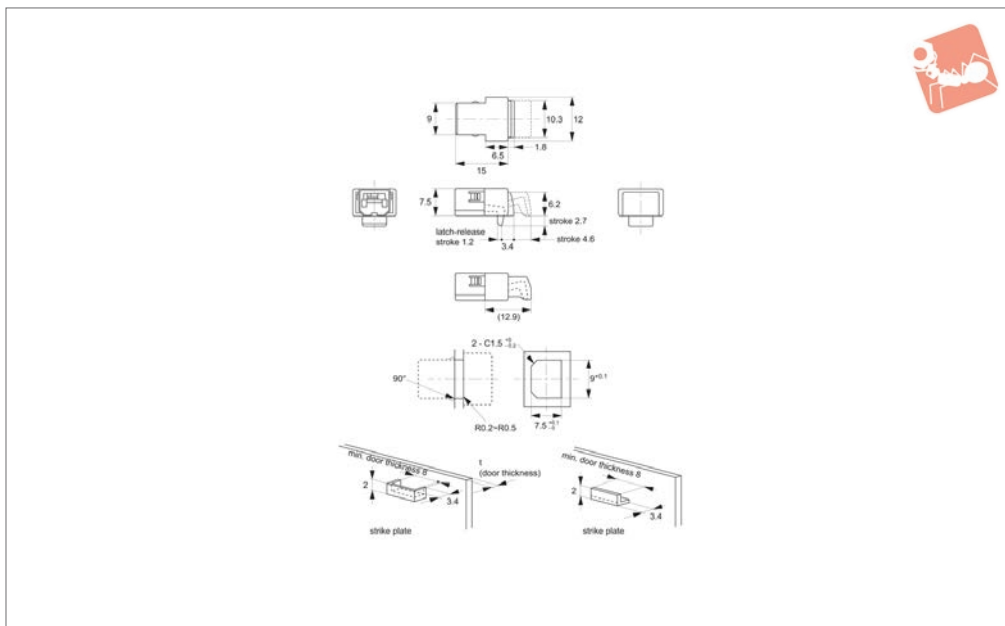
Important Notes

Pulling the door with excessive force

without unlatching the unit may damage
the mechanism.

Constant loading of over 3Kgf, either
pushing or pulling, is not recommended.

Order No.	Finish	Retaining force kgf	Weight g
E2400.AC0020	Black	3	15



E2600

CATCHES & LATCHES

Material

Body: polycarbonate.

Technical Notes

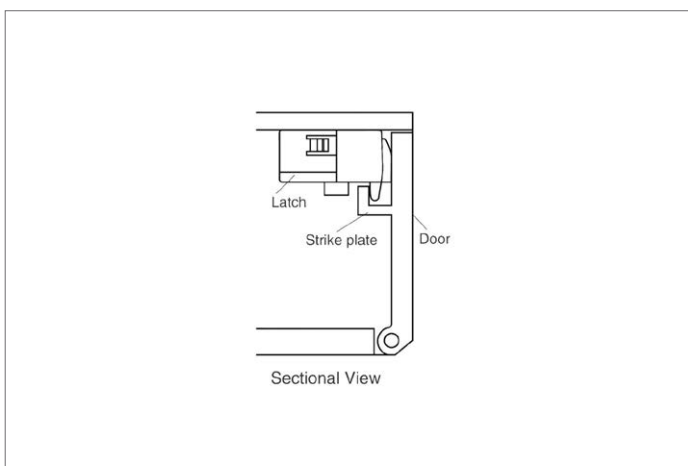
No catch plate supplied. Dimensions shown

of 'Recommended Strike Dimensions' are for your own fabrication of strike to best suit your application.

Order No.
E2600.AC0020

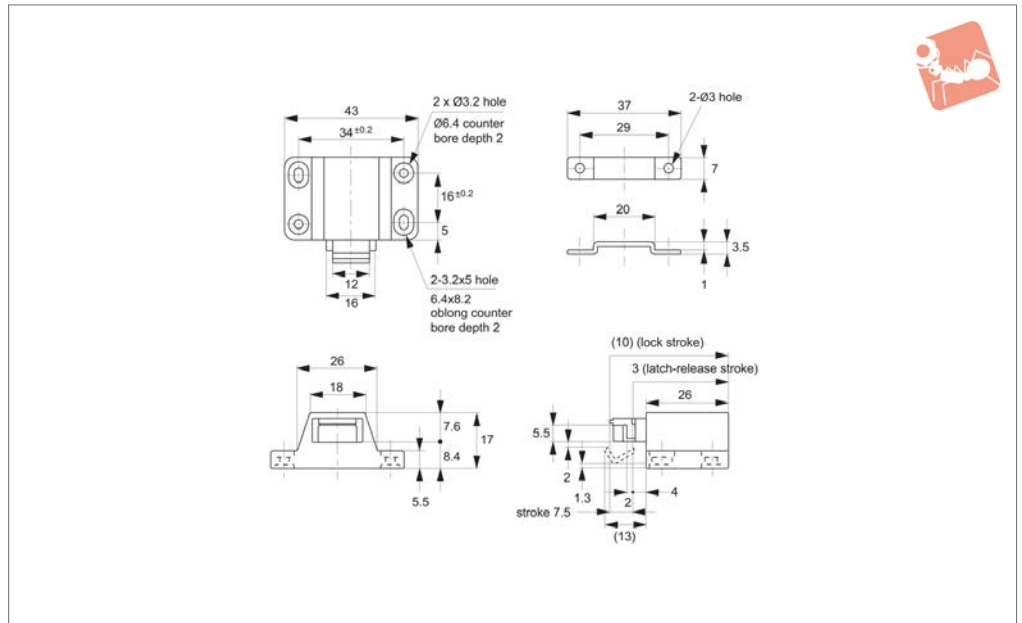
Retaining force
kgf
1

Weight
g
1.1





E2800



Material

Housing: ABS plastic.
Slide: polyacetal.

Strike, arm and yoke: steel.

Technical Notes

Screws not included.

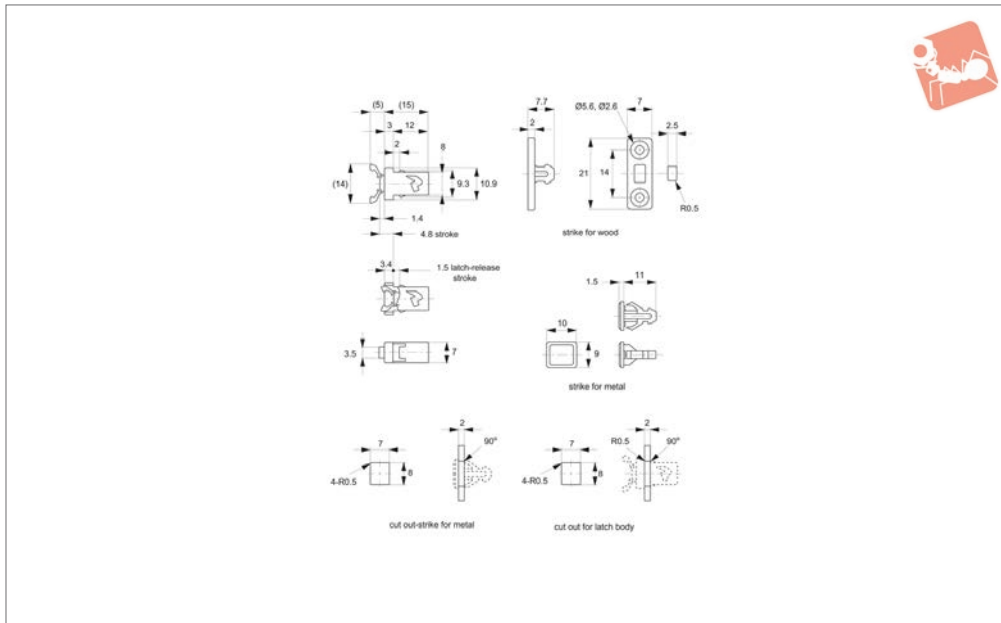
Order No.	Finish	Retaining force kgf	Weight g
E2800.AC0020	Black	10	16.3



Mini Touch Latches

non-magnetic

Catches & Latches



E3000

CATCHES & LATCHES

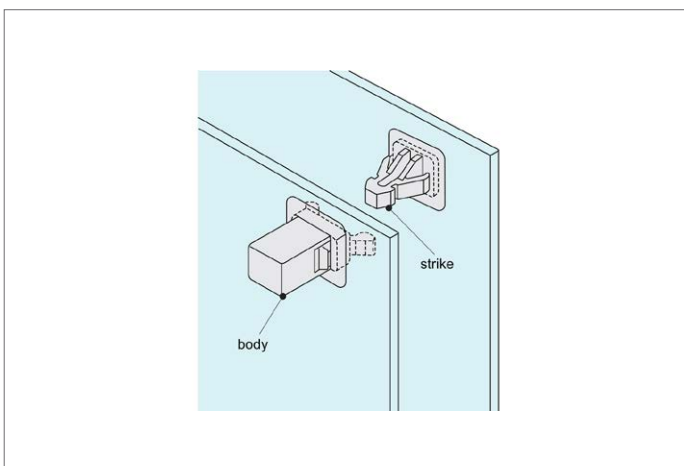
Material

Body: polyacetal.
Strike: polyamide.

Technical Notes

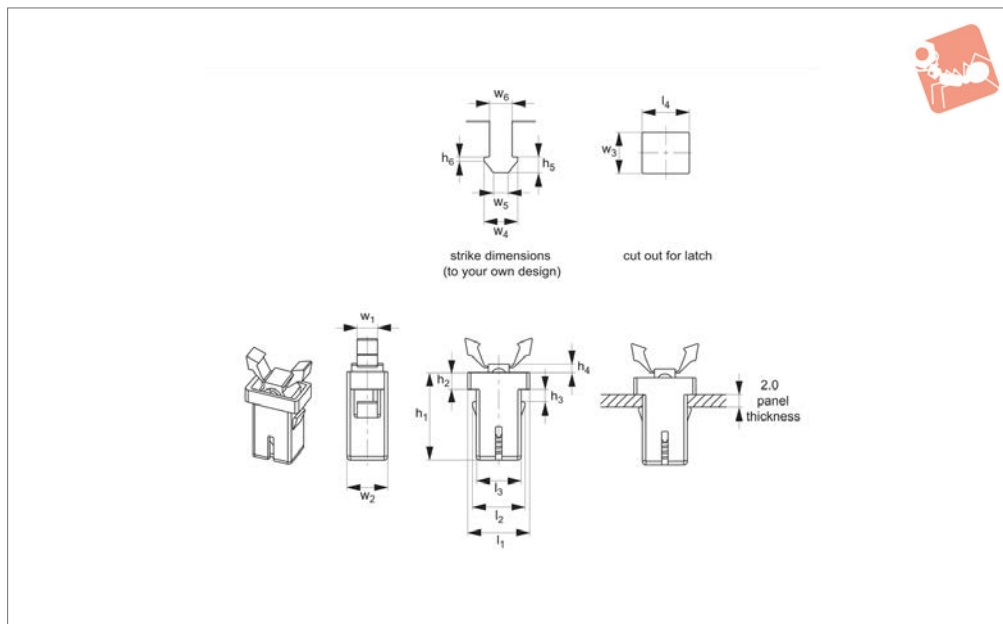
Strikes ordered separately. Screws not included.

Order No.	Type	Retaining force kgf	Weight g
E3000.AC0020	Latch	1.2	0.7
E3000.AC0022	Strike for Wood	-	0.2
E3000.AC0024	Strike for Metal	-	0.2





E3010



Material

Nylon and Polyacetal (POM)

Technical Notes

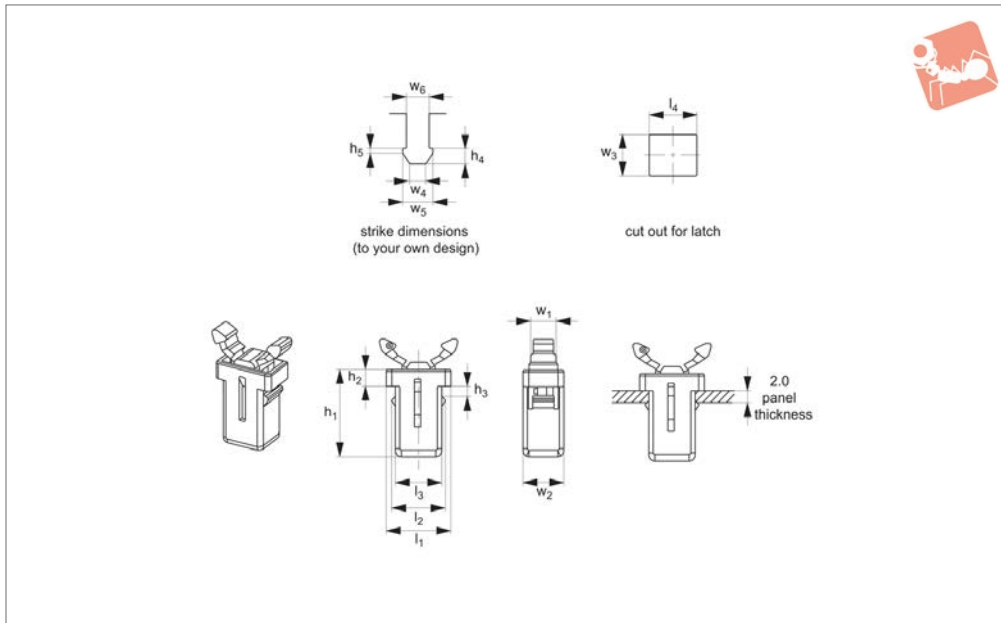
Strikes not supplied. Dimensions shown

are for your own fabrication of strike to best suit your application. Suitable for panel thickness 2,0mm

Tips

Subject to minimum order quantity.

Order No.	l_1	h_1	l_2	l_3	l_4	h_2	h_3	h_4
E3010.AC0010	10.9	14.9	9.2	7.9	8	2.9	2	1.5
Order No.	h_5	h_6	w_1	w_2	w_3	w_4	w_5	w_6
E3010.AC0010	2.6	0.6	3.5	6.9	7	5.3	2.6	4



E3012

CATCHES & LATCHES

Material

Nylon and Polyacetal (POM)

are for your own fabrication of strike to best sort your application.
Suitable for panel thickness 2,0mm

Tips

Subject to minimum order quantity.

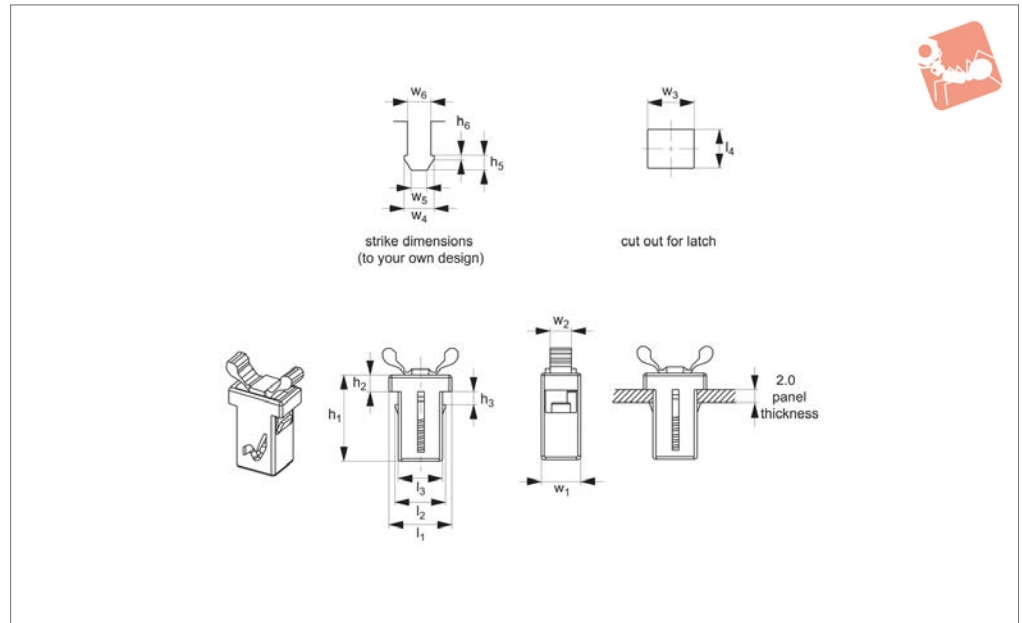
Technical Notes

Strikes not supplied. Dimensions shown

Order No.	l_1	h_1	l_2	l_3	l_4	h_2	h_3	h_4	h_5	w_1	w_2	w_3	w_4	w_5	w_6
E3012.AC0010	11.08	15	9.2	7.9	8.0	3	2	2.6	0.6	4.6	6.9	7	5.3	2.6	4.0



E3014



Material

Nylon and Polyacetal (POM)

Technical Notes

Strikes not supplied. Dimensions shown

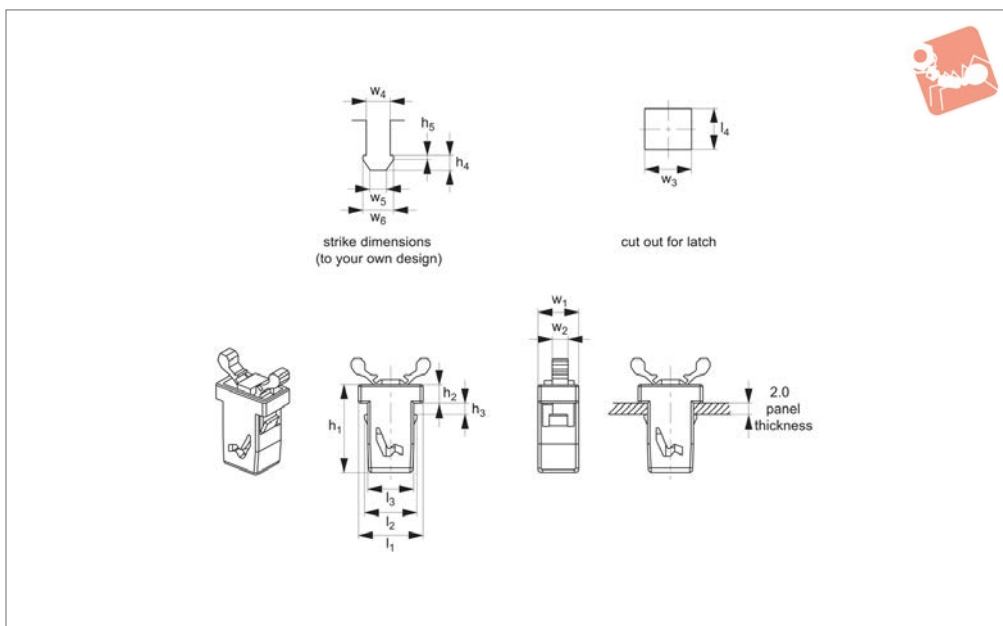
are for your own fabrication of strike to best suit your application.

Suitable for panel thickness 2,1mm

Tips

Subject to minimum order quantity.

Order No.	l_1	h_1	l_2	l_3	l_4	h_2	h_3	h_5	h_6	w_1	w_2	w_3	w_4	w_5	w_6
E3014.AC0010	11	14.8	9.17	7.9	7	2.9	2.1	2.6	0.6	6.9	3.75	8	5.2	2.5	4.2



E3016

CATCHES & LATCHES

Material

Nylon and Polyacetal (POM)

Technical Notes

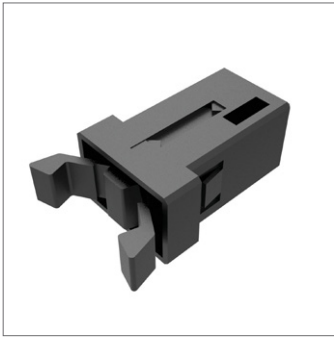
Strikes not supplied. Dimensions shown

are for your own fabrication of strike to best sort your application. Suitable for panel thickness 2,0mm

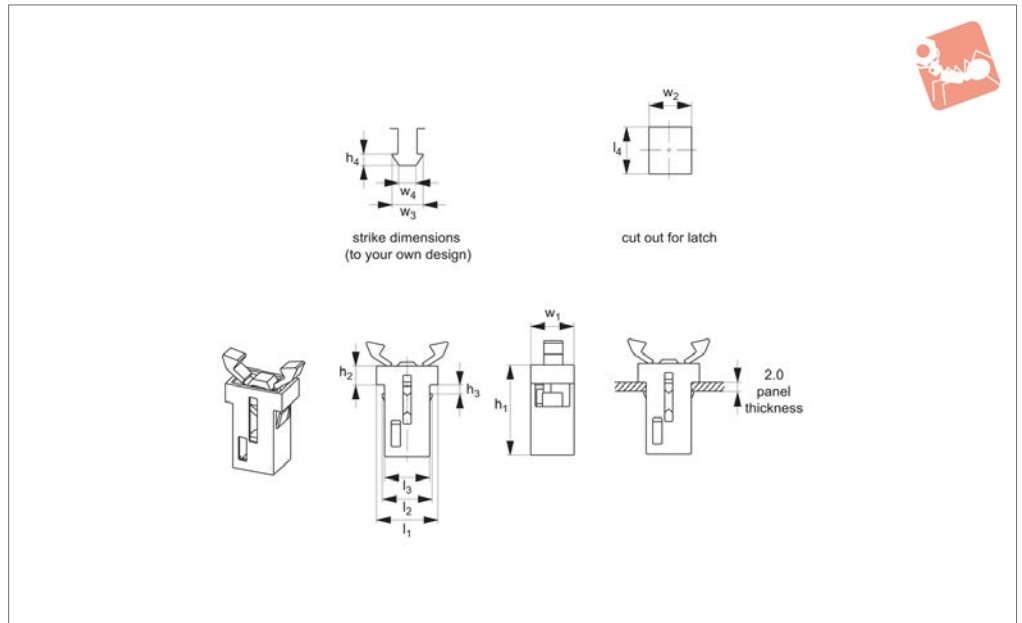
Tips

Subject to minimum order quantity.

Order No.	l_1	h_1	l_2	l_3	l_4	h_2	h_3	h_4	h_5	w_1	w_2	w_3	w_4	w_5	w_6
E3016.AC0010	10.9	14.8	8.9	7.9	7	3.05	2	2.6	0.6	6.9	2.7	8.0	4.2	2.50	5.2



E3030



Material

Nylon and Polyacetal (POM)

Technical Notes

Strikes not supplied. Dimensions shown

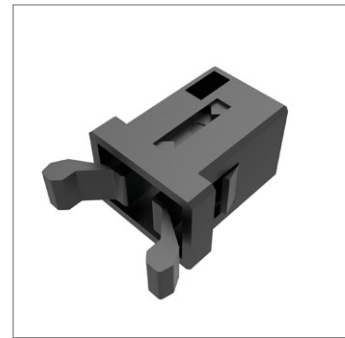
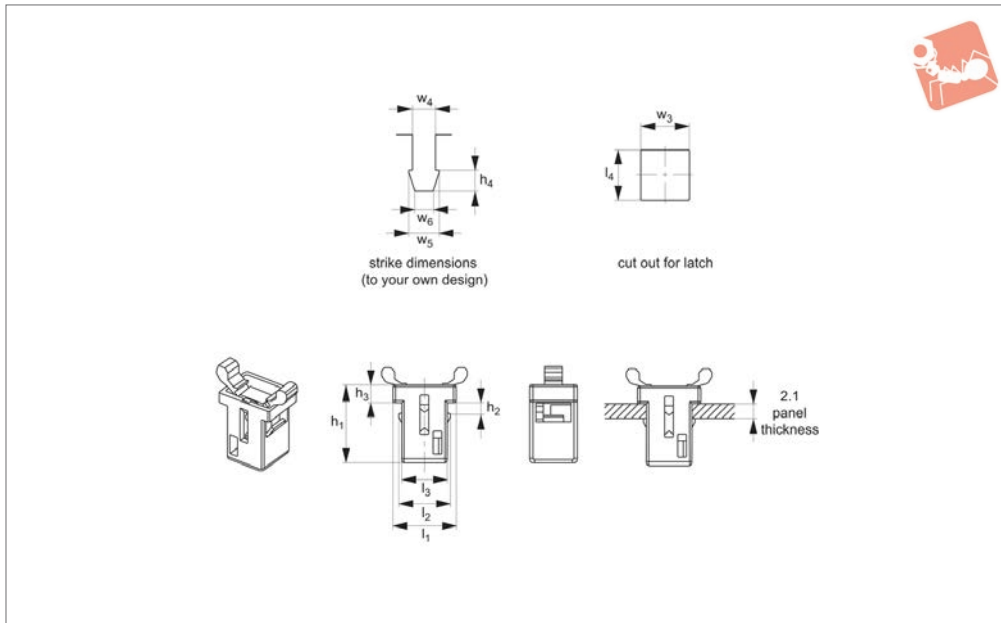
are for your own fabrication of strike to best suit your application.

Suitable for panel thickness 2,0mm

Tips

Subject to minimum order quantity.

Order No.	l_1	h_1	l_2	l_3	l_4	h_2	h_3	h_4	w_1	w_2	w_3	w_4
E3030.AC0010	14	20.5	11.5	10.5	10.7	4.4	2	2.6	9.7	9.8	7	3.5



E3040

CATCHES & LATCHES

Material

Nylon and Polyacetal (POM)

are for your own fabrication of strike to best sort your application.

Suitable for panel thickness 2,1mm

Tips

Subject to minimum order quantity.

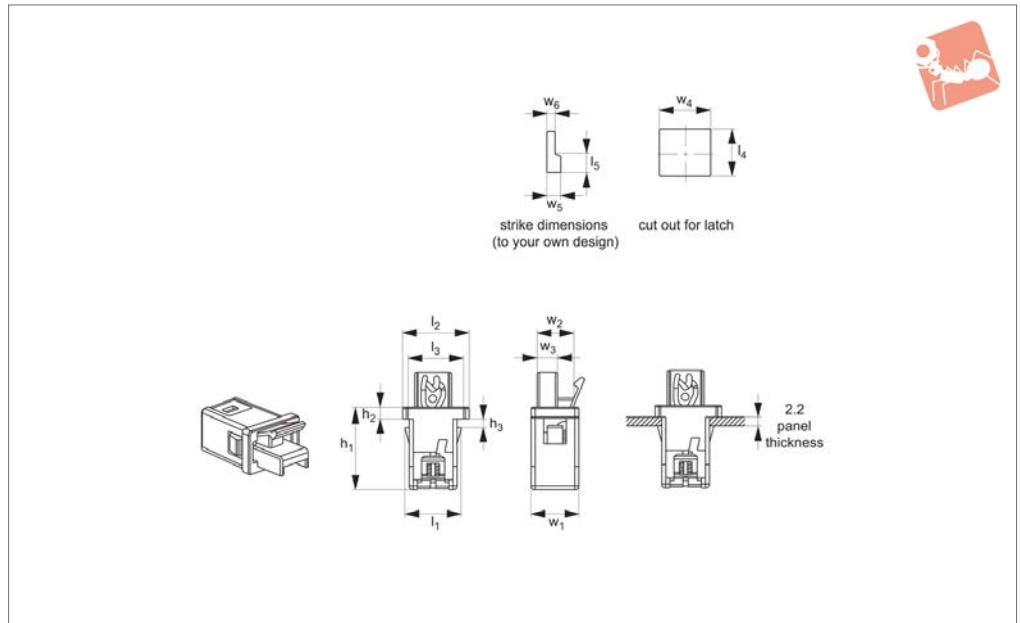
Technical Notes

Strikes not supplied. Dimensions shown

Order No.	l_1	h_1	l_2	l_3	l_4	h_2	h_3	h_4	w_1	w_2	w_3	w_4	w_5	w_6
E3040.AC0010	9	10.8	7.7	6.8	7	2.1	2	3.0	6.9	2.7	6.9	3.5	4.5	2.4



E3050



Material

Nylon and Polyacetal (POM)

Technical Notes

Strikes not supplied. Dimensions shown

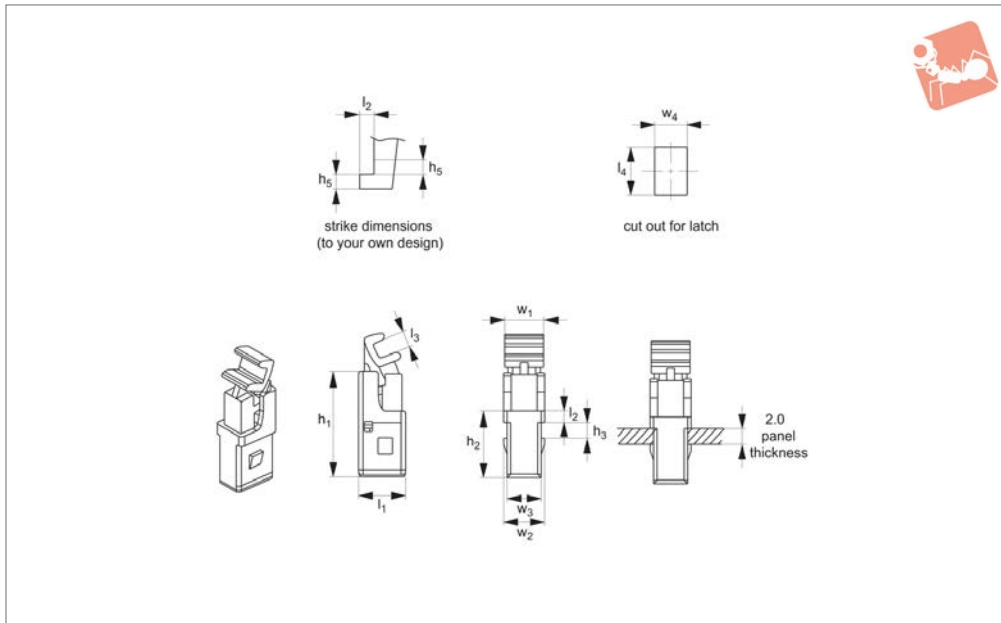
are for your own fabrication of strike to best suit your application.

Suitable for panel thickness 2,2mm

Tips

Subject to minimum order quantity.

Order No.	l_1	h_1	l_2	l_3	l_4	l_5	h_2	h_3	w_1	w_2	w_3	w_4	w_5	w_6
E3050.AC0010	14.4	21.1	17.2	12.8	12.1	4	3.0	2.2	12	9	5.15	12.9	3	1.7



E3052

CATCHES & LATCHES

Material

Nylon and Polyacetal (POM)

Technical Notes

Strikes not supplied. Dimensions shown

are for your own fabrication of strike to best sort your application. Suitable for panel thickness 2,0mm

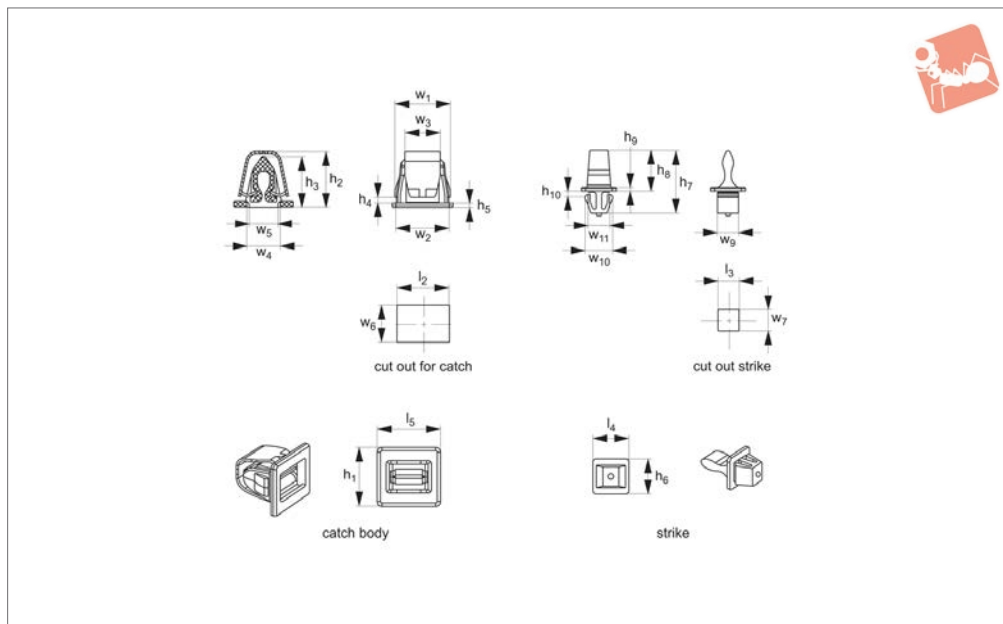
Tips

Subject to minimum order quantity.

Order No.	l_1	h_1	l_2	l_3	l_4	h_2	h_3	h_4	h_5	w_1	w_2	w_3	w_4
E3052.AC0010	6.5	14.2	2.0	2.10	6.60	9.0	2.0	1.5	1.8	5.2	5.3	4.3	4.4



E3070



Material

Catch and strike body: Polyacetal (POM)
Strike outer spring: Steel

Suitable for panel thickness 0,8-1,6mm

Tips

Subject to minimum order quantity.

Technical Notes

Catch body and strike supplied as pair.

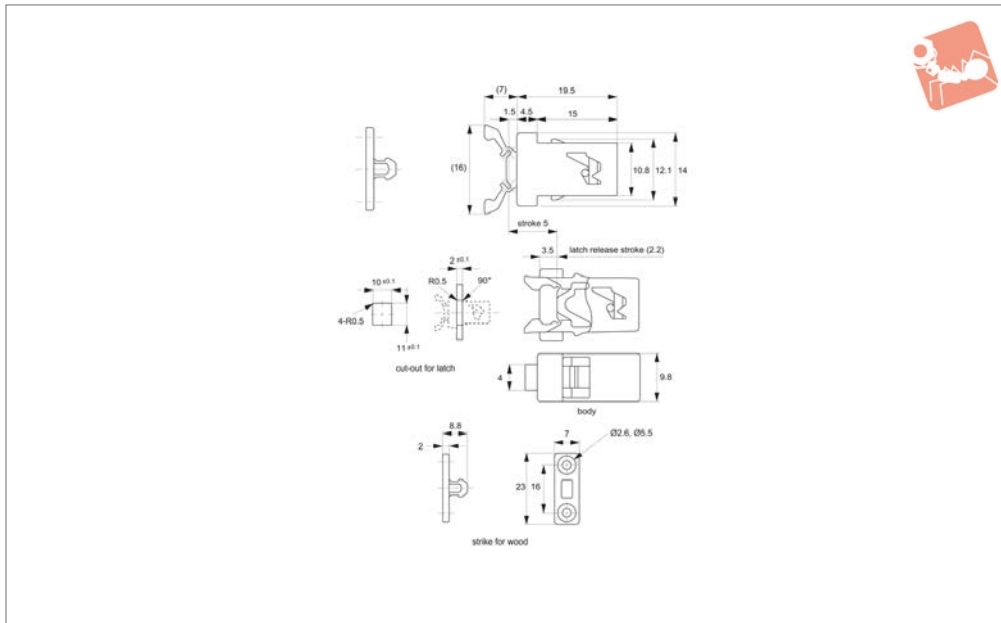
Order No.	l_1	h_1	l_2	l_3	l_4	h_2	h_3	h_4	h_5	h_6	h_7	
E3070.AC0010	19.7	18.0	16.7	7.2	11.0	17.2	16.2	1.8	1.5	11.3	20.0	
Order No.	h_8	h_9	h_{10}	w_1	w_2	w_3	w_5	w_6	w_7	w_9	w_{10}	w_{11}
E3070.AC0010	13.0	1.4	1.6	18.0	16.7	11.3	10.0	13.0	7.2	7	9.1	7.0



Mini Touch Latches

non-magnetic

Catches & Latches



E3200

CATCHES & LATCHES

Material

Body: polycarbonate.
Spring: stainless steel, AISI 304.

Strike: nylon.

included.

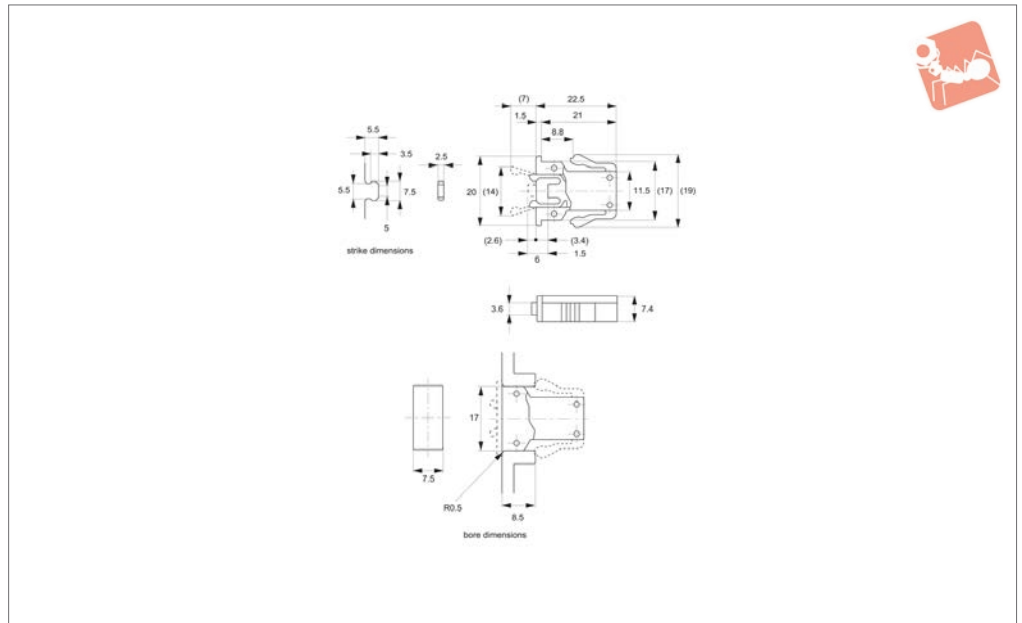
Technical Notes

Strikes ordered separately. Screws not

Order No.	Type	Retaining force kg	Weight g
E3200.AC0020	Latch	3.5	2.3
E3200.AC0022	Strike for Wood	3.5	0.2



E3400



Material

Body: ABS plastic.
Strike: polyamide.

Technical Notes

Strike not supplied. Dimensions shown are for your own fabrication of strike to best

suit your application.

Order No.

E3400.AC0020

Finish

Black

Weight

g
2.5