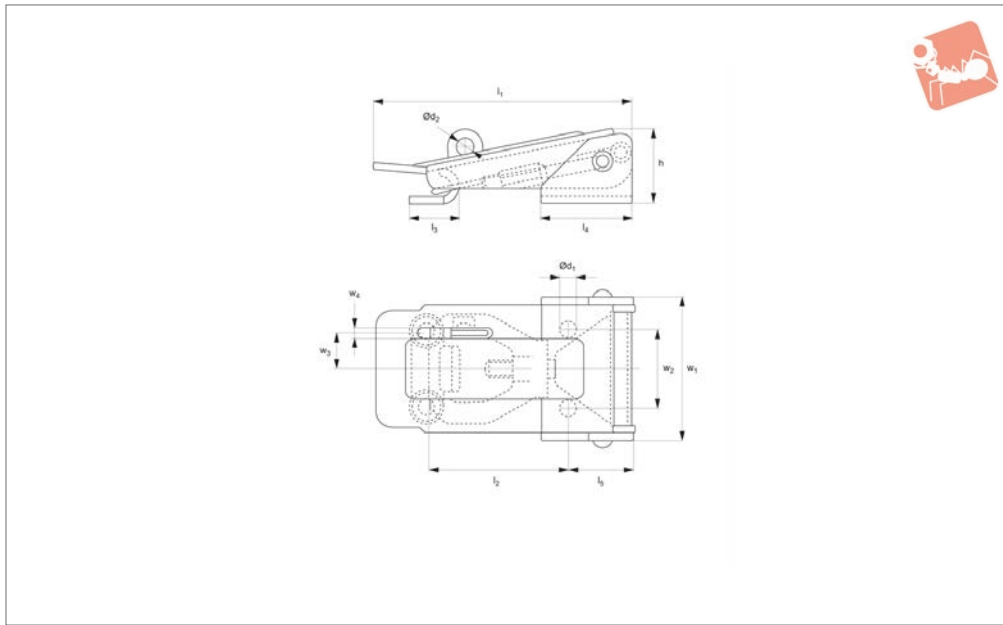




Toggle Latches

adjustable with padlock hasp.

Draw Latches



J0562

DRAW LATCHES

Material

Steel, Fe P02 + P12, UNI5866, zinc plated.

Technical Notes

Supplied with counter strike.

Draw length adjustable through turns of threaded draw rod, giving 12mm length of adjustment.
Use padlock of 6mm dia. or less.

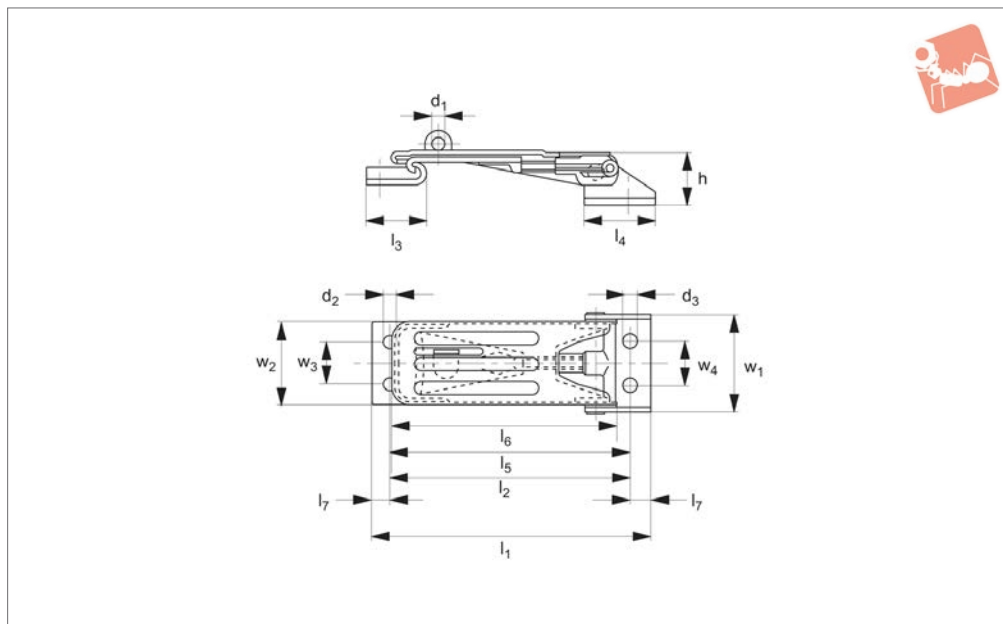
Order No.	Finish	l_1	h	w_1	$\varnothing d_1$	$\varnothing d_2$	l_2	Weight g
J0562.AC0004	Zinc Plated Steel	88	26	48.5	5.5	6	48 to 60	170
Order No.	l_3	l_4	l_5	w_2	w_3	w_4	Load N max.	Tension N max.
J0562.AC0004	17	31	22	26	12	1.5	1500	3000



DRAW LATCHES



J0590



Material

Steel, Fe P02 + P12, UNI5866, zinc plated.

Technical Notes

Supplied with counter strike.

Draw length adjustable through turns of threaded draw rod, giving 12mm length of adjustment.
Use padlock of 6mm dia. or less.

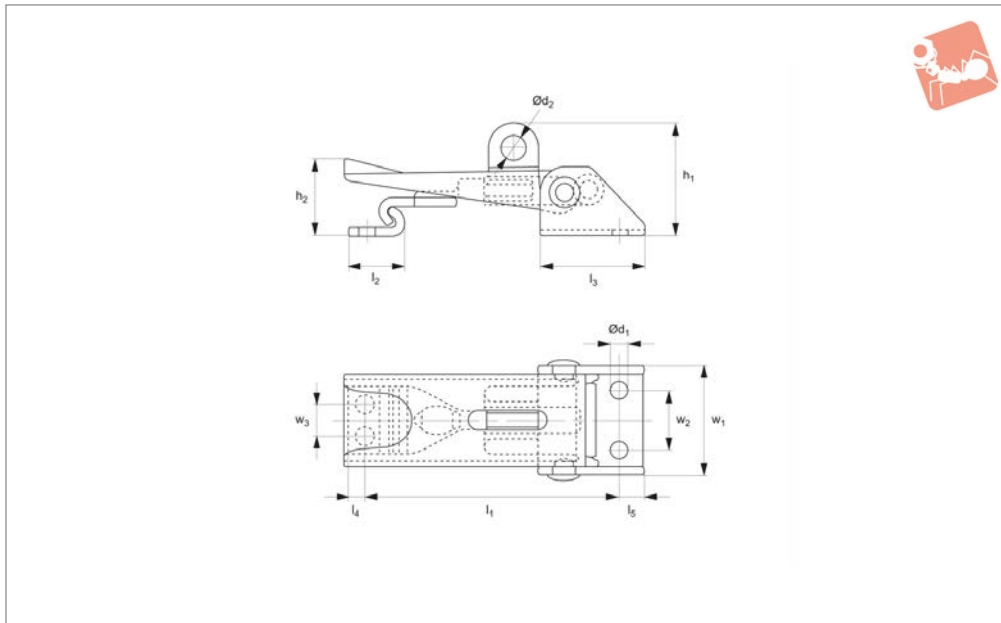
Order No.	Finish	l_1	h	w_1	d_1	$\varnothing d_2$	$\varnothing d_3$	l_2	l_3	Weight g
J0590.AC0008	Zinc Plated	135 to 150	23	45.5	6	6.6	7.1	115 to 130	30.7	190
Order No.	l_4	l_5	l_6	l_7	w_2	w_3	w_4	Load N max.	Tension N max.	
J0590.AC0008	35	131.5	114	10	40	22	22	2000	4000	



Toggle Latches

adjustable with padlock shackle, **stainless steel**

Draw Latches



J0602

DRAW LATCHES

Material

Steel, Fe P02 + P12, UNI5866, zinc plated.
Or stainless steel AISI 304, UNI x5crNi.

Draw length adjustable through turns of threaded draw rod, giving 10mm length of adjustment.

Technical Notes

Supplied with counter strike.

Use padlock of 6mm dia. or less.

Order No.	Finish	l_1	h_1	w_1	$\varnothing d_1$	$\varnothing d_2$	h_2	Weight g
J0602.AC0008	Zinc Plated	60 to 70	27	25.5	4.2	6	18	55
J0602.AC0030	Stainless Steel	60 to 70	27	25.5	4.2	6	18	55

Order No.	l_2	l_3	l_4	l_5	w_2	w_3	Load N max.	Tension N max.
J0602.AC0008	14	25	4	6	14	8	1000	1400
J0602.AC0030	14	25	4	6	14	8	1000	1400