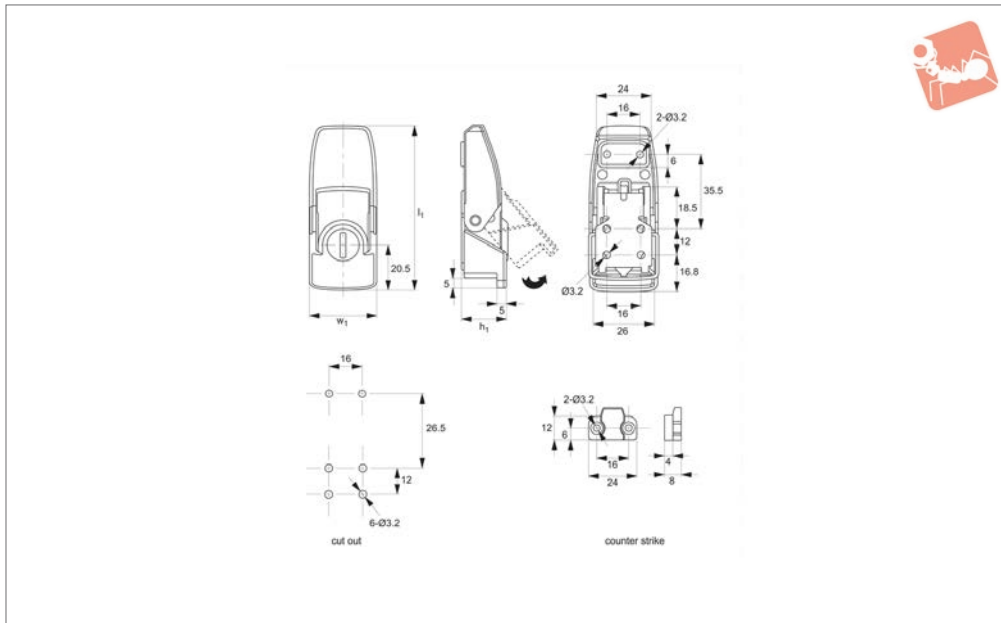




Draw Latches - with Lock

zinc

Draw Latches



J0200

DRAW LATCHES

Material

Housing and Strike: die cast zinc.
Bracket: stainless steel.

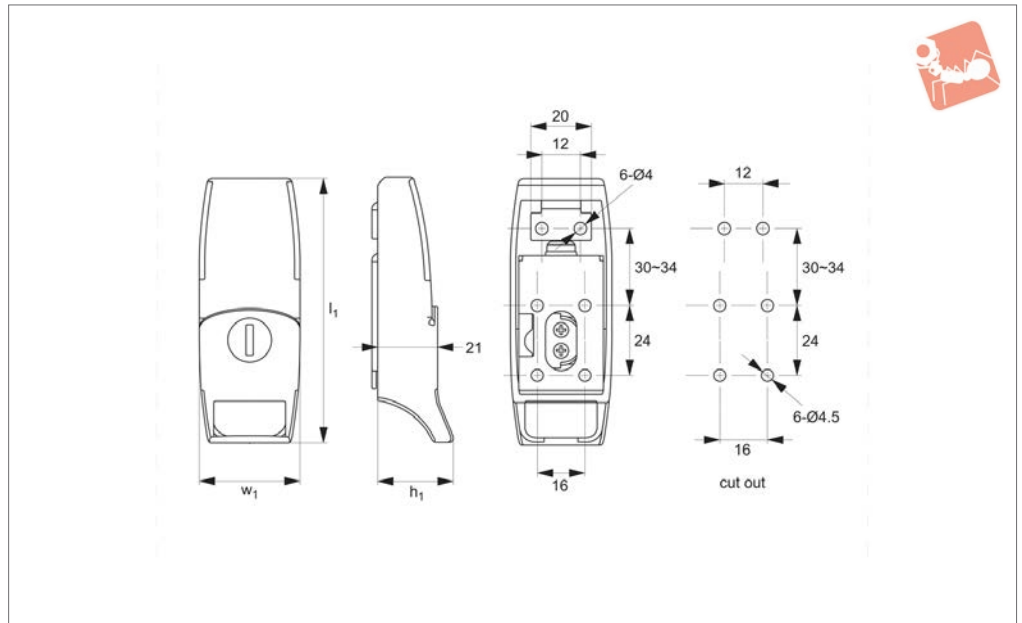
Supplied with: Keys: two per lock.

Not supplied: Fixing screws.

Order No.	Type	Finish	l ₁	h ₁	w ₁
J0200.AW0010	With Lock	Chrome Plated	76	21	32
J0200.AW0020	With Lock	Black Coated	76	21	32
J0200.AW0310	Blank - No Lock	Chrome Plated	76	21	32
J0200.AW0320	Blank - No Lock	Black Coated	76	21	32



J0220



Material

Housing and Strike: die cast zinc, black powder coated.

Bracket and strike: stainless steel.

Supplied with: Keys: two per lock.

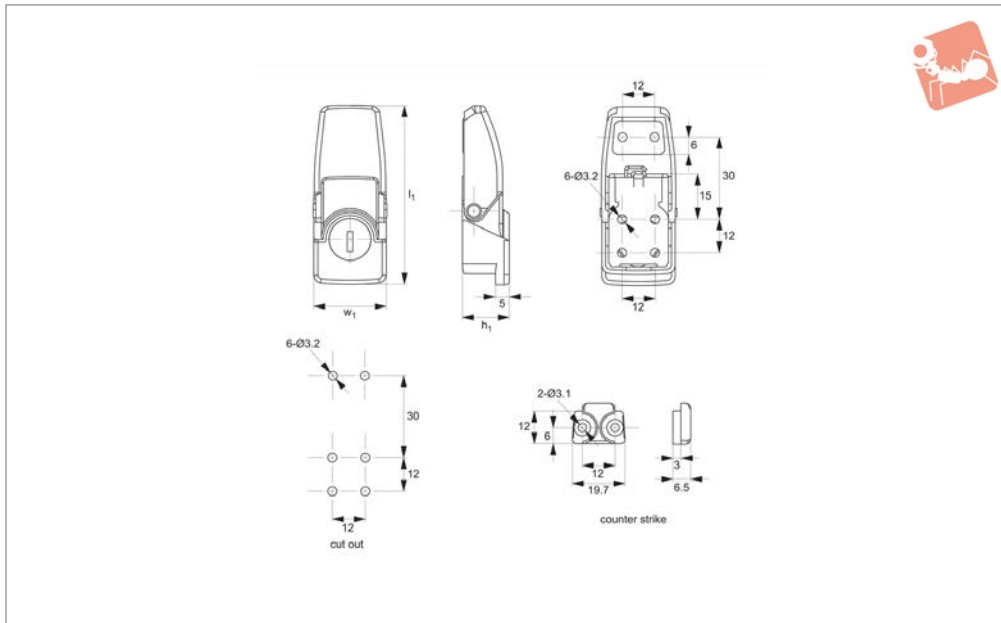
Order No.	Finish	l_1	h_1	w_1
J0220.AW0010	Black Coated	92	25	36



Draw Latches - with Lock

zinc

Draw Latches



J0240

DRAW LATCHES

Material

Housing and Strike: die cast zinc, black powder coated.

Bracket: stainless steel.

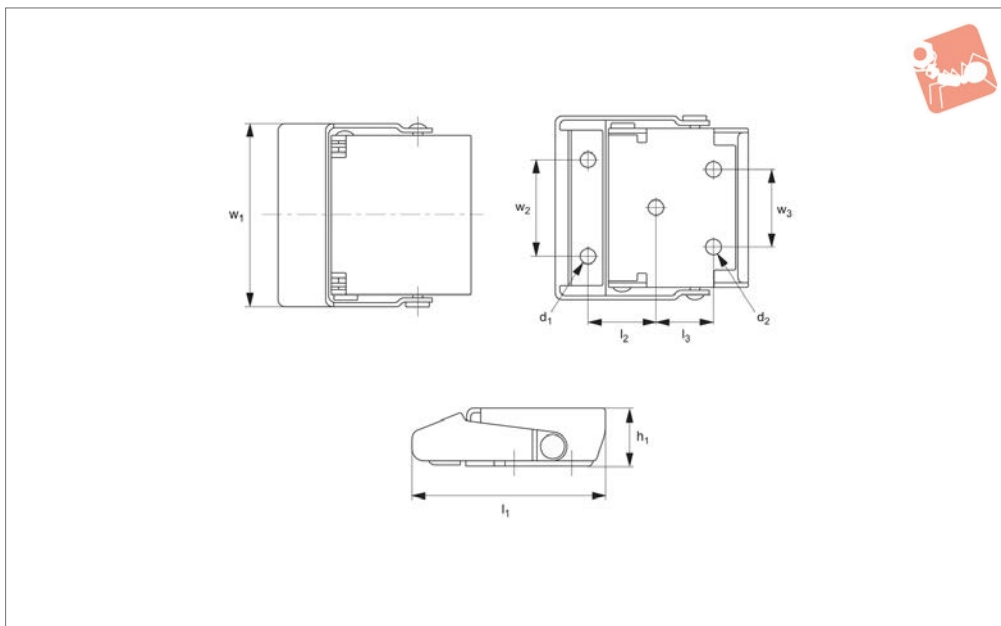
Supplied with: Keys: two per lock.

Not supplied: Fixing screws.

Order No.	Type	l_1	Material	h_2	w_2
J0240.AW0010	With Lock	64.5	Chrome Plated	16.5	26.5
J0240.AW0020	With Lock	64.5	Black Coated	16.5	26.5
J0240.AW0310	Blank - No Lock	64.5	Chrome Plated	16.5	26.5
J0240.AW0320	Blank - No Lock	64.5	Black Coated	16.5	26.5



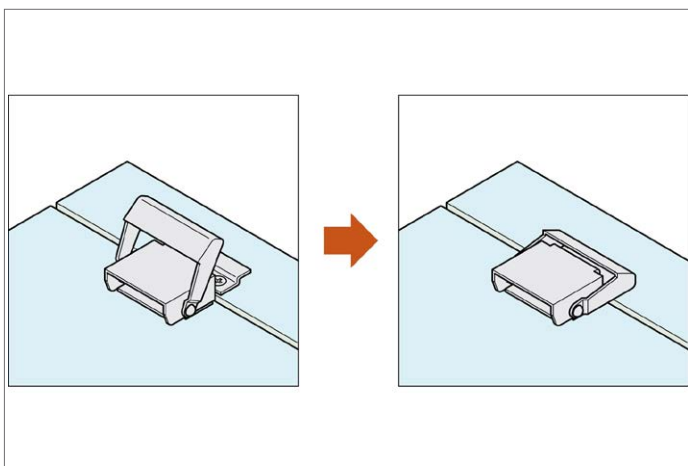
J0320

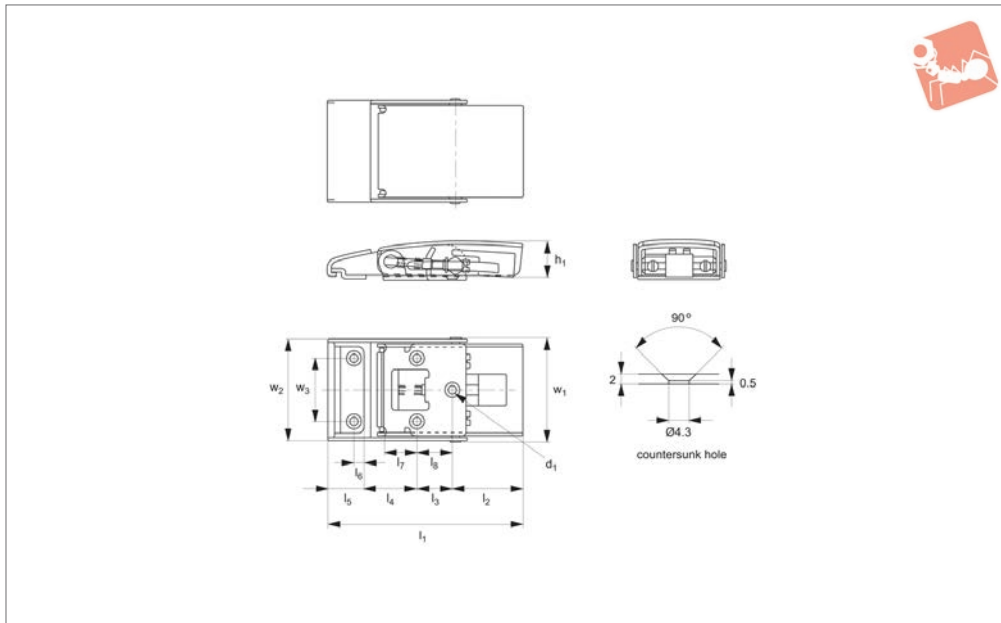


Material

All parts from stainless steel, AISI 304, satin finish. Fixing screws not included.

Order No.	l_1	h_1	w_1	$\varnothing d_1$	$\varnothing d_2$	l_2	l_3	w_2	w_3	Weight g
J0320.AC0030	40	12	33	3.2	Ø3,2	14	12	20	16	30





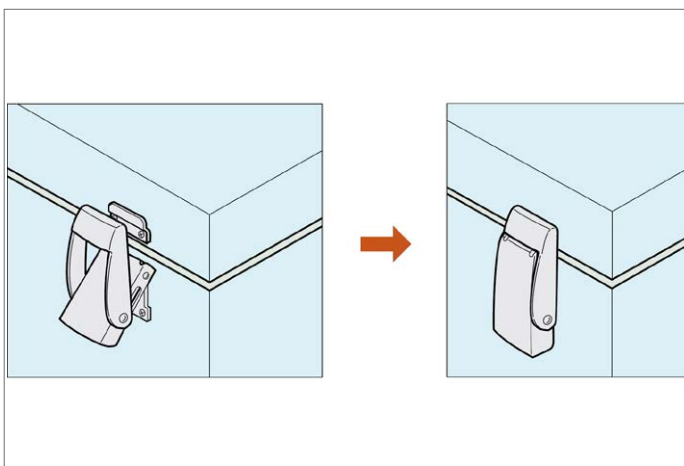
J0340

DRAW LATCHES

Material

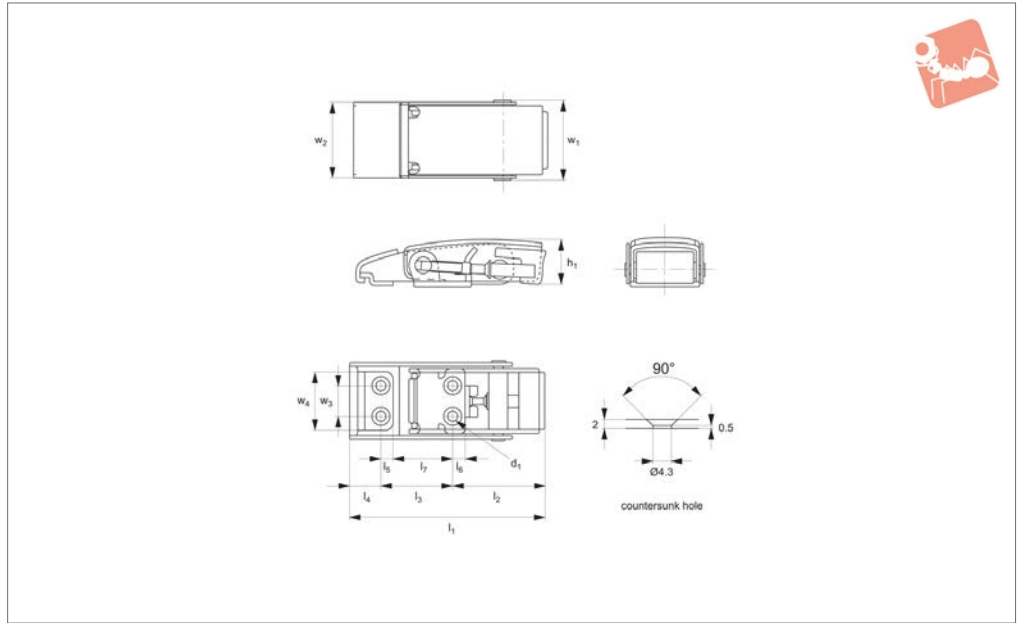
All parts from stainless steel, AISI 304, satin finish. Fixing screws not included.

Order No.	l_1	Load capacity kg	d_1	h_1	w_1	l_2	l_3 ± 0.2	l_4 ± 0.5	l_5	l_6	l_7	l_8	w_2	w_3 ± 0.2	Weight g
J0340.AC0030	100	80	4.3	19.5	52.6	36.5	18	32	16.5	5	17	25	52	32	190





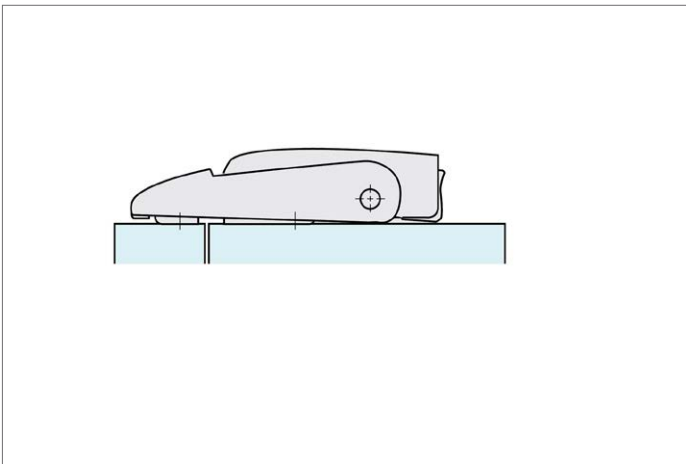
J0360



Material

All parts from stainless steel, AISI 304, satin finish. Fixing screws not included.

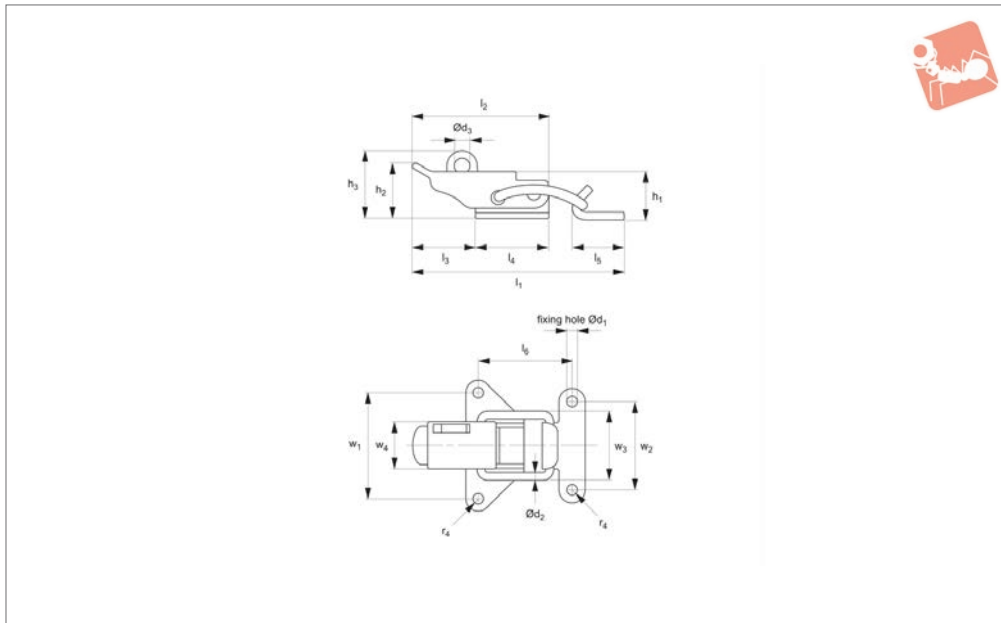
Order No.	l_1	Load capacity kg	h_1	w_1	$\varnothing d_1$	l_2	l_3 0 -0.5	l_4	l_5	l_6	l_7	w_2	w_3 ± 0.2	w_4	Weight g
J0360.AC0030	82	80	19.5	33.6	4.3	38.5	30	13.5	5	5	52	32	13	25	111





Toggle Latches with padlock shackle

Draw Latches



J0500

DRAW LATCHES

Material

Steel, Fe P02 + P12, UNI5866, nickel or zinc plated.

Technical Notes

Supplied with counter strike.

Order No.	Finish	l_1	h_1	w_1	$\varnothing d_1$	$\varnothing d_2$	$\varnothing d_3$	h_2 ± 0.5	h_3	Weight g
J0500.AC0001	Nickel Plated Steel	52	11	33	3.5	2	4	12	17.5	20
J0500.AC0004	Zinc Plated Steel	52	11	33	3.5	2	4	12	17.5	20

Order No.	l_2	l_3	l_4	l_5	l_6 ± 0.3	w_2	w_3	w_4	Load N max.	Tension N max.
J0500.AC0001	34	16	18	13	28.5	28	21	15	550	1500
J0500.AC0004	34	16	18	13	28.5	28	21	15	550	1500