

J0710

DRAW LATCHES

Material

Handle: black rubber, 65/70 shore hardness.

Anchor Plate and Strike Plate: steel, zinc plated.

Supplied with cotter pin for assembly.

Technical Notes

Flexible handle J0710.AC0148 supplied

with split cotter pin 3.2 dia x 55 long for mounting onto anchor plate.

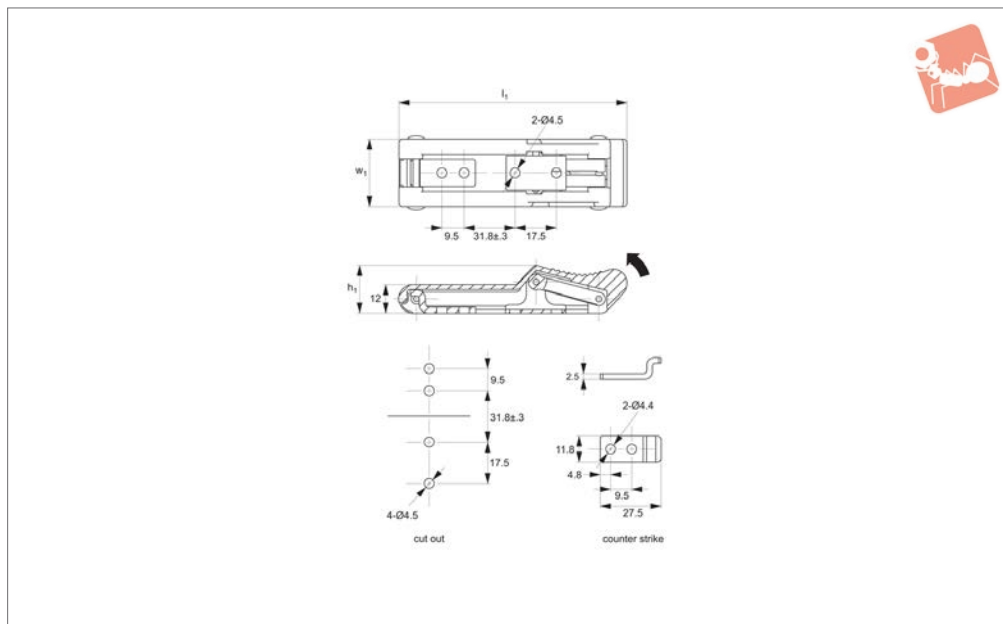
Important Notes

Please order anchor plate and strike plate separately, to best suit your application. Front strike plate is mounted underneath the flexible handle. Rear strike plate is mounted away from the flexible handle.

Order No.	Type	l	a	b	Ø d ₁	Ø d ₂	Ø d ₃	c	e	f	g
J0710.AC0148	Flexible Handle	148	53	24	20	26	4	-	-	-	-
J0710.AC0010	Anchor Plate	-	20	30	2	-	5	25	-	26	-
J0710.AC0020	Rear Strike Plate	-	32	40	2	-	4	50	16	15	18
J0710.AC0022	Front Strike Plate	-	32	38	2	-	4	44	16	15	18



J0712



Material

Handle: rubber, black.

Counter strike and bracket: stainless steel.

Not supplied: fixing screws.

catch. Pull back and down to lock.

Tips

Flexible rubber allows latch to stretch over

Order No.
J0712.AW0010

l_1
96.5

w_1
29

h_1
20