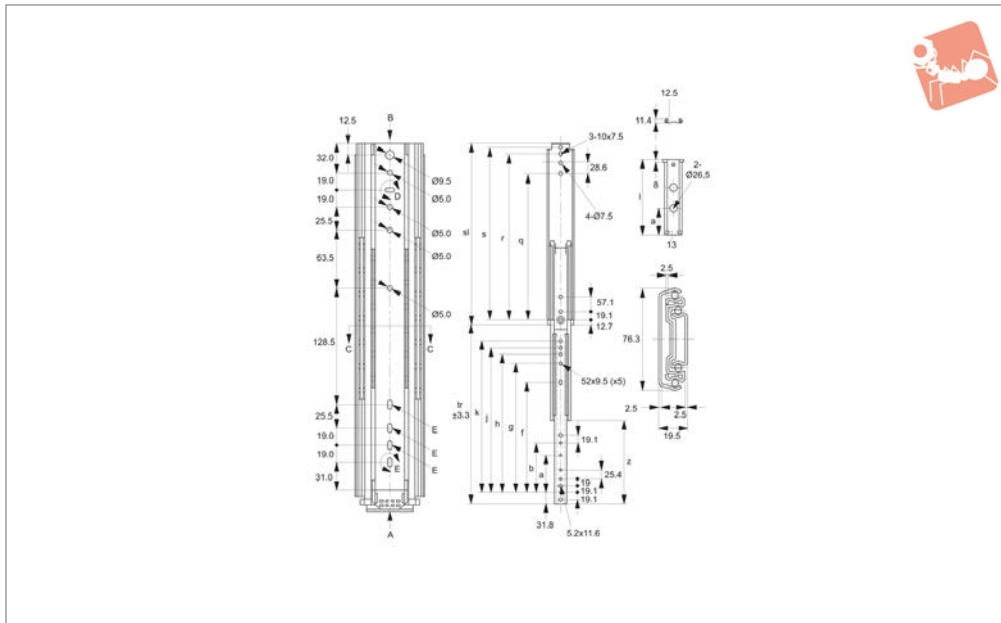




Drawer Slide - Full Extension

200 Kg load per pair

Full Extension



P2000

FULL EXTENSION

Material

Cold rolled steel, zinc plated.

tested to 40,000 usage cycles.

holes. **Sold individually as single slides.**

Technical Notes

Positive stop. These slides have been

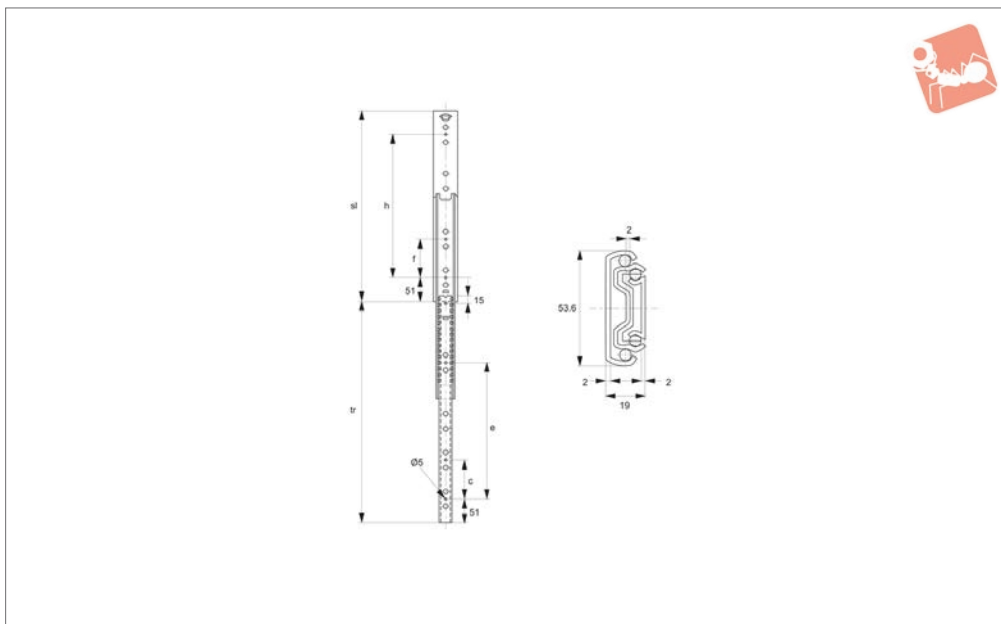
Important Notes

Load capacity is static load per pair, at the centre of the rails using all mounting

Order No.	Slide length sl	Slide travel tr ±3.3	a	b	f	g	h	j	k	q	R	s	Load/pair kg max.	Weight g
P2000.AC0025	254	254	-	-	-	103	128	147	166	152	209	228	200	1275
P2000.AC0030	304	304	-	-	-	153	179	198	217	203	260	279	200	1525
P2000.AC0035	355	355	-	-	-	204	230	249	268	254	311	330	200	1775
P2000.AC0040	406	406	127	-	-	255	280	299	319	304	361	381	200	2025
P2000.AC0047	457	457	127	-	246	306	331	350	369	355	412	431	200	2275
P2000.AC0050	508	508	127	190	296	357	382	401	420	406	463	482	200	2525
P2000.AC0055	558	558	127	190	347	407	433	452	471	457	514	533	200	2775
P2000.AC0060	608	608	127	190	398	458	484	503	522	508	565	584	200	3025
P2000.AC0066	660	660	127	190	449	509	534	553	573	558	615	635	200	3275
P2000.AC0071	711	711	127	190	500	560	585	604	623	609	666	685	200	3525



P2100



Material

Cold rolled steel, zinc plated.

stop. These slides have been tested to 80,000 usage cycles.

centre of the rails using all mounting holes. **Sold individually as single slides.**

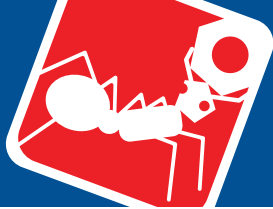
Technical Notes

Hold-in detent when slide closed. Positive

Important Notes

Load capacity is static load per pair, at the

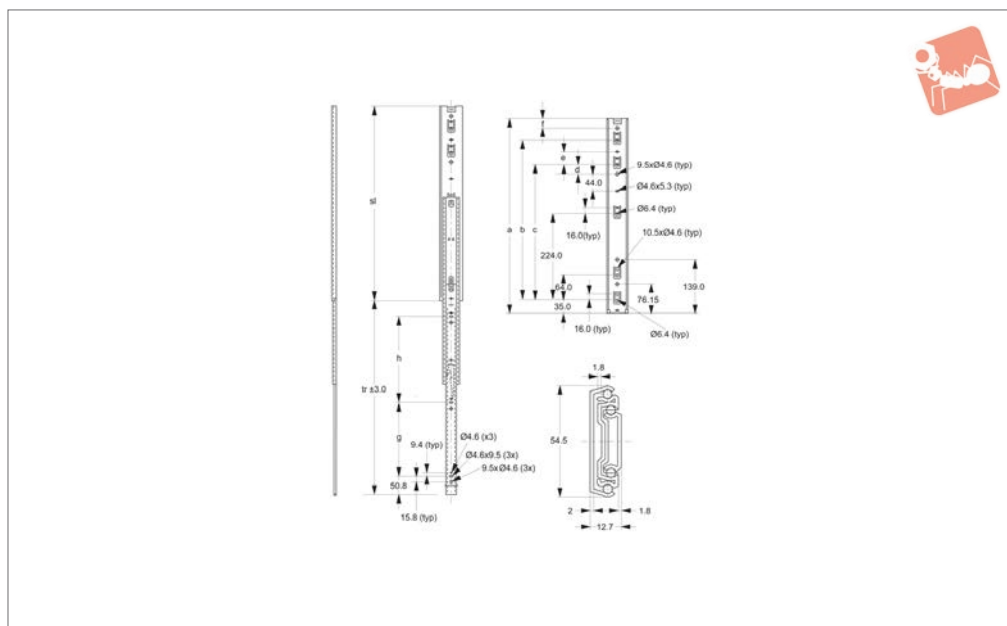
Order No.	Slide length sl	Slide travel tr	c	e	f	h	Load/pair kg max.	Weight g
P2100.AC0030	300	328	-	160	-	160	80	900
P2100.AC0035	350	375	-	224	-	224	80	1000
P2100.AC0040	400	425	128	256	128	256	80	1100
P2100.AC0045	450	475	160	320	160	320	80	1250
P2100.AC0050	500	525	192	352	160	352	80	1400
P2100.AC0055	550	574	192	416	224	416	80	1500
P2100.AC0060	600	610	256	480	256	480	80	1650
P2100.AC0065	650	674	256	512	256	512	80	1950
P2100.AC0070	700	720	288	576	288	574	80	2100



Drawer Slide - Full Extension

60 Kg load per pair

Full Extension



P2200

FULL EXTENSION

Material

Cold rolled steel, zinc plated.

Technical Notes

Hold-in detent when slide closed. Positive stop. Rails can be disconnected via pres-

sing disconnect lever.

These slides have been tested to 80,000 usage cycles.

Important Notes

Load capacity is static load per pair, at the

centre of the rails using all mounting

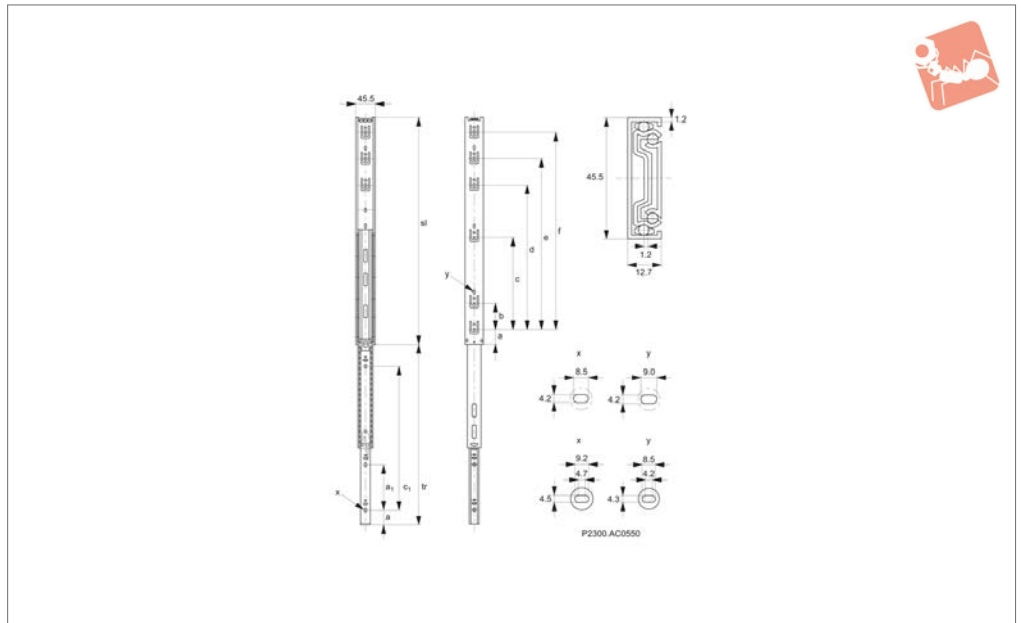
holes. **Sold individually as single slides.**

Order No.	Slide length sl	Slide travel tr ±3.0	b	c	d	e	f	g	h	Load/pair kg max.	Weight g
P2200.AC0304	304.8	304.8	-	-	-	-	-	96.0	128.0	60	740
P2200.AC0355	335.6	335.6	-	-	-	-	46.6	128.0	128.0	60	860
P2200.AC0406	406.4	406.4	288.0	-	-	-	33.4	160.0	160.0	60	985
P2200.AC0457	457.2	457.2	352.0	-	25.45	32.15	-	160.0	192.0	60	1110
P2200.AC0508	508.0	508.0	352.0	416.0	25.45	32.15	-	192.0	224.0	60	1250
P2200.AC0558	558.8	558.8	352.0	416.0	25.45	32.15	57.8	224.0	256.0	60	1380
P2200.AC0609	609.6	609.6	352.0	480.0	25.45	32.15	44.8	256.0	256.0	60	1500
P2200.AC0660	660.4	660.4	352.0	544.0	25.45	32.15	-	256.0	320.0	60	1620
P2200.AC0711	711.2	711.2	352.0	544.0	25.45	32.15	82.2	256.0	352.0	60	1750





P2300



Material

Cold rolled steel, zinc plated.

Technical Notes

Hold-in detent when slide closed. Positive stop. Rails can be disconnected via pres-

sing disconnect lever.

These slides have been tested to 60,000 usage cycles.

Important Notes

Load capacity is static load per pair, at the

centre of the rails using all mounting

holes. **Sold individually as single slides.**

Order No.	Slide length sl	Slide travel tr	a	b	b ₁	c	c ₁	d	e	f	Load/pair kg max.	Weight g
P2300.AC0250	250	250	35	160	160	-	-	-	-	-	45	390
P2300.AC0300	300	300	35	64	96	224	192	-	-	-	45	470
P2300.AC0350	350	350	35	64	128	224	256	-	-	-	45	555
P2300.AC0400	400	400	35	64	128	224	320	288	-	-	45	635
P2300.AC0450	450	450	35	64	160	224	352	352	-	-	45	745
P2300.AC0500	500	500	35	64	192	224	416	352	416	-	45	795
P2300.AC0550	550	550	35	64	224	224	448	352	416	-	45	880
P2300.AC0600	600	600	35	64	224	224	512	352	480	-	45	970
P2300.AC0650	650	650	35	64	256	224	544	352	512	-	45	1050
P2300.AC0700	700	700	35	64	288	224	608	352	480	608	45	1130

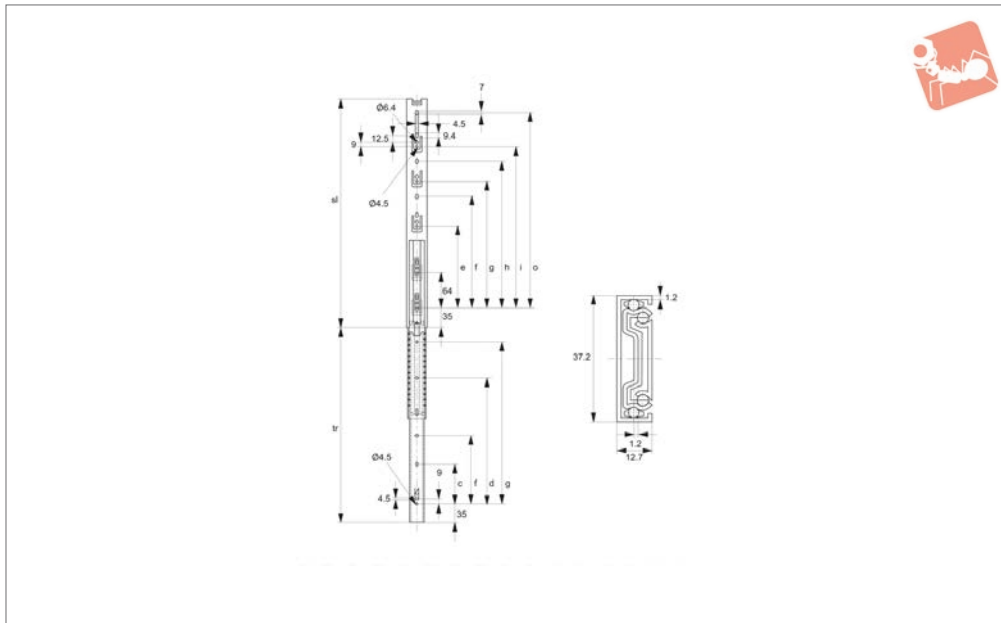




Drawer Slide - Full Extension

30 Kg load per pair

Full Extension



P2500

FULL EXTENSION

Material

Cold rolled steel, zinc plated.

Technical Notes

Hold-in detent when slide closed. Positive stop. Rails can be disconnected via pres-

sing disconnect lever.

These slides have been tested to 60,000 usage cycles.

Important Notes

Load capacity is static load per pair, at the

centre of the rails using all mounting holes. **Sold individually as single slides.**

Order No.	Slide length sl	Slide travel tr	c	d	e	f	g	h	i	o	Load/pair kg max.	Weight g
P2500.AC0250	250	254	160	-	-	-	-	-	160	-	30	300
P2500.AC0300	300	305	96	192	160	-	-	-	224	-	30	400
P2500.AC0350	350	356	128	256	150	-	-	-	224	-	30	450
P2500.AC0400	400	406	128	320	150	-	-	224	288	-	30	500
P2500.AC0450	450	457	160	352	150	-	-	224	352	-	30	510
P2500.AC0500	500	508	192	416	160	224	288	352	416	-	30	650
P2500.AC0550	550	552	224	448	160	224	288	352	416	480	30	700

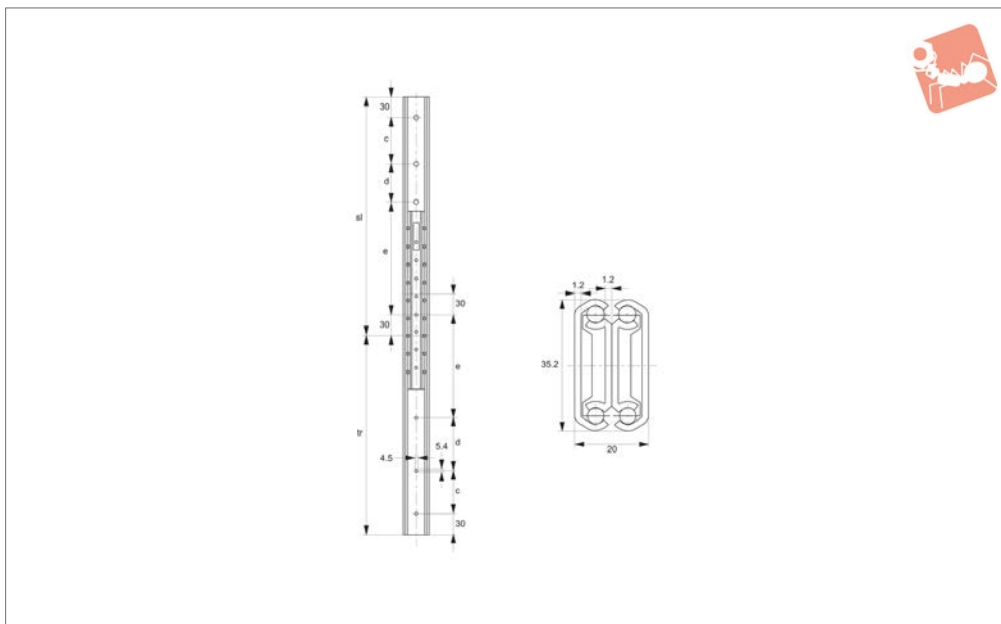




FULL EXTENSION



P2600



Material

Cold rolled steel, zinc plated.

These slides have been tested to 60,000 usage cycles.

centre of the rails using all mounting holes. **Sold individually as single slides.**

Technical Notes

Positive stop.

Important Notes

Load capacity is static load per pair, at the

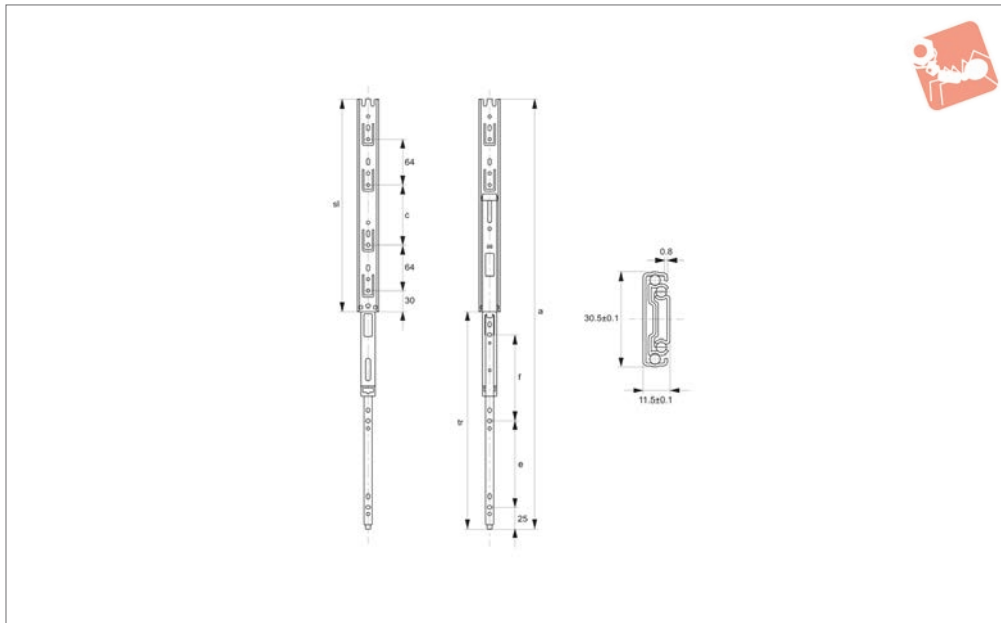
Order No.	Slide length sl	Slide travel tr	c	d	e	Load/pair kg max.	Weight g
P2600.AC0300	300	300	98	49	98	60	600
P2600.AC0350	350	350	98	98	98	60	700
P2600.AC0400	400	400	127	84	126	60	800
P2600.AC0450	450	450	127	135	127	60	900
P2600.AC0500	500	500	160	120	160	60	1000



Drawer Slide - Full Extension

Lever disconnect - 20 Kg load per pair

Full Extension



P2700

FULL EXTENSION

Material

Cold rolled steel. Finishing: black

Technical Notes

Hold-in detent when slide closed. Positive stop. Rails can be disconnected via pres-

sing disconnect lever.

These slides have been tested to 60,000 usage cycles.

Important Notes

Load capacity is static load per pair, at the

centre of the rails using all mounting holes. **Sold individually as single slides.**

Order No.	Slide length sl	Slide travel tr	a	c	e	f	Load/pair kg max.	Weight g
P2700.AC0200	200	200	400	71	71	71	20	257
P2700.AC0250	250	250	500	99	96	96	20	315
P2700.AC0300	300	300	600	85	121	121	20	370
P2700.AC0350	350	350	700	135	146	146	20	425
P2700.AC0400	400	400	800	185	171	171	20	480
P2700.AC0450	450	450	900	235	191	191	20	532





Weight capacity

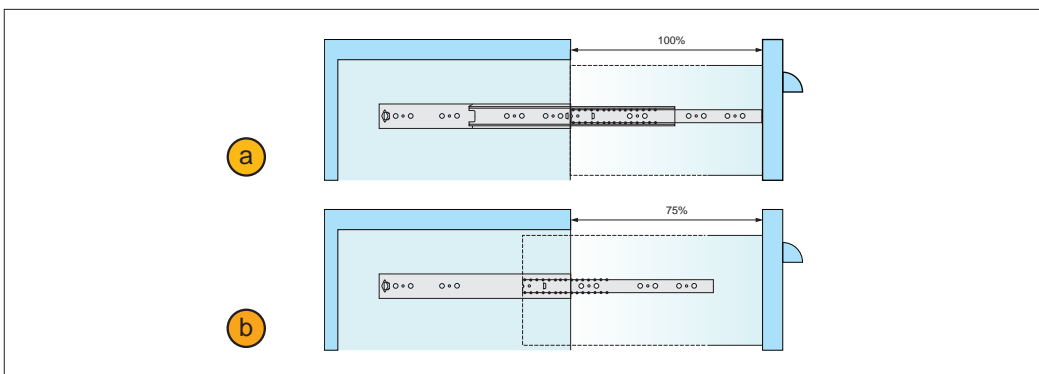
Weight capacity/pair Kg - is the static load per pair of drawer slides, measured at the centre of a pair of slides, side mounted, spaced 450mm apart, and is based on use of all fixing points on the slide.

Important Note: Flat mounting of drawer slides, as opposed to the standard side mounding of slides, is not recommended as it results in a greatly reduced load capacity equal to only 25% of the stated weight capacity.

Drawer slide terms

Slide length (sl) The longest dimension of a fully closed slide, this should not exceed the depth of cabinet in which slide is installed.

Slide travel (tr) Distance a drawer slide moves from fully closed position. (slide length + slide travel = fully extended slide length).



Full extension This type of drawer slide can be extended 100% of slide length, this is standard for most 3 piece drawer slides. **a**

3/4 extension This type of drawer slide extends to approx. 75% of the slide length, this is standard for most 2 piece drawer slides. **b**

Positive stop Drawer stops at extended/open position but does not lock or detent.

Positive lock Drawer is firmly held in extended/open position by means of a mechanical catch. Drawer is released by depressing a lever and pushing drawer inward. From the extended/open position the same slide may be disconnected by depressing the lever and pulling the drawer out.

Hold-in detent Drawer is firmly held in closed position, and released by pulling drawer open (also known as positive catch).

Lever disconnect From the extended/open position the slide may be disconnected by depressing lever and pulling drawer out.

Self-closing Toward end of drawer slide closing stroke, slide is drawn into the fully closed position.

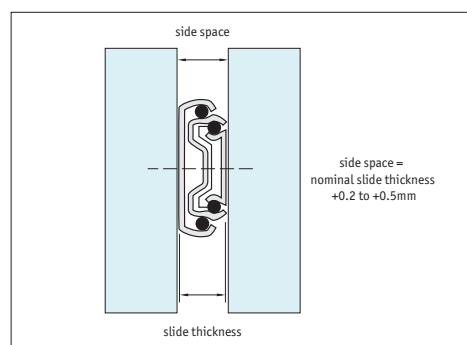
Soft self-closing Toward end of drawer slide closing stroke, slide movement is slowed and then drawn into fully closed position.

Side mounting tolerances

When mounting we recommend a side space equal to the slide thickness with an additional 0,2 to 0,5 mm for optimal positioning.

Mounting with less than 0,2 mm side tolerance can result in poor running of the drawer slide and jamming of the slide - the same is true if tolerances over 0,5mm are used.

Ensure cabinet/enclosure faces are square and parallel prior to mounting of the drawer slides.

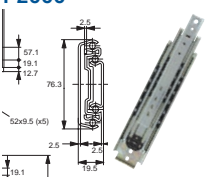
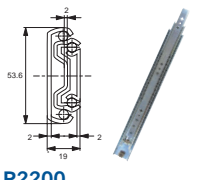


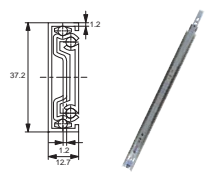




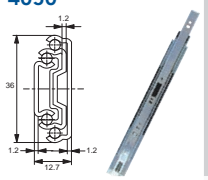
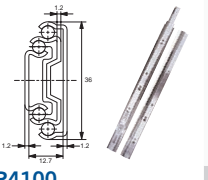
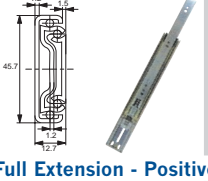
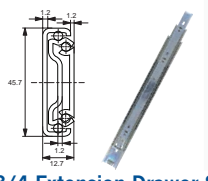
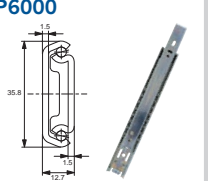
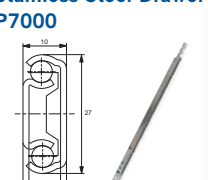
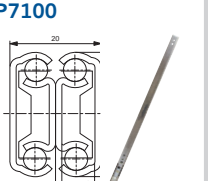
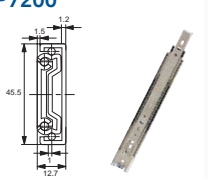


Wixroyd Drawer Slides

product selection charts

Drawer Slides

	Weight Cap/Pair Kg	Slide Length mm	Full Extension	3/4 Extension	Material Steel, Zinc Plate	Stainless Steel	Hold-in Detent	Lever Disconnect	Positive Stop	Self Closing	Soft Self Closing	Positive Lock
Full Extension - Drawer Slides												
P2000 	200	254-711	✓		✓				✓			
P2100 	80	300-700	✓		✓		✓	✓	✓			
P2200 	60	304-711	✓		✓		✓	✓	✓			
P2300 	45	250-700	✓		✓		✓	✓	✓			
P2500 	30	250-550	✓		✓		✓	✓	✓			
P2600 	60	300-500	✓		✓				✓			
P2700 	20	200-450	✓		✓		✓	✓	✓			

	Weight Cap/Pair Kg	Slide Length mm	Full Extension	3/4 Extension	Material Steel, Zinc Plate	Stainless Steel	Hold-in Detent	Lever Disconnect	Positive Stop	Self Closing	Soft Self Closing	Positive Lock
Full Extension - Lever Disconnect Drawer Slides												
P4050 	30	250-600	✓		✓		✓	✓	✓	✓		
P4080 	30	350-700	✓		✓		✓	✓	✓		✓	
P4100 	45	300-700	✓		✓		✓	✓	✓	✓		
Full Extension - Positive Stop Drawer Slides												
P5100 	45	250-700	✓		✓		✓	✓	✓			✓
3/4 Extension Drawer Slides												
P6000 	30	250-700		✓	✓		✓	✓	✓			
Stainless Steel Drawer Slides												
P7000 	15	200-600		✓	✓				✓			
P7100 	30	200-550	✓		✓				✓			
P7200 	45	300-700	✓		✓				✓			

FULL EXTENSION

ov-WP2000-A-T-WP7200-A-T-drawer-slides-product-selection-charts-rmh- Updated -21-10-2022