

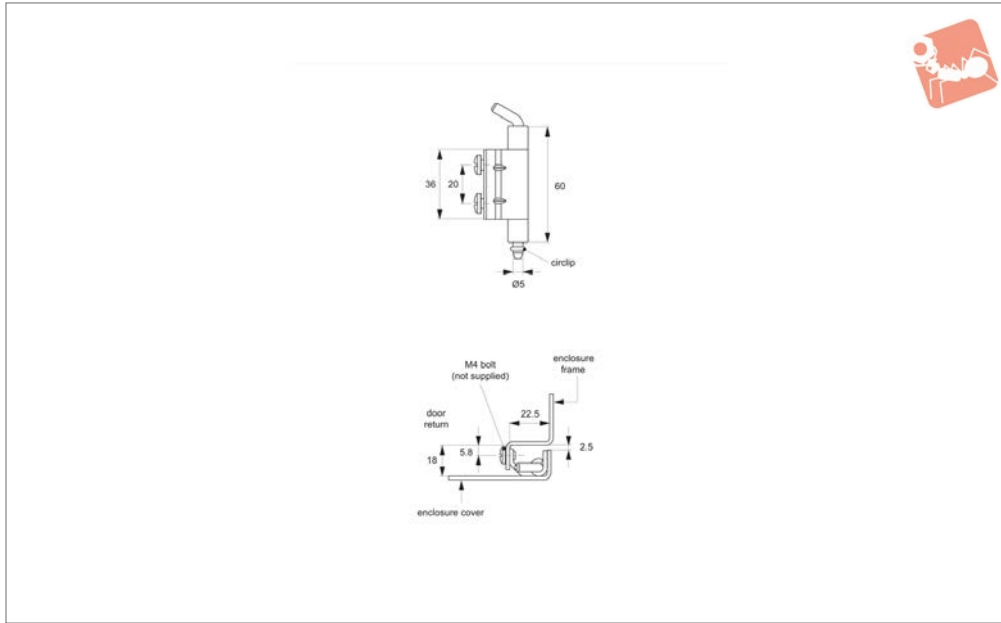


Concealed Pivot Hinges - Lift Off

20 mm door return - weld or stud - steel



Hinges



S2104

HINGES

Material

Steel and stainless steel (304 and 316).

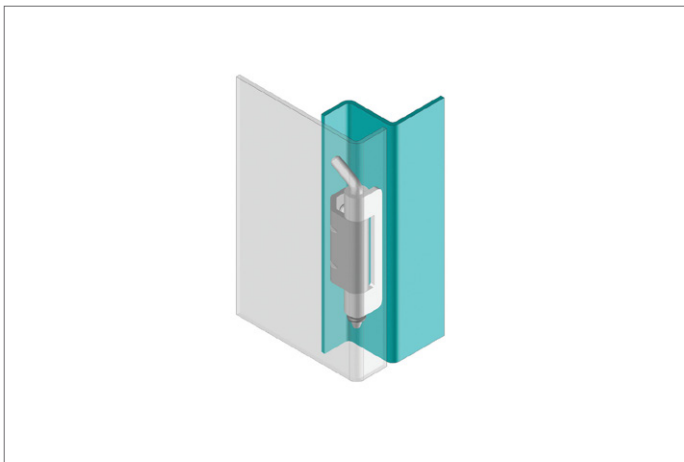
Technical Notes

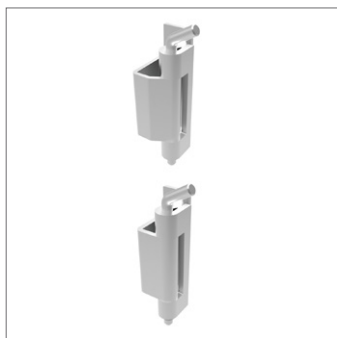
Suited to sheet metal and machine enclos-

ures with door return. Main body mounted via two M 4 screws. Hinge plate either welded or screwed to enclosure body. Removable hinge pin enables easy installa-

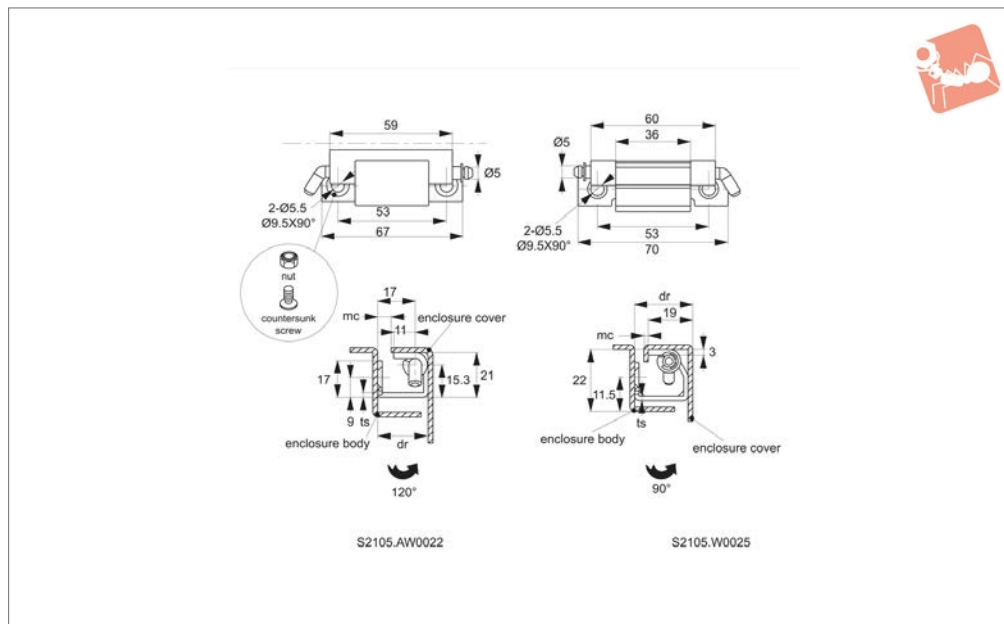
tion and is held in place via circlip. Max. opening angle 120°.

Order No.	Material	Door return	Size	F _x N	F _y N
S2104.AW0020	Steel	20	60 x 22,5 x 20	280	250
S2104.AW0120	304 Stainless	20	60 x 22,5 x 20	-	-
S2104.AW0220	316 Stainless	20	60 x 22,5 x 20	-	-





S2105



Material

Body & hinge: steel, white zinc plated.

mounted via two M5 screws. Hinge plate either welded or screwed to enclosure body.

Technical Notes

Suited to sheet metal and machine enclosures with 22-25mm door return. Main body

Removable hinge pin enables easy installation and is held in place via circlip. Max. opening angle 120° or 90°.

Important Notes

dr= Maximum door return suitable for use with hinge.

mc= Minimum clearance advised between enclosure cover and body to ensure smooth, full opening of enclosure cover.

Order No.	Door return	Size	F _x N	F _y N	mc min.	ts thickness
S2105.AW0022	25	59 x 21 x 22	120	310	4.5	2.5
S2105.AW0025	22	60 x 22 x 25	120	310	4.0	2.5



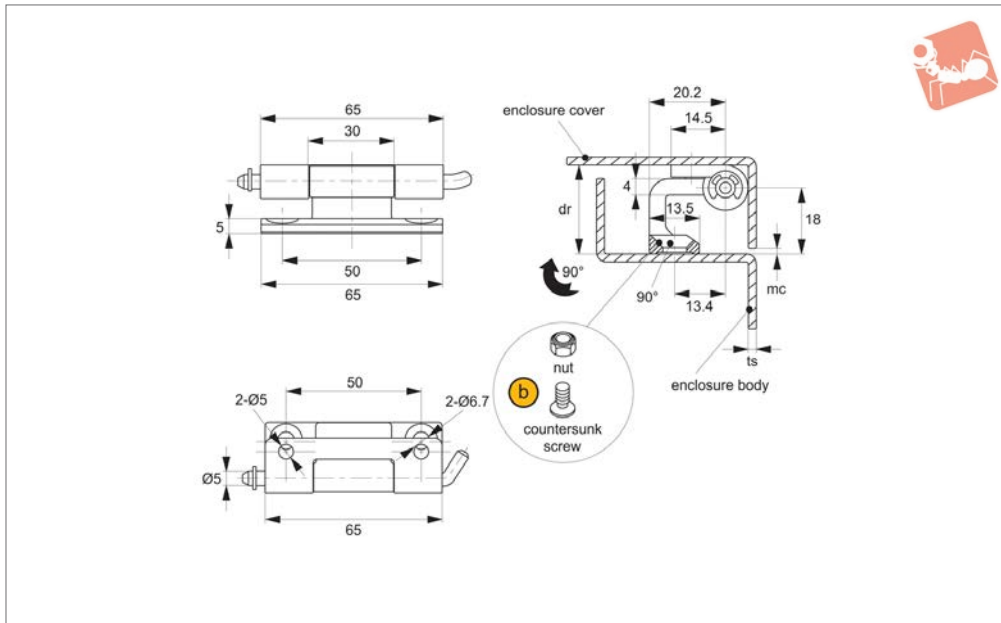


Concealed Pivot Hinges - Lift Off

23mm door return - weld and countersunk screw



Hinges



S2115

HINGES

Material

Hinge & pin: steel, white zinc plated.

Technical Notes

Suited to sheet metal and machine enclosures with 23mm door return. When the gap between the door and frame is 2mm, opening angle is 90°.

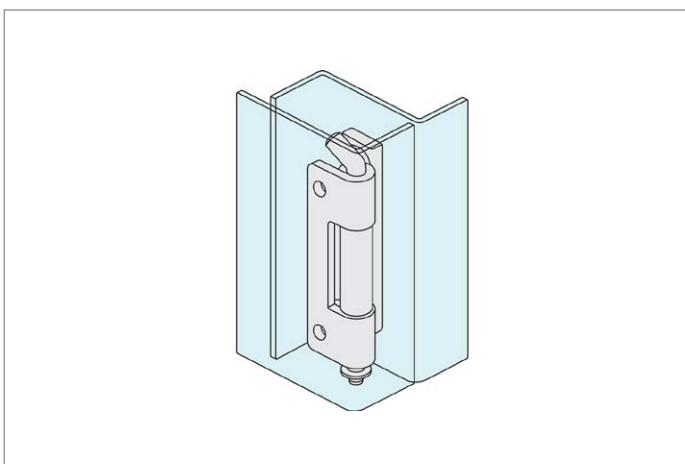
Main body mounted via M6 screws, hinge plate either welded or screwed to enclosure with M5 screws. Removable hinge pin enables easy installation and is held in place via circlip. Opening angle 180°.

Important Notes

dr= Maximum door return suitable for use with hinge.

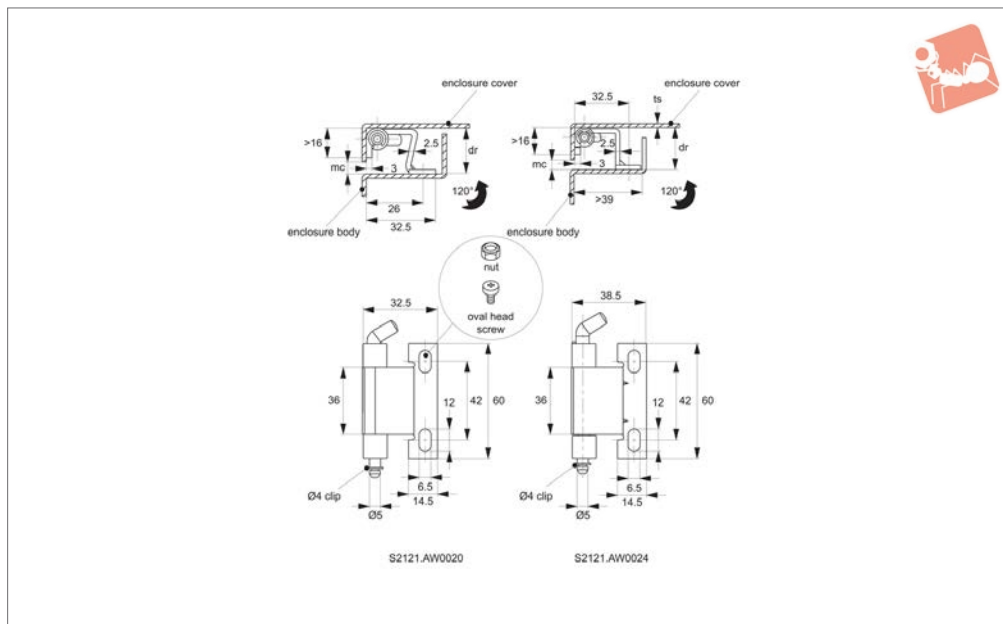
mc= Minimum clearance advised between enclosure cover and body to ensure smooth, full opening of enclosure cover.

Order No.	Door return	Size	F _x N	F _y N	mc min.	ts panel thickness
S2115.AW0024	23.8	65 x 23 x 20,2	900	700	2	2





S2121



Material

Hinge & pin: steel, white zinc plated.

Technical Notes

Suited to sheet metal and machine enclosures with door return of 20-24mm. Main body mounted via two M6 screws, hinge

plate welded to frame.

Removable hinge pin enables easy installation, and is held in place via circlip. Max. opening angle 120°.

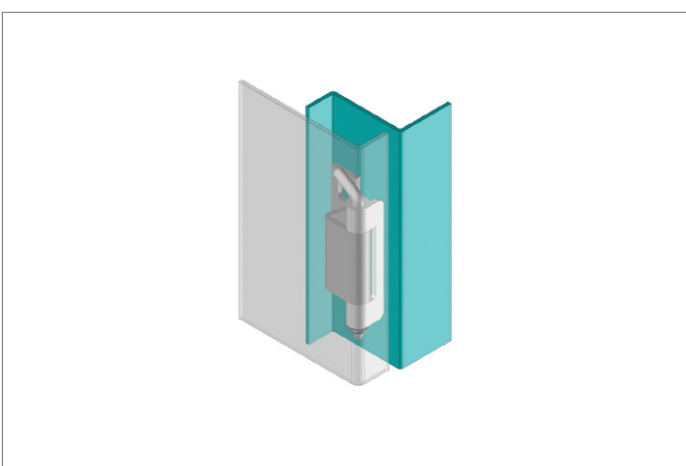
Important Notes

dr= Maximum door return suitable for use

with hinge.

mc= Minimum clearance advised between enclosure cover and body to ensure smooth, full opening of enclosure cover.

Order No.	Door return	Size	F _x N	F _y N	mc min.	ts panel thickness
S2121.AW0020	20.0	60,0 x 32,5 x 20,0	350	778	3	2.0
S2121.AW0024	24.5	60,0 x 38,5 x 24,5	350	778	3	2.0



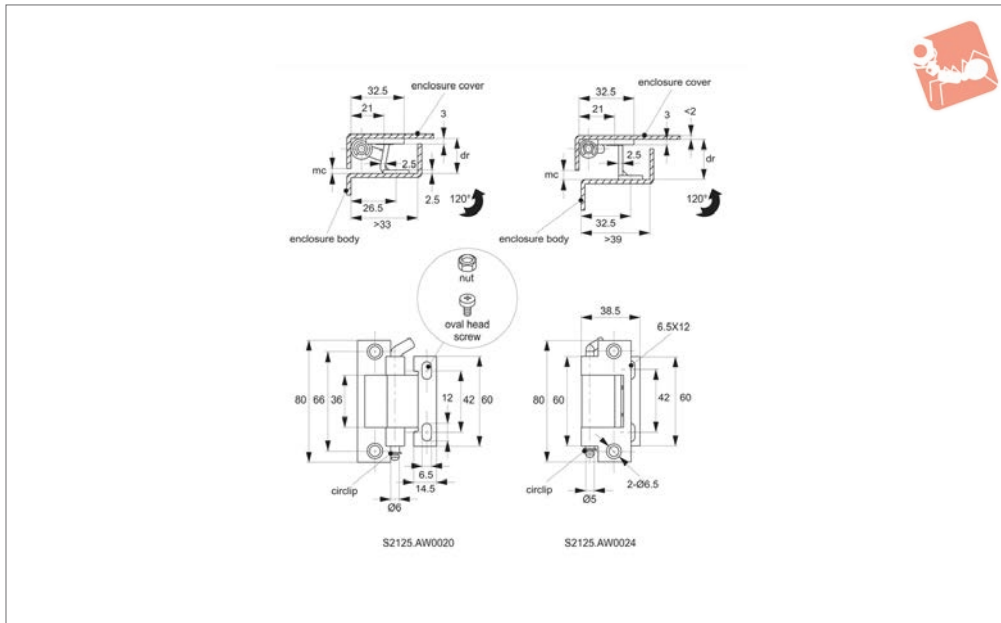


Concealed Pivot Hinges - Lift Off

20 & 24mm door return - weld and oval head screw



Hinges



S2125

HINGES

Material

Hinge & pin: steel, white zinc plated.

Technical Notes

Suited to sheet metal and machine enclosures with 20-24mm door return. Main body mounted via two M6 screws, hinge plate

welded to frame.

Removable hinge pin enables easy installation, and is held in place via circlip. Max. opening angle 120°.

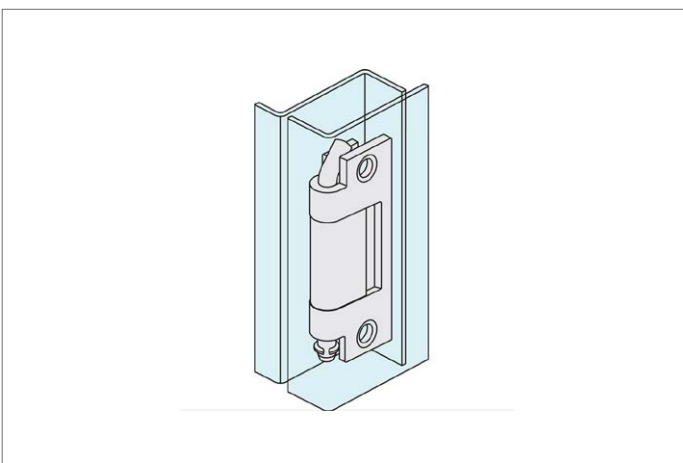
Important Notes

dr= Maximum door return suitable for use

with hinge.

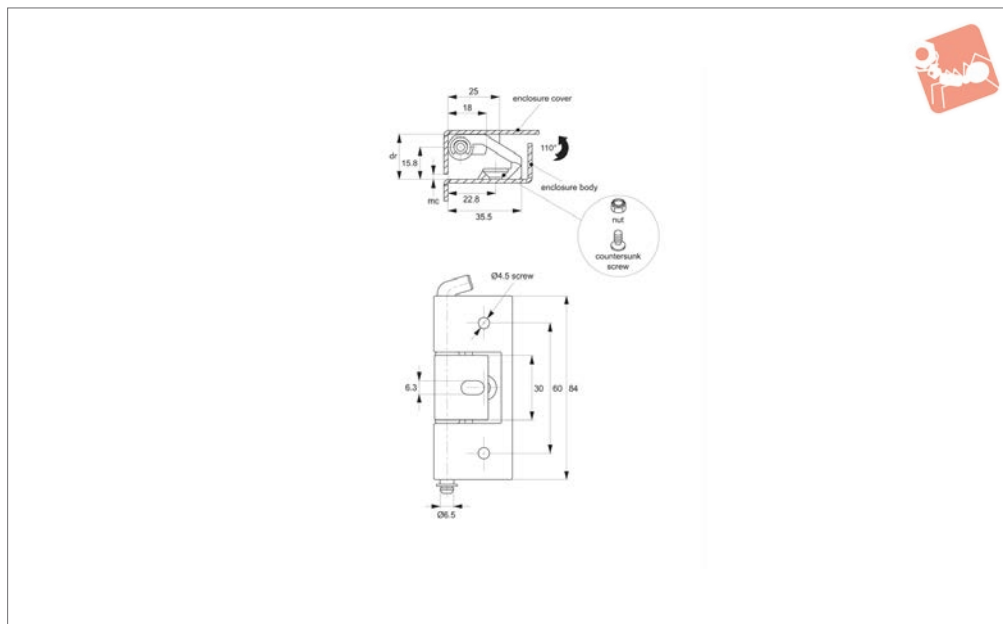
mc= Minimum clearance advised between enclosure cover and body to ensure smooth, full opening of enclosure cover.

Order No.	Door return	Size	F _x N	F _y N	mc min.	ts panel thickness
S2125.AW0020	20.0	60,0 x 33,0 x 20,0	310	480	3.0	2.0
S2125.AW0024	24.5	60,0 x 39,0 x 24,5	310	480	2.5	2.0





S2153



Material

Hinge: die cast zinc.

Pin: steel.

Gasket: polyamide.

Technical Notes

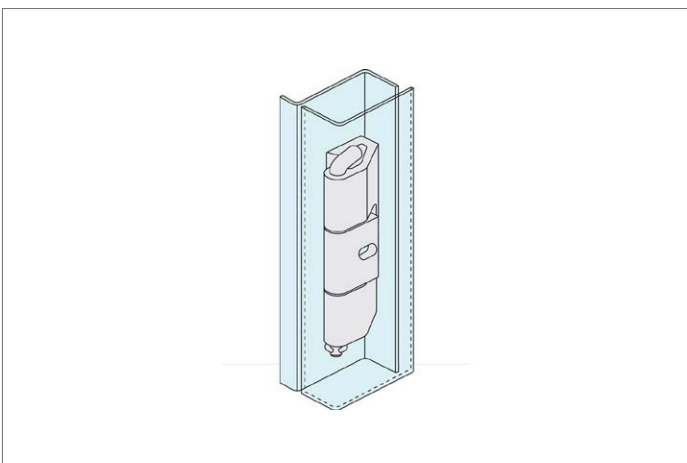
Suited to sheet metal and machine enclos-

ures with a 22mm door return. Main body mounted via two M4 screws, hinge plate welded to frame.

Removable hinge pin enables easy installation, and is held in place via circlip.

Max. opening angle 110°.

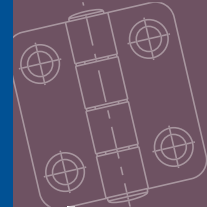
Order No.	Door return	Size	F _x N	F _y N	mc min.	ts panel thickness
S2153.AW0022	22	60 x 33,5 x 22	720	830	3	2



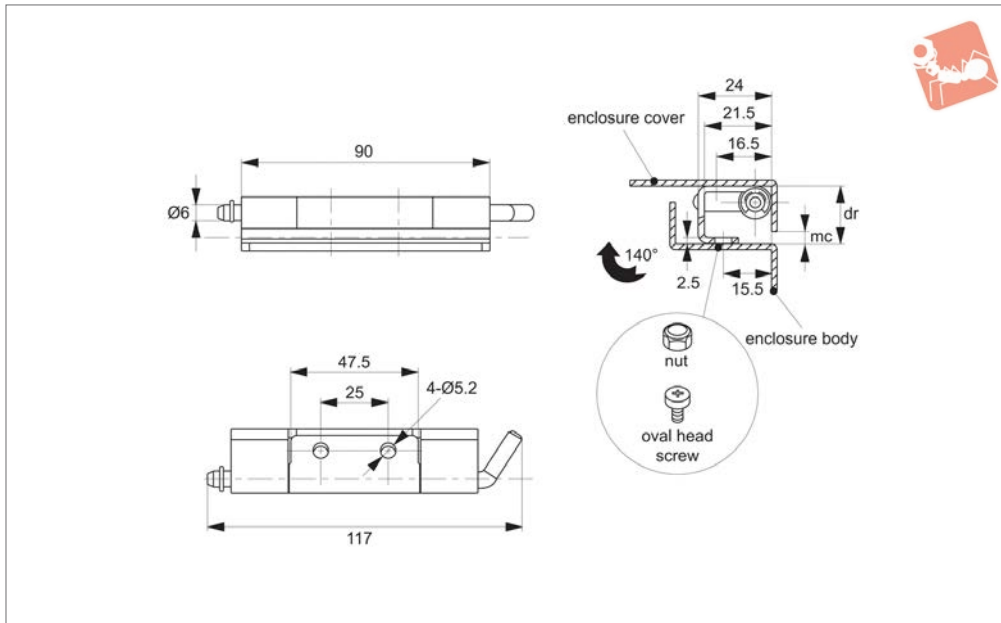


Concealed Pivot Hinges - Lift Off

19mm door return - weld and oval head screw -



Hinges



S2155

HINGES

Material

Hinge & pin: stainless steel.

Technical Notes

Opening angle 140°.

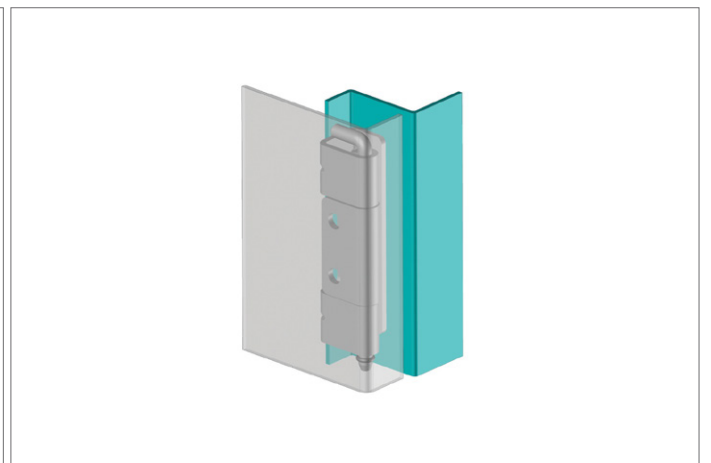
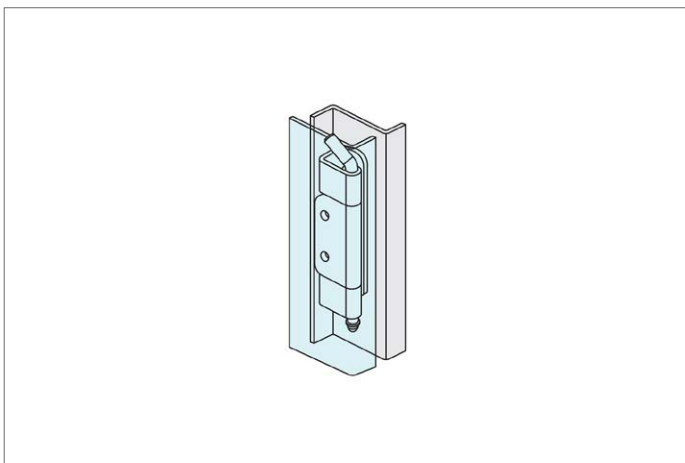
Important Notes

Suited to sheet metal and machine enclosures with a 19mm door return. Main body mounted via two M5 screws, hinge plate welded to frame.

welded to frame.

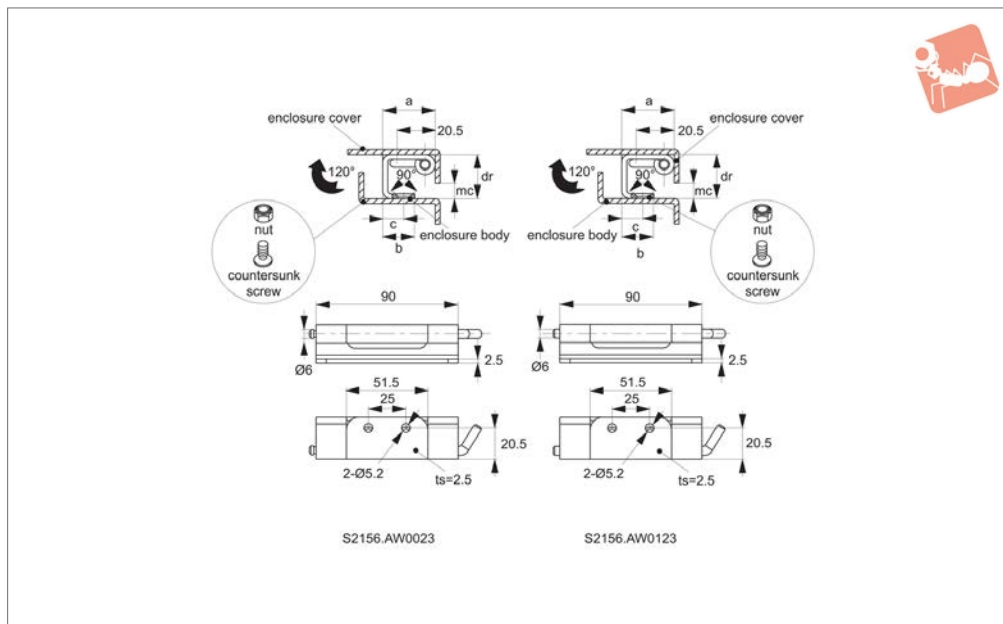
Removable hinge pin enables easy installation, and is held in place by split clip.

Order No.	Door return	Size	F _x N	F _y N	mc min.	ts panel thickness
S2155.AW0019	19	117 x 24 x 19	500	980	5	2.0





S2156



Material

Hinge & shaft: stainless steel. AISI 304.

Technical Notes

Opening angle 120°. Suited to sheet metal and machine enclosures with a 23mm door return. Main body mounted via two M5

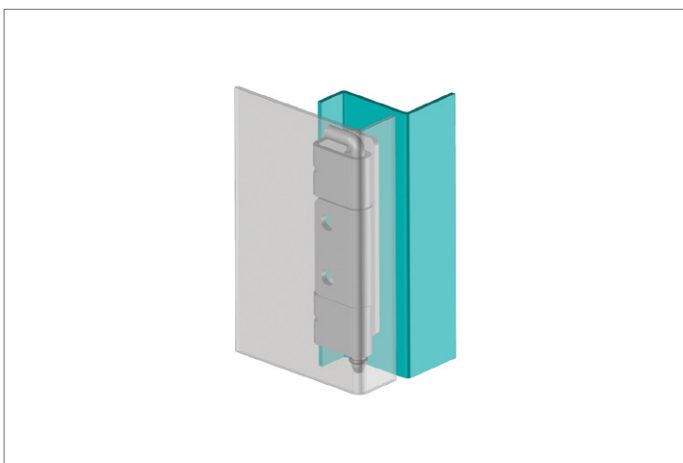
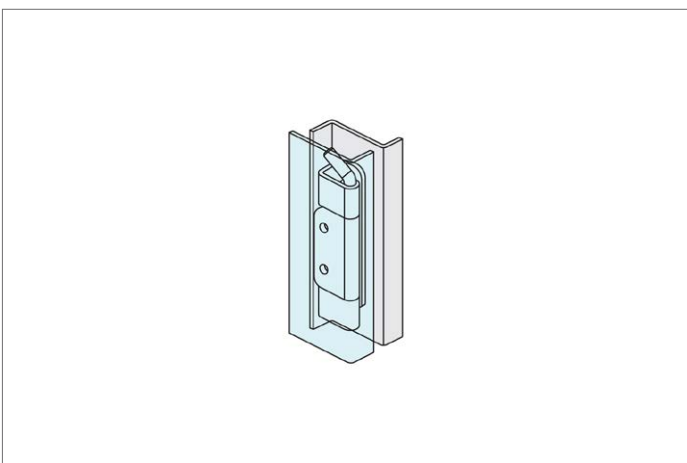
screws, hinge plate welded to frame (copper plated for improved welding). Removable hinge pin enables easy installation, and is held in place by clip.

Important Notes

dr= Maximum door return suitable for use

with hinge. mc= Minimum clearance advised between enclosure cover and body to ensure smooth, full opening of enclosure cover.

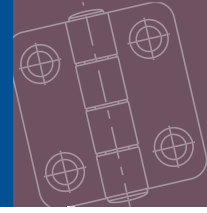
Order No.	Door return	Size	a	b	c	F _x N	F _y N	mc min.	ts panel thickness
S2156.AW0023	23	90 x 27,5 x 23	27.5	16.5	11.0	500	980	5	2.5
S2156.AW0123	23	90 x 33,5 x 23	33.5	22.0	14.5	500	980	5	2.5



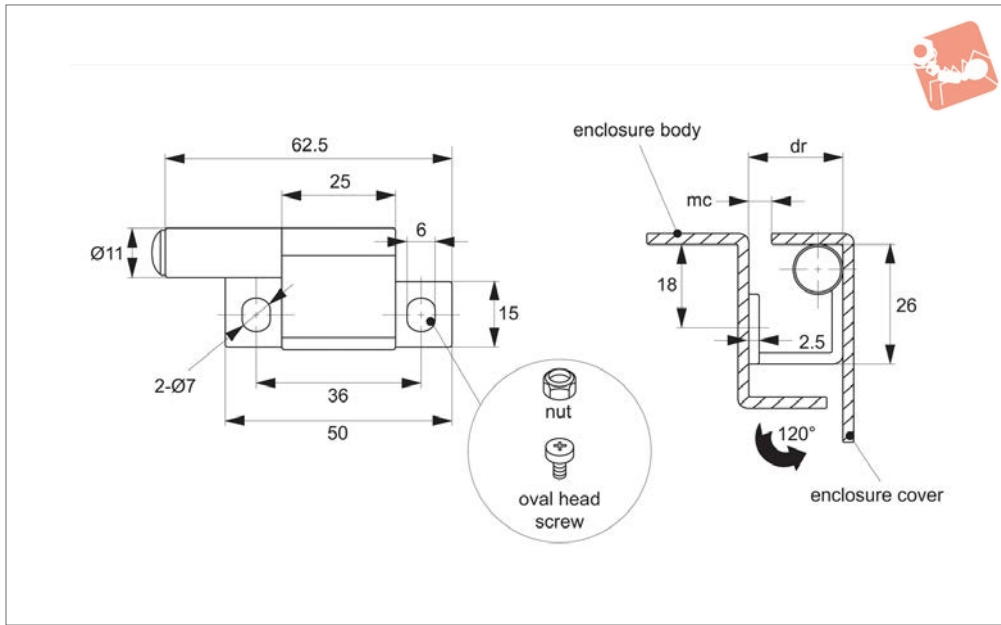


Concealed Pivot Hinges - Lift Off

21mm door return - weld and oval head screw - steel



Hinges



S2170

HINGES

Material

Hinge: steel, white zinc plated.

Technical Notes

Suited to sheet metal and machine enclosures with a 21mm door return. Main body

mounted via two M7 screws, hinge plate welded to frame.

Opening angle: 120°.

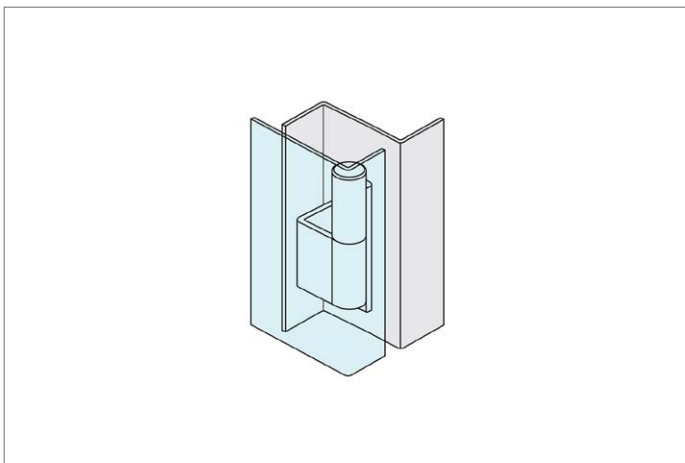
Important Notes

dr= Maximum door return suitable for use

with hinge.

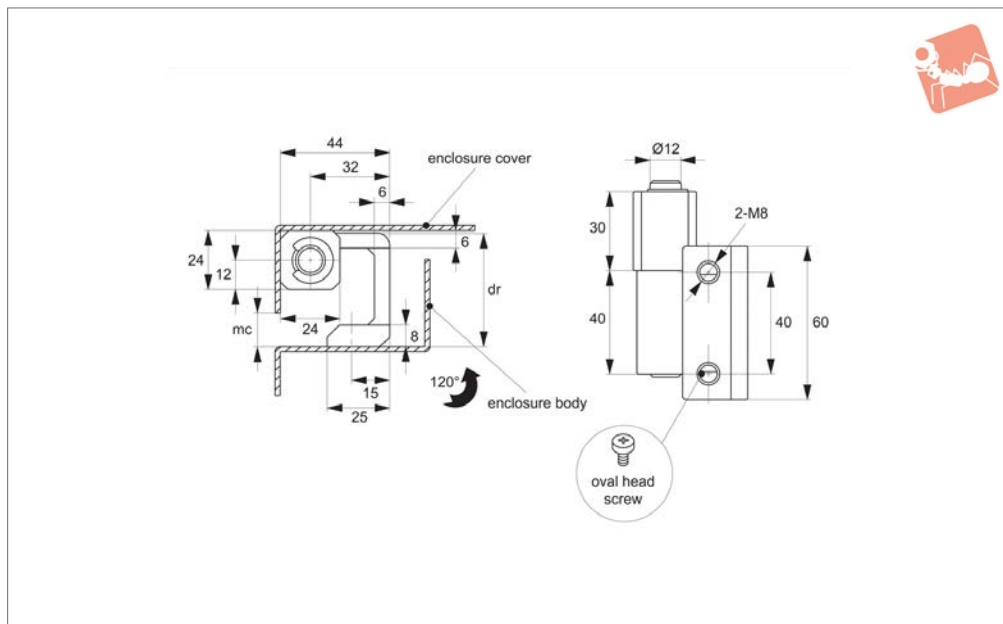
mc= Minimum clearance advised between enclosure cover and body to ensure smooth, full opening of enclosure cover.

Order No.	Door return	Size	F _x N	F _y N	mc min.	ts panel thickness
S2170.AW0021	21	50 x 26 x 21	200	160	4	2.5





S2172



Material

Hinge: stainless steel, white zinc plated.

Technical Notes

Suited to sheet metal and machine enclosures with a 45mm door return. Main body

mounted via two M8 screws, hinge plate welded to frame.

Opening angle: 120°.

Important Notes

dr= Maximum door return suitable for use

with hinge.

mc= Minimum clearance advised between enclosure cover and body to ensure smooth, full opening of enclosure cover.

Order No.	Door return	Size	F _x N	F _y N	mc min.	ts panel thickness
S2172.AW0046	45	60 x 44 x 45,5	2000	1500	10	2.5

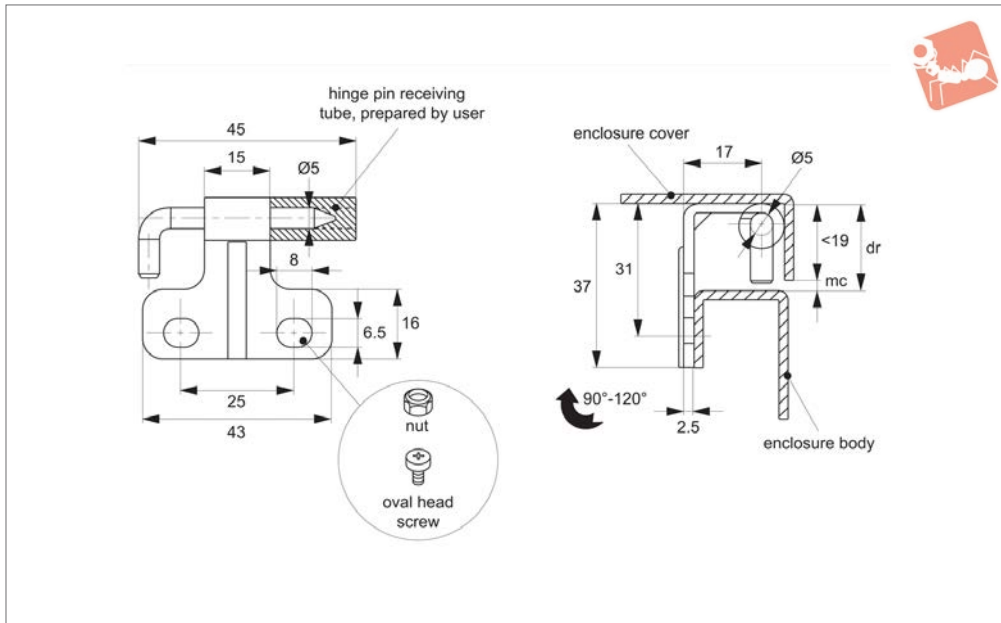


Concealed Pivot Hinges - Lift Off

21mm door return - weld and oval head screw - steel



Hinges



S2176

HINGES

Material

Hinge: steel, black powder coated.
Pin: steel, white zinc plated.

Technical Notes

Suited to sheet metal and machine enclosures with a 21mm door return. Main body mounted via two M6 screws, hinge plate

welded to frame (copper plated for improved welding).
Opening angle: 120°.

Important Notes

Female hinge installation requires user to prepare a welded tube to receive pin: min. dia. 5mm.

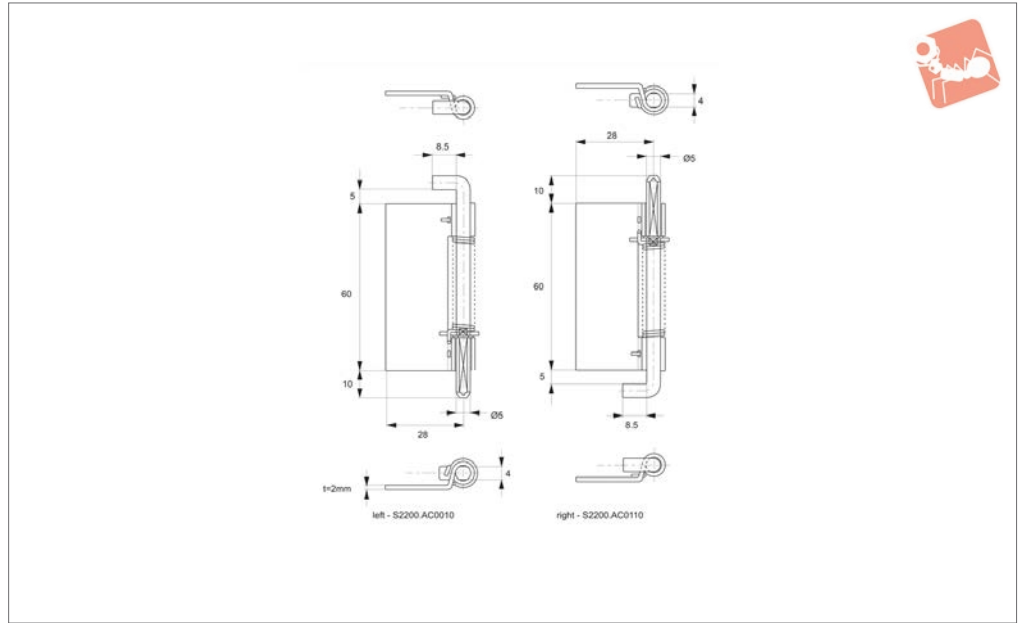
dr= Maximum door return suitable for use with hinge.

mc= Minimum clearance advised between enclosure cover and body to ensure smooth, full opening of enclosure cover.

Order No.	Door return	Size	F _x N	F _y N	mc min.	ts panel thickness
S2176.AW0021	21	43 x 19,5 x 21	360	105	2	2



S2200



Material

Stainless steel, AISI 304.

Technical Notes

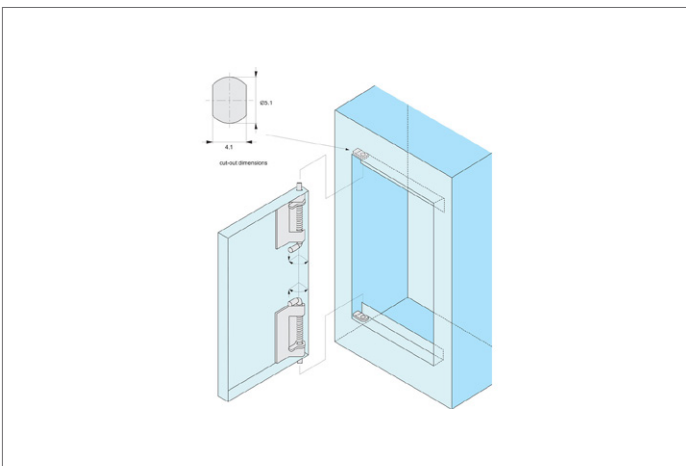
Spring loaded for self-closing.

Lift pin for easy installation and removal.

Torsion moment (hinge closed): 0.76kgf/cm per piece.

Max. opening angle 100°.

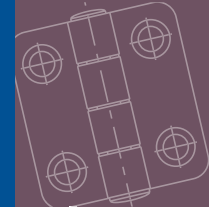
Order No.	Type	Weight
S2200.AC0010	Left	g 38
S2200.AC0110	Right	38



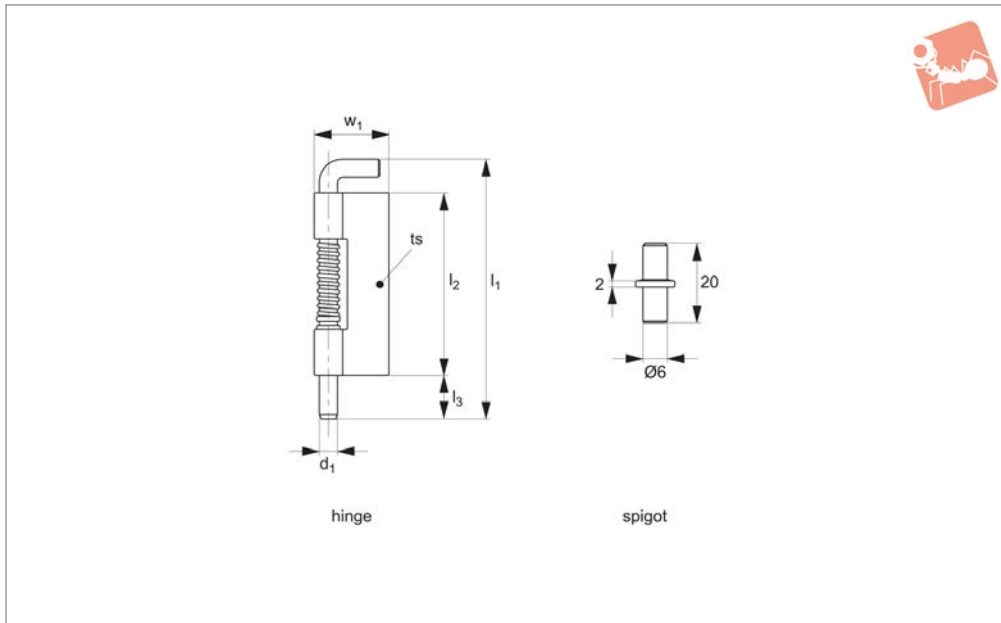


End Mount Concealed Pivot Hinge

spring loaded - weld-on - steel



Hinges



S2202

HINGES

Material

Body: steel, white zinc plated.

Technical Notes

For sheet metal doors, cabinets and machinery covers. Spring body can be either welded, or screw mounted.

Pull back pin lever, hinge pin is retracted.
Release pin lever and hinge pin springs

back.

Max. opening angle 110°.

Tips

Spring loaded feature of hinge enables easy assembly and disassembly of panel/door, ideal for maintenance covers.

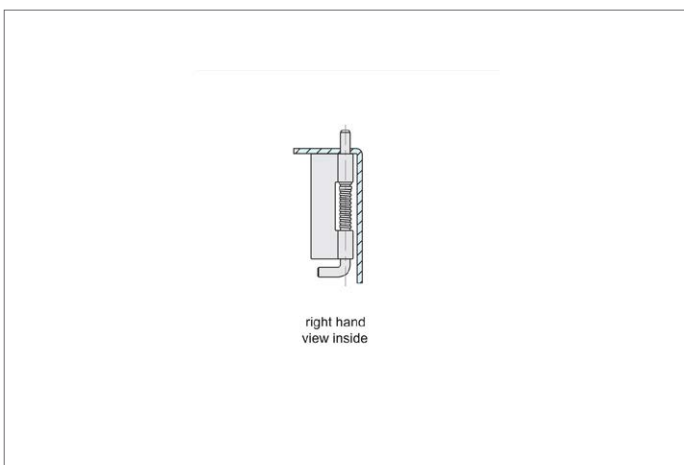
Typical assembly utilises spring loaded hinge at top of door and corresponding

hinge spigot at foot of door.

Important Notes

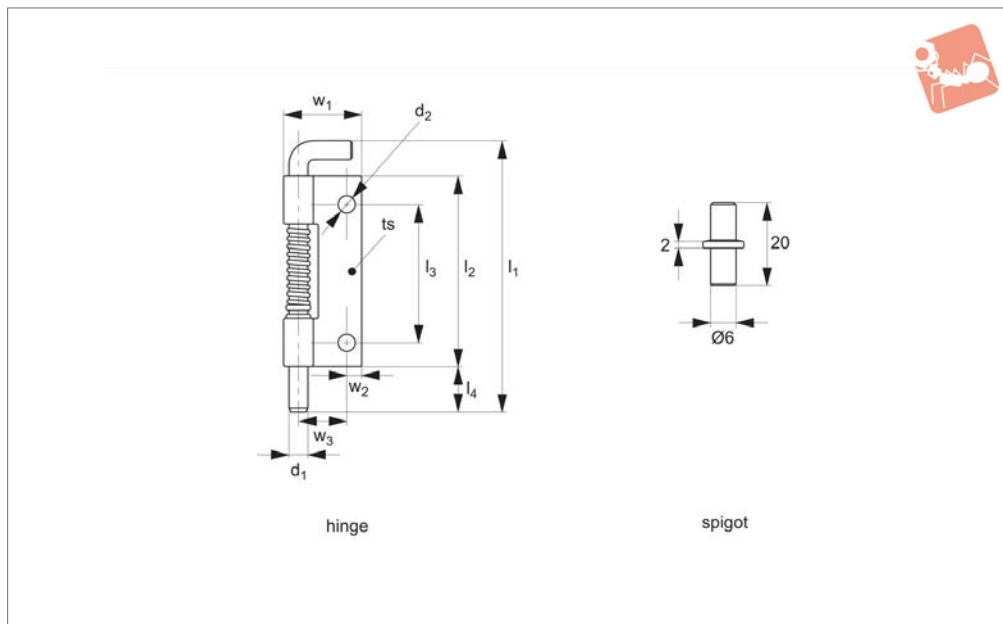
Accessory (optional) this accessory is used as an alternative to the hinge with pin, usually fitted at the bottom of the door as load-bearing fixing door.

Order No.	Type	l_1	w_1	d_1	F_x N	F_y N	l_2	l_3	ts
S2202.AW0063	Left	89	26.4	6	150	200	62.5	15	2
S2202.AW0163	Right	89	26.4	6	150	200	62.5	15	2





S2205



Material

Body: steel, zinc plated.

Technical Notes

For sheet metal doors, cabinets and machinery covers. Spring body can be either welded, or screw mounted.

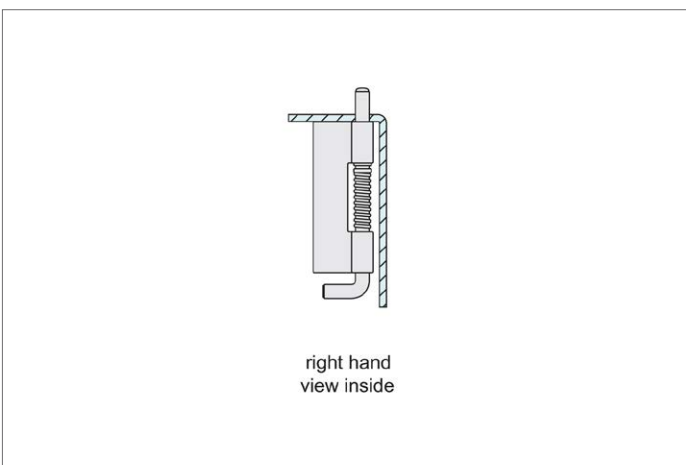
Pull back pin lever, hinge pin is retracted.
Release pin lever and hinge pin springs back.
Max. opening angle 110°.

Tips

Spring loaded feature of hinge enables

easy assembly and disassembly of panel/door, ideal for maintenance covers.
Typical assembly utilises spring loaded hinge at top of door and corresponding hinge spigot at foot of door.

Order No.	Hand	l_1	w_1	d_1	d_2	F_x N	F_y N	l_2	l_3	l_4	w_2	w_3	ts
S2205.AW0032	Left	52	16.5	4	3.2	150	200	32.0	19	10	5	8.5	2
S2205.AW0132	Right	52	16.5	4	3.2	100	130	32.0	19	10	5	8.5	2
S2205.AW0063	Left	89	26.5	6	5.5	150	200	62.5	45	15	6	15.2	2
S2205.AW0163	Right	89	26.5	6	5.5	150	200	62.5	45	15	6	15.2	2



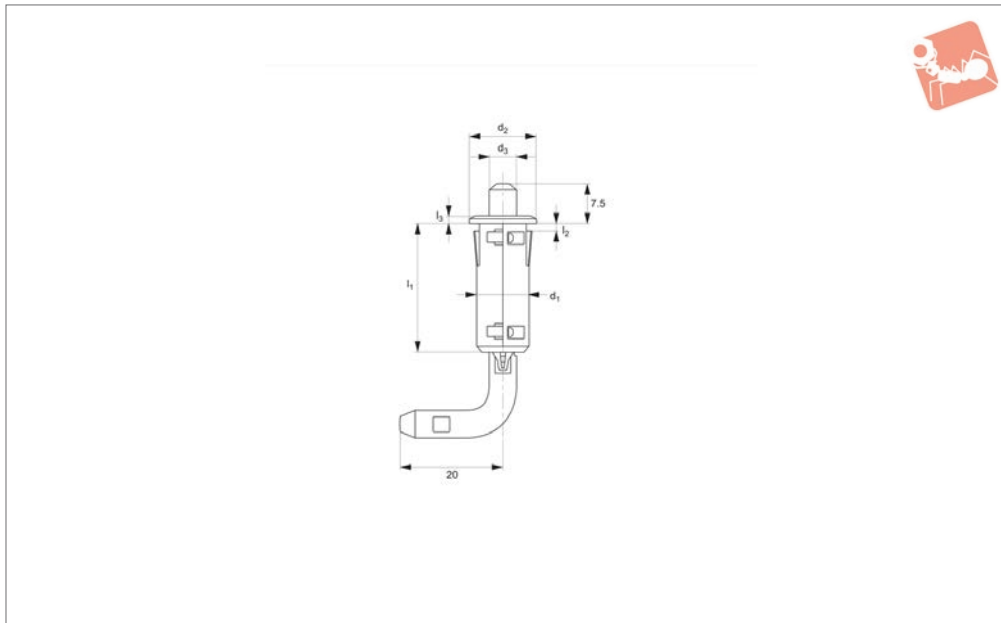


End Mount Concealed Pivot Hinge

spring loaded - snap fit - polyamide



Hinges



S2212

HINGES

Material

Body: polyamide, black PA 6 GRF30.
Pin: stainless steel.
Latch: die cast zinc, white zinc plated.

very covers. Clip fix for easy assembly.
Pull back pin lever, hinge pin is retracted.
Release pin lever and hinge pin springs back. Opening angle 180°.

easy assembly and disassembly of panel/
door, ideal for maintenance covers.
Max. opening angle 110°.

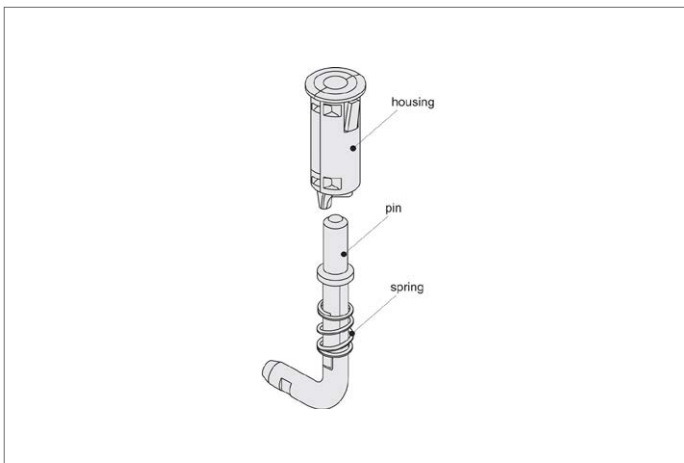
Technical Notes

For sheet metal doors, cabinets and machi-

Tips

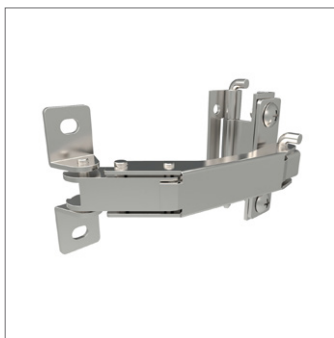
Spring loaded feature of hinge enables

Order No.	l_1	d_1	d_2	d_3	l_2	l_3
S2212.AW0005	24.5	10	13	5	7.5	1.5

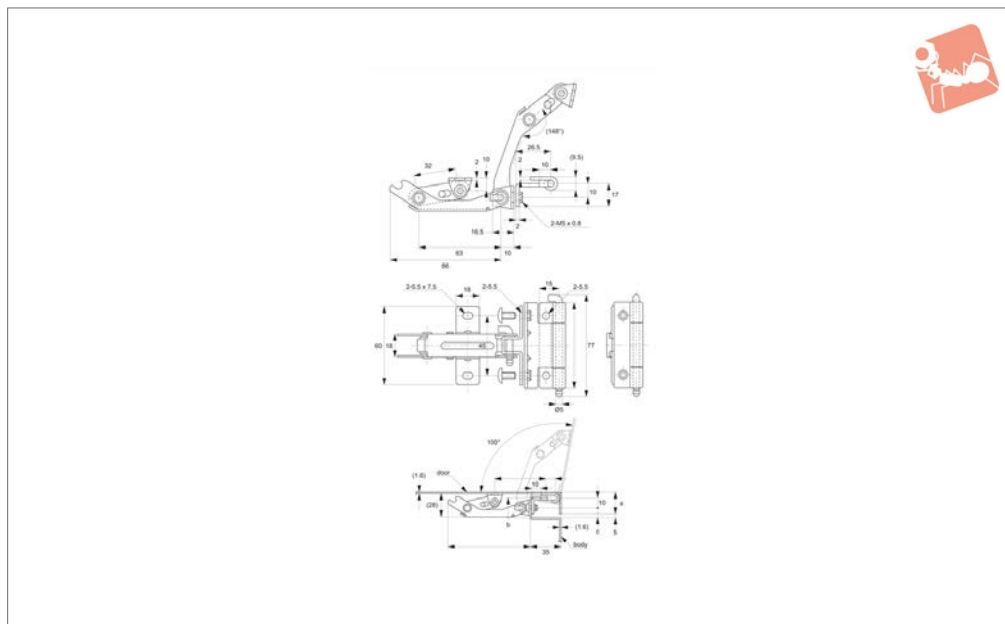




HINGES



S2250



Material

Stainless steel, AISI 304.

Technical Notes

Combined hinge and stay easily installed/ removed via installation pin. Ideal for

removal of machine/equipment covers for maintenance.

Tips

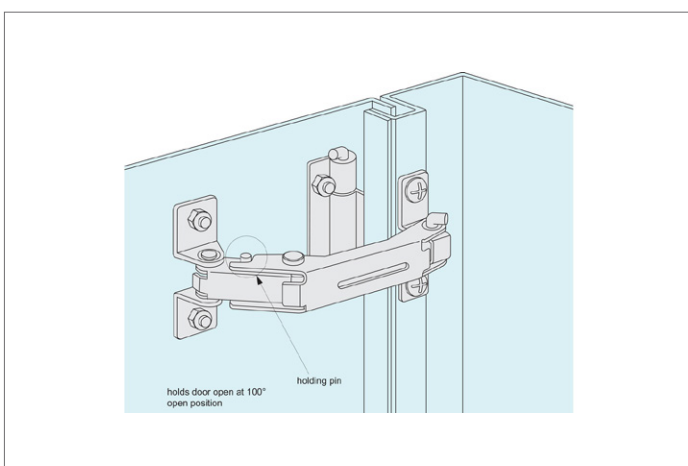
Particularly suited to gaming industry. Nature of hinges movement enables

machine cover and body to be fully sealed to prohibit tampering or interference.

Important Notes

Suitable for doors up to 10Kg (as pair). Holding force: 30kgf/cm each.

Order No.	Type	Weight g
S2250.AC0010	Stainless Steel	190

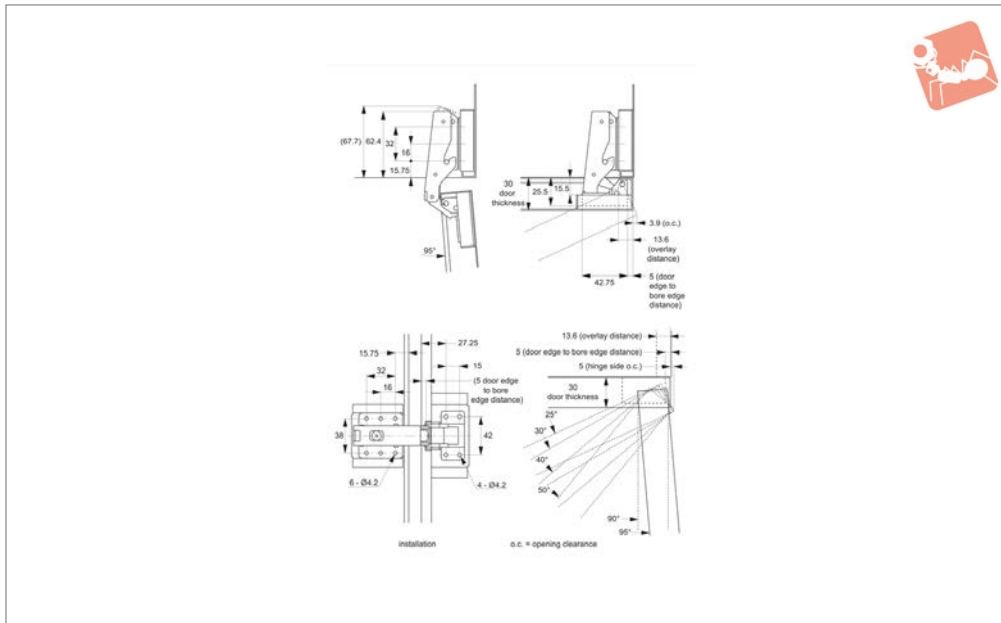




Recessed Fitting - Snap-On Easy screw mount - steel



Hinges



S2260

HINGES

Material

Steel, nickel plated.

Technical Notes

Snap-on feature allows easy installation and removal of door panel, especially suitable for maintenance. Max. opening

angle 95°.

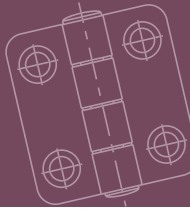
Tips

Hinge enables opening of doors without interference with side panels and hence ideal where two doors are mounted close together.

Important Notes

When correctly installed hinges require only a 3.9mm opening clearance between units.

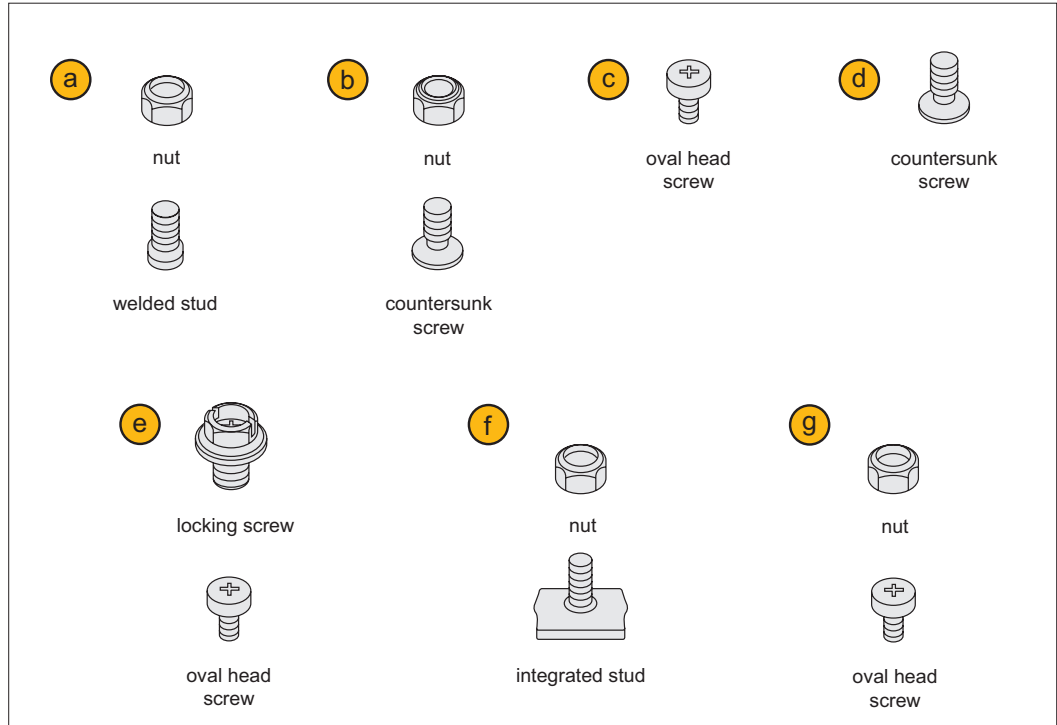
Order No.	Type	Weight g
S2260.AC0010	Hinge	138
S2260.AC0050	Mounting Plate	81



A variety of mounting methods are available!

Mounting combinations

Wixroyd concealed hinges can be mounted in a variety of ways using additional nuts and bolts.



Important Note: Refer to individual product pages for suitable mounting options. If you have any problems please contact our Technical Sales Team.

Mounting example

In the example, mounting option ②, a nut with a countersunk screw, is used to mount the hinge onto the enclosure body.

