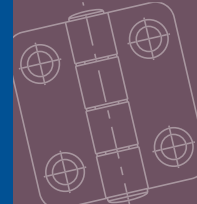


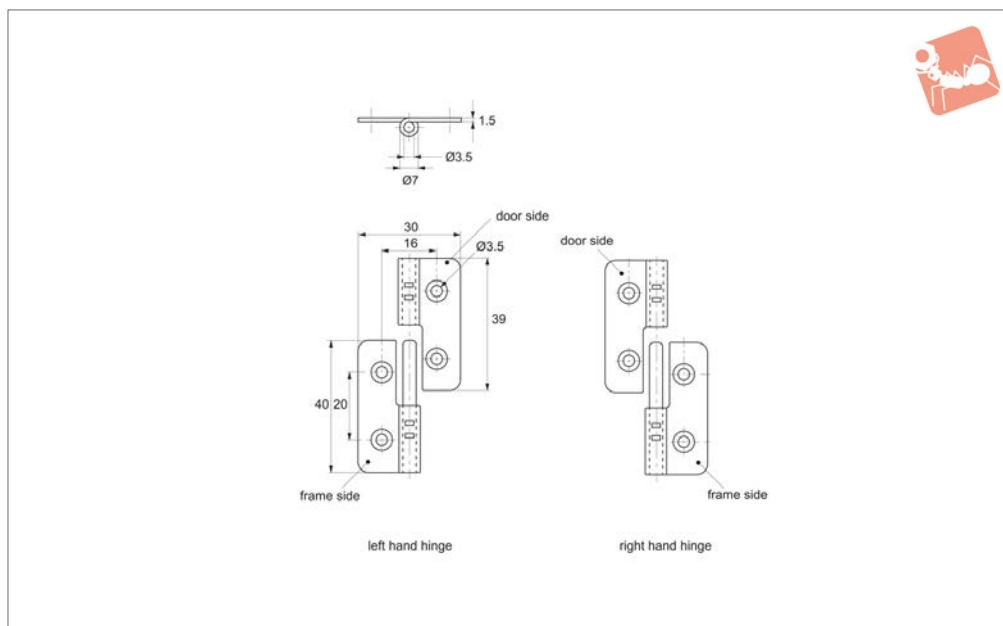


Lift-Off Hinges - Off-Set

screw mount - stainless steel



Hinges



S2300

HINGES

Material

Stainless steel, AISI 304, polished finish.

Important Notes

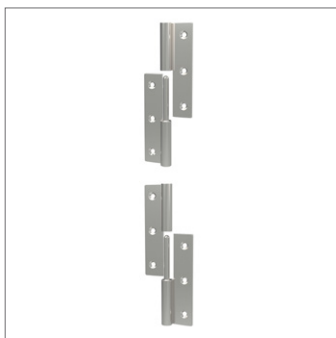
Product stamped with an „L“ does not

mean it is a left hand hinge - it fixes to the right hand part of the frame.

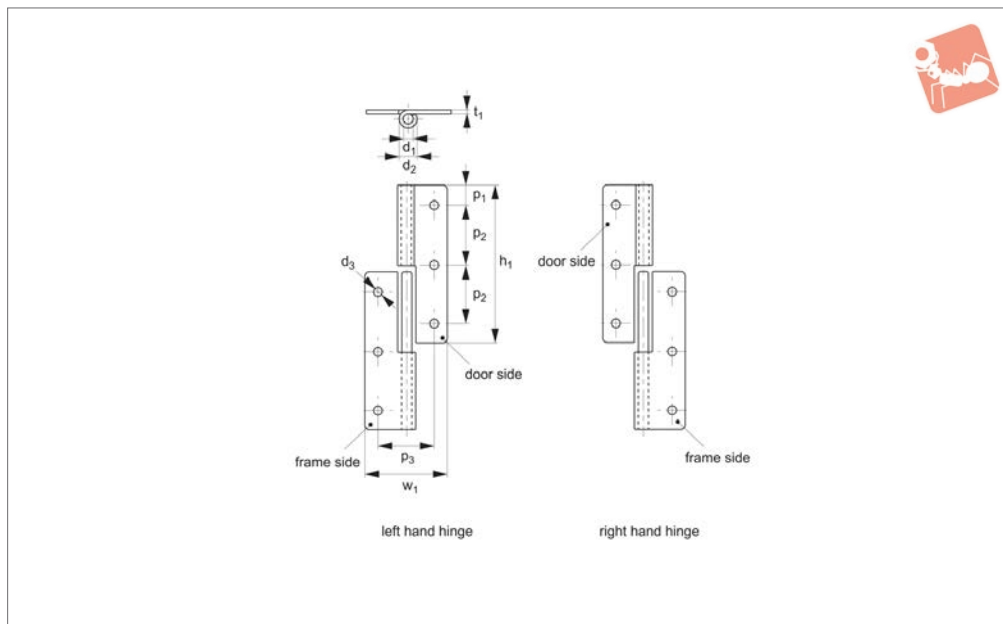
Product stamped with an „R“ does not mean it is a right hand hinge - it fixes to

the left hand side of the frame.

Order No.	t	Type	Weight g
S2300.AC0010	1.5	Right	21
S2300.AC0110	1.5	Left	21



S2320



Material

Stainless steel, AISI 304, polished finish.

Technical Notes

Opening angle 180°.

Important Notes

Product stamped with an „L“ does not mean it is a left hand hinge - it fixes to the

right hand part of the frame.

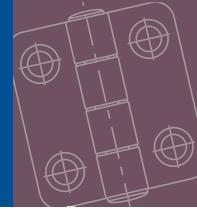
Product stamped with an „R“ does not mean it is a right hand hinge - it fixes to the left hand side of the frame.

Order No.	t	Type	h	w	p ₁	p ₂	p ₃	Ø d ₁	Ø d ₂	Ø d ₃	Weight g
S2320.AC0050	1.5	Right	50	32	5.0	20	21	7.5	4	3.2	32
S2320.AC0064	1.5	Right	64	36	8.0	24	24	7.5	4	3.2	44
S2320.AC0075	2.0	Right	75	38	7.5	30	24	8.5	4	3.2	64
S2320.AC0150	1.5	Left	50	32	5.0	20	21	7.5	4	3.2	32
S2320.AC0164	1.5	Left	64	36	8.0	24	24	7.5	4	3.2	44
S2320.AC0175	2.0	Left	75	38	7.5	30	24	8.5	4	3.2	64

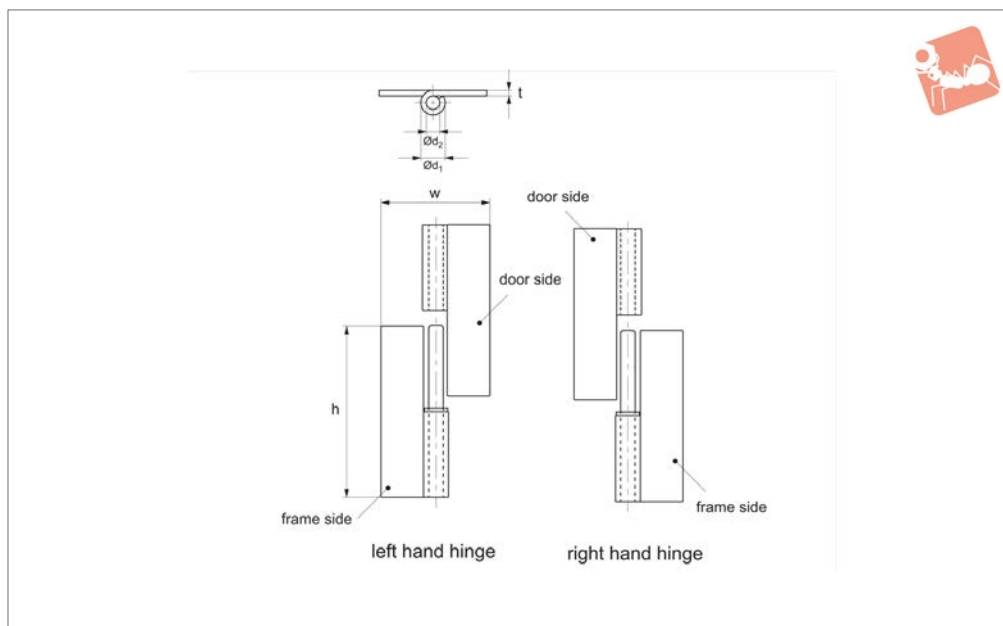


Lift-Off Hinges - Off-Set

weld-on - stainless steel



Hinges



S2340

HINGES

Material

Stainless steel, AISI 304, polished finish.

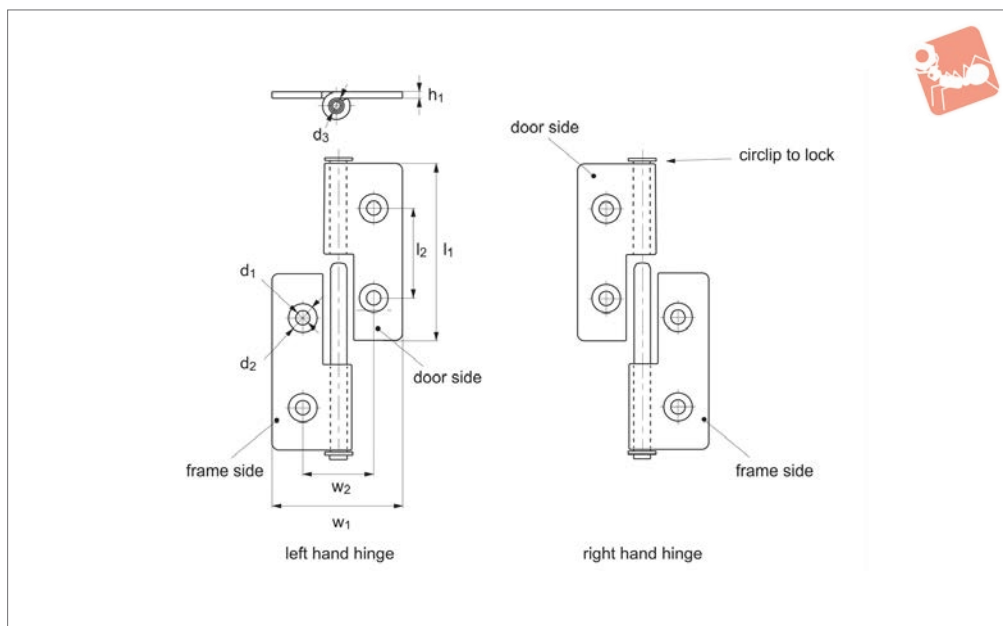
Order No.	t	Type	h	w	d_1	d_2	Weight g
S2340.AC0010	4	Right	100	82	16	8	335
S2340.AC0110	4	Left	100	82	16	8	335



HINGES



S2314



Material

Body: stainless steel 304.

Technical Notes

Opening angle 180°.

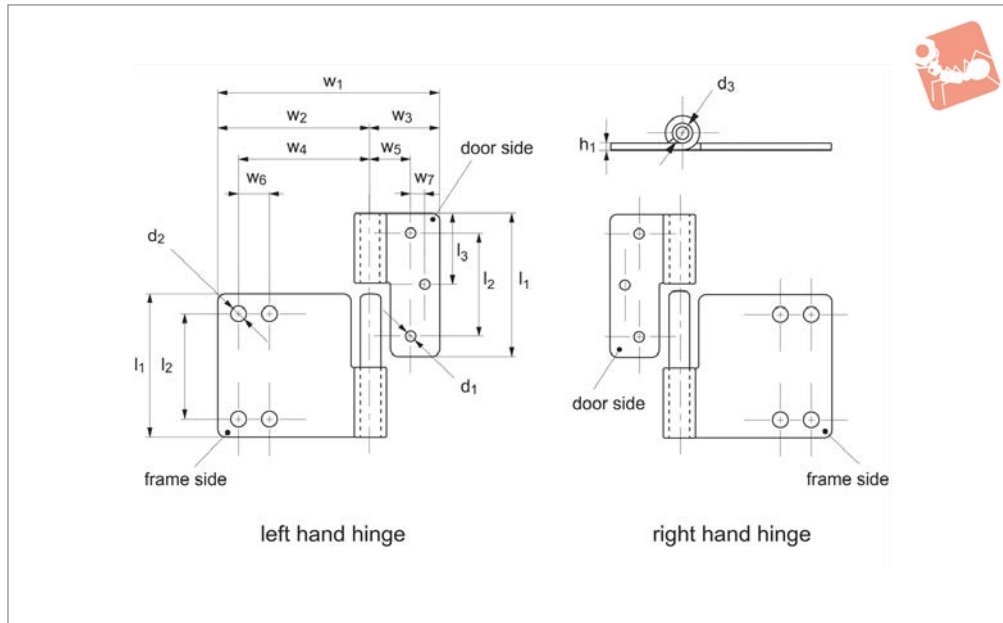
Order No.	Type	l_1	w_1	d_1	d_2	d_3	h_1	l_2	w_2	F_x N	F_y N
S2314.AW0010	Left	40	30	3.1	6.1	3.5	1.5	20	16	305	470
S2314.AW0020	Right	40	30	3.1	6.1	3.5	1.5	20	16	305	470



Lift-Off Hinges - Off set screw mount - stainless steel



Hinges



S2316

HINGES

Material

Body: stainless steel.

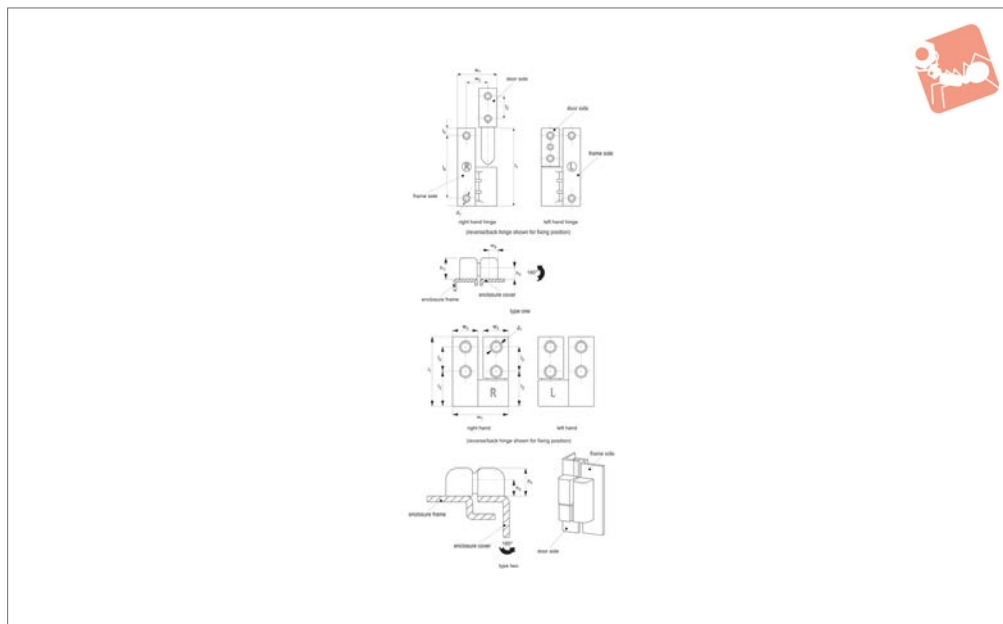
Technical Notes

Opening angle 180°.

Order No.	Type	l_1	w_1	d_1	d_2	d_3	h_1	l_2	l_3	w_2	w_3	w_4	w_5	w_6	w_7	F_x N	F_y N
S2316.AW0010	Left Hand	72	110	4.2	8.1	10	3	52	36	75	35	65	20	15	7.5	1280	630
S2316.AW0020	Right Hand	72	110	4.2	8.1	10	3	52	36	75	35	65	20	15	7.5	1280	630



S2404



Material

Type one: Body: die cast zinc, black powder coated.

Bushing: polyamide.

Type two: Body: die cast zinc, black powder

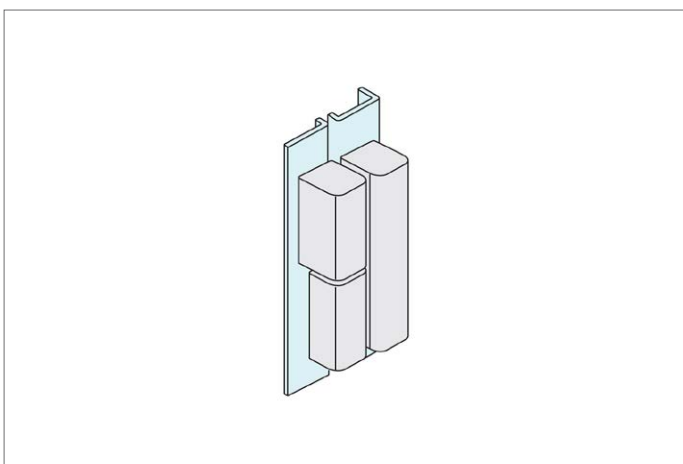
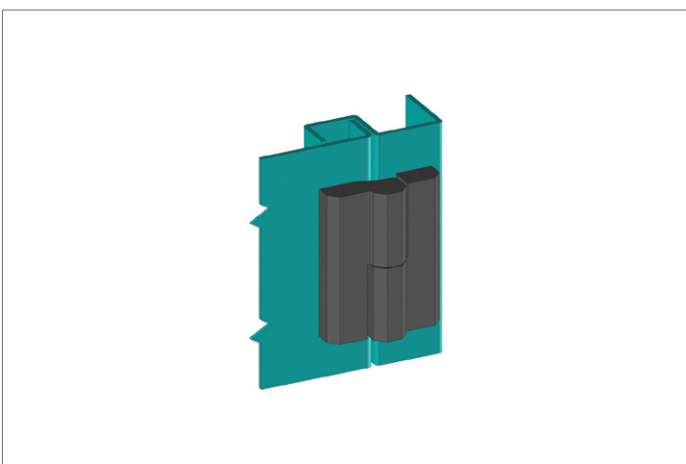
coated.

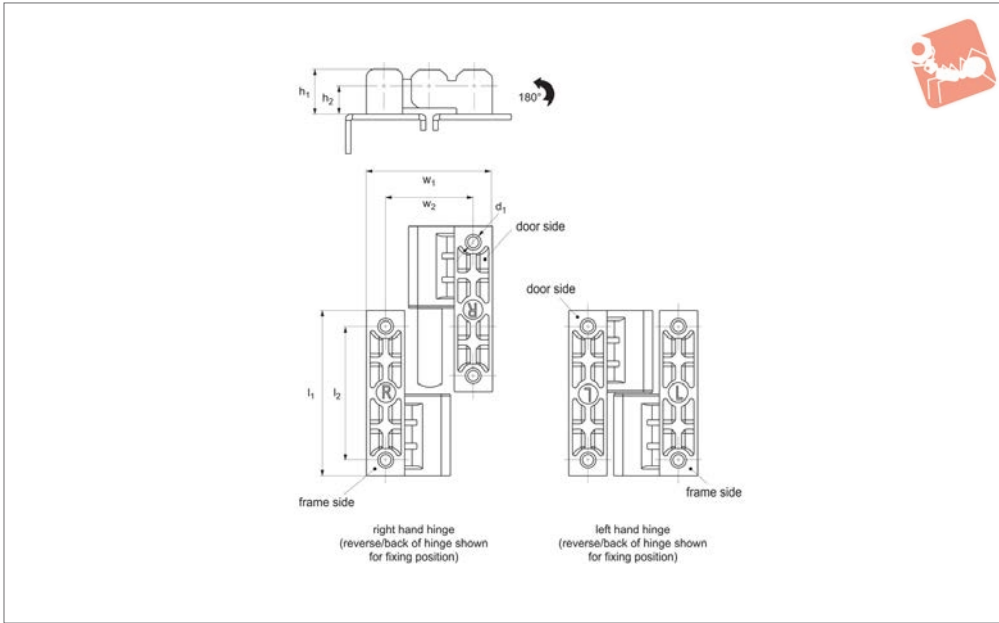
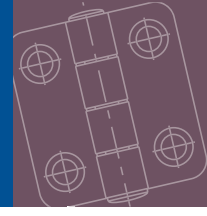
Natural unfinished available on request, subject to minimum order quantity.

Technical Notes

Lift off hinge for plain/flush mounted doors. Concealed mounting screws prevent external access to the hinge. Opening angle 180°.

Order No.	Type	Hand	l_1	w_1	d_1	h_1	h_2	l_2	l_3	l_4	l_5	w_2	w_3	F_x N
S2404.AW0025	One	Right	64.0	32.5	M 5	17.5	10.0	19	-	51	6.5	17.5	-	490
S2404.AW0125	One	Left	64.0	32.5	M 5	17.5	10.0	19	-	51	6.5	17.5	-	490
S2404.AW0064	Two	Right	25.5	20.5	M 4	10.0	5.5	9	13	-	-	-	9.4	270
S2404.AW0164	Two	Left	25.5	20.5	M 4	10.0	5.5	9	13	-	-	-	9.4	270





S2406

HINGES

Material

Hinge: die cast zinc.
Bushing: polyamide.

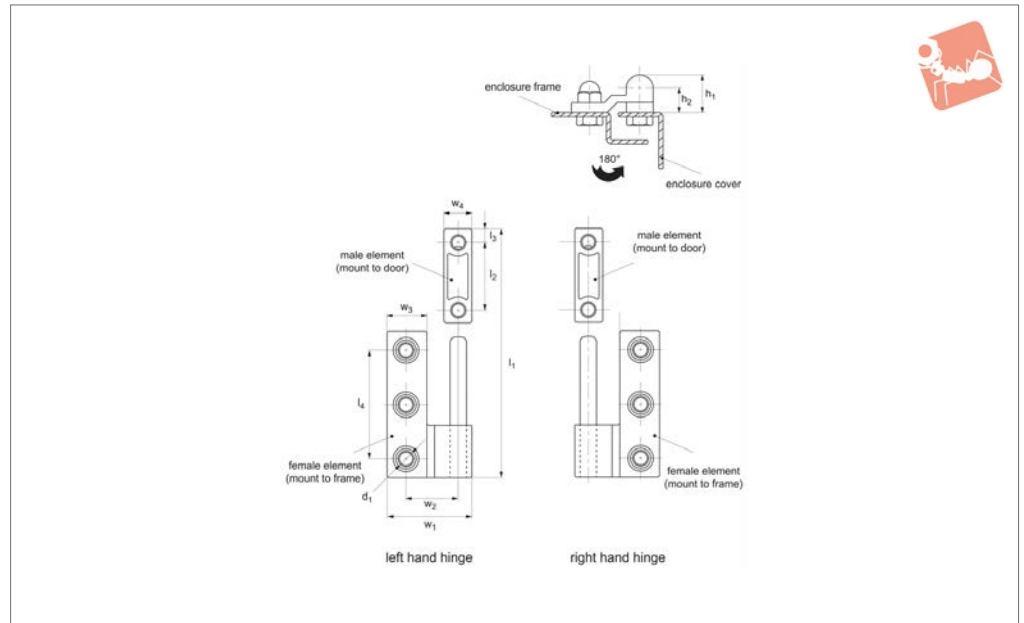
Technical Notes

Opening angle 180°.

Order No.	Type	l_1	w_1	d_1	h_1	h_2	l_2	w_2	F_x N	F_y N
S2406.AW0064	Right	64	50	M5	17.5	10	51	35	3300	880
S2406.AW0164	Left	64	50	M5	17.5	10	51	35	3300	880



S2408



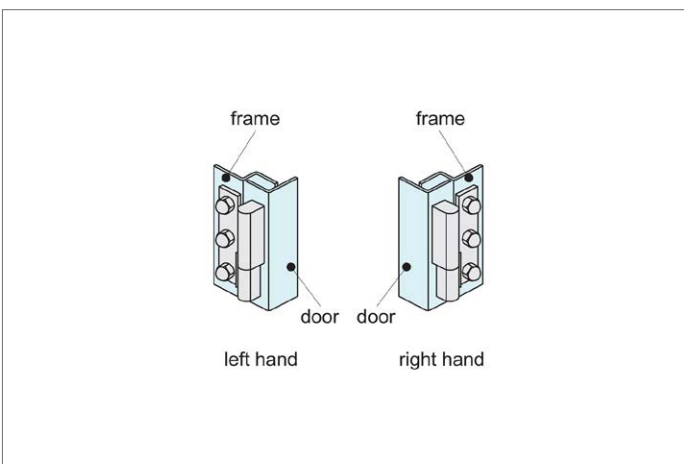
Material

Body: die cast zinc, black powder coated.
Pin: steel, nickel plated.

Technical Notes

Opening angle 180°.

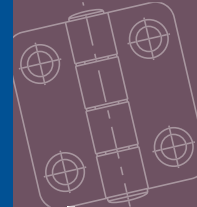
Order No.	Type	l_1	w_1	d_1	h_1	h_2	l_2	l_3	l_4	w_2	w_3	w_4
S2408.AW0062	Right	62	36	M6	16	10	29	5.5	46	22	16	12
S2408.AW0162	Left	62	36	M6	16	10	29	5.5	46	22	16	12



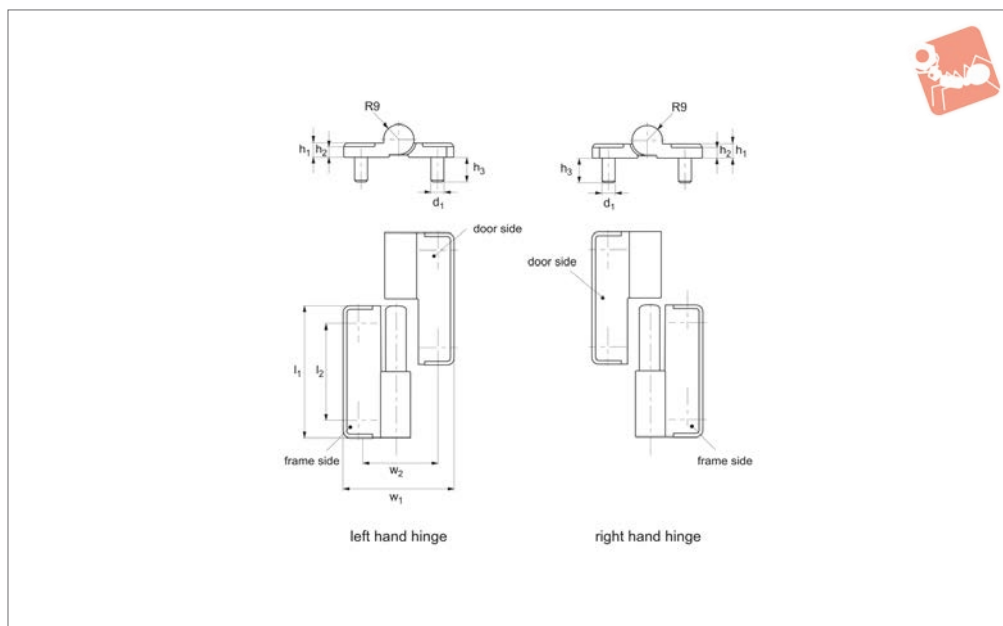


Lift-Off Hinges - In Line

bolt on - zinc



Hinges



S2420

HINGES

Material

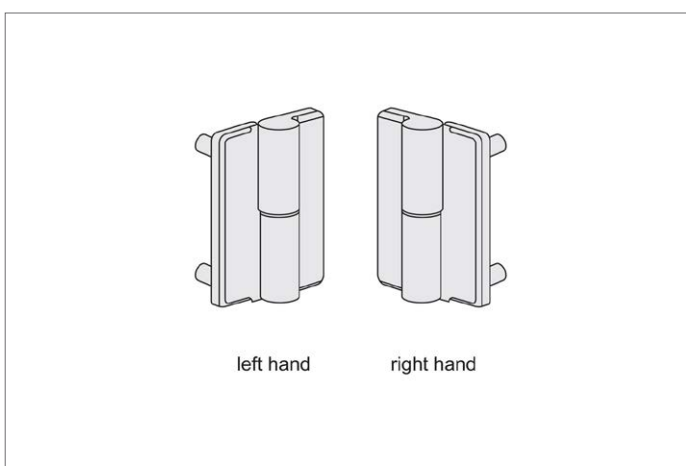
Hinge: die cast zinc, black powder coated.
Screw: stainless steel.

Technical Notes

Using a left and a right handed hinge the door will not be removable, where as using

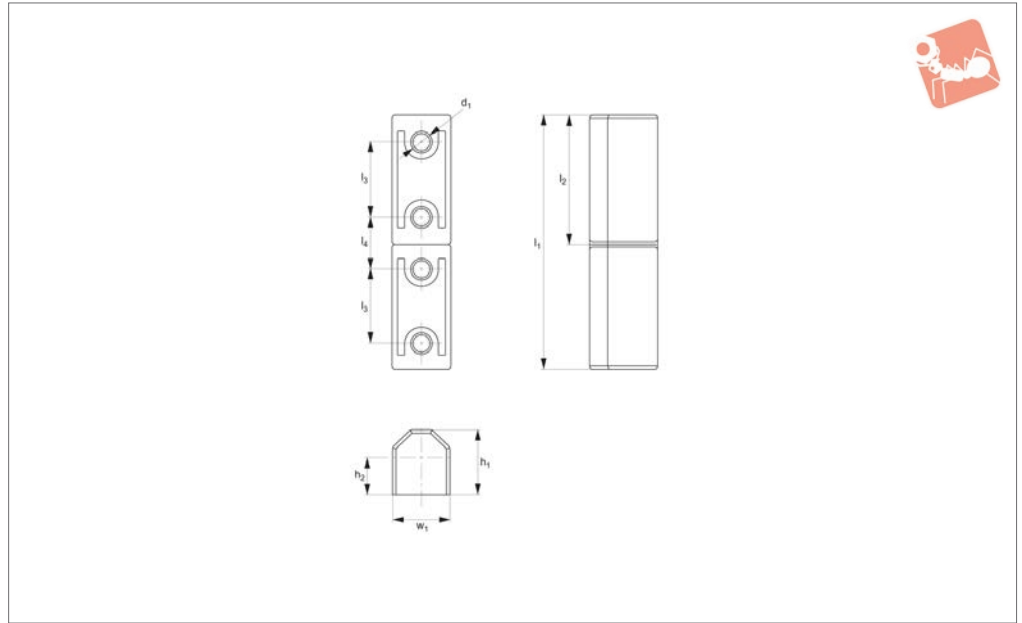
two hinges of the same type the door will be removable. Opening angle 180°.

Order No.	Type	l_1	w_1	d_1	h_1	h_2	h_3	l_2	w_2	F_x N	F_y N
S2420.AW0010	Left	80	64	M 8	10	8	14	60	45	1500	1800
S2420.AW0110	Right	80	64	M 8	10	8	14	60	45	1500	1800





S2500



Material

Body: die cast zinc, chrome plated or black powder coated.
 Bushing: polyamide.

Technical Notes

Universal left or right hand opening doors.
 For external mounting on cabinets, surface mounted doors, sheet metal doors etc.

Mounting via concealed 4xM 5 screws.
 Opening angle 180°.

Order No.	Finish	l_1	w_1	d_1	h_1	h_2	l_2	l_3	l_4	F_x N	F_y N
S2500.AW0010	Chrome	64	15	M 5	17	10	32	19	13	600	1500
S2500.AW0020	Black Coated	64	15	M 5	17	10	32	19	13	600	1500