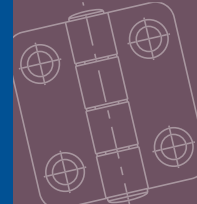


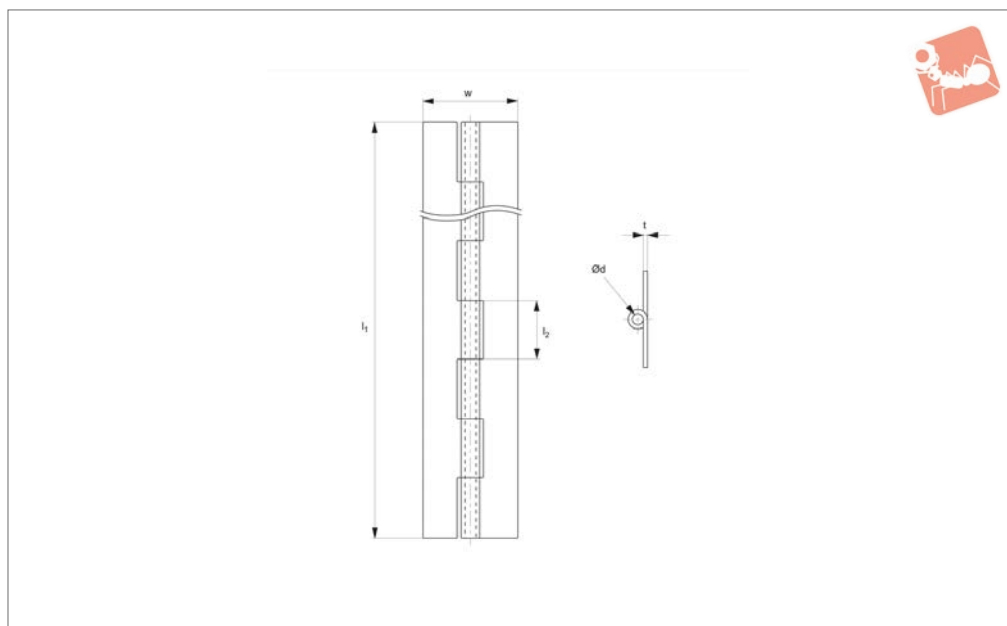


Surface Mount - Piano Hinges

weld-on - stainless steel



Hinges



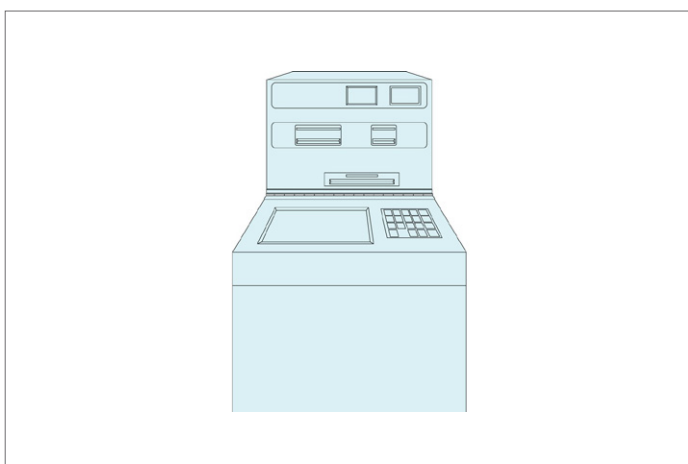
S0050

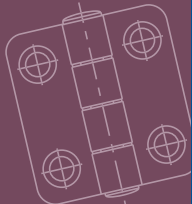
HINGES

Material

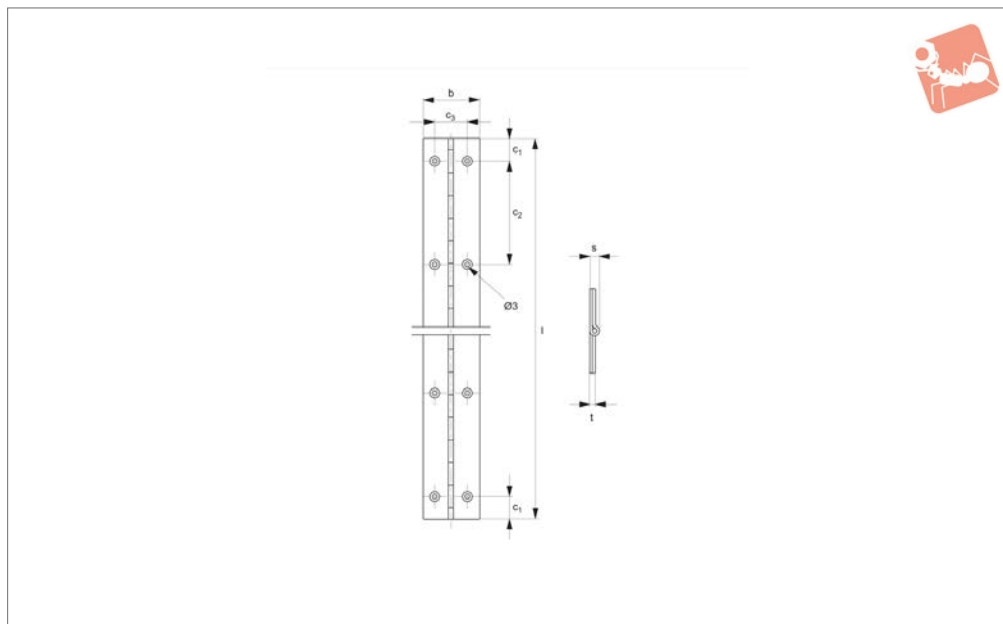
Stainless steel, AISI 304, satin finish.

Order No.	l_1	l_2	t	w	d	Weight g
S0050.AC0202	300	12.5	0.8	25	2.6	66
S0050.AC0206	1000	12.5	0.8	25	2.6	222
S0050.AC0302	300	12.5	0.8	32	2.6	80
S0050.AC0306	1000	12.5	0.8	32	2.6	272
S0050.AC0326	600	20.0	1.5	32	3.5	330
S0050.AC0330	1000	20.0	1.5	32	3.5	574
S0050.AC0382	1000	20.0	1.5	38	3.5	615
S0050.AC0502	1000	20.0	1.5	50	3.5	759
S0050.AC0552	1000	50.0	2.0	50	5.0	774





S0100



Material

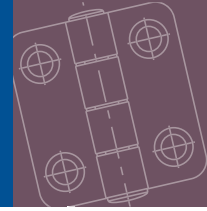
Stainless steel, AISI 304, satin finish.

Order No.	b	c ₁	c ₂	c ₃	l	s	t	Holes	Weight g
S0100.AC0324	30	10.5	43.5	17	240	3.5	1.2	12	65
S0100.AC0330	30	10.5	46.3	17	300	3.5	1.2	14	80
S0100.AC0336	30	15.0	47.0	17	360	3.5	1.2	16	95
S0100.AC0345	30	14.5	60.0	17	450	3.5	1.2	16	120
S0100.AC0360	30	14.0	63.3	17	600	3.5	1.2	20	190
S0100.AC0390	30	14.0	62.3	17	900	3.5	1.2	30	280

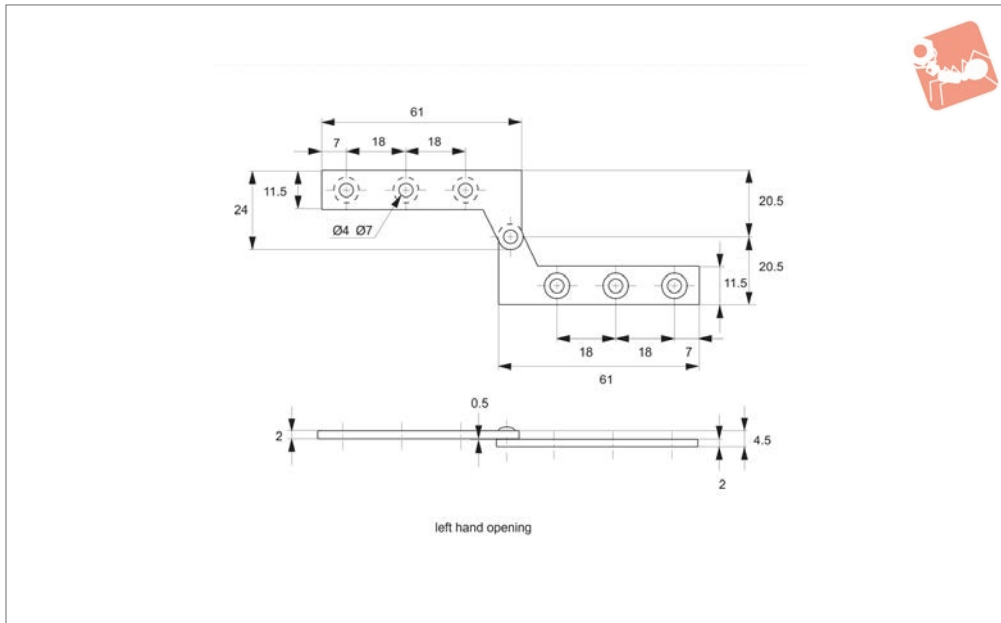


Surface Mount - Pivot Hinges

inset - stainless steel



Hinges



S0200

HINGES

Material

Stainless steel, AISI 430, satin finish.

Technical Notes

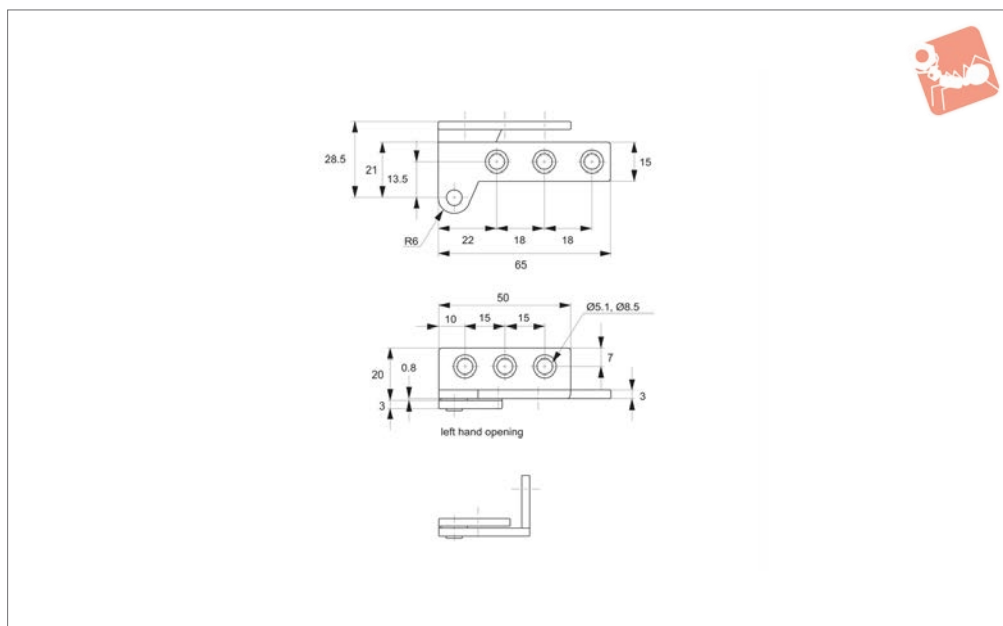
Max. door size: 450w x 700h x 21mm thick.

Max. door weight: 2,6Kg per hinge pair.

Order No.	Type	Weight g
S0200.AC0110	Left	22
S0200.AC0010	Right	22



S0220



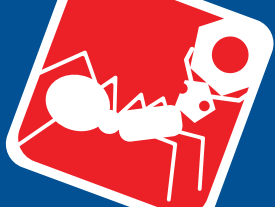
Material

Stainless steel, AISI 430, satin finish.

Technical Notes

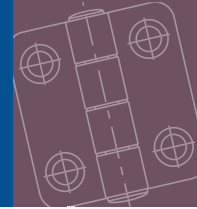
Max. door size: 450w x 700h x 21mm thick.
 Max. door weight: 2,6Kg per hinge pair.

Order No.	Type	Weight g
S0220.AC0110	Left	55
S0220.AC0010	Right	55

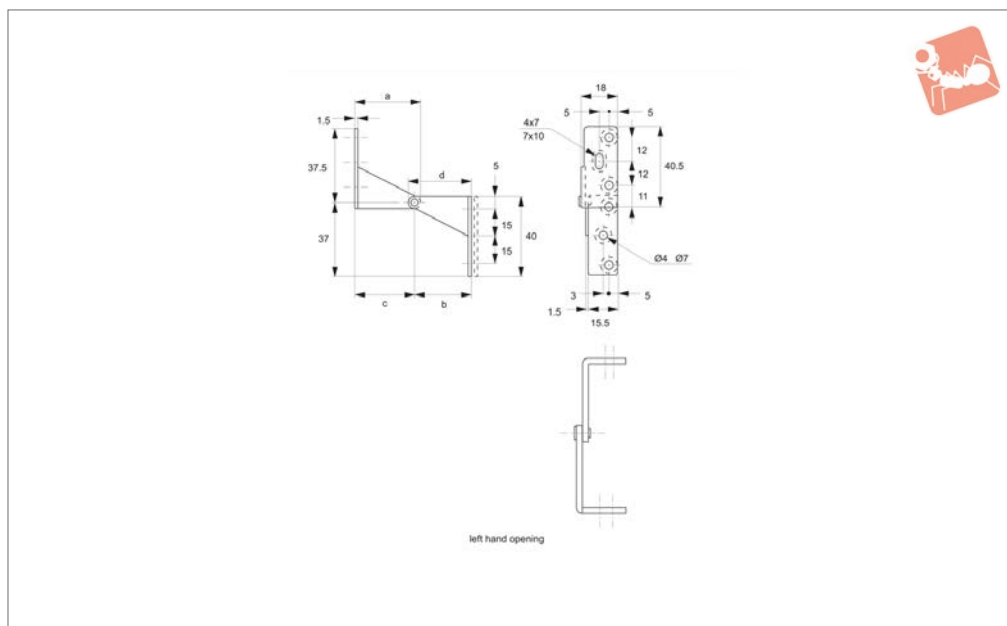


Surface Mount - Pivot Hinges

overlay - stainless steel



Hinges



S0240

HINGES

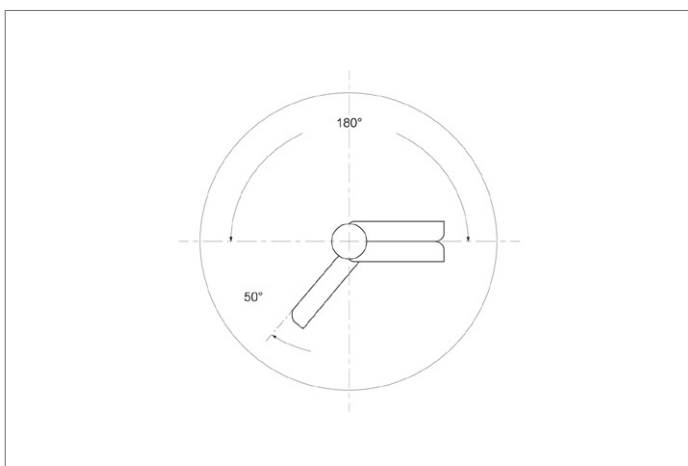
Material

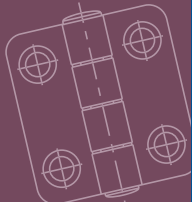
Stainless steel, AISI 430, satin finish.

Technical Notes

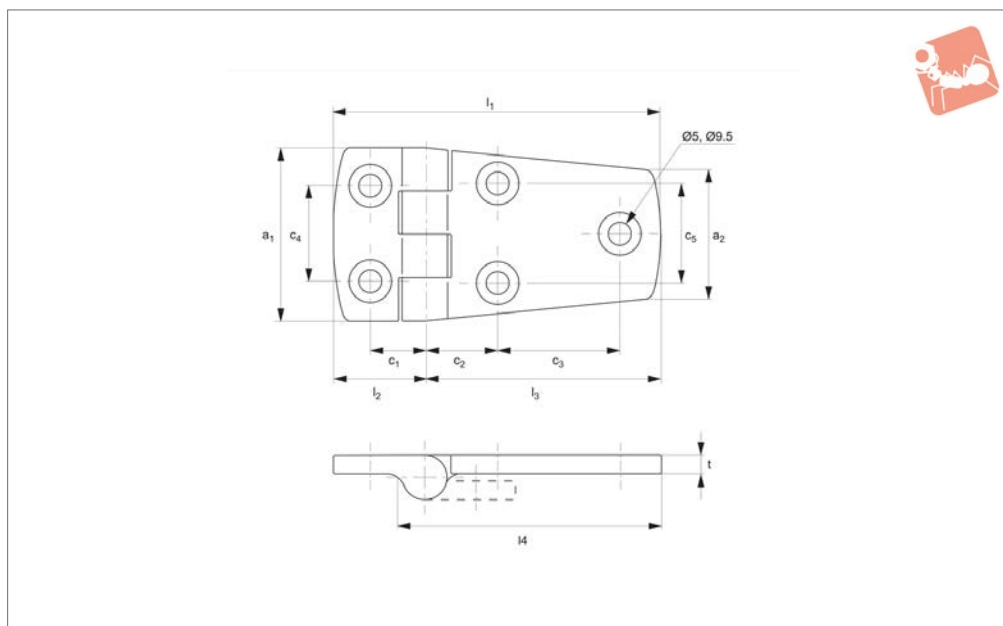
Max. door size: 300w x 700h x 21mm thick.
Max. door weight: 1,8Kg per hinge pair.

Order No.	Type	a	b	c	d	Weight g
S0240.AC0110	Left	34	28	30.5	31	23
S0240.AC0010	Right	34	28	30.5	31	23
S0240.AC0120	Left	28	22	24.5	25	21
S0240.AC0020	Right	28	22	24.5	25	21





S0460



Material

Stainless steel, AISI 316, satin finish.

Technical Notes

Max. door size: 450w x 700h x 21mm thick.

Max. door weight: 4,0Kg per hinge pair.

Order No.	a ₁	a ₂	c ₁	c ₂	c ₃	c ₄	c ₅	l ₁	l ₂	l ₃	l ₄	t	Weight g
S0460.AC0005	38	28	12	13.5	16.5	21	20	58	20	38	42	4	70
S0460.AC0007	38	28	12	16.0	27.0	22	21	72	20	52	57	4	85

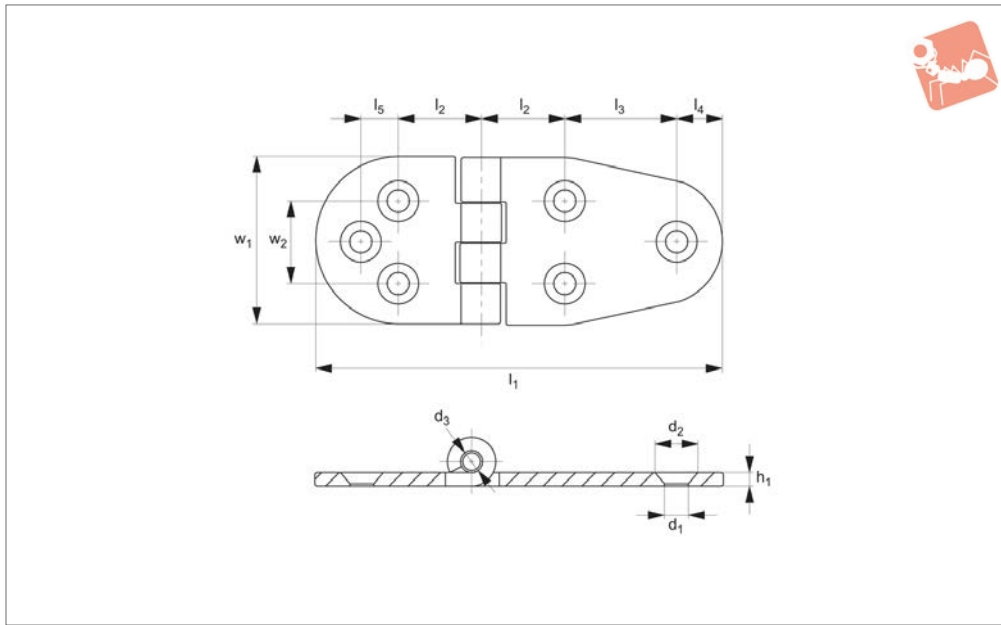


Surface Mount - Leaf Hinges

screw mount - stainless steel



Hinges



S0462

HINGES

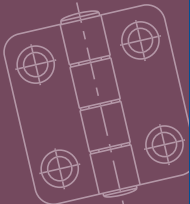
Material

Hinge: stainless steel.

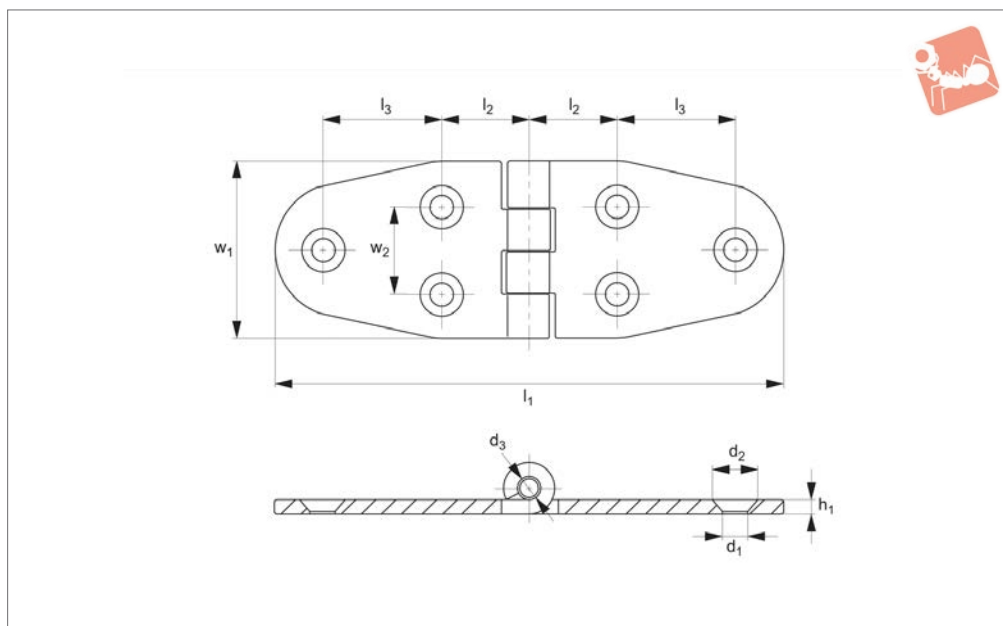
Technical Notes

Opening angle 180°.

Order No.	h_1	l_1	l_2	l_3	l_4	l_5	w_1	w_2	F_x N	F_y N	d_1	d_2	d_3
S0462.AW0040	2.5	99.5	20	27	12.7	9	40	20	520	600	5.6	10	5



S0464



Material

Hinge: stainless steel.

Technical Notes

Opening angle 180°.

Order No.	h_1	l_1	l_2	l_3	w_1	w_2	F_x N	F_y N	d_1	d_2	d_3
S0464.AW0040	2.5	119.5	20	27	40	20	520	600	5.6	10	5

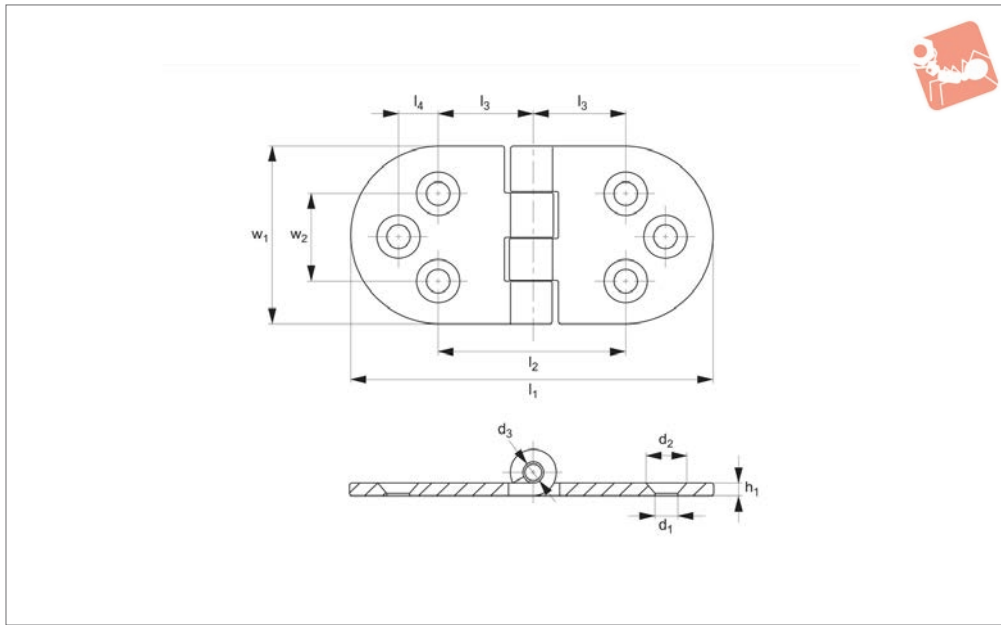


Surface Mount - Leaf Hinges

screw mount - stainless steel



Hinges



S0466

HINGES

Material

Hinge: stainless steel.

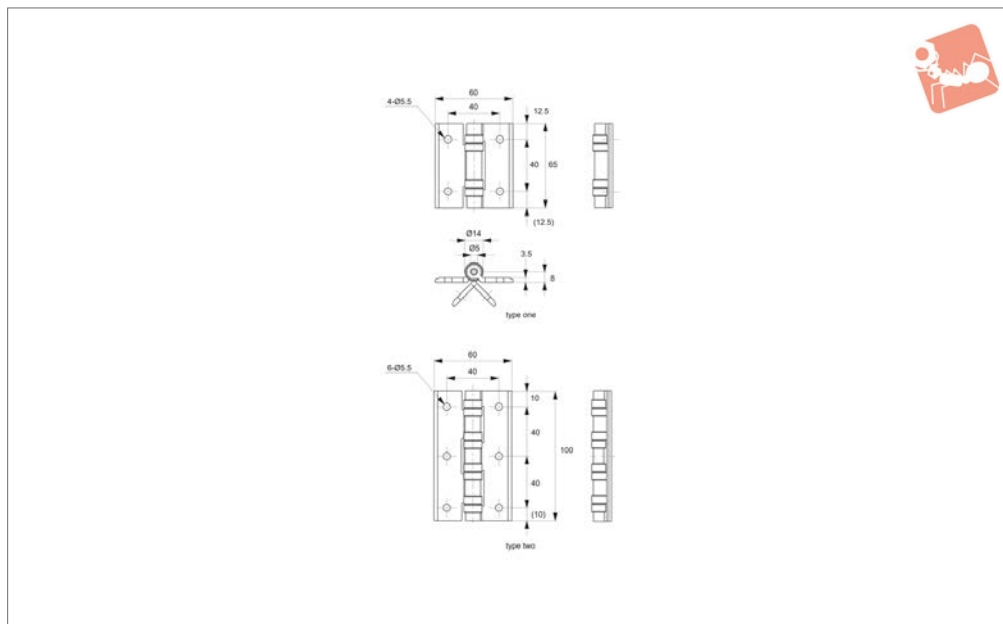
Technical Notes

Opening angle 180°.

Order No.	h_1	l_1	l_2	l_3	l_4	w_1	w_2	F_x N	F_y N	d_1	d_2	d_3
S0466.AW0040	2.5	79.5	58	20	9	40	20	520	600	5.6	10	5



S0600



Material

Body: aluminium.
Spacer: polyacetal.
Pin: stainless steel, AISI 304.

Technical Notes

Due to unique spacers, hinge generates no friction powder and is ideal for semiconductor rooms, clean rooms, medical and

food processing applications.

Order No.	Type	Load/pair kg max.	Weight g
S0600.AC0065	Type one	8	60
S0600.AC0100	Type two	13	100

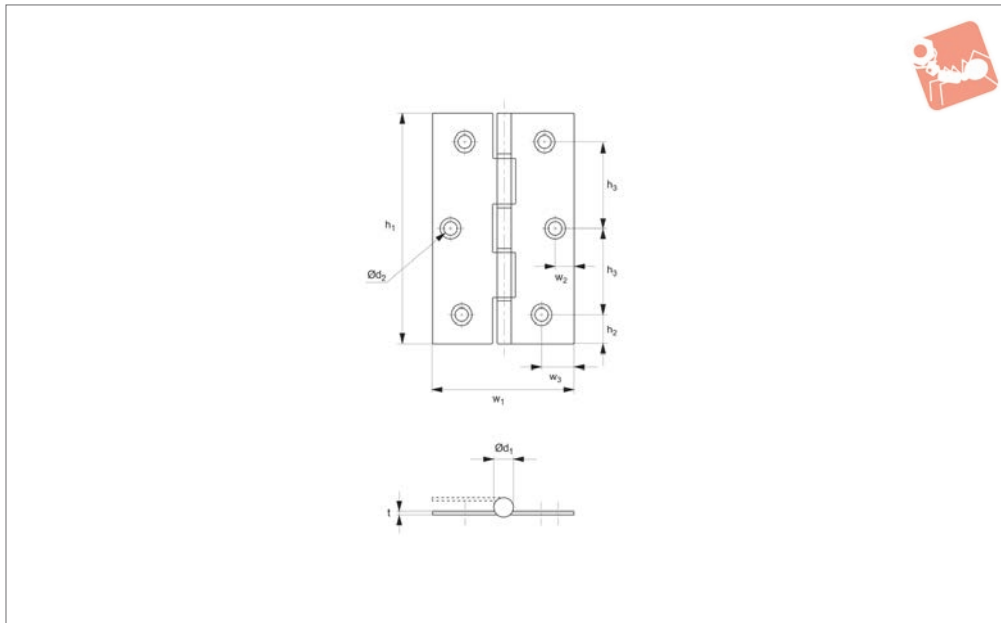


Surface Mount - Leaf hinges

with polyacetal bushing - screw mount - **stainless**



Hinges



S0700

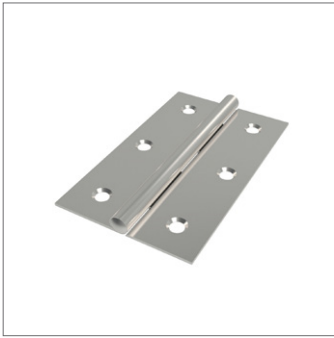
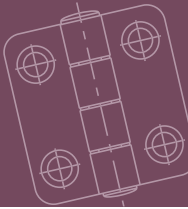
HINGES

Material

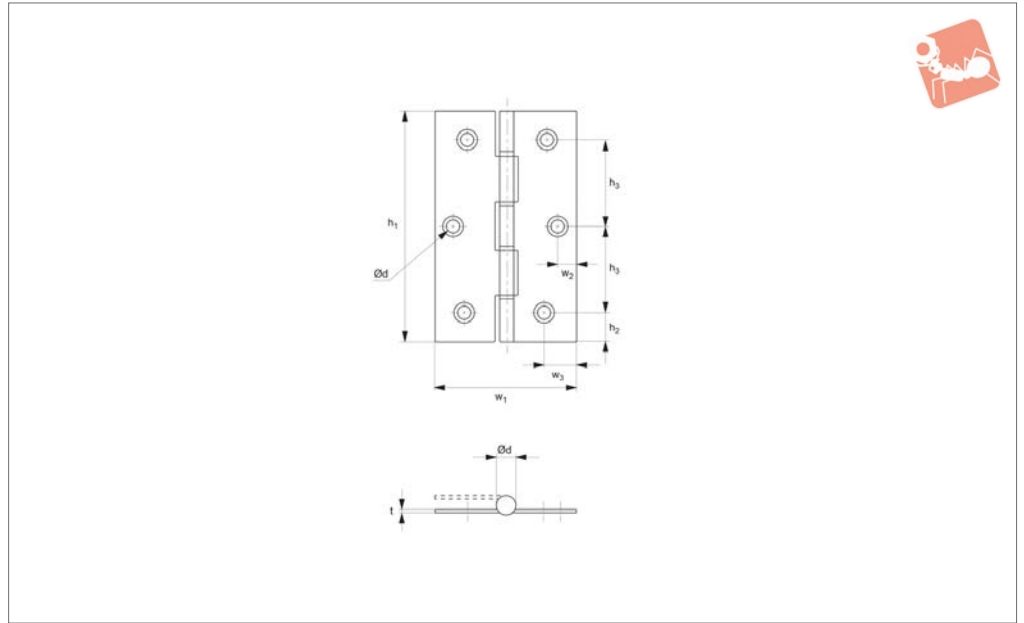
Body: stainless steel, AISI 304, polished finish.

Bushing: polyacetal.

Order No.	h_1	h_2	h_3	t	w_1	w_2	w_3	d_1	d_2	No. of knuckles	No. of mounting holes	Weight g
S0700.AC0005	51	7.5	36	1.3	39.0	-	7.0	6.2	4.2	3	4	27.4
S0700.AC0006	64	7.0	25	1.3	42.5	6.0	8.0	6.2	5.0	5	6	36.5
S0700.AC0007	76	9.0	29	1.5	50.0	7.0	9.0	7.4	5.2	5	6	59.5
S0700.AC0008	89	10.5	34	1.7	56.5	7.5	10.5	9.0	5.4	5	6	91.6
S0700.AC0010	102	9.0	28	1.8	70.0	9.0	14.0	9.5	6.0	5	8	132.5
S0700.AC0012	127	11.0	35	1.9	82.0	10.5	16.0	11.5	6.0	5	8	231.5



S0720



Material

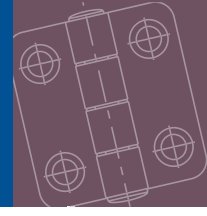
Stainless steel, AISI 304, polished finish.

Order No.	h ₁	h ₂	h ₃	t	w ₁	w ₂	w ₃	d ₁	d ₂	No. of knuckles	No. of mounting holes	Weight g
S0720.AC0005	51	7.5	36	0.8	34.5	-	6.5	4.8	4.4	5	4	15.2
S0720.AC0006	64	8.0	24	0.9	40.0	5.5	9.0	5.0	4.2	5	6	23.8
S0720.AC0007	76	10.0	28	1.0	46.0	7.5	10.0	6.0	4.5	5	6	37.8
S0720.AC0008	89	9.5	35	1.2	56.0	8.0	12.0	7.0	5.5	5	6	63.6
S0720.AC0010	102	10.5	27	1.4	66.5	9.0	12.0	8.0	5.5	5	8	96.4
S0720.AC0012	127	11.0	35	1.5	82.0	10.0	17.0	9.0	5.4	5	8	161.5

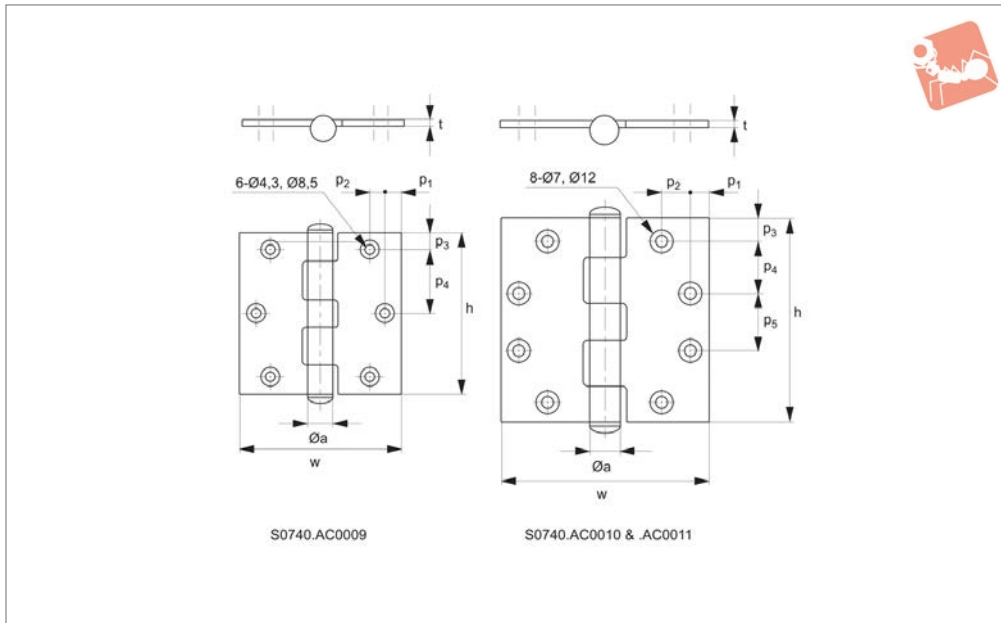


Surface Mount - Leaf Hinge

screw mount - stainless steel



Hinges



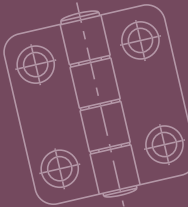
S0740

HINGES

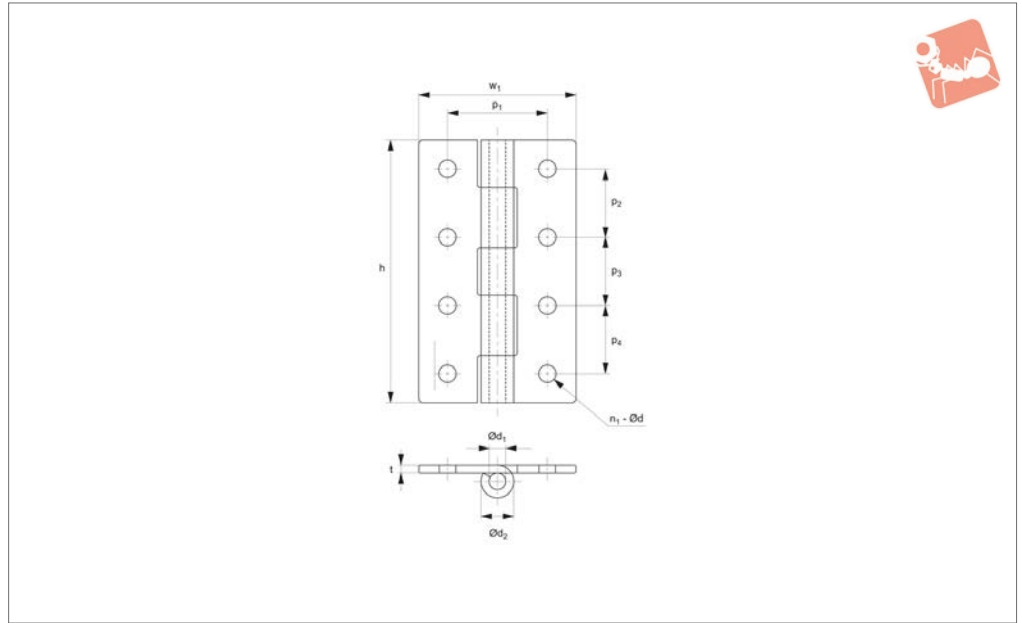
Material

Stainless steel, AISI 304, satin finish.

Order No.	a	h	p ₁	p ₂	p ₃	p ₄	p ₅	t	w	Load/pair kg	Weight g
S0740.AC0009	14.0	89.0	9.1	8.0	9.1	35.4	-	3.0	89.0	25	145
S0740.AC0010	14.8	101.6	9.5	9.5	13.0	25.5	24.6	3.4	101.6	40	195
S0740.AC0011	14.8	114.3	9.5	15.9	12.9	28.6	31.3	3.4	114.3	45	420



S0780



Material

Stainless steel, AISI 304, polished finish.

Order No.	h	n ₁	n ₂	p ₁	p ₂	p ₃	p ₄	t	w	d ₁	d ₂	d ₃	Load/pair kg	Weight g
S0780.AC0040	40	4	3	22	26	-	-	1.5	35	3.2	3.0	6.3	6	25
S0780.AC0050	50	4	3	22	34	-	-	1.5	35	4.3	3.0	6.3	8	30
S0780.AC0065	65	6	5	30	23	23	-	2.0	50	4.3	4.5	8.8	13	64
S0780.AC0075	75	6	5	30	27	27	-	2.0	50	5.3	4.5	8.8	15	74
S0780.AC0090	90	6	5	38	35	35	-	3.0	60	6.4	6.0	12.3	25	180
S0780.AC0100	100	8	5	38	26	26	26	3.0	60	6.4	6.0	12.3	30	195

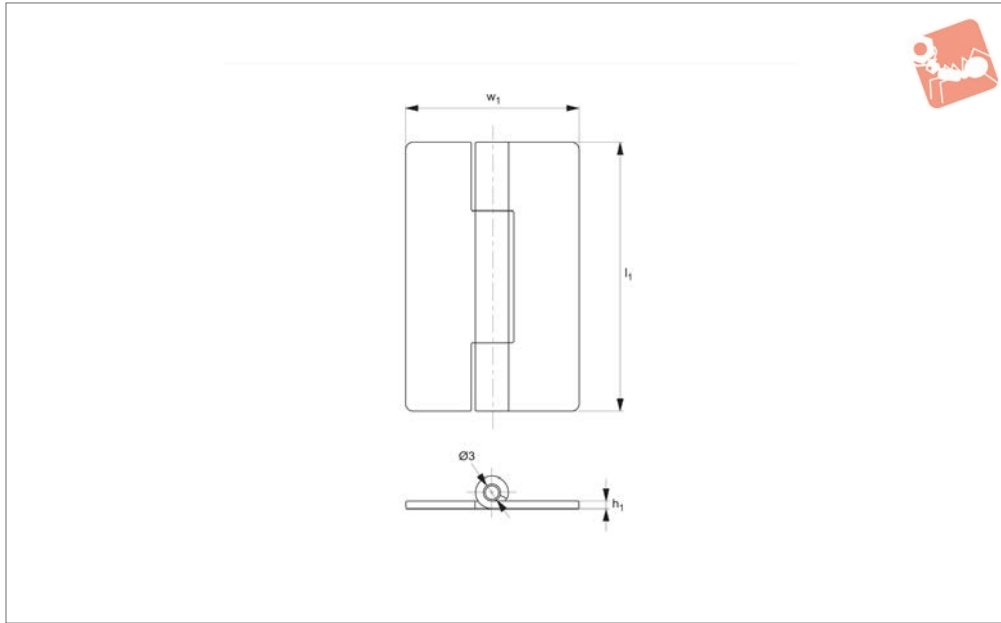


Surface Mount - Leaf Hinges

weld-on - stainless steel



Hinges



S0730

HINGES

Material

Hinge: polished stainless steel.

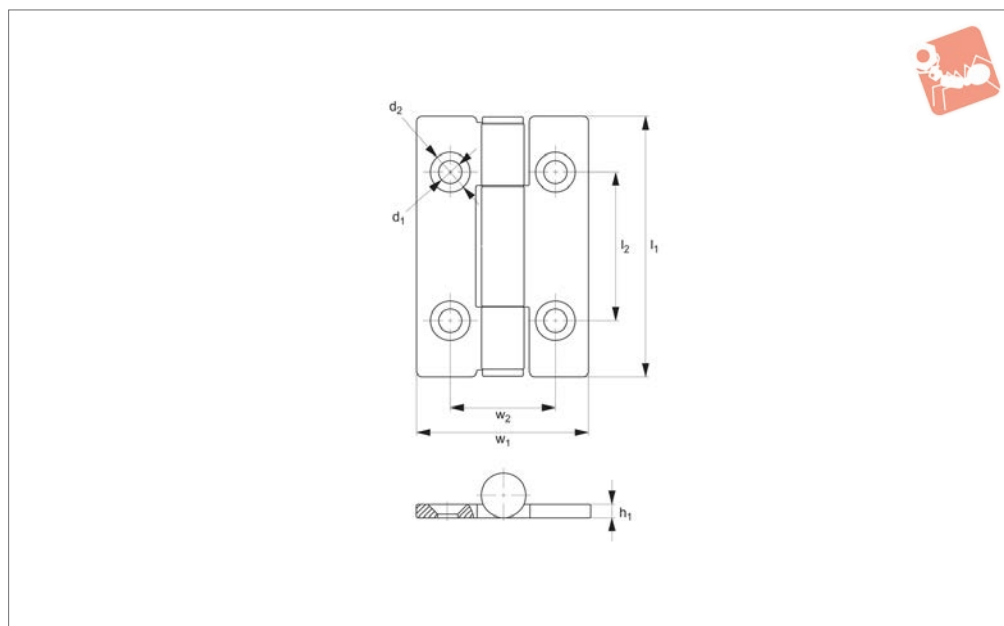
Technical Notes

Opening angle 180°.

Order No.	h_1	l_1	w_1	F_x N	F_y N
S0730.AW0050	1.5	50	32	516	665



S0732



Material

Hinge and pin: electrolytic stainless steel.

Technical Notes

Opening angle 180°.

Order No.	h_1	l_1	l_2	w_1	w_2	F_x N	F_y N	d_1	d_2
S0732.AW0050	2	50.8	30	32	20	520	800	4.5	7.5

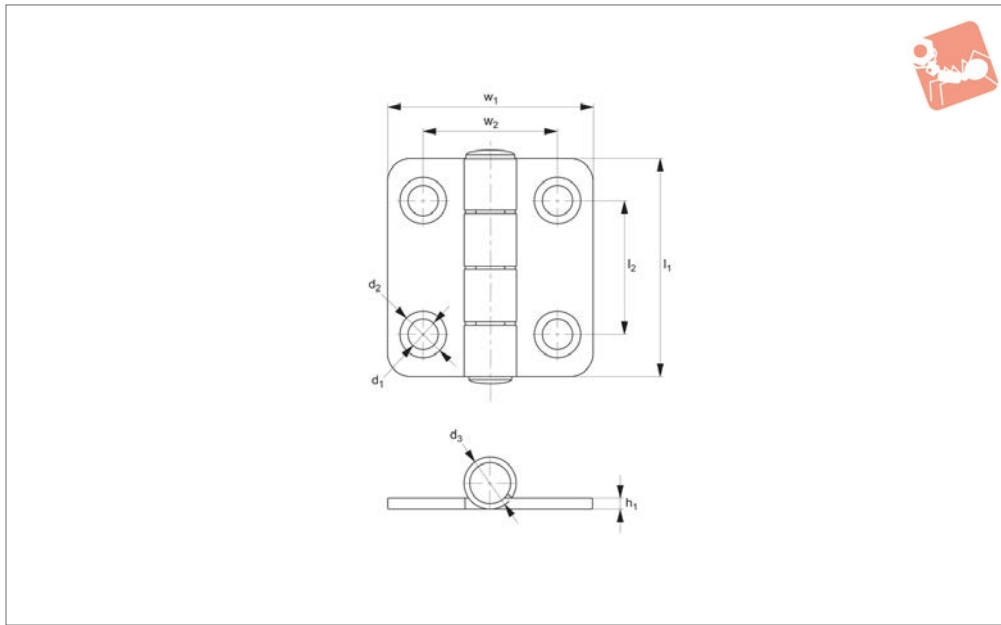


Surface Mount - Leaf Hinges

screw mount - stainless steel



Hinges



S0738

HINGES

Material

Hinge: polishing stainless steel.

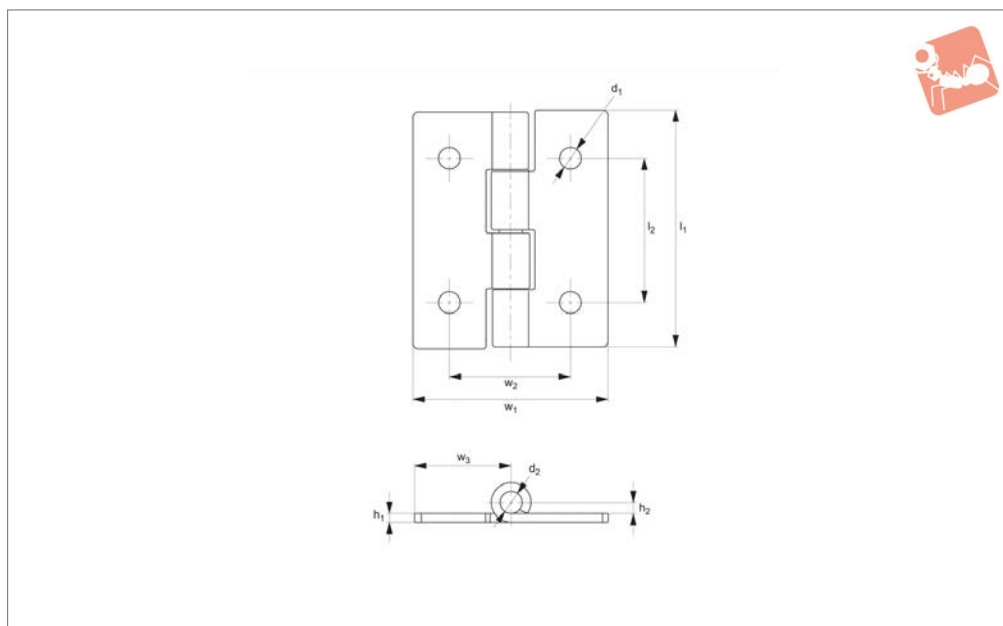
Technical Notes

Opening angle 180°.

Order No.	h_1	l_1	l_2	w_1	w_2	F_x N	F_y N	d_1	d_2	d_3
S0738.AW0037	2	37	22.5	35	23	745	1090	5.2	8	9



S0741



Material
304 stainless steel.

Technical Notes
Opening angle 180°.

Order No.	h_1	h_2	l_1	l_2	w_1	w_2	w_3	F_x N	F_y N	d_1	d_2
S0741.AW0040	1.2	1.8	40	24	32	20	16	340	600	3.2	3.5

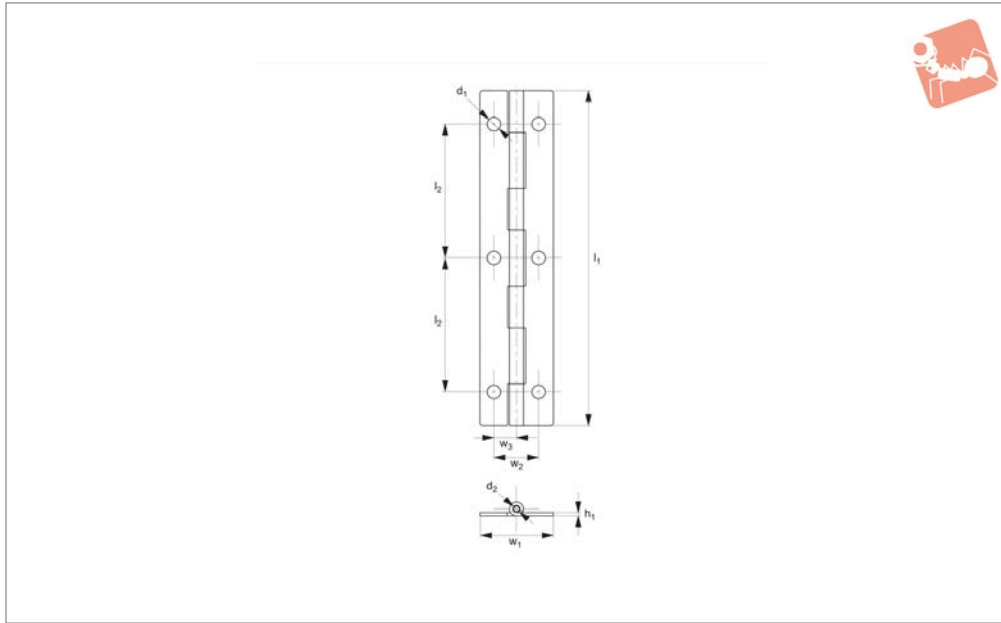


Surface Mount - Leaf Hinges

screw mount - steel



Hinges



S0742

HINGES

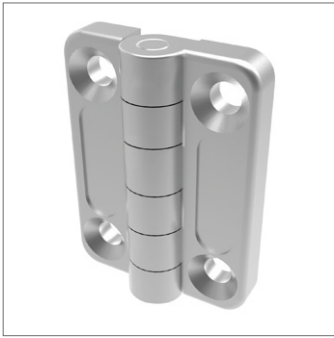
Material

Hinge: steel, zinc plated

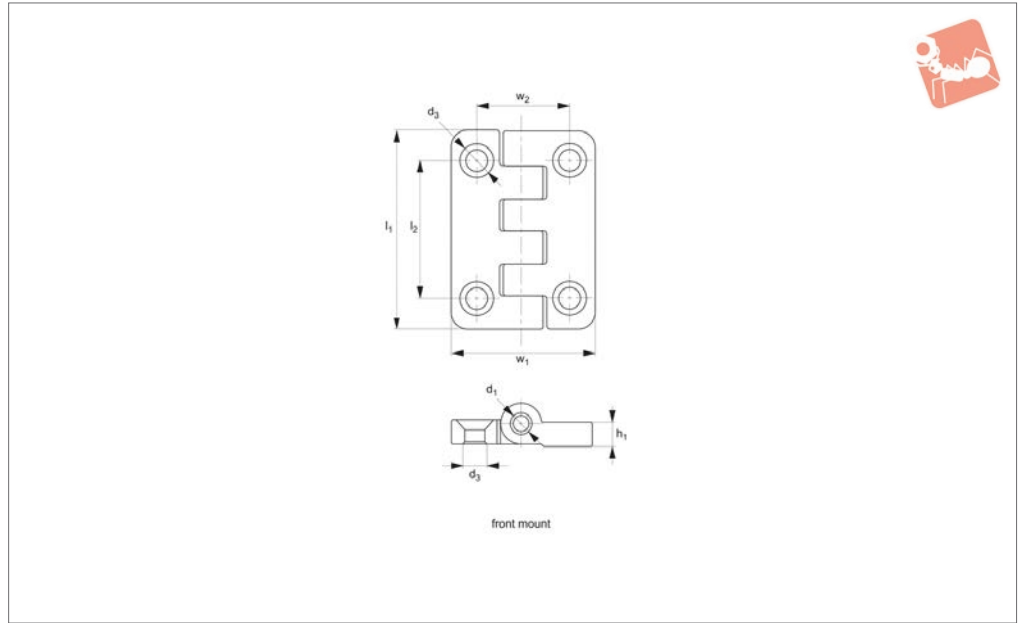
Technical Notes

Opening angle 180°.

Order No.	h_1	l_1	l_2	w_1	w_2	w_3	F_x N	F_y N	d_1	d_2
S0742.AW0150	1.5	150	60	32	20	10	840	1380	6	3.5



S0750



Material

Hinge: die cast zinc, chrome plated or black powder coated.

Pin: steel

Technical Notes

Opening angle 180°.

Order No.	Finish	Mount	h_1	l_1	l_2	w_1	w_2	F_x kN	F_y kN	d_1	d_3
S0750.AW0020	Chrome	Front	7	54	38	40	26	1.5	1.8	7	Ø6
S0750.AW0320	Black Coated	Front	7	54	38	40	26	1.5	1.8	7	Ø6
S0750.AW0030	Chrome	Front	6	50	30	76	56	1.125	1.49	7	Ø6
S0750.AW0330	Black Coated	Front	6	50	30	76	56	1.125	1.490	7	Ø6

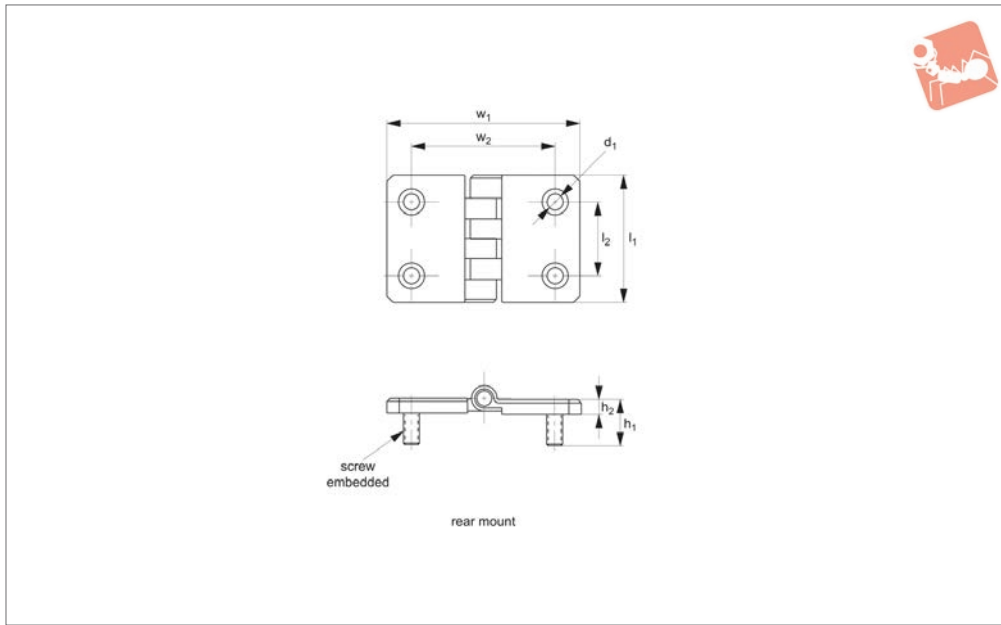


Surface Mount - Leaf Hinges

integrated stud - zinc



Hinges



S1136

HINGES

Material

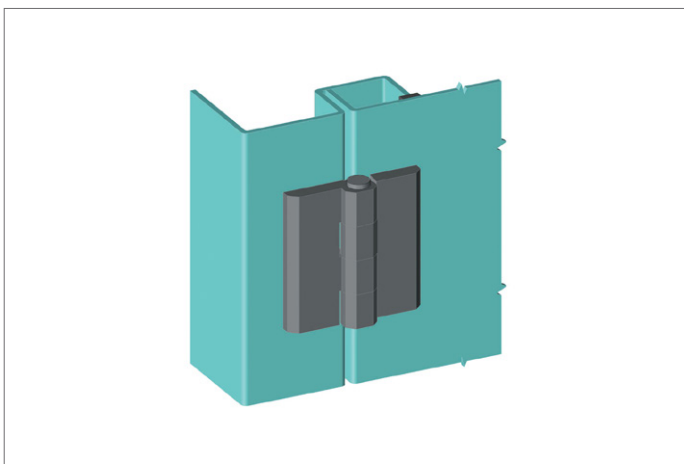
Hinge: die cast zinc, chrome plated or black powder coated.

Pin: steel

Technical Notes

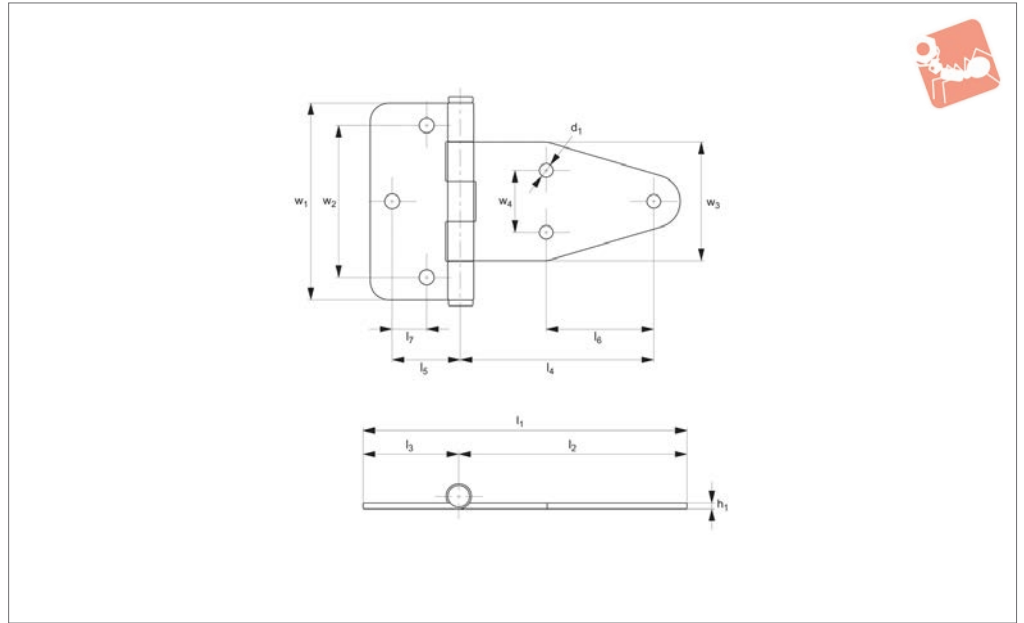
Opening angle 180°.

Order No.	Finish	Mount	h_1	h_2	l_1	l_2	w_1	w_2	F_x kN	F_y kN	d_1
S1136.AW0020	Chrome	Rear	20.5	7	54	38	40	26	1.5	1.8	M6
S1136.AW0320	Black Coated	Rear	20.5	7	54	38	40	26	1.5	1.8	M6
S1136.AW0030	Chrome	Rear	21.0	6	50	30	76	56	1.125	1.49	M6
S1136.AW0330	Black Coated	Rear	21.0	6	50	30	76	56	1.125	1.49	M6





S0818



Material

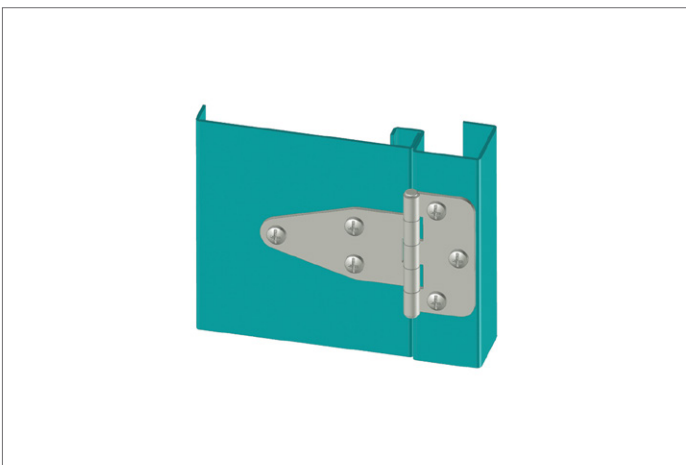
Hinge: stainless steel AISI 304, polished.

doors, as well as electrical panels and covers. Opening angle 180°.

Technical Notes

For plain/flush mounted, isolated heavy

Order No.	h_1	l_1	l_2	l_3	l_4	l_5	l_6	l_7	w_1	w_2	w_3	F_x N	F_y N	d_1
S0818.AW0010	2.5	137	97	40	85.5	30	48	15	85	65	57	750	850	6.5



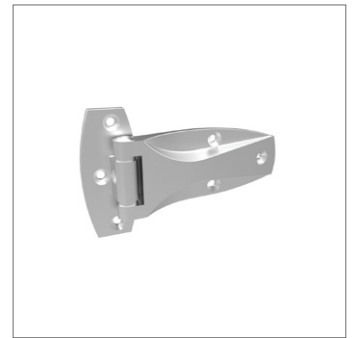
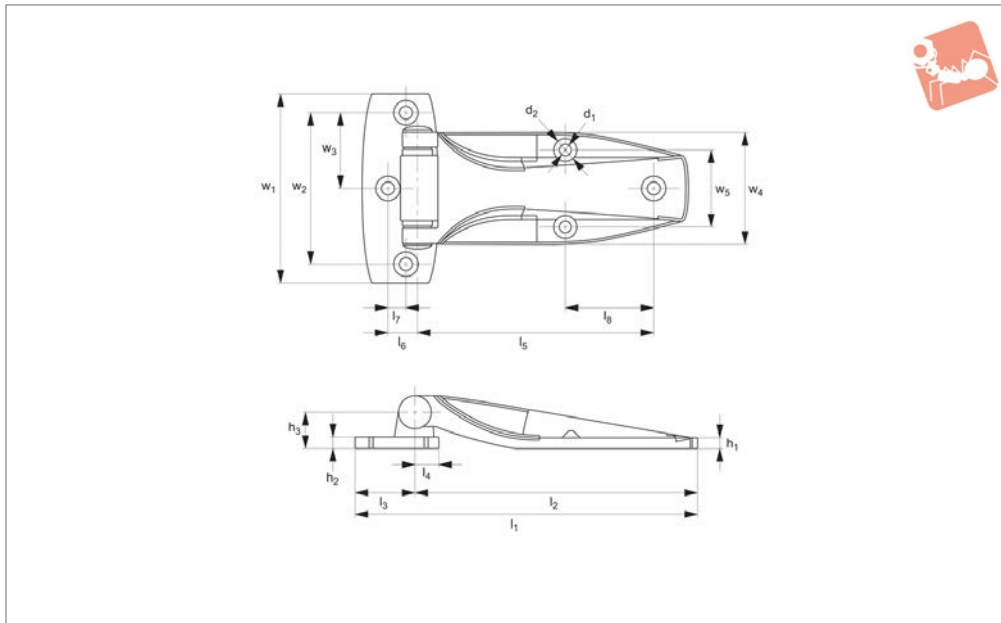


Surface Mount - Leaf Hinges

screw mount - stainless steel



Hinges



S0820

HINGES

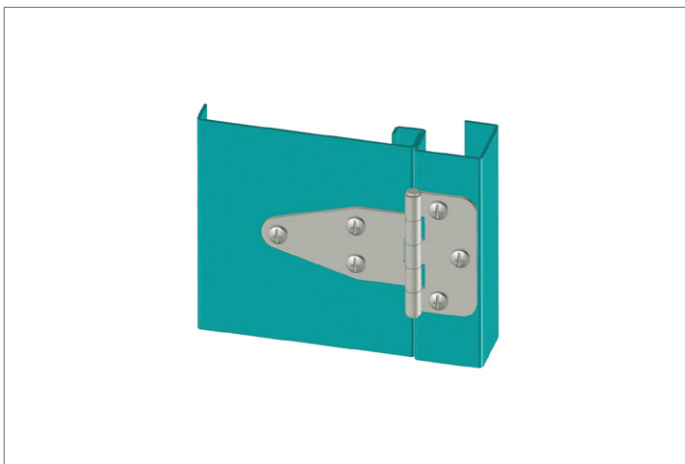
Material

Hinge: stainless steel AISI 304, polished.

Technical Notes

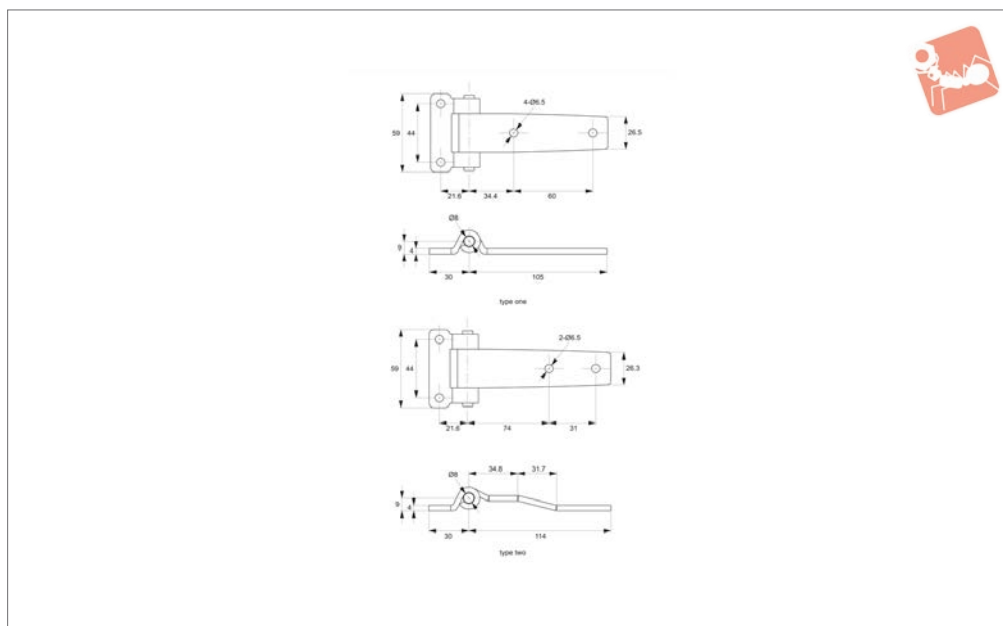
Opening angle 135°.

Order No.	h_1	h_2	h_3	l_1	l_2	l_3	l_4	l_5	l_6	l_7	l_8	w_1	w_2	w_3	w_4	w_5	F_x N	d_1	d_2
S0820.AW0010	4.5	5	15.2	141.8	116.8	25	10	102.4	13	8.2	37.9	83	66	33	49	33.5	2170	5.2	10.5





S0822



Material

Hinge and pin: stainless steel, AISI 304, polished.

Technical Notes

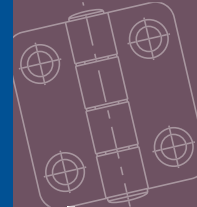
Opening angle 180°.

Order No.	Type	Length	F _x kN	F _y kN	Width
S0822.AW0010	type one	135	1.12	1.2	59
S0822.AW0110	type two	134	1.12	1.2	59

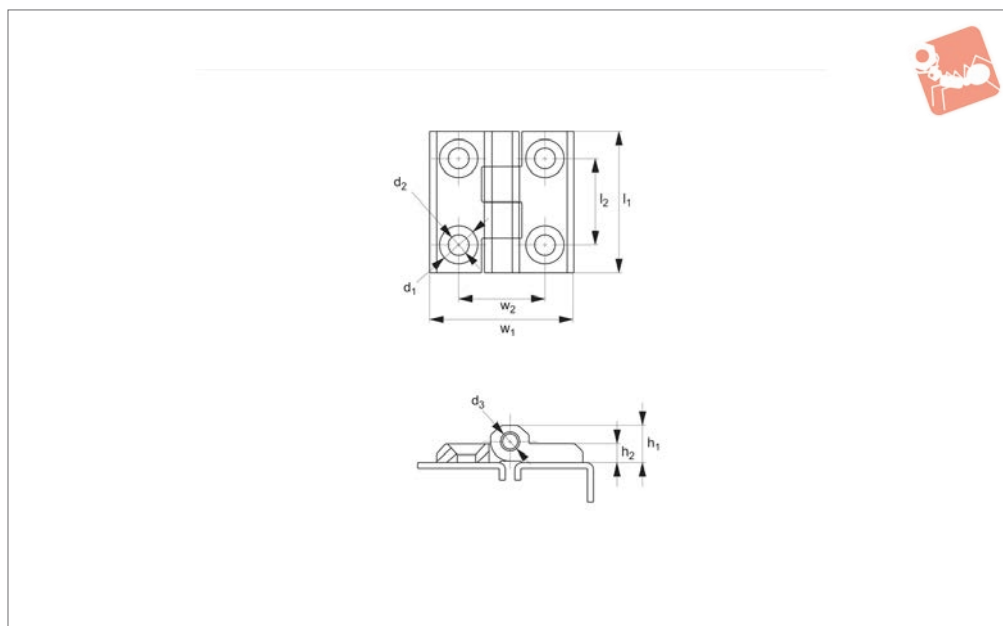


Surface Mount - Leaf Hinges

screw mount - stainless steel



Hinges



S0523

HINGES

Material

Stainless steel, AISI 304.

electrical panels and covers.

Opening angle 180°.

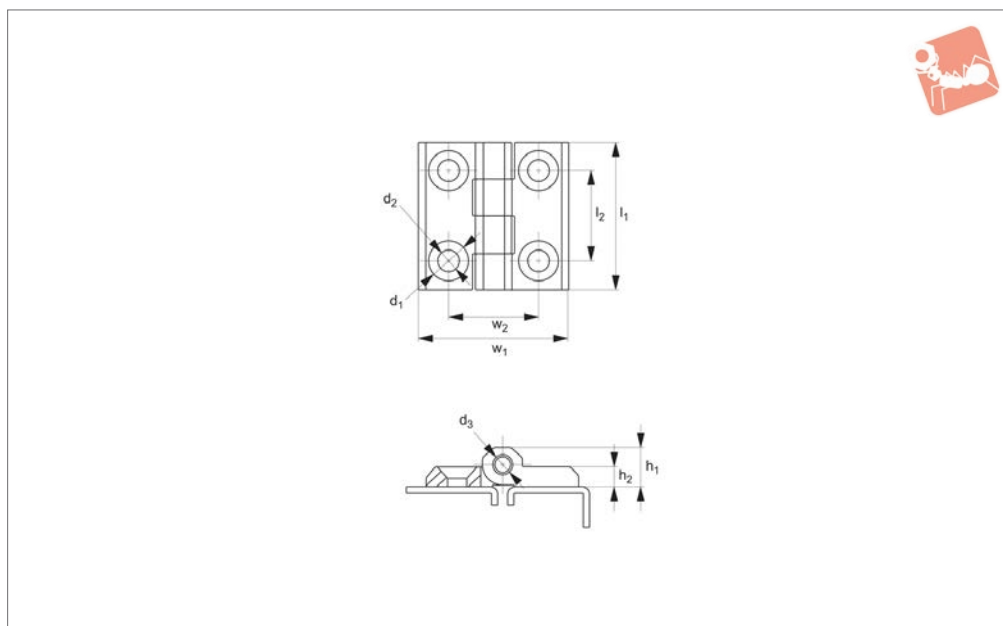
Technical Notes

For plain/flush mounted doors, as well as

Order No.	Size	h_1	h_2	l_1	l_2	w_1	w_2	d_1	d_2	d_3	90° Angled stress kN	Axial load F_x N max.	Axial stress kN	Radial load F_x N max.	Radial stress kN
S0523.AW0040	40 x 40	9,0	5	40	25	40	25	10,5	5,3	4	2,00		1,45		2,1
S0523.AW0050	50 x 50	11,5	6	50	30	50	30	12,5	6,3	7	2,45	1,3	2,10	1,2	3,5
S0523.AW0060	60 x 60	15,0	8	60	36	60	36	12,5	8,4	8	4,40	1,8	3,20	1,5	6,0



S0561



Material

Black Coated

Body: die cast zinc, black powder coated.
Pin: steel, nickel plated.

Chrome

Body: die cast zinc, chrome plated.
Pin: steel, nickel plated.

Technical Notes

For plain/flush mounted doors, as well as electrical panels and covers. Opening angle 180°.

Order No.	Finish	Size	h_1	h_2	l_1	l_2	w_1	w_2	d_1	d_2	90° Angled stress kN	Axial load F_x N max.	Axial stress kN	Radial load F_x N max.	Radial stress kN
S0561.AW0040	Black Coated	40 x 40	9,0	5,0	40	25	40	25	10,2	5,3	2,00	1,2	1,45	1,0	2,1
S0561.AW0050	Black Coated	50 x 50	11,5	6,0	50	30	50	30	12,5	6,3	2,45	1,3	2,10	1,2	3,5
S0561.AW0060	Black Coated	60 x 60	15,0	8,0	60	36	60	36	16,5	8,4	4,40	1,8	3,20	1,5	6,0
S0561.AW0057	Black Coated	50 x 76	11,5	6,0	50	30	76	56	12,5	6,3	1,25	1,2	1,30	1,1	3,0
S0561.AW0612	Black Coated	60x120	15,0	8,0	60	36	120	88	12,5	6,8	1,50	1,2	1,30	1,1	4,5
S0561.AW0140	Chrome	40 x 40	9,8	5,2	40	25	40	25	5,2	2,00			1,45		2,1
S0561.AW0157	Chrome	50 x 76	11,0	6,0	50	30	76	55	6,3	2,45			2,10		3,5
S0561.AW0160	Chrome	60 x 60	17,2	8,2	60	38	60	36	8,2	1,25			1,30		3,0
S0561.AW0150	Chrome	50 x 50	11,2	6,0	50	30	50	30	6,3	4,40			3,20		6,0
S0561.AW1612	Chrome	60x120	17,2	8,2	60	90	120	36	8,2	1,50			1,30		4,5

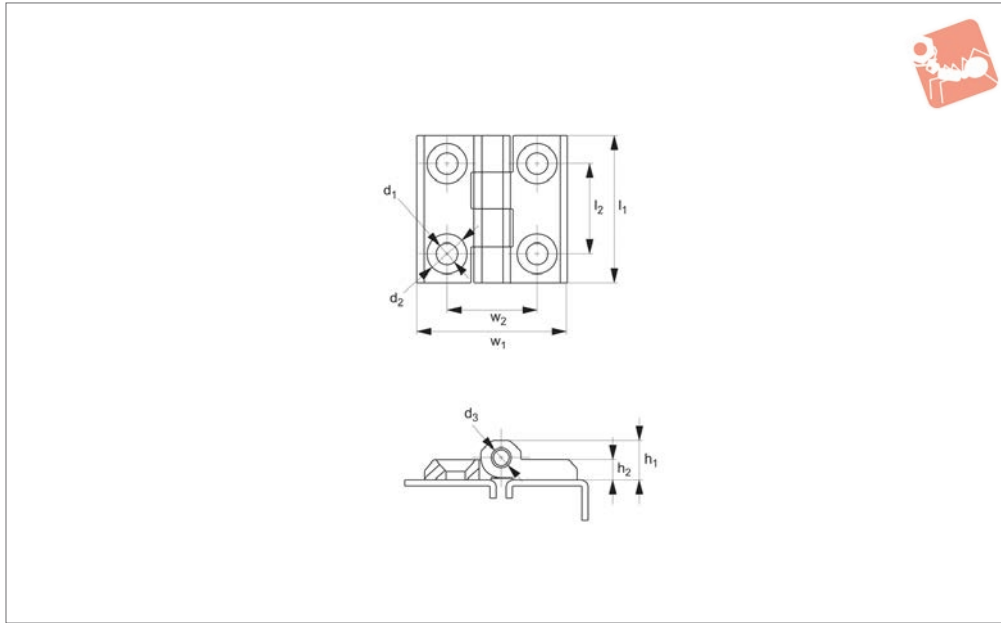


Surface Mount - Leaf Hinges

screw mount - polyamide



Hinges



S0563

HINGES

Material

Body: polyamide.
Pin: steel, nickel plated.

Technical Notes

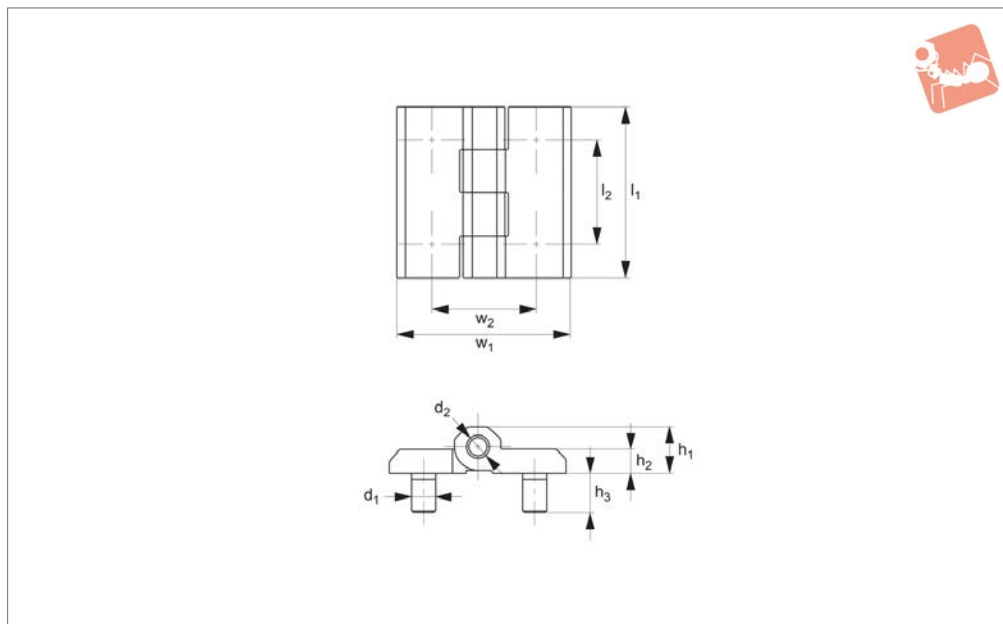
For plain/flush mounted doors, as well as electrical panels and covers. Opening

angle 180°.

Order No.	Size	h_1	h_2	l_2	w_1	w_2	F_x kN	F_y kN	d_1	d_2	d_3
S0563.AW0040	40 x 40	9.8	5	25	40	25	-	-	10.5	5.3	6
S0563.AW0050	50 x 50	11.5	5	30	50	30	1.2	1.3	12.5	6.3	6



S1101



Material

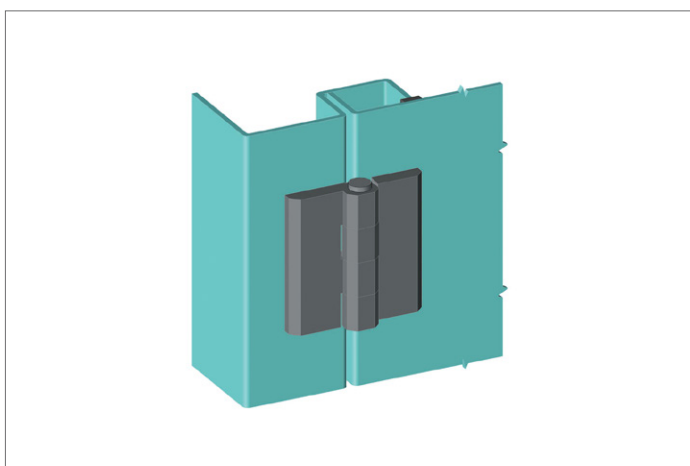
Body: die cast zinc, black powder coated.
Pin: steel, nickel plated.

Technical Notes

For plain/flush mounted doors, as well as electrical panels and covers.

Opening angle 180°.

Order No.	Finish	Size	h_1	h_2	h_3	l_1	l_2	w_1	w_2	d_1	d_2	90° Angled stress	Axial load F_x N max.	Axial stress kN	Radial load F_x N max.	Radial stress kN
S1101.AW0040	Black Coated	40 x 40	9,0	5	10,0	40	25	40	25	M 5	4	1,85	1,2	0,9	1,0	1,7
S1101.AW0050	Black Coated	50 x 50	11,5	6	12,5	50	30	50	30	M 6	6	2,0	1,3	2,05	1,2	3,55
S1101.AW0057	Black Coated	50 x 70	11,5	6	12,5	50	30	76	56	M 6	6	2,00	1,2	1,5	11,2	3,00
S1101.AW0060	Black Coated	60 x 60	15,0	8	16,5	60	36	60	36	M 6	8	2,55	1,8	3,05	1,5	4,05
S1101.AW0612	Black Coated	60 x 120	15,0	8	16,5	60	36	120	88	M 8	8	1,5	1,2	1,5	1,12	4,5
S1101.AW0140	Chrome	40 x 40	9,0	5	10,0	40	25	40	25	M 5	4					
S1101.AW0150	Chrome	50 x 50	11,5	6	12,5	50	30	50	30	M 6	6					
S1101.AW0160	Chrome	60 x 60	15,0	8	16,5	60	36	60	36	M 8	8					



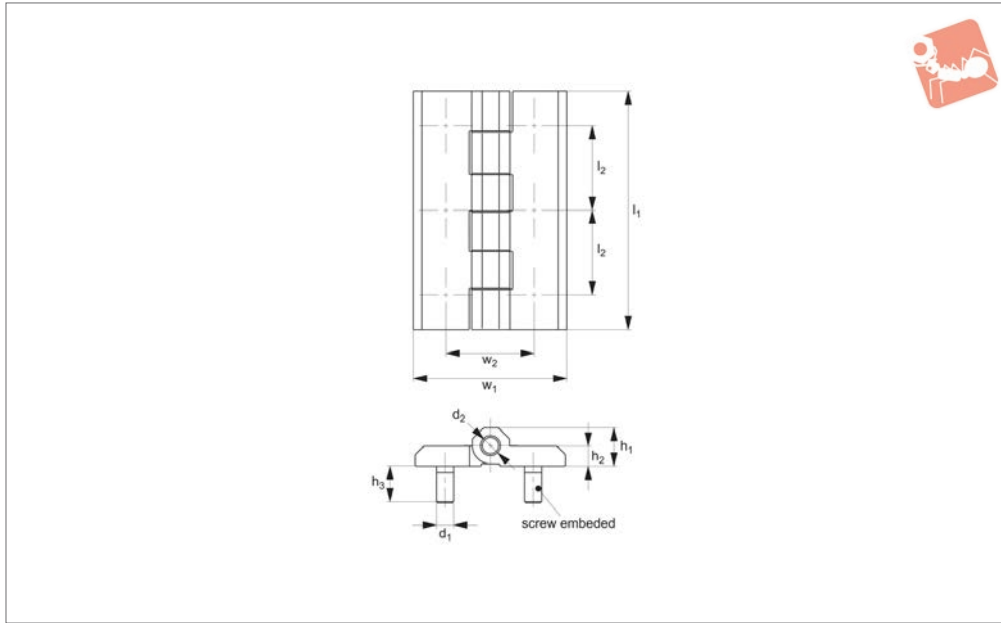


Surface Mount - Leaf Hinges

intergrated stud mount - zinc



Hinges



S1113

HINGES

Material

Hinge: die cast zinc, black powder coated.
Pin: nickel-plated steel.

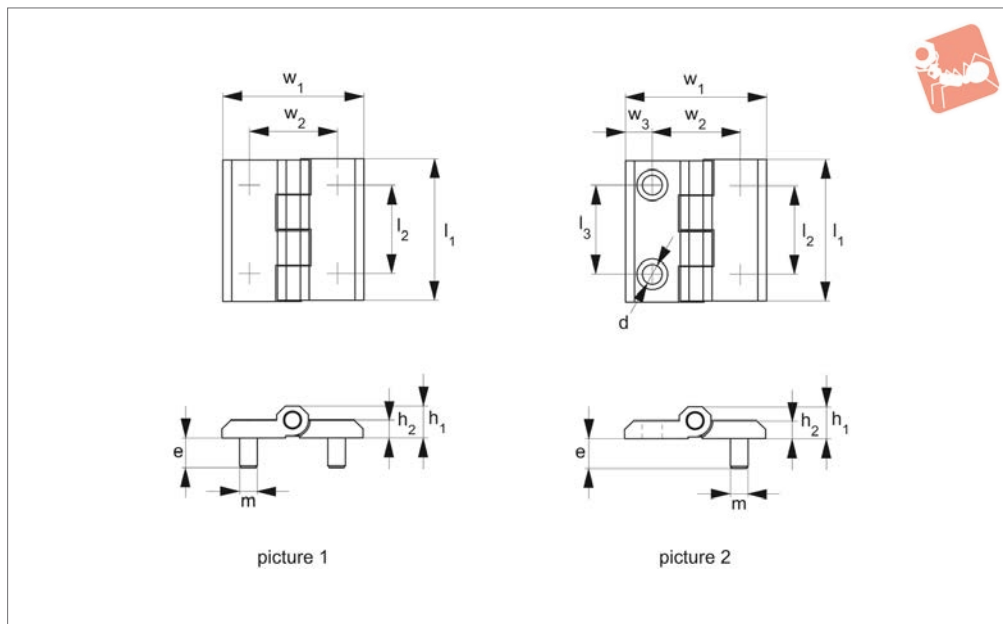
Technical Notes

Opening angel 180°.

Order No.	Type	h_1	h_2	h_3	l_1	l_2	w_1	w_2	F_x kN	F_y kN	d_1	d_2
S1113.AW0010	Left	15	8	14.5	90	32	60	36	1.12	1.2	M 8	8
S1113.AW0020	Right	15	8	14.5	90	32	60	36	1.12	1.2	M 8	8



S1120



Material

Body: polyamide, DIN-EN ISO 1043-1 PA 6 GFR 30. Black.

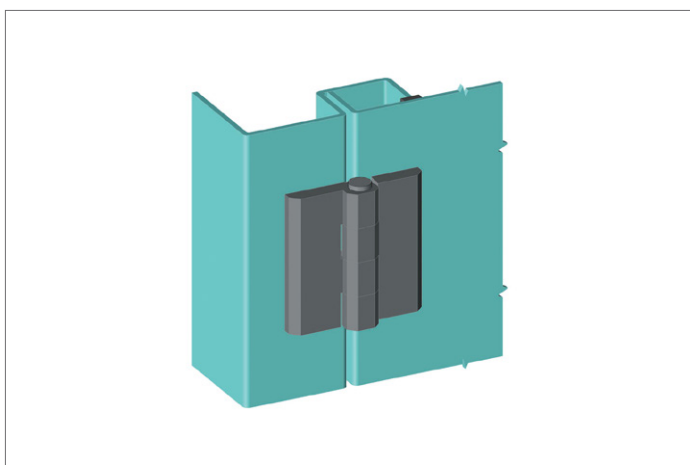
Pin: stainless steel, AISI 304.

electrical panels and covers.
Max. opening angle 270°.

Technical Notes

For plain/flush mounted doors, as well as

Order No.	Type	Finish	Size	Picture	e	h ₁	h ₂	l ₁	l ₂	l ₃	m	w ₁	w ₂	w ₃	d	Mounting
S1120.AW0050	Equal	Plastic	50 x 50	1	12.0	11	6	50	30	-	M 6	50	30	-	6.3	Rear - Rear
S1120.AW0040	Equal	Plastic	40 x 40	1	8.5	9	5	40	25	-	M 5	40	25	-	5.3	Rear - Rear
S1120.AW0150	Equal	Plastic	50 x 50	2	12.0	11	6	50	30	30	M 6	50	30	10	6.3	Rear - Front



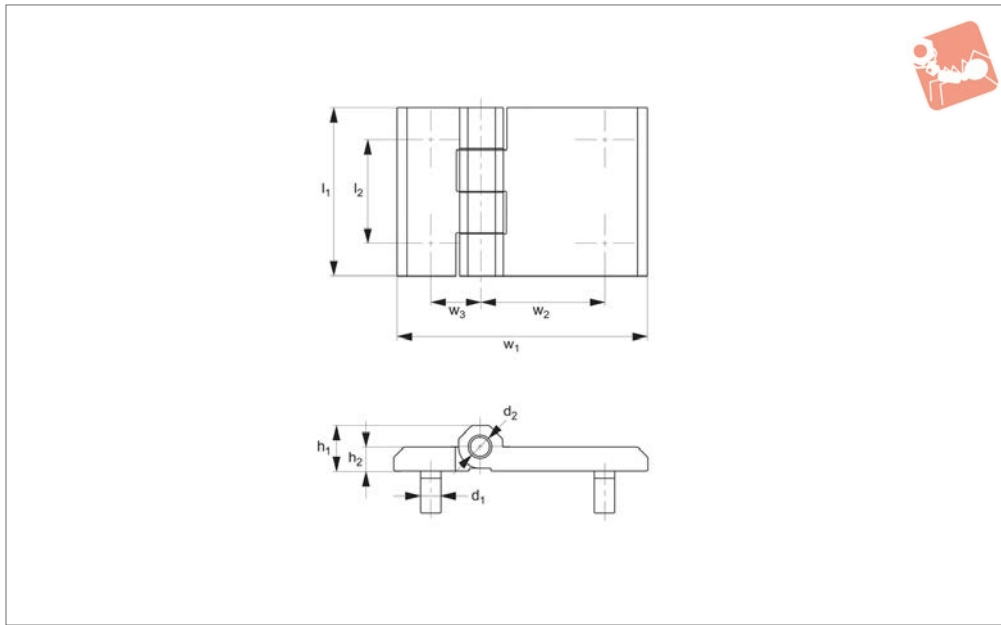


Surface Mount - Leaf Hinges

intergrated stud mount - zinc



Hinges



S1130

HINGES

Material

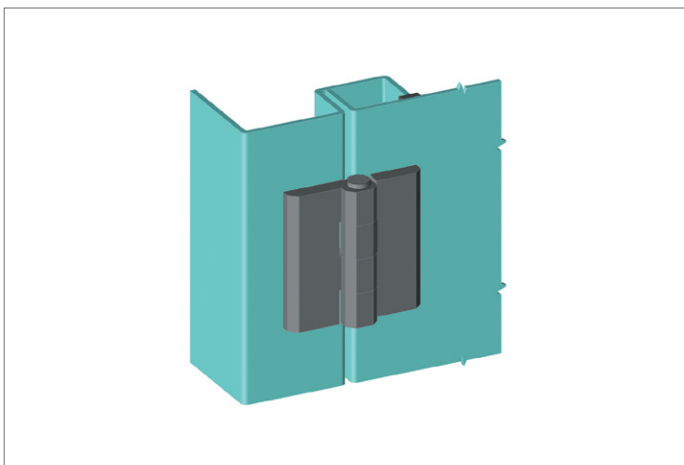
Hinge: die cast zinc, black powder coated.
Pin: nickel-plated steel.

Technical Notes

For plain/flush mounted doors, as well as electrical panels and covers. Opening

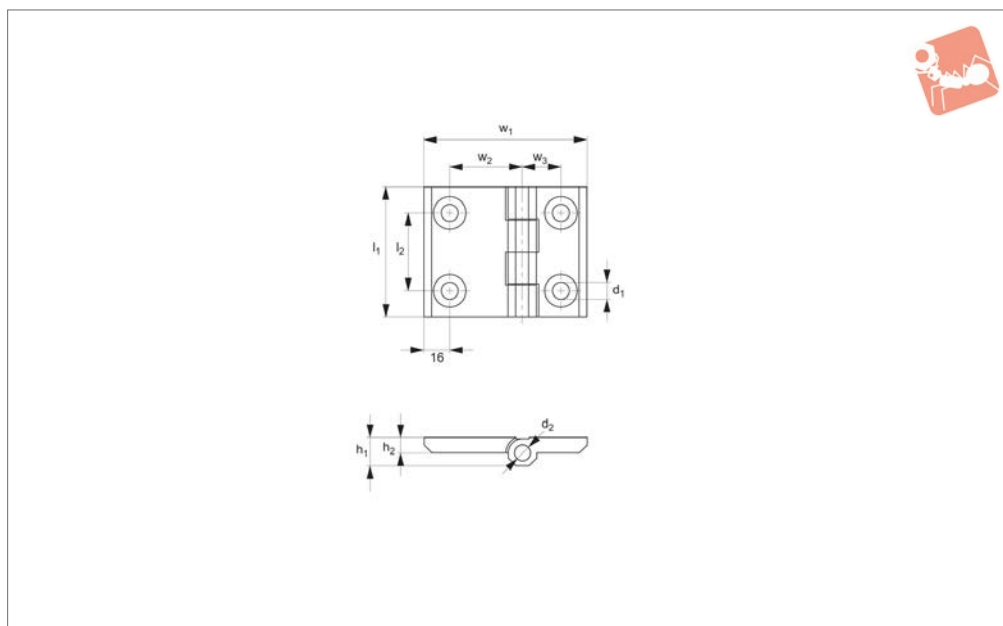
angle 180°.

Order No.	h ₁	h ₂	l ₁	l ₂	w ₁	w ₂	w ₃	F _x kN	F _y kN	d ₁	d ₂	90° Angled stress	Axial stress kN	Radial stress kN
S1130.AW0050	11.5	6	50	30	63	28	15	1.12	1.2	M6	6	1.25	1.5	3.0
S1130.AW0060	15.0	8	60	36	90	44	18	1.12	1.2	M8	8	1.5	1.5	4.5





S1131



Material

Hinge: black powder, die cast zinc coated.
Pin: nickle-plated steel.

Technical Notes

Opening angle 180°.

Order No.	h_1	h_2	l_1	l_2	w_1	w_2	w_3	d_1	d_2	90° Angled stress	Axial load F_x	Axial stress	Radial load F_x	Radial stress
											N max.	kN	N max.	kN
S1131.AW0060	15	8	60	36	90	44	18	8.4	8	1.5	1.2	1.5	1.12	4.5

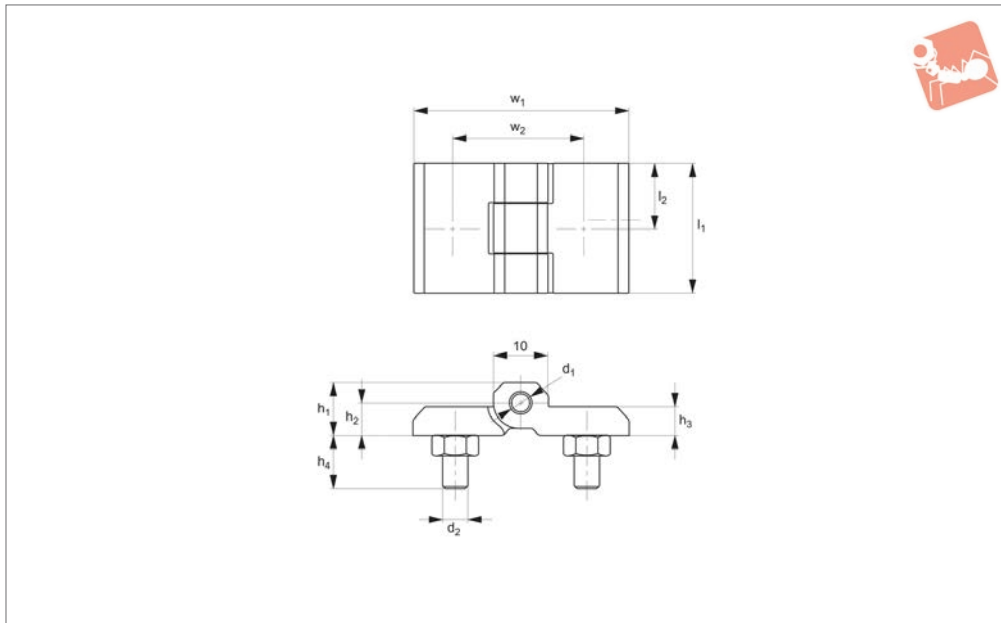


Surface Mount - Leaf Hinges

integrated stud - zinc



Hinges



S1133

HINGES

Material

Hinge: die cast zinc, black powder coated.

Supplied with: fixing nuts.

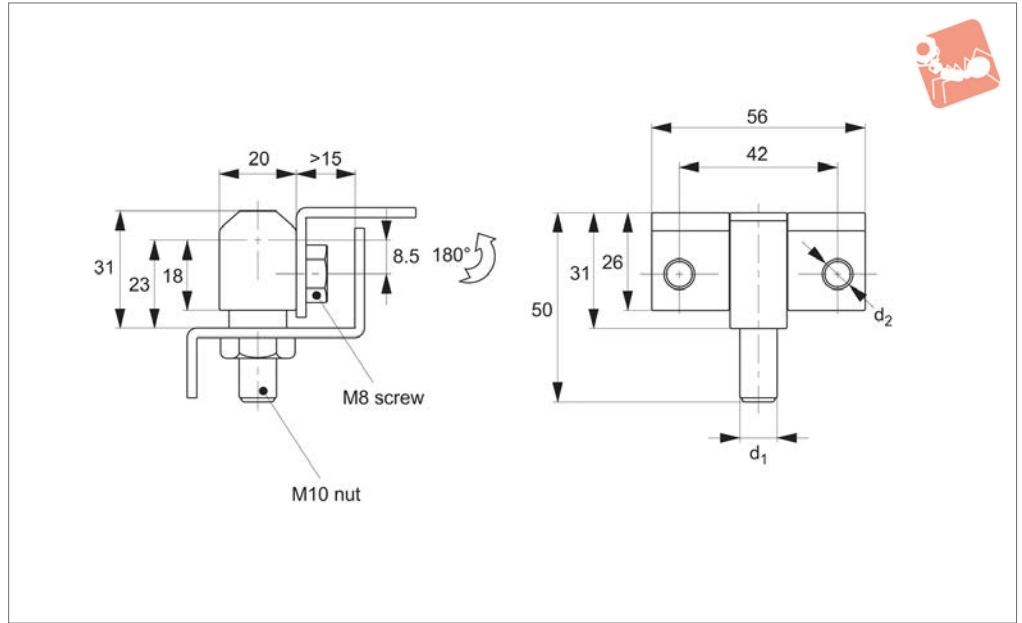
Technical Notes

Opening angle 180°.

Order No.	h_1	h_2	h_3	h_4	l_1	l_2	w_1	w_2	d_1	d_2	Axial load F_x N max.	Radial load F_x N max.
S1133.AW0010	9	5.5	5	12	24	12	40	25	4	M 5	210	520



S1170



Material

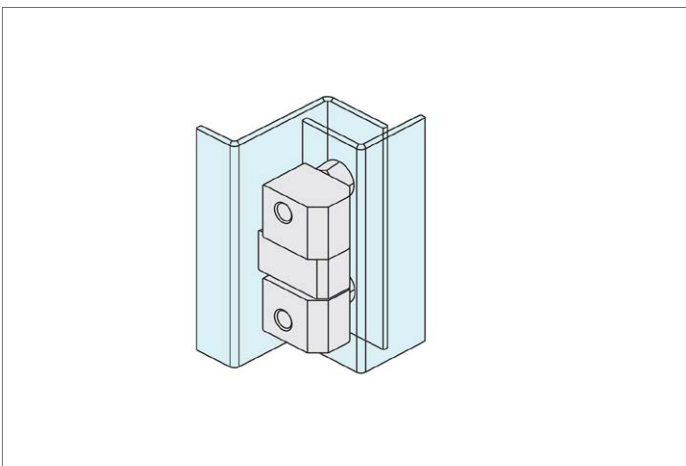
Steel, bright chrome plated.

hinges, for electrical covers and panels.
Mounted via M8 screws (not supplied).

Technical Notes

Opening angle 180°. Side mounting

Order No.	Finish	F _x kN	F _y kN	d ₁	d ₂
S1170.AW0010	Chrome Plated	2.5	1.785	M10	M 8
S1170.AW0020	Black Coated	2.5	1.785	M10	M 8



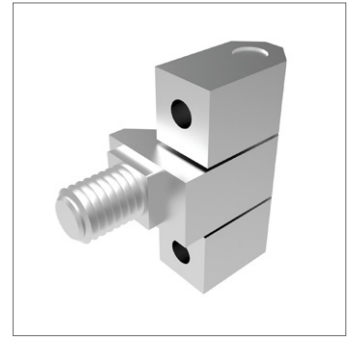
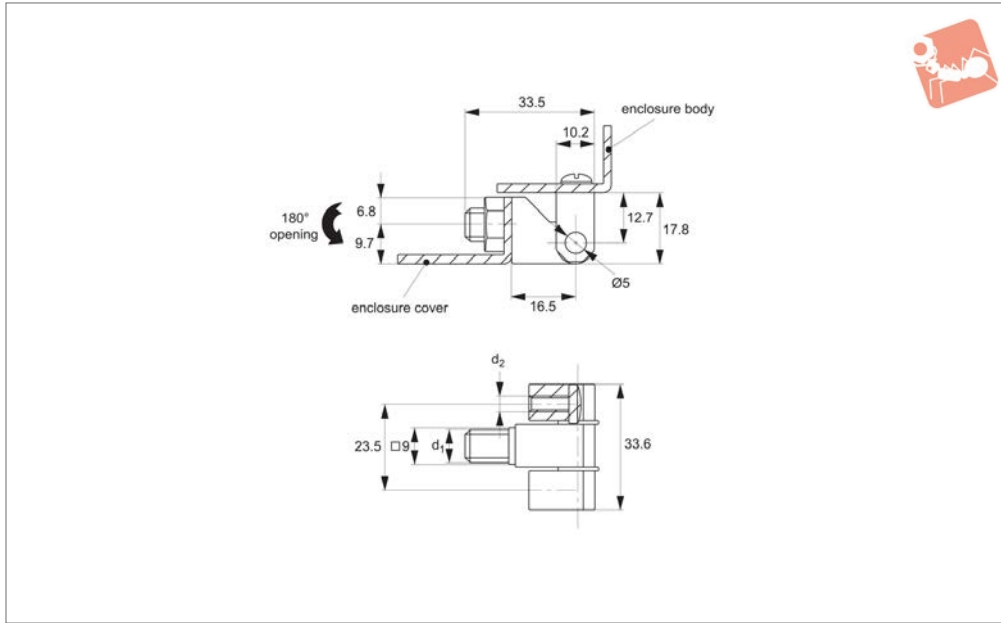


Surface Mount - In-line Hinges

intergrated stud and screw mount - zinc



Hinges



S1172

HINGES

Material

Hinge: die cast zinc.
Pin: steel.

angle 180°.

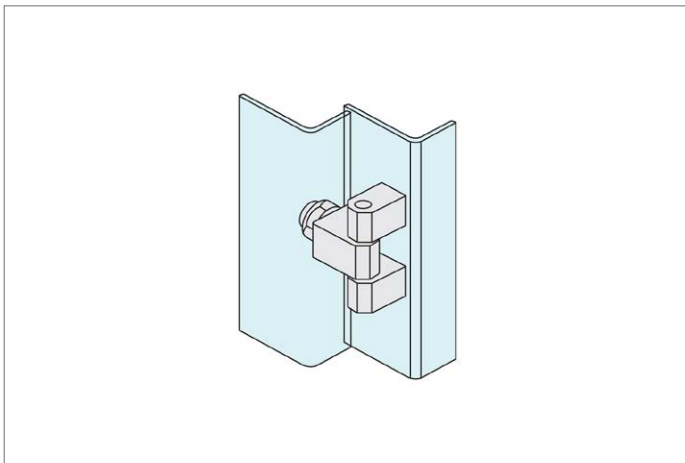
Technical Notes

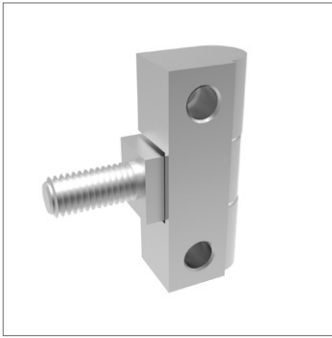
For electrical panels and covers. Opening

Tips

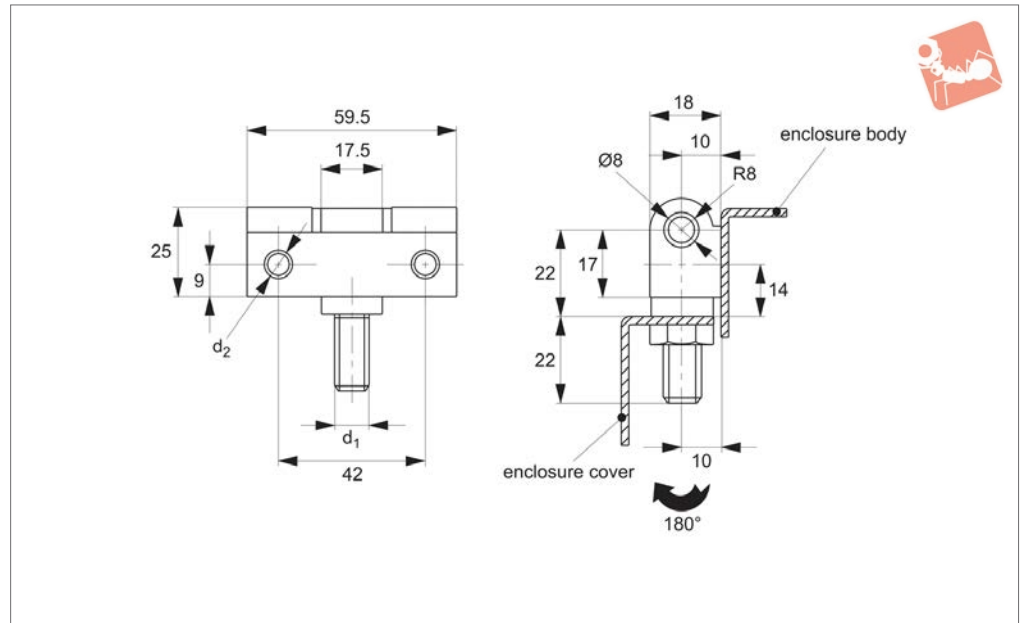
Parts supplied tightly fitted.

Order No.	Finish	Size	F _x kN	F _y kN	d ₁	d ₂	Opening angle
S1172.AW0010	Chrome	33 x 21	1.2	1.0	M 8	M 4	180°
S1172.AW0020	Black Coated	33 x 21	1.2	1.0	M 8	M 4	180°





S1174



Material

Hinge: die cast zinc.

Max. opening angle 180°.

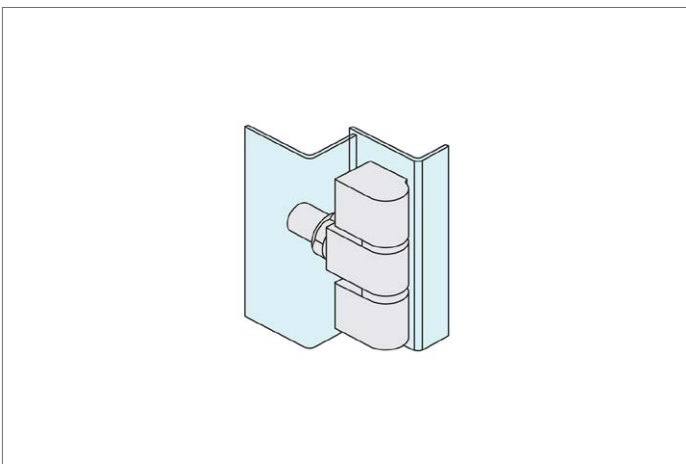
Tips

Parts supplied tightly fitted.

Technical Notes

For electrical panels and covers.

Order No.	Finish	Size	F _x kN	F _y kN	d ₁	d ₂	Opening angle
S1174.AW0010	Chrome Plated	59 x 18	2.0	1.52	M10	M 8	180°
S1174.AW0020	Black Coated	59 x 18	2.0	1.52	M10	M 8	180°



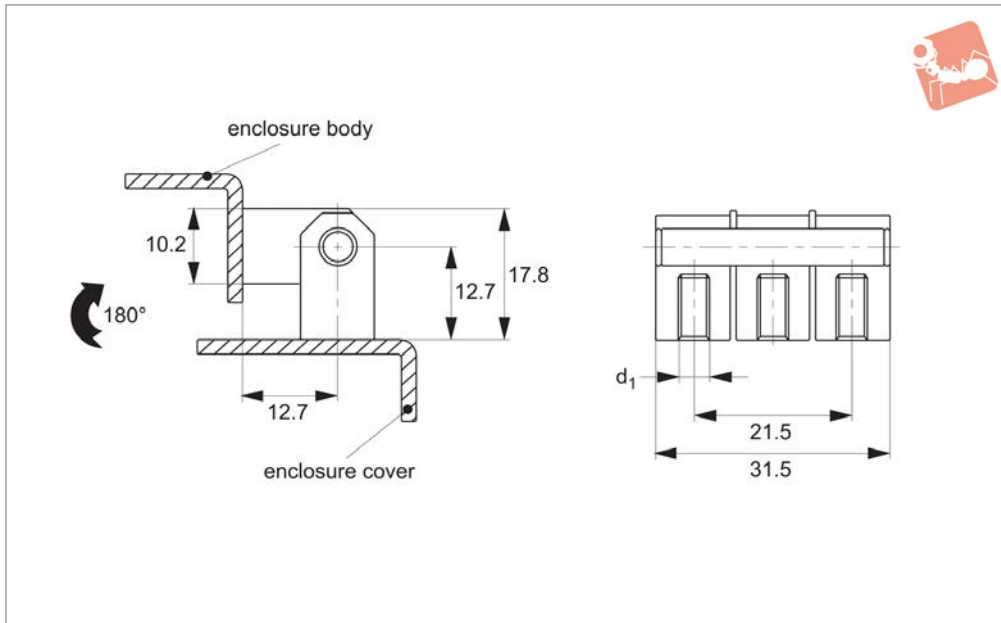


Surface Mount - In-line Hinges

bolt-on - zinc



Hinges



S1176

HINGES

Material

Hinge: die cast zinc.
Pin: steel.

Max. opening angle 180°.

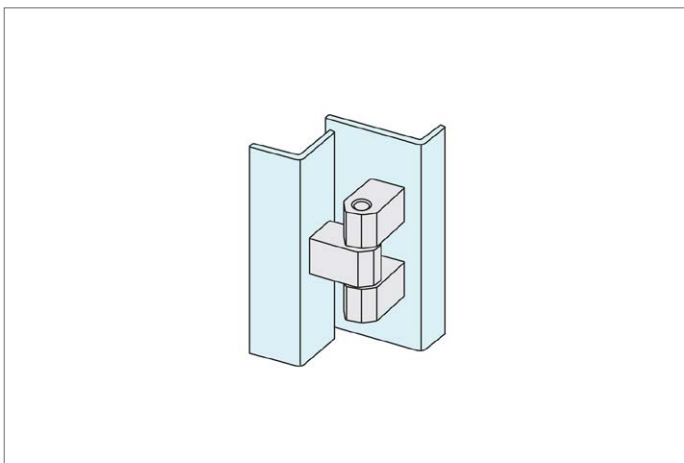
Tips

Parts supplied tightly fitted.

Technical Notes

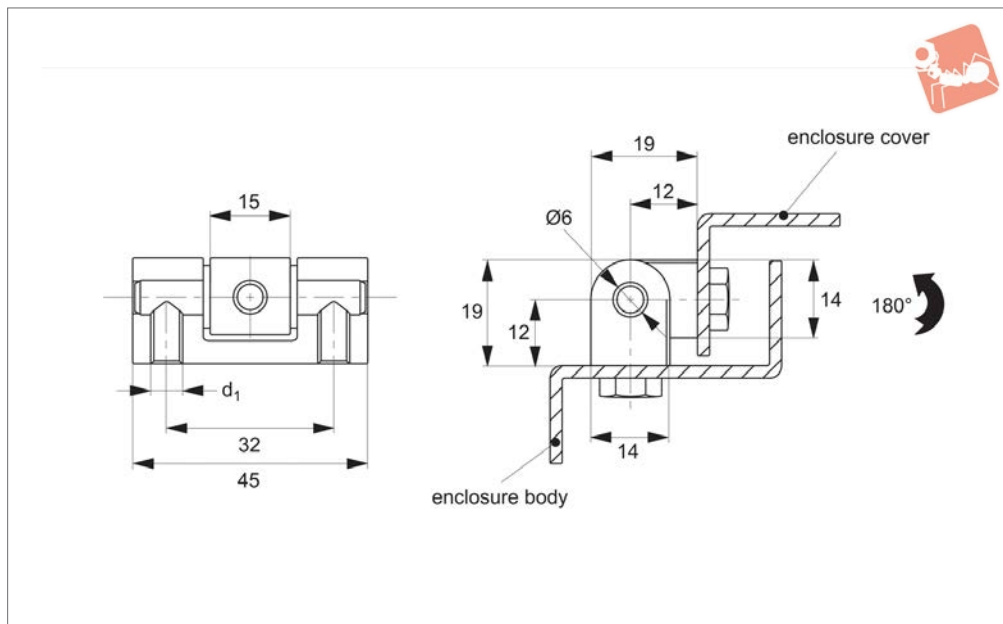
For electrical panels and covers.

Order No.	Finish	Size	F _x kN	F _y kN	d ₁	Opening angle
S1176.AW0010	Chrome Plated	31 x 10	1.2	1.0	M 4	180°
S1176.AW0020	Black Coated	31 x 10	1.2	1.0	M 4	180°





S1192



Material

Hinge: die cast zinc.
 Pin: steel, nickel-plated.
 Bushing: PA.
Not supplied: SCREWS.

Technical Notes

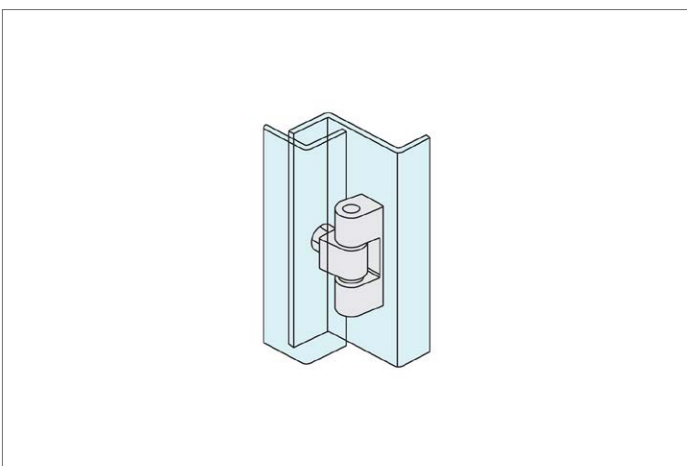
Universal left or right hand opening doors.
 For external mounting on cabinets, surface mounted doors, sheet metal doors etc.
 Mounting via concealed 3 x M6 screws.

Max. opening angle 180°.

Tips

Parts supplied tightly fitted.

Order No.	Finish	Size	F _x kN	F _y kN	d ₁	Opening angle
S1192.AW0010	Chrome	45 x 14	1.675	2.0	M 6	180°
S1192.AW0020	Black Coated	45 x 14	1.675	2.0	M 6	180°



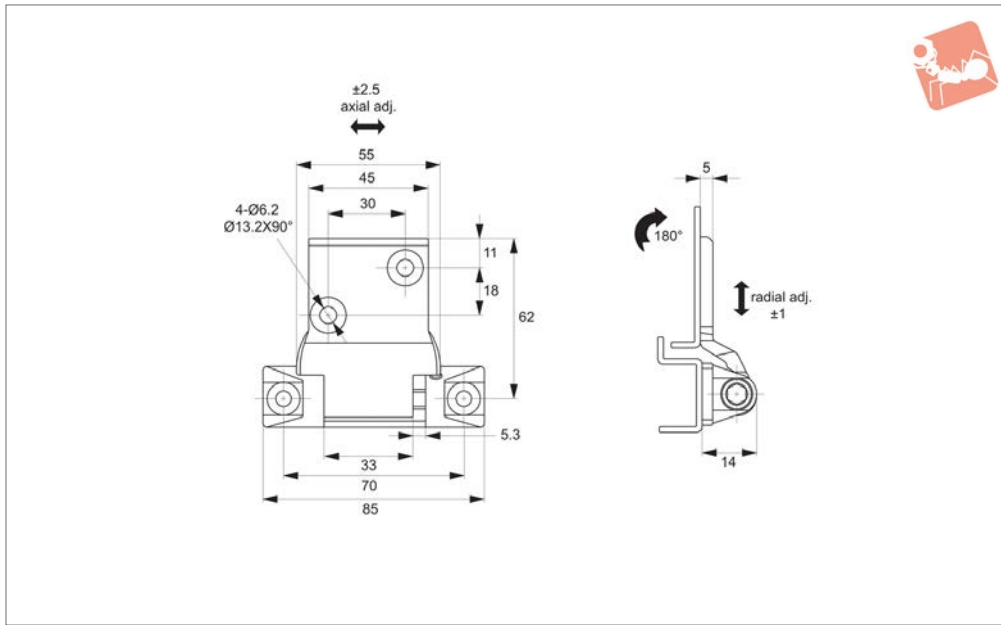


Surface Mount - HVAC Applications

axial adjustment - screw mount - zinc



Hinges



S1806

HINGES

Material

Die cast zinc, black powder coated .
Shaft: stainless steel AISI 304.
Bearing: delrin plastic.

Technical Notes

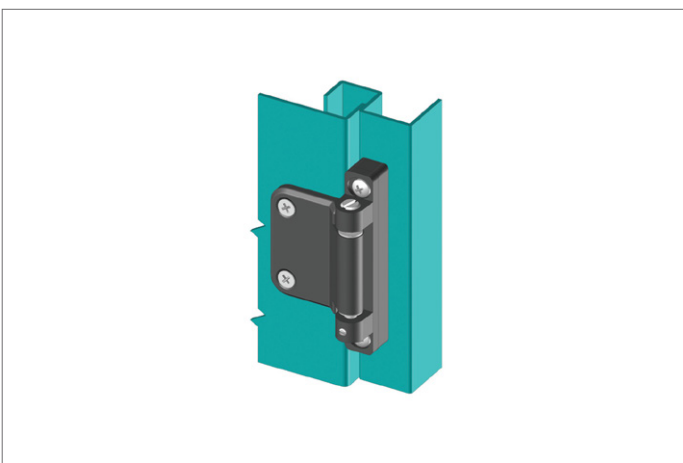
Ideal for heating and ventilation applica-

tions, for use on flat panels and covers.
Increase off-set via use of additional
spacers, for your own design (not
supplied).
Mounting via M5 screws.
Max. opening angle 180°.

Tips

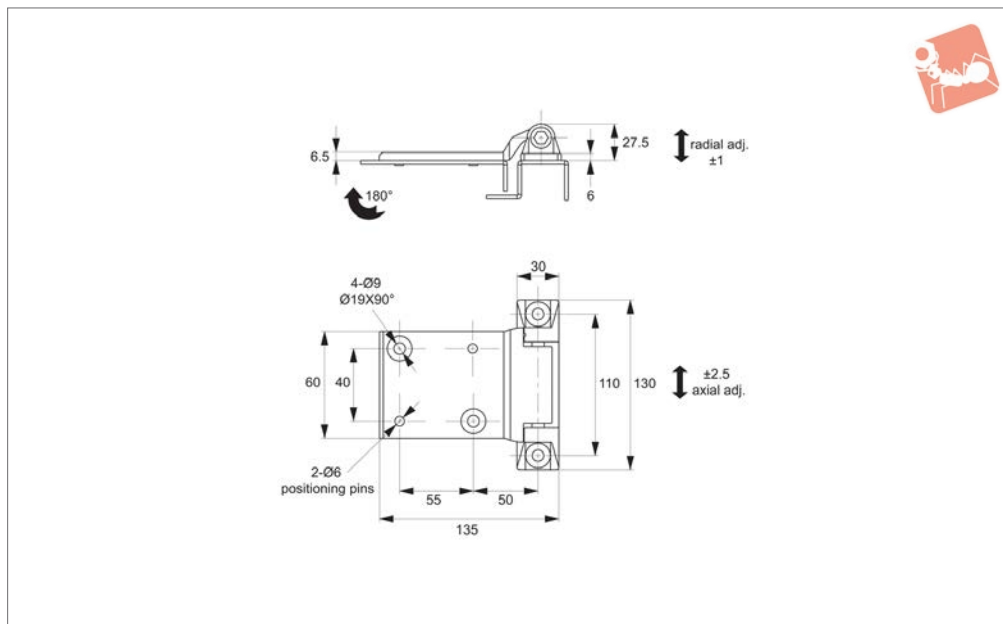
Maximum 5.3mm axial adjustment.

Order No.	Type	Finish	Size	F _x kN	F _y kN	Opening angle
S1806.AW0010	Left Hand	Black coated	85 x 77	1.5	1.3	180°
S1806.AW0020	Right Hand	Black coated	85 x 77	1.5	1.3	180°





S1823



Material

Die cast zinc, pocked black powder coated.
Shaft: stainless steel AISI 304.

tions, for use on flat panels and covers.
Mounting via M8 screws.
Max. opening angle 180°.

± 1mm radial is possible.

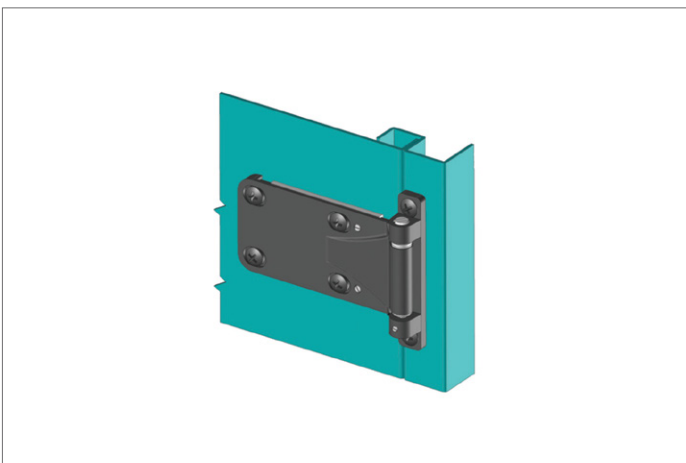
Technical Notes

Ideal for heating and ventilation applica-

Tips

Adjustments of hinge by ± 2,5mm axial and

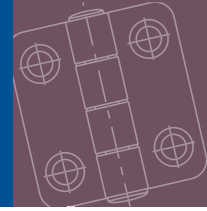
Order No.	Type	Finish	Size	F _x kN	F _y kN	Opening angle
S1823.AW0010	Left Hand	Black Coated	130 x 135	1.8	1.5	180°
S1823.AW0020	Right Hand	Black Coated	130 x 135	1.8	1.5	180°



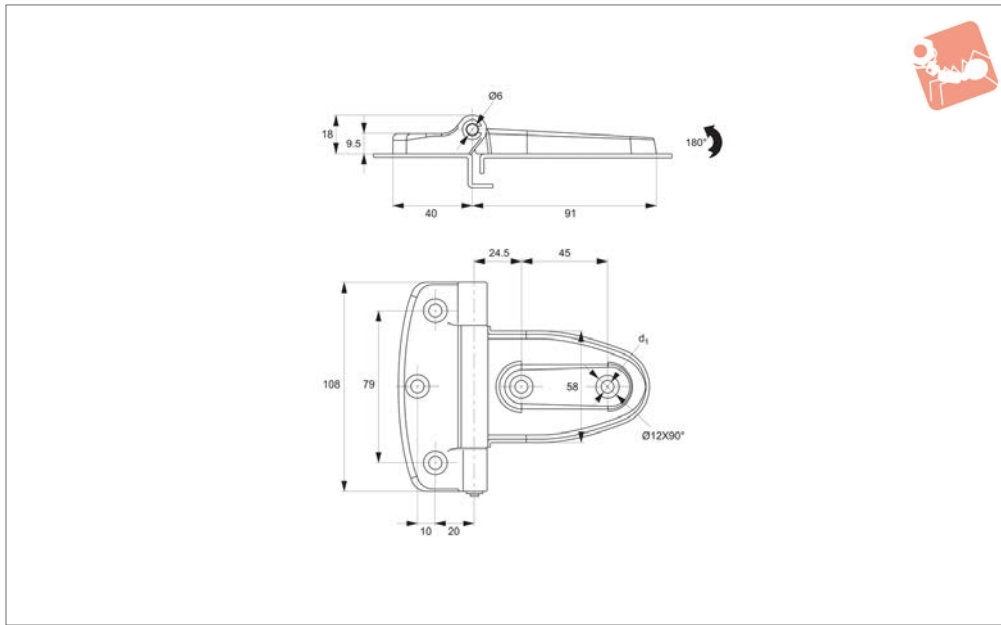


Surface Mount - HVAC Applications

screw mount - polyamide



Hinges



S1826

HINGES

Material

Hinge: polyamide (PA), black.
Pin: stainless steel AISI 304, nickel plated.

Technical Notes

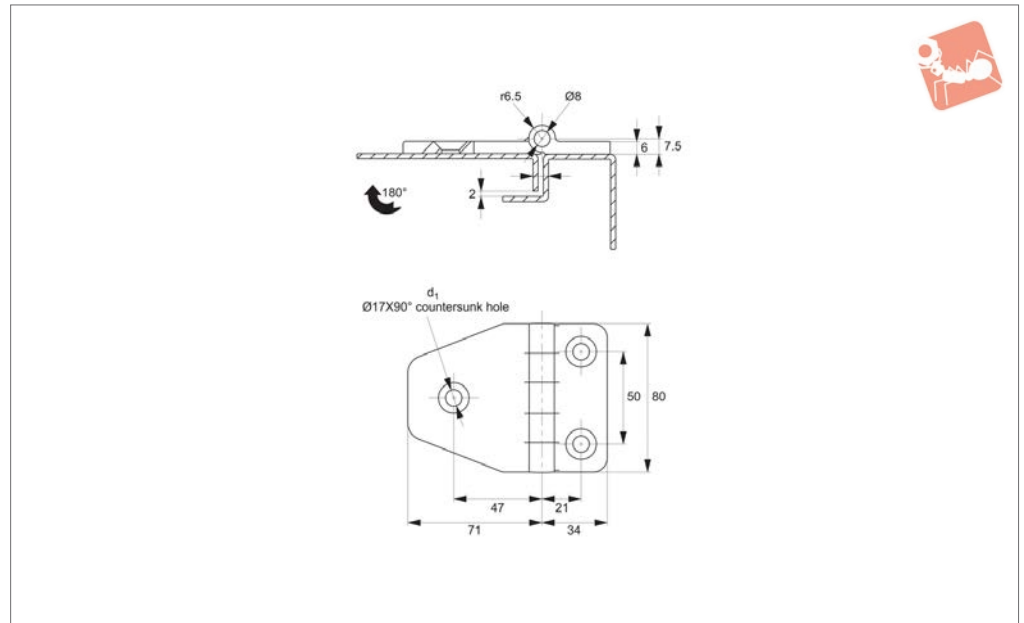
Opening angle 180°. Ideal for heating and ventilation applications, for use on flat panels and covers.

Mounting via M6 screws.

Order No.	Finish	Size	F _x N	F _y N	d ₁	Opening angle
S1826.AW0010	Black Polyamide	108 x130	800	600	6.5	180°



S1828



Material

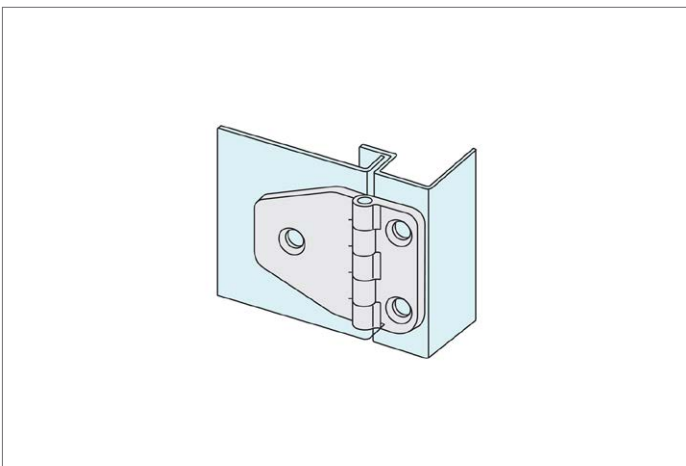
Polyamide plastic (PA), black.
Pin: steel, zinc plated.

Technical Notes

Opening angle 180°. Ideal for heating and ventilation apps, for use on flat panels and

covers. Mounting via M8 screws (not supplied).

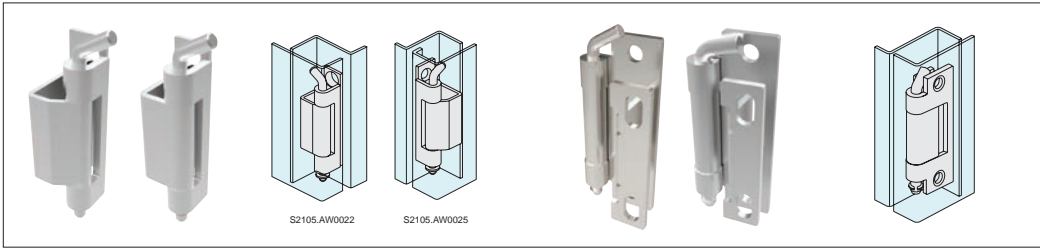
Order No.	Finish	Size	F _x N	F _y N	d ₁	Opening angle
S1828.AW0080	Black plastic	80 x 105	800	600	9	180°



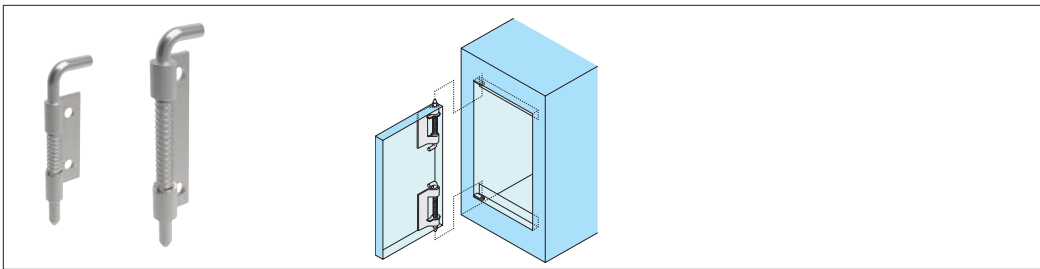


For added security or a sleek enclosure design, concealed hinges offer the solution with mounting discreetly hidden away from view to avoid tampering.

Concealed hinges



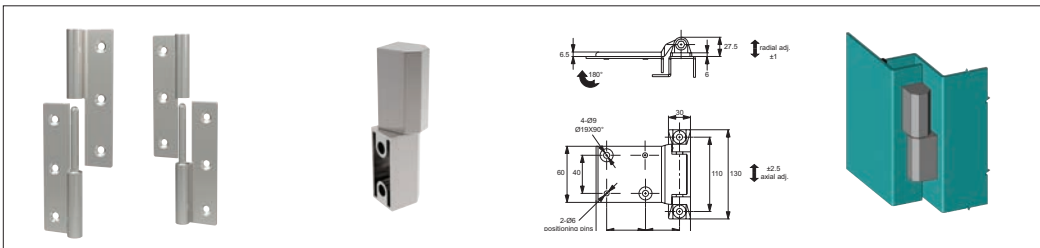
Concealed pivot hinges



End mount concealed pivot hinges

Door removal or lift-off hinges simplify removal of covers and panels to ease access for maintenance and repair, available in a selection of materials.

Door removal hinges



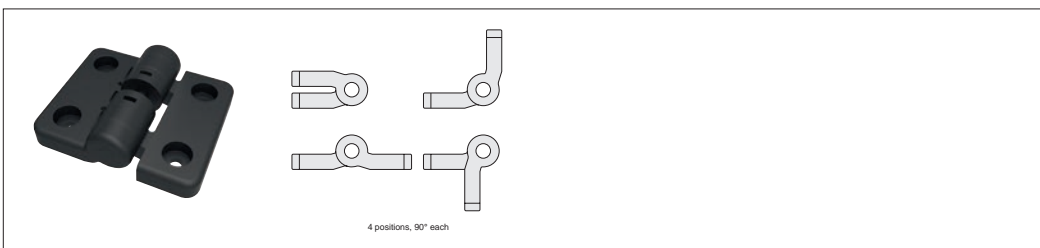
Lift off hinges

Torque and positioning hinges offer positive location of panels, screens and displays using constant friction for a firm hold.

Torque and positioning hinges



Constant torque hinges



Detent positioning hinges

HINGES

ov-W50050-A-T-W51828-A-T-wide-range-of-solutions-rmh - Updated - 01-11-2022



Left or right type: Which do you need?

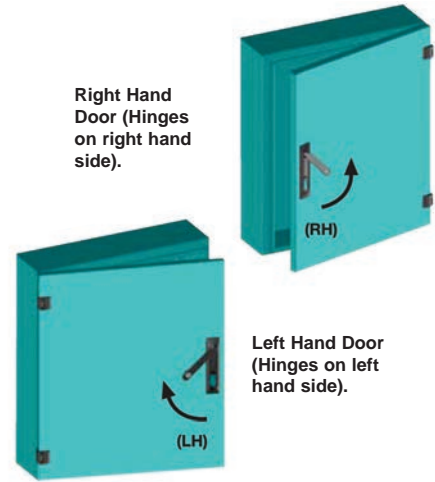
Wixroyd have a diverse range of hinges to suit most industrial applications in a wide range of materials and finishes.

Throughout our catalogue we refer to parts as being of a "Left" or "Right" type or hand. Which type you need, is most easily explained as follows;

Orientate your application so that when opened the door/panel comes towards you. With this orientation in mind, look to see on which side of the door/panel the hinges are mounted?

If the hinges are on the left side of the door/panel then you require "Left" type products. If the hinges are on the right side of the door/panel then you require "Right" type products.

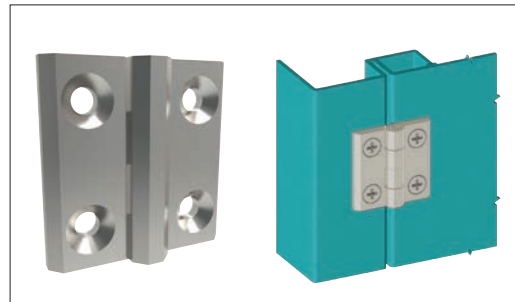
The illustration on the right clearly indicates the layout and orientation of the door where a "left" or "right" product is used.



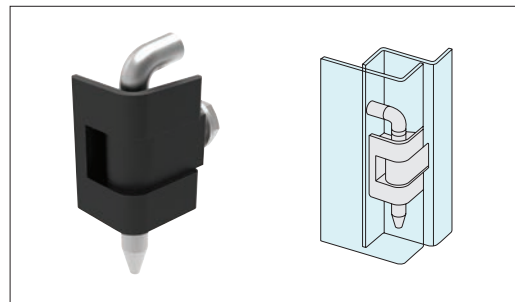
Hinges

External hinges

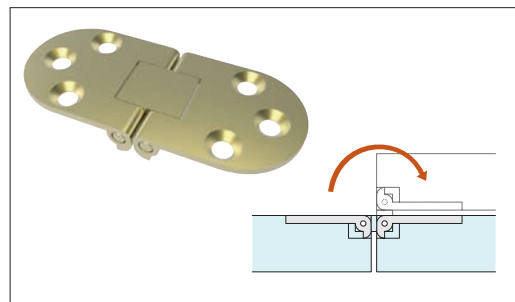
External or surface mount hinges have a wide range of application on electrical panels, sheet metal enclosures, generators and heating and venting applications.



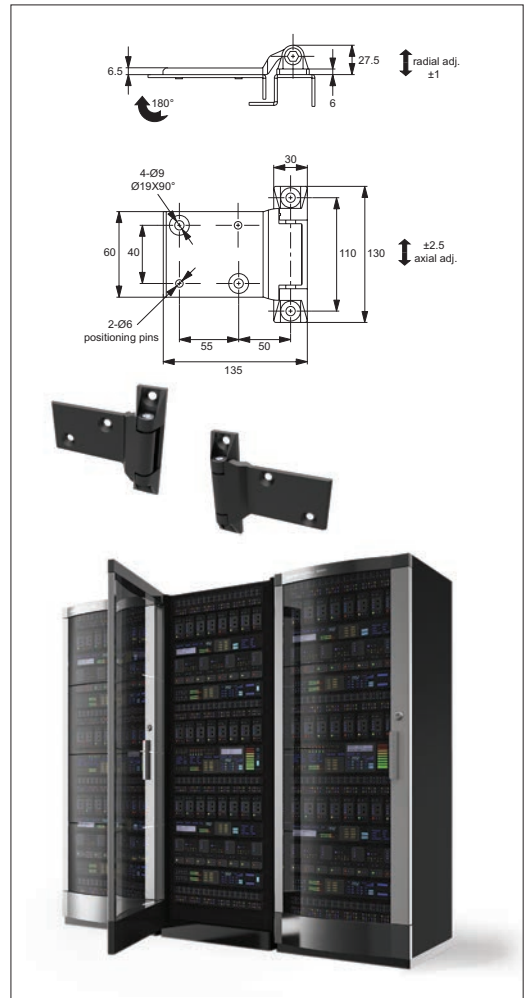
Surface mount hinges



Corner hinges



Flush mount hinges



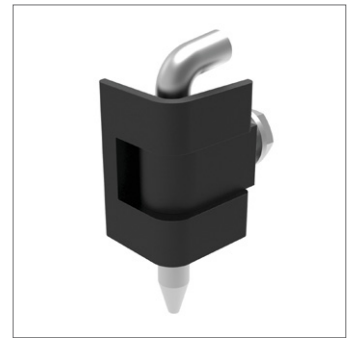
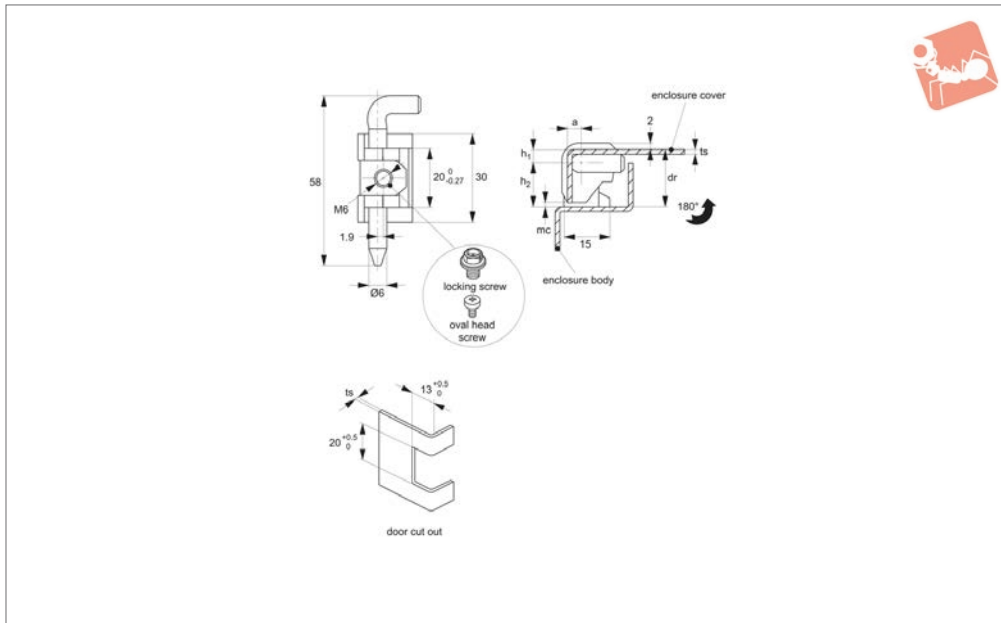
Surface mount hinges



Corner Hinge - 19-24mm Door Return cut out and locking screw - zinc



Hinges



S1901

HINGES

Material

Hinge: die cast zinc, black powder coated.
Pin: steel, nickel plated.

Technical Notes

Opening angle 180°. For sheet metal and machine enclosures with 19-24mm door

return and panel thickness 1,5 to 2,0mm.
See installation cut out for details.

Tips

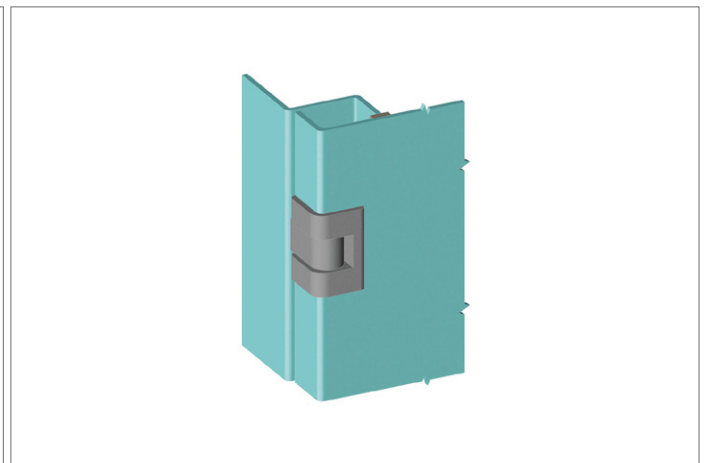
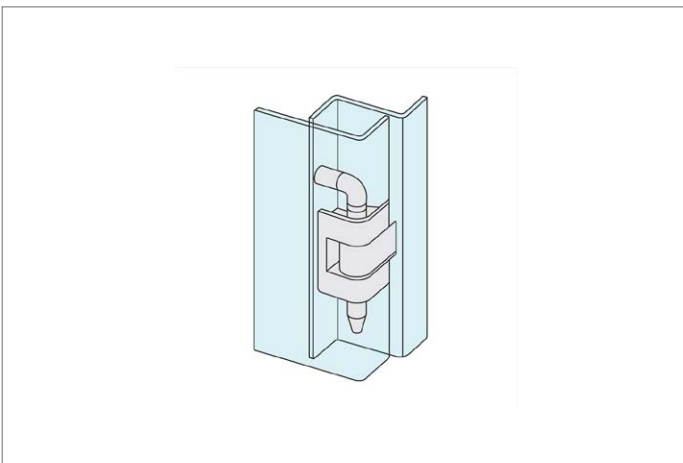
Mounting via M6 locking screw locking screw (not supplied).

Important Notes

dr= Maximum door return suitable for use with hinge.

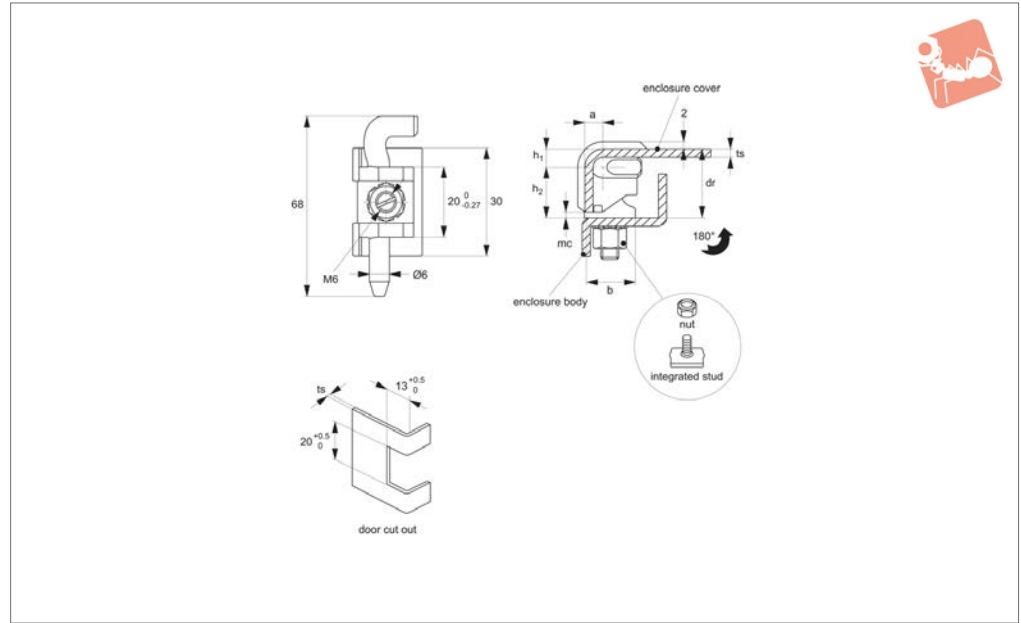
mc= Minimum clearance advised between enclosure cover and body to ensure smooth, full opening of enclosure cover.

Order No.	Finish	Door return	h_1	h_2	F_x N	F_y N	mc min.	ts panel thickness
S1901.AW0015	Black Coated	19.6	4.6	15	940	720	2	1.5
S1901.AW0017	Black Coated	21.6	4.6	17	940	720	2	1.5
S1901.AW0019	Black Coated	23.6	4.6	19	940	720	2	1.5
S1901.AW0025	Black Coated	21.1	5.1	15	425	225	2	2.0
S1901.AW0027	Black Coated	22.1	5.1	17	425	225	2	2.0
S1901.AW0029	Black Coated	24.1	5.1	19	425	225	2	2.0
S1901.AW0999	Oval Head Screw	-	-	-	-	-	-	-





S1903



Material

Hinge: stainless steel AISI 304, wire-drawing polishing.

Technical Notes

For sheet metal and machine enclosures with a 19 to 21mm door return, up to 2mm thick. For installation dimension see cut

out detail.

Universal left or right hand opening doors. Max. opening angle 180°.

Tips

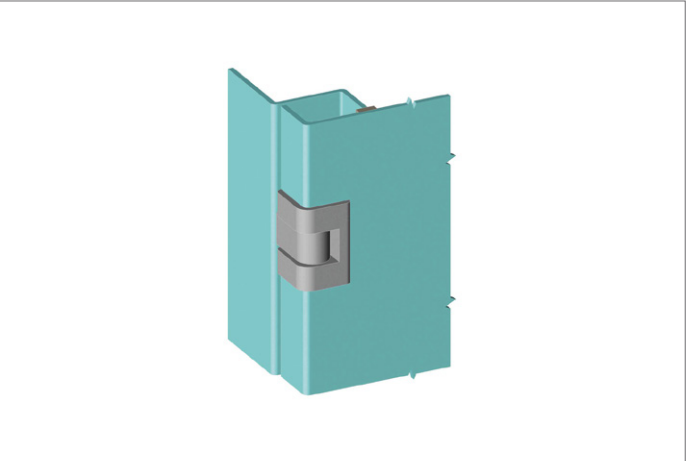
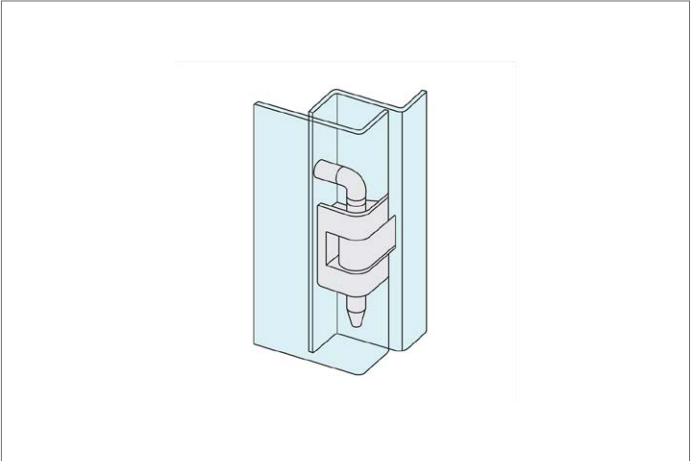
Use M6 nut on intergrated stud to secure (not supplied).

Important Notes

dr= Maximum door return suitable for use with hinge.

mc= Minimum clearance advised between enclosure cover and body to ensure smooth, full opening of enclosure cover.

Order No.	Finish	Door return	h_1	h_2	F_x kN	F_y kN	mc min.	ts panel thickness
S1903.AW0015	Stainless	19.6	4.6	15	900	700	2	1.5

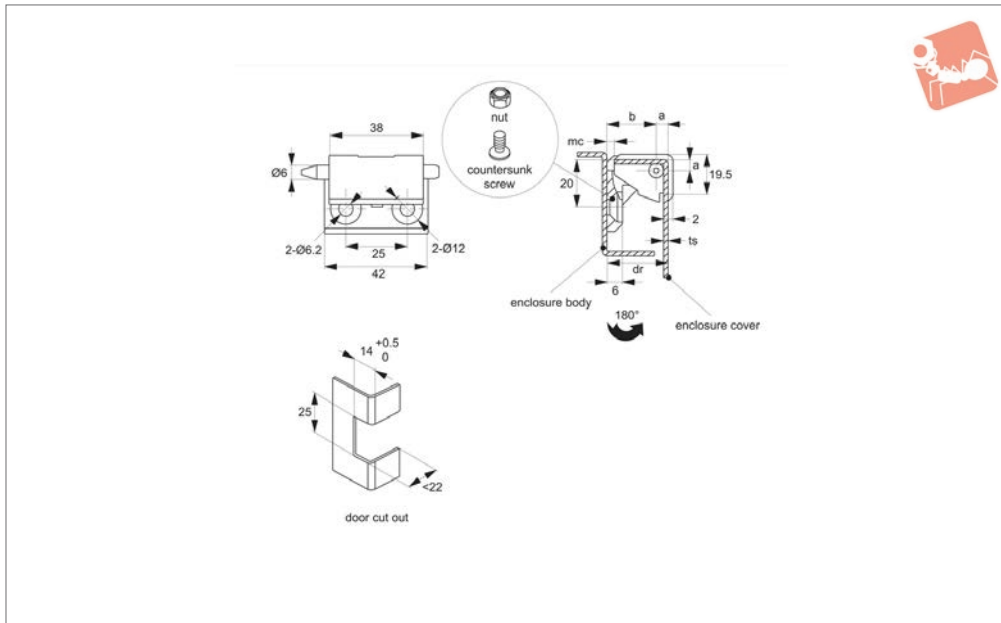




Corner Hinge - 24 to 26mm Door cut out and counter sunk screw - zinc



Hinges



S1911

HINGES

Material

Hinge: die cast zinc, black powder coated.
Pin: steel, nickel-plated.

Technical Notes

For sheet metal and machine enclosures
with a 24 to 26mm door return up to 3mm

thick. For installation dimension see cut
out detail.

Mounting via M6 screws.

Universal left or right hand opening doors.

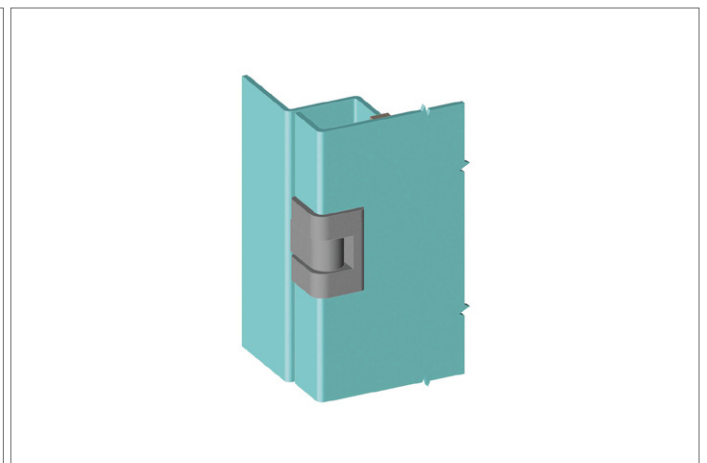
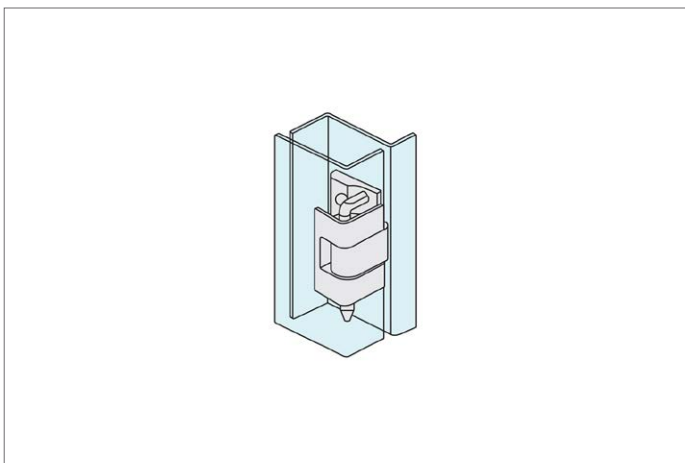
Max. opening angle 180°.

Important Notes

dr= Maximum door return suitable for use
with hinge.

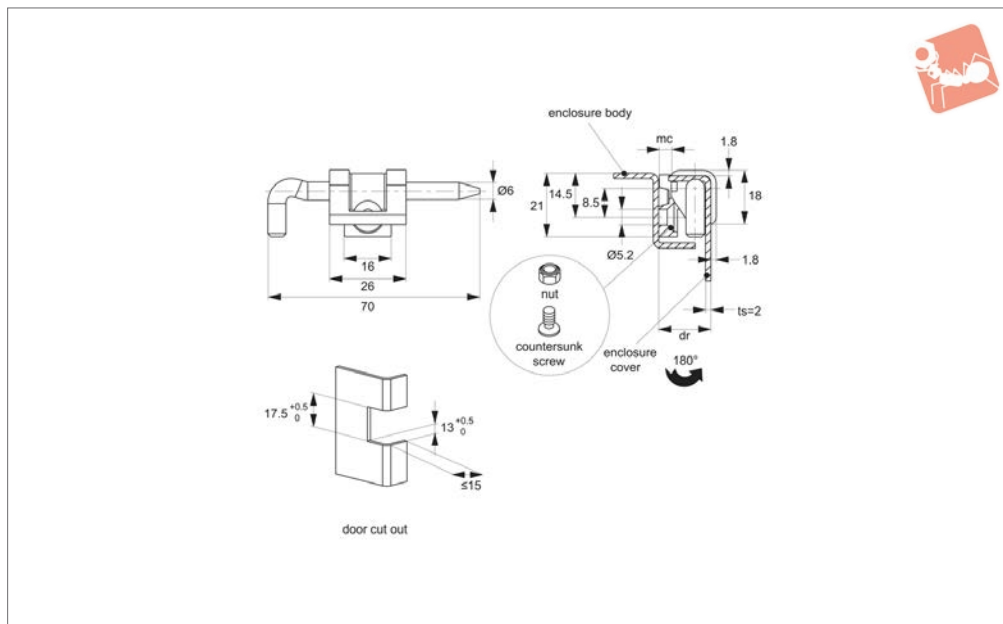
mc= Minimum clearance advised between
enclosure cover and body to ensure
smooth, full opening of enclosure cover.

Order No.	Finish	Door return	a	b	F_x N	F_y N	mc min.	ts panel thickness
S1911.AW0001	Black coated	24.1	4.6	20	1050	980	3	1.5
S1911.AW0002	Black coated	25.1	5.1	20	1050	980	3	2.0
S1911.AW0003	Black coated	26.1	6.1	20	1050	980	3	3.0





S1921



Material

Hinge: die cast zinc, black powder coated.
Pin: stainless steel AISI 304.

Technical Notes

For sheet metal and machine enclosures with a 17mm door return, upto 2mm thick.
For installation dimension see cut out

detail.

Universal left or right hand opening doors.
Max. opening angle 180°.

Tips

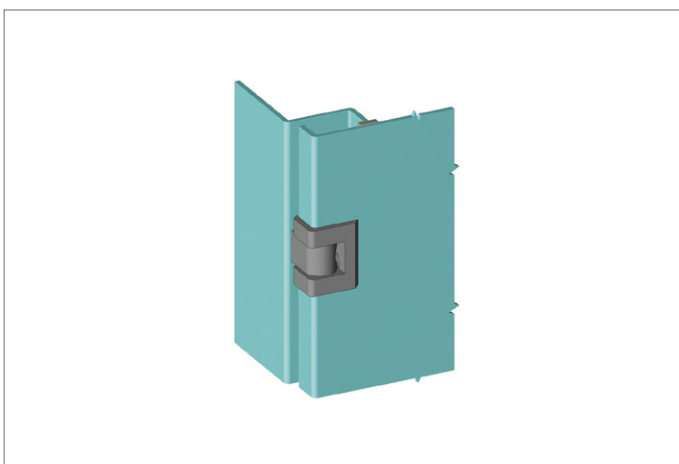
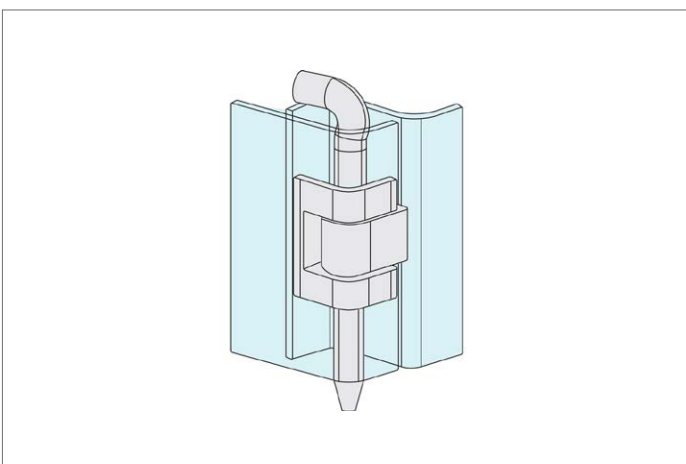
Mounting via M5 countersunk screws (not supplied).

Important Notes

dr= Maximum door return suitable for use with hinge.

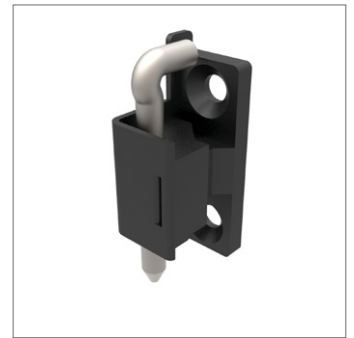
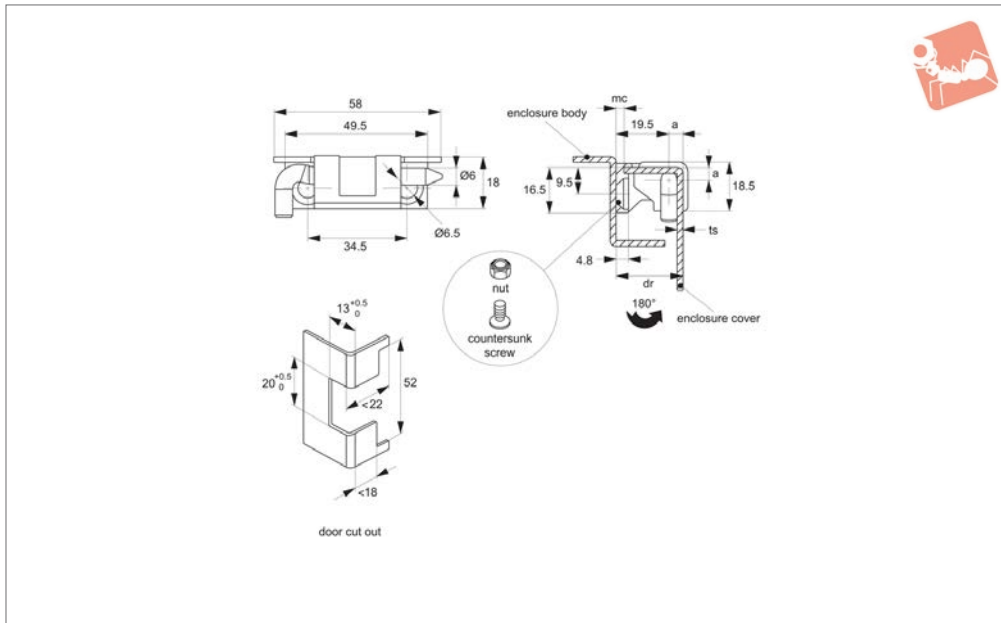
mc= Minimum clearance advised between enclosure cover and body to ensure smooth, full opening of enclosure cover.

Order No.	Finish	Door return	F _x N	F _y N	mc min.	ts panel thickness
S1921.AW0010	Black coated	17	405	805	2	2.0





Corner Hinge - 24mm Door Return cut out and countersunk screw - zinc



S1926

HINGES

Material

Hinge: die cast zinc, black powder coated.
Pin: steel, nickel-plated.

Technical Notes

For sheet metal and machine enclosures with a 24mm frame off-set, upto 2mm thick. For installation dimension see cut

out detail.

Universal left or right hand opening doors.
Max. opening angle 180°.

Tips

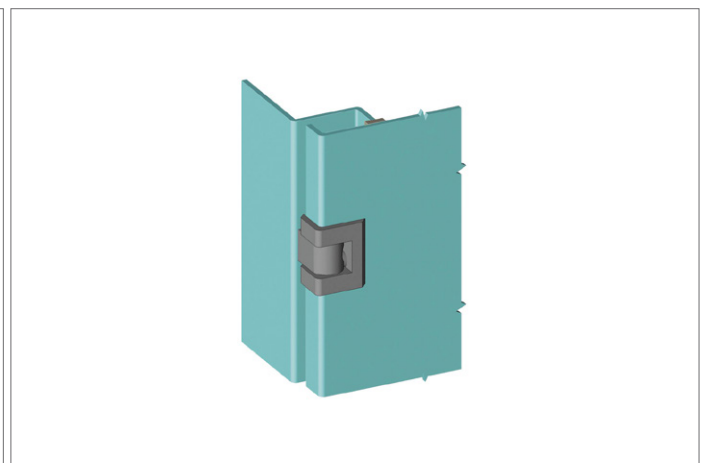
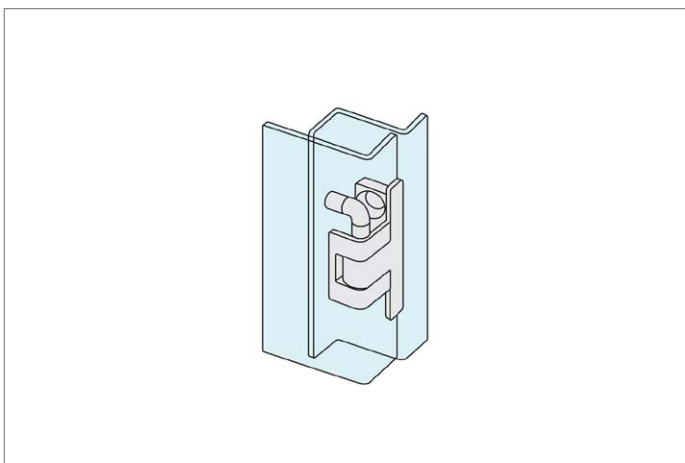
Mounting via M6 countersunk screws (not supplied).

Important Notes

dr= Maximum door return suitable for use with hinge.

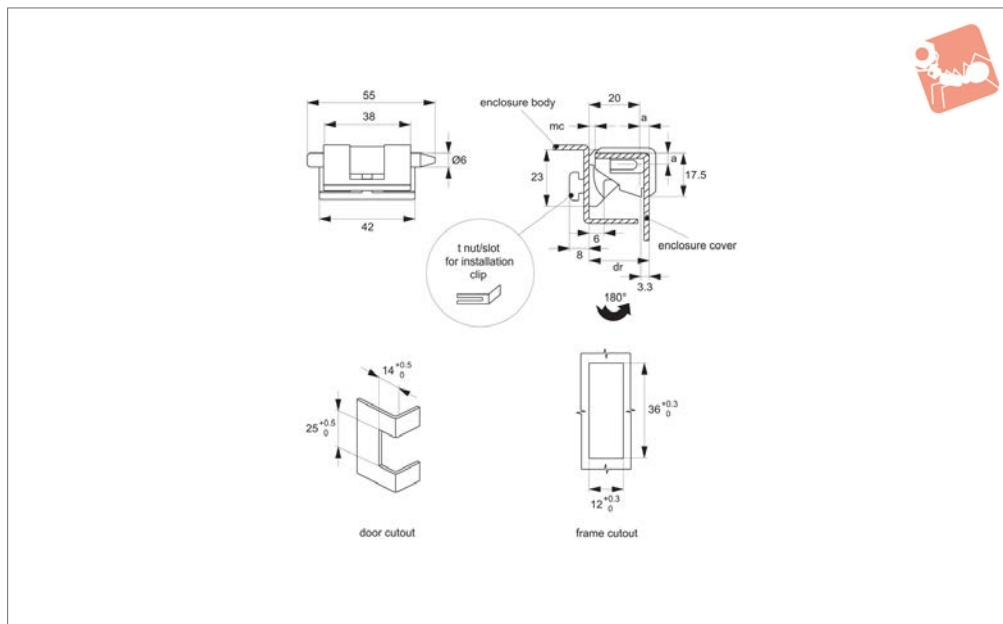
mc= Minimum clearance advised between enclosure cover and body to ensure smooth, full opening of enclosure cover.

Order No.	Finish	Door return	a	b	F _y kN	F _y kN	mc min.	ts panel thickness
S1926.AW0001	Black Coated	24.1	4.6	19.5	1.5	1.8	2.0	1.5
S1926.AW0002	Black Coated	24.6	5.1	19.5	1.5	1.8	2.0	2.0





S1928



Material

Hinge: die cast zinc, black powder coated.
Pin: steel, nickel-plated.

Technical Notes

Opening angle 180°.

Tips

Mounting via use of installation clip and

„t-nut“ slot on hinge body. Requires additional cutout in frame (see technical drawing).

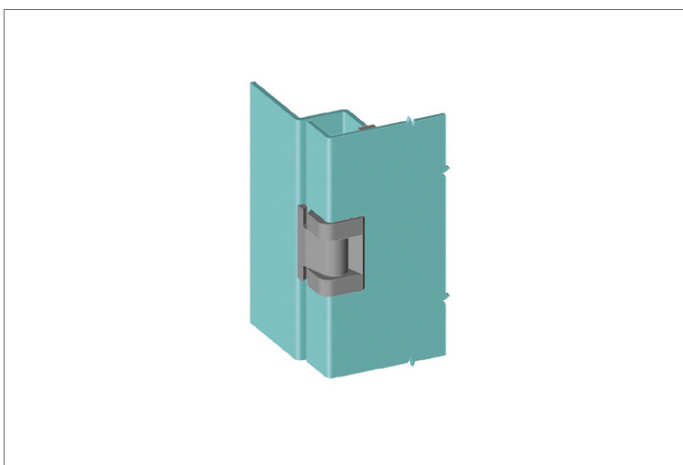
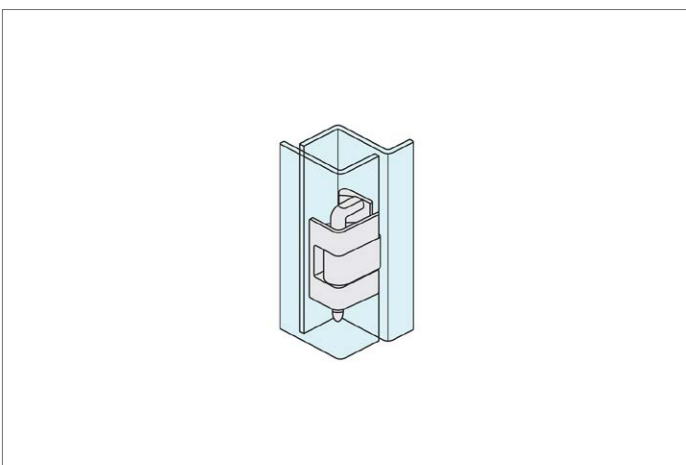
Important Notes

dr= Maximum door return suitable for use with hinge.

mc= Minimum clearance advised between

enclosure cover and body to ensure smooth, full opening of enclosure cover.

Order No.	Finish	Door return	a	b	F _x N	F _y N	mc min.	ts panel thickness
S1928.AW0001	Black Coated	24.6	4.6	20	1050	980	3	1.5
S1928.AW0002	Black Coated	25.1	5.1	20	1050	980	3	2.0
S1928.AW0003	Black Coated	26.1	6.1	20	1050	980	3	3.0



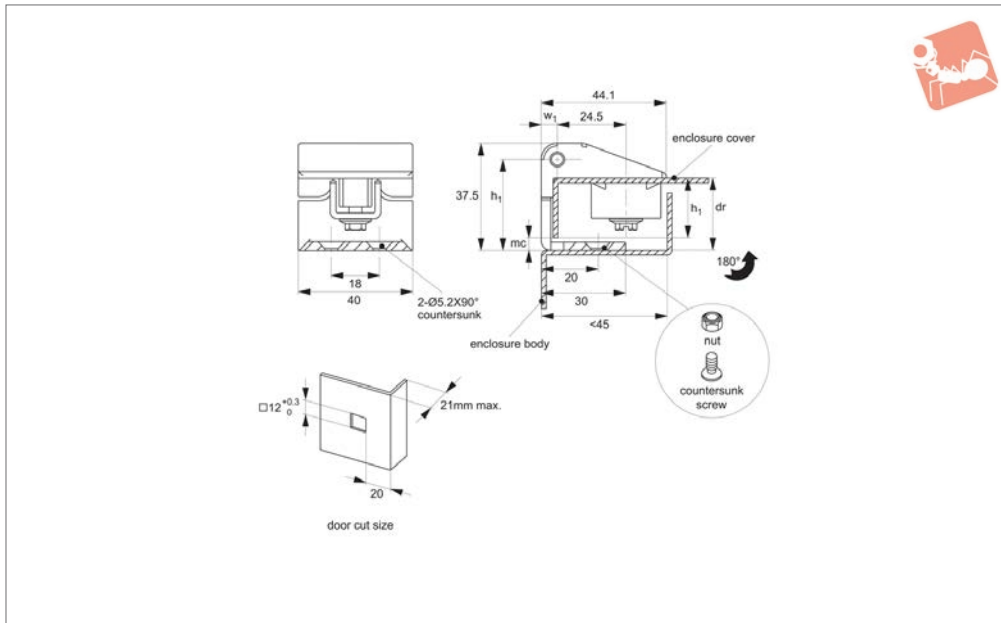


Corner Hinge 25,5mm Door Return

cut out and countersunk screw - zinc



Hinges



S1941

HINGES

Material

Door-part: die cast zinc, black coated.
Frame-part and pin: steel, black coated.

Technical Notes

For sheet metal and machine enclosures with a 25,5mm door return, up to 2mm

thick. For installation dimension see cut. Universal left or right hand opening doors. Max. opening angle 180°.

Tips

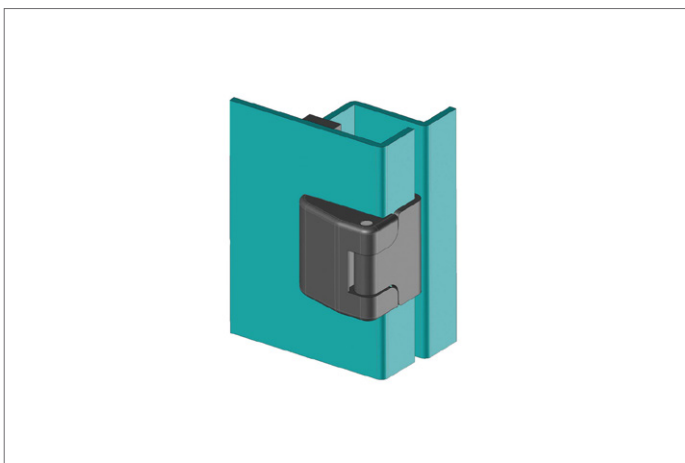
Mounting via M5 countersunk screws (not supplied), and support bracket (supplied)

Important Notes

dr= Maximum door return suitable for use with hinge.

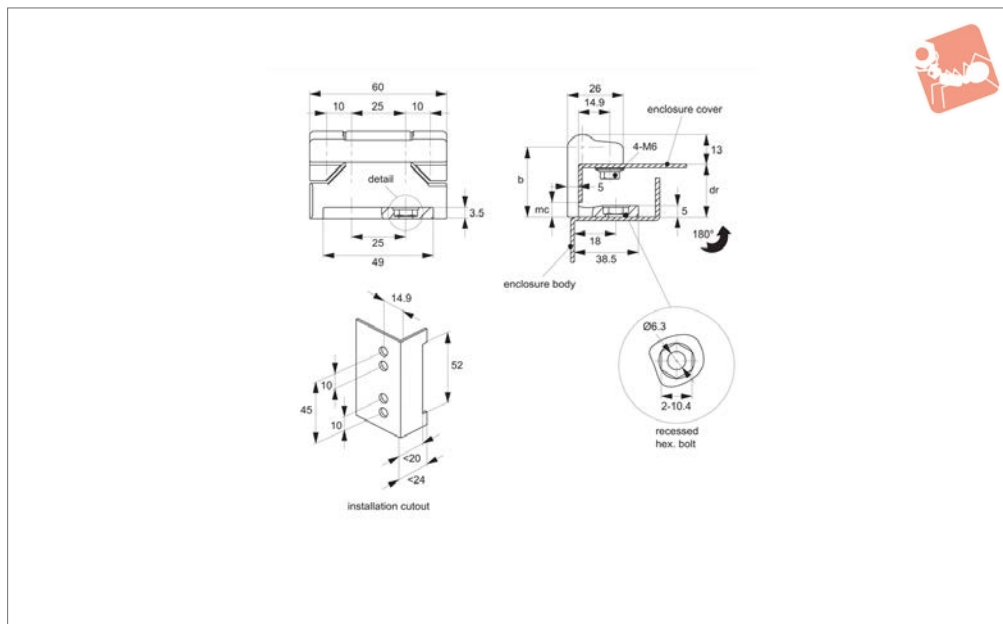
mc= Minimum clearance advised between enclosure cover and body to ensure smooth, full opening of enclosure cover.

Order No.	Finish	Door return	h_1	w_1	F_x N	F_y N	mc min.	ts panel thickness
S1941.AW0010	Black Coated	25.5	32	5.6	300	250	4	2





S1942



Material

Hinge: die cast zinc, black powder coated.
Pin: steel, black-plated.
Bearing washer: brass.

Technical Notes

For sheet metal and machine enclosures with a 25,5mm door return, up to 2mm

thick. For installation dimension see cut.
Universal left or right hand opening doors.
Max. opening angle 180°.

Tips

Mounting via M6 bolts with hex head of 10mm a/f (not supplied).

Important Notes

DR= Maximum door return suitable for use with hinge.
MC= Minimum clearance advised between enclosure cover and body to ensure smooth, full opening of enclosure cover.

Order No.	Finish	Door return	a	b	F _x N	F _y N	mc min.	ts panel thickness
S1942.AW010	Black Coated	25	5.6	32	980	630	5	2

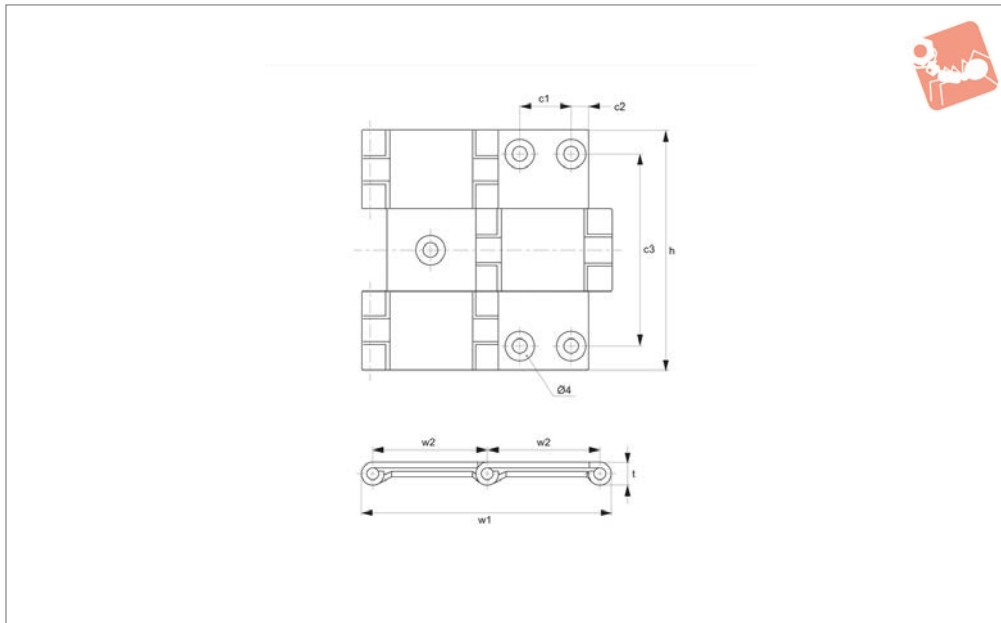


Surface Mount - Double Pivot

screw mount - stainless steel



Hinges



S2010

HINGES

Material

Stainless steel, AISI 304, satin finish.

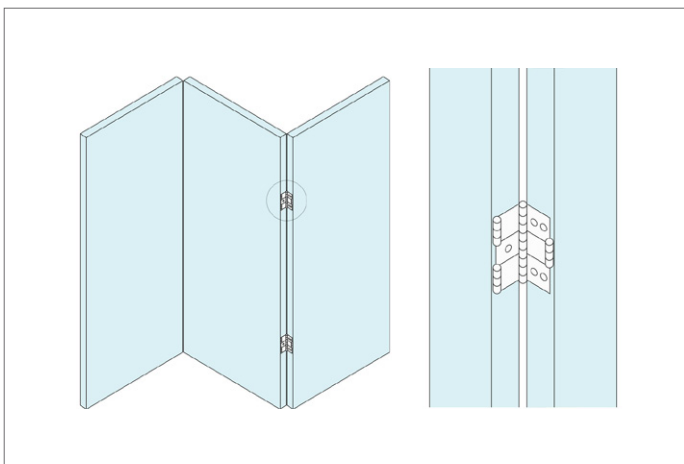
Max. door size - 450w x 700h x 21mm

thick. Max. door weight - 2,6Kg per hinge pair.

Technical Notes

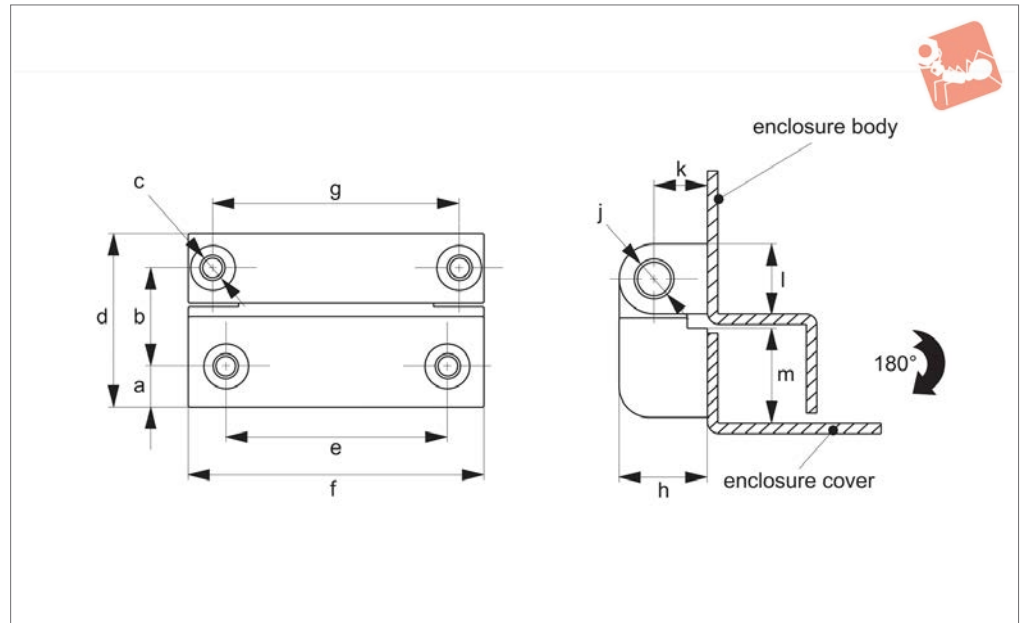
Universal left and right swing of 180°.

Order No.	c ₁	c ₂	c ₃	t	w ₁	w ₂	y	Weight g
S2010.AC0060	13.5	4.8	47	5.6	64	29.0	60	65
S2010.AC0070	13.5	6.8	57	7.5	78	35.0	70	130
S2010.AC0080	22.0	6.5	66	7.5	94	43.2	80	175





S2015



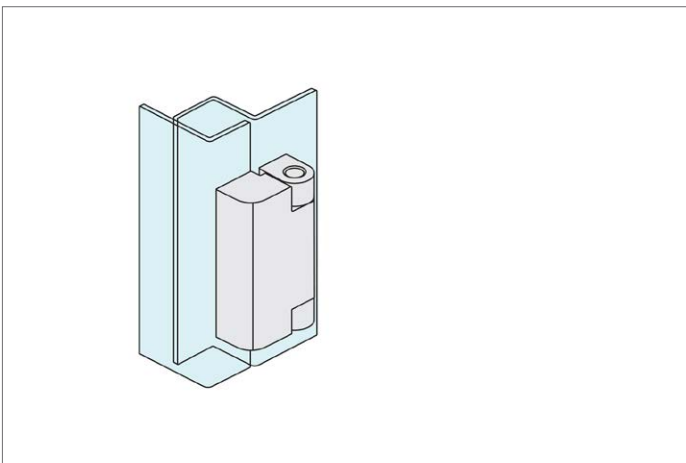
Material

Hinge: die cast zinc, black powder coated.
Pin: steel, nickel-plated.

Technical Notes

Opening angle 180°. Mounting via screws
dimension c.

Order No.	a	b	c	e	g	h	l	j	k	m	f	F_x N	F_y N	d
S2015.AW0022	4	13.0	M 4	22	22	13	10	Ø5	8	9.0	30	600	460	22.0
S2015.AW0028	4	18.5	M 4	22	22	13	10	Ø5	8	14.5	30	700	800	27.5
S2015.AW0035	8	20.0	M 5	45	50	18	14	Ø8	11	18.0	60	1000	1200	35.0



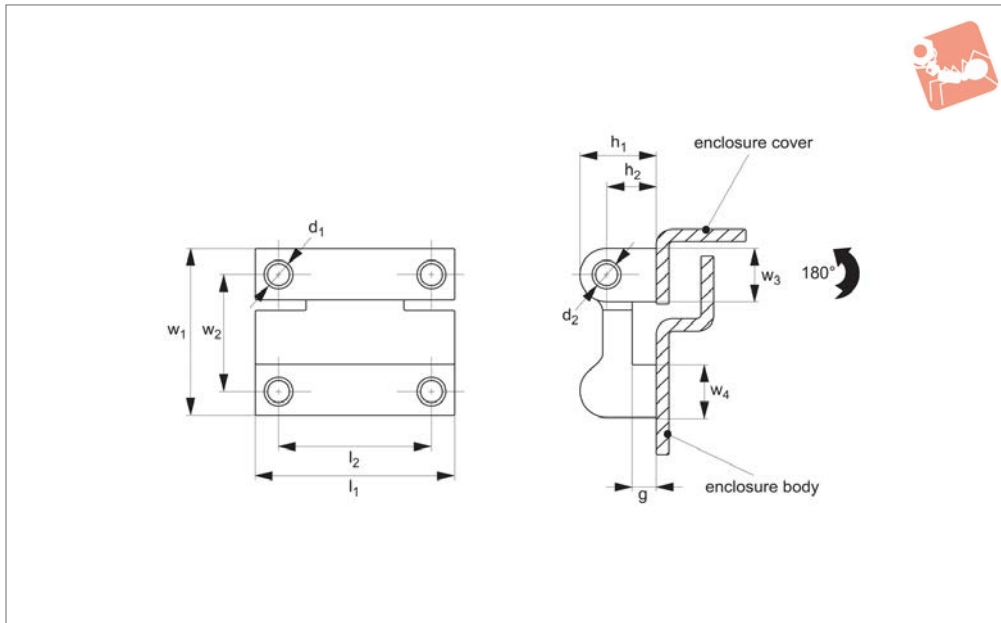


Surface Mount - Off-Set - Mount

bolt-on - zinc



Hinges



S2017

HINGES

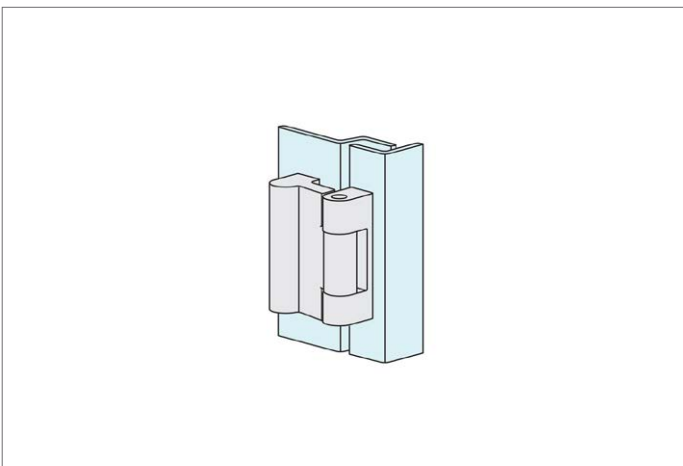
Material

Body: die cast zinc, black powder coated.
Pin: steel, nickel plated.

Technical Notes

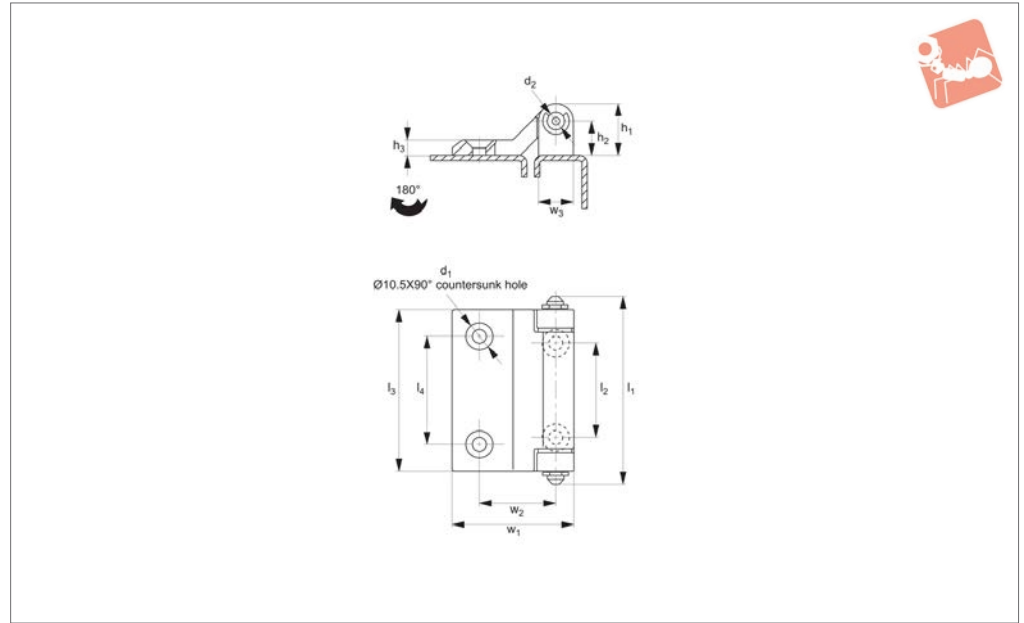
Opening angle 180°. Mounting via M4 screws.

Order No.	Finish	h_1	h_2	l_1	l_2	w_1	w_2	w_3	w_4	F_x N	F_y N	d_1	d_2	g off set
S2017.AW0030	Black Powder Coated	11.5	7.5	30	23	26	18	8	8	1150	700	M 4	4	3.5





S2030



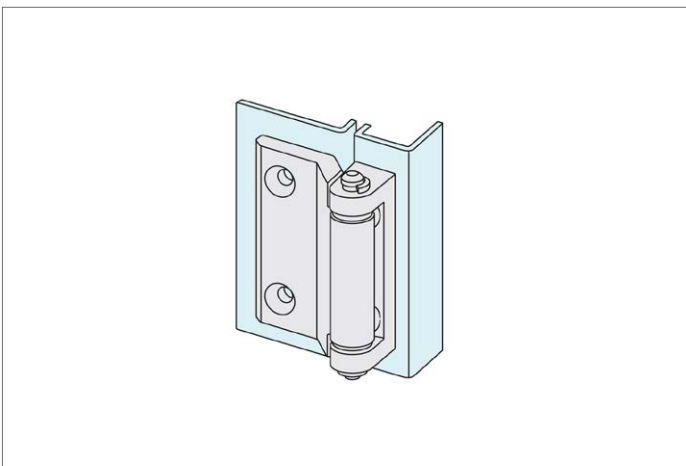
Material

Body: die cast zinc, black powder coated.
Pin: steel, nickel plated.

Technical Notes

Opening angle 180°. Mount via M5 screw
(not supplied).

Order No.	Finish	h_1	h_2	h_3	l_1	l_2	l_3	l_4	w_1	w_2	w_3	F_x N	F_y N	d_1	d_2
S2030.AW0030	Black Coated	18	13	6	70	35	60	40	45	28.7	13	55	75	5.5	6.5



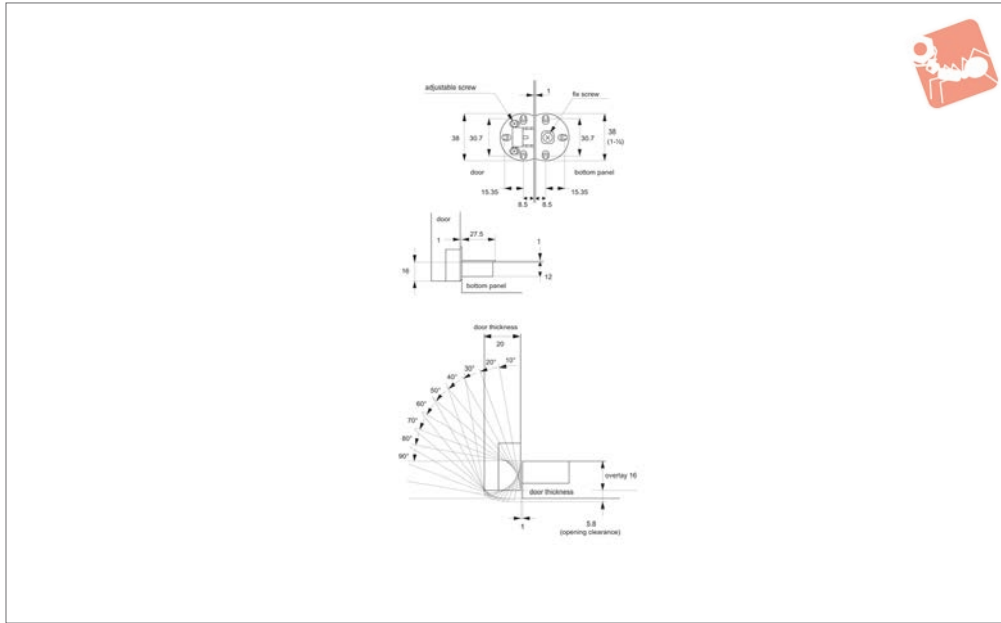


Flush Mount - Drop Lid Hinges

overlay - zinc



Hinges



S2050

HINGES

Material

Die cast zinc, nickel plated.

Technical Notes

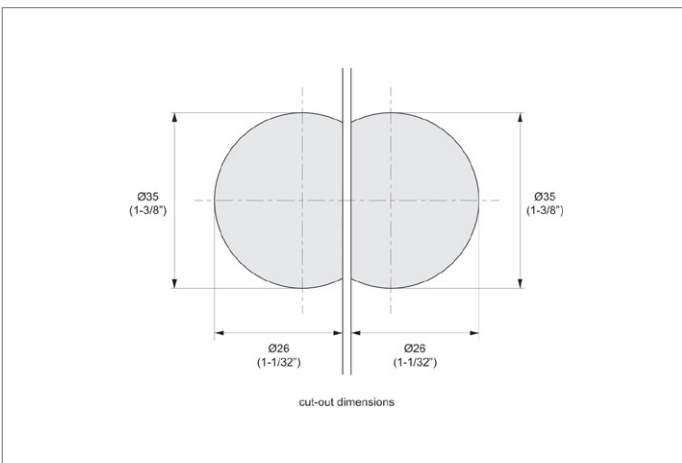
Hinge flush when opened.

Max door thickness: 16-20mm. Overlay coverage: 14-16mm.
Hinge alignment adjustable after installation. Max. opening angle 90°.

Important Notes

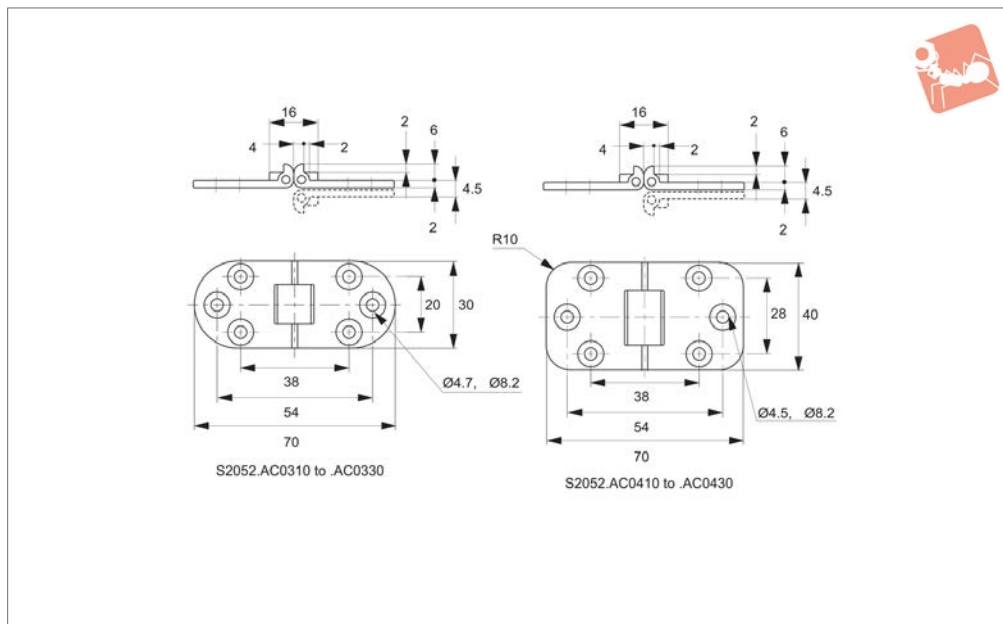
Ideal for use in hi-fi cabinets, writing desks etc.

Order No.	Door thickness max.	Hinge dia.	Weight g
S2050.AC0038	16-20mm	38	79





S2052



Material

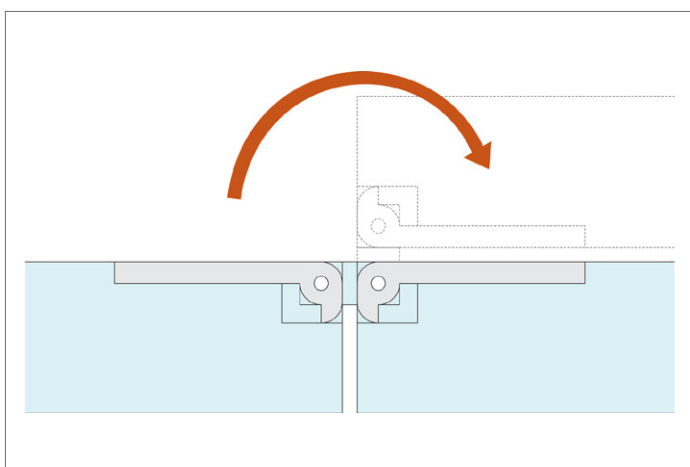
Brass, finished either as polished brass, satin nickel or chrome plating.

Technical Notes

Max. door size: 450w x 700h x 21mm thick.
Provides 180° opening to table tops and

flat surfaces.

Order No.	Finish	Size	Weight capacity per pair	Weight
			kg max.	g
S2052.AC0310	Satin Nickel	30	4.0	45
S2052.AC0320	Chrome	30	4.0	45
S2052.AC0330	Brass	30	4.0	45
S2052.AC0410	Satin Nickel	40	4.0	64
S2052.AC0420	Chrome	40	4.0	64
S2052.AC0430	Brass	40	4.0	64



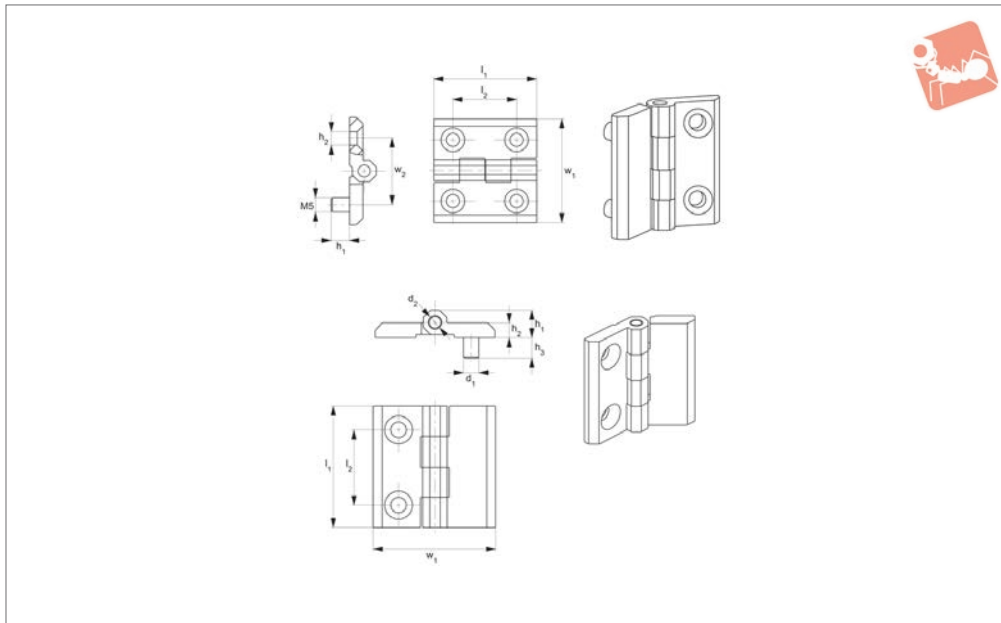


Surface Mount - Leaf Hinges

rear front mount



Hinges



S1102

HINGES

Material

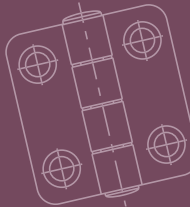
Die Cast Zinc, Black Powder Coated Pin: steel, nickel plated.
 Die Cast Zinc, Chrome Finish Pin: steel,

nickel plated.

Technical Notes

For plain/flush mounted doors, as well as electrical panels and covers.

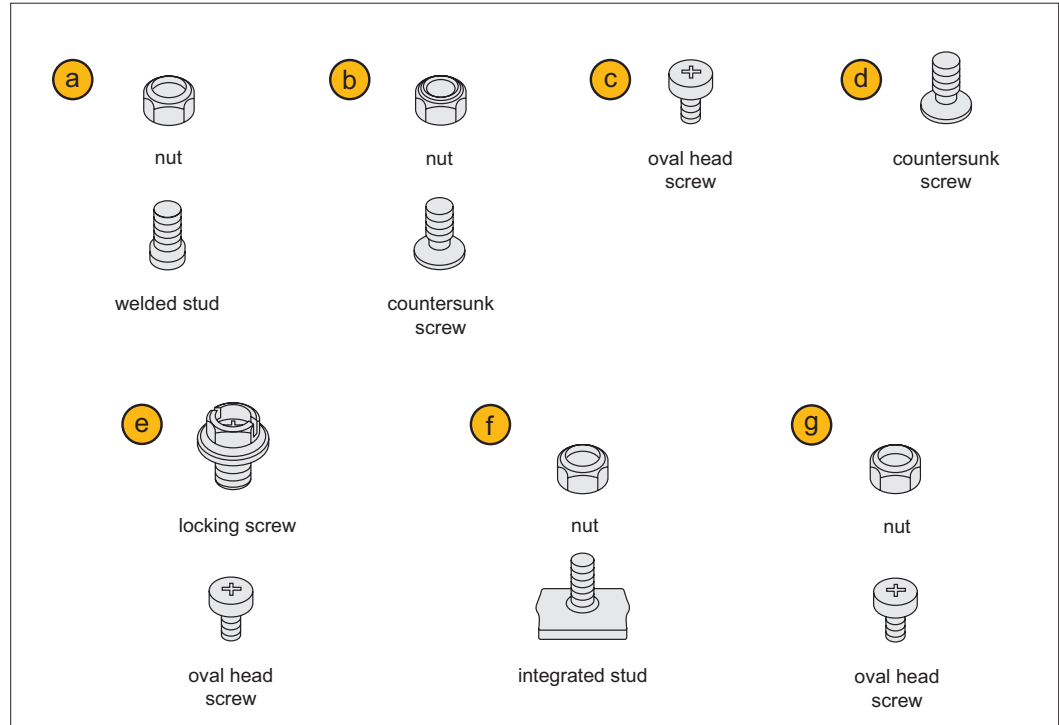
Order No.	Type	Size	h ₁	h ₂	h ₃	l ₁	l ₂	w ₁	w ₂	d ₁	d ₂	90° Angled stress	Axial stress kN	Radial stress kN
S1102.AW0040	Black Coated	40x40	9.0	5	10.0	40	25	40	25	M 5	4	2.0	1.45	2.1
S1102.AW0050	Black Coated	50x50	11.5	6	12.5	50	30	50	30	M 6	6	2.45	2.1	3.5
S1102.AW0140	Chrome	40x40	9.0	5	10.0	40	25	40	25	M 5	4	-	-	-
S1102.AW0150	Chrome	50x50	11.5	6	12.5	50	30	50	30	M 6	6	-	-	-



A variety of mounting methods are available!

Mounting combinations

Wixroyd concealed hinges can be mounted in a variety of ways using additional nuts and bolts.



Important Note: Refer to individual product pages for suitable mounting options. If you have any problems please contact our Technical Sales Team.

Mounting example

In the example, mounting option ②, a nut with a countersunk screw, is used to mount the hinge onto the enclosure body.

