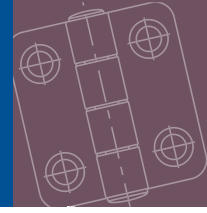


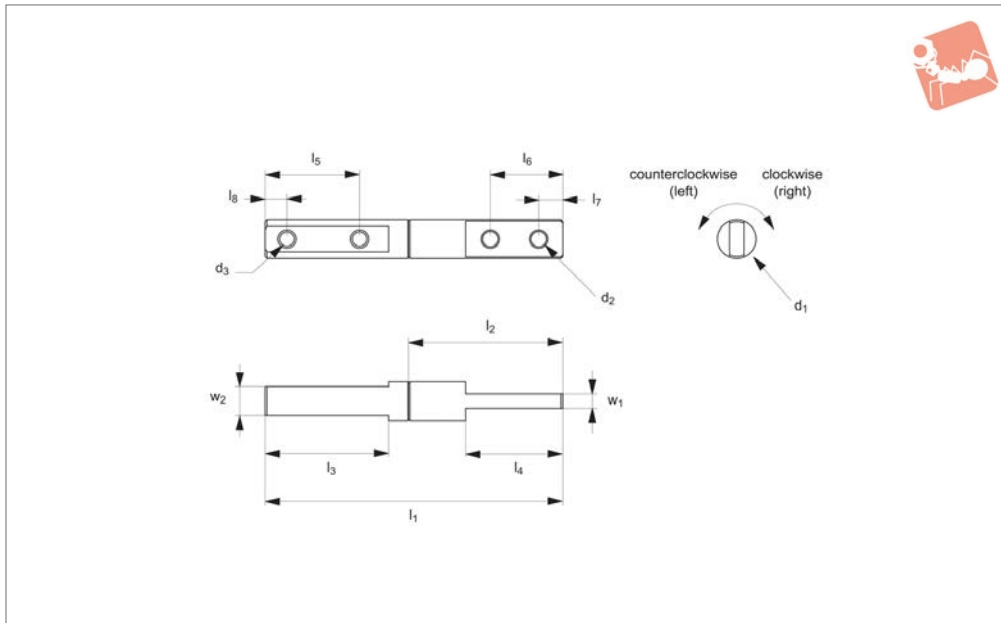


Friction Hinges

symmetric torque - 0,05-3,80 Nm. - plain bore



Hinges



S3810

HINGES

Material

Steel with nickel plating finish.

S3810.AC0003 and .AC0004 to within +/- 35%). 360° shaft rotation.

directions.

CW= clockwise.

CCW= counterclockwise.

Technical Notes

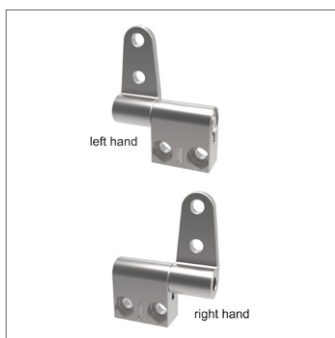
Tested to 10,000 cycles with static torque value remaining within +/- 25%. (Note;

Important Notes

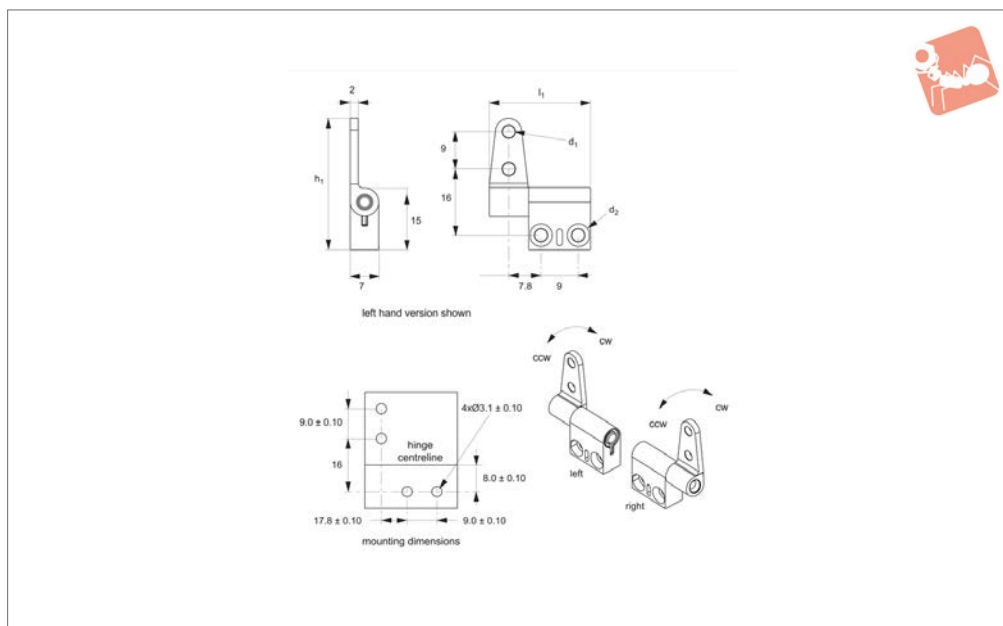
Symmetric hinges, offer same torque value in both clockwise and counterclockwise

Order No.	Dia. size	Torque CW Nm	Torque CCW Nm	Shaft rotation	Torque type	d ₁	d ₂	d ₃
S3810.AC0003	3	0.05	0.05	360°	Symmetric	3	-	-
S3810.AC0004	4	0.13	0.13	360°	Symmetric	4	2.2	2.2
S3810.AC0005	5	0.40	0.40	360°	Symmetric	5	2.6	2.6
S3810.AC0006	6	0.50	0.50	360°	Symmetric	6	3.2	3.2
S3810.AC0007	7	0.60	0.60	360°	Symmetric	7	3.7	3.7
S3810.AC0008	8	0.50	0.50	360°	Symmetric	8	3.2	3.2
S3810.AC0009	8	0.80	0.80	360°	Symmetric	8	3.2	3.2
S3810.AC0010	10	1.00	1.00	360°	Symmetric	10	4.3	4.3

Order No.	l ₁	l ₂	l ₃	l ₄	l ₅	l ₆	l ₇	l ₈	w ₁	w ₂
S3810.AC0003	27.0	9.2	8.0	8.0	-	-	-	-	1.5	-
S3810.AC0004	33.0	12.2	11.0	11.0	7.5	7.5	3.0	3.0	2.0	-
S3810.AC0005	39.0	15.2	14.0	14.0	10.5	10.5	3.5	3.5	2.0	-
S3810.AC0006	41.0	15.5	14.0	14.0	10.5	10.5	3.5	3.5	2.5	-
S3810.AC0007	47.0	18.0	16.0	16.0	12.0	12.0	4.0	4.0	3.0	-
S3810.AC0008	54.5	31.9	20.1	20.1	15.0	15.0	5.0	5.0	3.0	3.0
S3810.AC0009	54.5	31.9	20.1	20.1	15.0	15.0	5.0	5.0	3.0	3.0
S3810.AC0010	57.2	21.5	20.0	20.0	15.0	15.0	5.0	5.0	4.0	-



S3820



Material

Zinc alloy, steel and grease with natural finish.

Technical Notes

Tested to 25,000 cycles with static torque value remaining within +/- 20%.

Tips

For mounting and installation information

refer to technical diagram.

Also available with black oxide finish, on request and subject to min. quantity.

Important Notes

Symmetric hinges, offer same torque value in both clockwise and counterclockwise directions. Asymmetric hinges, offer different torque value in clockwise and counter-

clockwise directions - see data table.

CW= clockwise.

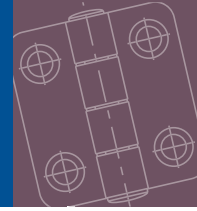
CCW= counterclockwise.

Order No.	Torque CW Nm	Torque CCW Nm	Shaft rotation	Hand	Torque type	d ₁	d ₂	h ₁	l ₁
S3820.AC0002	0.20	0.20	360°	Right	Symmetric	3.05	Ø5,44x2,54 dpt.	31.68	25.52
S3820.AC1002	0.20	0.20	360°	Left	Symmetric	3.05	Ø5,44x2,54 dpt.	31.68	25.52
S3820.AC0005	0.50	0.50	360°	Right	Symmetric	3.05	Ø5,44x2,54 dpt.	31.68	25.52
S3820.AC1005	0.50	0.50	360°	Left	Symmetric	3.05	Ø5,44x2,54 dpt.	31.68	25.52
S3820.AC0007	0.70	0.70	360°	Right	Symmetric	3.05	Ø5,44x2,54 dpt.	31.68	25.52
S3820.AC1007	0.70	0.70	360°	Left	Symmetric	3.05	Ø5,44x2,54 dpt.	31.68	25.52
S3820.AC0009	0.90	0.90	360°	Right	Symmetric	3.05	Ø5,44x2,54 dpt.	31.68	25.52
S3820.AC1009	0.90	0.90	360°	Left	Symmetric	3.05	Ø5,44x2,54 dpt.	31.68	25.52
S3820.AC0207	0.70	0.40	360°	Right	Asymmetric	3.05	Ø5,44x2,54 dpt.	31.68	25.52
S3820.AC1207	0.70	0.40	360°	Left	Asymmetric	3.05	Ø5,44x2,54 dpt.	31.68	25.52
S3820.AC0209	0.90	0.55	360°	Right	Asymmetric	3.05	Ø5,44x2,54 dpt.	31.68	25.52
S3820.AC1209	0.90	0.55	360°	Left	Asymmetric	3.05	Ø5,44x2,54 dpt.	31.68	25.52
S3820.AC0211	1.10	0.70	360°	Right	Asymmetric	3.05	Ø5,44x2,54 dpt.	31.68	25.52
S3820.AC1211	1.10	0.70	360°	Left	Asymmetric	3.05	Ø5,44x2,54 dpt.	31.68	25.52
S3820.AC0307	0.40	0.70	360°	Right	Asymmetric	3.05	Ø5,44x2,54 dpt.	31.68	25.52
S3820.AC1307	0.40	0.70	360°	Left	Asymmetric	3.05	Ø5,44x2,54 dpt.	31.68	25.52
S3820.AC0309	0.55	0.90	360°	Right	Asymmetric	3.05	Ø5,44x2,54 dpt.	31.68	25.52
S3820.AC1309	0.55	0.90	360°	Left	Asymmetric	3.05	Ø5,44x2,54 dpt.	31.68	25.52
S3820.AC0311	0.70	1.10	360°	Right	Asymmetric	3.05	Ø5,44x2,54 dpt.	31.68	25.52
S3820.AC1311	0.70	1.10	360°	Left	Asymmetric	3.05	Ø5,44x2,54 dpt.	31.68	25.52

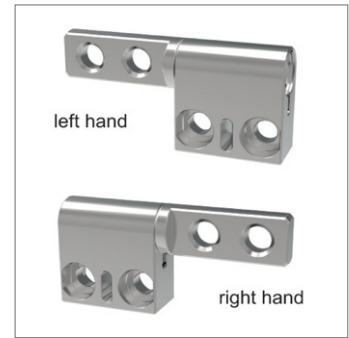
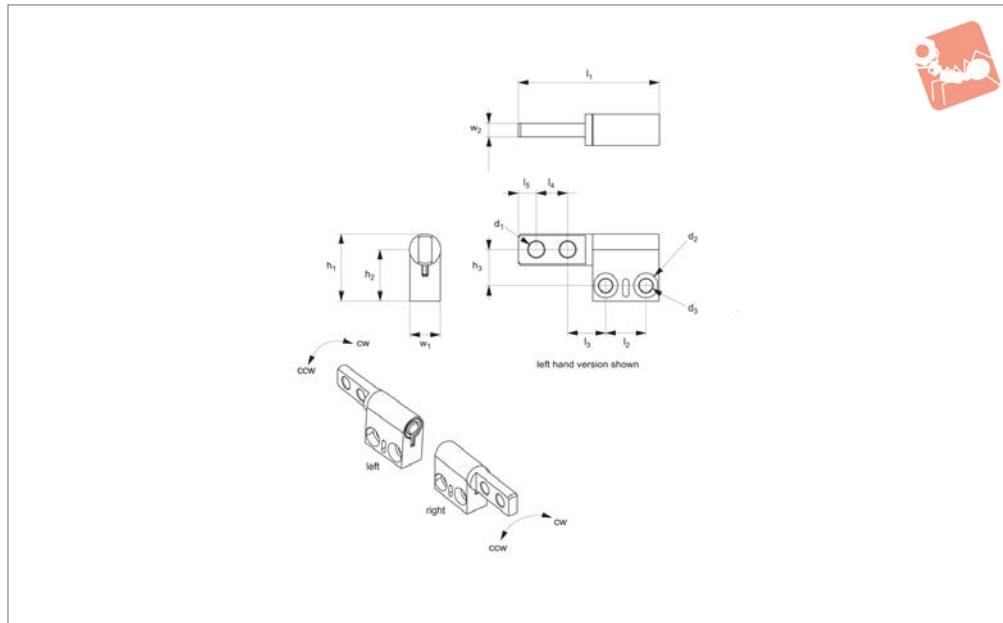


Friction Hinges

symmetric - asymmetric torque - 0,5-1,1 Nm. -



Hinges



S3824

HINGES

Material

Steel and zinc with natural finish.

Technical Notes

Tested to 25,000 cycles with static torque value remaining within +/- 20%.

Tips

Also available as black oxide finish, on

request and subject to min. quantity.

Important Notes

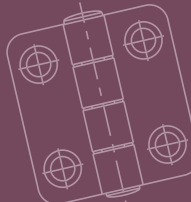
Symmetric hinges, offer same torque value in both clockwise and counterclockwise directions. Asymmetric hinges, offer different torque value in clockwise and counterclockwise directions - see data table.

CW= clockwise

CCW= counterclockwise

Order No.	Torque CW Nm	Torque CCW Nm	Shaft rotation	Hand	Torque type	d ₁	d ₂
S3824.AC0002	0.20	0.20	360°	Right	Symmetric	3.5	Ø5,44x2,54 dpt.
S3824.AC0005	0.50	0.50	360°	Right	Symmetric	3.5	Ø5,44x2,54 dpt.
S3824.AC0007	0.70	0.70	360°	Right	Symmetric	3.5	Ø5,44x2,54 dpt.
S3824.AC0009	0.90	0.90	360°	Right	Symmetric	3.5	Ø5,44x2,54 dpt.
S3824.AC0207	0.70	0.40	360°	Right	Asymmetric	3.5	Ø5,44x2,54 dpt.
S3824.AC0209	0.90	0.55	360°	Right	Asymmetric	3.5	Ø5,44x2,54 dpt.
S3824.AC0211	1.10	0.70	360°	Right	Asymmetric	3.5	Ø5,44x2,54 dpt.
S3824.AC0307	0.40	0.70	360°	Right	Asymmetric	3.5	Ø5,44x2,54 dpt.
S3824.AC0309	0.55	0.90	360°	Right	Asymmetric	3.5	Ø5,44x2,54 dpt.
S3824.AC0311	0.70	1.10	360°	Right	Asymmetric	3.5	Ø5,44x2,54 dpt.
S3824.AC1002	0.20	0.20	360°	Left	Symmetric	3.5	Ø5,44x2,54 dpt.
S3824.AC1005	0.50	0.50	360°	Left	Symmetric	3.5	Ø5,44x2,54 dpt.
S3824.AC1007	0.70	0.70	360°	Left	Symmetric	3.5	Ø5,44x2,54 dpt.
S3824.AC1009	0.90	0.90	360°	Left	Symmetric	3.5	Ø5,44x2,54 dpt.
S3824.AC1207	0.70	0.40	360°	Left	Asymmetric	3.5	Ø5,44x2,54 dpt.
S3824.AC1209	0.90	0.55	360°	Left	Asymmetric	3.5	Ø5,44x2,54 dpt.
S3824.AC1211	1.10	0.70	360°	Left	Asymmetric	3.5	Ø5,44x2,54 dpt.
S3824.AC1307	0.40	0.70	360°	Left	Asymmetric	3.5	Ø5,44x2,54 dpt.
S3824.AC1309	0.55	0.90	360°	Left	Asymmetric	3.5	Ø5,44x2,54 dpt.
S3824.AC1311	0.70	1.10	360°	Left	Asymmetric	3.5	Ø5,44x2,54 dpt.

Order No.	d ₃	h ₁	h ₂	h ₃	l ₁	l ₂	l ₃	l ₄	l ₅	w ₁	w ₂
S3824.AC0002	3.05	15	12	8	32	9	9	7	4	7	3
S3824.AC0005	3.05	15	12	8	32	9	9	7	4	7	3
S3824.AC0007	3.05	15	12	8	32	9	9	7	4	7	3
S3824.AC0009	3.05	15	12	8	32	9	9	7	4	7	3
S3824.AC0207	3.05	15	12	8	32	9	9	7	4	7	3
S3824.AC0209	3.05	15	12	8	32	9	9	7	4	7	3
S3824.AC0211	3.05	15	12	8	32	9	9	7	4	7	3



Friction Hinges

symmetric - asymmetric torque - 0,5-1,1 Nm. -



Order No.	d ₃	h ₁	h ₂	h ₃	l ₁	l ₂	l ₃	l ₄	l ₅	w ₁	w ₂
S3824.AC0307	3.05	15	12	8	32	9	9	7	4	7	3
S3824.AC0309	3.05	15	12	8	32	9	9	7	4	7	3
S3824.AC0311	3.05	15	12	8	32	9	9	7	4	7	3
S3824.AC1002	3.05	15	12	8	32	9	9	7	4	7	3
S3824.AC1005	3.05	15	12	8	32	9	9	7	4	7	3
S3824.AC1007	3.05	15	12	8	32	9	9	7	4	7	3
S3824.AC1009	3.05	15	12	8	32	9	9	7	4	7	3
S3824.AC1207	3.05	15	12	8	32	9	9	7	4	7	3
S3824.AC1209	3.05	15	12	8	32	9	9	7	4	7	3
S3824.AC1211	3.05	15	12	8	32	9	9	7	4	7	3
S3824.AC1307	3.05	15	12	8	32	9	9	7	4	7	3
S3824.AC1309	3.05	15	12	8	32	9	9	7	4	7	3
S3824.AC1311	3.05	15	12	8	32	9	9	7	4	7	3

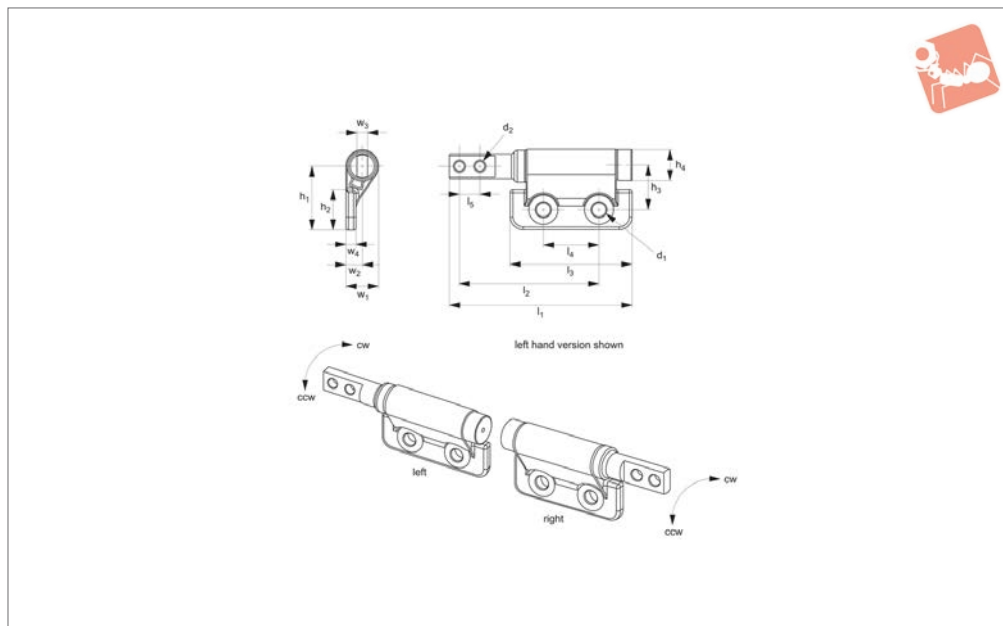


Friction Hinges

symmetric - asymmetric torque - 0,0-3,4 Nm. - plain



Hinges



S3830

HINGES

Material

Zinc alloy, steel, grease and o-ring with natural finish.

Technical Notes

Tested to 25,000 cycles with static torque value remaining within +/- 20%. Oil ring seals against environmental contamina-

tion.

Tips

Also available as black oxide finish, on request and subject to min. quantity.

Important Notes

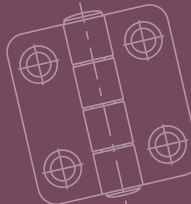
Symmetric hinges, offer same torque value

in both clockwise and counterclockwise directions. Asymmetric hinges, offer different torque value in clockwise and counterclockwise directions - see data table.

CW= clockwise.

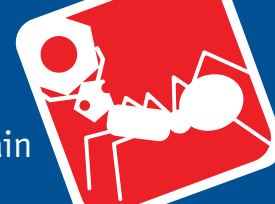
CCW= counterclockwise.

Order No.	Torque CW Nm	Torque CCW Nm	Shaft rotation	Hand	Torque type	d ₁	d ₂
S3830.AC0000	0.0	0.0	270°	Right	Symmetric	5	3.3
S3830.AC0009	0.9	0.9	270°	Right	Symmetric	5	3.3
S3830.AC0014	1.4	1.4	270°	Right	Symmetric	5	3.3
S3830.AC0018	1.8	1.8	270°	Right	Symmetric	5	3.3
S3830.AC0023	2.3	2.3	270°	Right	Symmetric	5	3.3
S3830.AC0027	2.7	2.7	270°	Right	Symmetric	5	3.3
S3830.AC0214	1.4	0.8	270°	Right	Asymmetric	5	3.3
S3830.AC0218	1.8	1.1	270°	Right	Asymmetric	5	3.3
S3830.AC0223	2.3	1.4	270°	Right	Asymmetric	5	3.3
S3830.AC0227	2.7	1.6	270°	Right	Asymmetric	5	3.3
S3830.AC0234	3.4	2.0	270°	Right	Asymmetric	5	3.3
S3830.AC0314	0.8	1.4	270°	Right	Asymmetric	5	3.3
S3830.AC0318	1.1	1.8	270°	Right	Asymmetric	5	3.3
S3830.AC0323	1.4	2.3	270°	Right	Asymmetric	5	3.3
S3830.AC0327	1.6	2.7	270°	Right	Asymmetric	5	3.3
S3830.AC0334	2.0	3.4	270°	Right	Asymmetric	5	3.3
S3830.AC1000	0.0	0.0	270°	Left	Symmetric	5	3.3
S3830.AC1009	0.9	0.9	270°	Left	Symmetric	5	3.3
S3830.AC1014	1.4	1.4	270°	Left	Symmetric	5	3.3
S3830.AC1018	1.8	1.8	270°	Left	Symmetric	5	3.3
S3830.AC1023	2.3	2.3	270°	Left	Symmetric	5	3.3
S3830.AC1027	2.7	2.7	270°	Left	Symmetric	5	3.3
S3830.AC1214	1.4	0.8	270°	Left	Asymmetric	5	3.3
S3830.AC1218	1.8	1.1	270°	Left	Asymmetric	5	3.3
S3830.AC1223	2.3	1.4	270°	Left	Asymmetric	5	3.3
S3830.AC1227	2.7	1.6	270°	Left	Asymmetric	5	3.3
S3830.AC1234	3.4	2.0	270°	Left	Asymmetric	5	3.3
S3830.AC1314	0.8	1.4	270°	Left	Asymmetric	5	3.3
S3830.AC1318	1.1	1.8	270°	Left	Asymmetric	5	3.3
S3830.AC1323	1.4	2.3	270°	Left	Asymmetric	5	3.3



Friction Hinges

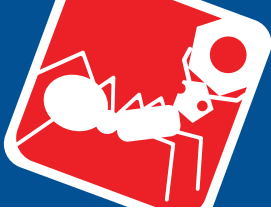
symmetric - asymmetric torque - 0,0-3,4 Nm. - plain



Order No.	Torque CW Nm	Torque CCW Nm	Shaft rotation	Hand	Torque type	d ₁	d ₂
S3830.AC1327	1.6	2.7	270°	Left	Asymmetric	5	3.3
S3830.AC1334	2.0	3.4	270°	Left	Asymmetric	5	3.3

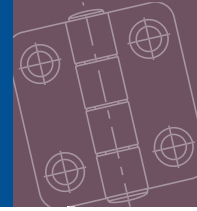
Order No.	h ₁	h ₂	h ₃	l ₁	l ₂	l ₃	l ₄	l ₅	w ₁	w ₂	w ₃	w ₄
S3830.AC0000	20	12.5	14	57.15	43.76	38	17.8	6.35	10	5	3.18	3
S3830.AC0009	20	12.5	14	57.15	43.76	38	17.8	6.35	10	5	3.18	3
S3830.AC0014	20	12.5	14	57.15	43.76	38	17.8	6.35	10	5	3.18	3
S3830.AC0018	20	12.5	14	57.15	43.76	38	17.8	6.35	10	5	3.18	3
S3830.AC0023	20	12.5	14	57.15	43.76	38	17.8	6.35	10	5	3.18	3
S3830.AC0027	20	12.5	14	57.15	43.76	38	17.8	6.35	10	5	3.18	3
S3830.AC0214	20	12.5	14	57.15	43.76	38	17.8	6.35	10	5	3.18	3
S3830.AC0218	20	12.5	14	57.15	43.76	38	17.8	6.35	10	5	3.18	3
S3830.AC0223	20	12.5	14	57.15	43.76	38	17.8	6.35	10	5	3.18	3
S3830.AC0227	20	12.5	14	57.15	43.76	38	17.8	6.35	10	5	3.18	3
S3830.AC0234	20	12.5	14	57.15	43.76	38	17.8	6.35	10	5	3.18	3
S3830.AC0314	20	12.5	14	57.15	43.76	38	17.8	6.35	10	5	3.18	3
S3830.AC0318	20	12.5	14	57.15	43.76	38	17.8	6.35	10	5	3.18	3
S3830.AC0323	20	12.5	14	57.15	43.76	38	17.8	6.35	10	5	3.18	3
S3830.AC0327	20	12.5	14	57.15	43.76	38	17.8	6.35	10	5	3.18	3
S3830.AC0334	20	12.5	14	57.15	43.76	38	17.8	6.35	10	5	3.18	3
S3830.AC1000	20	12.5	14	57.15	43.76	38	17.8	6.35	10	5	3.18	3
S3830.AC1009	20	12.5	14	57.15	43.76	38	17.8	6.35	10	5	3.18	3
S3830.AC1014	20	12.5	14	57.15	43.76	38	17.8	6.35	10	5	3.18	3
S3830.AC1018	20	12.5	14	57.15	43.76	38	17.8	6.35	10	5	3.18	3
S3830.AC1023	20	12.5	14	57.15	43.76	38	17.8	6.35	10	5	3.18	3
S3830.AC1027	20	12.5	14	57.15	43.76	38	17.8	6.35	10	5	3.18	3
S3830.AC1214	20	12.5	14	57.15	43.76	38	17.8	6.35	10	5	3.18	3
S3830.AC1218	20	12.5	14	57.15	43.76	38	17.8	6.35	10	5	3.18	3
S3830.AC1223	20	12.5	14	57.15	43.76	38	17.8	6.35	10	5	3.18	3
S3830.AC1227	20	12.5	14	57.15	43.76	38	17.8	6.35	10	5	3.18	3
S3830.AC1234	20	12.5	14	57.15	43.76	38	17.8	6.35	10	5	3.18	3
S3830.AC1314	20	12.5	14	57.15	43.76	38	17.8	6.35	10	5	3.18	3
S3830.AC1318	20	12.5	14	57.15	43.76	38	17.8	6.35	10	5	3.18	3
S3830.AC1323	20	12.5	14	57.15	43.76	38	17.8	6.35	10	5	3.18	3
S3830.AC1327	20	12.5	14	57.15	43.76	38	17.8	6.35	10	5	3.18	3
S3830.AC1334	20	12.5	14	57.15	43.76	38	17.8	6.35	10	5	v	3

HINGES

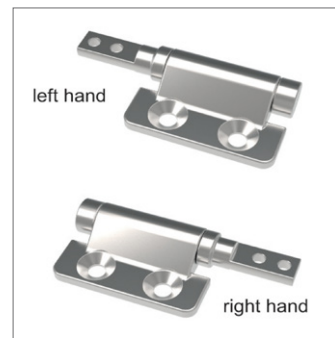
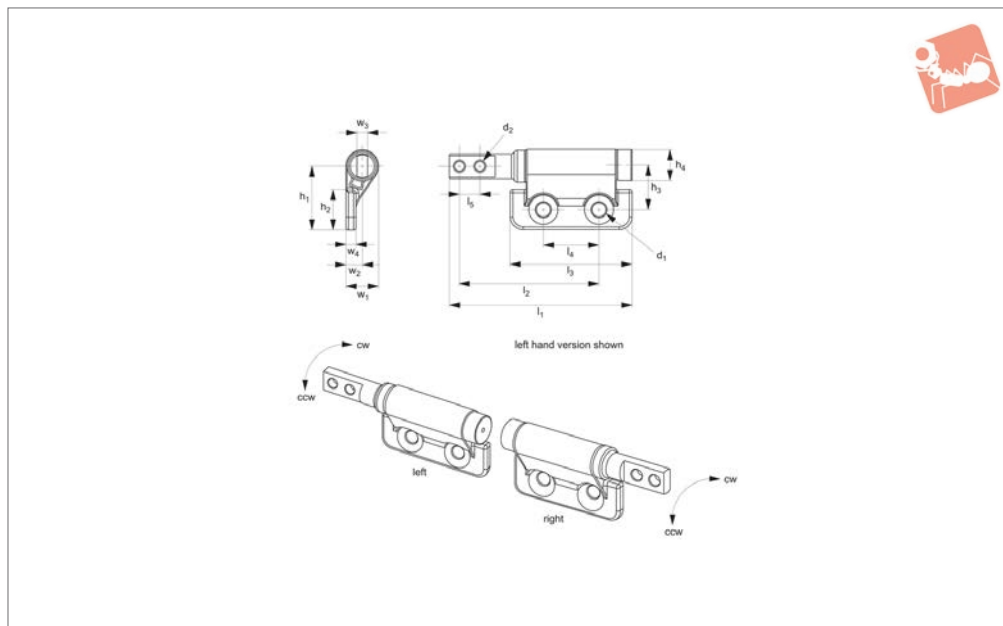


Friction Hinges

symmetric - asymmetric torque - 0,0-3,4 Nm. -



Hinges



S3834

HINGES

Material

Zinc alloy, steel, grease and o-ring with natural finish.

Technical Notes

Tested to 25,000 cycles with static torque value remaining within +/- 20%. 270° shaft rotation. Oil ring seals against envi-

ronmental contamination.

Tips

Also available as black oxide finish, on request and subject to min. quantity.

Important Notes

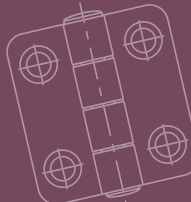
Symmetric hinges, offer same torque value

in both clockwise and counterclockwise directions. Asymmetric hinges, offer different torque value in clockwise and counterclockwise directions - see data table.

CW= clockwise.

CCW= counterclockwise.

Order No.	Torque CW Nm	Torque CCW Nm	Shaft rotation	Hand	Torque type	d ₁	d ₂
S3834.AC0000	0.0	0.0	270°	Right	Symmetric	4.5	3.3
S3834.AC0009	0.9	0.9	270°	Right	Symmetric	4.5	3.3
S3834.AC0014	1.4	1.4	270°	Right	Symmetric	4.5	3.3
S3834.AC0018	1.8	1.8	270°	Right	Symmetric	4.5	3.3
S3834.AC0023	2.3	2.3	270°	Right	Symmetric	4.5	3.3
S3834.AC0027	2.7	2.7	270°	Right	Symmetric	4.5	3.3
S3834.AC0214	1.4	0.8	270°	Right	Asymmetric	4.5	3.3
S3834.AC0218	1.8	1.1	270°	Right	Asymmetric	4.5	3.3
S3834.AC0223	2.3	1.4	270°	Right	Asymmetric	4.5	3.3
S3834.AC0227	2.7	1.6	270°	Right	Asymmetric	4.5	3.3
S3834.AC0234	3.4	2.0	270°	Right	Asymmetric	4.5	3.3
S3834.AC0314	0.8	1.4	270°	Right	Asymmetric	4.5	3.3
S3834.AC0318	1.1	1.8	270°	Right	Asymmetric	4.5	3.3
S3834.AC0323	1.4	2.3	270°	Right	Asymmetric	4.5	3.3
S3834.AC0327	1.6	2.7	270°	Right	Asymmetric	4.5	3.3
S3834.AC0334	2.0	3.4	270°	Right	Asymmetric	4.5	3.3
S3834.AC1000	0.0	0.0	270°	Left	Symmetric	4.5	3.3
S3834.AC1009	0.9	0.9	270°	Left	Symmetric	4.5	3.3
S3834.AC1014	1.4	1.4	270°	Left	Symmetric	4.5	3.3
S3834.AC1018	1.8	1.8	270°	Left	Symmetric	4.5	3.3
S3834.AC1023	2.3	2.3	270°	Left	Symmetric	4.5	3.3
S3834.AC1027	2.7	2.7	270°	Left	Symmetric	4.5	3.3
S3834.AC1214	1.4	0.8	270°	Left	Asymmetric	4.5	3.3
S3834.AC1218	1.8	1.1	270°	Left	Asymmetric	4.5	3.3
S3834.AC1223	2.3	1.4	270°	Left	Asymmetric	4.5	3.3
S3834.AC1227	2.7	1.6	270°	Left	Asymmetric	4.5	3.3
S3834.AC1234	3.4	2.0	270°	Left	Asymmetric	4.5	3.3
S3834.AC1314	0.8	1.4	270°	Left	Asymmetric	4.5	3.3
S3834.AC1318	1.1	1.8	270°	Left	Asymmetric	4.5	3.3
S3834.AC1323	1.4	2.3	270°	Left	Asymmetric	4.5	3.3



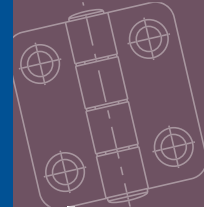
Order No.	Torque CW Nm	Torque CCW Nm	Shaft rotation	Hand	Torque type	d ₁	d ₂
S3834.AC1327	1.6	2.7	270°	Left	Asymmetric	4.5	3.3
S3834.AC1334	2.0	3.4	270°	Left	Asymmetric	4.5	3.3

Order No.	h ₁	h ₂	h ₃	l ₁	l ₂	l ₃	l ₄	l ₅	w ₁	w ₂	w ₃	w ₄
S3834.AC0000	20	12.5	14	57.15	43.76	38	17.8	6.35	10	5	3.18	3
S3834.AC0009	20	12.5	14	57.15	43.76	38	17.8	6.35	10	5	3.18	3
S3834.AC0014	20	12.5	14	57.15	43.76	38	17.8	6.35	10	5	3.18	3
S3834.AC0018	20	12.5	14	57.15	43.76	38	17.8	6.35	10	5	3.18	3
S3834.AC0023	20	12.5	14	57.15	43.76	38	17.8	6.35	10	5	3.18	3
S3834.AC0027	20	12.5	14	57.15	43.76	38	17.8	6.35	10	5	3.18	3
S3834.AC0214	20	12.5	14	57.15	43.76	38	17.8	6.35	10	5	3.18	3
S3834.AC0218	20	12.5	14	57.15	43.76	38	17.8	6.35	10	5	3.18	3
S3834.AC0223	20	12.5	14	57.15	43.76	38	17.8	6.35	10	5	3.18	3
S3834.AC0227	20	12.5	14	57.15	43.76	38	17.8	6.35	10	5	3.18	3
S3834.AC0234	20	12.5	14	57.15	43.76	38	17.8	6.35	10	5	3.18	3
S3834.AC0314	20	12.5	14	57.15	43.76	38	17.8	6.35	10	5	3.18	3
S3834.AC0318	20	12.5	14	57.15	43.76	38	17.8	6.35	10	5	3.18	3
S3834.AC0323	20	12.5	14	57.15	43.76	38	17.8	6.35	10	5	3.18	3
S3834.AC0327	20	12.5	14	57.15	43.76	38	17.8	6.35	10	5	3.18	3
S3834.AC0334	20	12.5	14	57.15	43.76	38	17.8	6.35	10	5	3.18	3
S3834.AC1000	20	12.5	14	57.15	43.76	38	17.8	6.35	10	5	3.18	3
S3834.AC1009	20	12.5	14	57.15	43.76	38	17.8	6.35	10	5	3.18	3
S3834.AC1014	20	12.5	14	57.15	43.76	38	17.8	6.35	10	5	3.18	3
S3834.AC1018	20	12.5	14	57.15	43.76	38	17.8	6.35	10	5	3.18	3
S3834.AC1023	20	12.5	14	57.15	43.76	38	17.8	6.35	10	5	3.18	3
S3834.AC1027	20	12.5	14	57.15	43.76	38	17.8	6.35	10	5	3.18	3
S3834.AC1214	20	12.5	14	57.15	43.76	38	17.8	6.35	10	5	3.18	3
S3834.AC1218	20	12.5	14	57.15	43.76	38	17.8	6.35	10	5	3.18	3
S3834.AC1223	20	12.5	14	57.15	43.76	38	17.8	6.35	10	5	3.18	3
S3834.AC1227	20	12.5	14	57.15	43.76	38	17.8	6.35	10	5	3.18	3
S3834.AC1234	20	12.5	14	57.15	43.76	38	17.8	6.35	10	5	3.18	3
S3834.AC1314	20	12.5	14	57.15	43.76	38	17.8	6.35	10	5	3.18	3
S3834.AC1318	20	12.5	14	57.15	43.76	38	17.8	6.35	10	5	3.18	3
S3834.AC1323	20	12.5	14	57.15	43.76	38	17.8	6.35	10	5	3.18	3
S3834.AC1327	20	12.5	14	57.15	43.76	38	17.8	6.35	10	5	3.18	3
S3834.AC1334	20	12.5	14	57.15	43.76	38	17.8	6.35	10	5	3.18	3

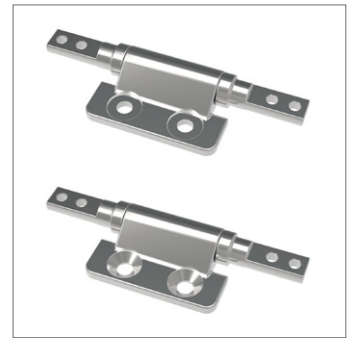
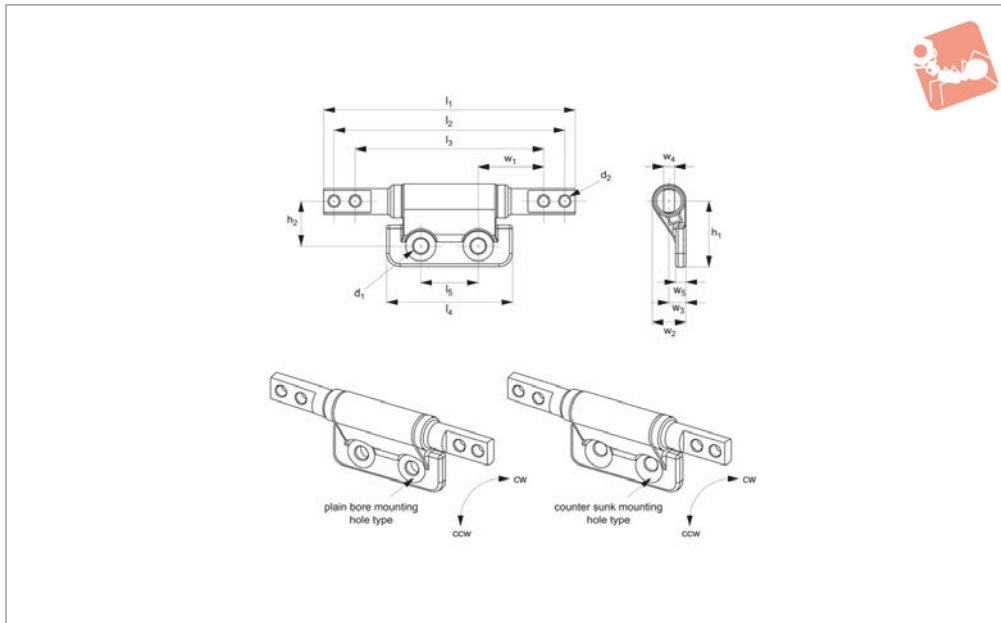


Friction Hinges

symmetric - asymmetric torque - 0,0-3,4 Nm. -



Hinges



S3840

HINGES

Material

Zinc alloy, steel, grease and o-ring with natural finish.

Technical Notes

Tested to 25,000 cycles with static torque value remaining within +/- 20%. Oil ring seals against environmental contamina-

tion.

Tips

Also available as black oxide finish, on request and subject to min. quantity.

Important Notes

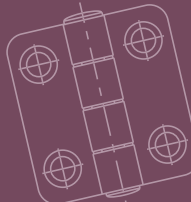
Symmetric hinges, offer same torque value

in both clockwise and counterclockwise directions. Asymmetric hinges, offer different torque value in clockwise and counterclockwise directions - see data table.

CW= clockwise.

CCW= counterclockwise.

Order No.	Torque CW Nm	Torque CCW Nm	Shaft rotation	Mounting hole	Counter sunk Torque Type
S3840.AC0000	0.0	0.0	270°	Plain	Symmetric
S3840.AC0009	0.9	0.9	270°	Plain	Symmetric
S3840.AC0014	1.4	1.4	270°	Plain	Symmetric
S3840.AC0018	1.8	1.8	270°	Plain	Symmetric
S3840.AC0023	2.3	2.3	270°	Plain	Symmetric
S3840.AC0027	2.7	2.7	270°	Plain	Symmetric
S3840.AC0214	1.4	0.8	270°	Plain	Asymmetric
S3840.AC0218	1.8	1.1	270°	Plain	Asymmetric
S3840.AC0223	2.3	1.4	270°	Plain	Asymmetric
S3840.AC0227	2.7	1.6	270°	Plain	Asymmetric
S3840.AC0234	3.4	2.0	270°	Plain	Asymmetric
S3840.AC0314	0.8	1.4	270°	Plain	Asymmetric
S3840.AC0318	1.1	1.8	270°	Plain	Asymmetric
S3840.AC0323	1.4	2.3	270°	Plain	Asymmetric
S3840.AC0327	1.6	2.7	270°	Plain	Asymmetric
S3840.AC0334	2.0	3.4	270°	C'sunk	Asymmetric
S3840.AC1000	0.0	0.0	270°	C'sunk	Symmetric
S3840.AC1009	0.9	0.9	270°	C'sunk	Symmetric
S3840.AC1014	1.4	1.4	270°	C'sunk	Symmetric
S3840.AC1018	1.8	1.8	270°	C'sunk	Symmetric
S3840.AC1023	2.3	2.3	270°	C'sunk	Symmetric
S3840.AC1027	2.7	2.7	270°	C'sunk	Symmetric
S3840.AC1214	1.4	0.8	270°	C'sunk	Symmetric
S3840.AC1218	1.8	1.1	270°	C'sunk	Symmetric
S3840.AC1223	2.3	1.4	270°	C'sunk	Symmetric
S3840.AC1227	2.7	1.6	270°	C'sunk	Symmetric
S3840.AC1234	3.4	2.0	270°	C'sunk	Asymmetric
S3840.AC1314	0.8	1.4	270°	C'sunk	Asymmetric
S3840.AC1318	1.1	1.8	270°	C'sunk	Asymmetric
S3840.AC1323	1.4	2.3	270°	C'sunk	Asymmetric



Order No.	Torque CW Nm	Torque CCW Nm	Shaft rotation	Mounting hole	Counter sunk Torque Type
S3840.AC1327	1.6	2.7	270°	C'sunk	Asymmetric
S3840.AC1334	2.0	3.4	270°	C'sunk	Asymmetric

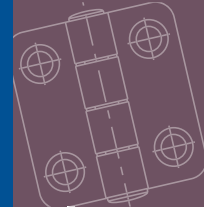
HINGES

Order No.	d ₁	d ₂	h ₁	h ₂	l ₁	l ₂	l ₃	l ₄	l ₅	w ₁	w ₂	w ₃	w ₄	w ₅
S3840.AC0000	4.5	3.3	20	14	76.29	69.72	57.02	38	17.8	19.6	10	5	3	3
S3840.AC0009	4.5	3.3	20	14	76.29	69.72	57.02	38	17.8	19.6	10	5	3	3
S3840.AC0014	4.5	3.3	20	14	76.29	69.72	57.02	38	17.8	19.6	10	5	3	3
S3840.AC0018	4.5	3.3	20	14	76.29	69.72	57.02	38	17.8	19.6	10	5	3	3
S3840.AC0023	4.5	3.3	20	14	76.29	69.72	57.02	38	17.8	19.6	10	5	3	3
S3840.AC0027	4.5	3.3	20	14	76.29	69.72	57.02	38	17.8	19.6	10	5	3	3
S3840.AC0214	4.5	3.3	20	14	76.29	69.72	57.02	38	17.8	19.6	10	5	3	3
S3840.AC0218	4.5	3.3	20	14	76.29	69.72	57.02	38	17.8	19.6	10	5	3	3
S3840.AC0223	4.5	3.3	20	14	76.29	69.72	57.02	38	17.8	19.6	10	5	3	3
S3840.AC0227	4.5	3.3	20	14	76.29	69.72	57.02	38	17.8	19.6	10	5	3	3
S3840.AC0234	4.5	3.3	20	14	76.29	69.72	57.02	38	17.8	19.6	10	5	3	3
S3840.AC0314	4.5	3.3	20	14	76.29	69.72	57.02	38	17.8	19.6	10	5	3	3
S3840.AC0318	4.5	3.3	20	14	76.29	69.72	57.02	38	17.8	19.6	10	5	3	3
S3840.AC0323	4.5	3.3	20	14	76.29	69.72	57.02	38	17.8	19.6	10	5	3	3
S3840.AC0327	4.5	3.3	20	14	76.29	69.72	57.02	38	17.8	19.6	10	5	3	3
S3840.AC0334	4.5	3.3	20	14	76.29	69.72	57.02	38	17.8	19.6	10	5	3	3
S3840.AC1000	4.5	3.3	20	14	76.29	69.72	57.02	38	17.8	19.6	10	5	3	3
S3840.AC1009	4.5	3.3	20	14	76.29	69.72	57.02	38	17.8	19.6	10	5	3	3
S3840.AC1014	4.5	3.3	20	14	76.29	69.72	57.02	38	17.8	19.6	10	5	3	3
S3840.AC1018	4.5	3.3	20	14	76.29	69.72	57.02	38	17.8	19.6	10	5	3	3
S3840.AC1023	4.5	3.3	20	14	76.29	69.72	57.02	38	17.8	19.6	10	5	3	3
S3840.AC1027	4.5	3.3	20	14	76.29	69.72	57.02	38	17.8	19.6	10	5	3	3
S3840.AC1214	4.5	3.3	20	14	76.29	69.72	57.02	38	17.8	19.6	10	5	3	3
S3840.AC1218	4.5	3.3	20	14	76.29	69.72	57.02	38	17.8	19.6	10	5	3	3
S3840.AC1223	4.5	3.3	20	14	76.29	69.72	57.02	38	17.8	19.6	10	5	3	3
S3840.AC1227	4.5	3.3	20	14	76.29	69.72	57.02	38	17.8	19.6	10	5	3	3
S3840.AC1234	4.5	3.3	20	14	76.29	69.72	57.02	38	17.8	19.6	10	5	3	3
S3840.AC1314	4.5	3.3	20	14	76.29	69.72	57.02	38	17.8	19.6	10	5	3	3
S3840.AC1318	4.5	3.3	20	14	76.29	69.72	57.02	38	17.8	19.6	10	5	3	3
S3840.AC1323	4.5	3.3	20	14	76.29	69.72	57.02	38	17.8	19.6	10	5	3	3
S3840.AC1327	4.5	3.3	20	14	76.29	69.72	57.02	38	17.8	19.6	10	5	3	3
S3840.AC1334	4.5	3.3	20	14	76.29	69.72	57.02	38	17.8	19.6	10	5	3	3

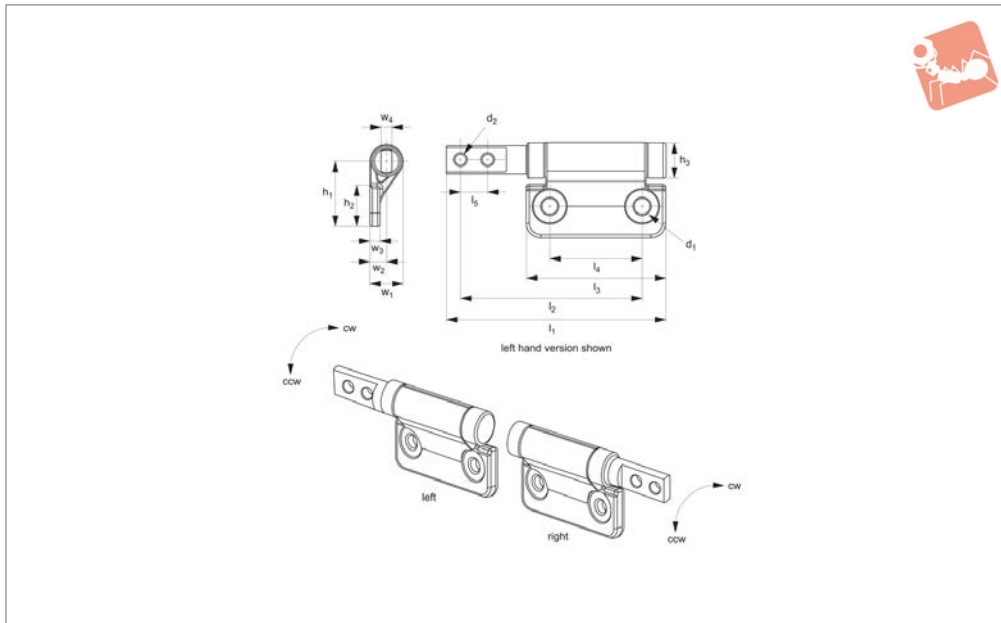


Friction Hinges

symmetric - asymmetric torque - 0,0-4,5 Nm. - plain



Hinges



S3844

HINGES

Material

Steel and zinc with natural finish.

Technical Notes

Tested to 25,000 cycles with static torque value remaining within +/- 20%. Oil ring seals against environmental contamination.

Tips

Also available as black oxide finish, on request and subject to min. quantity.

Important Notes

Symmetric hinges, offer same torque value in both clockwise and counterclockwise directions. Asymmetric hinges, offer diffe-

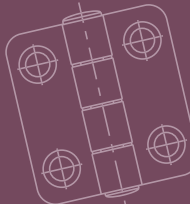
rent torque value in clockwise and counterclockwise directions - see data table.

CW= clockwise.

CCW= counterclockwise.

Order No.	Torque CW Nm	Torque CCW Nm	Shaft rotation	Hand	Torque type	d ₁	d ₂
S3844.AC0000	0.0	0.0	270°	Right	Symmetric	5.2	4.5
S3844.AC0009	0.9	0.9	270°	Right	Symmetric	5.2	4.5
S3844.AC0018	1.8	1.8	270°	Right	Symmetric	5.2	4.5
S3844.AC0023	2.3	2.3	270°	Right	Symmetric	5.2	4.5
S3844.AC0034	3.4	3.4	270°	Right	Symmetric	5.2	4.5
S3844.AC0223	2.3	1.4	270°	Right	Asymmetric	5.2	4.5
S3844.AC0234	3.4	2.0	270°	Right	Asymmetric	5.2	4.5
S3844.AC0245	4.5	2.7	270°	Right	Asymmetric	5.2	4.5
S3844.AC0323	1.4	2.3	270°	Right	Asymmetric	5.2	4.5
S3844.AC0334	2.0	3.4	270°	Right	Asymmetric	5.2	4.5
S3844.AC0345	2.7	4.5	270°	Right	Asymmetric	5.2	4.5
S3844.AC1000	0.0	0.0	270°	Left	Symmetric	5.2	4.5
S3844.AC1009	0.9	0.9	270°	Left	Symmetric	5.2	4.5
S3844.AC1018	1.8	1.8	270°	Left	Symmetric	5.2	4.5
S3844.AC1023	2.3	2.3	270°	Left	Symmetric	5.2	4.5
S3844.AC1034	3.4	3.4	270°	Left	Symmetric	5.2	4.5
S3844.AC1223	2.3	1.4	270°	Left	Asymmetric	5.2	4.5
S3844.AC1234	3.4	2.0	270°	Left	Asymmetric	5.2	4.5
S3844.AC1245	4.5	2.7	270°	Left	Asymmetric	5.2	4.5
S3844.AC1323	1.4	2.3	270°	Left	Asymmetric	5.2	4.5
S3844.AC1334	2.0	3.4	270°	Left	Asymmetric	5.2	4.5
S3844.AC1345	2.7	4.5	270°	Left	-	5.2	4.5

Order No.	h ₁	h ₂	h ₃	l ₁	l ₂	l ₃	l ₄	l ₅	w ₁	w ₂	w ₃	w ₄
S3844.AC0000	25.58	19.5	12.7	80.8	67.4	50.8	34	10	12.7	6.35	4.5	4
S3844.AC0009	25.58	19.5	12.7	80.8	67.4	50.8	34	10	12.7	6.35	4.5	4
S3844.AC0018	25.58	19.5	12.7	80.8	67.4	50.8	34	10	12.7	6.35	4.5	4
S3844.AC0023	25.58	19.5	12.7	80.8	67.4	50.8	34	10	12.7	6.35	4.5	4
S3844.AC0034	25.58	19.5	12.7	80.8	67.4	50.8	34	10	12.7	6.35	4.5	4
S3844.AC0223	25.58	19.5	12.7	80.8	67.4	50.8	34	10	12.7	6.35	4.5	4



Friction Hinges

symmetric - asymmetric torque - 0,0-4,5 Nm. - plain



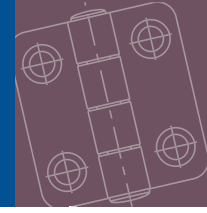
HINGES

Order No.	h ₁	h ₂	h ₃	l ₁	l ₂	l ₃	l ₄	l ₅	w ₁	w ₂	w ₃	w ₄
S3844.AC0234	25.58	19.5	12.7	80.8	67.4	50.8	34	10	12.7	6.35	4.5	4
S3844.AC0245	25.58	19.5	12.7	80.8	67.4	50.8	34	10	12.7	6.35	4.5	4
S3844.AC0323	25.58	19.5	12.7	80.8	67.4	50.8	34	10	12.7	6.35	4.5	4
S3844.AC0334	25.58	19.5	12.7	80.8	67.4	50.8	34	10	12.7	6.35	4.5	4
S3844.AC0345	25.58	19.5	12.7	80.8	67.4	50.8	34	10	12.7	6.35	4.5	4
S3844.AC1000	25.58	19.5	12.7	80.8	67.4	50.8	34	10	12.7	6.35	4.5	4
S3844.AC1009	25.58	19.5	12.7	80.8	67.4	50.8	34	10	12.7	6.35	4.5	4
S3844.AC1018	25.58	19.5	12.7	80.8	67.4	50.8	34	10	12.7	6.35	4.5	4
S3844.AC1023	25.58	19.5	12.7	80.8	67.4	50.8	34	10	12.7	6.35	4.5	4
S3844.AC1034	25.58	19.5	12.7	80.8	67.4	50.8	34	10	12.7	6.35	4.5	4
S3844.AC1223	25.58	19.5	12.7	80.8	67.4	50.8	34	10	12.7	6.35	4.5	4
S3844.AC1234	25.58	19.5	12.7	80.8	67.4	50.8	34	10	12.7	6.35	4.5	4
S3844.AC1245	25.58	19.5	12.7	80.8	67.4	50.8	34	10	12.7	6.35	4.5	4
S3844.AC1323	25.58	19.5	12.7	80.8	67.4	50.8	34	10	12.7	6.35	4.5	4
S3844.AC1334	25.58	19.5	12.7	80.8	67.4	50.8	34	10	12.7	6.35	4.5	4
S3844.AC1345	25.58	19.5	12.7	80.8	67.4	50.8	34	10	12.7	6.35	4.5	4

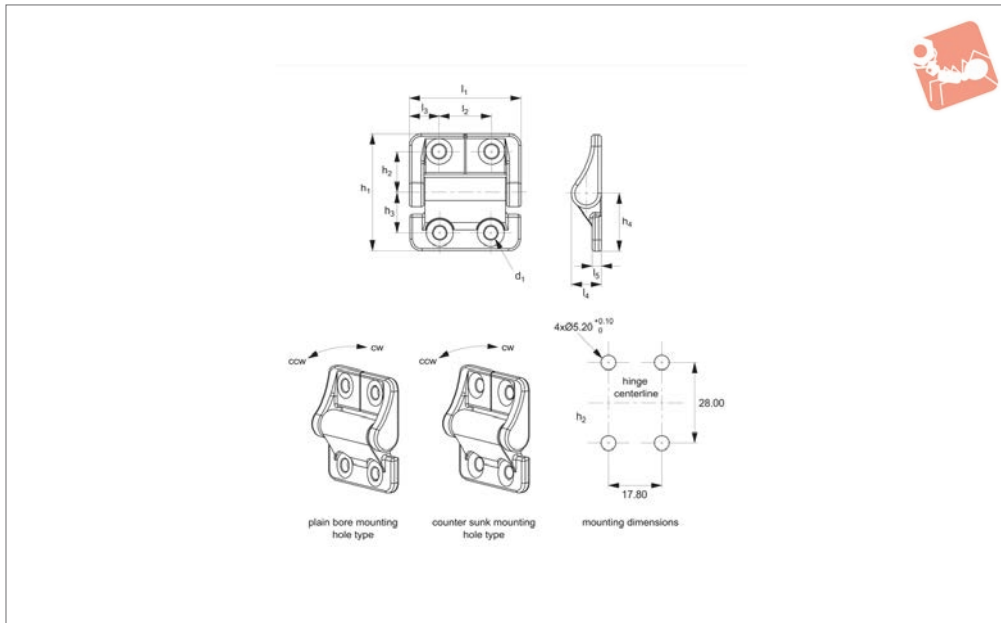


Friction Hinges - Natural - Symmetric

asymmetric torque - countersunk & plain bore



Hinges



S3850

HINGES

Material

Zinc alloy, steel, grease and o-ring with natural finish.

Technical Notes

Tested to 25,000 cycles with static torque value remaining within +/- 20%. Oil ring seals against environmental contamination.

Tips

For mounting and installation information refer to technical diagram.

Also available as black paint finish, see part S5852.

Important Notes

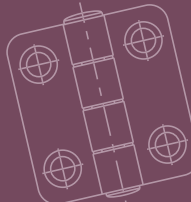
Symmetric hinges, offer same torque value in both clockwise and counterclockwise

directions. Asymmetric hinges, offer different torque value in clockwise and counterclockwise directions - see data table.

CW= clockwise.

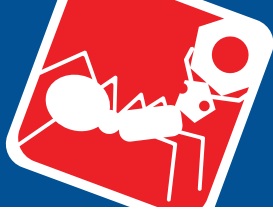
CCW= counterclockwise.

Order No.	Torque CW Nm	Torque CCW Nm	Shaft rotation	Mounting hole	Torque type	d ₁	h ₁
S3850.AC0000	0.0	0.0	270°	Plain	Symmetric	4.5	40
S3850.AC0009	0.9	0.9	270°	Plain	Symmetric	4.5	40
S3850.AC0014	1.4	1.4	270°	Plain	Symmetric	4.5	40
S3850.AC0018	1.8	1.8	270°	Plain	Symmetric	4.5	40
S3850.AC0023	2.3	2.3	270°	Plain	Symmetric	4.5	40
S3850.AC0027	2.7	2.7	270°	Plain	Symmetric	4.5	40
S3850.AC0214	1.4	0.8	270°	Plain	Asymmetric	4.5	40
S3850.AC0218	1.8	1.1	270°	Plain	Asymmetric	4.5	40
S3850.AC0223	2.3	1.4	270°	Plain	Asymmetric	4.5	40
S3850.AC0227	2.7	1.6	270°	Plain	Asymmetric	4.5	40
S3850.AC0234	3.4	2.0	270°	Plain	Asymmetric	4.5	40
S3850.AC0314	0.8	1.4	270°	Plain	Asymmetric	4.5	40
S3850.AC0318	1.1	1.8	270°	Plain	Asymmetric	4.5	40
S3850.AC0323	1.4	2.3	270°	Plain	Asymmetric	4.5	40
S3850.AC0327	1.6	2.7	270°	Plain	Asymmetric	4.5	40
S3850.AC0334	2.0	3.4	270°	Plain	Asymmetric	4.5	40
S3850.AC1000	0.0	0.0	270°	C'sunk	Symmetric	4.5	40
S3850.AC1009	0.9	0.9	270°	C'sunk	Symmetric	4.5	40
S3850.AC1014	1.4	1.4	270°	C'sunk	Symmetric	4.5	40
S3850.AC1018	1.8	1.8	270°	C'sunk	Symmetric	4.5	40
S3850.AC1023	2.3	2.3	270°	C'sunk	Symmetric	4.5	40
S3850.AC1027	2.7	2.7	270°	C'sunk	Symmetric	4.5	40
S3850.AC1214	1.4	0.8	270°	C'sunk	Asymmetric	4.5	40
S3850.AC1218	1.8	1.1	270°	C'sunk	Asymmetric	4.5	40
S3850.AC1223	2.3	1.4	270°	C'sunk	Asymmetric	4.5	40
S3850.AC1227	2.7	1.6	270°	C'sunk	Asymmetric	4.5	40
S3850.AC1234	3.4	2.0	270°	C'sunk	Asymmetric	4.5	40
S3850.AC1314	0.8	1.4	270°	C'sunk	Asymmetric	4.5	40
S3850.AC1318	1.1	1.8	270°	C'sunk	Asymmetric	4.5	40



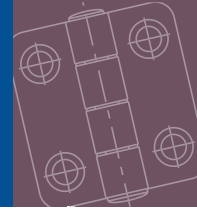
Order No.	Torque CW Nm	Torque CCW Nm	Shaft rotation	Mounting hole	Torque type	d ₁	h ₁
S3850.AC1323	1.4	2.3	270°	C'sunk	Asymmetric	4.5	40
S3850.AC1327	1.6	2.7	270°	C'sunk	Asymmetric	4.5	40
S3850.AC1334	2.0	3.4	270°	C'sunk	Asymmetric	4.5	40

Order No.	h ₂	h ₃	h ₄	l ₁	l ₂	l ₃	l ₄	l ₅
S3850.AC0000	14	14	20	38	17.8	10.1	10	3
S3850.AC0009	14	14	20	38	17.8	10.1	10	3
S3850.AC0014	14	14	20	38	17.8	10.1	10	3
S3850.AC0018	14	14	20	38	17.8	10.1	10	3
S3850.AC0023	14	14	20	38	17.8	10.1	10	3
S3850.AC0027	14	14	20	38	17.8	10.1	10	3
S3850.AC0214	14	14	20	38	17.8	10.1	10	3
S3850.AC0218	14	14	20	38	17.8	10.1	10	3
S3850.AC0223	14	14	20	38	17.8	10.1	10	3
S3850.AC0227	14	14	20	38	17.8	10.1	10	3
S3850.AC0234	14	14	20	38	17.8	10.1	10	3
S3850.AC0314	14	14	20	38	17.8	10.1	10	3
S3850.AC0318	14	14	20	38	17.8	10.1	10	3
S3850.AC0323	14	14	20	38	17.8	10.1	10	3
S3850.AC0327	14	14	20	38	17.8	10.1	10	3
S3850.AC0334	14	14	20	38	17.8	10.1	10	3
S3850.AC1000	14	14	20	38	17.8	10.1	10	3
S3850.AC1009	14	14	20	38	17.8	10.1	10	3
S3850.AC1014	14	14	20	38	17.8	10.1	10	3
S3850.AC1018	14	14	20	38	17.8	10.1	10	3
S3850.AC1023	14	14	20	38	17.8	10.1	10	3
S3850.AC1027	14	14	20	38	17.8	10.1	10	3
S3850.AC1214	14	14	20	38	17.8	10.1	10	3
S3850.AC1218	14	14	20	38	17.8	10.1	10	3
S3850.AC1223	14	14	20	38	17.8	10.1	10	3
S3850.AC1227	14	14	20	38	17.8	10.1	10	3
S3850.AC1234	14	14	20	38	17.8	10.1	10	3
S3850.AC1314	14	14	20	38	17.8	10.1	10	3
S3850.AC1318	14	14	20	38	17.8	10.1	10	3
S3850.AC1323	14	14	20	38	17.8	10.1	10	3
S3850.AC1327	14	14	20	38	17.8	10.1	10	3
S3850.AC1334	14	14	20	38	17.8	10.1	10	3

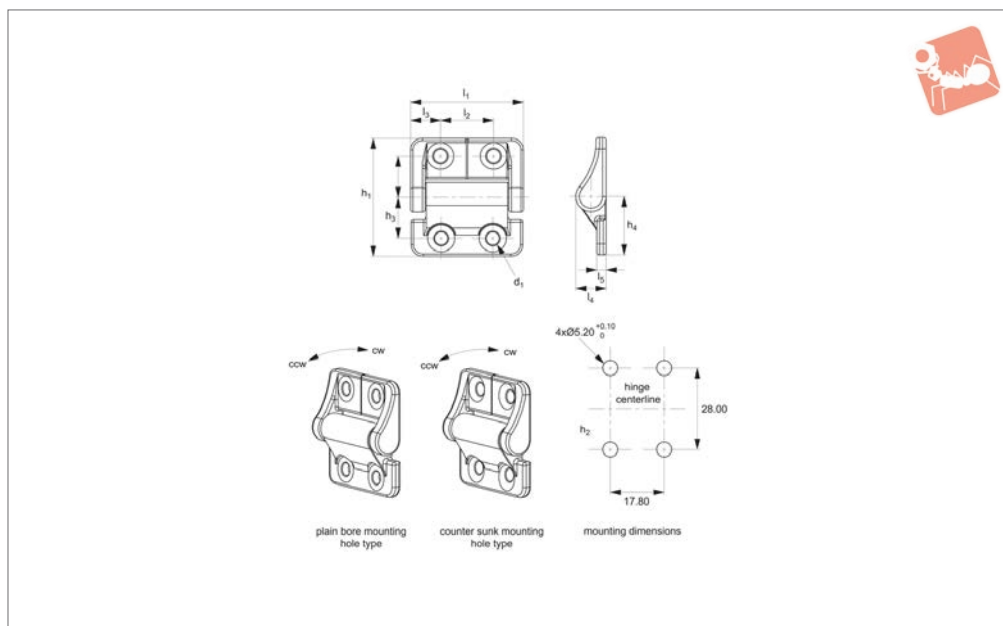


Friction Hinges - Black

symmetric - asymmetric torque - 0,0-3,5 Nm. -



Hinges



S3852

HINGES

Material

Zinc alloy, steel, grease and o-ring with black paint finish.

Technical Notes

Tested to 25,000 cycles with static torque value remaining within +/- 20%. Oil ring seals against environmental contamina-

tion.

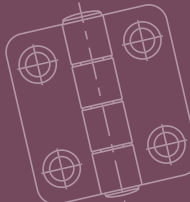
Tips

For mounting and installation information refer to technical diagram. Also available as natural finish see part S3850.

Important Notes

Symmetric hinges, offer same torque value in both clockwise and counterclockwise directions. Asymmetric hinges, offer different torque value in clockwise and counterclockwise directions - see data table. CW= clockwise.

Order No.	Torque CW Nm	Torque CCW Nm	Shaft rotation	Mounting hole	Torque type
S3852.AC0000	0.0	0.0	270°	Plain	Symmetric
S3852.AC0009	0.9	0.9	270°	Plain	Symmetric
S3852.AC0014	1.4	1.4	270°	Plain	Symmetric
S3852.AC0018	1.8	1.8	270°	Plain	Symmetric
S3852.AC0023	2.3	2.3	270°	Plain	Symmetric
S3852.AC0027	2.7	2.7	270°	Plain	Symmetric
S3852.AC0214	1.4	0.8	270°	Plain	Asymmetric
S3852.AC0218	1.8	1.1	270°	Plain	Asymmetric
S3852.AC0223	2.3	1.4	270°	Plain	Asymmetric
S3852.AC0227	2.7	1.6	270°	Plain	Asymmetric
S3852.AC0234	3.4	2.0	270°	Plain	Asymmetric
S3852.AC0314	0.8	1.4	270°	Plain	Asymmetric
S3852.AC0318	1.1	1.8	270°	Plain	Asymmetric
S3852.AC0323	1.4	2.3	270°	Plain	Asymmetric
S3852.AC0327	1.6	2.7	270°	Plain	Asymmetric
S3852.AC0334	2.0	3.4	270°	Plain	Asymmetric
S3852.AC1000	0.0	0.0	270°	C'sunk	Symmetric
S3852.AC1009	0.9	0.9	270°	C'sunk	Symmetric
S3852.AC1014	1.4	1.4	270°	C'sunk	Symmetric
S3852.AC1018	1.8	1.8	270°	C'sunk	Symmetric
S3852.AC1023	2.3	2.3	270°	C'sunk	Symmetric
S3852.AC1027	2.7	2.7	270°	C'sunk	Symmetric
S3852.AC1214	1.4	0.8	270°	C'sunk	Asymmetric
S3852.AC1218	1.8	1.1	270°	C'sunk	Asymmetric
S3852.AC1223	2.3	1.4	270°	C'sunk	Asymmetric
S3852.AC1227	2.7	1.6	270°	C'sunk	Asymmetric
S3852.AC1234	3.4	2.0	270°	C'sunk	Asymmetric
S3852.AC1314	0.8	1.4	270°	C'sunk	Asymmetric
S3852.AC1318	1.1	1.8	270°	C'sunk	Asymmetric
S3852.AC1323	1.4	2.3	270°	C'sunk	Asymmetric



Order No.	Torque CW Nm	Torque CCW Nm	Shaft rotation	Mounting hole	Torque type
S3852.AC1327	1.6	2.7	270°	C'sunk	Asymmetric
S3852.AC1334	2.0	3.4	270°	C'sunk	Asymmetric

HINGES

Order No.	d ₁	h ₁	h ₂	h ₃	h ₄	l ₁	l ₂	l ₃	l ₄	l ₅
S3852.AC0000	4.5	40	14	14	20	38	17.8	10.1	10	3
S3852.AC0009	4.5	40	14	14	20	38	17.8	10.1	10	3
S3852.AC0014	4.5	40	14	14	20	38	17.8	10.1	10	3
S3852.AC0018	4.5	40	14	14	20	38	17.8	10.1	10	3
S3852.AC0023	4.5	40	14	14	20	38	17.8	10.1	10	3
S3852.AC0027	4.5	40	14	14	20	38	17.8	10.1	10	3
S3852.AC0214	4.5	40	14	14	20	38	17.8	10.1	10	3
S3852.AC0218	4.5	40	14	14	20	38	17.8	10.1	10	3
S3852.AC0223	4.5	40	14	14	20	38	17.8	10.1	10	3
S3852.AC0227	4.5	40	14	14	20	38	17.8	10.1	10	3
S3852.AC0234	4.5	40	14	14	20	38	17.8	10.1	10	3
S3852.AC0314	4.5	40	14	14	20	38	17.8	10.1	10	3
S3852.AC0318	4.5	40	14	14	20	38	17.8	10.1	10	3
S3852.AC0323	4.5	40	14	14	20	38	17.8	10.1	10	3
S3852.AC0327	4.5	40	14	14	20	38	17.8	10.1	10	3
S3852.AC0334	4.5	40	14	14	20	38	17.8	10.1	10	3
S3852.AC1000	4.5	40	14	14	20	38	17.8	10.1	10	3
S3852.AC1009	4.5	40	14	14	20	38	17.8	10.1	10	3
S3852.AC1014	4.5	40	14	14	20	38	17.8	10.1	10	3
S3852.AC1018	4.5	40	14	14	20	38	17.8	10.1	10	3
S3852.AC1023	4.5	40	14	14	20	38	17.8	10.1	10	3
S3852.AC1027	4.5	40	14	14	20	38	17.8	10.1	10	3
S3852.AC1214	4.5	40	14	14	20	38	17.8	10.1	10	3
S3852.AC1218	4.5	40	14	14	20	38	17.8	10.1	10	3
S3852.AC1223	4.5	40	14	14	20	38	17.8	10.1	10	3
S3852.AC1227	4.5	40	14	14	20	38	17.8	10.1	10	3
S3852.AC1234	4.5	40	14	14	20	38	17.8	10.1	10	3
S3852.AC1314	4.5	40	14	14	20	38	17.8	10.1	10	3
S3852.AC1318	4.5	40	14	14	20	38	17.8	10.1	10	3
S3852.AC1323	4.5	40	14	14	20	38	17.8	10.1	10	3
S3852.AC1327	4.5	40	14	14	20	38	17.8	10.1	10	3
S3852.AC1334	4.5	40	14	14	20	38	17.8	10.1	10	3

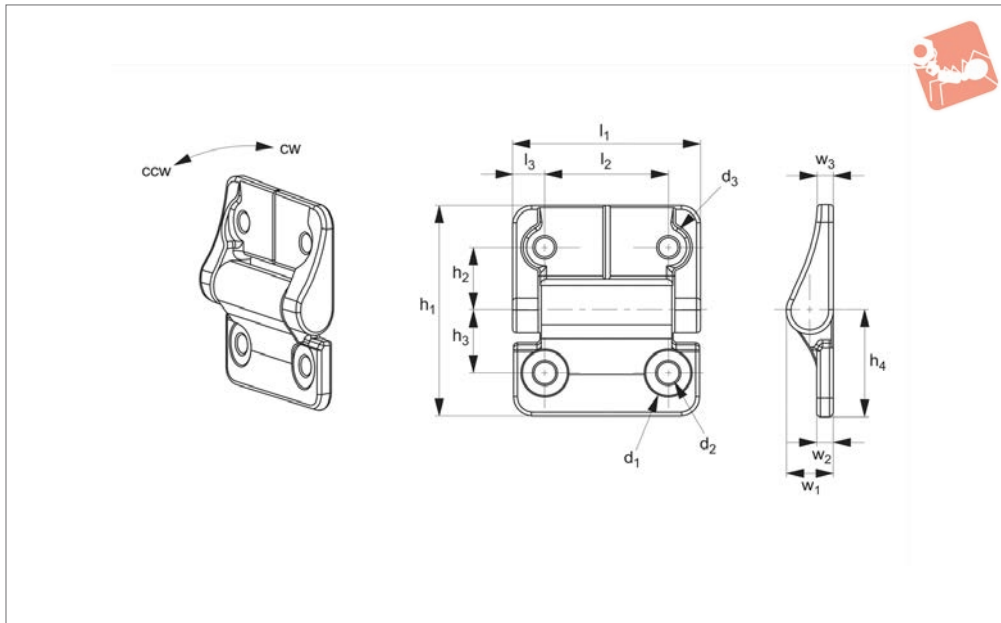


Friction Hinges - Natural & Black

symmetric - asymmetric torque



Hinges



S3854

HINGES

Material

Steel and zinc with natural or black oxide finish.

Technical Notes

Tested to 25,000 cycles with static torque value remaining within +/- 20%. Oil ring

seals against environmental contamination.

Important Notes

Symmetric hinges, offer same torque value in both clockwise and counterclockwise directions. Asymmetric hinges, offer diffe-

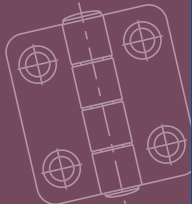
rent torque value in clockwise and counterclockwise directions - see data table.

CW= clockwise.

CCW= counterclockwise.

Order No.	Torque CW Nm	Torque CCW Nm	Shaft rotation	Finish	Torque type	d ₁	d ₂	d ₃
S3854.AC0000	0.0	0.0	270°	Natural	Symmetric	Ø12x0,7 dept.	5.2	10
S3854.AC0009	0.9	0.9	270°	Natural	Symmetric	Ø12x0,7 dept.	5.2	10
S3854.AC0018	1.8	1.8	270°	Natural	Symmetric	Ø12x0,7 dept.	5.2	10
S3854.AC0023	2.3	2.3	270°	Natural	Symmetric	Ø12x0,7 dept.	5.2	10
S3854.AC0034	3.4	3.4	270°	Natural	Symmetric	Ø12x0,7 dept.	5.2	10
S3854.AC0223	2.3	1.4	270°	Natural	Asymmetric	Ø12x0,7 dept.	5.2	10
S3854.AC0234	3.4	2.0	270°	Natural	Asymmetric	Ø12x0,7 dept.	5.2	10
S3854.AC0327	4.5	2.7	270°	Natural	Asymmetric	Ø12x0,7 dept.	5.2	10
S3854.AC0323	1.4	2.3	270°	Natural	Asymmetric	Ø12x0,7 dept.	5.2	10
S3854.AC0334	2.0	3.4	270°	Natural	Asymmetric	Ø12x0,7 dept.	5.2	10
S3854.AC0345	2.7	4.5	270°	Natural	Asymmetric	Ø12x0,7 dept.	5.2	10
S3854.AC1000	0.0	0.0	270°	Black paint	Symmetric	Ø12x0,7 dept.	5.2	10
S3854.AC1009	0.9	0.9	270°	Black paint	Symmetric	Ø12x0,7 dept.	5.2	10
S3854.AC1018	1.8	1.8	270°	Black paint	Symmetric	Ø12x0,7 dept.	5.2	10
S3854.AC1023	2.3	2.3	270°	Black paint	Symmetric	Ø12x0,7 dept.	5.2	10
S3854.AC1034	3.4	3.4	270°	Black paint	Symmetric	Ø12x0,7 dept.	5.2	10
S3854.AC1223	2.3	1.4	270°	Black paint	Asymmetric	Ø12x0,7 dept.	5.2	10
S3854.AC1234	3.4	2.0	270°	Black paint	Asymmetric	Ø12x0,7 dept.	5.2	10
S3854.AC1327	4.5	2.7	270°	Black paint	Asymmetric	Ø12x0,7 dept.	5.2	10
S3854.AC1323	1.4	2.3	270°	Black paint	Asymmetric	Ø12x0,7 dept.	5.2	10
S3854.AC1334	2.0	3.4	270°	Black paint	Asymmetric	Ø12x0,7 dept.	5.2	10
S3854.AC1345	2.7	4.5	270°	Black paint	Asymmetric	Ø12x0,7 dept.	5.2	10

Order No.	h ₁	h ₂	h ₃	h ₄	l ₁	l ₂	l ₃	w ₁	w ₂	w ₃
S3854.AC0000	57.15	17	17	28.58	50.8	34	8.4	12.8	4.5	3.81
S3854.AC0009	57.15	17	17	28.58	50.8	34	8.4	12.8	4.5	3.81
S3854.AC0018	57.15	17	17	28.58	50.8	34	8.4	12.8	4.5	3.81
S3854.AC0023	57.15	17	17	28.58	50.8	34	8.4	12.8	4.5	3.81
S3854.AC0034	57.15	17	17	28.58	50.8	34	8.4	12.8	4.5	3.81
S3854.AC0223	57.15	17	17	28.58	50.8	34	8.4	12.8	4.5	3.81
S3854.AC0234	57.15	17	17	28.58	50.8	34	8.4	12.8	4.5	3.81

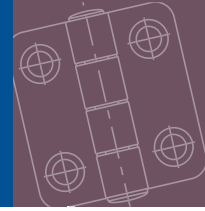


Order No.	h_1	h_2	h_3	h_4	l_1	l_2	l_3	w_1	w_2	w_3
S3854.AC0327	57.15	17	17	28.58	50.8	34	8.4	12.8	4.5	3.81
S3854.AC0323	57.15	17	17	28.58	50.8	34	8.4	12.8	4.5	3.81
S3854.AC0334	57.15	17	17	28.58	50.8	34	8.4	12.8	4.5	3.81
S3854.AC0345	57.15	17	17	28.58	50.8	34	8.4	12.8	4.5	3.81
S3854.AC1000	57.15	17	17	28.58	50.8	34	8.4	12.8	4.5	3.81
S3854.AC1009	57.15	17	17	28.58	50.8	34	8.4	12.8	4.5	3.81
S3854.AC1018	57.15	17	17	28.58	50.8	34	8.4	12.8	4.5	3.81
S3854.AC1023	57.15	17	17	28.58	50.8	34	8.4	12.8	4.5	3.81
S3854.AC1034	57.15	17	17	28.58	50.8	34	8.4	12.8	4.5	3.81
S3854.AC1223	57.15	17	17	28.58	50.8	34	8.4	12.8	4.5	3.81
S3854.AC1234	57.15	17	17	28.58	50.8	34	8.4	12.8	4.5	3.81
S3854.AC1327	57.15	17	17	28.58	50.8	34	8.4	12.8	4.5	3.81
S3854.AC1323	57.15	17	17	28.58	50.8	34	8.4	12.8	4.5	3.81
S3854.AC1334	57.15	17	17	28.58	50.8	34	8.4	12.8	4.5	3.81
S3854.AC1345	57.15	17	17	28.58	50.8	34	8.4	12.8	4.5	3.81

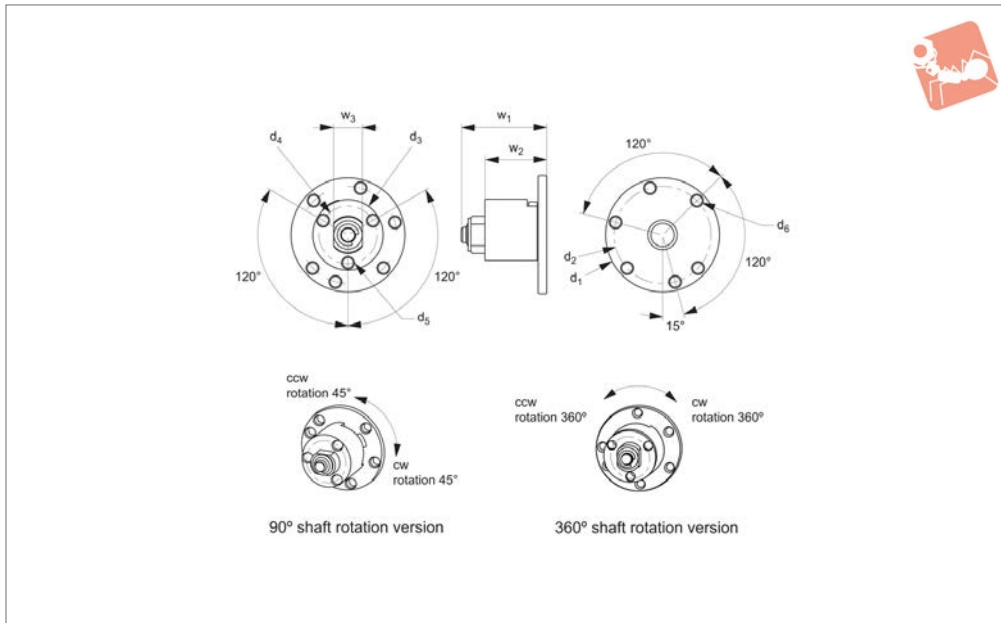


Friction Hinges

symmetric torque - 2,5-5,0 Nm.



Hinges



S3870

HINGES

Material

Steel with nickel plating finish.

value remaining within +/- 25%.

CW= clockwise.

CCW= counterclockwise.

Technical Notes













Tested to 10,000 cycles with static torque

Important Notes

Symmetric, offer same torque value in both clockwise and counterclockwise directions.










Order No.	Torque Nm	Shaft rotation	Torque type	d ₁	d ₂	d ₃	d ₄	d ₅	d ₆	w ₁	w ₂	w ₃ thru
S3870.AC0025	2.5	90°	Symmetric	32.1	27	20	16	M 3x0,50	M 3x0,50	23.7	17	8
S3870.AC0030	3.0	90°	Symmetric	32.1	27	20	16	M 3x0,50	M 3x0,50	23.7	17	8
S3870.AC0040	4.0	90°	Symmetric	32.1	27	20	16	M 3x0,50	M 3x0,50	23.7	17	8
S3870.AC0050	5.0	90°	Symmetric	32.1	27	20	16	M 3x0,50	M 3x0,50	23.7	17	8
S3870.AC0125	2.5	360°	Symmetric	32.1	27	20	16	M 3x0,50	M 3x0,50	23.7	17	8
S3870.AC0130	3.0	360°	Symmetric	32.1	27	20	16	M 3x0,50	M 3x0,50	23.7	17	8
S3870.AC0140	4.0	360°	Symmetric	32.1	27	20	16	M 3x0,50	M 3x0,50	23.7	17	8
S3870.AC0150	5.0	360°	Symmetric	32.1	27	20	16	M 3x0,50	M 3x0,50	23.7	17	8



Table of constant torque ranges					Torque Nm													
Part no.	Torque type	Shaft Rotation	Torque Nm															
 S3810	Symmetric	360°	0,05 to 3,80	[Bar chart showing torque range from 0.05 to 3.80 Nm]														
 S3820	Symmetric/Asymmetric	360°	0,2 to 1,1	[Bar chart showing torque range from 0.2 to 1.1 Nm]														
 S3824	Symmetric/Asymmetric	360°	0,2 to 1,1	[Bar chart showing torque range from 0.2 to 1.1 Nm]														
 S3830	Symmetric/Asymmetric	270°	0,9 to 3,4	[Bar chart showing torque range from 0.9 to 3.4 Nm]														
 S3834	Symmetric/Asymmetric	270°	0,9 to 3,4	[Bar chart showing torque range from 0.9 to 3.4 Nm]														
 S3840	Symmetric/Asymmetric	270°	0,9 to 3,4	[Bar chart showing torque range from 0.9 to 3.4 Nm]														
 S3844	Symmetric/Asymmetric	270°	0,9 to 4,5	[Bar chart showing torque range from 0.9 to 4.5 Nm]														
 S3850	Symmetric/Asymmetric	270°	0,9 to 3,4	[Bar chart showing torque range from 0.9 to 3.4 Nm]														
 S3852	Symmetric/Asymmetric	270°	0,9 to 3,4	[Bar chart showing torque range from 0.9 to 3.4 Nm]														
 S3854	Symmetric/Asymmetric	270°	0,9 to 4,5	[Bar chart showing torque range from 0.9 to 4.5 Nm]														
 S3860	Symmetric	270°	3,5 to 7,0	[Bar chart showing torque range from 3.5 to 7.0 Nm]														
 S3870	Symmetric	90° and 360°	2,5 to 5,0	[Bar chart showing torque range from 2.5 to 5.0 Nm]														

Constant Torque Hinges S4000-S4032

Operating Principle
Wixroyd Constant Torque Hinges rely only on mechanical friction to achieve a stable torque. A range of different friction hinges are available to best suit your application.

Table of constant torque ranges				Torque Kgf.cm															
Part no.	Torque Kgf.cm																		
 S4000	5 - 57.5	[Bar chart showing torque range from 5 to 57.5 Kgf.cm]																	
 S4002	8	[Bar chart showing torque range from 8 to 8 Kgf.cm]																	
 S4006	3.5 - 15.3	[Bar chart showing torque range from 3.5 to 15.3 Kgf.cm]																	
 S4010	15 - 30	[Bar chart showing torque range from 15 to 30 Kgf.cm]																	
 S4016	25 - 70	[Bar chart showing torque range from 25 to 70 Kgf.cm]																	
 S4020	20 - 45.8	[Bar chart showing torque range from 20 to 45.8 Kgf.cm]																	
 S4022	20 - 45.8	[Bar chart showing torque range from 20 to 45.8 Kgf.cm]																	
 S4030	Tilting: 30.5 Swivelling: 15	[Bar chart showing torque range for tilting and swivelling]																	
 S4032	Tilting: 71.5 Swivelling: 30.5	[Bar chart showing torque range for tilting and swivelling]																	