

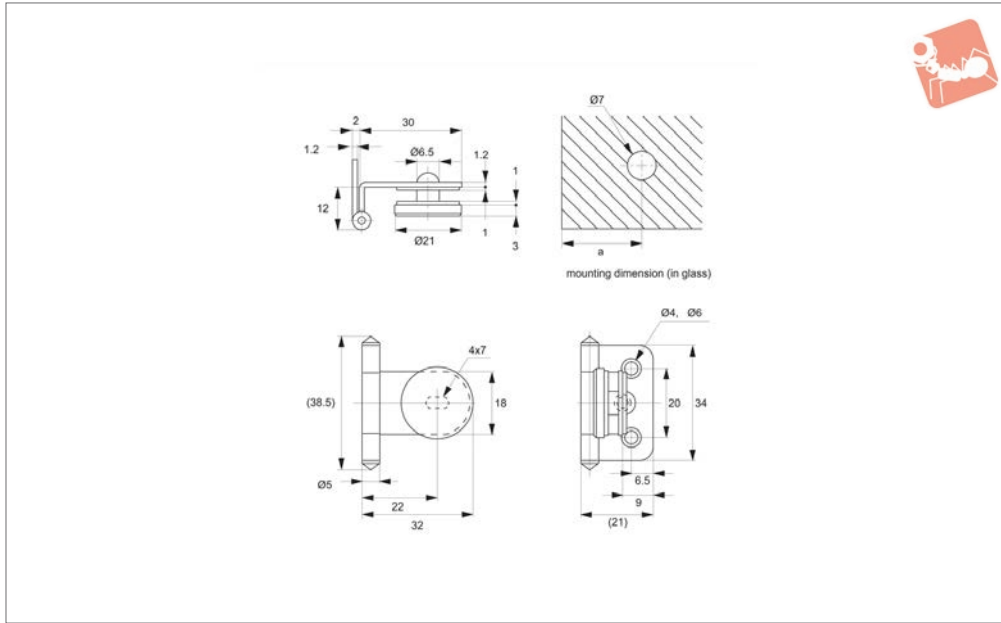


Glass Door Hinges - Inset Type

stainless steel



Hinges



T2000

HINGES

Material

Hinge: stainless steel, AISI 304, polished.
Cover: aluminium, alumite.

Technical Notes

For door thickness 4 to 6mm. For installation dimensions see table below.
a = distance of mounting holes from glass

edge, to ensure smooth door opening.

Please note, you will need to drill holes in the glass in order to fit these hinges.

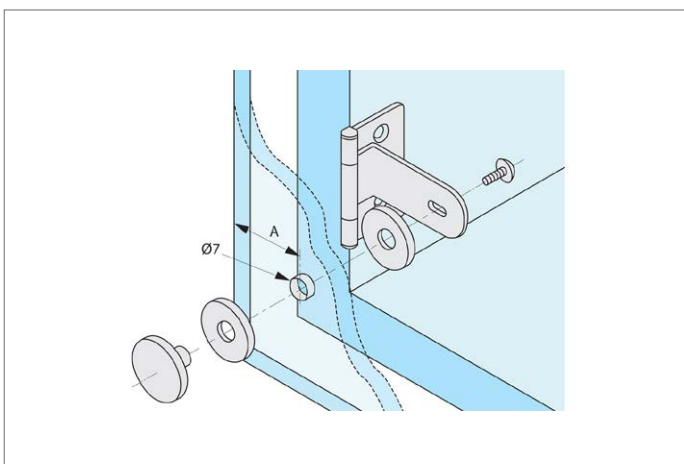
Tips

Screws are not included.

Important Notes

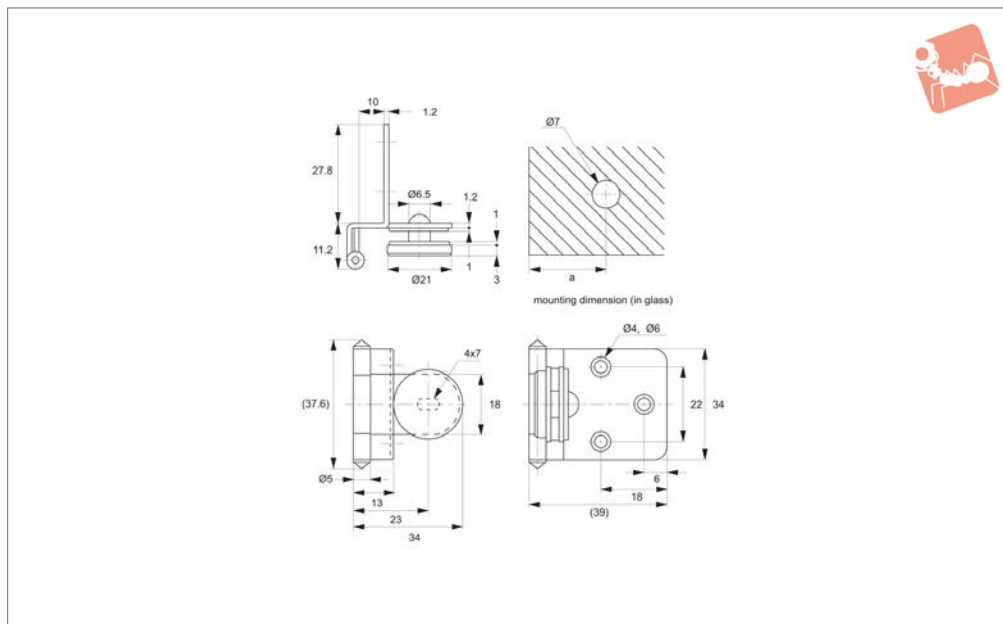
For glass thickness:
4mm; a = 19
5mm; a = 18
6mm; a = 17

Order No.	Glass thickness mm	Load capacity 2 hinges kg	Weight g
T2000.AC0010	4 to 6	4	15





T2020



Material

Hinge: stainless steel, AISI 304, polished.
Cover: aluminium, alumite.

Technical Notes

For door thickness 4 to 6mm. For installation dimensions see table below.

a = distance of mounting holes from glass edge, to ensure smooth door opening.
Please note, you will need to drill holes in the glass in order to fit these hinges.

Tips

Screws are not included.

Important Notes

For glass thickness:
4mm; a = 19, overlay = 8
5mm; a = 18, overlay = 7
6mm; a = 17, overlay = 7

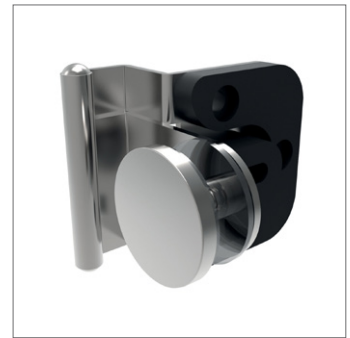
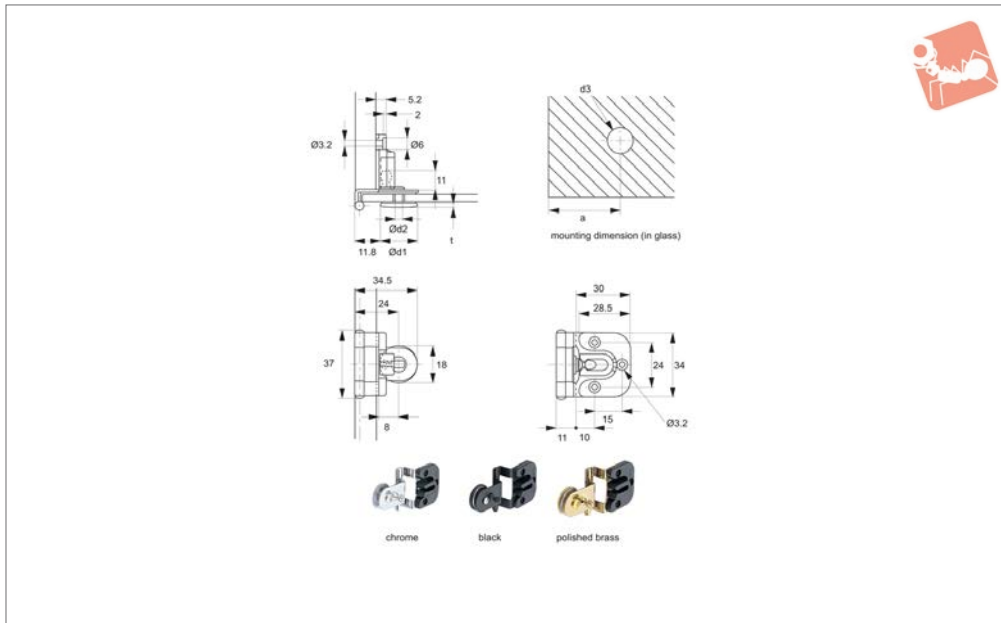
Order No.	Glass thickness mm	Load capacity 2 hinges kg	Weight g
T2020.AC0010	4 to 6	4	21



Glass Door Hinges - Half Overlay Type with catch



Hinges



T2040

HINGES

Material

Hinge: steel or stainless steel, AISI 304, with ABS plastic body. Refer to table for plating finish.

Technical Notes

For door thickness 4 to 6mm.
Max. door size - 450w x 700h x 5mm thick.
Max. door weight - 4Kg per hinge pair.

For installation dimensions see table below.

a = distance of mounting holes from glass edge, to ensure smooth door opening.
Plastic body of hinge forms a mechanical catch to hold door in closed position.
Please note, you will need to drill holes in the glass in order to fit these hinges.

Tips

Screws are not included.

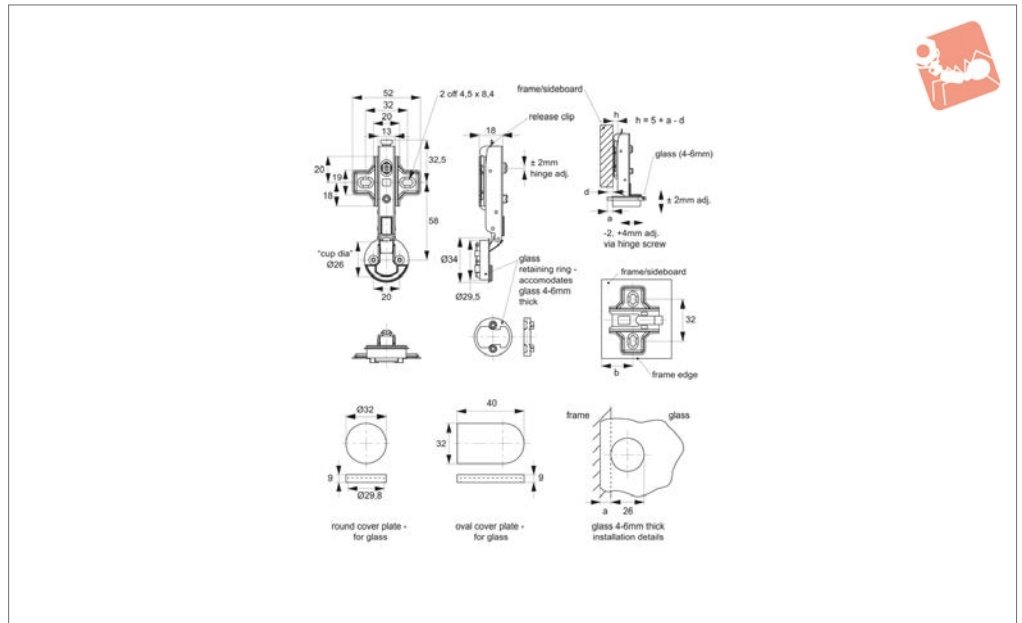
Important Notes

For glass thickness:
4mm; a = 19, overlay = 8
5mm; a = 18, overlay = 7
6mm; a = 18, overlay = 6

Order No.	Glass thickness mm	Finish	Load capacity 2 hinges kg	Body type	d ₁	d ₂	d ₃	t	Screw	Weight g
T2040.AC0020	4 to 6	Chrome	4	Steel	20	6.5	7.0	2	M 3,5 x 6	36
T2040.AC0030	4 to 6	Brass	4	Steel	20	6.5	7.0	2	M 3,5 x 6	36
T2040.AC0040	4 to 6	Black	4	Stainless	21	8.0	8.5	3	M 3,0 x 6	32



T2104



Material

Hinge arm: steel, zinc plated, with plastic glass retaining ring.

Hinge mounting plate: steel, zinc plated.

Cover plate for glass: ABS plastic, metal coated.

Cover plate for hinge arm and mounting plate: ABC plastic, chrome plated.

Supplied (per hinge): - 1 x hinge arm. 1 x mounting plate (self-tap screw fixing). 1 x

mounting plate (euro screw fixing). 1 x cover plate for glass (round). 1 x cover plate for glass (oval). 1 x cover plate for arm hinge and mounting plate. 2 x wood screw (4 x 16). 2 x euro screw (6.3 x 16).

Technical Notes

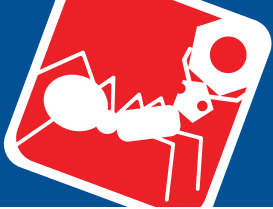
Supplied as single hinge. incorporated into the hinge is a hydraulic based „soft close“ device to assist in

controlled closing of door.

Installation notes:

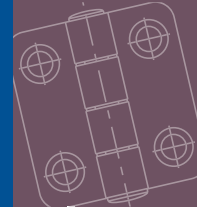
Hinge-on-plate mounting system; plate easily fastened to wooden frame using self-tapping screw (supplied). Requires 26 mm dia. cut out glass for mounting of hinge to glass door - please see installation diagram for details. Hinge is „clip-on“, quick mount/dismount to the mounting plate.

Order No.	Glass thickness mm	Finish	Size
T2104.AW0010	4 to 6	Chrome	25
T2104.AW0020	4 to 6	Gold	25

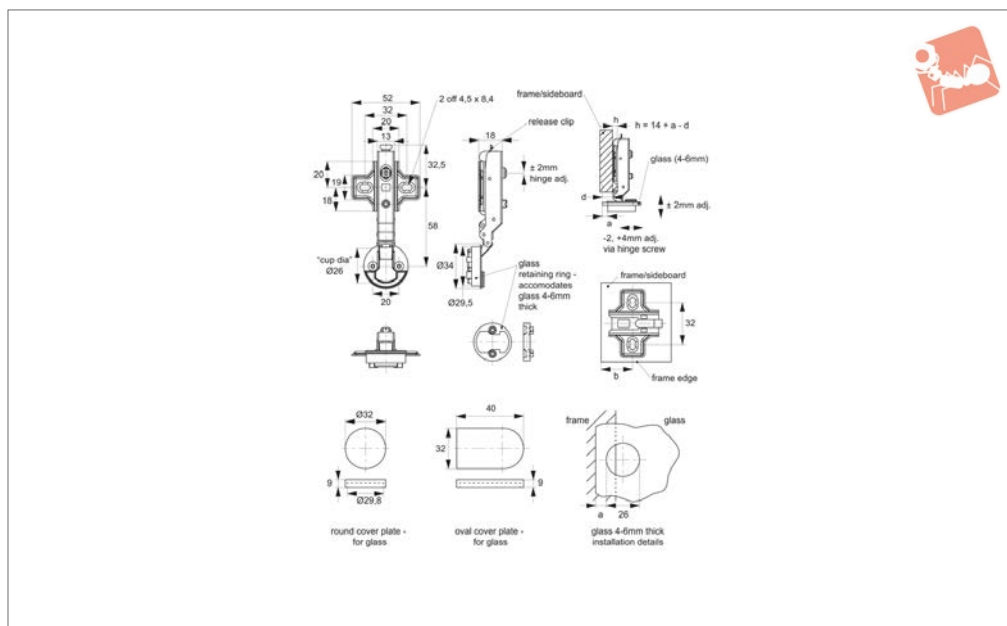


Glass Door Hinges - Size 26

overlay type - 110° opening - soft close



Hinges



T2106

HINGES

Material

- Hinge arm: steel, zinc plate, with plastic glass retaining ring.
- Hinge mounting plate: steel, zinc plated.
- Cover plate for glass: ABS plastic, metal coated.
- Cover plate for hinge arm and mounting plate: ABC plastic, chrome plated.
- Supplied (per hinge): - 1 x hinge arm. 1 x mounting plate (self-tap screw fixing). 1 x

- mounting plate (euro screw fixing). 1 x cover plate for glass (round). 1 x cover plate for glass (oval). 1 x cover plate for arm hinge and mounting plate. 2 x wood screw (4 x 16). 2 x euro screw (6.3 x 16).

Technical Notes

- Supplied as single hinge.
- Incorporated into the hinge is a hydraulic based „soft close“ device to assist in

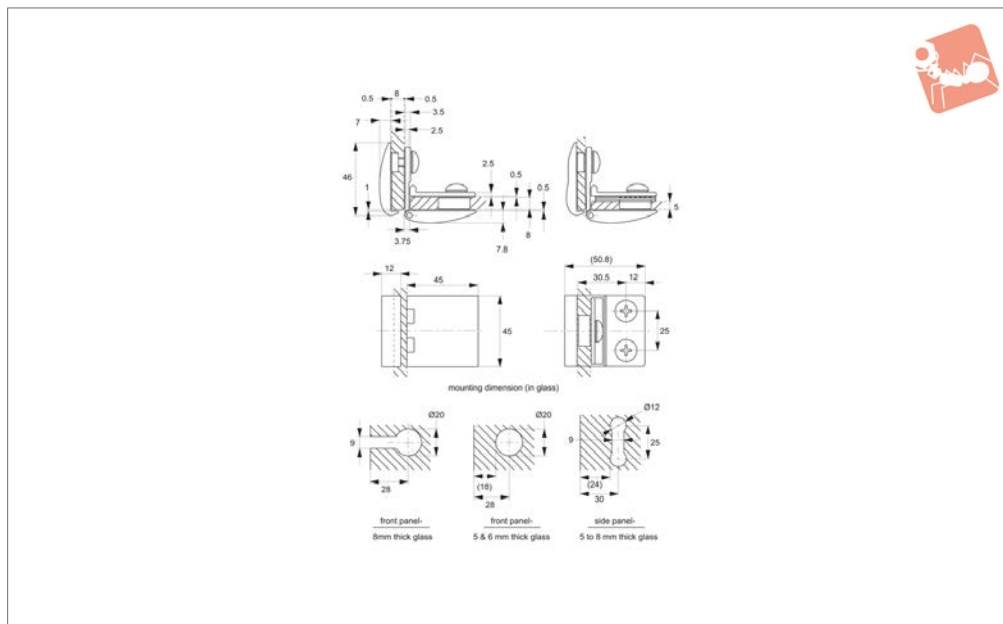
controlled closing of door.

- Installation notes:
- Hinge-on-plate mounting system; plate easily fastened to wooden frame using self-tapping screws or eurp screw (supplied).
- Requires 26 mm dia. cut-out glass for mounting of hinge to glass door - please see installation diagram for details. Hinge is „clip-on“, quick mount/dismount to the mounting plate.

Order No.	Glass thickness mm	Finish	Size
T2106.AW0010	4 to 6	Chrome	25
T2106.AW0020	4 to 6	Gold	25



T2200



Material

Hinge body: brass, in nickel, chrome or gold finish.

Glass adj. roller: polyamide, black.

Bushes & spacers: rubber, black.

Technical Notes

For door thickness 5 to 8mm. Horizontally

adjustable by 2,5mm.

Max. door size-
600w x 700h x 8mm thick

Max. door weight-
15Kg per hinge pair.

Please note, you will need to drill holes in the glass in order to fit these hinges.

Important Notes

Spacers are supplied to accommodate different glass door thicknesses;

5mm glass use 3 spacers

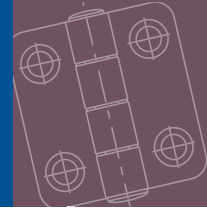
6mm glass use 2 spacers

8mm glass no spacers required.

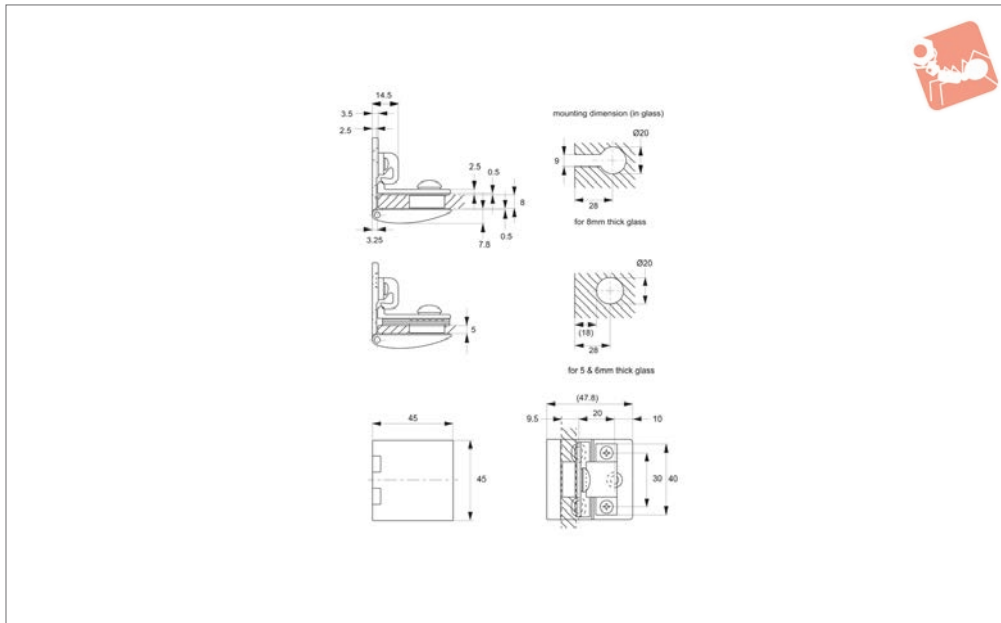
Order No.	Glass thickness mm	Finish	Load capacity 2 hinges kg
T2200.AC0010	5 to 8	Satin Nickel	15
T2200.AC0020	5 to 8	Chrome	15
T2200.AC0030	5 to 8	Gold	15



Glass Door Hinges - Inset Type with catch



Hinges



T2220

HINGES

Material

Hinge body: brass, in nickel, chrome or gold finish.
Glass adj. roller: polyamide, black.
Bushes & spacers: rubber, black.

Technical Notes

For door thickness 5 to 8mm. Horizontally adjustable by 2,5mm, vertical adjustment

2mm.

Max. door size-
600w x 700h x 8 mm thick

Max. door weight-
15Kg per hinge pair.

Plastic body of hinge forms a mechanical catch to hold panel/door in closed position.

Please note, you will need to drill holes in the glass in order to fit these hinges.

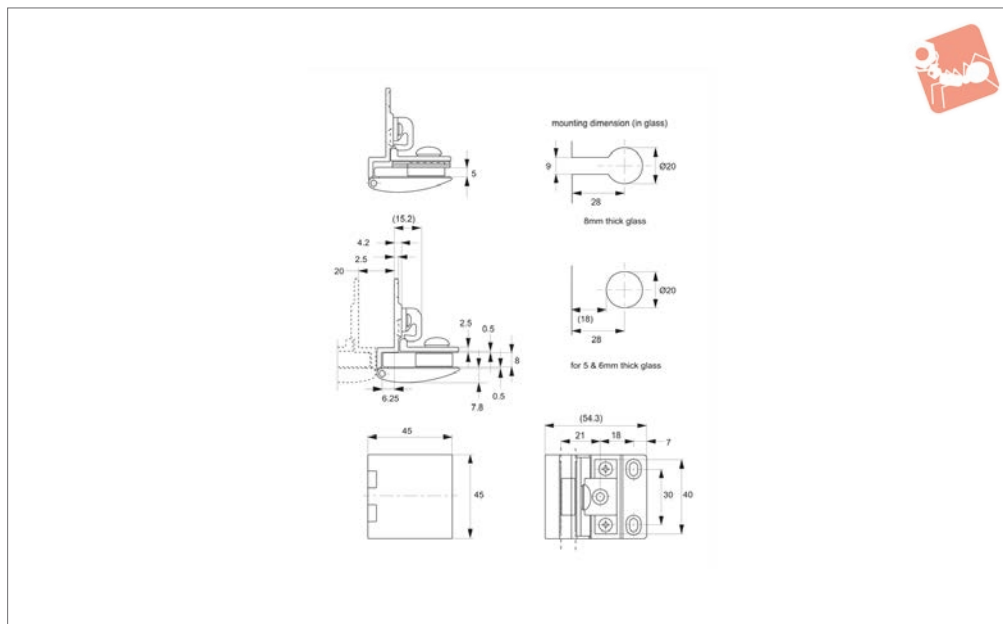
Important Notes

Spacers are supplied to accommodate different glass door thicknesses;
5mm glass use 3 spacers
6mm glass use 2 spacers
8mm glass no spacers required.

Order No.	Glass thickness mm	Finish	Load capacity 2 hinges kg
T2220.AC0010	5 to 8	Satin Nickel	15
T2220.AC0020	5 to 8	Chrome	15
T2220.AC0030	5 to 8	Gold	15



T2240



Material

Hinge body: brass, in nickel, chrome or gold finish.

Glass adj. roller: polyamide, black.

Bushes & spacers: rubber, black.

Technical Notes

6mm overlay. For door thickness 5 to 8mm.

Horizontally adjustable by 2,5mm, vertical

adjustment 2mm.

Max. door size - 600w x 700h x 8mm thick.

Max. door weight - 15Kg per hinge pair.

Plastic body of hinge forms a mechanical catch to hold panel/door in closed position.

Please note, you will need to drill holes in the glass in order to fit these hinges.

Important Notes

Spacers are supplied to accommodate different glass door thicknesses;

5mm glass use 3 spacers

6mm glass use 2 spacers

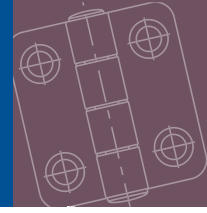
8mm glass no spacers required.

Order No.	Glass thickness mm	Finish	Load capacity 2 hinges kg
T2240.AC0010	5 to 8	Satin Nickel	15
T2240.AC0020	5 to 8	Chrome	15
T2240.AC0030	5 to 8	Gold	15

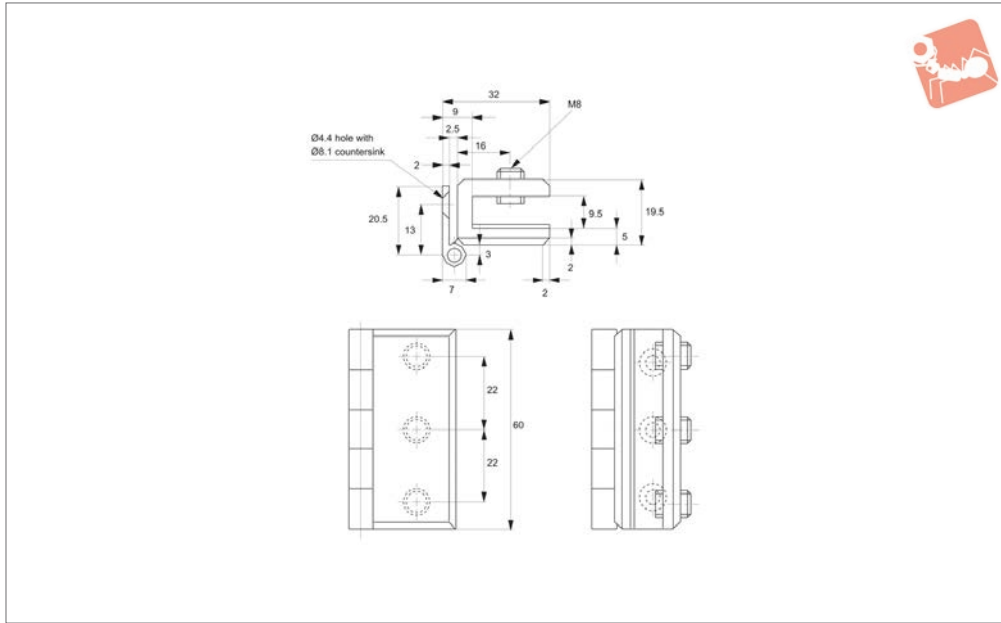


Glass Door Hinges - Set Screw Mount

stainless steel



Hinges



T2260

HINGES

Material

Body: stainless steel, AISI 304, polished

Max. door size-

450w x 1300h x 8mm thick.

Three grub screws hold and clamp glass in place.

Technical Notes

For door thicknesses 4 to 8mm.

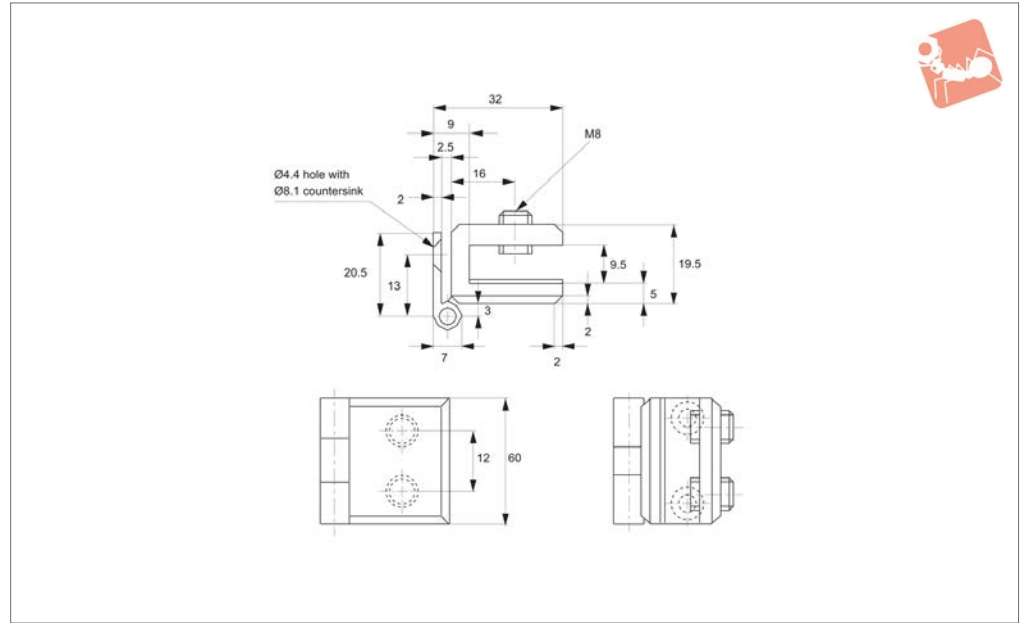
Important Notes

No holes required in glass for installation.

Order No.	Glass thickness mm	Finish
T2260.AC0010	4 to 8	Stainless



T2280



Material

Body: stainless steel, AISI 304, polished

Max. door size - 400w x 600h x 8mm thick. place.

Technical Notes

For door thicknesses 4 to 8mm.

Important Notes

No holes required in glass for installation.
Three grub screws hold and clamp glass in

Order No.

T2280.AC0010

Glass thickness
mm

4 to 8

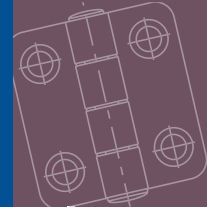
Finish

Stainless

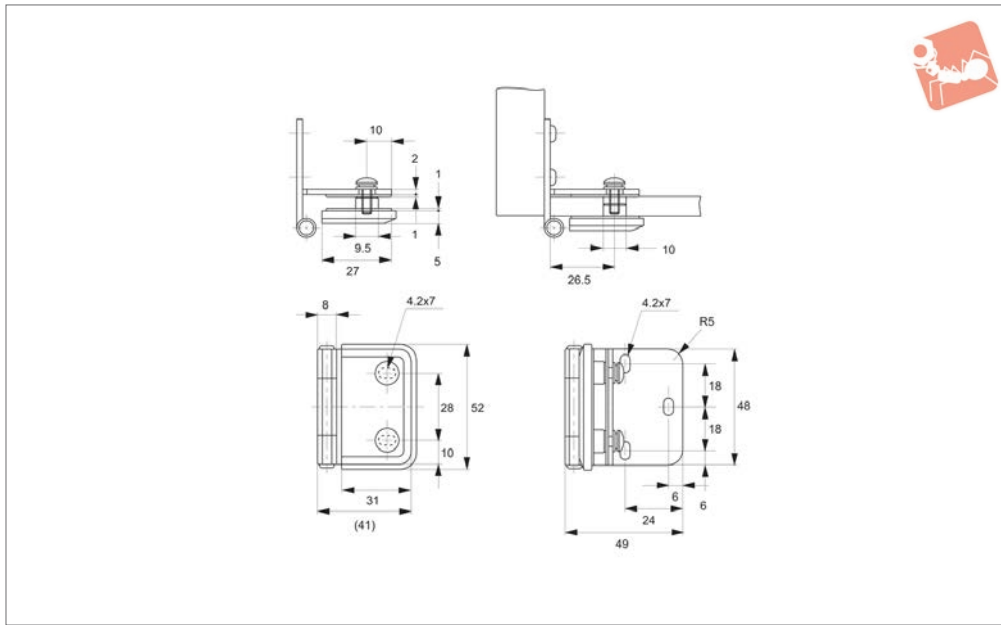


Glass Door Hinge - Inset Type

stainless steel



Hinges



T2300

HINGES

Material

Hinge body: stainless steel, AISI 304, polished.

Cover plate: zinc alloy, chrome plated.

Technical Notes

For door thicknesses 5 to 8mm.

Max. door size - 650w x 700h x 8mm thick.

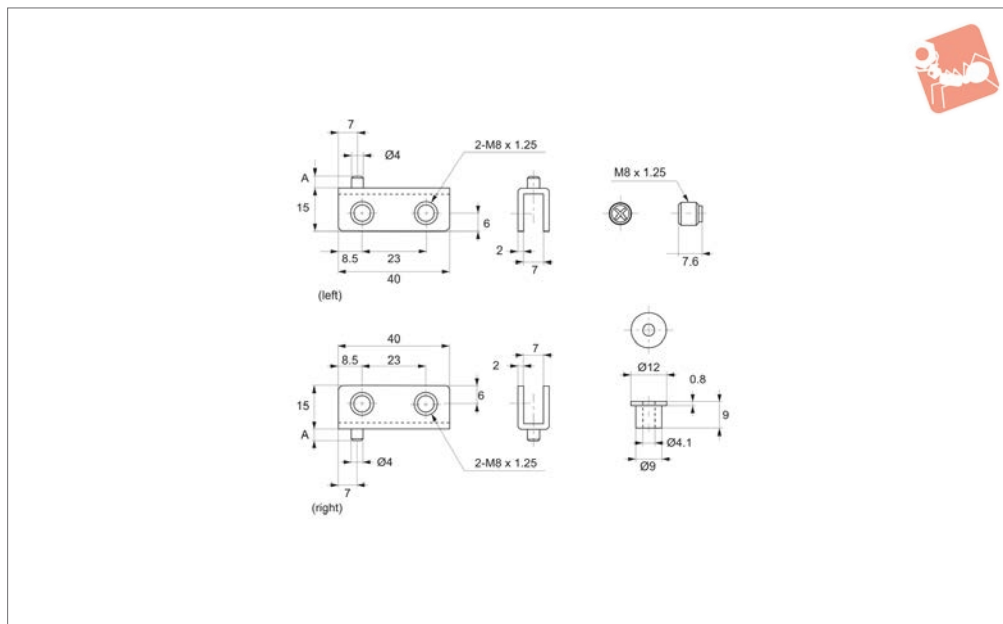
Max. door weight - 12Kg per hinge pair.

Please note, you will need to drill holes in the glass in order to fit these hinges.

Order No.	Glass thickness mm	Finish	Load capacity kg
T2300.AC0010	5 to 8	Stainless	12



T2400



Material

Hinge Body: Steel, black finish
Support: Polypropylene (PP), black finish
Screw: Steel, black finish
Socket: Polyamide (PA), black finish

Technical Notes

Please use in pairs. Can not be used sepe-

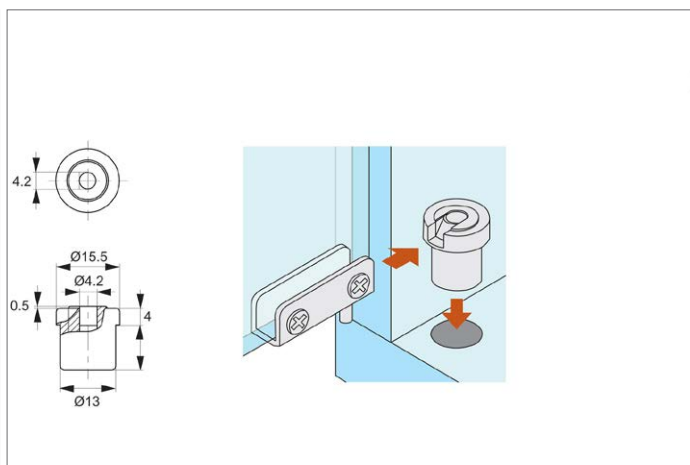
rately.

Left: For left-lower/right-upper
Right: For right-lower/left-upper
Door width: Max. 450
Door Height: Max. 700
Glass Thickness: 4,5
Door Weight: Max. 4kg/pair

Tips

T2400.AW0010 and T2400.AW0020 should be used with the socket.

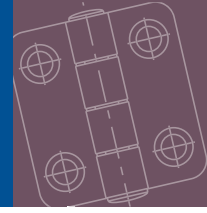
Order No.	Type	a	Weight g
T2400.AW0010	Right	4	25.0
T2400.AW0020	Left	4	25.0
T2400.AW0110	Right	9	25.5
T2400.AW0120	Left	9	25.5
T2400.AW0990	-	-	5



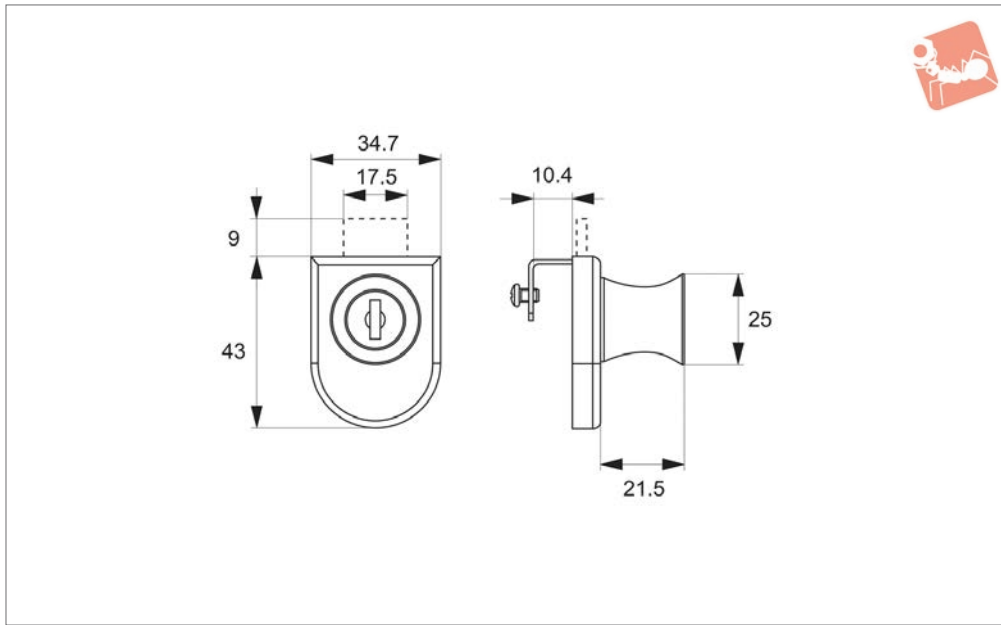


Glass Door Lock

zinc, cylinder lock - set screw mount



Hinges



T4101

HINGES

Material

Zinc alloy, Din EN1774 ZnAl4Cu1

glass cabinets and showcases.

Technical Notes

To suit glass from 4 - 8mm thick. For use in

Important Notes

Easy installation, lock is clamped to edge of glass via a grub screw.

Also supplied with catch plate.

Order No.	Glass thickness mm min.	Glass thickness mm max.	Key type
T4101.AW0010	4	8	Keyed alike



The Wixroyd range of glass door hinges are intended for the mounting of smaller doors and panels on cabinets and enclosures, typically their maximum load capacity is 4 Kg per hinge pair. Some of our larger hinges have a capacity of upto 12-15 Kg/pair.

Inset type hinges

Inset hinges are mounted on the inside of the cabinet frame, and are used for hanging doors/panels flush to the frame of the cabinet. Requires mounting holes to be cut into the glass.



Wixroyd product no.	Max. glass thickness (mm)	Max. load capacity per pair (Kg)	Max. door/panel size mm (subj. to max. load)	Requires mounting holes cut in glass
T2000	4 to 6	4	-	Yes
T2030	4 to 6	4	450 x 700	Yes
T2220	5 to 8	15	600 x 700	Yes
T2300	5 to 8	12	650 x 700	Yes
T2102	4 to 6	8	500 x 600	Yes

Overlay hinges

Overlay hinges are mounted to the inside of the cabinet frame, with the complete hinge profile resting on the cabinet frame. The door/panel is hung proud of the cabinet frame. Requires mounting holes to be cut into the glass.



Wixroyd product no.	Max. glass thickness (mm)	Max. load capacity per pair (Kg)	Max. door/panel size mm (subj. to max. load)	Requires mounting holes cut in glass
T2240	5 to 8	15	600 x 700	Yes
T2106	4 to 6	8	500 x 600	Yes

Half overlay hinges

Half overlay hinges are mounted to the inside of the cabinet frame, with half of the hinge profile resting on the cabinet frame. The door/panel is hung proud of the cabinet frame. Requires mounting holes to be cut into the glass.



Wixroyd product no.	Max. glass thickness (mm)	Max. load capacity per pair (Kg)	Max. door/panel size mm (subj. to max. load)	Requires mounting holes cut in glass
T2020	4 to 6	4	-	Yes
T2040	4 to 6	4	450 x 700	Yes
T2104	4 to 6	8	500 x 600	Yes

Glass-to-glass hinges

To hinge glass-to-glass, Tony says use these particular hinges, they provide non-flush hanging of glass to glass. Requires mounting holes to be cut into the glass.



Wixroyd product no.	Max. glass thickness (mm)	Max. load capacity per pair (Kg)	Max. door/panel size mm (subj. to max. load)	Requires mounting holes cut in glass
T2200	5 to 8	15	600 x 700	Yes

Set screw mount hinges

These simple to install glass hinges use set screws to clamp the glass, no cutting of the glass is required.



Wixroyd product no.	Max. glass thickness (mm)	Max. load capacity per pair (Kg)	Max. door/panel size mm (subj. to max. load)	Requires mounting holes cut in glass
T2260	4 to 8	-	450 x 1300	No
T2280	4 to 8	-	400 x 600	No