

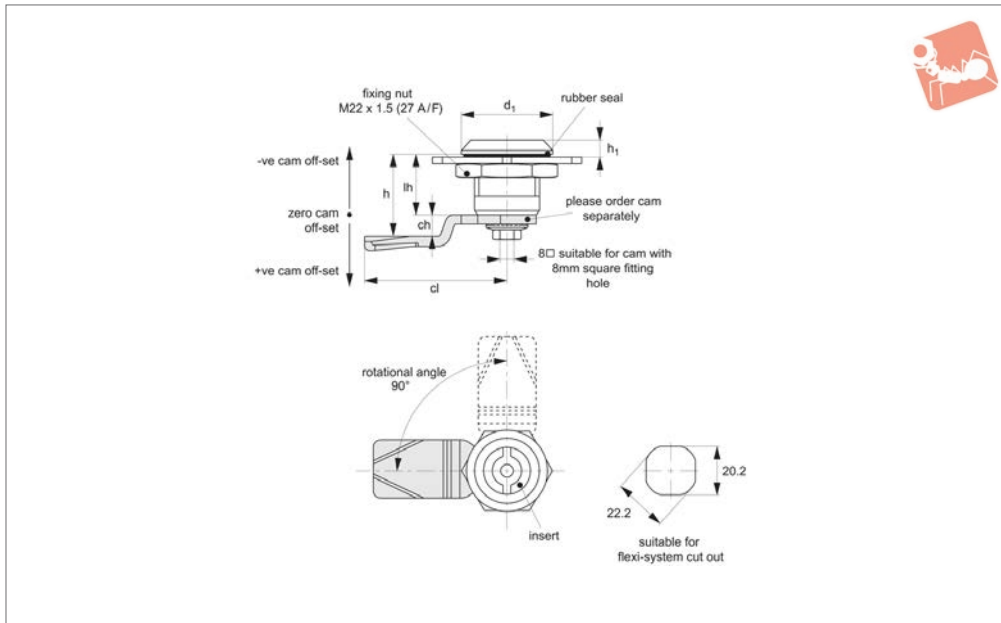


Cam Latches - Flexi-System

insert driver - fixed grip - zinc



Cam Latches



A1003

CAM LATCHES

Material

Body & insert: die cast zinc. Finished in chrome plate or black powder coating. Insert fitted with O'ring to achieve IP54 rating. Internal spring provides 1,5mm torsion.

Supplied with: Nut: steel, zinc plated. Sealing washer: PU and rubber.

Not supplied: CAM nor KEY - order separately.

Technical Notes

Order cam and key separately.

Cams: see suitable cam A0203, A0224 and A0240. Select „without projection“ cam type.

Dimensions ch and cl relate to cam. Use formula to calculate ch (required cam off-set), and refer to cam selection chart;

ch = h - lh where;

ch = required cam off-set/height.

h = grip length (distance between inside of latch face and front of cam).

lh = body length of cam latch/lock to be used (see product table below).

Keys: see A0102.

Rods & Guides: to achieve 3-point latching - A0303, A0321, A0325.

Important Notes

Extended body version - A1251.

Sold subject to pack quantity.

Order No.	Finish	Insert driver	d ₁	h ₁	lh
A1003.AW0010	Chrome Plated	Square 7	28	6	18
A1003.AW0310	Black Coated	Square 7	28	6	18
A1003.AW0020	Chrome Plated	Square 8	28	6	18
A1003.AW0320	Black Coated	Square 8	28	6	18
A1003.AW0040	Chrome Plated	Triangle 7	28	6	18
A1003.AW0340	Black Coated	Triangle 7	28	6	18
A1003.AW0050	Chrome Plated	Triangle 8	28	6	18
A1003.AW0350	Black Coated	Triangle 8	28	6	18
A1003.AW0060	Chrome Plated	3mm Double Bit	28	6	18
A1003.AW0360	Black Coated	3mm Double Bit	28	6	18
A1003.AW0070	Chrome Plated	4mm Double Bit	28	6	18
A1003.AW0370	Black Coated	4mm Double Bit	28	6	18
A1003.AW0080	Chrome Plated	Slotted (2x4)	28	6	18
A1003.AW0380	Black Coated	Slotted (2x4)	28	6	18



Actuation Method	Body	Finishes	Cam Type		IP Rating
			With Projection	W/O Projection	
<p>cut out</p>	Die-Cast Zinc Polyamide Plastic Stainless Steel	Chrome Plated Black Coated Natural	With Projection	W/O Projection	54
A1661 - Mini Compression Latch - Fixed Grip	✓	22,5	✓	✓	54
Cams: A0234 - Keys: A0102					
A1667 - Mini Compression Latch - Wing Handle - Fixed Grip	✓	22,5	✓	✓	54
Cams: A0234 - Keys: N/A					
Actuation Method	Body	Finishes	Cam Type		IP Rating
			With Projection	W/O Projection	
<p>cut out</p>	Die-Cast Zinc Polyamide Plastic Stainless Steel	Chrome Plated Black Coated Natural	With Projection	W/O Projection	54
A1261 - Mini Cam Latch - Fixed Grip	✓	12,5	✓	✓	54
Cams: A0261 - Keys: A0102					
A1281 - Mini Cam Latch - Wing Handle - Fixed Grip	✓	12,5	✓	✓	54
Cams: A0261 - Keys: N/A					
A2390 - Mini Cam Lock - Wing Handle - Fixed Grip	✓	13	✓	✓	54
Cams: A0261 - Keys: Supplied					

Actuation Method	Body	Finishes	Cam Type		IP Rating
			With Projection	W/O Projection	
<p>cut out</p>	Die-Cast Zinc Polyamide Plastic Stainless Steel	Chrome Plated Black Coated Natural	With Projection	W/O Projection	54
A2326 - Mini Cam Lock - Fixed Grip	✓	16,5	✓	✓	54
Cams: Supplied - Keys: Supplied					
A2328 - Mini Cam Lock - Fixed Grip	✓	15	✓	✓	54
Cams: N/A - Keys: Supplied					
A2330 - Mini Cam Lock - Fixed Grip	✓	11	✓	✓	54
Cams: Supplied - Keys: Supplied					
A2331 - Mini Cam Lock - Fixed Grip	✓	16	✓	✓	54
Cams: Supplied - Keys: Supplied					
A2342 - Mini Cam Lock - Fixed Grip - Radial Key	✓	13	✓	✓	54
Cams: Supplied - Keys: Supplied					
A2393 - Mini Cam Lock - Wing Handle - Fixed Grip	✓	11	✓	✓	54
Cams: Supplied - Keys: Supplied					
Actuation Method	Body	Finishes	Cam Type		IP Rating
			With Projection	W/O Projection	
<p>cut out</p>	Die-Cast Zinc Polyamide Plastic Stainless Steel	Chrome Plated Black Coated Natural	With Projection	W/O Projection	54
A2333 - Mini Cam Lock - Fixed Grip	✓	Various	✓	✓	54
Cams: A0203, A0224, A0240 - Keys: Supplied					
A2340 - Mini Cam Lock - Fixed Grip	✓	15	✓	✓	54
Cams: Supplied - Keys: Supplied					
A2392 - Mini Cam Lock - Wing Handle - Fixed Grip	✓	24	✓	✓	54
Cams: A0203, A0224, A0240 - Keys: Supplied					

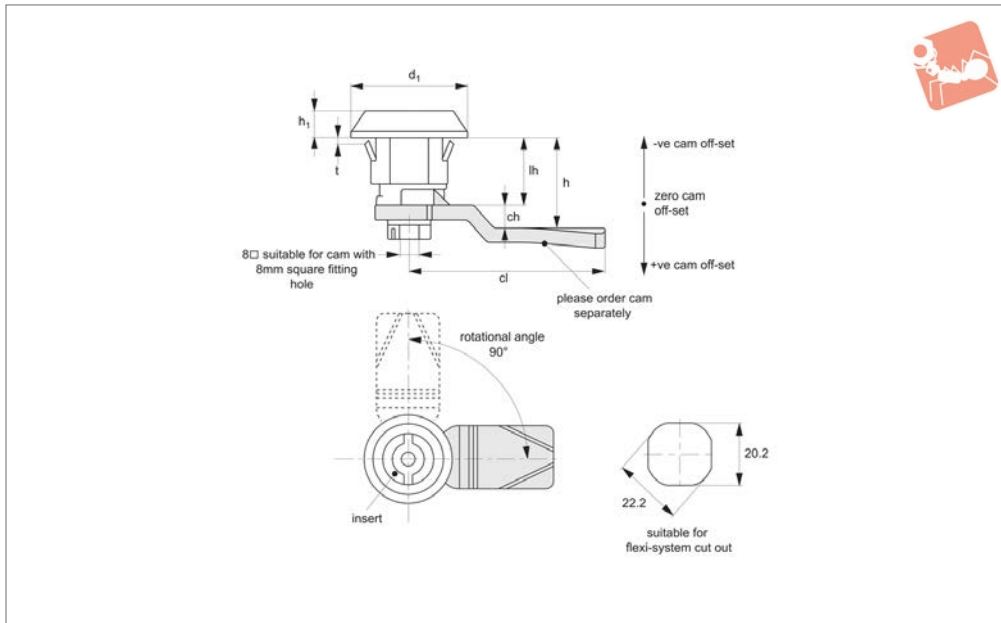


Cam Latches - Snap in - Flexi-System

Fixed grip, polyamide



Cam Latches



A1004

CAM LATCHES

Material

Body: PA plastic.

Insert: Die cast zinc.

Supplied with: Nut: steel, zinc plated.

Sealing washer: PU and rubber.

Not supplied: CAM nor KEY - order separately.

Technical Notes

Order cam and key separately.

Cams: see suitable cam A0203, A0224 and A0240. Select „with projection“ cam type.

Dimensions ch and cl relate to cam. Use formula to calculate ch (required cam off-set), and refer to cam selection chart;

$ch = h - lh$ where;

ch = required cam off-set/height.

h = grip length (distance between inside of latch face and front of cam).

lh = body length of cam latch/lock to be used (see product table below).

Suitable for panel thickness 0,8-1,5mm.

Keys: see A0102.

Tips

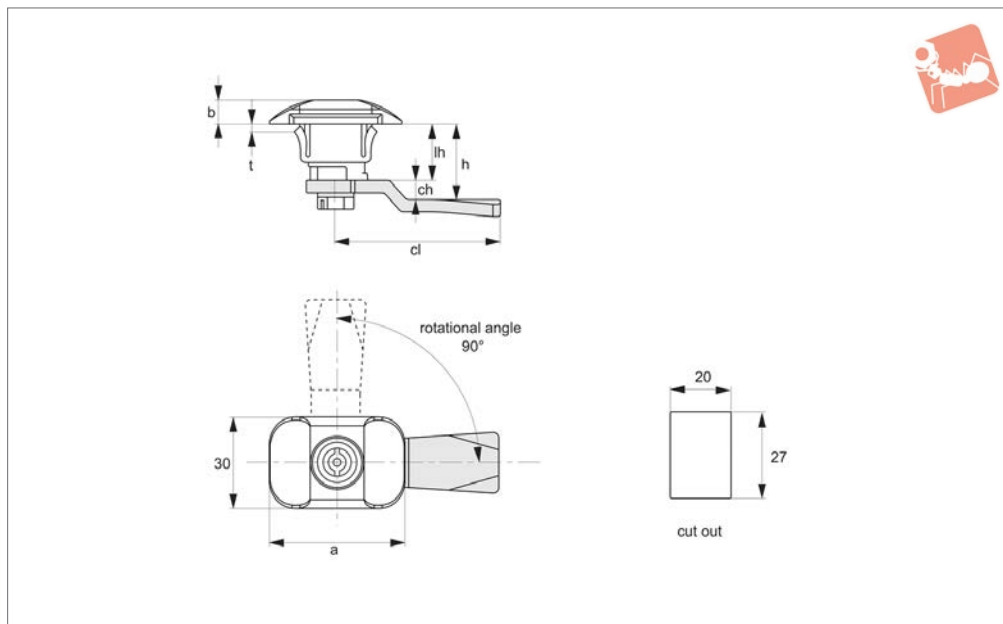
Easy snap on fix mounting. Make cut out in panel as shown, and simply push in handle, snap on clips will spring back to securely mount handle.

Order No.	Insert driver	d ₁	h ₁	t	lh
A1004.AW0020	Square 8	Ø30	7.5	0,8-1,5	18
A1004.AW0075	5mm Double Bit	Ø30	7.5	0,8-1,5	18





A1010



Material

Body: Black plastic (PA6).

Insert: Zinc.

Not supplied: Cam - order separately.

Technical Notes

Order cam and key separately.

Cams: see suitable cam A0203, A0224 and

A0240. Select „with projection“ cam type.

Dimensions ch and cl relate to cam. Use formula to calculate ch (required cam off-set), and refer to cam selection chart;

$ch = h - lh$ where;

ch = required cam off-set/height.

h = grip length (distance between inside of

latch face and front of cam).

lh = body length of cam latch/lock to be used (see product table below).

Suitable for panel thickness 0,8-2mm.

Keys: see A0102.

Order No.	Insert driver	a	b	t	lh
A1010.AW0020	8mm Square	43	7.5	0,8-2	17.8
A1010.AW0070	5mm Double Bit	43	7.5	0,8-2	17.8

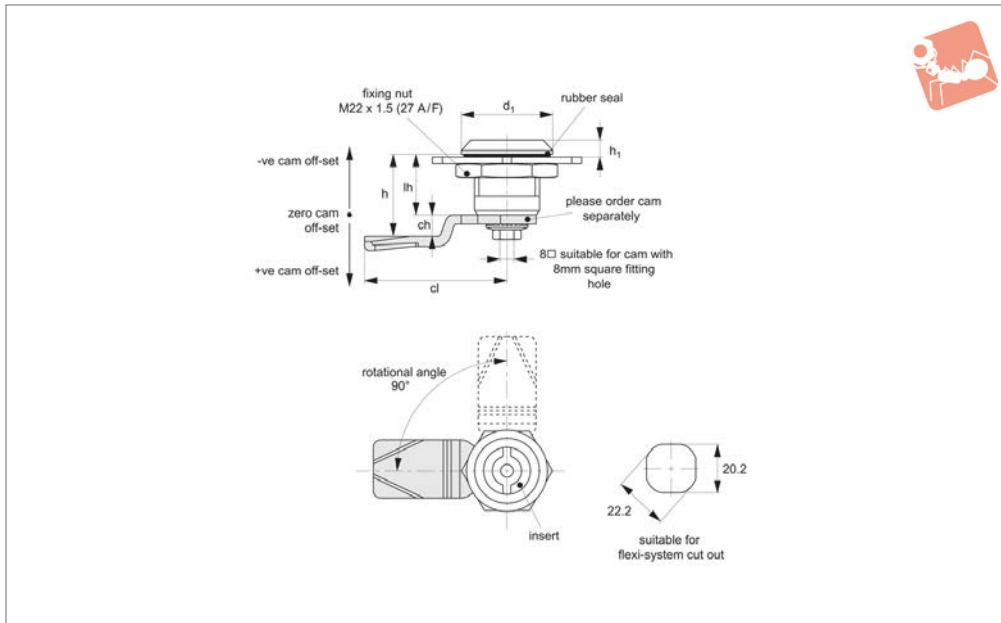


Cam Latches - Flexi-System

insert driver - fixed grip - plastic



Cam Latches



A1021

CAM LATCHES

Material

Body: polyamide plastic, black.
 Insert: zinc alloy, black coated. Fitted with O'ring to achieve IP54 rating. Internal spring provides 1,5mm torsion.
Supplied with: Nut: steel, zinc plated.
 Sealing washer: PU & Rubber.
Not supplied: CAM nor KEY - order separately.

Technical Notes

Order cam and key separately.

Cams: see suitable cam A0203, A0224 and A0240. Select „without projection“ cam type.
 Dimensions ch and cl relate to cam. Use formula to calculate ch (required cam off-set), and refer to cam selection chart;
 $ch = h - lh$ where;
 ch = required cam off-set/height.
 h = grip length (distance between inside of latch face and front of cam).
 lh = body length of cam latch/lock to be

used (see product table below).

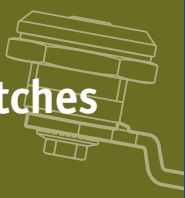
Keys: see A0102.

Rods & Guides: to achieve 3-point latching - A0303, A0321, A0325.

Important Notes

An inexpensive alternative to stainless steel, where water or other solutions may cause corrosion.
 Sold subject to pack quantity.

Order No.	Insert driver	d ₁	h ₁	lh
A1021.AW0010	Square 7	28	6	18
A1021.AW0020	Square 8	28	6	18
A1021.AW0040	Triangle 7	28	6	18
A1021.AW0050	Triangle 8	28	6	18
A1021.AW0060	3mm Double Bit	28	6	18
A1021.AW0070	4mm Double Bit	28	6	18
A1021.AW0080	Slotted (2x4)	28	6	18



Available insert drivers:

Square 7	Square 8	Triangle 7	Triangle 8	3mm Double Bit	4mm Double Bit	2 x 4mm Slotted

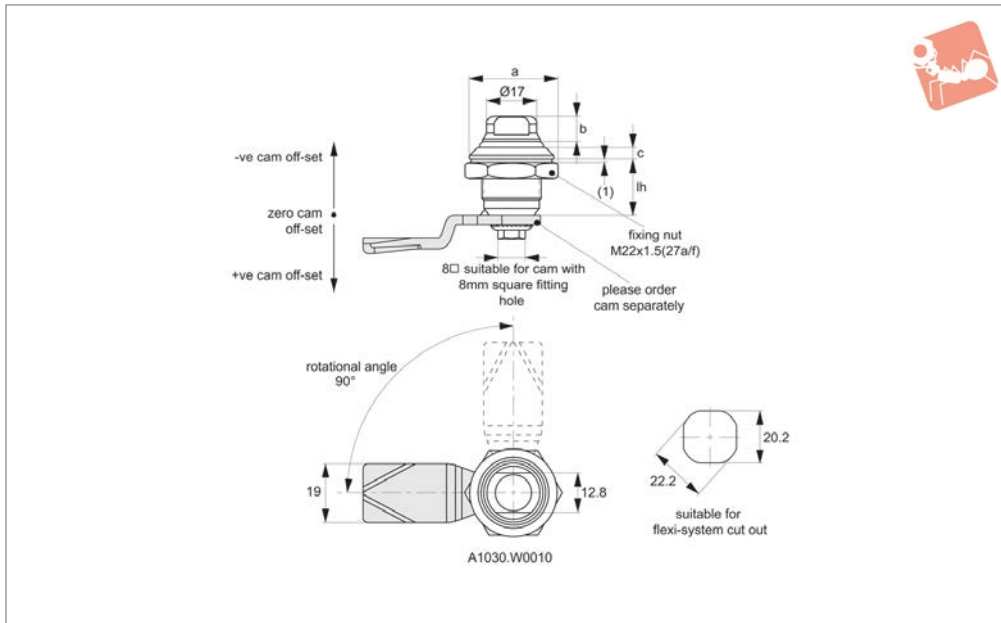


Cam Latches - Flexi-System

hygienic - stainless steel



Cam Latches



A1030

CAM LATCHES

Material

Body, inset and screw: stainless steel AISI 316.

Fitted with sealing gasket to achieve IP65 rating.

Sealing washer: silicone.

Not supplied: CAM nor KEY - order separately.

Technical Notes

Order cam key separately.

No need for key. Designed for use with spanner.

Cams: see suitable cam A0203 (steel), A0210 (stainless). Select „without projection“ cam type.

Dimensions ch and cl relate to cam. Use formula to calculate ch (required cam off-set), and refer to cam selection chart;

ch = h - lh where;

ch = required cam off-set/height.

h = grip length (distance between inside of latch face and front of cam).

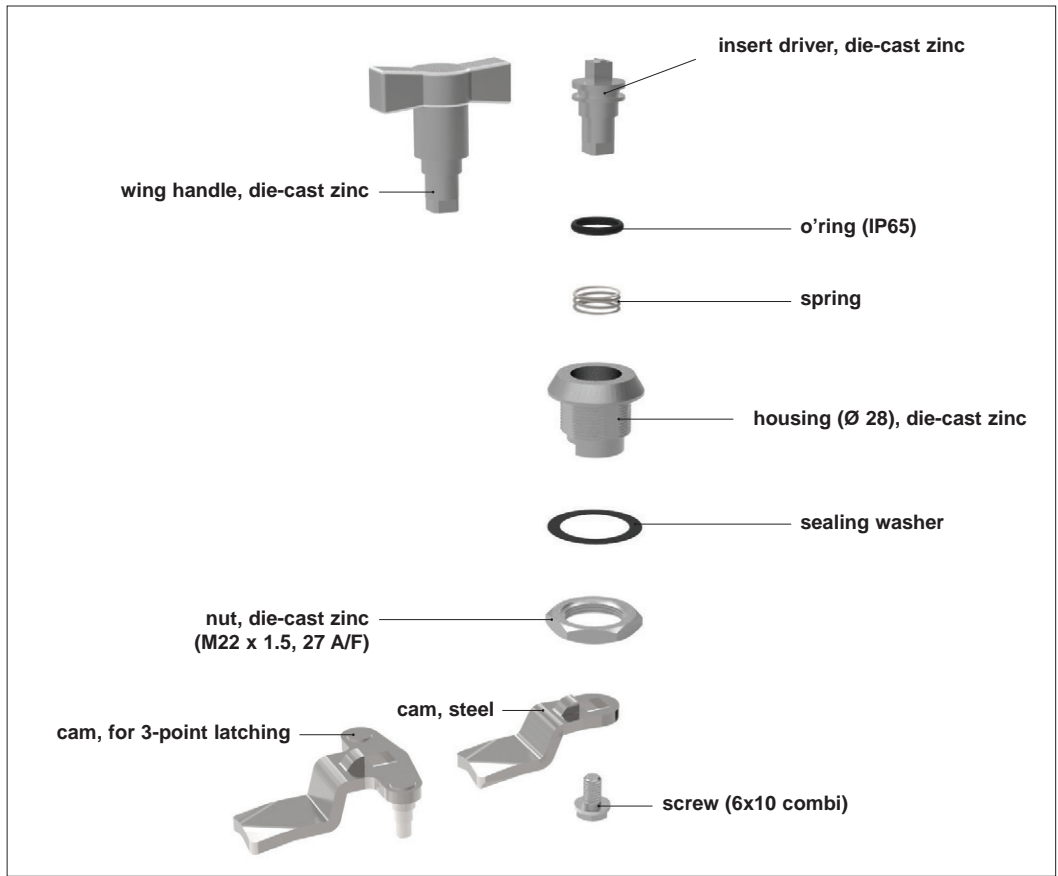
lh = body length of cam latch/lock to be used (see product table below).

Order No.	Extruded driver	a	b	lh	c
A1030.AW0010	Stadium	28	8	18	4

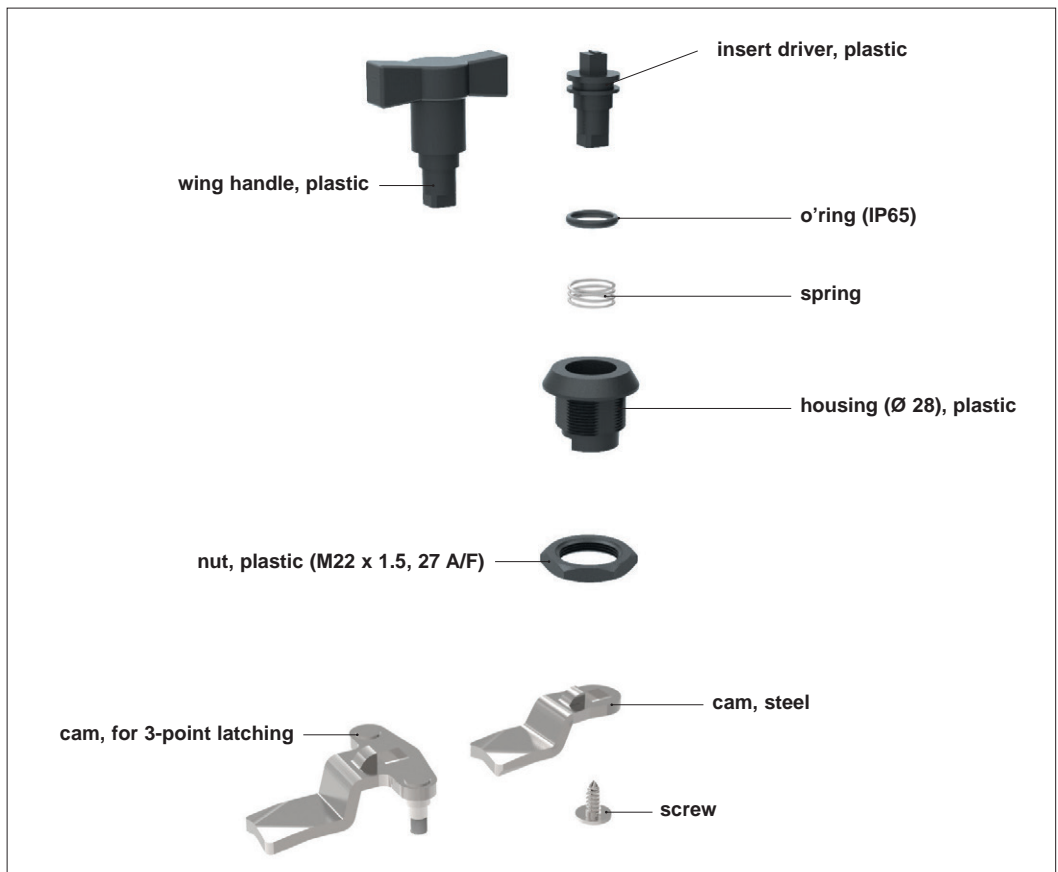


Die-cast Zinc: A1003, A1181

(also A1103 in stainless steel).



Plastic: A1021, A1181



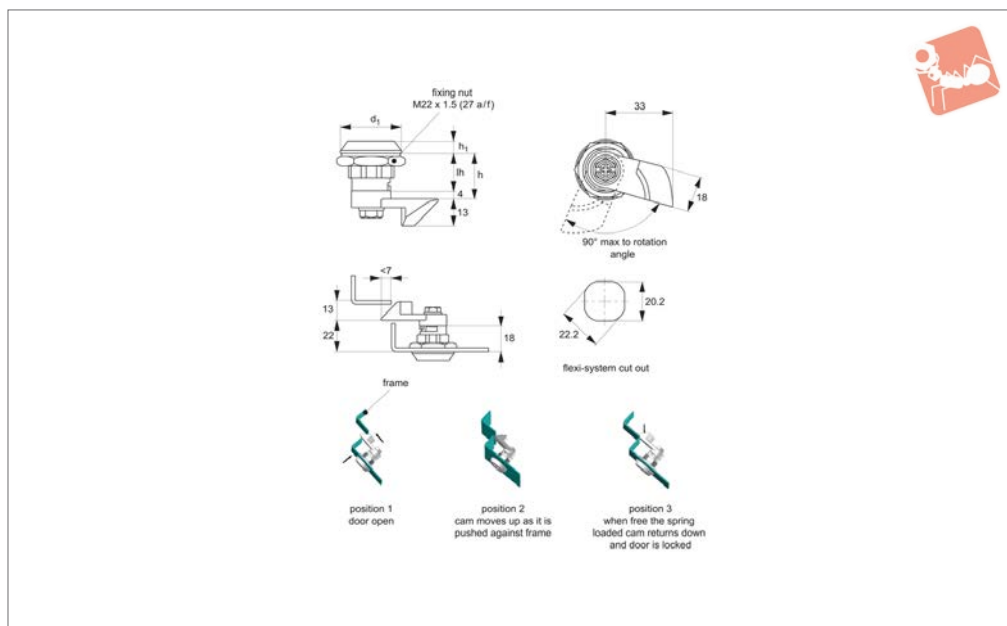


Cam Latches - Flexi-System

insert driver - push to close - fixed grip - zinc



Cam Latches



A1041

CAM LATCHES

Material

Body & Insert: die cast zinc, bright chrome plated.

Supplied with: Cam: die cast zinc, bright chrome plated - fixed off-set of 4mm.

Not supplied: KEY - order separately.

Technical Notes

Order key separately.

Keys: see A0102.

Tips

Spring loaded cam provides depress-to-lock action. See application drawings for operation. Quarter turn opening or closing. Right hand type for panel with hinges on right side, left hand type for panels with hinges on left side. Grip length of cam

fixed at 22mm (lh + 4mm).

Important Notes

Sold subject to pack quantity.

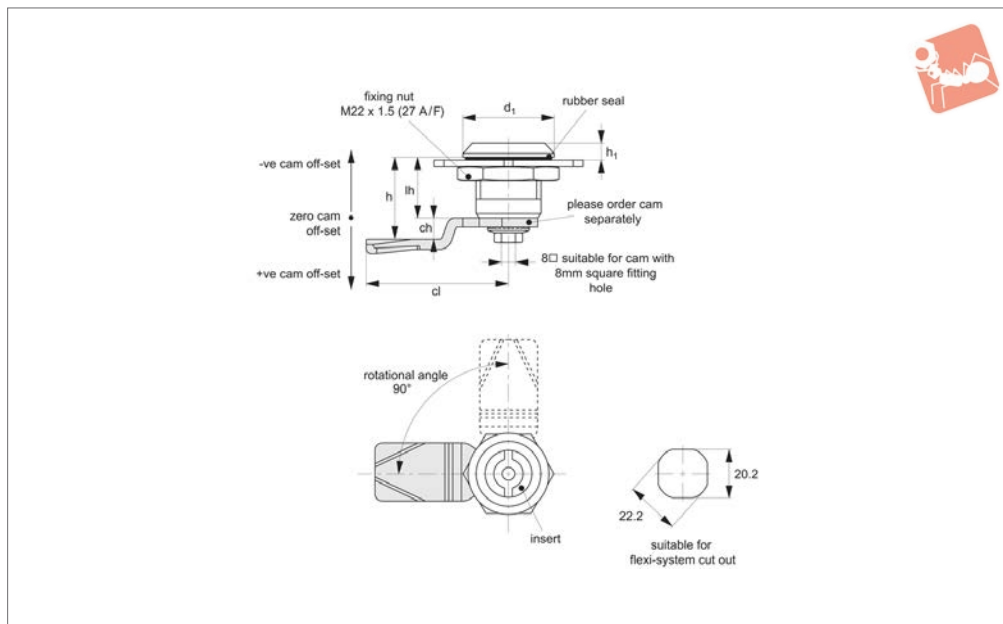
Order No.	Type	Insert driver	d ₁	h ₁	lh	h
A1041.AW0020	Right	Square 8	28	4	18	22
A1041.AW0050	Right	Triangle 8	28	4	18	22
A1041.AW0070	Right	4mm Double Bit	28	4	18	22
A1041.AW0080	Right	Slotted (2x4)	28	4	18	22
A1041.AW0520	Left	Square 8	28	4	18	22
A1041.AW0550	Left	Triangle 8	28	4	18	22
A1041.AW0570	Left	4mm Double Bit	28	4	18	22
A1041.AW0580	Left	Slotted (2x4)	28	4	18	22

Available insert drivers:

Square 8	Triangle 8	4mm Double Bit	2 x 4mm Slotted



A1103



Material

Body & Insert: stainless steel, AISI 304.
 Insert fitted with O'ring to achieve IP54 rating. Internal spring provides 1,5mm torsion.

Supplied with: Nut: stainless steel.

Sealing washer: PU & Rubber.

Not supplied: CAM nor KEY - order separately.

Technical Notes

Order cam and key separately.

Cams: see suitable cam A0210. Select „without projection“ cam type.

Dimensions ch and cl relate to cam. Use formula to calculate ch (required cam off-set), and refer to cam selection chart;

$ch = h - lh$ where;

ch = required cam off-set/height.

h = grip length (distance between inside of latch face and front of cam).

lh = body length of cam latch/lock to be used (see product table below).

Keys: see A0102.

Rods & Guides: to achieve 3-point latching - A0303, A0321, A0325.

Order No.	Insert driver	d_1	h_1	lh
A1103.AW0020	Square 8	28	6	18
A1103.AW0040	Triangle 7	28	6	18
A1103.AW0050	Triangle 8	28	6	18
A1103.AW0060	3mm Double Bit	28	6	18
A1103.AW0070	4mm Double Bit	28	6	18

Available insert drivers:

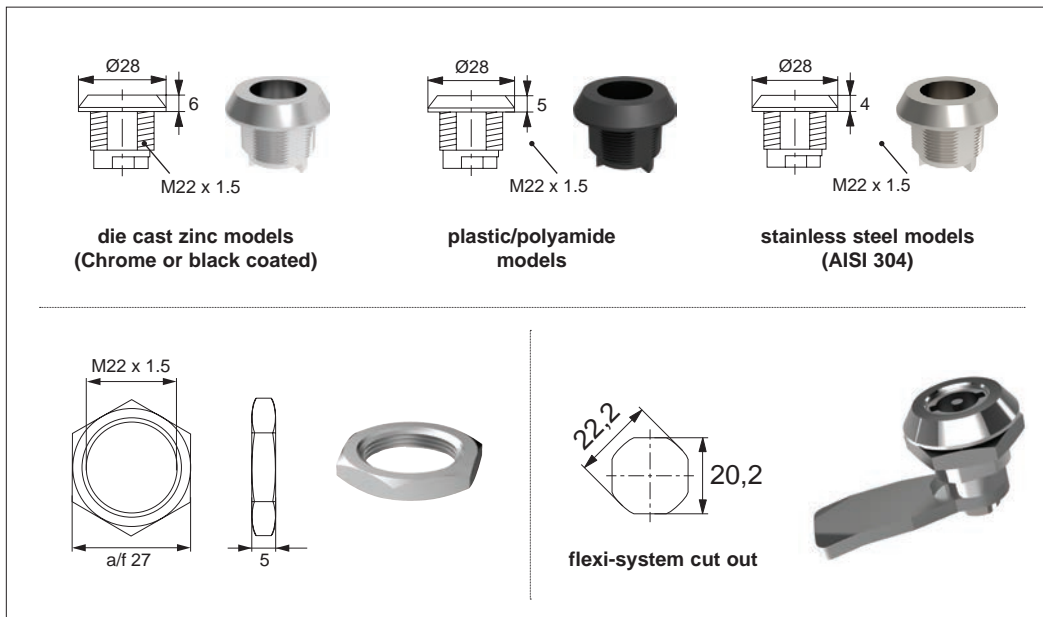
Square 8	Triangle 7	Triangle 8	3mm Double Bit	4mm Double Bit
8	6.5	8	Ø 3	Ø 4



Wixroyd Cam Latches

general information

Cam Latches and Locks



Dimensions of our cam latch housings

Dimensions apply to our standard range of flexi-system cam latches.

CAM LATCHES

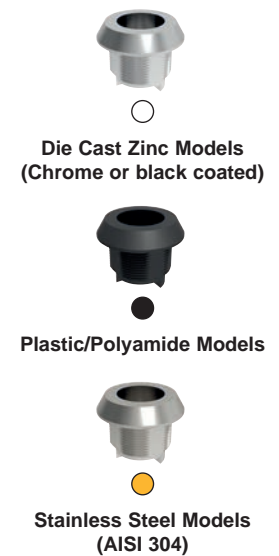
Available insert drivers for flexi-system latches

3mm double bit	4mm double bit	6mm square	7mm square	8mm square
✓ <input type="radio"/> <input type="radio"/> <input type="radio"/> <input type="radio"/>	✓ <input type="radio"/> <input type="radio"/> <input type="radio"/> <input type="radio"/>	<input type="radio"/>	✓ <input type="radio"/> <input type="radio"/>	✓ <input type="radio"/> <input type="radio"/> <input type="radio"/> <input type="radio"/>
7mm triangle	8mm triangle	9mm triangle	Slotted	Square 8mm with slot
✓ <input type="radio"/> <input type="radio"/> <input type="radio"/> <input type="radio"/>	✓ <input type="radio"/> <input type="radio"/> <input type="radio"/> <input type="radio"/>	✗ <input type="radio"/>	✓ <input type="radio"/> <input type="radio"/>	✗ <input type="radio"/> <input type="radio"/>
10mm hex	8mm hex	8mm hex security pin	13mm eastern european	Tubular
✗ <input type="radio"/>	✗ <input type="radio"/>	✗ <input type="radio"/>	✗ <input type="radio"/>	✗ <input type="radio"/>

✓ Available as part of our standard range

✗ Available subject to a minimum order quantity

Available materials



ov-WA1004-A-T-WA1251-A-TCC0460-cam-latches-general-information-mh-Updated -26-10-2022



All our cam latches use a standard cut out dimension of 22,2 Ø and 20,2 square which accommodates many industry standards. Flexi-System parts are fully interchangeable, providing a completely flexible hardware system including two or three point latching systems.

Flexi-system

CAM LATCHES



insert driver cam latches



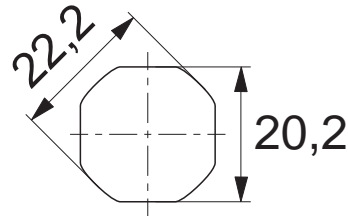
padlockable cam latches



wing handle cam latches



extended grip cam latches



flexi-system cut out



cam locks



t-handle locks



l-handle locks



compression latches



Wixroyd Cam and Compression Latches

flexi-system cut out product selection charts

Cam Latches and Locks



flexi-system cut out 	Actuation Method			Body length (mm)	Body			Finishes			Cam Type		IP Rating
	Insert Driver	Cylinder Lock	Manual/Grip		Die-Cast Zinc	Polyamide Plastic	Stainless Steel	Chrome Plated	Black Coated	Natural	With Projection	W/O Projection	
A1003 - Cam Latch - Fixed Grip 	✓			18	✓			✓	✓		✓	54	
Cams: A0203, A0224, A0240 - Keys: A0102													
A1021 - Cam Latch - Fixed Grip 	✓			18	✓					✓	✓	54	
Cams: A0203, A0224, A0240 - Keys: A0102													
A1041 - Cam Latch - Push-to-Close - Fixed Grip 	✓			18	✓			✓					
Cams: Supplied - Keys: A0102													
A1103 - Cam Latch - Fixed Grip 	✓			18		✓				✓	✓	54	
Cams: A0210 - Keys: A0102													
A1161 - Cam Latch - Padlockable - Fixed Grip 		✓		18	✓			✓	✓		✓		
Cams: A0203, A0224, A0240 - Keys: Padlockable													
A1168 - Cam Latch - Dust Proof Cap - Fixed Grip 	✓			18	✓			✓			✓	54	
Cams: A0203, A0224, A0240 - Keys: A0102													
A1181 - Cam Latch - Wing Handle - Fixed Grip 		✓		18,5	✓	✓		✓	✓	✓	✓	54	
Cams: A0203, A0224, A0240 - Keys: N/A													

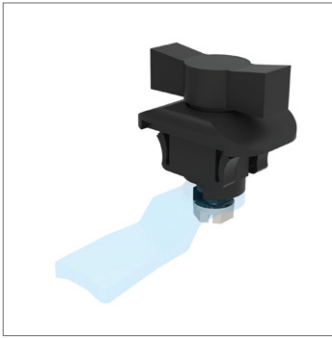
	Actuation Method			Body length (mm)	Body			Finishes			Cam Type		IP Rating
	Insert Driver	Cylinder Lock	Manual/Grip		Die-Cast Zinc	Polyamide Plastic	Stainless Steel	Chrome Plated	Black Coated	Natural	With Projection	W/O Projection	
A1203 - Cam Latch - Finger Handle - Fixed Grip 		✓		Various	✓					✓	✓	54	
Cams: A0203, A0224, A0240 - Keys: N/A													
A1210 - Cam Latch - Tamper Evident 		✓		20	✓					✓		54	
Cams: A0203, A0224, A0240 - Keys: N/A													
A1241 - Cam Latch - Stepped Grip 	✓			Various	✓					✓		65	
Cams: Supplied - Keys: A0102													
A1251 - Cam Latch - Fixed Extended Body 	✓			Various	✓					✓		54	
Cams: A0203, A0224, A0240 - Keys: A0102													
A1580 - Compression Latch - Fixed Grip 		✓		18	✓					✓		54	
Cams: N/A - Keys: A0102													
A1601 - Compression Latch - Fixed Grip 	✓			31	✓					✓	✓	54	
Cams: A0203, A0224 - Keys: A0102													
A1603 - Compression Latch - Fixed Grip 	✓			38	✓					✓		54	
Cams: A0231, A0233 - Keys: A0102													

CAM LATCHES

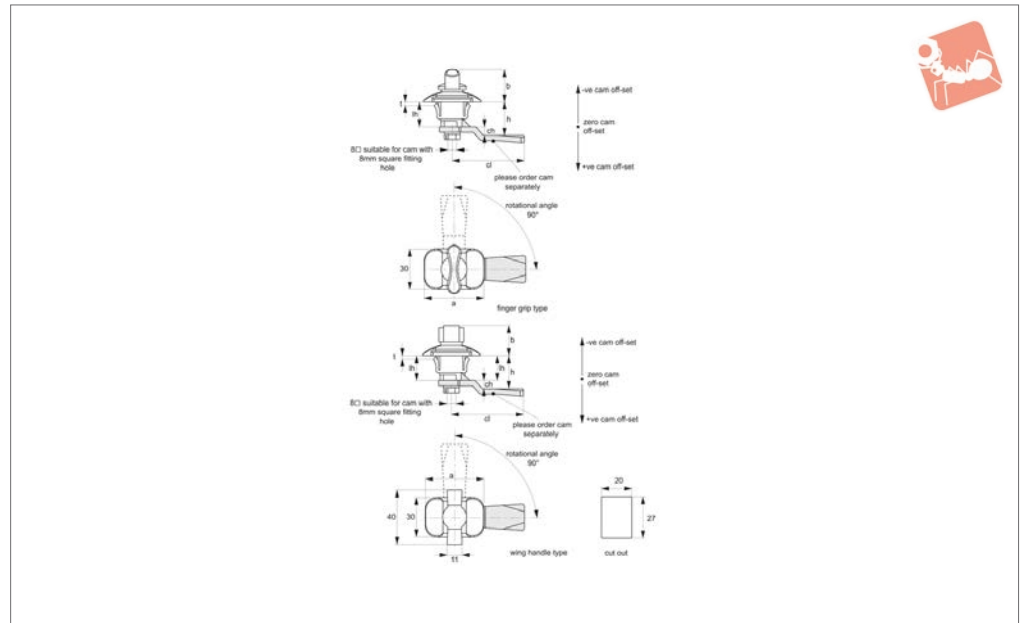
ov-WA1003-A-TCC0400-WA1251-A-TCC0460-cam-compression-latches-product-selection-chart-a-rmh-Updated-27-10-2022



CAM LATCHES



A1185



Material

Body and Handle: Black plastic (PA6).

Not supplied: Cam - order separately.

Technical Notes

Order cam and key separately.

Cams: see suitable cam A0203, A0224 and A0240. Select „with projection“ cam type.

Dimensions ch and cl relate to cam. Use formula to calculate ch (required cam off-

set), and refer to cam selection chart;

$ch = h - lh$ where;

ch = required cam off-set/height.

h = grip length (distance between inside of latch face and front of cam).

lh = body length of cam latch/lock to be used (see product table below).

Suitable for panel thickness 0,8-2mm

Keys: see A0102.

Tips

Easy snap on fix mounting. Make cut out in panel as shown, and simply push in handle, snap on clips will spring back to securely mount handle.

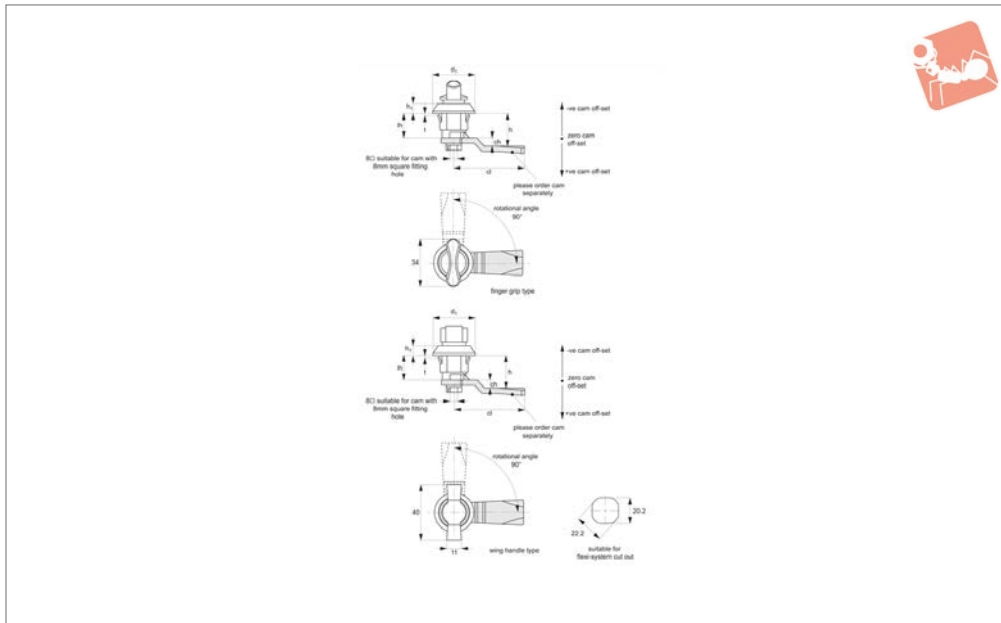
Wing handle enables easy actuation without the need for a key.

Order No.	Handle	a	b	t	lh
A1185.AW0010	Wing Handle	43	22.5	0,8-2	18.5
A1185.AW0020	Finger Grip	43	24	0,8-2	18.5



Cam Latches - Snap in - Flexi-System

Wing handle, fixed grip, zinc



A1195

CAM LATCHES

Material

Body and Handle: Black plastic (PA6).
Not supplied: Cam - order separately.

Technical Notes

Order cam and key separately.

Cams: see suitable cam A0203, A0224 and A0240. Select „with projection“ cam type. Dimensions ch and cl relate to cam. Use formula to calculate ch (required cam off-

set), and refer to cam selection chart;

ch = h - lh where;

ch = required cam off-set/height.

h = grip length (distance between inside of latch face and front of cam).

lh = body length of cam latch/lock to be used (see product table below).

Suitable for panel thickness 0,8-1.5mm

Keys: see A0102.

Tips

Easy snap on fix mounting. Make cut out in panel as shown, and simply push in handle, snap on clips will spring back to securely mount handle.

Wing handle enables easy actuation without the need for a key.

Order No.	Handle	d ₁	h ₁	t	lh
A1195.AW0010	Finger Grip	Ø30	7.5	0,8-1,5	18
A1195.AW0020	Wing Handle	Ø30	7.5	0,8-1,5	18



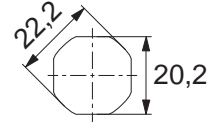
When selecting a Wixroyd Cam Latch for your application, you need to answer these questions:

1. Which installation cut out?
2. Which body style?
3. Which locking key?
4. Which accessories?
5. Which cam type and size?

Step 1: Which installation cut out?

Cut out

All our Flexi-System cam latches use a standard installation cut out 22,2 dia, 20,2 square, for maximum flexibility. We also provide a number of alternative cut out dimensions for legacy/historical installations.



flexi-system cut out

Step 2: Which body style?

Material and finish

Select from our variety of die cast zinc, polyamide plastic and stainless versions.



Die-cast zinc chrome plate

Die-cast zinc black coated

Polyamide black

Stainless steel

Actuation and locking method

Standard insert driver type, cylinder lock or wing handle type.



Insert driver

Cylinder lock

Wing handle

Number of latching points in application

Typically single point latching is required, but the Wixroyd Flexi-System also provides multi-point latching (typically 3 point - at lock point, top and bottom of cabinet).



Single point

Two point

Multi-point

Step 3: Which locking key?

Standard insert driver keys

Our range of insert driver cam latches require a simple key to actuate. Refer to part A0102 and A0103 for correct keys.



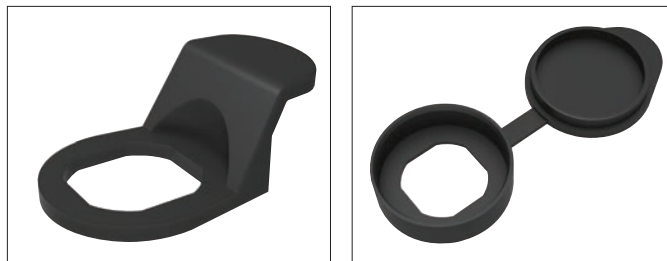
Cylinder locking

Our cam locks with cylinder locks are supplied with two keys per lock. Available as keyed alike or keyed to differ locks.



Step 4: Which accessories?

- Multi-point latching: use our rod set A0303 to A0325 for suitable rods and rod guides.
- Finger pulls: easily installed with any of our flexi-system cam bodies, finger pull no. A0352 is a simple, cost effective handle for your cabinets.
- Dust Cap: to reduce material ingress.

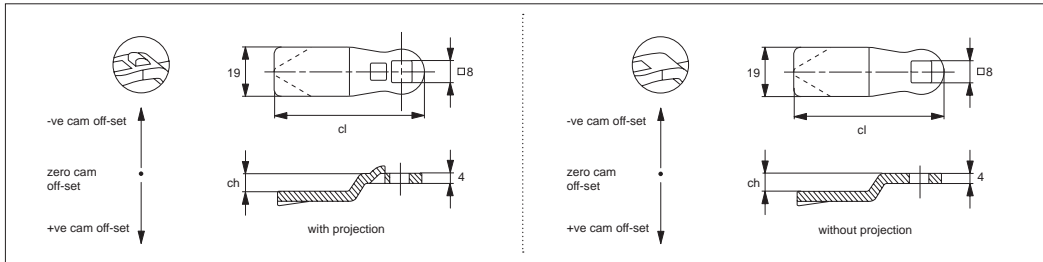


Selecting the Correct Cam Latch or Lock

Cam Latches and Locks

With or without "Projection"

Different cam bodies require cams either with or without projection.



With projection cams prevent turning of the cam over 45°, but is not suited to all cam bodies. For correct projection type please see individual cam body technical pages.

Number of Latching Points

Single point cams are suitable where just single point latching is required. Multi-point cams are for applications requiring 2 or 3 latching points.

Step 5: Which cam type and size?

Wixroyd cams are available in a number of different materials; zinc plated steel, stainless steel (AISI 304) and black plastic.

Cam off-set (dimension ch)

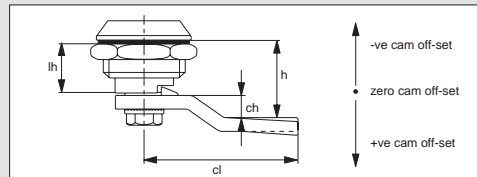
To ensure your cam fully and correctly engages with the frame of your door the correct cam off-set must be selected. A cam off-set can be either negative (-ve) or positive (+ve).

Cam length (dimension cl)

This impacts the reach of the cam to door frame and hence impacts positioning of cam body for installation. Cam length is measured from the centre of the cam fixing hole to the cam's leading edge. Most typically cams are 45 mm in length.

Use formula to calculate ch (required cam off-set), and refer to the cam selection chart.

- ch = h - lh where;
- ch = the required cam off-set/height
- h = grip length (distance between inside of latch face and front of cam).
- lh = body length of cam latch/lock to be used (see example below)



Calculation of correct cam off-set

This is the most important aspect of the selection process.

Example one

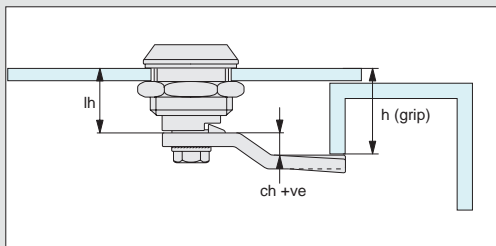
Cam body A1003.AW0010 has been selected for the application. If we refer to the data sheet for this part, suitable cams are parts A0203, A0210 or A0240 - "without projection".

Known application information: h = 26 lh = 18

Therefore; ch = 26 - 18 = +8

Cam off set of +8 is required

Using the data tables for cams A0203, A0210, and A0240 we can select the following cams without projection with an off set of +8; A0203.AW5408 (steel), A0210.AW0428 (stainless) or A0240.AW0108 (three point cam).



Example two

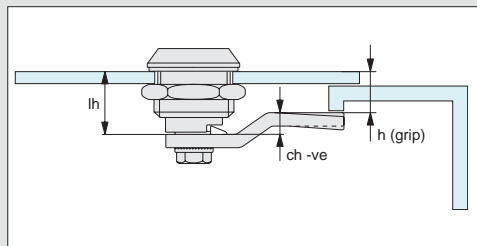
Cam body A1003.AW0010 has been selected for the application. If we refer to the data sheet for this part, suitable cams are parts A0203, A0210 or A0240 - "without projection".

Known application information: h = 14 lh = 18

Therefore; ch = 14 - 18 = - 4

The required cam off set is negative, - 4 as the application's door frame is effectively shorter/lower than the length of the cam body

Using the data tables for cams A0203, A0210 and A0240 we can select the following cam without projection with an off set of - 4; A0203.AW6404 (steel).



Example of calculation of correct cam off-set



Suitable With Projection Cams				
Compatible cam no.	A0261	A0203	A0210	A0240
Cam fitting hole	6 x 6 square 	8 x 8 square 	8 x 8 square 	8 x 8 square
Cam latch / lock no.	A1261 / A1281 / A2390	A2503 / A2504 A2523 / A2528	A2503 / A2504 A2523 / A2528	A2503 / A2504 A2523 / A2528

Suitable Without Projection Cams Table 1				
Compatible cam no.	A0203	A0210	A0240	A0243
Cam fitting hole	8 x 8 square 	8 x 8 square 	8 x 8 square 	8 x 8 square
Cam latch / lock no.	A1003 / A1021 / A1103 A1161 / A1168 / A1181 A1203 / A1210 / A1251 A1601 / A1620 / A1801 A2001 / A2203 / A2326 A2333 / A2392 / A2526 A4221 / A4241 / A4260 B1082 / B1086 / B1088 B1091 / B1092 / B1180 B1281 / B1285 / B1380 B1450 / B2091 / B2181	A1003 / A1021 / A1103 A1161 / A1168 / A1181 A1203 / A1210 / A1251 A1601 / A1620 / A1801 A2001 / A2203 / A2326 A2333 / A2392 / A2526 A4221 / A4241 / A4260 B1082 / B1086 / B1088 B1091 / B1092 / B1180 B1281 / B1285 / B1380 B1450 / B2091 / B2181	A1003 / A1021 / A1103 A1161 / A1168 / A1181 A1203 / A1210 / A1251 A1601 / A1620 / A1801 A2001 / A2203 / A2326 A2333 / A2392 / A2526 A4221 / A4241 / A4260 B1082 / B1086 / B1088 B1091 / B1092 / B1180 B1281 / B1285 / B1380 B1450 / B2091 / B2181	A1003 / A1021 / A1103 A1161 / A1168 / A1181 A1203 / A1210 / A1251 A1601 / A1620 / A1801 A2001 / A2203 / A2326 A2333 / A2392 / A2526 A4221 / A4241 / A4260 B1082 / B1086 / B1088 B1091 / B1092 / B1180 B1281 / B1285 / B1380 B1450 / B2091 / B2181

Suitable Without Projection Cams Table 2					
Compatible cam no.	A0250	A0234	A0215	A0231	A0233
Cam fitting hole	5 x 5 square 	6,3 dia. x 4,9 	7 x 7 square 	8 x 10 dia. 	8 x 10 dia.
Cam latch / lock no.	A4600 / A4620	A1661 / A1667	B2082 / B2084 / B2086 B2088 / B2285 / B2380	A1603 / A1611 A1630 / A1810	A1603 / A1611 A1630 / A1810

Calculation of correct cam off-set

Cam off-set

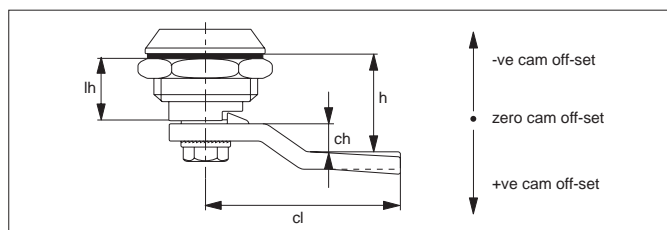
Use the formula to calculate your correct cam off-set:

$$ch = h - lh$$

ch = the required cam off-set.

h = distance between inside of lock face and front of cam (also referred to as "grip length").

lh = length of cam body to be used (refer to individual cam body data sheets).



Cam Off-Set (dimension ch)

To ensure your cam fully and correctly engages with the frame of your door the correct cam off-set must be selected. A cam off-set can be either negative (-ve) or positive (+ve).

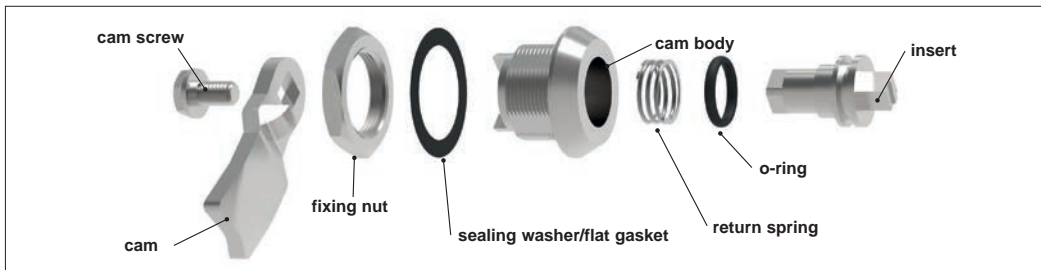
Cam Length (dimension cl)

Impacts reach of the cam to door frame and hence impacts positioning of cam body for installation. Cam length or reach is measured from the centre of the cam fixing hole to the cam's leading edge. Refer to individual cam body datasheets.



Wixroyd Cam Latches

technical specification and advice



Physical and chemical characteristics of polyamide

Physical condition	solid (at 20°C)
Density	> 1,0 g/cm ³
Yield Point	220°C
Smell	No particular smell
Dissolvability in water	Undissolvable
Segregation temperature	> 350°C
Fire Point	>390°C
Auto ignition temperature	> 400°C

Zinc

Zinc Alloy is the most fundamental material for the Wixroyd product range. Housings, inserts, handles, spacers, keys, hinges etc, are all die cast products. The zinc used is a zinc alloy with the following contents (except zinc): Al 4,03% Cu 0,83% as well as minor contents of Mg, Fe, Pb, Cd, Sn and Ni.

RoHS Compliance

Our Cam Latches are RoHS Compliant.



Materials

Plastic - Polyamide

Many of our products are made of injection moulded plastic, normally polyamide. When needed, we add fibreglass to the material, in order to optimise qualities of the product. Examples of products made out of polyamide: handles, housings, rod guides etc.

Degrees of sealing protection

A product classified to an IP rating has either been tested in an independent laboratory, or due to the resemblance of its structure to a tested product, classified as IP.

Important note: We can only guarantee our products correspond to the indicated classification when assembled and used correctly.

IP65 RATED

IP 65: Dust Tight and Jetting Secure. Through the application of an o-ring and a flat gasket, this higher classification can be achieved.

IP54 RATED

IP 54: Dust and Splash Protected. This is the standard classification for our products. Equivalent to NEMA3.

IP ratings

Character	Value	Standard
Density	1,35 g/cm ³	DIN 53479
Hardness	65 Shore A	DIN 53505
Breaking Strain	5 N/mm ²	DIN 53504
Expansion	200%	DIN 53504
Heat & cold resistance	max. 70°C, min. -35°C	

Through the application of a flat gasket between the lock and the door, class IP 65 or NEMA 4 is achieved.

Pressure deformation test			
Time/temp.	Type of test	Standard	Result
22h/100°C	DVR	DIN 53517 A	9%
70h/100°C	DVR	DIN 53517 A	12%

The flat gasket is made out of a mixture of NBR (Nitrile Rubber) and SBR (Styrolbutadiene Rubber). This gives the gasket a satisfactory chemical resistance and a good constancy to oil.

Flat gaskets/ Sealing Washer

Character	Value	Standard
Density	1,240 g/cm ³	DIN 53479
Hardness	71 Shore A	DIN 53505
Breaking strain	14 N/mm ²	DIN 53504
Expansion	280%	DIN 53504
Recoil elasticity	32%	DIN 53512
Heat & cold resistance	max. 120°C, min. -40°C	

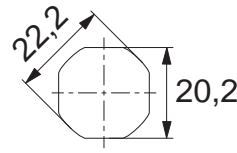
For all O-rings, an NBR material with the following technical characteristics is used.

O Rings

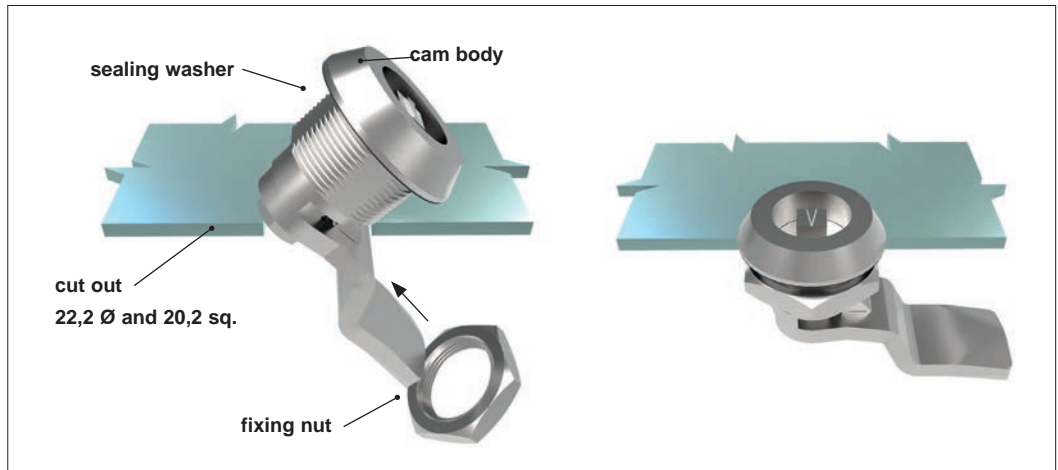


Flexi-system cut out

Our flexi-system is based on a standard installation cut out 22,2 Ø and 20,2 sq.



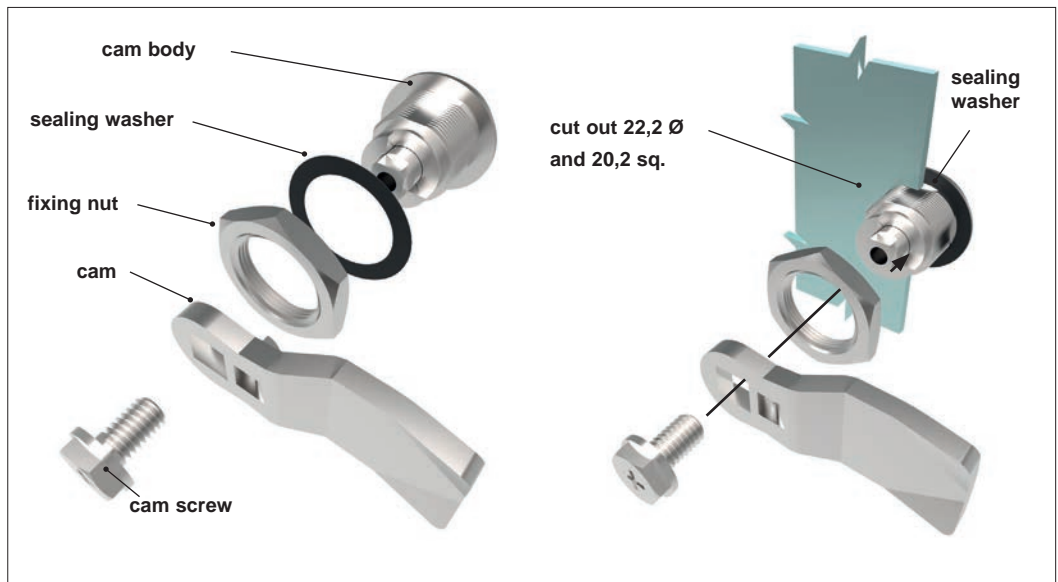
Option 1: Installation when fully assembled



When the cam latch grip (h) is 9mm or more this method is possible:-

1. With the cam body and cam fully assembled, attach the sealing washer to cam body.
2. Tilt the latch 45° and pass it, cam first, through the installation cut out in the panel.
3. When in place attach the fixing nut to the cam body to secure. Tighten to 10 Nm max.

Option 2: Installation unassembled



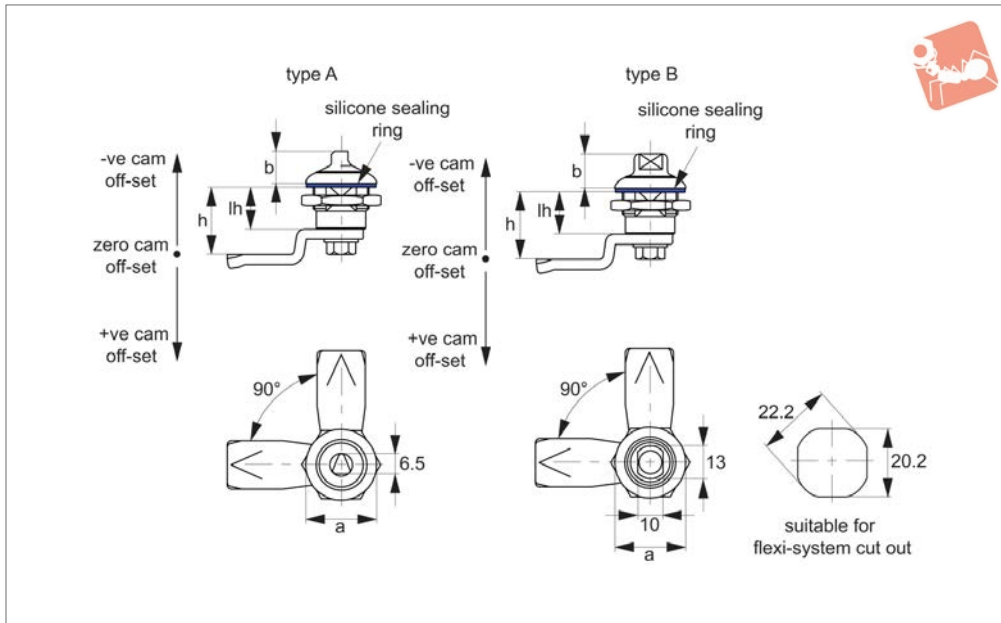
When the cam latch grip (h) is less than 9mm this method is suitable:-

1. Prior to commencing ensure that the cam body, cam, cam screw, fixing nut and sealing washer are completely unassembled.
2. Attach the sealing washer to the cam body and pass through installation cut out in panel.
3. Attach the fixing nut to the cam body to secure. Tighten to 10 Nm max.
4. Attach the cam to the cam body. Once you have ensured that the cam has the correct orientation toward the panel frame, secure the cam screw and tighten to 4 Nm.



Cam Latches - 3A Standard

hygienic line, stainless steel



A1104

CAM LATCHES

Material

Body: Stainless steel AISI304
 Handle: Stainless steel AISI304
 Blue gasket: silicone
 Gaskets provide IP69K rating.

Supplied with: Nut and screw: Stainless steel AISI304

Not Supplied: CAM nor KEY - order separately.

Technical Notes

Order cam and key separately.
 Cams: see suitable cam A0203 (steel) and

A0210 (Stainless Steel)

A0224 and A0240.

Select „without projection“ cam type.

Dimensions ch and cl relate to cam.

Use formula to calculate ch (required cam off-set), and refer to cam selection chart;
 $ch = h - lh$ where;

ch = required cam off-set/height.

H = grip length (distance between inside of latch face and front of cam).

lh = body length of cam latch/lock to be used (see product table below).

Keys: see A0104.

Tips

Made to the high „3A“ standard.

This ensures it meets the high standards required for use in food, beverage, pharmaceutical and medical applications.

Hygienically designed for effective and easy cleaning, corrosion resistant, non-toxic.

Design precludes contamination by dirt, food particles and organic matter.

Order No.	Insert driver	a	b	lh
A1104.AW0010	triangle 7	28	13	18
A1104.AW0110	Stadium	28	13	18