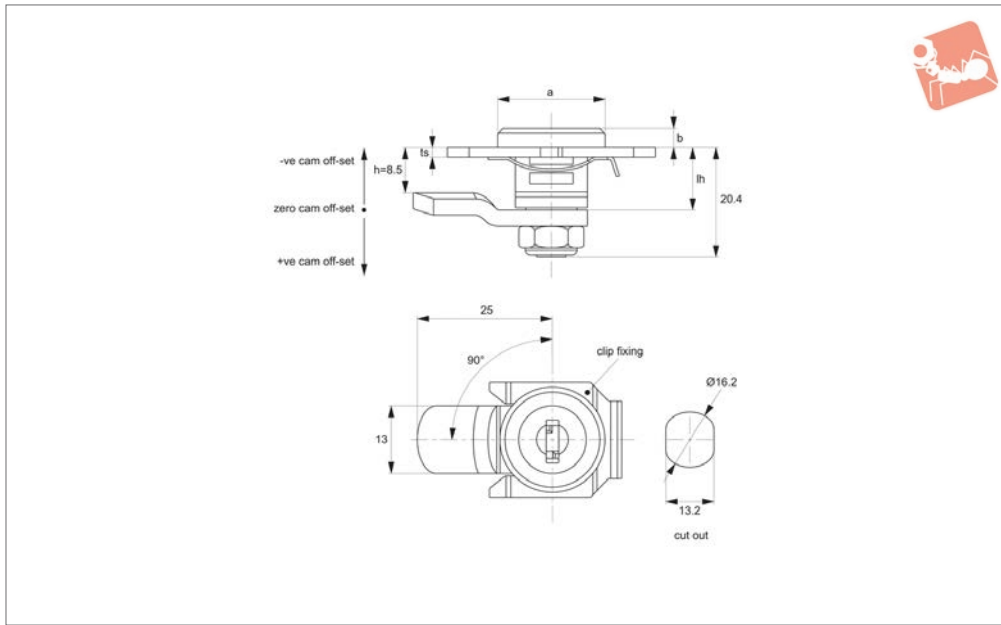




Cam Lock - Clip Fixing

fixed grip - zinc



A2324

CAM LOCKS

Material

Body & insert: die cast zinc, pocked black powder coated.

Supplied with: Keys: two per lock.

Cam: zinc plated steel.

Technical Notes

For panel thickness 1.5-5mm. Dimensions

ch & cl relate to cam. Use formula to calculate ch (required cam off-set), and refer to cam selection chart;

ch = h - lh where;

ch = required cam off-set/ height.

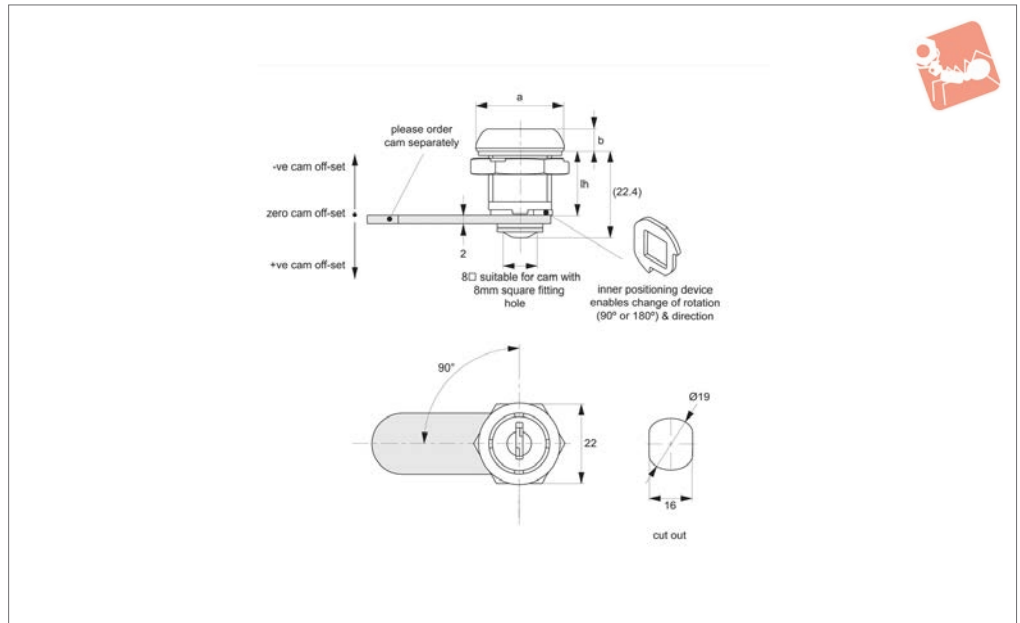
h = grip length (distance between inside of latch face and front of cam).

lh = body length of cam latch/lock to be used (see product table below).

| Order No. | Key type | a | b | lh | ts |
|--------------|-------------|------|-----|------|-------|
| A2324.AW0010 | Keyed Alike | 19.5 | 3.5 | 11.5 | 1,5-5 |



A2326



Material

Body & inset: plastic.
Cap: stainless steel, mirror polished.
Nut: die cast zinc, white zinc plated. Screw: steel, white zinc plated.

Supplied with:

Keys: two per lock.

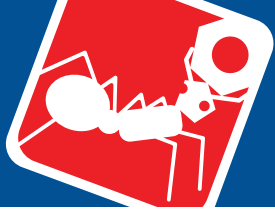
Technical Notes

Order cam separately.
Suitable for use with cam A2326.AW0999

Tips

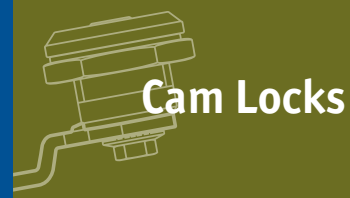
Lock has inner positioning device which can be manipulated to give either 90° or 180° lock rotation, and to can change direction of rotation.

| Order No. | Key type | Rotation | a | b | lh |
|--------------|-------------|----------|------|-----|------|
| A2326.AW0010 | Keyed Alike | 90 | 22.8 | 5.8 | 16.5 |
| A2326.AW0020 | Keyed Alike | 180 | 22.8 | 5.8 | 16.5 |
| A2326.AW0999 | Cam | - | - | - | - |

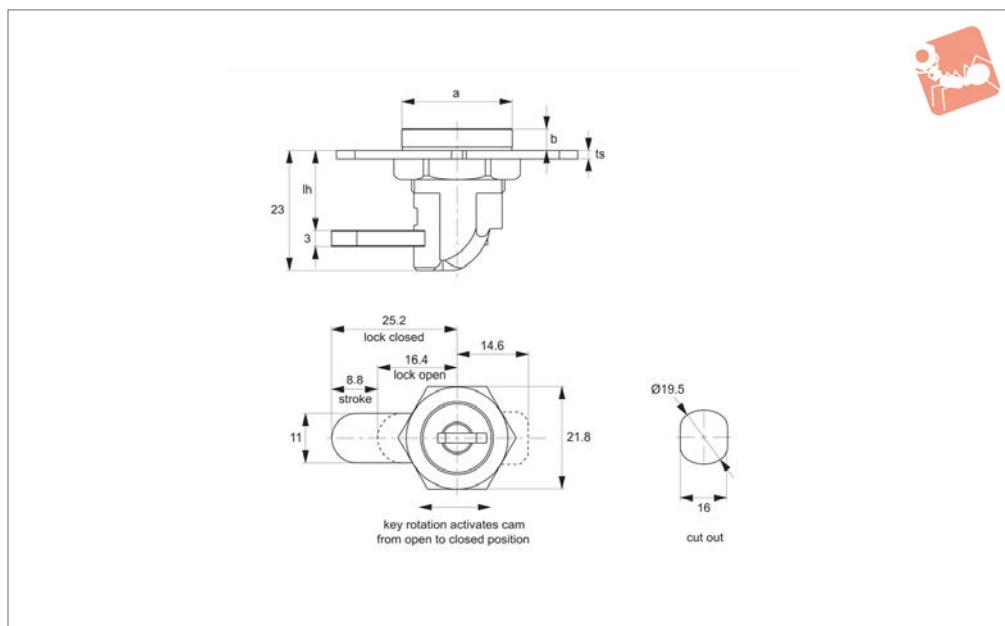


Mini Cam Lock

fixed grip - zinc - extending cam



Cam Locks



A2328

CAM LOCKS

Material

Body & insert: zinc die cast, black painted.

Supplied with: Cam: steel, white zinc plated.

Keys: two supplied per lock.

Tips

Actuation of lock by turning key 180°. The

cam extends to lock and retracts to open. Cam has effective stroke of 8,8mm.

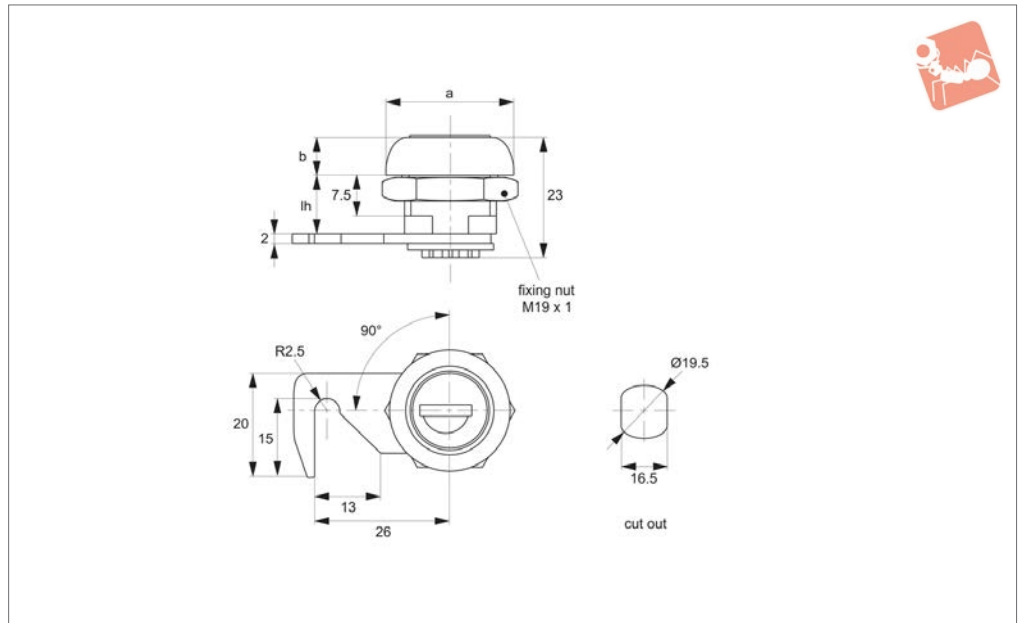
| Order No. | Key type | a | b | lh |
|--------------|-------------|------|---|----|
| A2328.AW0010 | Keyed Alike | 21.6 | 4 | 15 |



CAM LOCKS



A2330



Material

Body: zinc die cast, bright chrome plated.

Supplied with: Cam: steel, white zinc

plated. Keys: supplied two per lock.

to fixed point on frame.

Technical Notes

Hooked cam allows locking by rotation on

| Order No. | Key type | a | b | lh |
|--------------|-----------------|------|-----|----|
| A2330.AW0010 | Keyed Alike | 24.0 | 7.2 | 11 |
| A2330.AW0020 | Keyed to Differ | 24.0 | 7.2 | 11 |

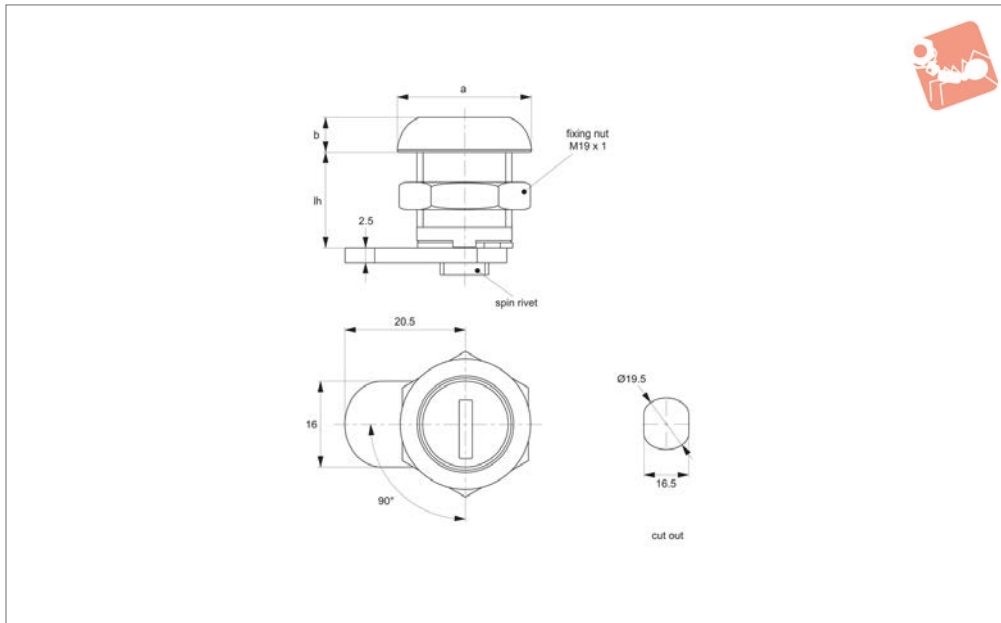


Mini Cam Locks

fixed grip - zinc



Cam Locks



A2331

CAM LOCKS

Material

Body: zinc die cast, white zinc plated.

Supplied with: Cam: steel.

Keys: two per lock.

Tips

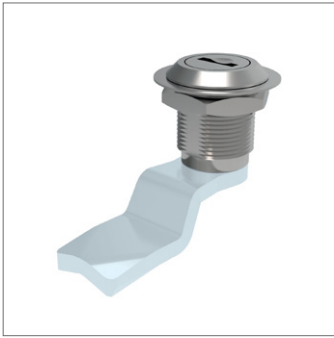
Quarter turn opening or closing. Ideal for

use in metal cabinets, drawers and machinery covers etc.

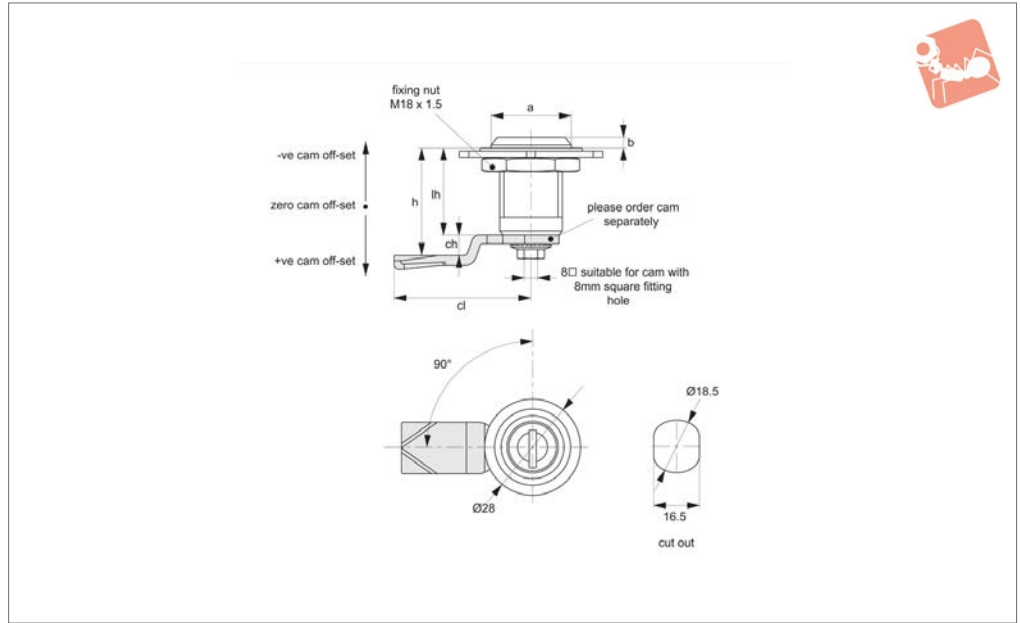
Due to compact size of cam and lock body there is no need to remove cam during installation.

Keyed to differ model has a max. 100 key combinations.

| Order No. | Key type | a | b | lh |
|---------------------|-----------------|------|---|----|
| A2331.AW0010 | Keyed Alike | 23.0 | 6 | 16 |
| A2331.AW0020 | Keyed to Differ | 23.0 | 6 | 16 |



A2333



Material

Body & insert: zinc die cast, bright chrome plated.

Supplied with: Cam: steel, white zinc plated.

Keys: two per lock.

Technical Notes

Order cam separately.

Cams: see suitable cam A0203, A0224 and A0240. Select „without projection“ cam

type.

Dimensions ch and cl relate to cam. Use formula to calculate ch (required cam off-set), and refer to cam selection chart;

$ch = h - lh$ where;

ch = required cam off-set/height.

h = grip length (distance between inside of latch face and front of cam).

lh = body length of cam latch/lock to be used (see product table below).

Rods & Guides: to achieve 3-point latching - A0303, A0321, A0325.

Tips

Quarter turn opening or closing. Ideal for use in metal cabinets, drawers and machinery covers etc.

Due to compact size of cam and lock body there is no need to remove cam during installation.

| Order No. | Key type | a | b | lh |
|--------------|-----------------|------|---|----|
| A2333.AW0010 | Keyed Alike | 22.5 | 3 | 16 |
| A2333.AW0110 | Keyed Alike | 22.5 | 3 | 20 |
| A2333.AW0210 | Keyed Alike | 22.5 | 3 | 30 |
| A2333.AW0120 | Keyed to Differ | 22.5 | 3 | 20 |
| A2333.AW0020 | Keyed to Differ | 22.5 | 3 | 16 |
| A2333.AW0220 | Keyed to Differ | 22.5 | 3 | 30 |

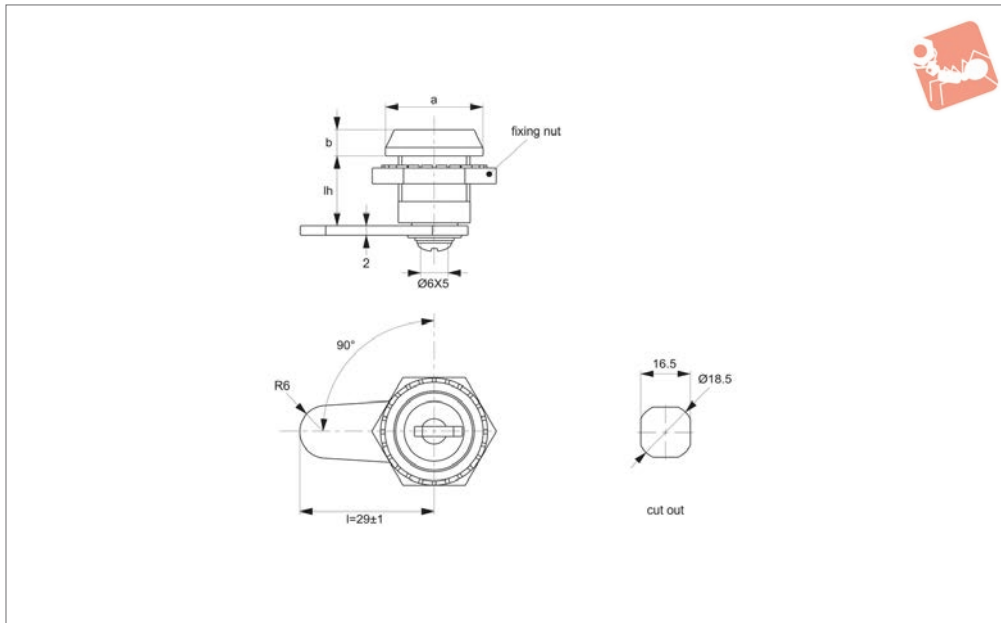


Mini Cam Lock

fixed grip - zinc



Cam Locks



A2340

CAM LOCKS

Material

Body & insert: zinc die cast, bright chrome plated.

Supplied with: Cam: steel, white zinc plated. Keys: two per lock.

Tips

Quarter turn opening or closing. Ideal for use in metal cabinets, drawers and machinery covers etc.

Due to compact size of cam and lock body

there is no need to remove cam during installation.

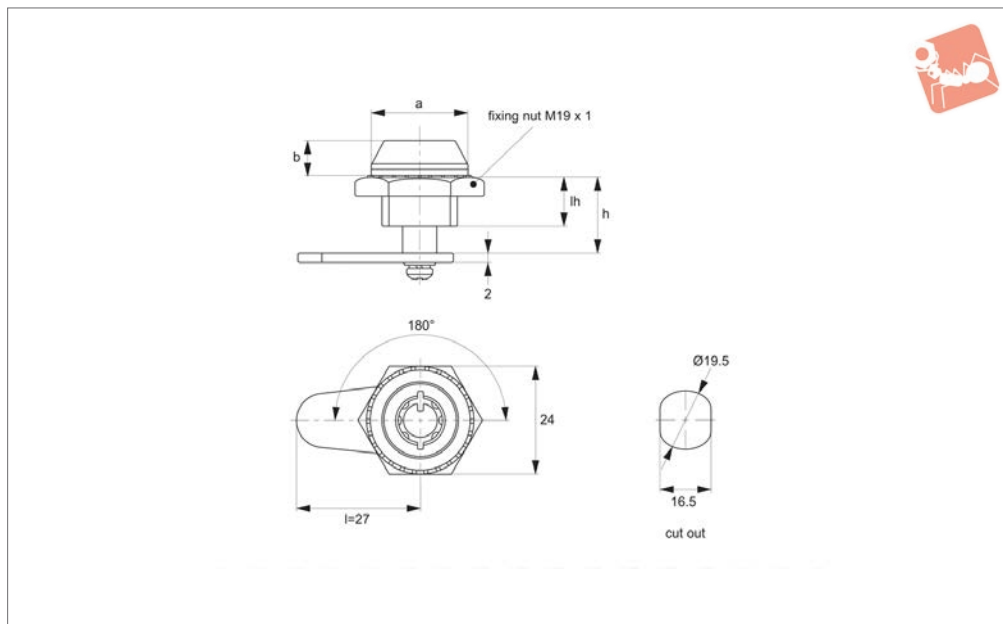
| Order No. | Key type | a | b | lh |
|--------------|-------------|------|---|----|
| A2340.AW0010 | Keyed Alike | 22.0 | 6 | 15 |



CAM LOCKS



A2342



Material

Body & insert: zinc die cast, bright chrome plated.

Supplied with: Cam: steel, white zinc

plated. Keys: two per lock.

key offers extra security.

Tips

180° rotation opening and closing. Radial

| Order No. | Key type | a | b | h | lh |
|--------------|------------|------|-----|----|----|
| A2342.AW0022 | Radial Key | 22.0 | 7.5 | 19 | 13 |

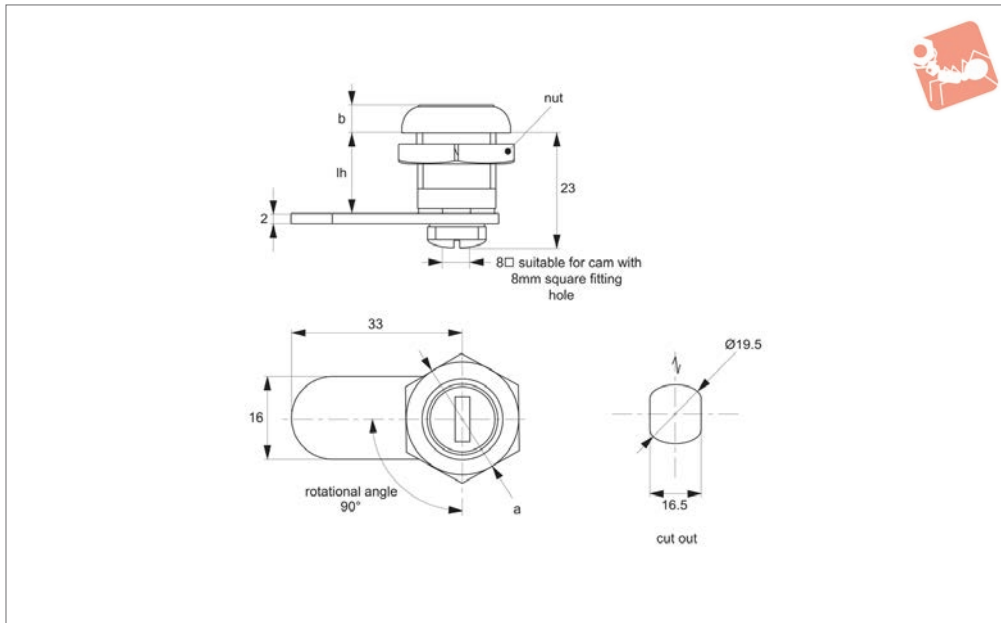


Mini Cam Lock

cam lock - fixed grip



Cam Locks



A2383

CAM LOCKS

Material

Body & insert: die cast zinc, bright chrome plated.

Fixed grip: zinc.

Supplied with: Nuts, Cam and Keys: two per lock.

Tips

Ideal for use in metal cabinets, drawers

and machinery covers etc.

Due to compact size of cam and lock body there is no need to remove cam during installation.

Keyed to differ model has a max. 100 key combinations.

Type Three - 90° key rotation, key non-removable when in unlocked position.

Quarter-turn opening. Locks have dust cover.

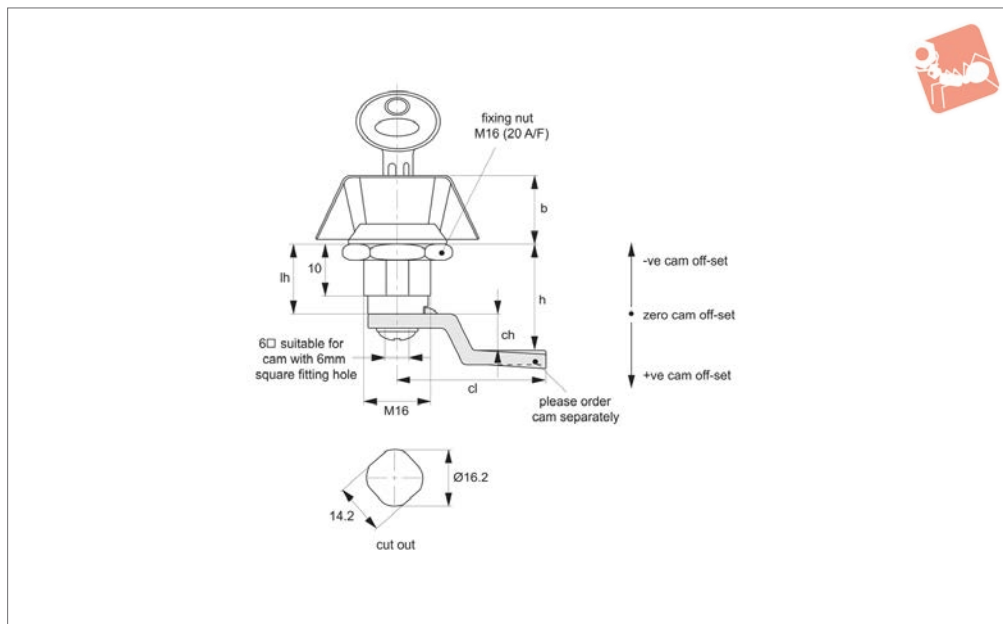
| Order No. | a | b | lh |
|--------------|------|-----|------|
| A2383.AW0010 | 22.0 | 5.5 | 15.5 |



CAM LOCKS



A2390



Material

Black painted ZDC housing and handle, white zinc plated cam.

Supplied with: Keys: two per lock. Nut - steel, zinc plated.

Not supplied: CAM - order separately.

Technical Notes

Order cam separately.

Cams: see suitable cam A0261. Select „with projection“ cam type to prevent cam rotating over 45°.

Dimensions ch and cl relate to cam. Use formula to calculate ch (required cam off-set), and refer to cam selection chart;

ch = h - lh where;

ch = required cam off-set/height.

h = grip length (distance between inside of latch face and front of cam).

lh = body length of cam latch/lock to be used (see product table below).

Important Notes

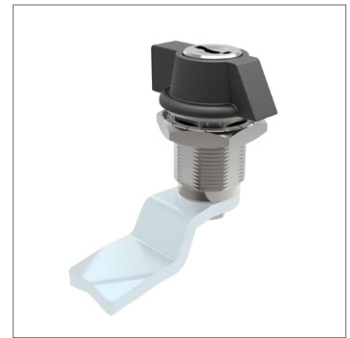
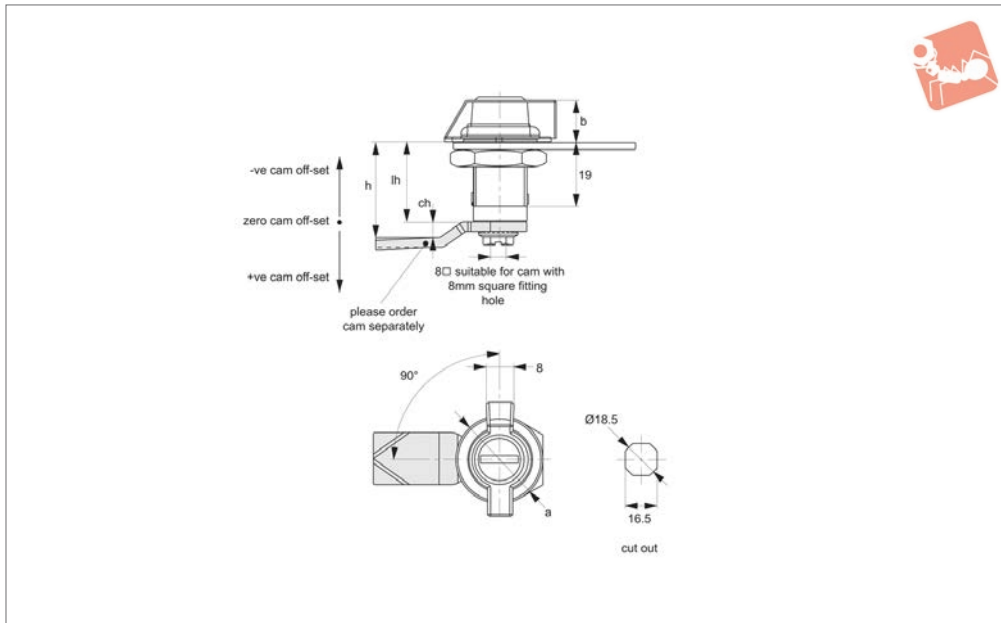
Sold subject to pack quantity.

| Order No. | Key type | Type | Body finish | b | lh |
|--------------|-------------|----------|---------------|------|------|
| A2390.AW0010 | Keyed Alike | Type One | Chrome Plated | 14.5 | 13.0 |
| A2390.AW0020 | Keyed Alike | Type Two | Black Coated | 14.5 | 13.0 |



Mini Cam Locks

wing handle - fixed grip - zinc



A2392

CAM LOCKS

Material

Body & handle: die cast zinc, black coated.

Supplied With: Keys: two per lock.

Not supplied: Cam: order separately.

Technical Notes

Order cam separately.

Cams: see suitable cam A0203, A0224 and

A0240. Select „without projection“ cam type.

Dimensions ch and cl relate to cam. Use formula to calculate ch (required cam off-set), and refer to cam selection chart;

ch = h - lh where;

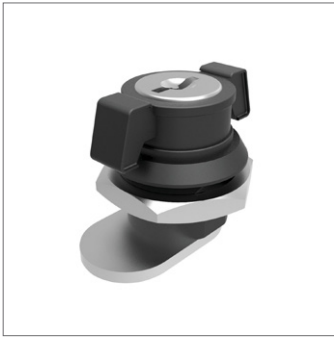
ch = required cam off-set/height.

h = grip length (distance between inside of latch face and front of cam).

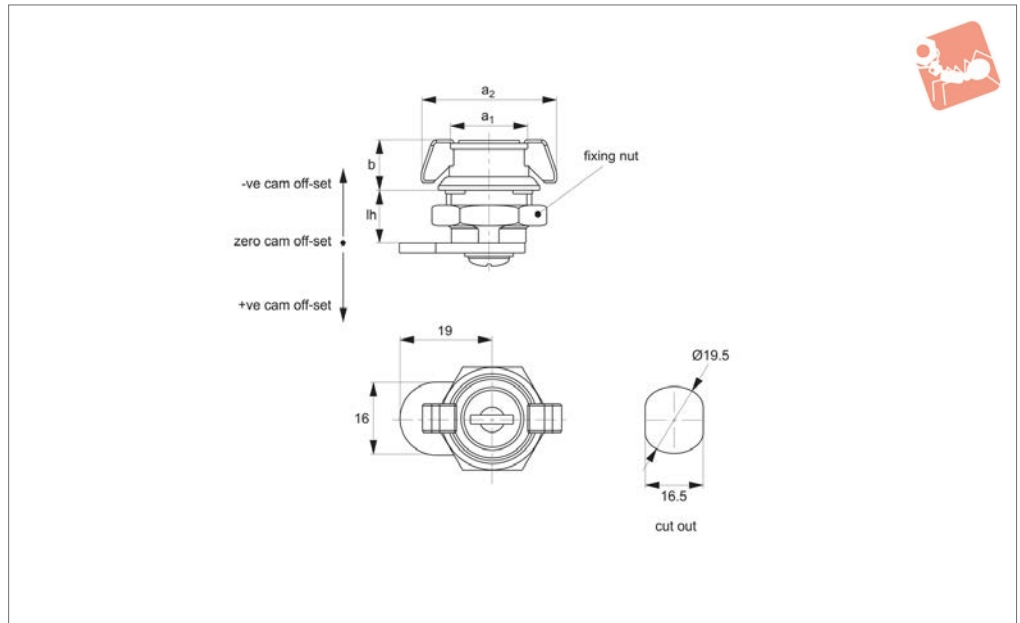
lh = body length of cam latch/lock to be used (see product table below).

Rods & Guides: to achieve 3-point latching - A0303, A0321, A0325.

| Order No. | Key type | a | Body finish | b | lh |
|--------------|-------------|------|---------------|----|----|
| A2392.AW0010 | Keyed Alike | 25.0 | Chrome Plated | 13 | 24 |
| A2392.AW0020 | Keyed Alike | 25.0 | Black Coated | 13 | 24 |



A2393



Material

Housing and insert: die cast zinc.
Cam: steel.

Supplied With: cam and keys.

Tips

Quarter-turn opening or closing. Wing knob acts as grip/handle.

Important Notes

Sold subject to pack qty.

| Order No. | Body finish | a ₁ | a ₂ | b | lh |
|--------------|---------------|----------------|----------------|----|----|
| A2393.AW0010 | Chrome Plated | 17 | 29.5 | 11 | 11 |
| A2393.AW0020 | Black Coated | 17 | 29.5 | 11 | 11 |



Selecting the Correct Cam Latch or Lock

A1004 - A4260

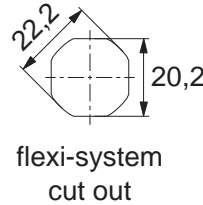
Cam Latches and Locks

When selecting a Wixroyd Cam Latch for your application, you need to answer these questions:

1. Which installation cut out?
2. Which body style?
3. Which locking key?
4. Which accessories?
5. Which cam type and size?

Cut out

All our Flexi-System cam latches use a standard installation cut out 22,2 dia, 20,2 square, for maximum flexibility. We also provide a number of alternative cut out dimensions for legacy/historical installations.



Step 1:
Which installation cut out?

Material and finish

Select from our variety of die cast zinc, polyamide plastic and stainless versions.



Die-cast zinc chrome plate

Die-cast zinc black coated

Polyamide black

Stainless steel

Actuation and locking method

Standard insert driver type, cylinder lock or wing handle type.



Insert driver

Cylinder lock

Wing handle

Number of latching points in application

Typically single point latching is required, but the Wixroyd Flexi-System also provides multi-point latching (typically 3 point - at lock point, top and bottom of cabinet).



Single point

Two point

Multi-point

Step 2:
Which body style?

Standard insert driver keys

Our range of insert driver cam latches require a simple key to actuate. Refer to part A0102 and A0103 for correct keys.



Cylinder locking

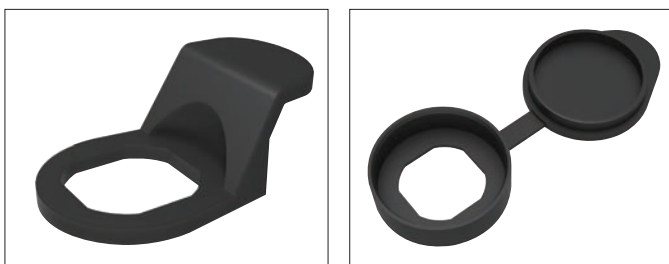
Our cam locks with cylinder locks are supplied with two keys per lock. Available as keyed alike or keyed to differ locks.

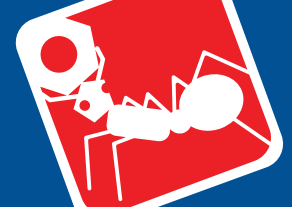


Step 3:
Which locking key?

- Multi-point latching: use our rod set A0303 to A0325 for suitable rods and rod guides.
- Finger pulls: easily installed with any of our flexi-system cam bodies, finger pull no. A0352 is a simple, cost effective handle for your cabinets.
- Dust Cap: to reduce material ingress.

Step 4:
Which accessories?





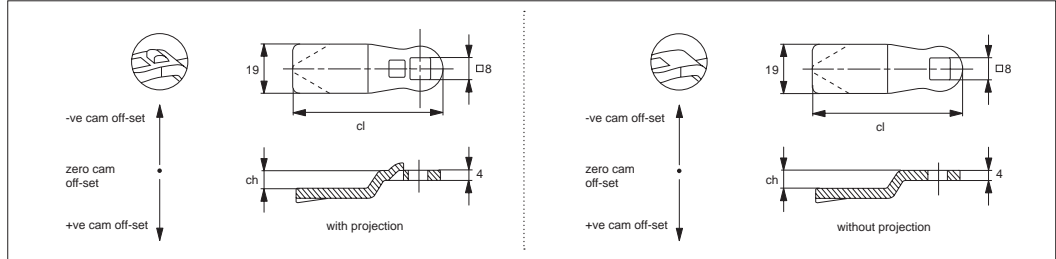
With or without "Projection"

Different cam bodies require cams either with or without projection.

Step 5:

Which cam type and size?

Wixroyd cams are available in a number of different materials; zinc plated steel, stainless steel (AISI 304) and black plastic.



With projection cams prevent turning of the cam over 45° , but is not suited to all cam bodies. For correct projection type please see individual cam body technical pages.

Number of Latching Points

Single point cams are suitable where just single point latching is required. Multi-point cams are for applications requiring 2 or 3 latching points.

Calculation of correct cam off-set

This is the most important aspect of the selection process.

Cam off-set (dimension ch)

To ensure your cam fully and correctly engages with the frame of your door the correct cam off-set must be selected. A cam off-set can be either negative (-ve) or positive (+ve).

Cam length (dimension cl)

This impacts the reach of the cam to door frame and hence impacts positioning of cam body for installation. Cam length is measured from the centre of the cam fixing hole to the cam's leading edge. Most typically cams are 45 mm in length.

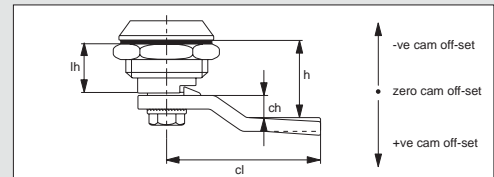
Use formula to calculate ch (required cam off-set), and refer to the cam selection chart.

$$ch = h - lh \text{ where;}$$

ch = the required cam off-set/height

h = grip length (distance between inside of latch face and front of cam).

lh = body length of cam latch/lock to be used (see example below)



Example of calculation of correct cam off-set

Example one

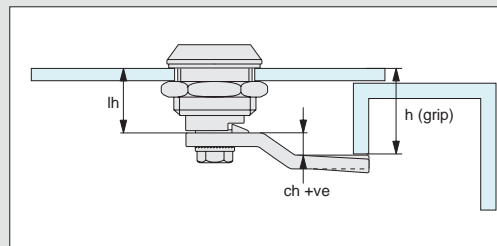
Cam body A1003.AW0010 has been selected for the application. If we refer to the data sheet for this part, suitable cams are parts A0203, A0210 or A0240 - "without projection".

Known application information: $h = 26$ $lh = 18$

Therefore; $ch = 26 - 18 = +8$

Cam off set of +8 is required

Using the data tables for cams A0203, A0210, and A0240 we can select the following cams without projection with an off set of +8; A0203.AW5408 (steel), A0210.AW0428 (stainless) or A0240.AW0108 (three point cam).



Example two

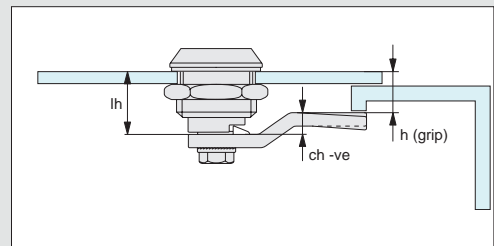
Cam body A1003.AW0010 has been selected for the application. If we refer to the data sheet for this part, suitable cams are parts A0203, A0210 or A0240 - "without projection".

Known application information: $h = 14$ $lh = 18$

Therefore; $ch = 14 - 18 = -4$

The required cam off set is negative, -4 as the application's door frame is effectively shorter/lower than the length of the cam body

Using the data tables for cams A0203, A0210 and A0240 we can select the following cam without projection with an off set of -4; A0203.AW6404 (steel).





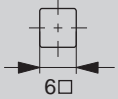
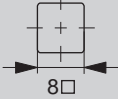
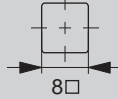
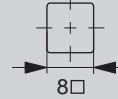
Wixroyd Cam Latches, Locks and Swing Handles

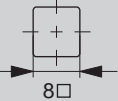
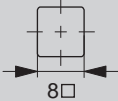
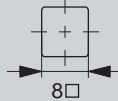
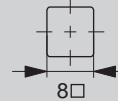
cam selection chart

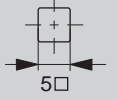
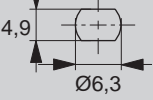
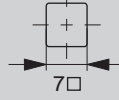
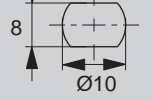
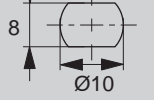


Cam Latches and Locks

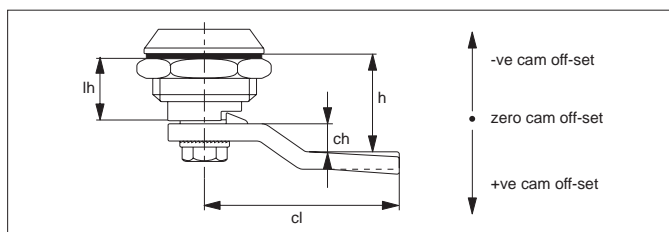
CAM LOCKS

| Suitable With Projection Cams | | | | |
|-------------------------------|---|---|--|---|
| Compatible cam no. | A0261 | A0203 | A0210 | A0240 |
| Cam fitting hole | 6 x 6 square  | 8 x 8 square  | 8 x 8 square  | 8 x 8 square  |
| Cam latch / lock no. | A1261 / A1281 / A2390 | A2503 / A2504 A2523 / A2528 | A2503 / A2504 A2523 / A2528 | A2503 / A2504 A2523 / A2528 |

| Suitable Without Projection Cams Table 1 | | | | |
|--|---|---|---|---|
| Compatible cam no. | A0203 | A0210 | A0240 | A0243 |
| Cam fitting hole | 8 x 8 square  | 8 x 8 square  | 8 x 8 square  | 8 x 8 square  |
| Cam latch / lock no. | A1003 / A1021 / A1103 A1161 / A1168 / A1181 A1203 / A1210 / A1251 A1601 / A1620 / A1801 A2001 / A2203 / A2326 A2333 / A2392 / A2526 A4221 / A4241 / A4260 B1082 / B1086 / B1088 B1091 / B1092 / B1180 B1281 / B1285 / B1380 B1450 / B2091 / B2181 | A1003 / A1021 / A1103 A1161 / A1168 / A1181 A1203 / A1210 / A1251 A1601 / A1620 / A1801 A2001 / A2203 / A2326 A2333 / A2392 / A2526 A4221 / A4241 / A4260 B1082 / B1086 / B1088 B1091 / B1092 / B1180 B1281 / B1285 / B1380 B1450 / B2091 / B2181 | A1003 / A1021 / A1103 A1161 / A1168 / A1181 A1203 / A1210 / A1251 A1601 / A1620 / A1801 A2001 / A2203 / A2326 A2333 / A2392 / A2526 A4221 / A4241 / A4260 B1082 / B1086 / B1088 B1091 / B1092 / B1180 B1281 / B1285 / B1380 B1450 / B2091 / B2181 | A1003 / A1021 / A1103 A1161 / A1168 / A1181 A1203 / A1210 / A1251 A1601 / A1620 / A1801 A2001 / A2203 / A2326 A2333 / A2392 / A2526 A4221 / A4241 / A4260 B1082 / B1086 / B1088 B1091 / B1092 / B1180 B1281 / B1285 / B1380 B1450 / B2091 / B2181 |

| Suitable Without Projection Cams Table 2 | | | | | |
|--|---|---|---|--|--|
| Compatible cam no. | A0250 | A0234 | A0215 | A0231 | A0233 |
| Cam fitting hole | 5 x 5 square  | 6,3 dia. x 4,9  | 7 x 7 square  | 8 x 10 dia.  | 8 x 10 dia.  |
| Cam latch / lock no. | A4600 / A4620 | A1661 / A1667 | B2082 / B2084 / B2086 B2088 / B2285 / B2380 | A1603 / A1611 A1630 / A1810 | A1603 / A1611 A1630 / A1810 |

Calculation of correct cam off-set



Cam off-set

Use the formula to calculate your correct cam off-set:

$$ch = h - lh$$

ch = the required cam off-set.

h = distance between inside of lock face and front of cam (also referred to as "grip length").

lh = length of cam body to be used (refer to individual cam body data sheets).

Cam Off-Set (dimension ch)






To ensure your cam fully and correctly engages with the frame of your door the correct cam off-set must be selected. A cam off-set can be either negative (-ve) or positive (+ve).







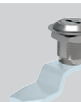


Cam Length (dimension cl)

Impacts reach of the cam to door frame and hence impacts positioning of cam body for installation. Cam length or reach is measured from the centre of the cam fixing hole to the cam's leading edge. Refer to individual cam body datasheets.



CAM LOCKS

| Actuation Method | Body | Finishes | Cam Type | IP Rating | cut out | |
|---|---|--|-----------------------------------|-----------|---------|------|
| | | | | | 16,2 | 13,5 |
| Insert Driver Cylinder Lock Manual/Grip | Die-Cast Zinc Polyamide Plastic Stainless Steel | Chrome Plated Black Coated Natural | With Projection W/O Projection | | | |
| A1661 - Mini Compression Latch - Fixed Grip | | | | | | |
|  | ✓ | 22,5 | ✓ | ✓ | ✓ | 54 |
| Cams: A0234 - Keys: A0102 | | | | | | |
| A1667 - Mini Compression Latch - Wing Handle - Fixed Grip | | | | | | |
|  | ✓ | 22,5 | ✓ | ✓ | ✓ | 54 |
| Cams: A0234 - Keys: N/A | | | | | | |
| Actuation Method | Body | Finishes | Cam Type | IP Rating | cut out | |
| | | | | | 16,2 | 14,2 |
| Insert Driver Cylinder Lock Manual/Grip | Die-Cast Zinc Polyamide Plastic Stainless Steel | Chrome Plated Black Coated Natural | With Projection W/O Projection | | | |
| A1261 - Mini Cam Latch - Fixed Grip | | | | | | |
|  | ✓ | 12,5 | ✓ | ✓ | ✓ | ✓ |
| Cams: A0261 - Keys: A0102 | | | | | | |
| A1281 - Mini Cam Latch - Wing Handle - Fixed Grip | | | | | | |
|  | ✓ | 12,5 | ✓ | ✓ | ✓ | ✓ |
| Cams: A0261 - Keys: N/A | | | | | | |
| A2390 - Mini Cam Lock - Wing Handle - Fixed Grip | | | | | | |
|  | ✓ | 13 | ✓ | ✓ | ✓ | ✓ |
| Cams: A0261 - Keys: Supplied | | | | | | |

| Actuation Method | Body | Finishes | Cam Type | IP Rating | cut out | |
|---|---|--|-----------------------------------|-----------|---------|------|
| | | | | | Ø19 | 16 |
| Insert Driver Cylinder Lock Manual/Grip | Die-Cast Zinc Polyamide Plastic Stainless Steel | Chrome Plated Black Coated Natural | With Projection W/O Projection | | | |
| A2326 - Mini Cam Lock - Fixed Grip | | | | | | |
|  | ✓ | 16,5 | ✓ | ✓ | ✓ | ✓ |
| Cams: Supplied - Keys: Supplied | | | | | | |
| A2328 - Mini Cam Lock - Fixed Grip | | | | | | |
|  | ✓ | 15 | ✓ | ✓ | ✓ | ✓ |
| Cams: N/A - Keys: Supplied | | | | | | |
| A2330 - Mini Cam Lock - Fixed Grip | | | | | | |
|  | ✓ | 11 | ✓ | ✓ | ✓ | ✓ |
| Cams: Supplied - Keys: Supplied | | | | | | |
| A2331 - Mini Cam Lock - Fixed Grip | | | | | | |
|  | ✓ | 16 | ✓ | ✓ | ✓ | ✓ |
| Cams: Supplied - Keys: Supplied | | | | | | |
| A2342 - Mini Cam Lock - Fixed Grip - Radial Key | | | | | | |
|  | ✓ | 13 | ✓ | ✓ | ✓ | ✓ |
| Cams: Supplied - Keys: Supplied | | | | | | |
| A2393 - Mini Cam Lock - Wing Handle - Fixed Grip | | | | | | |
|  | ✓ | 11 | ✓ | ✓ | ✓ | ✓ |
| Cams: Supplied - Keys: Supplied | | | | | | |
| Actuation Method | Body | Finishes | Cam Type | IP Rating | cut out | |
| | | | | | Ø18,5 | 16,5 |
| Insert Driver Cylinder Lock Manual/Grip | Die-Cast Zinc Polyamide Plastic Stainless Steel | Chrome Plated Black Coated Natural | With Projection W/O Projection | | | |
| A2333 - Mini Cam Lock - Fixed Grip | | | | | | |
|  | ✓ | Various | ✓ | ✓ | ✓ | ✓ |
| Cams: A0203, A0224, A0240 - Keys: Supplied | | | | | | |
| A2340 - Mini Cam Lock - Fixed Grip | | | | | | |
|  | ✓ | 15 | ✓ | ✓ | ✓ | ✓ |
| Cams: Supplied - Keys: Supplied | | | | | | |
| A2392 - Mini Cam Lock - Wing Handle - Fixed Grip | | | | | | |
|  | ✓ | 24 | ✓ | ✓ | ✓ | ✓ |
| Cams: A0203, A0224, A0240 - Keys: Supplied | | | | | | |

