

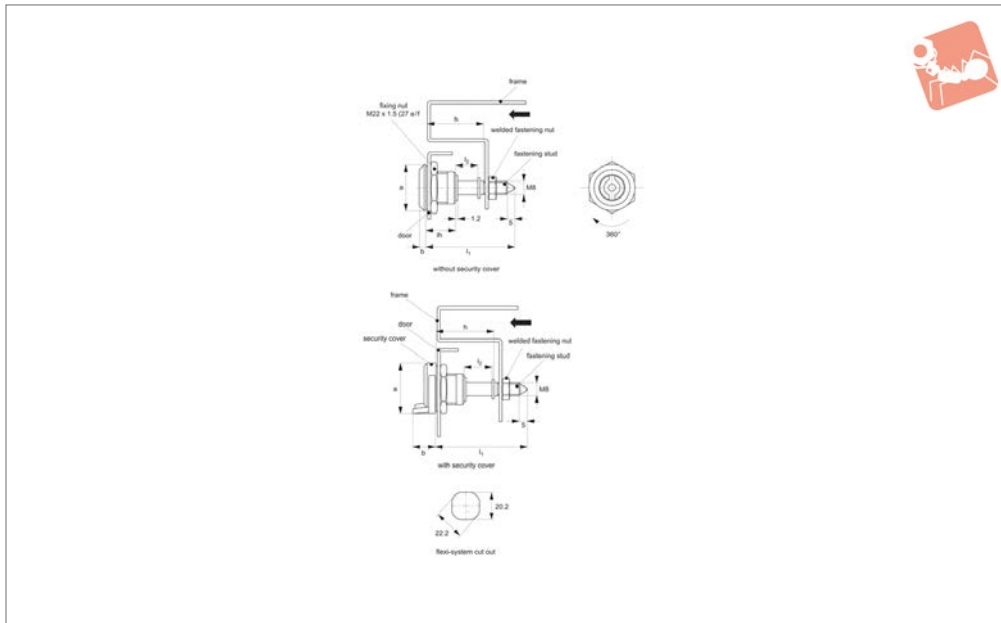


Compression Latch - Flexi System

insert driver - fixed grip - zinc



Compression Latches



A1580

COMPRESSION LATCHES

Material

Body: die cast zinc, bright chrome plated.
Insert: steel.

Not supplied: KEY - order separately.

Technical Notes

Order key separately.

Keys: see A0102.AW0060.

Insert driver compression latch enabling tight securing of enclosure door. Via welding a fastening nut (M 8) to the enclosure frame the fastening stud can be engaged and turned until the enclosure door is adequately tightened and secured (use triangle 7 key A0102.AW0060 to activate driver).

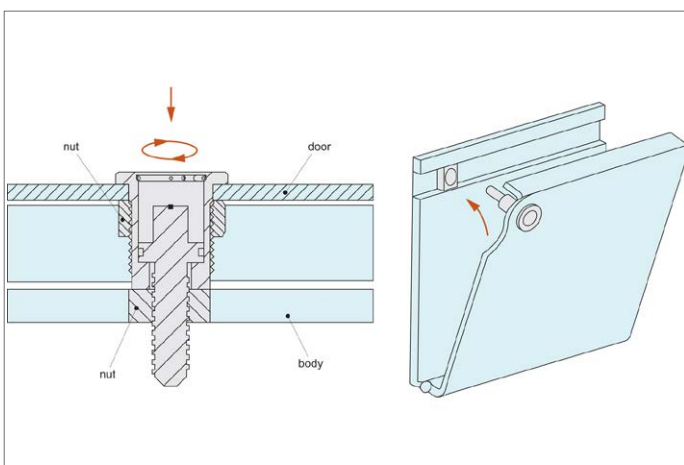
vate driver).

Tips

Security cover type can be secured with wire or cable tie for tamper evident security.

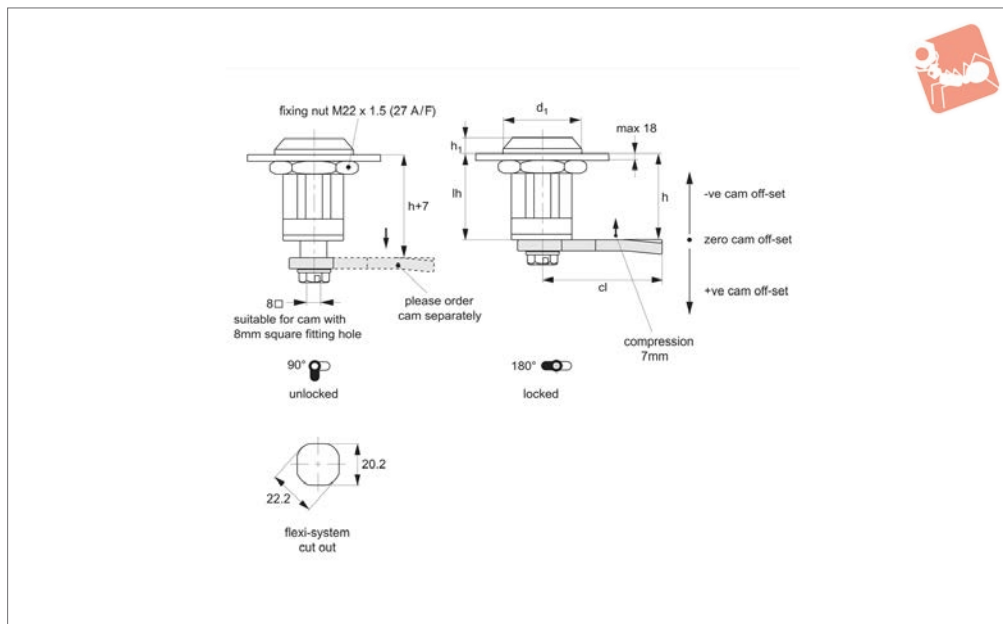
h = grip length.

Order No.	Insert type	Lock type	a	b	lh	l ₁	l ₂	h
A1580.AW0023	Triangle 7	W/o Security Cover	28	4	18	40	2.5	23
A1580.AW0028	Triangle 7	W/o Security Cover	28	4	18	46	7.5	28
A1580.AW0034	Triangle 7	W/o Security Cover	28	4	18	54	13.5	34
A1580.AW0223	Triangle 7	With Security Cover	29	13	18	40	2.5	23
A1580.AW0228	Triangle 7	With Security Cover	29	13	18	46	7.5	28
A1580.AW0234	Triangle 7	With Security Cover	29	13	18	54	13.5	34





A1601



Material

Body & insert: die cast zinc, finished in chrome plate or black powder coating. Insert fitted with O'ring to provide IP54 rating.

Handle: polyamide.

Not supplied: CAM nor KEY - order separately.

Technical Notes

Order cam and key separately.

Cams: see suitable cam A0203 and A0224.

Select „without projection“ cam type.

Dimensions ch and cl relate to cam. Use formula to calculate ch (required cam off-set), and refer to cam selection chart;

$ch = h - lh$ where;

ch = required cam off-set/height.

h = grip length (distance between inside of latch face and front of cam).

lh = body length of cam latch/lock to be used (see product table below).

Keys: see A0102.

Tips

Compression locks provide sealing of enclosures to reduce vibration and to provide noise isolation.

Action:

From unlocked position, first 90° turn moves the cam to the locking position. Turn lock 180° to engage compression, cam moves to final fixing position.

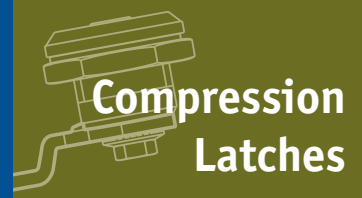
Provides a 7mm compression stroke.

Order No.	Finish	Insert driver	d_1	h_1	lh
A1601.AW0020	Chrome Plated	Square 8	28	5.5	31
A1601.AW0320	Black Coated	Square 8	28	5.5	31
A1601.AW0040	Chrome Plated	Triangle 7	28	5.5	31
A1601.AW0340	Black Coated	Triangle 7	28	5.5	31
A1601.AW0050	Chrome Plated	Triangle 8	28	5.5	31
A1601.AW0350	Black Coated	Triangle 8	28	5.5	31
A1601.AW0080	Chrome Plated	Slot (2x4)	28	5.5	31
A1601.AW0380	Black Coated	Slot (2x4)	28	5.5	31
A1601.AW0085	Chrome Plated	Hexagon 8	28	5.5	31
A1601.AW0385	Black Coated	Hexagon 8	28	5.5	31

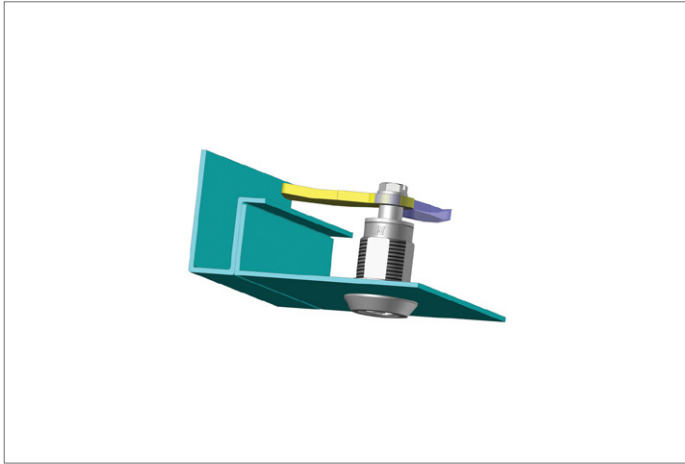


Compression Latches - Flexi-System

insert driver - fixed grip - zinc



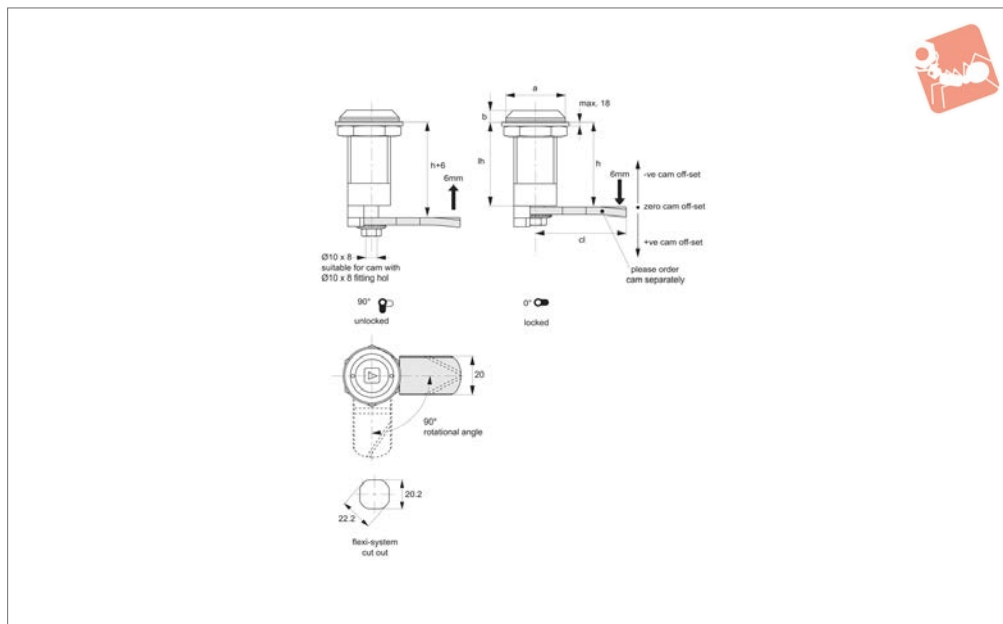
Compression Latches



COMPRESSION LATCHES



A1603



Material

Body & insert: stainless steel, AISI 304.
Insert fitted with O'ring to provide IP54 rating.

Shaft: steel, white zinc plated.

Not supplied: KEY - order separately.

Technical Notes

Order cam and key separately.

Cams: see suitable cam A0231 and A0233.

Select „without projection“ cam type.

Dimensions ch and cl relate to cam. Use

formula to calculate ch (required cam off-set), and refer to cam selection chart;

ch = h - lh where;

ch = required cam off-set/height.

h = grip length (distance between inside of latch face and front of cam).

lh = body length of cam latch/lock to be used (see product table below).

Keys: see A0102.

Tips

Compression locks provide sealing of

enclosures to reduce vibration and to provide noise isolation.

Action:

From unlocked position, first 90° turn moves the cam to the locking position. Turn lock 180° to engage compression, cam moves to final fixing position.

Provides a 6mm compression stroke.

Order No.	Insert driver	Type	a	b	lh
A1603.AW0020	Square 8	Fixed Grip	28	5	38
A1603.AW0050	Triangle 8	Fixed Grip	28	5	38



Wixroyd Cam and Compression Latches

flexi-system cut out product selection charts

Cam Latches and Locks

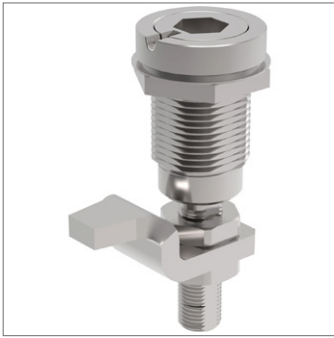


flexi-system cut out 	Actuation Method			Body length (mm)	Body			Finishes			Cam Type		IP Rating
	Insert Driver	Cylinder Lock	Manual/Grip		Die-Cast Zinc	Polyamide Plastic	Stainless Steel	Chrome Plated	Black Coated	Natural	With Projection	W/O Projection	
A1003 - Cam Latch - Fixed Grip 	✓			18	✓			✓	✓			✓	54
Cams: A0203, A0224, A0240 - Keys: A0102													
A1021 - Cam Latch - Fixed Grip 	✓			18	✓					✓		✓	54
Cams: A0203, A0224, A0240 - Keys: A0102													
A1041 - Cam Latch - Push-to-Close - Fixed Grip 	✓			18	✓			✓					
Cams: Supplied - Keys: A0102													
A1103 - Cam Latch - Fixed Grip 	✓			18		✓				✓		✓	54
Cams: A0210 - Keys: A0102													
A1161 - Cam Latch - Padlockable - Fixed Grip 		✓		18	✓			✓	✓			✓	
Cams: A0203, A0224, A0240 - Keys: Padlockable													
A1168 - Cam Latch - Dust Proof Cap - Fixed Grip 	✓			18	✓			✓				✓	54
Cams: A0203, A0224, A0240 - Keys: A0102													
A1181 - Cam Latch - Wing Handle - Fixed Grip 			✓	18,5	✓	✓		✓	✓	✓		✓	
Cams: A0203, A0224, A0240 - Keys: N/A													

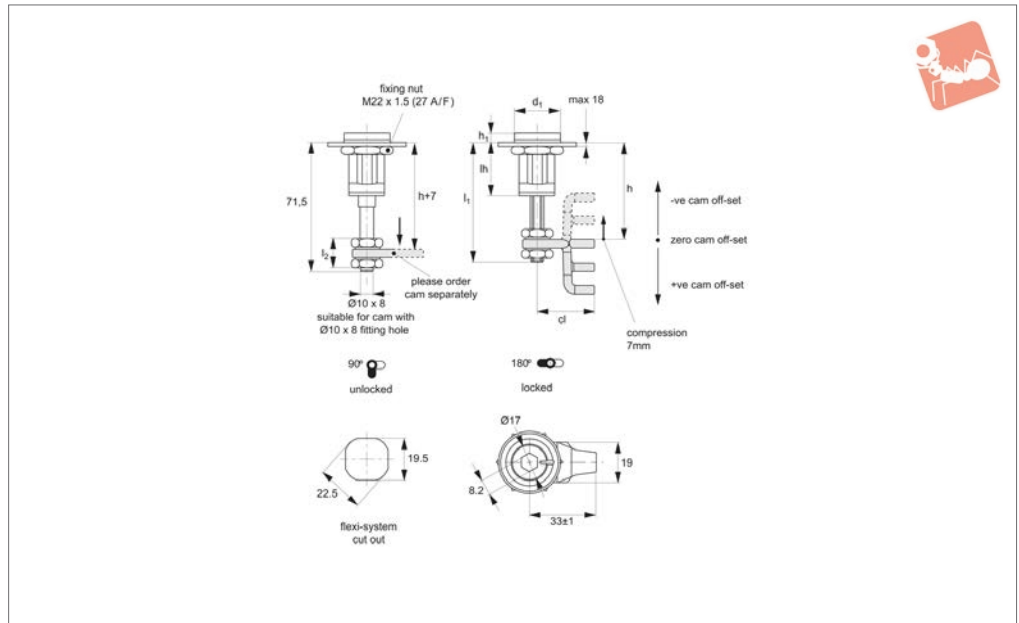
flexi-system cut out 	Actuation Method			Body length (mm)	Body			Finishes			Cam Type		IP Rating
	Insert Driver	Cylinder Lock	Manual/Grip		Die-Cast Zinc	Polyamide Plastic	Stainless Steel	Chrome Plated	Black Coated	Natural	With Projection	W/O Projection	
A1203 - Cam Latch - Finger Handle - Fixed Grip 		✓		Various	✓					✓	✓	✓	
Cams: A0203, A0224, A0240 - Keys: N/A													
A1210 - Cam Latch - Tamper Evident 		✓		20	✓					✓		✓	
Cams: A0203, A0224, A0240 - Keys: N/A													
A1241 - Cam Latch - Stepped Grip 	✓			Various	✓					✓			65
Cams: Supplied - Keys: A0102													
A1251 - Cam Latch - Fixed Extended Body 	✓			Various	✓					✓		✓	54
Cams: A0203, A0224, A0240 - Keys: A0102													
A1580 - Compression Latch - Fixed Grip 		✓		18	✓					✓			
Cams: N/A - Keys: A0102													
A1601 - Compression Latch - Fixed Grip 	✓			31	✓					✓	✓	✓	54
Cams: A0203, A0224 - Keys: A0102													
A1603 - Compression Latch - Fixed Grip 	✓			38	✓					✓		✓	54
Cams: A0231, A0233 - Keys: A0102													

COMPRESSION LATCHES

ov-WA1003-A-TCC0400-WA1251-A-TCC0460-cam-compression-latches-product-selection-chart-a-rmh-Updated-27-10-2022



A1611



Material

Body & insert: die cast zinc, chrome plate or black coated finish. Insert fitted with O'ring to provide IP54 rating.

Handle: polyamide.

Not supplied: CAM nor KEY - order separately.

Technical Notes

Order cam and key separately.

Cams: see suitable cam A0231 and A0233.

Select „without projection“ cam type.

Dimensions ch and cl relate to cam. Use

formula to calculate ch (required cam off-set), and refer to cam selection chart;

ch = h - lh where;

ch = required cam off-set/height.

h = grip length (distance between inside of latch face and front of cam).

lh = body length of cam latch/lock to be used (see product table below).

Keys: see A0102.

Tips

Compression locks provide sealing of enclosures to reduce vibration and to

provide noise isolation. Adjustable grip type has an extended stem which can be cut in length to best suit your application.

Action:

From unlocked position, first 90° turn moves the cam to the locking position. Turn lock 180° to engage compression, cam moves to final fixing position.

Provides a 7mm compression stroke.

Important Notes

Cam: quarter turn to open or close. Locking function.

Order No.	Finish	Insert driver	d ₁	h ₁	lh	l ₁	l ₂ useful thread
A1611.AW0020	Chrome Plated	Square 8	28	4.5	32	64.5	15
A1611.AW0320	Black Coated	Square 8	28	4.5	32	64.5	15
A1611.AW0040	Chrome Plated	Triangle 7	28	4.5	32	64.5	15
A1611.AW0340	Black Coated	Triangle 7	28	4.5	32	64.5	15
A1611.AW0050	Chrome Plated	Triangle 8	28	4.5	32	64.5	15
A1611.AW0350	Black Coated	Triangle 8	28	4.5	32	64.5	15
A1611.AW0080	Chrome Plated	Slot (2x4)	28	4.5	32	64.5	15
A1611.AW0380	Black Coated	Slot (2x4)	28	4.5	32	64.5	15
A1611.AW0085	Chrome Plated	Hexagon 8	28	4.5	32	64.5	15
A1611.AW0385	Black Coated	Hexagon 8	28	5.5	31	64.5	15



Flexi-System

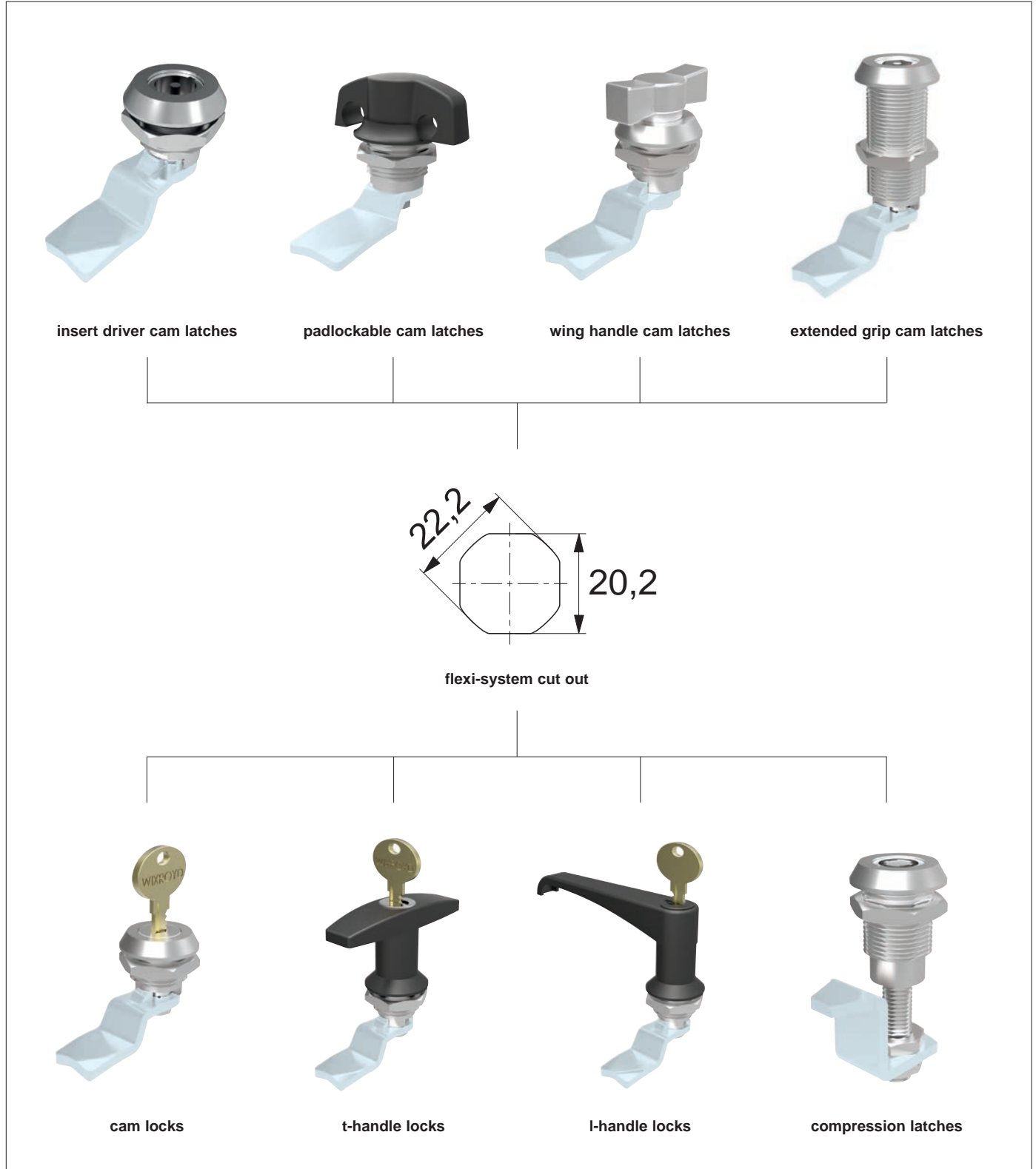
at the core of all your cam latch requirements



Cam Latches and Locks

All our cam latches use a standard cut out dimension of 22,2 Ø and 20,2 square which accommodates many industry standards. Flexi-System parts are fully interchangeable, providing a completely flexible hardware system including two or three point latching systems.

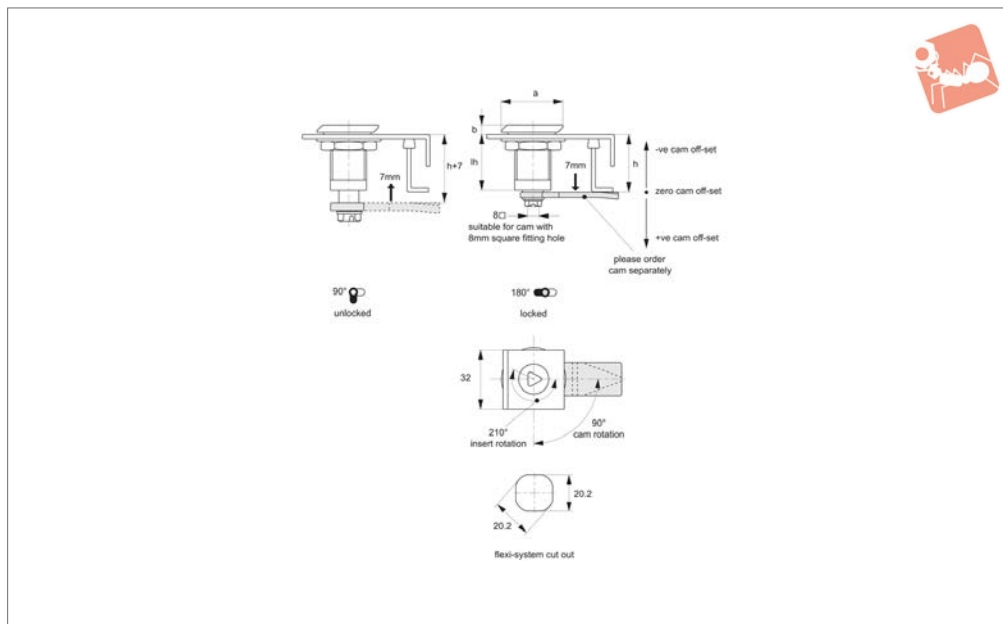
Flexi-system



ov-WA1003-A-TCC0400-WA2503-A-TCC2200-flexi-system-cam-latch-requirements-rnh- Updated -26-10-2022



A1620



Material

Body & insert: die cast zinc, black powder coated. Fitted with O'ring to provide IP54 rating.

Not supplied: CAM nor KEY - order separately.

Technical Notes

Order cam and key separately.

Cams: see suitable cam A0203 and A0224.

Select „without projection“ cam type. Dimensions ch and cl relate to cam. Use formula to calculate ch (required cam off-set), and refer to cam selection chart;

ch = h - lh where;

ch = required cam off-set/height.

h = grip length (distance between inside of

latch face and front of cam).

lh = body length of cam/lock to be used (see product table below).

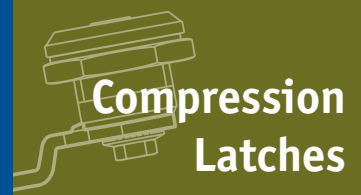
Keys: see A0102.

Order No.	Insert driver	Type	a	b	lh
A1620.AW0020	Square 8	Fixed	34	5	32
A1620.AW0040	Triangle 7	Fixed	34	5	32
A1620.AW0050	Triangle 8	Fixed	34	5	32
A1620.AW0080	Slot (2x4)	Fixed	34	5	32
A1620.AW0085	Hexagon 8	Fixed	34	5	32

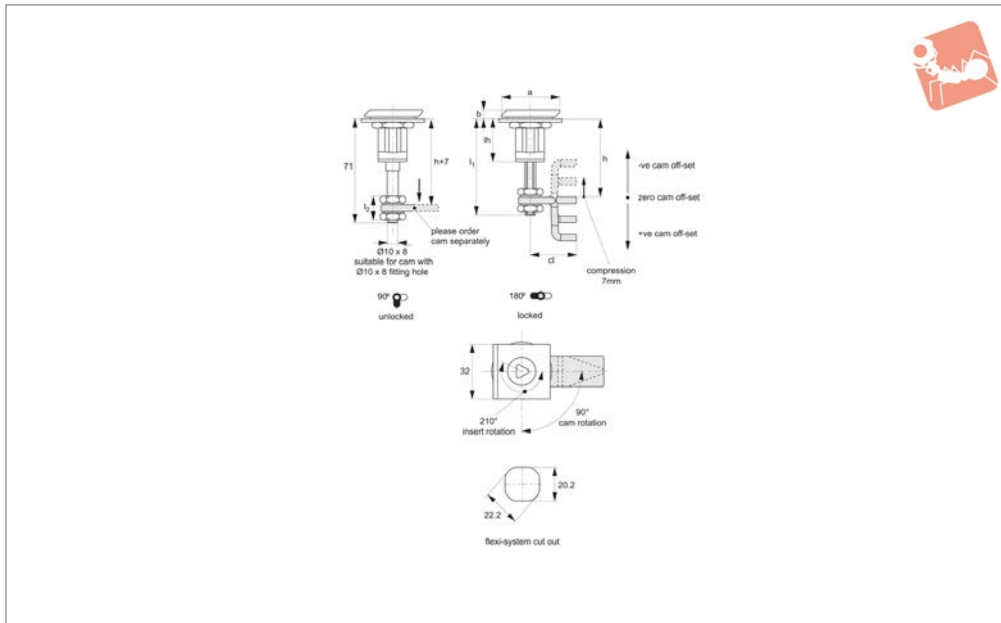


Compression Latches - Flexi-System

square face - adjustable grip - zinc



Compression Latches



A1630

COMPRESSION LATCHES

Material

Body & insert: die cast zinc, black powder coated. Fitted with O'ring to provide IP54 rating.

Not supplied: CAM nor KEY - order separately.

Technical Notes

Order cam and key separately.

Cams: see suitable cam A0231 and A0233. Select „without projection“ cam type.

Dimensions ch and cl relate to cam. Use formula to calculate ch (required cam off-set), and refer to cam selection chart;

ch = h - lh where;

ch = required cam off-set/height.

h = grip length (distance between inside of

latch face and front of cam).

lh = body length of cam latch/lock to be used (see product table below).

Keys: see A0102.

Order No.	Insert driver	Type	a	b	lh	l ₁	l ₂ useful thread
A1630.AW0020	Square 8	Adjustable	34	5	64	38	15
A1630.AW0040	Triangle 7	Adjustable	34	5	64	38	15
A1630.AW0050	Triangle 8	Adjustable	34	5	64	38	15
A1630.AW0080	Slot (2x4)	Adjustable	34	5	64	38	15
A1630.AW0085	Hexagon 8	Adjustable	34	5	64	38	15



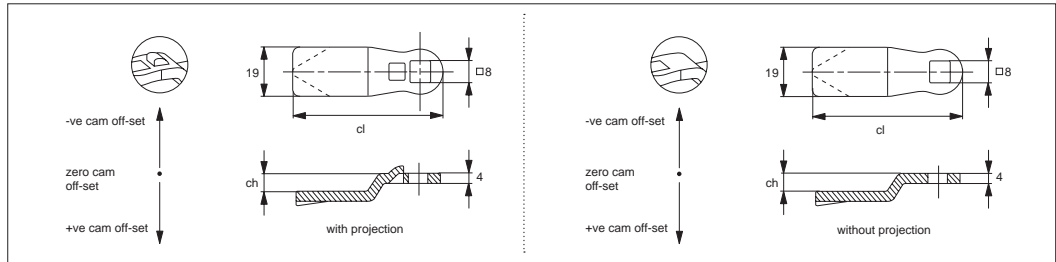
With or without "Projection"

Different cam bodies require cams either with or without projection.

Step 5:

Which cam type and size?

Wixroyd cams are available in a number of different materials; zinc plated steel, stainless steel (AISI 304) and black plastic.



With projection cams prevent turning of the cam over 45° , but is not suited to all cam bodies. For correct projection type please see individual cam body technical pages.

Number of Latching Points

Single point cams are suitable where just single point latching is required. Multi-point cams are for applications requiring 2 or 3 latching points.

Calculation of correct cam off-set

This is the most important aspect of the selection process.

Cam off-set (dimension ch)

To ensure your cam fully and correctly engages with the frame of your door the correct cam off-set must be selected. A cam off-set can be either negative (-ve) or positive (+ve).

Cam length (dimension cl)

This impacts the reach of the cam to door frame and hence impacts positioning of cam body for installation. Cam length is measured from the centre of the cam fixing hole to the cam's leading edge. Most typically cams are 45 mm in length.

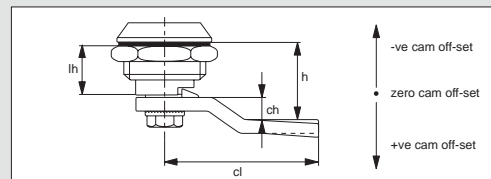
Use formula to calculate ch (required cam off-set), and refer to the cam selection chart.

$$ch = h - lh \text{ where;}$$

ch = the required cam off-set/height

h = grip length (distance between inside of latch face and front of cam).

lh = body length of cam latch/lock to be used (see example below)



Example of calculation of correct cam off-set

Example one

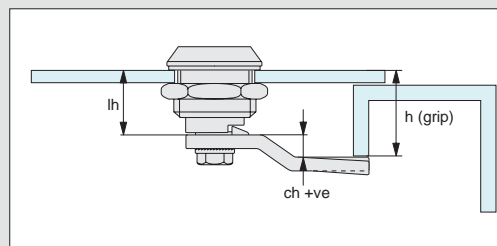
Cam body A1003.AW0010 has been selected for the application. If we refer to the data sheet for this part, suitable cams are parts A0203, A0210 or A0240 - "without projection".

Known application information: $h = 26$ $lh = 18$

Therefore; $ch = 26 - 18 = +8$

Cam off set of +8 is required

Using the data tables for cams A0203, A0210, and A0240 we can select the following cams without projection with an off set of +8; A0203.AW5408 (steel), A0210.AW0428 (stainless) or A0240.AW0108 (three point cam).



Example two

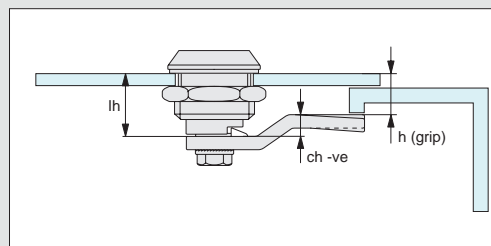
Cam body A1003.AW0010 has been selected for the application. If we refer to the data sheet for this part, suitable cams are parts A0203, A0210 or A0240 - "without projection".

Known application information: $h = 14$ $lh = 18$

Therefore; $ch = 14 - 18 = -4$

The required cam off set is negative, -4 as the application's door frame is effectively shorter/lower than the length of the cam body

Using the data tables for cams A0203, A0210 and A0240 we can select the following cam without projection with an off set of -4; A0203.AW6404 (steel).





Wixroyd Cam Latches, Locks and Swing Handles

cam selection chart



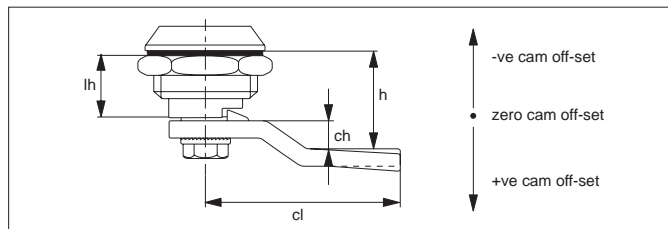
COMPRESSION LATCHES

Suitable With Projection Cams				
Compatible cam no.	A0261	A0203	A0210	A0240
Cam fitting hole	6 x 6 square 	8 x 8 square 	8 x 8 square 	8 x 8 square
Cam latch / lock no.	A1261 / A1281 / A2390	A2503 / A2504 A2523 / A2528	A2503 / A2504 A2523 / A2528	A2503 / A2504 A2523 / A2528

Suitable Without Projection Cams Table 1				
Compatible cam no.	A0203	A0210	A0240	A0243
Cam fitting hole	8 x 8 square 	8 x 8 square 	8 x 8 square 	8 x 8 square
Cam latch / lock no.	A1003 / A1021 / A1103 A1161 / A1168 / A1181 A1203 / A1210 / A1251 A1601 / A1620 / A1801 A2001 / A2203 / A2326 A2333 / A2392 / A2526 A4221 / A4241 / A4260 B1082 / B1086 / B1088 B1091 / B1092 / B1180 B1281 / B1285 / B1380 B1450 / B2091 / B2181	A1003 / A1021 / A1103 A1161 / A1168 / A1181 A1203 / A1210 / A1251 A1601 / A1620 / A1801 A2001 / A2203 / A2326 A2333 / A2392 / A2526 A4221 / A4241 / A4260 B1082 / B1086 / B1088 B1091 / B1092 / B1180 B1281 / B1285 / B1380 B1450 / B2091 / B2181	A1003 / A1021 / A1103 A1161 / A1168 / A1181 A1203 / A1210 / A1251 A1601 / A1620 / A1801 A2001 / A2203 / A2326 A2333 / A2392 / A2526 A4221 / A4241 / A4260 B1082 / B1086 / B1088 B1091 / B1092 / B1180 B1281 / B1285 / B1380 B1450 / B2091 / B2181	A1003 / A1021 / A1103 A1161 / A1168 / A1181 A1203 / A1210 / A1251 A1601 / A1620 / A1801 A2001 / A2203 / A2326 A2333 / A2392 / A2526 A4221 / A4241 / A4260 B1082 / B1086 / B1088 B1091 / B1092 / B1180 B1281 / B1285 / B1380 B1450 / B2091 / B2181

Suitable Without Projection Cams Table 2					
Compatible cam no.	A0250	A0234	A0215	A0231	A0233
Cam fitting hole	5 x 5 square 	6,3 dia. x 4,9 	7 x 7 square 	8 x 10 dia. 	8 x 10 dia.
Cam latch / lock no.	A4600 / A4620	A1661 / A1667	B2082 / B2084 / B2086 B2088 / B2285 / B2380	A1603 / A1611 A1630 / A1810	A1603 / A1611 A1630 / A1810

Calculation of correct cam off-set



Cam off-set

Use the formula to calculate your correct cam off-set:

$$ch = h - lh$$

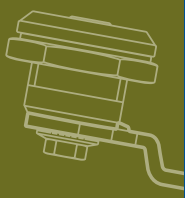
ch = the required cam off-set.
h = distance between inside of lock face and front of cam (also referred to as "grip length").
lh = length of cam body to be used (refer to individual cam body data sheets).

Cam Off-Set (dimension ch)

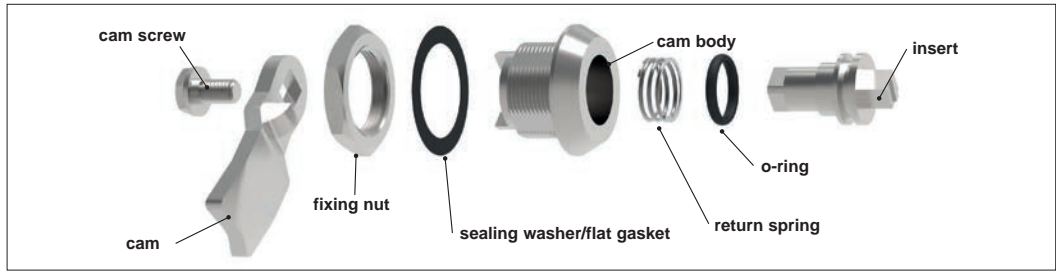
To ensure your cam fully and correctly engages with the frame of your door the correct cam off-set must be selected. A cam off-set can be either negative (-ve) or positive (+ve).

Cam Length (dimension cl)

Impacts reach of the cam to door frame and hence impacts positioning of cam body for installation. Cam length or reach is measured from the centre of the cam fixing hole to the cam's leading edge. Refer to individual cam body datasheets.







Materials

Physical and chemical characteristics of polyamide

Physical condition	solid (at 20°C)
Density	> 1,0 g/cm ³
Yield Point	220°C
Smell	No particular smell
Dissolvability in water	Undissolvable
Segregation temperature	> 350°C
Fire Point	>390°C
Auto ignition temperature	> 400°C

Zinc

Zinc Alloy is the most fundamental material for the Wixroyd product range. Housings, inserts, handles, spacers, keys, hinges etc, are all die cast products. The zinc used is a zinc alloy with the following contents (except zinc): Al 4,03% Cu 0,83% as well as minor contents of Mg, Fe, Pb, Cd, Sn and Ni.

RoHS Compliance

Our Cam Latches are RoHS Compliant.



Plastic - Polyamide

Many of our products are made of injection moulded plastic, normally polyamide. When needed, we add fibreglass to the material, in order to optimise qualities of the product. Examples of products made out of polyamide: handles, housings, rod guides etc.

Degrees of sealing protection

IP ratings

A product classified to an IP rating has either been tested in an independent laboratory, or due to the resemblance of its structure to a tested product, classified as IP.

Important note: We can only guarantee our products correspond to the indicated classification when assembled and used correctly.

IP65 RATED

IP 65: Dust Tight and Jetting Secure. Through the application of an o-ring and a flat gasket, this higher classification can be achieved.

IP54 RATED

IP 54: Dust and Splash Protected. This is the standard classification for our products. Equivalent to NEMA3.

Flat gaskets/ Sealing Washer

Character	Value	Standard
Density	1,35 g/cm ³	DIN 53479
Hardness	65 Shore A	DIN 53505
Breaking Strain	5 N/mm ²	DIN 53504
Expansion	200%	DIN 53504
Heat & cold resistance	max. 70°C, min. -35°C	

Through the application of a flat gasket between the lock and the door, class IP 65 or NEMA 4 is achieved.

Pressure deformation test

Time/temp.	Type of test	Standard	Result
22h/100°C	DVR	DIN 53517 A	9%
70h/100°C	DVR	DIN 53517 A	12%

The flat gasket is made out of a mixture of NBR (Nitrile Rubber) and SBR (Styrolbutadiene Rubber). This gives the gasket a satisfactory chemical resistance and a good constancy to oil.

O Rings

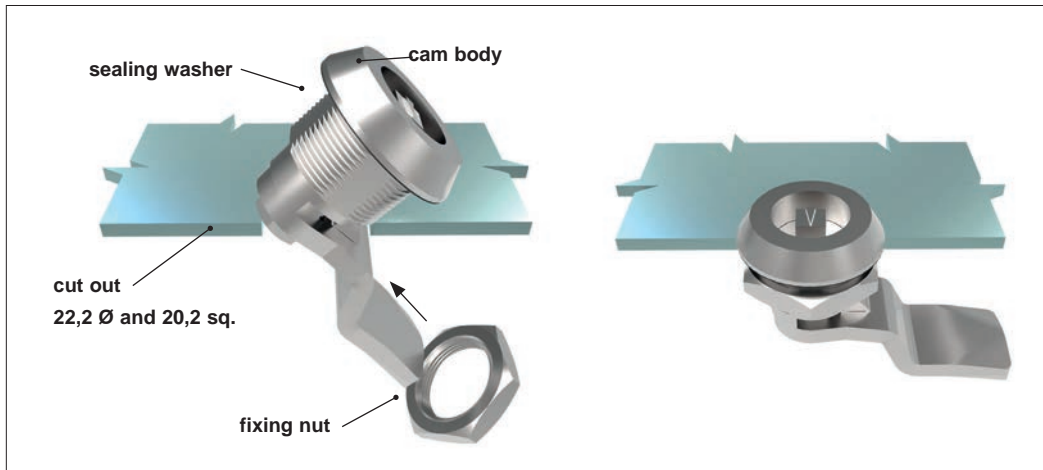
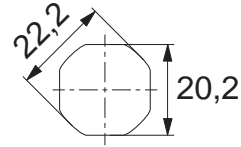
Character	Value	Standard
Density	1,240 g/cm ³	DIN 53479
Hardness	71 Shore A	DIN 53505
Breaking strain	14 N/mm ²	DIN 53504
Expansion	280%	DIN 53504
Recoil elasticity	32%	DIN 53512
Heat & cold resistance	max. 120°C, min. -40°C	

For all O-rings, an NBR material with the following technical characteristics is used.



Flexi-system cut out

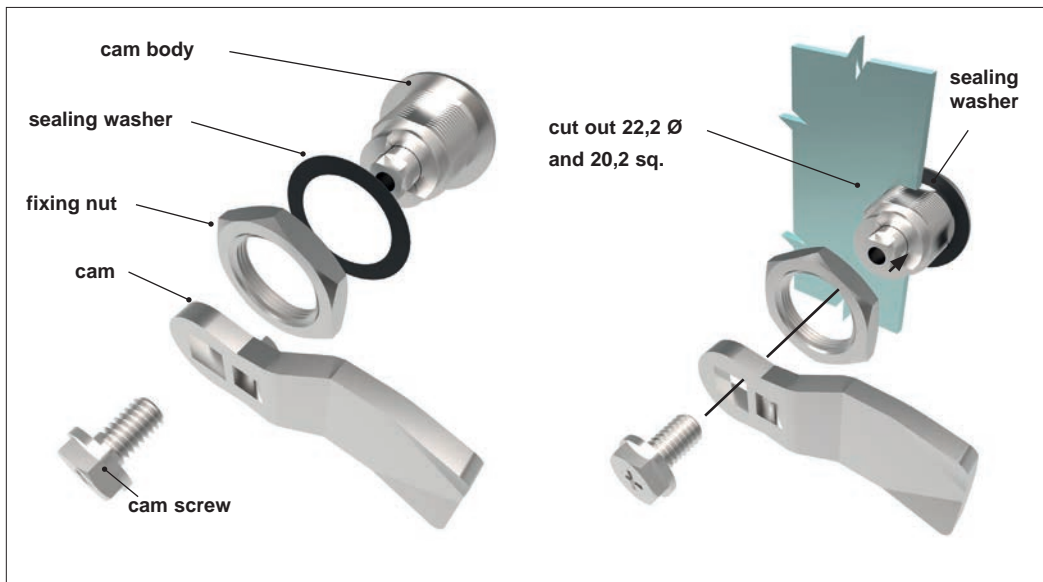
Our flexi-system is based on a standard installation cut out 22,2 Ø and 20,2 sq.



Option 1:
Installation when fully assembled

When the cam latch grip (h) is 9mm or more this method is possible:-

1. With the cam body and cam fully assembled, attach the sealing washer to cam body.
2. Tilt the latch 45° and pass it, cam first, through the installation cut out in the panel.
3. When in place attach the fixing nut to the cam body to secure. Tighten to 10 Nm max.



Option 2:
Installation unassembled

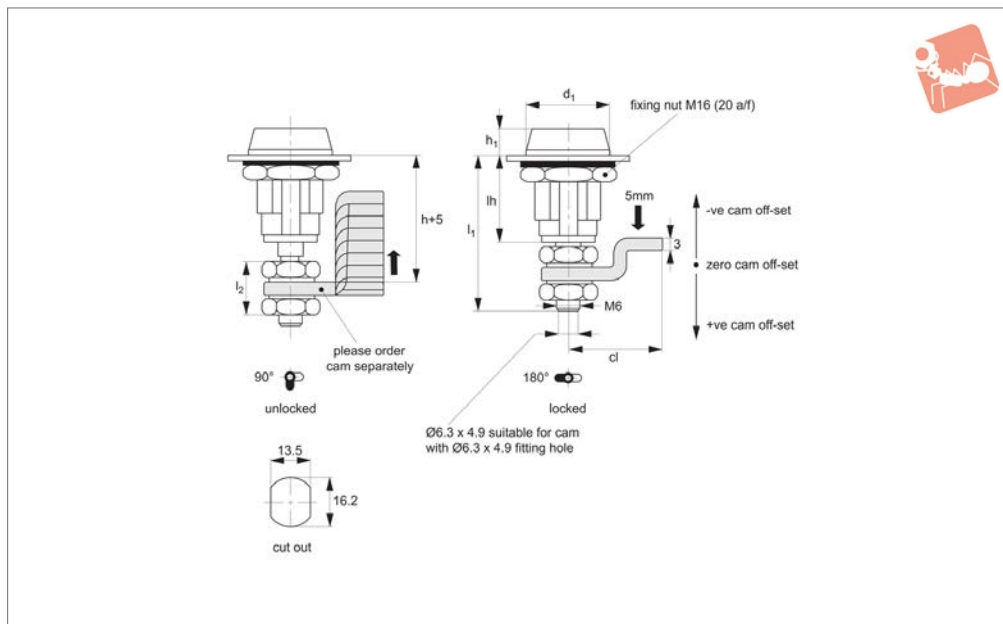
When the cam latch grip (h) is less than 9mm this method is suitable:-

1. Prior to commencing ensure that the cam body, cam, cam screw, fixing nut and sealing washer are completely unassembled.
2. Attach the sealing washer to the cam body and pass through installation cut out in panel.
3. Attach the fixing nut to the cam body to secure. Tighten to 10 Nm max.
4. Attach the cam to the cam body. Once you have ensured that the cam has the correct orientation toward the panel frame, secure the cam screw and tighten to 4 Nm.

ov-WA1003-A-TCC04-00-WA4260-A-T-cam-latch-installation-rmh- Updated -26-10-2022



A1661



Material

Body & insert: die cast zinc, black paint coated.

Insert fitted with O'ring to provide IP54 rating.

Not supplied: CAM nor KEY: order separately.

Technical Notes

Suitable for material thickness 1-10mm.

Order keys separately.

Cam: see suitable cam A0234. Select „without projection“ cam type.

Dimensions ch & cl relate to cam. Use

formula to calculate ch (required cam off-set), and refer to cam selection chart;

ch = h - lh where;

ch = required cam off-set/height.

h = grip length (distance between inside of lock face and front of cam).

lh = body length of cam latch/lock to be used.

Keys: see A0102. For part A16661.AW0006 (Square 6) use key A0102.AW0306 only.

Tips

Compression locks provide sealing of enclosures to reduce vibration and to

provide noise isolation. Adjustable grip type has an extended stem which can be cut in length to best suit your application.

Action:

From unlocked position, first 90° turn moves the cam to the locking position. Turn lock 210° to engage compression, cam moves to final fixing position.

Provides a 5mm compression stroke.

Order No.	Insert driver	d ₁	h ₁	lh	l ₁	l ₂ useful thread
A1661.AW0006	Square 6	20.8	6	22.5	38	15
A1661.AW0080	Slotted (2x4)	20.8	6	22.5	38	15

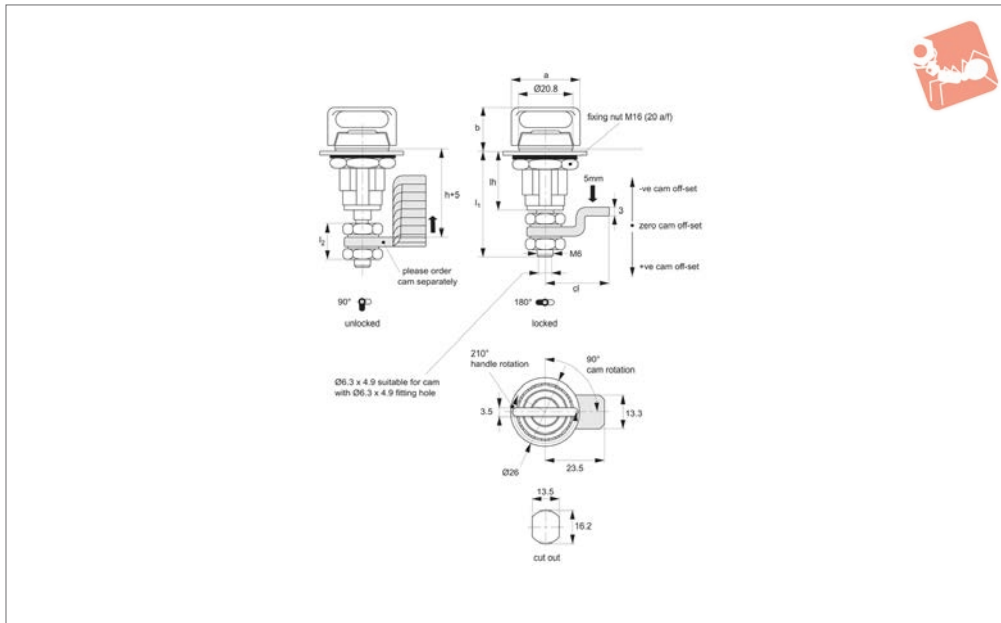


Mini Compression Latches

adjustable grip - wing handle - zinc



Compression Latches



A1667

COMPRESSION LATCHES

Material

Body & insert: die cast zinc, black paint coated. Fitted with O'ring to provide IP54 rating.

Technical Notes

Suitable for material thickness 1-10mm.

Cam: see suitable cam A0234. Select „without projection“ cam type.

Dimensions ch & cl relate to cam. Use formula to calculate ch (required cam off-

set), and refer to cam selection chart;

$ch = h - lh$ where;

ch = required cam off-set/height.

h = grip length (distance between inside of lock face and front of cam).

lh = body length of cam latch/lock.

Keys: see A0102.

Tips

Compression locks provide sealing of enclosures to reduce vibration and to

provide noise isolation. Adjustable grip type has an extended stem which can be cut in length to best suit your application.

Action:

From unlocked position, first 90° turn moves the cam to the locking position. Turn lock 210° to engage compression, cam moves to final fixing position.

Provides a 5mm compression stroke.

Order No.	Type	Actuation	a	b	lh	l_1	l_2 useful thread
A1667.AW0010	Fixed	Wing Handle	25.5	12	22.5	38	15



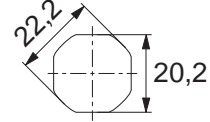
When selecting a Wixroyd Cam Latch for your application, you need to answer these questions:

1. Which installation cut out?
2. Which body style?
3. Which locking key?
4. Which accessories?
5. Which cam type and size?

Step 1: Which installation cut out?

Cut out

All our Flexi-System cam latches use a standard installation cut out 22,2 dia, 20,2 square, for maximum flexibility. We also provide a number of alternative cut out dimensions for legacy/historical installations.



flexi-system cut out

Step 2: Which body style?

Material and finish

Select from our variety of die cast zinc, polyamide plastic and stainless versions.



Die-cast zinc chrome plate

Die-cast zinc black coated

Polyamide black

Stainless steel

Actuation and locking method

Standard insert driver type, cylinder lock or wing handle type.



Insert driver

Cylinder lock

Wing handle

Number of latching points in application

Typically single point latching is required, but the Wixroyd Flexi-System also provides multi-point latching (typically 3 point - at lock point, top and bottom of cabinet).



Single point

Two point

Multi-point

Step 3: Which locking key?

Standard insert driver keys

Our range of insert driver cam latches require a simple key to actuate. Refer to part A0102 and A0103 for correct keys.



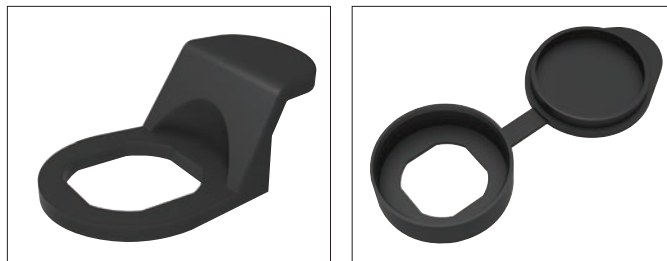
Cylinder locking

Our cam locks with cylinder locks are supplied with two keys per lock. Available as keyed alike or keyed to differ locks.



Step 4: Which accessories?

- Multi-point latching: use our rod set A0303 to A0325 for suitable rods and rod guides.
- Finger pulls: easily installed with any of our flexi-system cam bodies, finger pull no. A0352 is a simple, cost effective handle for your cabinets.
- Dust Cap: to reduce material ingress.



















Wixroyd Cam and Compression Latches

product selection charts



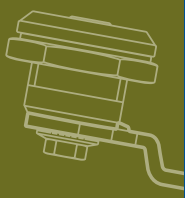
Cam Latches and Locks

Actuation Method	Body	Finishes	Cam Type	IP Rating	cut out	
					16,2	13,5
Insert Driver	Die-Cast Zinc	Chrome Plated	With Projection		16,2	13,5
Cylinder Lock	Polyamide Plastic	Black Coated	W/O Projection			
Manual/Grip	Stainless Steel	Natural				
Body length (mm)						
A1661 - Mini Compression Latch - Fixed Grip						
	✓	22,5	✓	✓	✓	54
Cams: A0234 - Keys: A0102						
A1667 - Mini Compression Latch - Wing Handle - Fixed Grip						
	✓	22,5	✓	✓	✓	54
Cams: A0234 - Keys: N/A						
Actuation Method	Body	Finishes	Cam Type	IP Rating	cut out	
					16,2	14,2
Insert Driver	Die-Cast Zinc	Chrome Plated	With Projection		16,2	14,2
Cylinder Lock	Polyamide Plastic	Black Coated	W/O Projection			
Manual/Grip	Stainless Steel	Natural				
Body length (mm)						
A1261 - Mini Cam Latch - Fixed Grip						
	✓	12,5	✓	✓	✓	✓
Cams: A0261 - Keys: A0102						
A1281 - Mini Cam Latch - Wing Handle - Fixed Grip						
	✓	12,5	✓	✓	✓	✓
Cams: A0261 - Keys: N/A						
A2390 - Mini Cam Lock - Wing Handle - Fixed Grip						
	✓	13	✓	✓	✓	✓
Cams: A0261 - Keys: Supplied						

Actuation Method	Body	Finishes	Cam Type	IP Rating	cut out	
					Ø19	16
Insert Driver	Die-Cast Zinc	Chrome Plated	With Projection		Ø19	16
Cylinder Lock	Polyamide Plastic	Black Coated	W/O Projection			
Manual/Grip	Stainless Steel	Natural				
Body length (mm)						
A2326 - Mini Cam Lock - Fixed Grip						
	✓	16,5	✓	✓	✓	✓
Cams: Supplied - Keys: Supplied						
A2328 - Mini Cam Lock - Fixed Grip						
	✓	15	✓	✓	✓	✓
Cams: N/A - Keys: Supplied						
A2330 - Mini Cam Lock - Fixed Grip						
	✓	11	✓	✓	✓	✓
Cams: Supplied - Keys: Supplied						
A2331 - Mini Cam Lock - Fixed Grip						
	✓	16	✓	✓	✓	✓
Cams: Supplied - Keys: Supplied						
A2342 - Mini Cam Lock - Fixed Grip - Radial Key						
	✓	13	✓	✓	✓	✓
Cams: Supplied - Keys: Supplied						
A2393 - Mini Cam Lock - Wing Handle - Fixed Grip						
	✓	11	✓	✓	✓	✓
Cams: Supplied - Keys: Supplied						
Actuation Method	Body	Finishes	Cam Type	IP Rating	cut out	
					Ø18,5	16,5
Insert Driver	Die-Cast Zinc	Chrome Plated	With Projection		Ø18,5	16,5
Cylinder Lock	Polyamide Plastic	Black Coated	W/O Projection			
Manual/Grip	Stainless Steel	Natural				
Body length (mm)						
A2333 - Mini Cam Lock - Fixed Grip						
	✓	Various	✓	✓	✓	✓
Cams: A0203, A0224, A0240 - Keys: Supplied						
A2340 - Mini Cam Lock - Fixed Grip						
	✓	15	✓	✓	✓	✓
Cams: Supplied - Keys: Supplied						
A2392 - Mini Cam Lock - Wing Handle - Fixed Grip						
	✓	24	✓	✓	✓	✓
Cams: A0203, A0224, A0240 - Keys: Supplied						

COMPRESSION LATCHES

ov-WA1261-A-TCC0500-WA2393-A-T-cam-compression-latches-product-selection-chart-c-rmh-Updated--27-10-2022

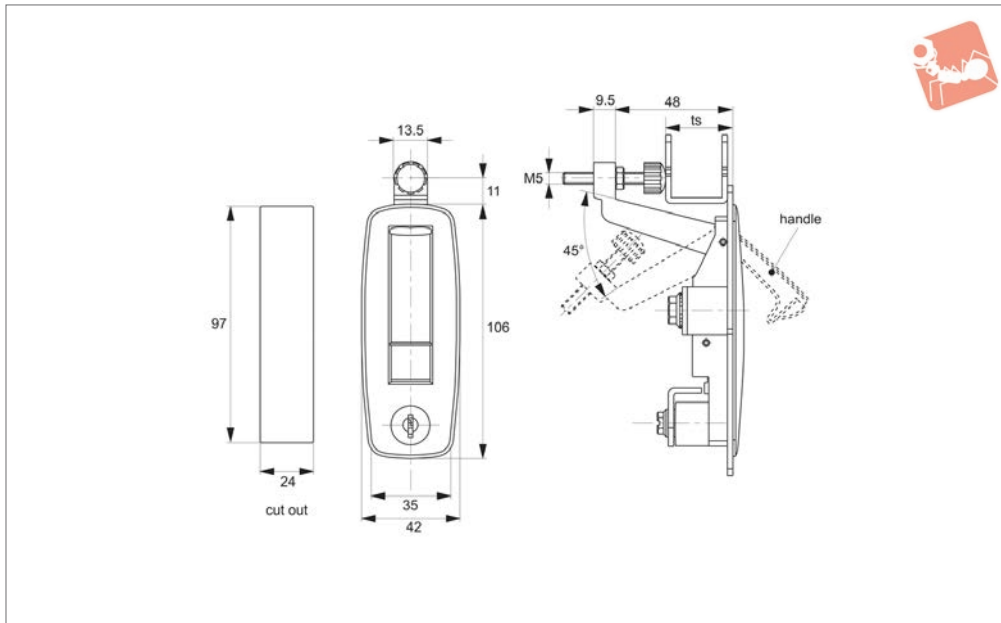




Compression Locks

lever latch - adjustable grip - flush trigger - zinc

Compression Latches



A1701

COMPRESSION LATCHES

Material

Body and handle and button: die cast zinc, black power coated.

Cylinder lock: die cast zinc.

Screw: steel, white zinc plated.

Supplied with: KEY.

Technical Notes

Grip length can be adjusted via M5 clamping screw to suit your application.

Suitable for panel thickness 20-35mm. For installation cut out see diagram.

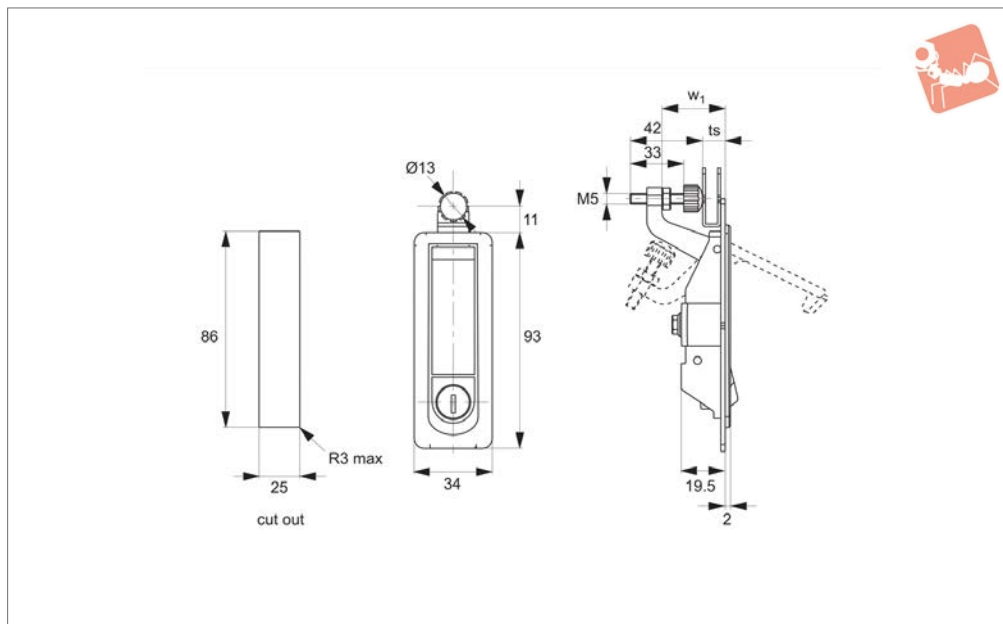
Tips

Quick-open, easy assembling, by adjusting screw meets the needs of distance control.

Order No.	Finish	Lock type	ts grip adj.
A1701.AW0310	Black Coated	Std. Cylinder	20-35



A1707



Material

Body and handle and button: die cast zinc, black power coated.
Cylinder lock: die cast zinc.

Screw: steel, white zinc plated.

Supplied with: KEY.

Technical Notes

Grip length can be adjusted via screw between 1 and 20mm. Suitable for panel thickness 1-20mm.

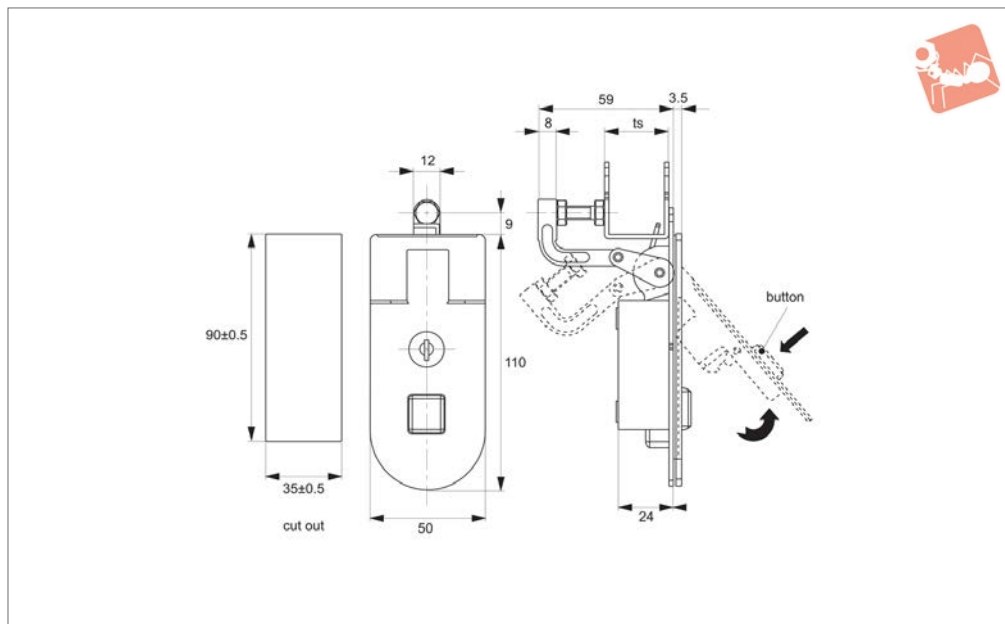
Order No.	Finish	Lock type	ts grip adj.	w ₁
A1707.AW0710	Black Coated	Std. Cylinder with Keyed Alike	1-20	29
A1707.AW0720	Black Coated	Blank - No Lock	1-20	29
A1707.AW0910	Black Coated	Std. Cylinder with Keyed Alike	17-40	50
A1707.AW0920	Black Coated	Blank - No Lock	17-40	50



Compression Locks

lever latch - adjustable grip - zinc

Compression Latches



A1751

COMPRESSION LATCHES

Material

Body and handle: die cast zinc, black power coated.
 Cylinder lock: die cast zinc.
 Screw: steel, white zinc plated.

Supplied with: KEY.

Technical Notes

Grip adjustment 31-48mm.

Tips

Quick-open, easy assembling. Grip length can be adjusted via clamping screw to suit your application.

Order No.	Finish	Lock type	ts grip adj.
A1751.AW0310	Black Coated	Std. Cylinder	31-48

Cam Latches and Locks




Wixroyd Cam and Compression Latches

product selection charts



COMPRESSION LATCHES

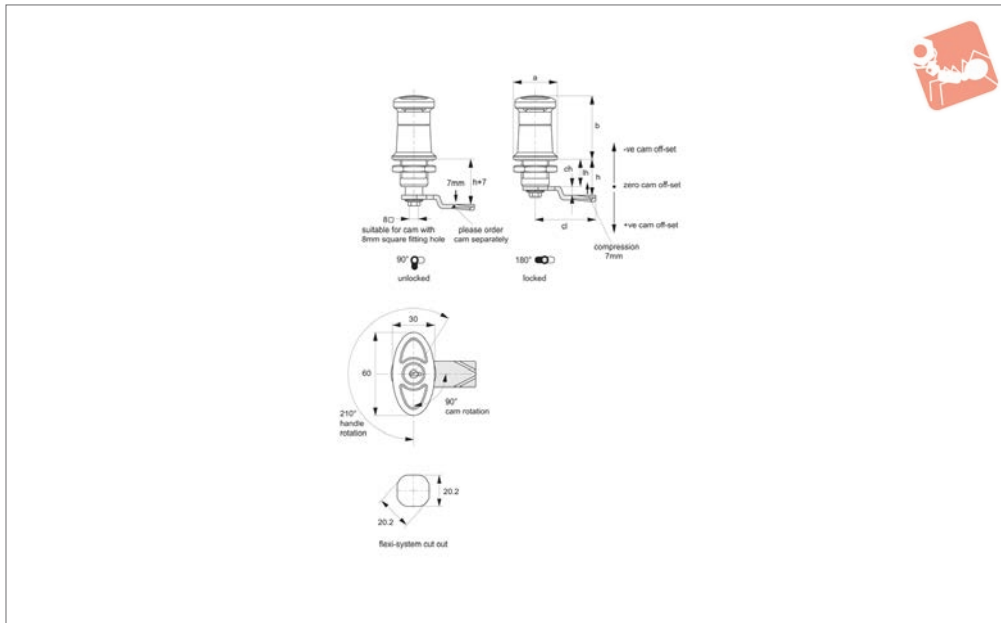
Miscellaneous Cut out	Actuation Method			Body length (mm)	Body			Finishes			Cam Type	
	Insert Driver	Cylinder Lock	Manual/Grip		Die-Cast Zinc	Polyamide Plastic	Stainless Steel	Chrome Plated	Black Coated	Natural	With Projection	W/O Projection
			✓	10	✓		✓					
A1192 - Mini Cam Latch - Wing Handle - Fixed Grip Cams: Supplied - Keys: N/A												
	✓			25		✓		✓			54	
A1506 - Panel Latches - Fixed Grip Cams: Supplied - Keys: A0102												
	✓			18	✓			✓				
A1520 - Cam Lock - Fixed Grip Cams: Supplied - Keys: A0102												
			✓		✓		✓					
A1546 - Panel Latch - Uncovered Cams: Supplied - Keys: N/A												
	✓			22,5	✓			✓				
A1561 - Panel Latch - with Cover Cams: Supplied - Keys: N/A												
	✓				✓		✓					
A1701 - Compression Latch - Lever Latch - Flush Trigger Cams: N/A - Keys: Supplied												
	✓			19	✓			✓				
A1707 - Compression Latch - Lever Latch - Raised Trigger Cams: Supplied - Keys: Supplied												
	✓				✓			✓				
A1751 - Compression Latch - Lever Latch Cams: N/A - Keys: Supplied												

Miscellaneous Cut out	Actuation Method			Body length (mm)	Body			Finishes			Cam Type	
	Insert Driver	Cylinder Lock	Manual/Grip		Die-Cast Zinc	Polyamide Plastic	Stainless Steel	Chrome Plated	Black Coated	Natural	With Projection	W/O Projection
	✓				✓			✓			✓	40
A4241 - Cam Latch - with Rod Control - Extended Cover Cams: A0203, A0224, A0240 - Keys: A0102												
		✓			✓			✓			✓	54
A4260 - Cam Lock - with Rod Control - Wing Handle - Extended Cover Cams: A0203, A0224, A0240 - Keys: A0102												
	✓			Various	✓			✓			✓	
A4221 - Cam Latch - with Rod Control - with Cover Cams: A0203, A0224 - Keys: A0102												



Compression Lock - T-handle - Flexi- T-handle - fixed grip - zinc

Compression Latches



A1801

COMPRESSION LATCHES

Material

Body & handle: die cast zinc, nanometer coated.

Supplied with: Key.

Not supplied: CAM - order separately.

Technical Notes

Order cam and key separately.

Cams: see suitable cam A0203 and A0224.

Select „without projection“ cam type.

Dimensions ch and cl relate to cam. Use formula to calculate ch (required cam off-set), and refer to cam selection chart;
 $ch = h - lh$ where;
 ch = required cam off-set/height.
 h = grip length (distance between inside of latch face and front of cam).
 lh = body length of cam latch/lock to be used (see product table below).

Keys: see A0102.

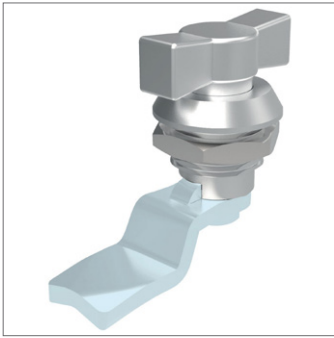
Tips

Compression locks provide sealing of enclosures to reduce vibration and to provide noise isolation.

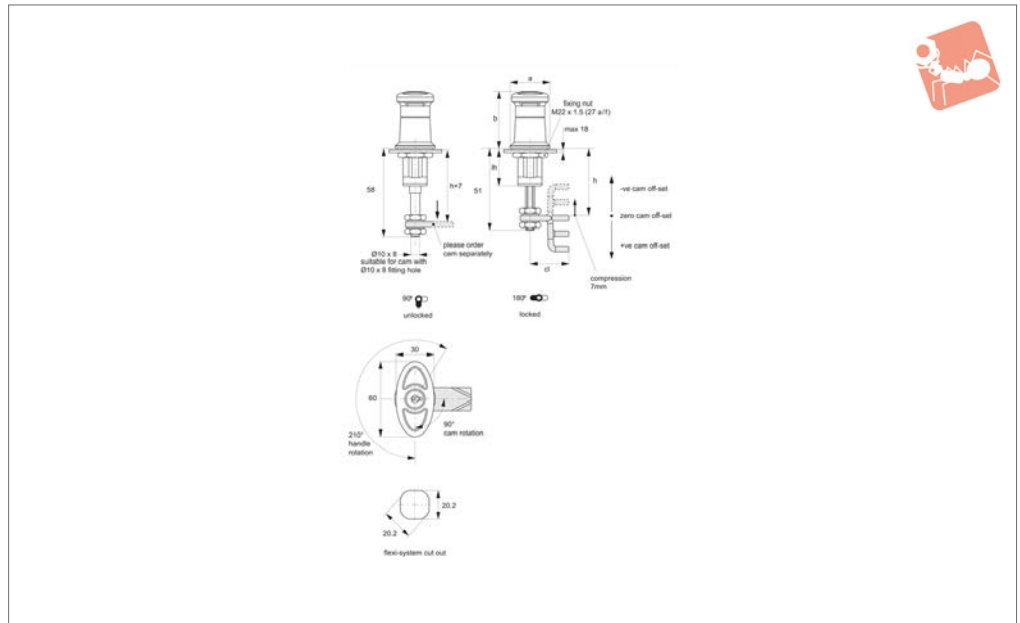
Action:

210° handle rotation, 90° cam rotation.

Order No.	Lock type	a	b	lh
A1801.AW0032	Std. Cylinder	32	46	18
A1801.AW0132	Blank - No Lock	32	46	18



A1810



Material

Body & handle: die cast zinc, nanometer coated.

Shaft: steel, white zinc plated.

Supplied with: Key.

Not supplied: CAM - order separately.

Technical Notes

Order cam and key separately.

Cams: see suitable cam A0231 and A0233.

Select „without projection“ cam type.

Dimensions ch and cl relate to cam. Use

formula to calculate ch (required cam off-set), and refer to cam selection chart;

ch = h - lh where;

ch = required cam off-set/height.

h = grip length (distance between inside of latch face and front of cam).

lh = body length of cam latch/lock to be used (see product table below).

Keys: see A0102.

Tips

Compression locks provide sealing of

enclosures to reduce vibration and to provide noise isolation.

Adjustable grip type has an extended stem which can be cut in length to best suit your application.

Action:

210° handle rotation, 90° cam rotation.

Provides a 7mm compression stroke.

Order No.	Lock type	a	b	lh
A1810.AW0032	Std. Cylinder	32	46	18
A1810.AW0132	Blank - No Lock	32	46	18