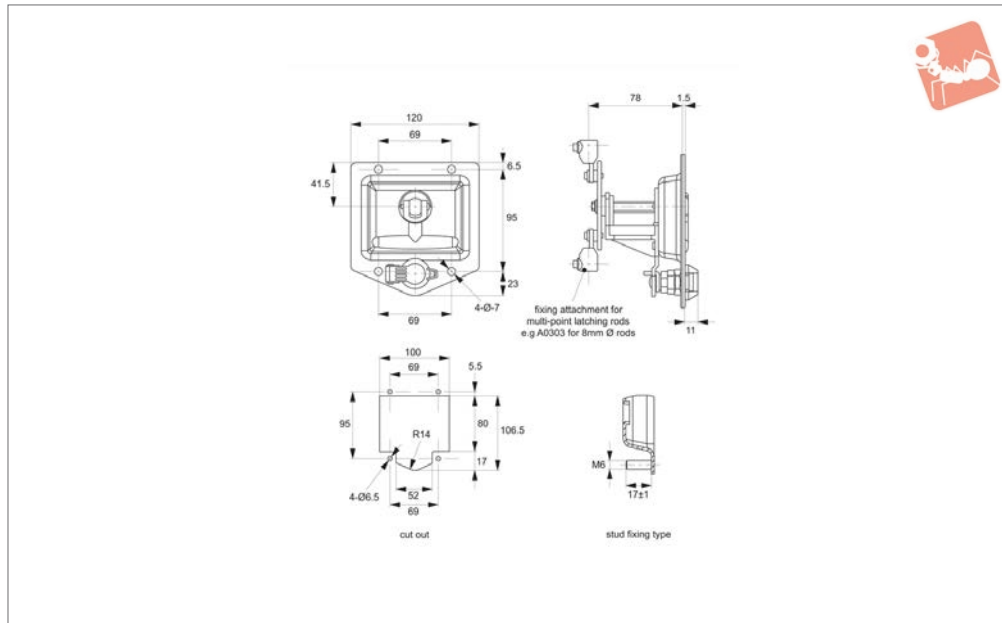




Cam Latch - Flush T-handle - Rod

vertical - heavy duty- fixed grip - standard cylinder

Paddle Latches



B4584

PADDLE LATCHES

Material

Body: stainless steel, AISI 303.
 Handle: die cast zinc, chrome plated.
 Cylinder lock: die cast zinc, chrome plated.
Supplied with: Keys: two per lock.

Technical Notes

Hole fixing type requires 4 off M 6 screws

(not supplied) for front mounting.
 Stud fixing type has 4 off M 6 welding studs for rear mounting with M 6 nuts (not supplied).
 Use with multi-point latching rods (e.g. A0303), with 8mm Ø rods, to achieve two point latching of larger enclosure panels.

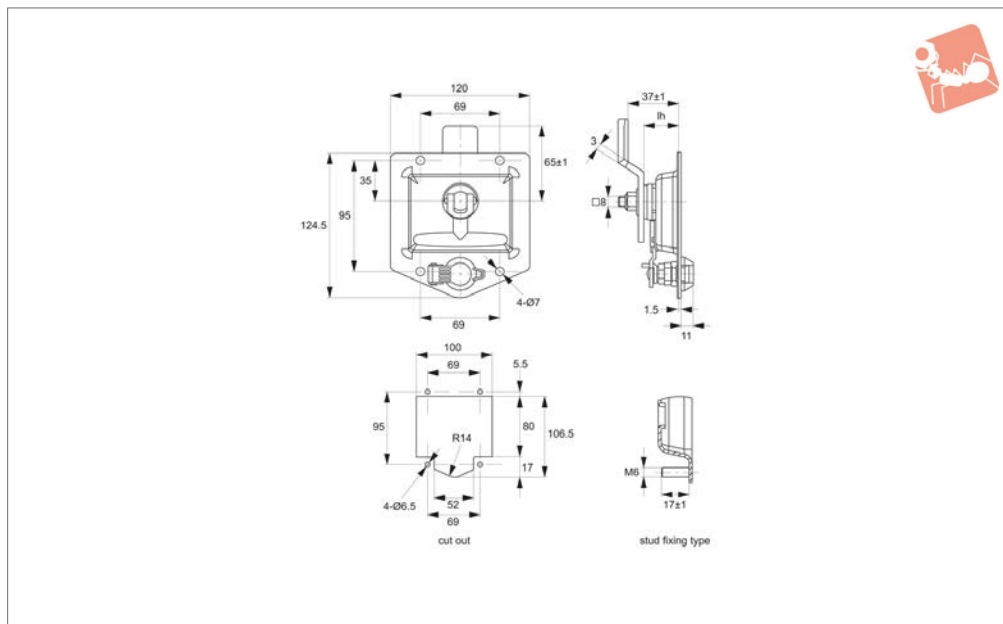
Tips

Ideal for electricity sub-stations, HGVs and other road side vehicles.
 T-handle is in the vertical position when locked. Universal left/right. For use inside of cabinet gasket.

Order No.	Mounting type	Lock type	Key type
B4584.AW0010	Hole Fixing	Std. Cylinder	Keyed Alike
B4584.AW0020	Stud Fixing	Std. Cylinder	Keyed Alike



B4586



Material

Body: stainless steel, AISI 303.

Handle: die cast zinc, chrome plated.

Cylinder lock: die cast zinc, chrome plated.

Supplied with: Keys: two per lock.

Cam: stainless steel, AISI 303.

Technical Notes

Hole fixing type requires 4 off M 6 screws

(not supplied), for front mounting.

Stud fixing type has 4 off M 6 welded studs for near mounting with M 6 nuts (not supplied).

Tips

Ideal for electricity sub-stations, HGVs and other road side vehicles.

T-handle is in the vertical position when

locked. Universal left/right. For use inside of cabinet gasket.

Can be used with cam range A0203.

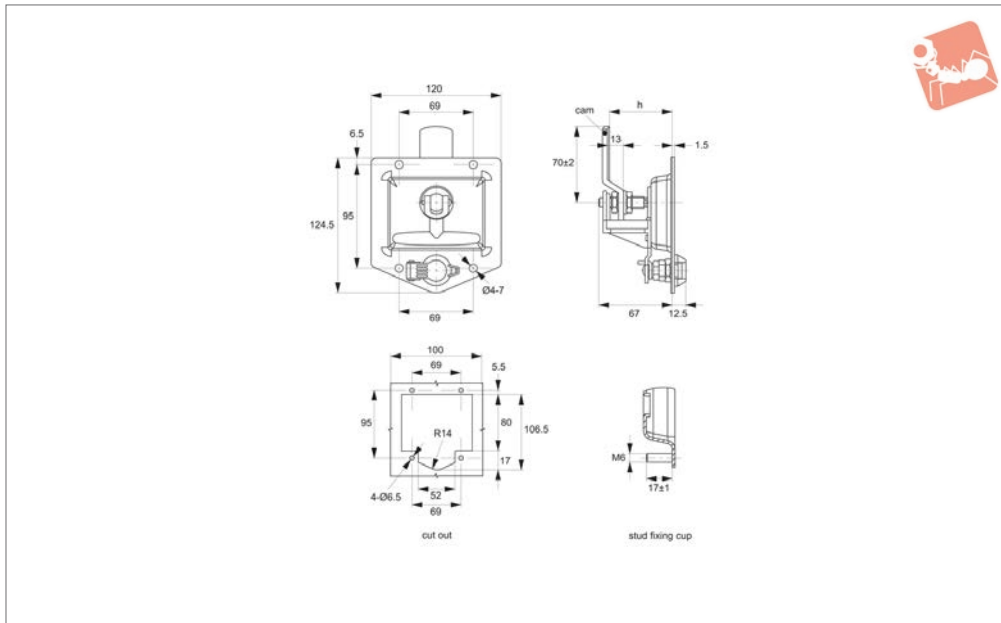
Order No.	Mounting type	Lock type	Key type	lh
B4586.AW0010	Hole Fixing	Std. Cylinder	Keyed Alike	25
B4586.AW0020	Stud Fixing	Std. Cylinder	Keyed Alike	25



Cam Latch - Flush T-handle

vertical - heavy duty - adjustable grip - standard

Paddle Latches



B4588

PADDLE LATCHES

Material

Body: stainless steel, AISI 303.
 Handle: die cast zinc, chrome plated.
 Cylinder lock: die cast zinc, chrome plated.
Supplied with: Keys: two per lock.
 Cam: stainless steel, AISI 303.

(not supplied), for front mounting.
 Stud fixing type has 4 off M 6 welded studs for near mounting with M 6 nuts (not supplied).

locked.
 For use inside of cabinet gasket.

Technical Notes

Hole fixing type requires 4 off M 6 screws

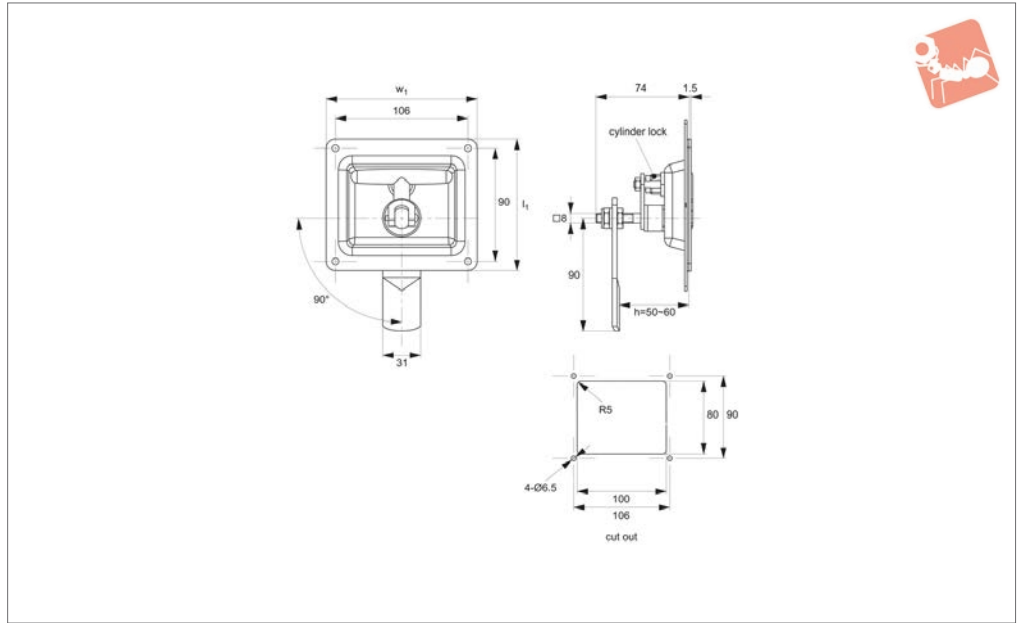
Tips

Ideal for electricity sub-stations, HGVs and other road side vehicles.
 T-handle is in the vertical position when

Order No.	Mounting type	Lock type	Key type	h grip range
B4588.AW0010	Hole Fixing	Std. Cylinder	Keyed Alike	48 - 58
B4588.AW0020	Stud Fixing	Std. Cylinder	Keyed Alike	48 - 58



B4590



PADDLE LATCHES

Material

Body: stainless steel, AISI 303.

Handle: die cast zinc, chrome plated.

Cylinder lock: die cast zinc, chrome plated.

Cam: stainless steel, AISI 303.

Technical Notes

Mounting via 4 off M 6 screws (not

supplied) for front mounting.

With lock version has standard cylinder lock to prevent unauthorised opening.

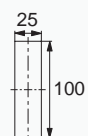

Order No.	Mounting type	Lock type	l_1	w_1	h grip range
B4590.AW0010	Hole fixing	Std. Cylinder	105	120	50~60
B4590.AW0020	Hole fixing	Blank - No Lock	105	120	50~60

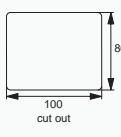



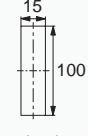



Wixroyd Swing Handles

product selection charts

Swing Handles & Paddle Latches

cut out	Cylinder Profile		Body		IP Rating	Locking System			Use	Cam Type			
	Std. Cylinder Lock	40mm Euro Padlockable Insert Driver	Die-Cast Zinc	Polyamide Plastic		Stainless Steel	Steel	Aluminium			1-point	2-point	3-point
													
B1180 - Swing Handle													
	✓		✓		54	✓	✓	✓	✓				✓
Cams: A0203, A0224, A0240 - Keys: Supplied													

cut out	Cylinder Profile		Body		IP Rating	Locking System			Use	Cam Type			
	Std. Cylinder Lock	40mm Euro Padlockable Insert Driver	Die-Cast Zinc	Polyamide Plastic		Stainless Steel	Steel	Aluminium			1-point	2-point	3-point
													
B4590 - Cam Latch - Flush T-handle - Heavy Duty													
	✓		✓						✓		✓		✓
Cams: Supplied - Keys: Supplied													

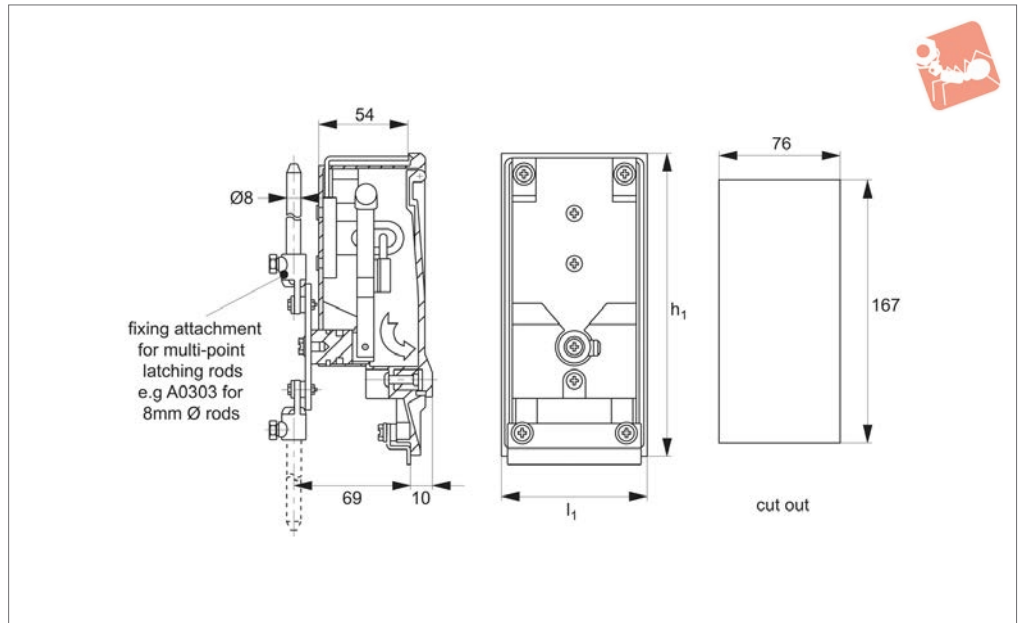
cut out	Cylinder Profile		Body		IP Rating	Locking System			Use	Cam Type			
	Std. Cylinder Lock	40mm Euro Padlockable Insert Driver	Die-Cast Zinc	Polyamide Plastic		Stainless Steel	Steel	Aluminium			1-point	2-point	3-point
													
B4584 - Cam Latch - Flush T-handle, Vertical - Heavy Duty													
	✓		✓						✓	✓			✓
Cams: Supplied - Keys: Supplied													
B4586 - Cam Latch - Flush T-handle, Vertical - Heavy Duty													
	✓		✓						✓	✓			✓
Cams: Supplied - Keys: Supplied													
B4588 - Cam Latch - Flush T-handle, Vertical - Heavy Duty													
	✓		✓						✓	✓			✓
Cams: Supplied - Keys: Supplied													

PADDLE LATCHES

ov-WB1180-A-TPL0120-WB4590-A-T-swing-handles-products-selection-chart-b-rmh- Updated -25-10-2022



B4604



Material

Body and Cover: aluminium, grey powder coated.

Technical Notes

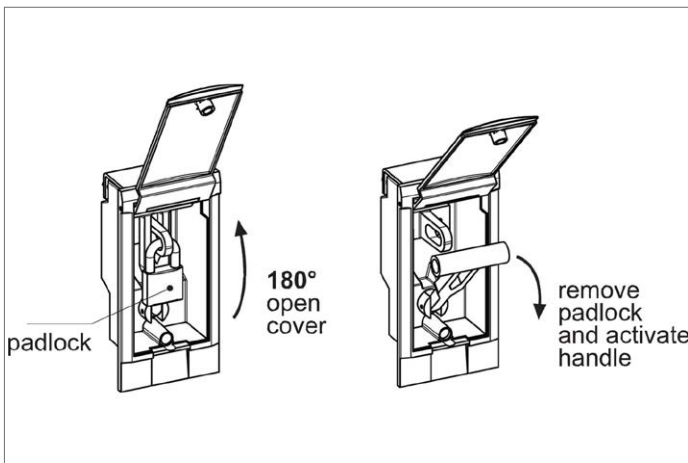
Designed for medium voltage electricity panels.

T-handle is in the vertical position when locked. For added security has padlock shackle to prevent lifting/turning of T-handle to suit max. padlock shackle of 9mm dia (not supplied).

Use with multi-point latching rods (A0303)

with 8mm \varnothing rods, to achieve two point latching of larger enclosure panels. Handle secured to frame via mounting brackets (supplied).

Order No.	Body	h_1	l_1
B4604.AW0010	Aluminium	178	87












Wixroyd Cam Latches

product selection charts

Swing Handles & Paddle Latches

	Cylinder Profile	Body	Locking System	Use	Cam Type
	Std. Cylinder Lock 40mm Euro Padlockable Insert Driver	Die-Cast Zinc Polyamide Plastic Stainless Steel Aluminium	IP Rating 1-point 2-point 3-point	Inside Gasketing Outside Gasketing With Projection W/O Projection	
B1450 - Swing Handles - Cam Control - Sliding Cover		✓	✓	✓	✓
Cams: A0203, A0224, A0240 - Keys: Supplied					
B2450 - Swing Handles - Rod Control - Sliding Cover		✓	✓	✓	✓
Cams: N/A - Keys: Supplied					
B4604 - Cam Latch - Concealed T-handle, Vertical		✓	65	✓	✓
Cams: Supplied - Keys: Padlockable					
B4703 - Push-to-Close Paddle Latch - Pull-to-Open		✓	✓	✓	✓
Cams: N/A - Keys: Supplied					
B4713 - Push-to-Close Paddle Latch - Pull-to-Open		✓	✓	✓	✓
Cams: N/A - Keys: Supplied					
B4733 - Push-to-Close Paddle Latch - Pull-to-Open		✓	✓	✓	✓
Cams: N/A - Keys: Supplied					
B4750 - Push-to-Close Paddle Latch - Pull-to-Open		✓	✓	✓	✓
Cams: N/A - Keys: Supplied					
B4752 - Push-to-Close Paddle Latch - Pull-to-Open		✓	✓	✓	✓
Cams: N/A - Keys: Supplied					

	Cylinder Profile	Body	Locking System	Use	Cam Type
	Std. Cylinder Lock 40mm Euro Padlockable Insert Driver	Die-Cast Zinc Polyamide Plastic Stainless Steel Aluminium	IP Rating 1-point 2-point 3-point	Inside Gasketing Outside Gasketing With Projection W/O Projection	
B4754 - Push-to-Close Paddle Latch - Pull-to-Open		✓	✓	✓	✓
Cams: N/A - Keys: Supplied					
B4756 - Push-to-Close Paddle Latch - Pull-to-Open		✓	✓	✓	✓
Cams: N/A - Keys: Supplied					
B4758 - Push-to-Close Paddle Latch - Pull-to-Open		✓	✓	✓	✓
Cams: N/A - Keys: Supplied					
B4800 - Twist-to-Close Paddle Latch - Snap-On		✓	✓	✓	✓
Cams: N/A - Keys: Supplied					

PADDLE LATCHES

ov-WB1450-A-T-WB4800-A-T-cam-latches-product-selection-chart-rmh-Updated -25-10-2022



Models available



Cam Latch - Flush T-Handle with rod control for multi-point latching



Cam Latch - Flush T-Handle for single point latching



Cam Latch - Flush T-Handle with adjustable grip



Cam Latch - Concealed T-Handle for electricity panels

Features

Variety of materials

- Steel.
- Stainless steel.
- Aluminium.
- Polyamide.

Actuation/locking method

- Blank, without lock.
- Standard cylinder Lock.
- Padlockable T-Handle actuation.

Applications

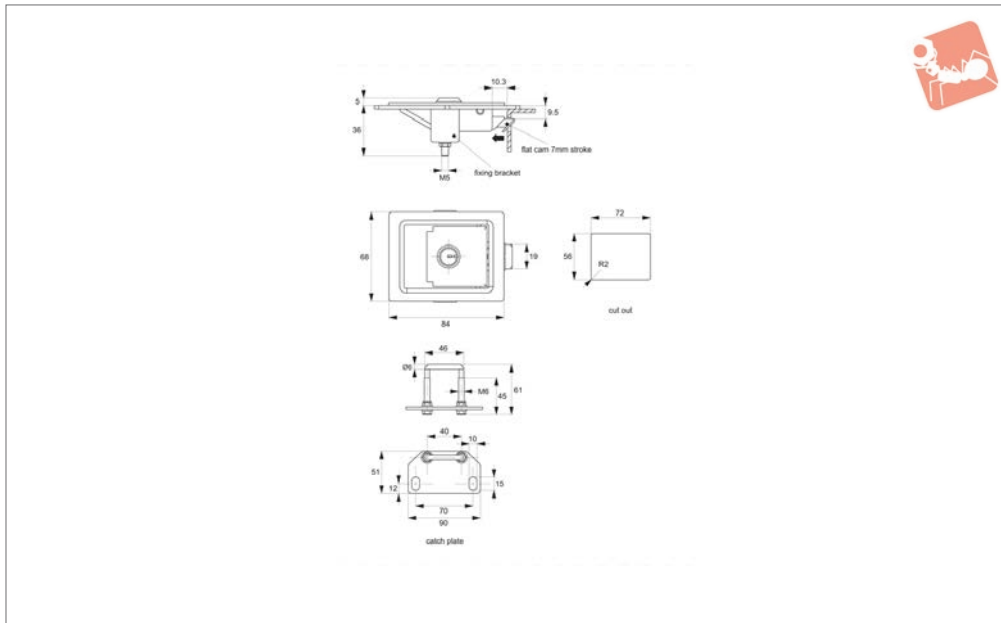
- Heating & ventilation.
- Generators.
- Compressors.
- Machine covers.
- Electric panels.
- Off-road equipment.
- Industrial transport.
- Special equipment cases.



Push To Close Paddle Latches

pull to open - slam action - standard cylinder lock -

Paddle Latches



B4703

PADDLE LATCHES

Material

Body and Handle: steel, black powder coated.
Cylinder lock: die cast zinc, zinc plated.

Supplied with: Keys: two per lock.

Not Supplied: Catch plate: please order separately.

Technical Notes

Spring loaded, slam action handle. Installation via 72x56mm cut out.

Order No.

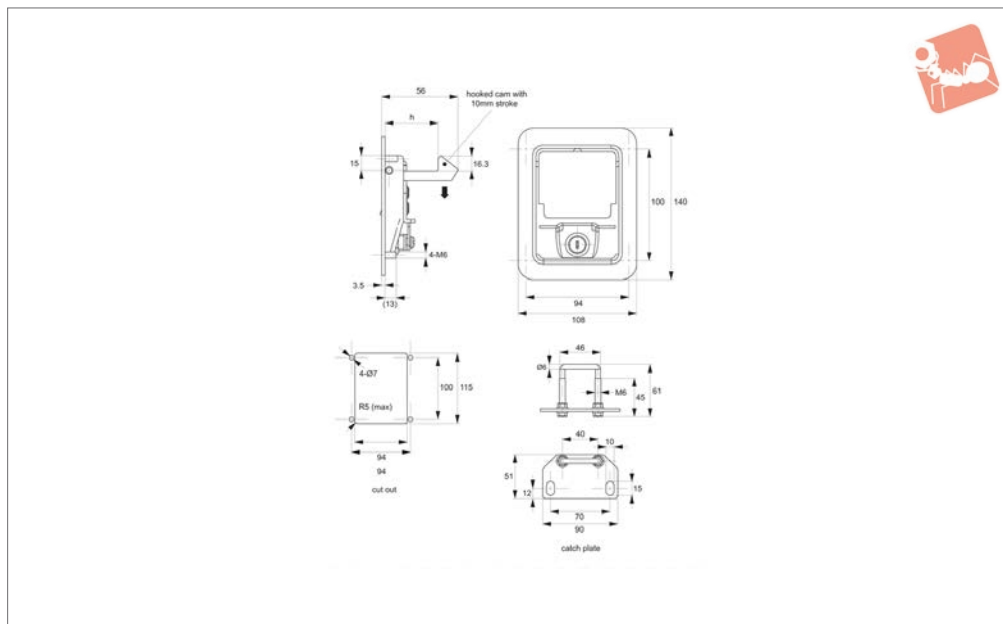
B4703.AW0010
B4703.AW0020

Lock type

Std. Cylinder
Blank - No Lock



B4713



Material

Body and Handle: steel, black powder coated.

Cylinder lock: die cast zinc, zinc plated.

Supplied with: Keys: two per lock.

Not Supplied: Catch plate: please order separately.

Technical Notes

Stud fixing type has 4 off M 6 welded studs for rear mounting with M 6 nuts (not supplied).

Universal left/right. For use inside of cabinet gasket.

Tips

Fully integrated lock, latch and flush fitting paddle handle, ideal for generators, compressors, electric panels and doors.

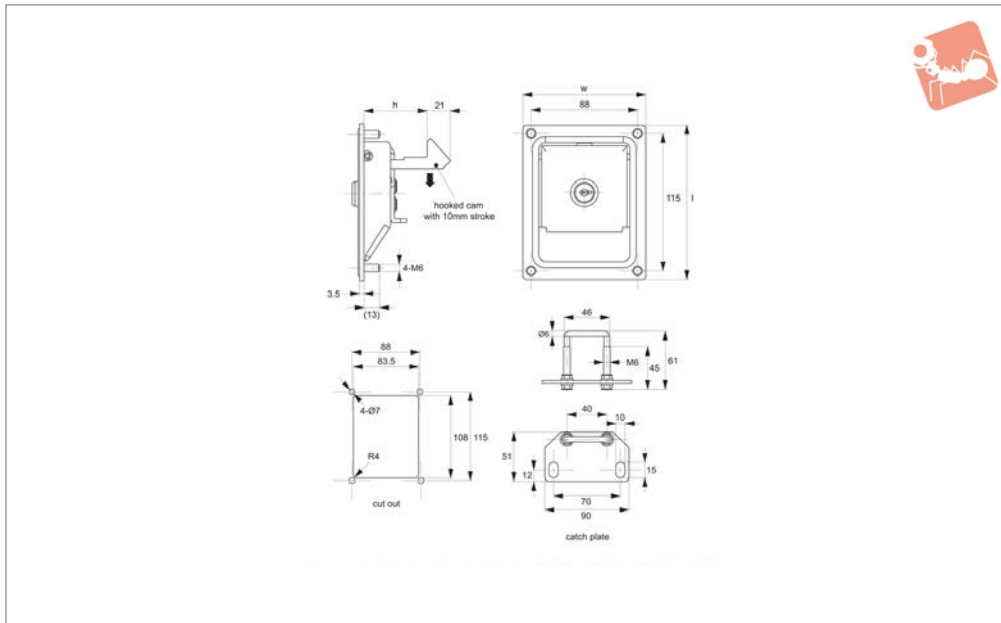
Order No.	Lock type	Type	h
B4713.AW0010	Std. Cylinder	Latch	31.5
B4713.AW0020	Std. Cylinder	Latch	44.0
B4713.AW0030	Std. Cylinder	Latch	55.0
B4713.AW0040	Blank - No Lock	Latch	31.5



Push To Close Paddle Latches

pull to open - slam action - standard cylinder lock -

Paddle Latches



B4733

PADDLE LATCHES

Material

Body and Handle: steel, black powder coated.

Cylinder lock: die cast zinc, zinc plated.

Supplied with: Keys: two per lock.

Not Supplied: Catch plate: please order

separately.

Technical Notes

Stud fixing type has 4 off M 6 welded studs for rear mounting with M 6 nuts (not supplied).

Tips

Fully integrated lock, latch and flush fitting paddle handle, ideal for generators, compressors, electric panels and doors.

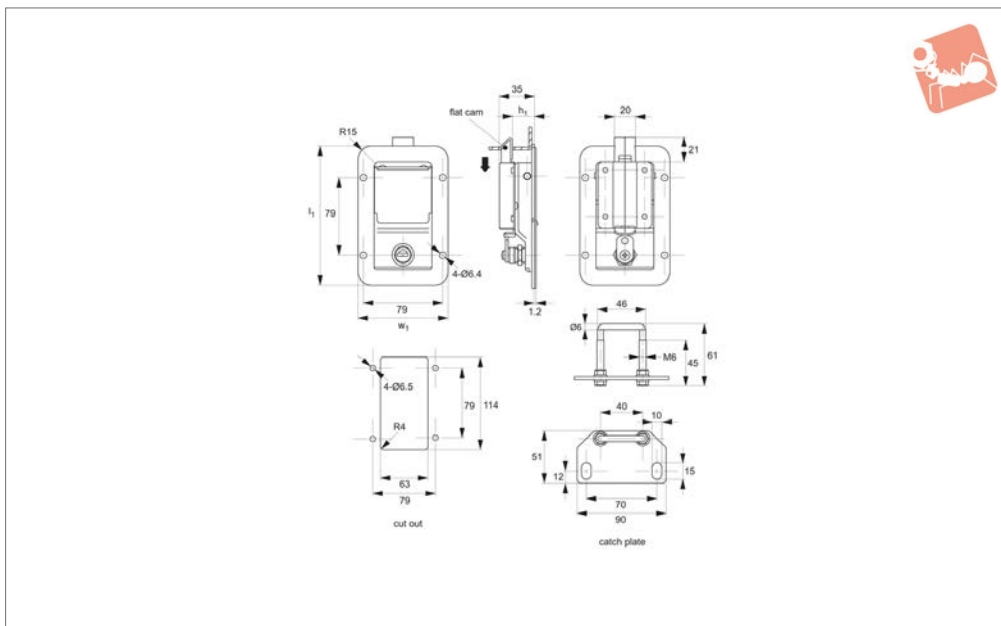
Order No.	Lock type	Type	h	l	w
B4733.AW0010	Std. Cylinder	Latch	30.5	127	101.5
B4733.AW0020	Std. Cylinder	Latch	43.0	127	101.5
B4733.AW0030	Std. Cylinder	Latch	54.0	127	101.5
B4733.AW0040	Blank - No Lock	Latch	30.5	127	101.5
B4733.AW0050	Blank - No Lock	Latch	43.0	127	101.5



PADDLE LATCHES



B4750



Material

Body and Handle: stainless steel, AISI 304.
Cylinder lock: die cast zinc, chrome plated.

Supplied with: Keys: two per lock.

Not Supplied: Catch plate: please order separately.

Technical Notes

Hole fixing type requires 4 off M 6 screws (not supplied) for front mounting.

Spring loaded, slam action handle.

Universal left/right. For use inside of cabinet gasket.

Tips

Fully integrated lock, latch and flush fitting paddle handle, ideal for generators, compressors, electric panels and doors.

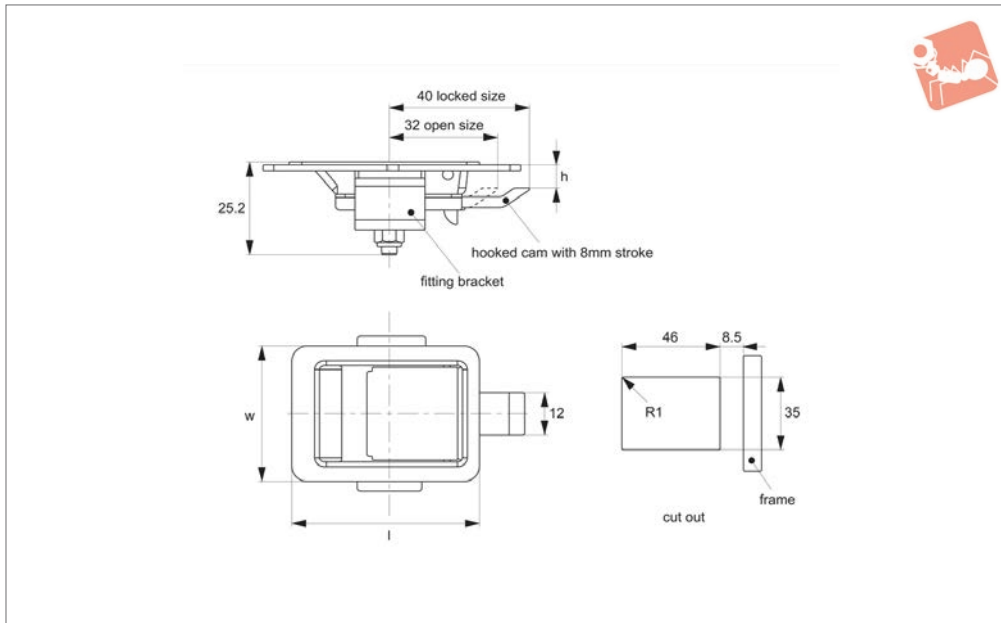
Order No.	Type	h_1	l_1	w_1
B4750.AW0010	With Lock	22	140	90
B4750.AW0020	Blank - No Lock	22	140	90



Push To Close Paddle Latches

pull to open - slam action - stainless steel

Paddle Latches



B4752

PADDLE LATCHES

Material

Body and Handle: stainless steel, AISI 304.

Technical Notes

Spring loaded, slam action handle.
Fitting via mounting bracket. Without

secondary lock, for easy access.

Universal left/right. For use inside of cabinet gasket.

Catch plate B4752.AW0310 available as separate order item.

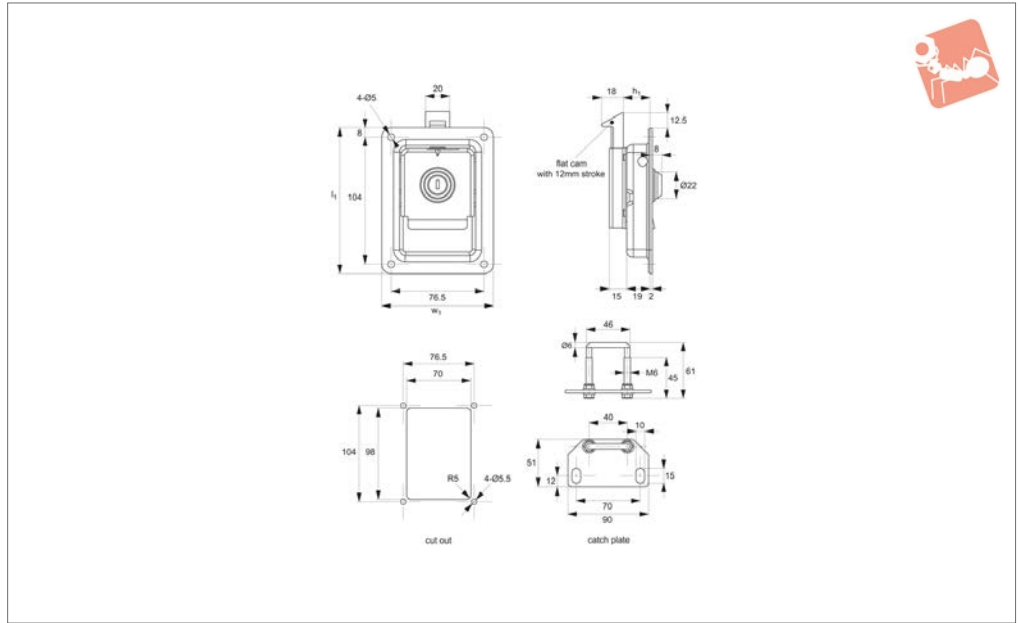
Tips

Fully integrated lock, latch and flush fitting paddle handle, ideal for generators, compressors, electric panels and doors.

Order No.	h	l	w
B4752.AW0010	5	56	42



B4756



Material

Body and Handle: stainless steel, AISI 304, or zinc plated steel.

Cylinder lock: die cast zinc, chrome plated.

Supplied with: Keys: two per lock.

Not Supplied: Catch plate: please order separately.

Technical Notes

Spring loaded, slam action handle.

Hole fixing type requires 4 off M 6 screws (not supplied) for front mounting.

Universal left/right. For use inside of cabinet gasket.

Tips

Fully integrated lock, latch and flush fitting paddle handle, ideal for generators, compressors, electric panels and doors.

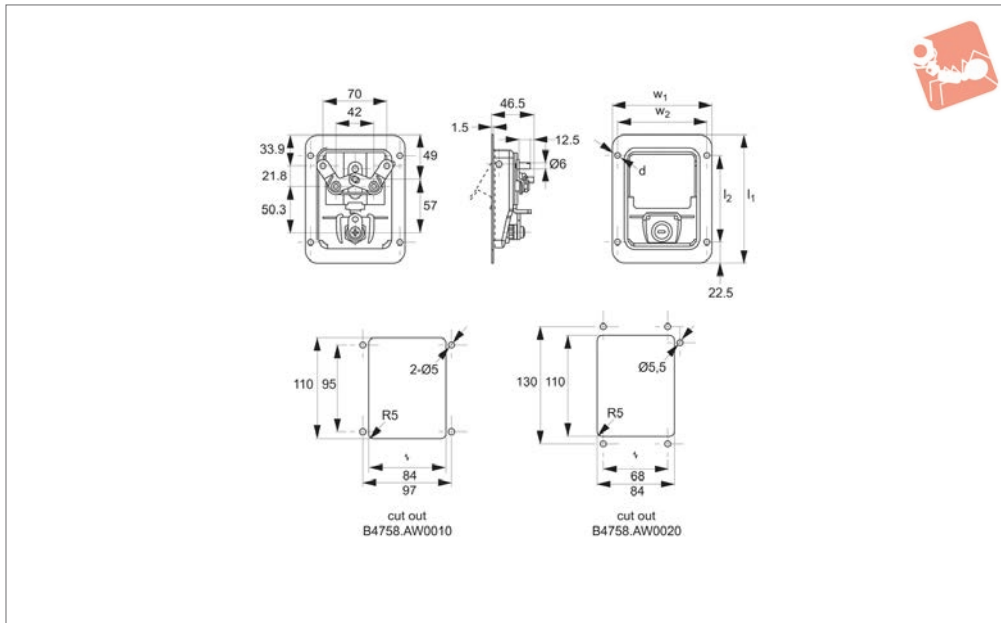
Order No.	Lock type	Material	Key type	h_1	l_1	w_1
B4756.AW0010	Std. Cylinder	Steel	Keyed Alike	22	120	92.5
B4756.AW0020	Std. Cylinder	Stainless Steel	-	22	120	92.5



Push To Close Paddle Latches

pull to open - standard cylinder lock - stainless steel

Paddle Latches



B4758

PADDLE LATCHES

Material

Body and Handle: stainless steel, AISI 303.
Cylinder lock: die cast zinc, chrome plated.

Supplied with: Keys: two per lock.

Not Supplied: Catch plate: please order separately.

Technical Notes

Hole fixing type requires 4 off M 5 screws (not supplied) for front fixing.

Universal left/right. For use inside of cabinet gasket.

Tips

Fully integrated lock, latch and flush fitting paddle handle, ideal for generators, compressors, electric panels and doors.

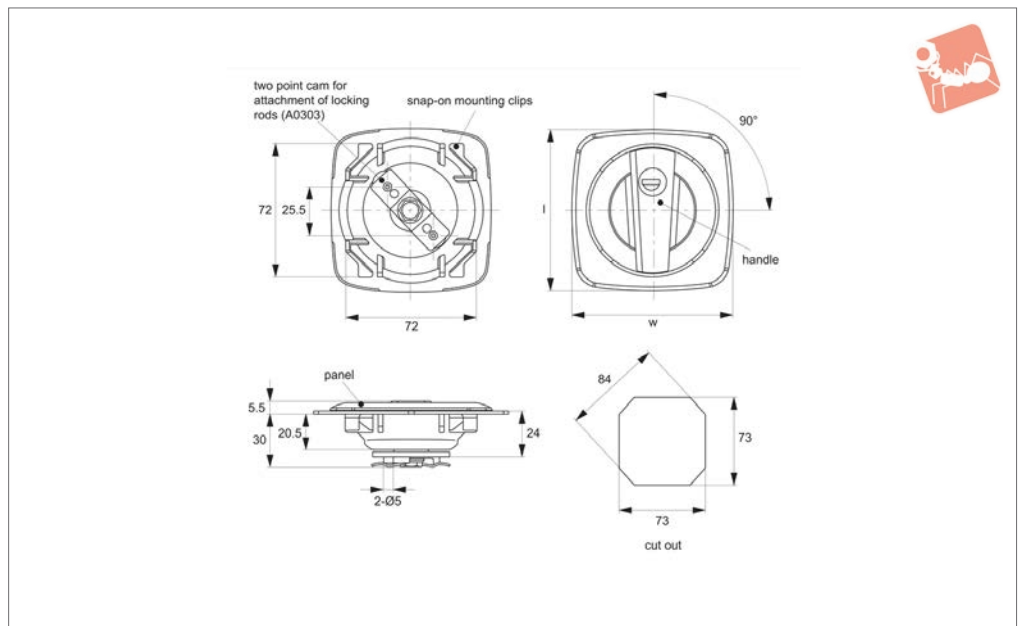
Order No.	Lock type	Type	Key type	d	l ₁	l ₂	w ₁	w ₂
B4758.AW0010	Std. Cylinder	Latch	Keyed Alike	5.5	140	95	108	97
B4758.AW0020	Std. Cylinder	Latch	Keyed Alike	5.0	146	130	146	68



PADDLE LATCHES



B4800



Material

Body and Handle: Polyamide plastic (PA), black.

Cylinder lock: die cast zinc, chrome plated.

Supplied with: Keys: two per lock.

Technical Notes

Easy snap on fix mounting. Make cut out in panel as shown, and simply push in handle, snap on clips will spring back to securely mount handle.

Attach multi-point latching rods (A0303) to achieve two-point latching of cupboards, cabinets or enclosures. Suitable for panel thickness 1 - 1.5mm.

Order No.	Lock type	Key type	l	w
B4800.AW0010	Std. Cylinder	Keyed Alike	88.5	88.5