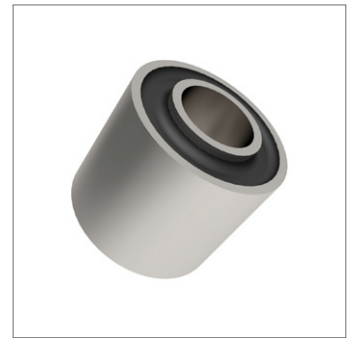
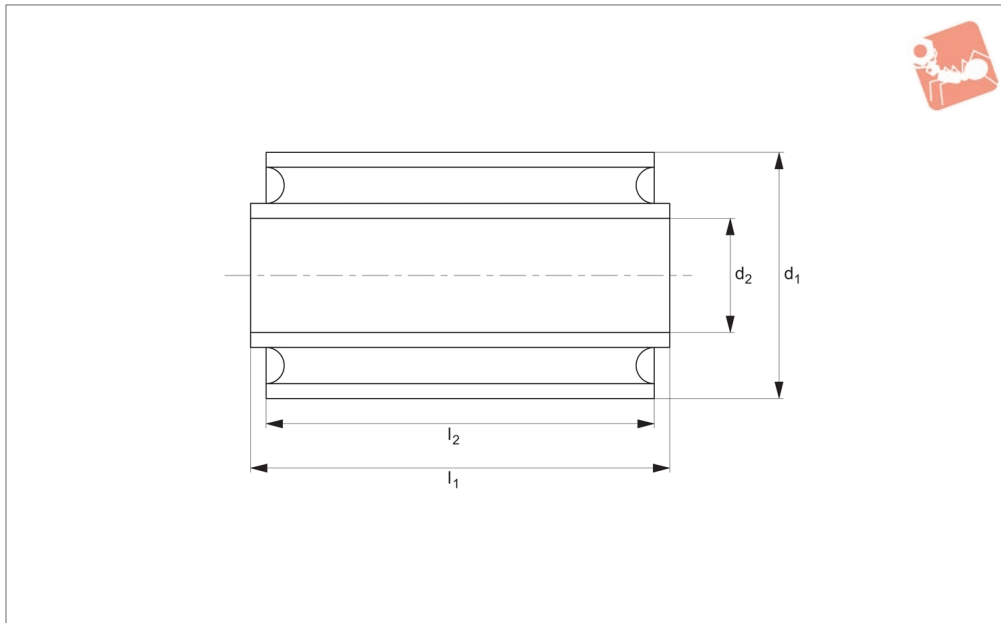




Anti-vibration Bushes

metal-rubber

Anti-Vibration



61700

ANTI-VIBRATION

Material

Rubber on steel.

noise. The internal bush can move axially, radially, torsionally and pendular.

when putting into place.

Technical Notes

Useful to isolate vibration and reduce

Tips

Install by only pushing on external ring

Order No.	d ₁	d ₂	l ₁	l ₂	Radial compression mm	Axial load kgf max.	Radial load kgf max.	Axial compression mm
61700.W0081	16	8	15	15	0.2	15	30	0.8
61700.W0091	20.5	9.5	15	13	0.2	15	35	1.0
61700.W0101	21	10	26	24	0.4	25	70	1.5
61700.W0102	27	10	20	20	0.2	25	80	1.0
61700.W0111	24	11	18	16	0.3	24	90	0.8
61700.W0121	26	12	24	20	0.5	27	70	1.7
61700.W0123	50	12	50	45	1.1	60	200	2.1
61700.W0124	54	12.8	44.5	40	1.0	50	180	2.0
61700.W0141	27	14	54	48	0.4	95	330	1.5
61700.W0142	30	14	28	25	0.3	40	120	2.0
61700.W0144	31	14	35	33	0.3	70	170	2.0
61700.W0145	30	14.5	42	38	0.2	48	150	1.8
61700.W0146	50	14.5	24	20	0.9	45	70	2.0
61700.W0161	44	16	32	28	0.7	47	88	1.6
61700.W0163	54	16	28	22	1.5	40	80	3.4
61700.W0181	35	18	40	40	0.3	80	190	2.0
61700.W0182	43.5	18	42	35	0.8	85	200	3.8
61700.W0201	40	20	46	40	0.4	80	250	1.2
61700.W0202	41	20	20.5	20.5	0.4	40	100	1.0
61700.W0221	40	22	45	40	0.5	115	850	2.2
61700.W0222	63	22	72	65	0.6	265	670	4.0
61700.W0241	42	24	55	50	0.5	150	550	1.8
61700.W0242	50	24	71	65	0.7	220	750	2.4
61700.W0251	45	25	50	50	0.5	150	550	1.8
61700.W0253	65	25	55	45	0.6	180	450	3.8
61700.W0254	83	25	100	90	2.0	130	400	5.0
61700.W0281	48	28	36	34	0.7	100	210	2.5
61700.W0283	65	28	70	65	1.7	280	600	4.8
61700.W0284	75	28	135	125	0.5	480	1600	2.3
61700.W0381	64	38	76	70	0.4	380	860	2.6
61700.W0401	75	40	70	57	0.6	350	600	2.8
61700.W0421	78	42	86	80	0.5	350	1100	2.4
61700.W0481	93	48	80	76	0.6	800	1500	5.3



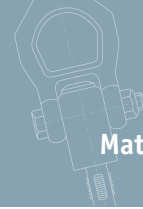
Order No.	d ₁	d ₂	l ₁	l ₂	Radial compression mm	Axial load kgf max.	Radial load kgf max.	Axial compression mm
61700.W0501	90	50	100	86	0.5	800	1500	5.1
61700.W0581	85	58	142	90	0.5	350	1800	1.6
61700.W0601	110	60	182	170	0.6	800	3000	1.8
61700.W0701	120	70	115	110	1.0	800	3500	3.5
61700.W0801	140	80	180	170	0.5	1500	7500	2.5
61700.W0901	145	100	120	110	0.4	850	2700	2.2

ANTI-VIBRATION



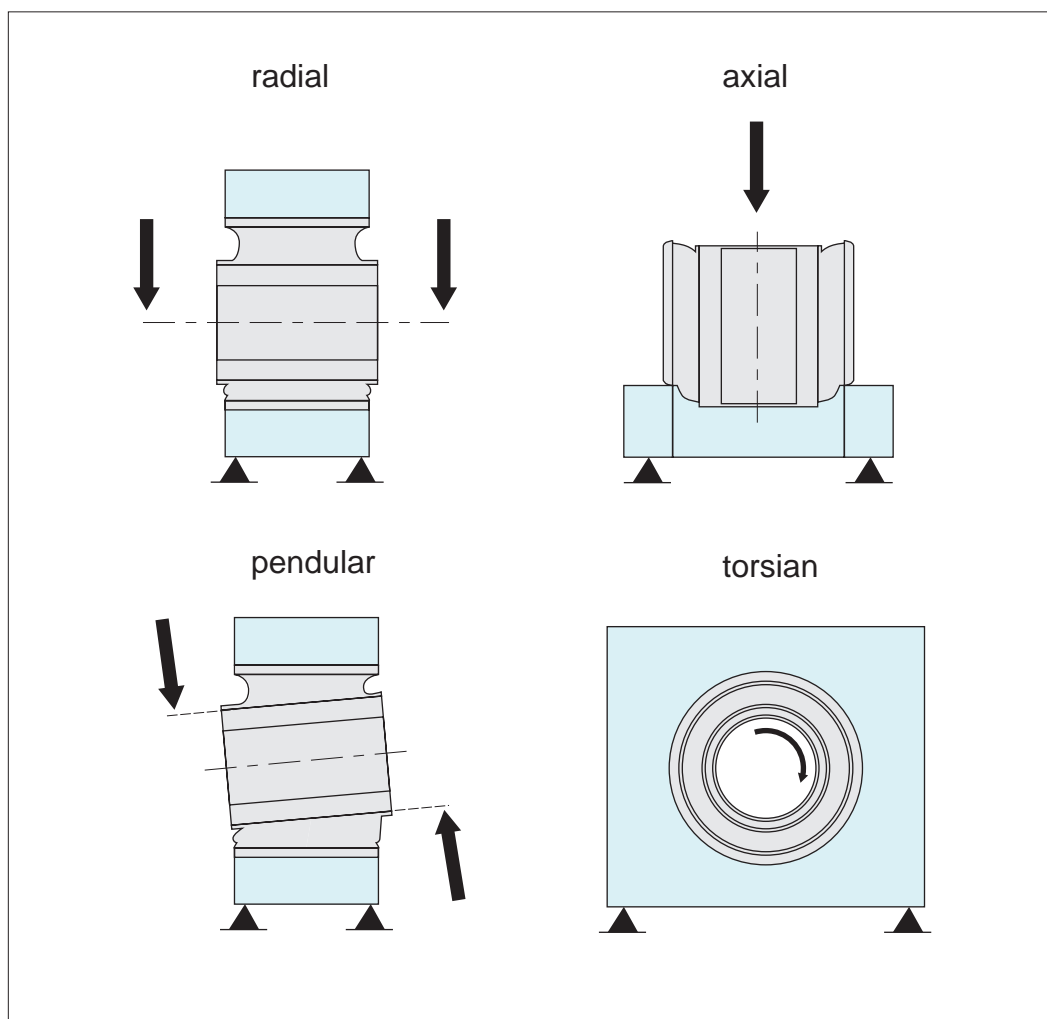
Anti-vibration Bushes

metal-rubber



61700
Materials Handling

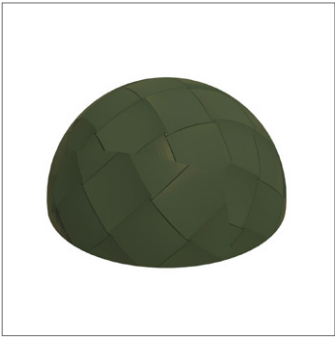
Range of movement



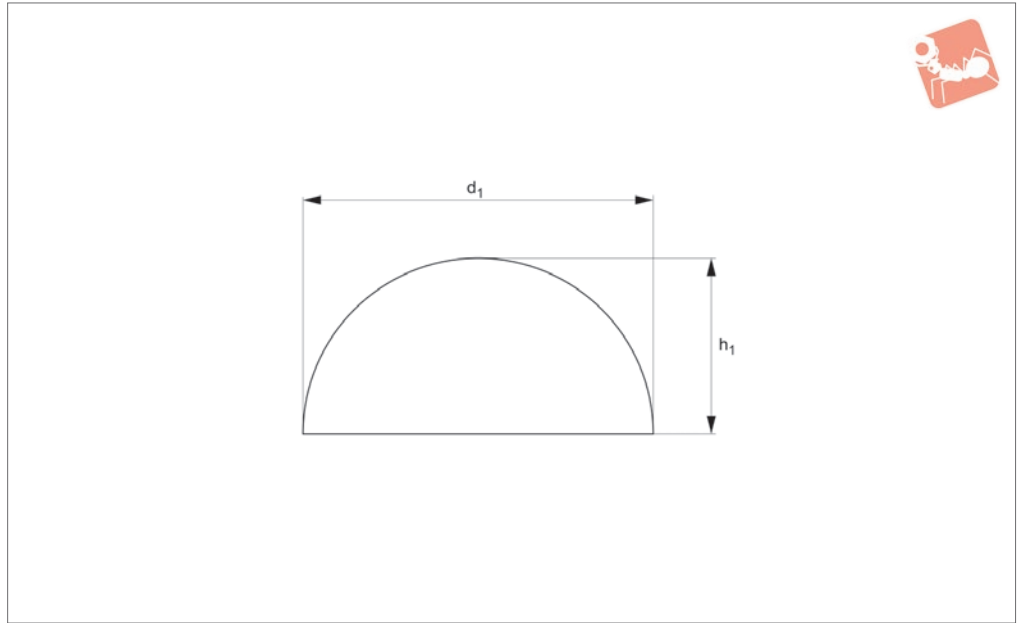
ANTI-VIBRATION

Inside diameter (d ₂)	Tolerances	Inside diameter (d ₁)	Tolerances
From 8mm to 15mm	-0 / + 0,15	From 16mm to 30mm	-0 / + 0,10
From 16mm to 25mm	-0 / + 0,30	From 31mm to 70mm	-0 / + 0,15
From 26mm to 50mm	-0 / + 0,30	From 71mm to 100mm	-0 / + 0,10

ov-W61700-A-T-anti-vibration-bushes-metal-rubber-rmh-Updated-28-10-2022



61820



Material

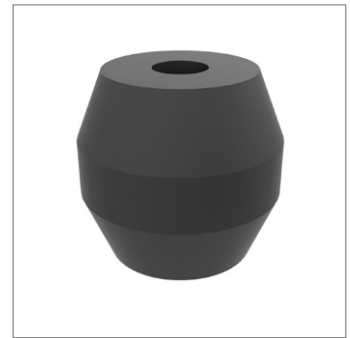
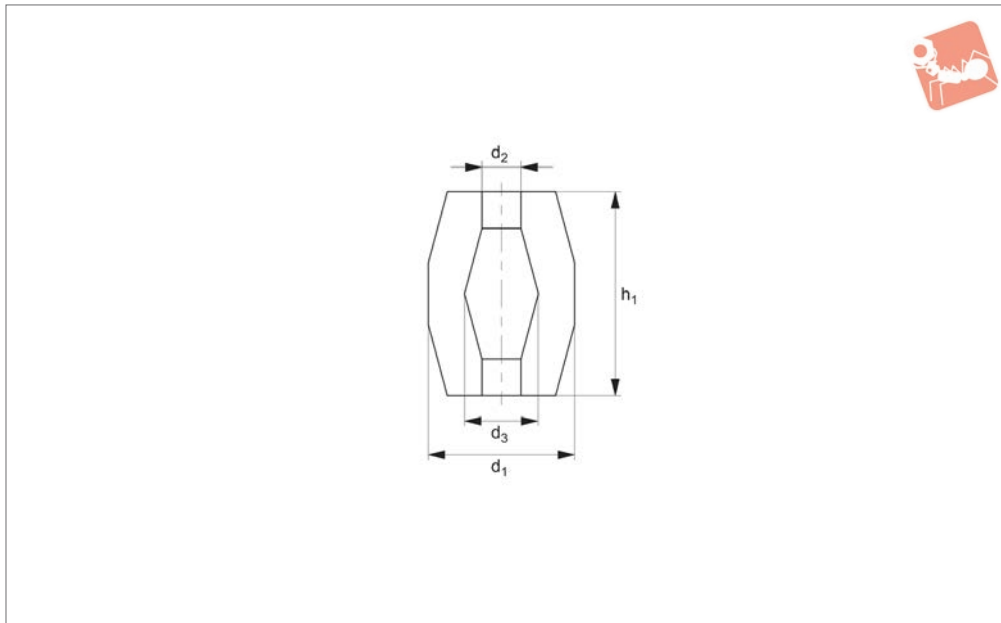
Sorbothane.

Technical Notes

Sorbothane hemisphere mounts provide a

quick, cost effective method of isolating bench equipment and small machinery. Simply place the hemisphere under the unit to be isolated with the curved surface

up. Expect a 25-30% deflection when statically loaded.



61830

ANTI-VIBRATION

Material

Rubber (hardness - 55 Shore A).

Technical Notes

Used in a wide range of vibrating

machines.

Allows high deformation with excellent spring back characteristics.

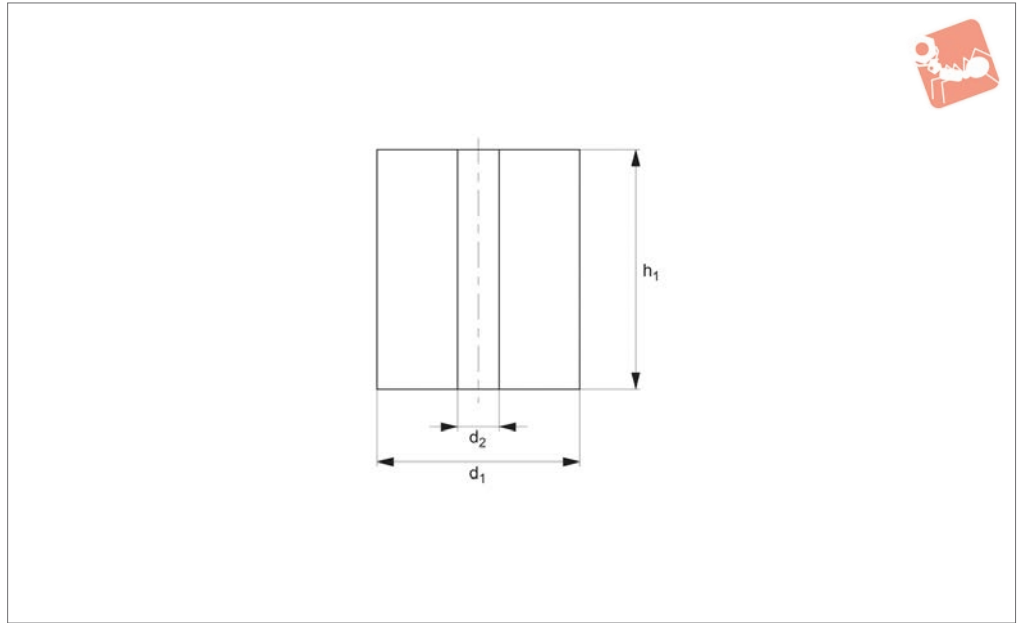
Supports axial and radial loads but not

designed for traction or tension loads. For radial loads please contact our Technical Department.

Order No.	d_1	h_1	d_2	d_3	Compression max.	Axial load kgf max.
61830.W0001	95	88	23	30	28	200
61830.W0002	100	110	20	30	36	500
61830.W0004	150	90	35	35	24	2000
61830.W0006	188	180	41	41	80	3500
61830.W0005	155	150	30	25	64	2500
61830.W0003	144	122	40	23	48	1000



61850



Material

Rubber (hardness - Shore 55 A).

Technical Notes

Used in a wide range of vibrating

machines.

Allows high deformation with excellent spring back characteristics.

Supports axial and radial loads but not

designed for traction or tension loads. For radial loads please contact our technical team.

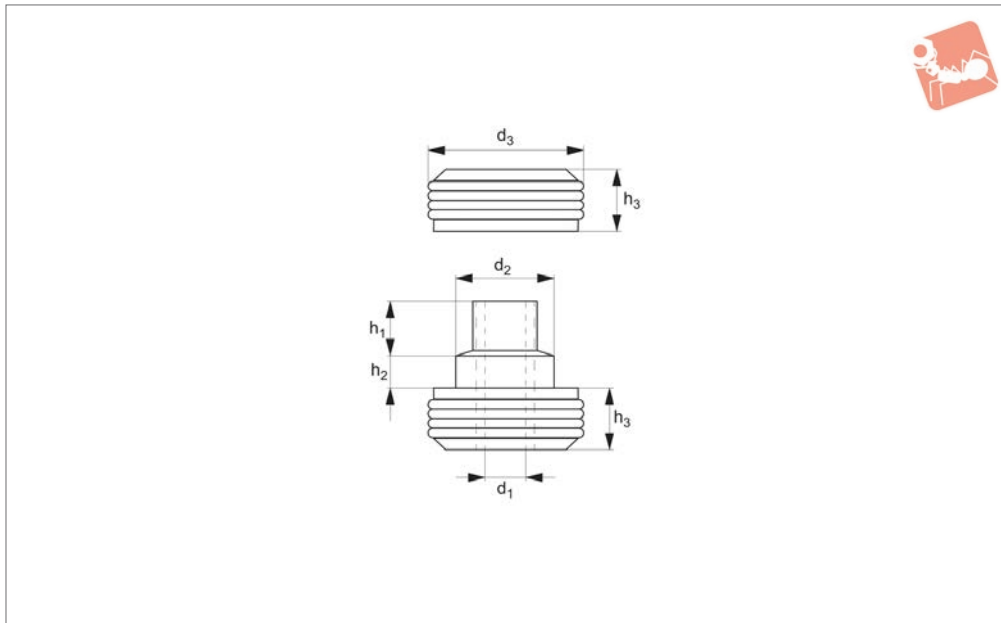
Order No.	d ₁	h ₁	d ₂
61850.W0020	20	15	6
61850.W0030	30	20	8
61850.W0031	30	22	8
61850.W0035	35	30	12
61850.W0036	35	40	12
61850.W0040	40	30	10
61850.W0045	45	35	10
61850.W0046	45	45	10
61850.W0050	50	45	10
61850.W0060	60	40	12
61850.W0070	70	45	14
61850.W0080	80	50	16
61850.W0081	80	80	20
61850.W0093	93	120	20
61850.W0100	100	60	20
61850.W0102	100	147	20
61850.W0110	110	70	22
61850.W0130	130	60	25
61850.W0148	148	190	50
61850.W0160	160	100	30
61850.W0170	170	110	31
61850.W0200	200	125	70
61850.W0250	250	300	60



Anti-vibration Bushes

rubber, two-piece

Anti-Vibration



61855

ANTI-VIBRATION

Material

Rubber on silver zinc plated steel

Technical Notes

This anti-vibration mount is ideal for applications of major dynamic loads where

movement control is necessary, such as in the cabin of all types of mobile vehicles. It also offers optimal stability, as well as good attenuation of impacts and vibrations.

Important Notes

The double washer mounts are made of two parts of rubber, one of which bears an inside metal bushing which acts as a guide through the machine anchoring screw.

Order No.	d ₁	h ₁	d ₂	d ₃	h ₂	h ₃	Load kgf	Plate min.	Plate max.	Weight g
61855.W0500	13.5	18.5	31.5	49	11	20	80	12.5	14	153
61855.W0501	13.5	18.5	31.5	49	11	20	130	12.5	14	153
61855.W0650	17.0	24.0	39.5	64	15	23	120	19.0	22	350
61855.W0651	17.0	24	39.5	64	15	23	260	19.0	22	350
61855.W0900	23.0	31.0	58.0	88	17	25	260	25.0	29	675
61855.W0901	23.0	31.0	58.0	88	17	25	450	25.0	29	675