

**61780**

ANTI-VIBRATION

**Material**

Rubber (hardness - 55 Shore A).

**Technical Notes**

The pad can be cut to suit the application

as required.

Differs from a plain rubber mat as the squared units can deform - improving its anti-vibration features.

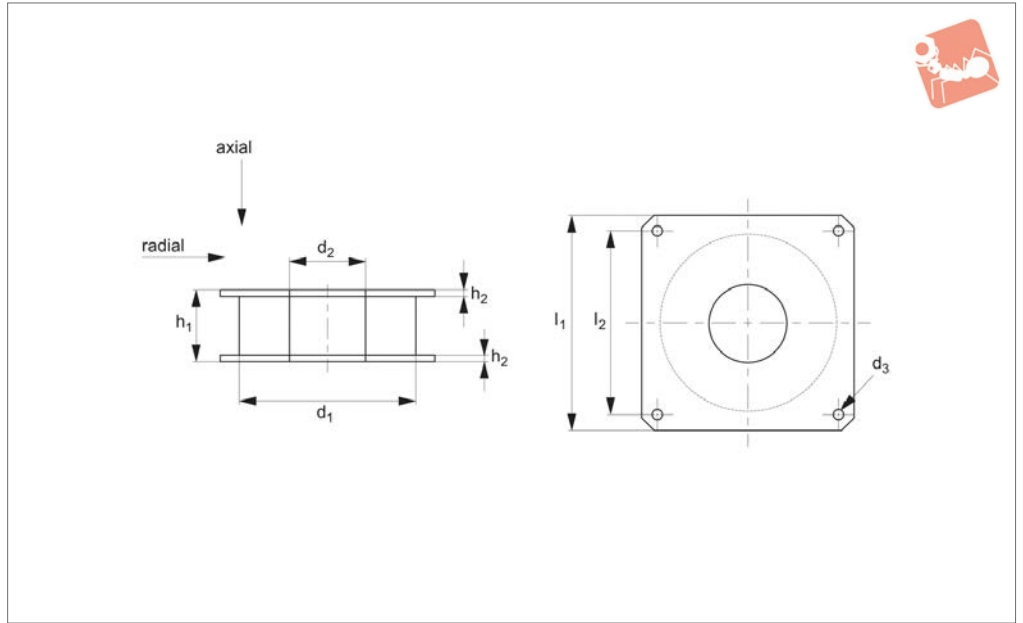
**Tips**

High frequency isolation (30-40Hz).  
Own frequency 18Hz.

Order No.	$l_1$	$l_2$	$h_1$	Compression max.	Load $\text{kgf/cm}^2$ max.
61780.W0210	210	10	14	2	8
61780.W0302	300	10	5	1	8
61780.W0301	300	10	7	1.6	8
61780.W0500	500	10	7	1	8



**61800**



ANTI-VIBRATION

**Material**

Rubber on silver zinc plated steel (rubber hardness - 65 Shore A).

Order No.	$l_1$	$d_1$	$d_2$	$d_3$	$l_2$	$h_1$	$h_2$	Axial compression max.	Radial compression max.	Axial load kgf max.	Radial load kgf max.
<b>61800.W0135</b>	135	120	50	9	105	42	3	15	10	2500	300
<b>61800.W0170</b>	170	140	65	15	145	100	4	15	10	2500	300
<b>61800.W0180</b>	180	160	60	9	140	46	4	15	10	2500	300
<b>61800.W0210</b>	210	185	70	11	165	55	5	15	10	2500	300
<b>61800.W0250</b>	250	230	100	16	215	48	4	15	10	2500	300