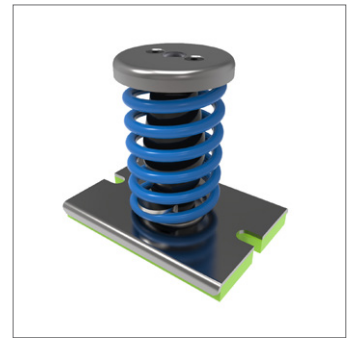
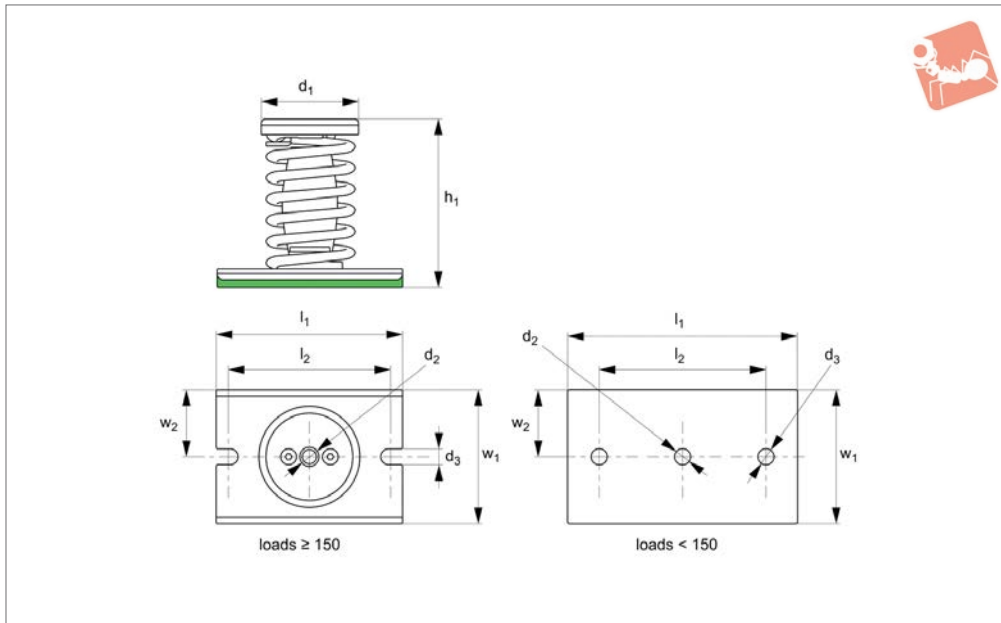




Spring Vibration Damper one spring one spring

Anti-Vibration



61922

ANTI-VIBRATION

Material

High tensile steel with sylomer anti-slide base.

porate, isolates the mid-high frequency vibrations which are transmitted through the coils of the metal springs.

compressors, pump and pumping equipment and acoustic isolation of premises.

Technical Notes

The sylomer mat that these dampers incor-

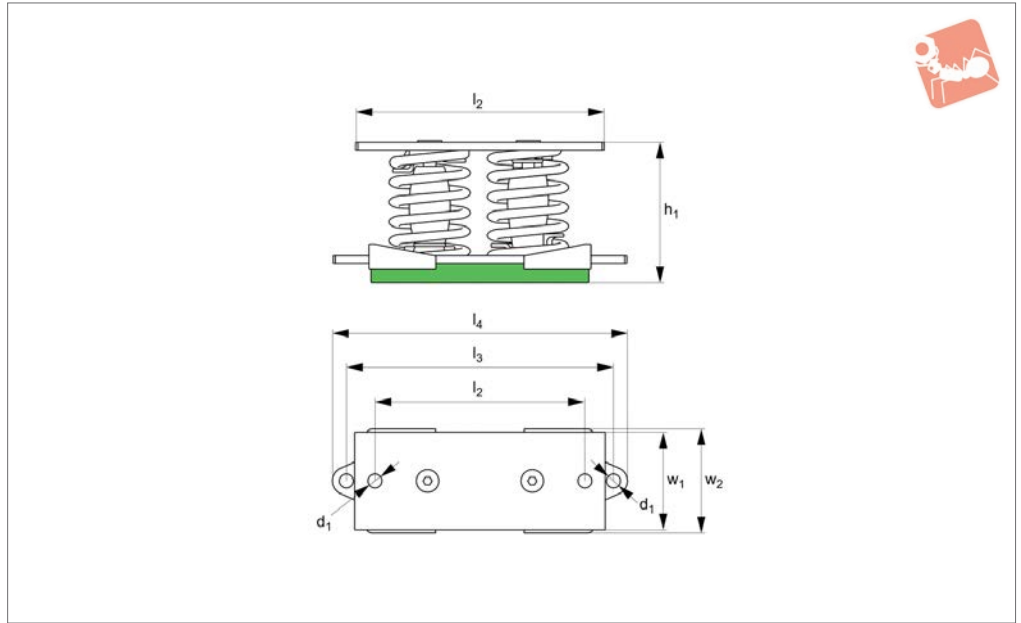
Tips

These are used in sectors such as air

Order No.	Spring colour	l_1	h_1	d_1	w_1	d_2	d_3	l_2	w_2	Compression max.	Load kgf max.	Weight kg
61922.W0080	Black	100	78	54	69.5	M 8	8.5	80	34.75	20	25	0.29
61922.W0081	Blue	100	78	54	69.5	M 8	8.5	80	34.75	20	50	0.27
61922.W0082	Grey	100	78	54	69.5	M 8	8.5	80	34.75	20	75	0.30
61922.W0083	Beige	100	78	54	69.5	M 8	8.5	80	34.75	20	100	0.35
61922.W0084	White	100	78	54	69.5	M 8	8.5	80	34.75	20	125	0.395
61922.W0120	Blue	140	127	75	98.5	M12	12	120	49.25	30	150	1.10
61922.W0121	White	140	127	75	98.5	M12	12	120	49.25	30	200	1.14
61922.W0122	Black	140	127	75	98.5	M12	12	120	49.25	30	250	1.23
61922.W0123	Cream	140	127	75	98.5	M12	12	120	49.25	30	350	1.39
61922.W0140	Light Grey	140	127	93	98.5	M14	12	120	49.25	18	500	2.56
61922.W0141	Green	140	127	93	98.5	M14	12	120	49.25	18	750	3.04



61923



Material

High tensile steel with sylomer anti-slide base

porate, isolates the mid-high frequency vibrations which are transmitted through the coils of the metal springs.

compressors, pump and pumping equipment and acoustic isolation of premises.

Technical Notes

The sylomer mat that these dampers incor-

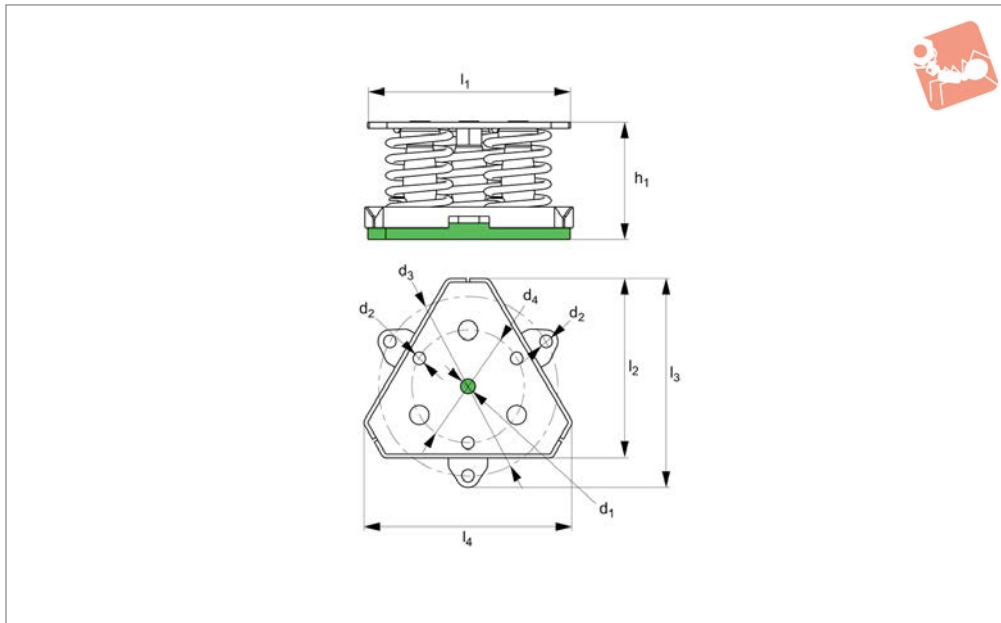
Tips

These are used in sectors such as air

Order No.	Spring colour	l_1	h	d	w_1	l_2	l_3	l_4	w_2	Compression max.	Load kgf max.	Weight kg
61923.W0120	Blue	200	136	12	75	170	220	244	81	30	300	3.10
61923.W0121	White	200	136	12	75	170	220	244	81	30	400	3.17
61923.W0122	Black	200	136	12	75	170	220	244	81	30	500	3.35
61923.W0123	Cream	200	136	12	75	170	220	244	81	30	700	3.70
61923.W0140	Light Grey	250	136	14	100	210	270	298	106	17	1000	5.90
61923.W0141	Green	250	136	14	100	210	270	298	106	17	1500	6.84



Spring Vibration Damper three spring three spring



61924

ANTI-VIBRATION

Material

High tensile steel with sylomer anti-slide base

porate, isolates the mid-high frequency vibrations which are transmitted through the coils of the metal springs.

compressors, pump and pumping equipment and acoustic isolation of premises.

Technical Notes

The sylomer mat that these dampers incor-

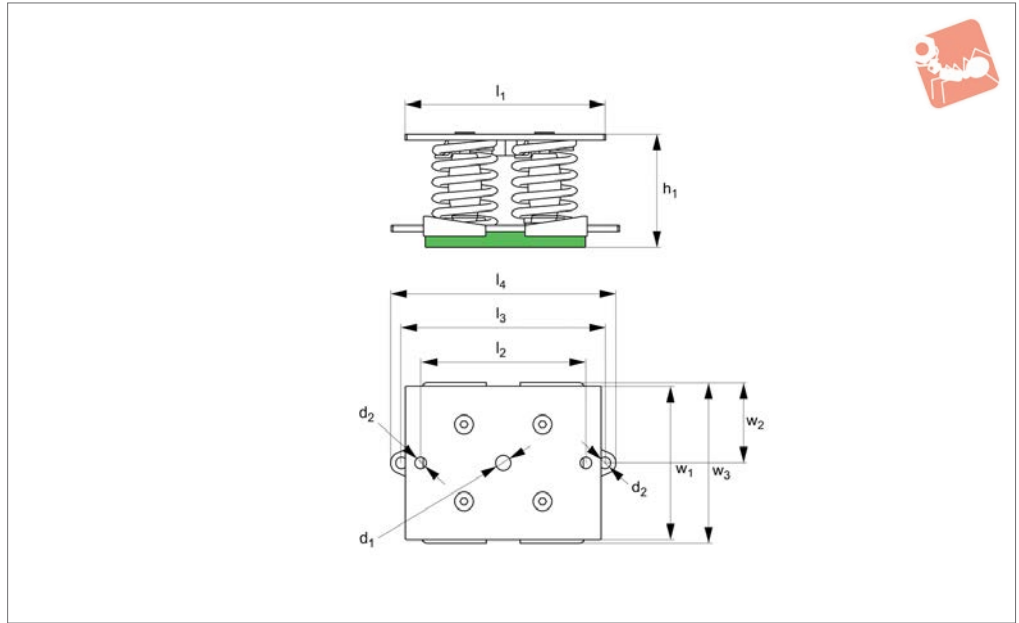
Tips

These are used in sectors such as air

Order No.	Spring colour	l_1	h	d_1	d_2	d_3	l_2	l_3	l_4	Compression max.	Load kgf max.	Weight kg
61924.W0160	Blue	196.3	136	M16	12	180	175	207.7	201.4	30	450	4.60
61924.W0161	White	196.3	136	M16	12	180	176	207.7	201.4	30	600	4.71
61924.W0162	Black	196.3	136	M16	12	180	176	207.7	201.4	30	750	4.98
61924.W0163	Cream	196.3	136	M16	12	180	176	207.7	201.4	30	1050	5.52
61924.W0200	Light Grey	246.0	136	M20	14	220	219	255.7	251.0	17	1500	8.56
61924.W0201	Green	246.0	136	M20	14	220	219	255.7	251.0	17	2250	9.96



61925



Material

High tensile steel with sylomer anti-slide base.

porate, isolates the mid-high frequency vibrations which are transmitted through the coils of the metal springs.

compressors, pump and pumping equipment and acoustic isolation of premises.

Technical Notes

The sylomer mat that these dampers incor-

Tips

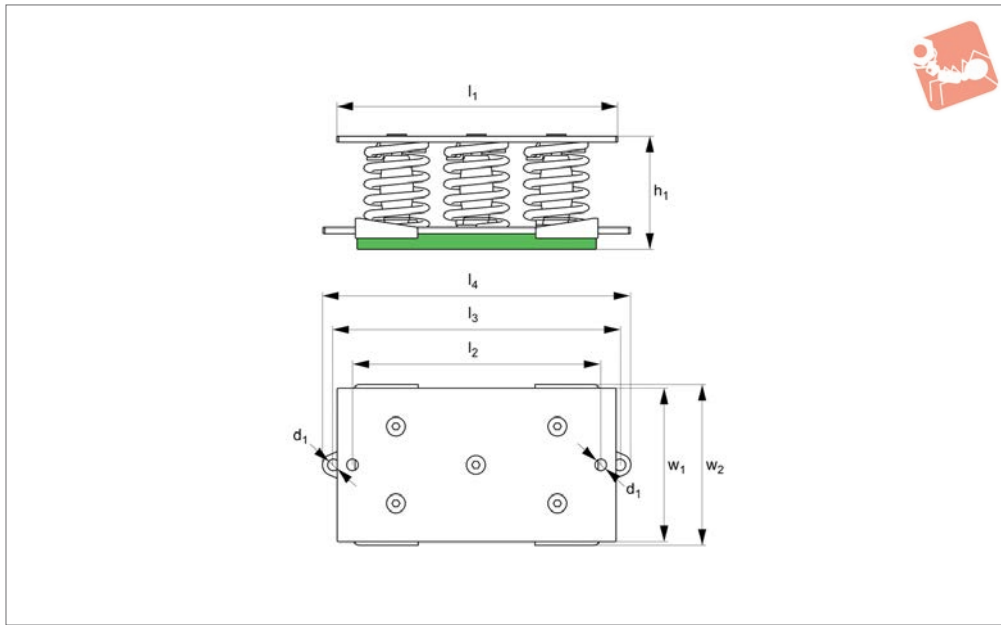
These are used in sectors such as air

Order No.	Spring colour	l_1	h	d_1	w_1	d_2	l_2	l_3	l_4	w_2	w_3	Compression max.	Load kgf max.	Weight kg
61925.W0160	Blue	200	136	M16	150	12	170	190	214	75	156	30	600	6.41
61925.W0161	White	200	136	M16	150	12	170	190	214	75	156	30	800	6.57
61925.W0162	Black	200	136	M16	150	12	170	190	214	75	156	30	1000	6.70
61925.W0163	Cream	200	136	M16	150	12	170	190	214	75	156	30	1400	7.64
61925.W0200	Light Grey	250	136	M20	200	14	210	260	288	100	206	18	2000	12.10
61925.W0201	Green	250	136	M20	200	14	210	260	288	100	206	18	3000	13.96



Spring Vibration Damper five spring five spring

Anti-Vibration



61926

ANTI-VIBRATION

Material

High tensile steel with sylomer anti-slide base.

porate, isolates the mid-high frequency vibrations which are transmitted through the coils of the metal springs.

compressors, pump and pumping equipment and acoustic isolation of premises.

Technical Notes

The sylomer mat that these dampers incor-

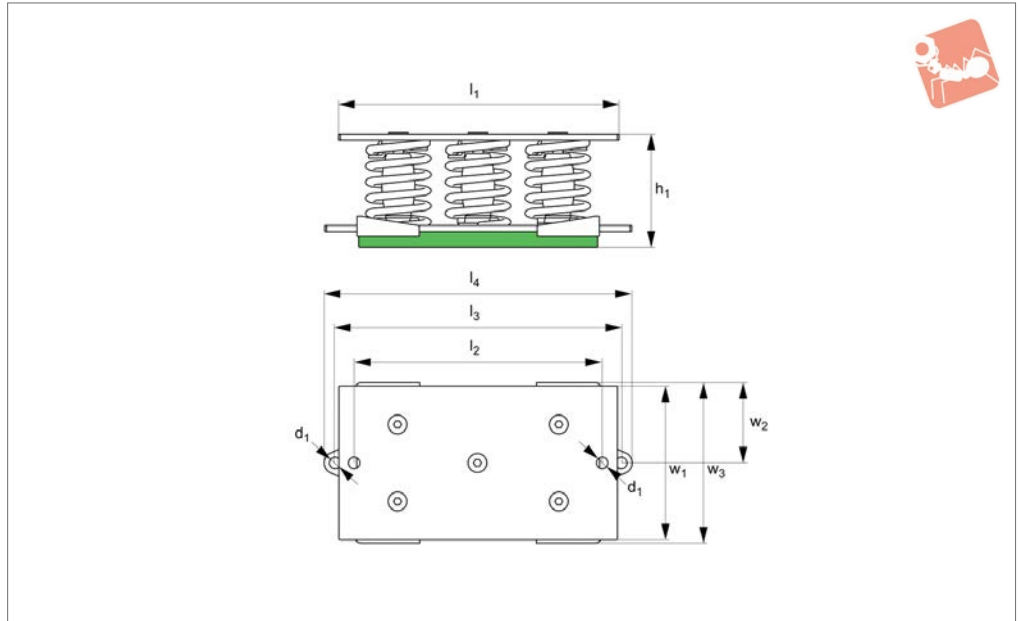
Tips

These are used in sectors such as air

Order No.	Spring colour	l_1	h	d	w_1	l_2	l_3	l_4	w_2	Compression max.	Load kgf max.	Weight kg
61926.W0160	Blue	280	136	16	150	251	290	322	156	30	750	8.50
61926.W0161	White	280	136	16	150	251	290	322	156	30	1000	8.69
61926.W0162	Black	280	136	16	150	251	290	322	156	30	1250	9.16
61926.W0163	Cream	280	136	16	150	251	290	322	156	30	1750	10.03
61926.W0180	Light Grey	350	136	18	200	315	360	396	206	18	2500	15.71
61926.W0181	Green	350	136	18	200	315	360	396	206	18	3750	18.05



61927



ANTI-VIBRATION

Material

High tensile steel with sylomer anti-slide base.

Technical Notes

The sylomer mat that these dampers incor-

porate, isolates the mid-high frequency vibrations which are transmitted through the coils of the metal springs.

Tips

These are used in sectors such as air

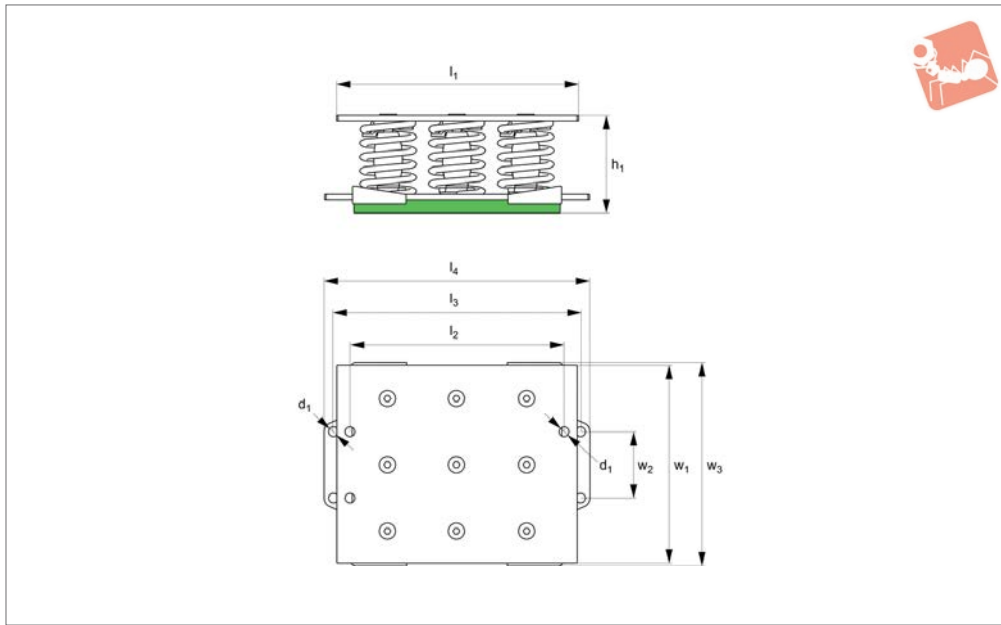
compressors, pump and pumping equipment and acoustic isolation of premises.

Order No.	Spring colour	l_1	h	d	w_1	l_2	l_3	l_4	w_2	w_3	Compression max.	Load kgf max.	Weight kg
61927.W0160	Blue	280	136	16	150	248	290	322	75	156	30	900	8.93
61927.W0161	White	280	136	16	150	248	290	322	75	156	30	1200	9.16
61927.W0162	Black	280	136	16	150	248	290	322	75	156	30	1500	9.68
61927.W0163	Cream	280	136	16	150	248	290	322	75	156	30	2100	10.77
61927.W0180	Light Grey	350	136	18	200	300	360	396	100	206	18	3000	16.84
61927.W0181	Green	350	136	18	200	300	360	396	100	206	18	4500	19.65



Spring Vibration Damper nine spring nine spring

Anti-Vibration



61928

ANTI-VIBRATION

Material

High tensile steel with sylomer anti-slide base.

porate, isolates the mid-high frequency vibrations which are transmitted through the coils of the metal springs.

compressors, pump and pumping equipment and acoustic isolation of premises.

Technical Notes

The sylomer mat that these dampers incor-

Tips

These are used in sectors such as air

Order No.	Spring colour	l_1	h	d	w_1	l_2	l_3	l_4	w_2	w_3	Compression max.	Load kgf max.	Weight kg
61928.W0160	Blue	280	136	16	226	248	290	322	75	232	30	1350	13.70
61928.W0161	White	280	136	16	226	248	290	322	75	232	30	1800	14.04
61928.W0162	Black	280	136	16	226	248	290	322	75	232	30	2250	14.83
61928.W0163	Cream	280	136	16	226	248	290	322	75	232	30	3150	16.46
61928.W0180	Light Grey	350	136	18	300	310	360	396	150	306	18	4500	21.54
61928.W0181	Green	350	136	18	300	310	360	396	150	306	18	6750	31.75