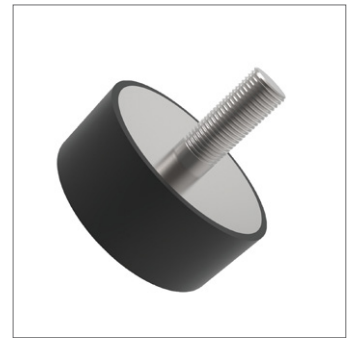
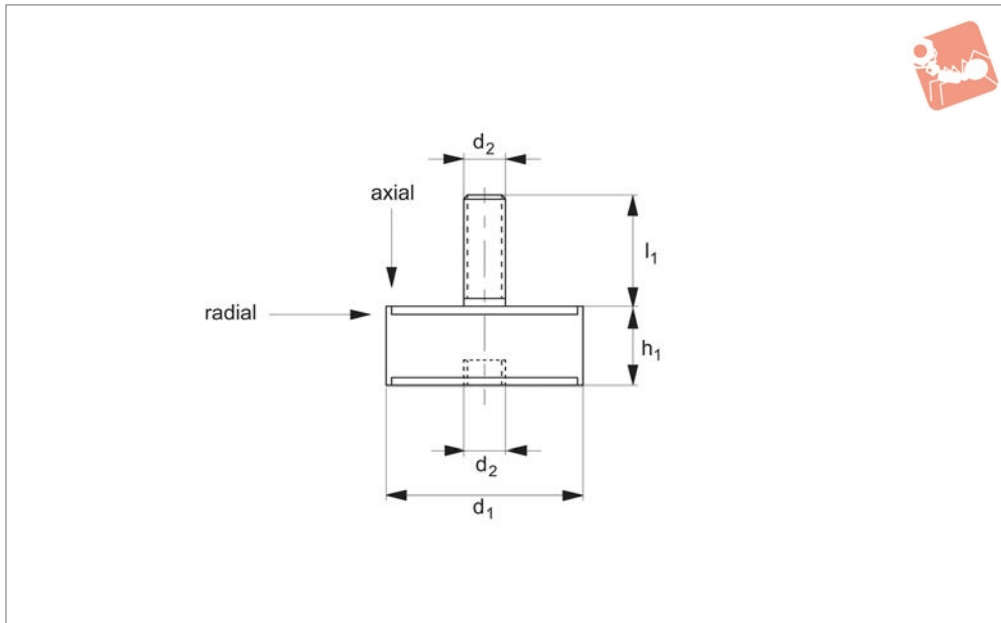




Anti-vibration Cylinders

male:female

Anti-Vibration



61060

ANTI-VIBRATION

Material

Rubber on silver zinc plated steel (rubber hardness - 55 Shore A).

Technical Notes

Load tolerance parts with small diameters

(d_1) and relatively long length (h) cannot accept radial loads (as shown in table).

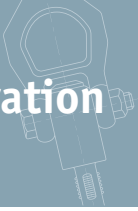
Tips

These cylinders are used to reduce vibra-

tion by allowing some movement (in axial and radial as shown).

Typically used in machinery, compressors, air conditioning units, light engineering equipment etc.

Order No.	d_1	h_1	d_2	l_1	Compression max.	Axial load kgf max.	Radial load kgf max.
61060.W0153	15	22	M 4	14	4.5	10	2.5
61060.W0081	8	8	M 3	10	1.5	3.5	-
61060.W0101	10	10	M 4	10	2.0	10	1.2
61060.W0121	12	31	M 5	20	3.5	6	1.3
61060.W0152	15	20	M 4	10	4.0	10	2.0
61060.W0154	15	25	M 4	10	5.0	9.5	2.0
61060.W0201	20	15	M 6	13	3.0	25	5.0
61060.W0202	20	20	M 6	18	4.0	25	4.0
61060.W0203	20	25	M 6	18	5.0	25	4.0
61060.W0204	20	30	M 6	18	7.0	25	3.0
61060.W0205	20	35	M 6	16	8.0	18	2.0
61060.W0251	25	15	M 6	16	3.0	50	8.0
61060.W0252	25	20	M 6	16	4.0	50	8.0
61060.W0253	25	25	M 6	18	5.0	40	7.0
61060.W0254	25	30	M 6	16	6.0	40	7.0
61060.W0255	25	35	M 6	18	8.0	36	6.0
61060.W0301	30	15	M 8	20	3.0	90	12.0
61060.W0302	30	20	M 8	20	4.0	90	11.0
61060.W0303	30	25	M 8	20	5.0	85	10.0
61060.W0304	30	30	M 8	20	6.0	80	10.0
61060.W0351	35	40	M 8	20	8.5	60	13.0
61060.W0401	40	30	M 8	20	8.0	150	21.0
61060.W0402	40	40	M 8	20	10.0	120	22.0
61060.W0403	40	50	M 8	23	13.0	80	18.0
61060.W0451	45	30	M 8	23	9.0	112	24.0
61060.W0500	50	30	M10	25	8.0	250	29.0
61060.W0501	50	40	M10	25	10.0	220	29.0
61060.W0502	50	45	M10	25	11.0	210	28.0
61060.W0503	50	50	M10	25	12.0	200	28.0
61060.W0504	50	60	M10	28	13.5	110	28.0
61060.W0601	60	30	M10	28	6.0	200	37.0



ANTI-VIBRATION

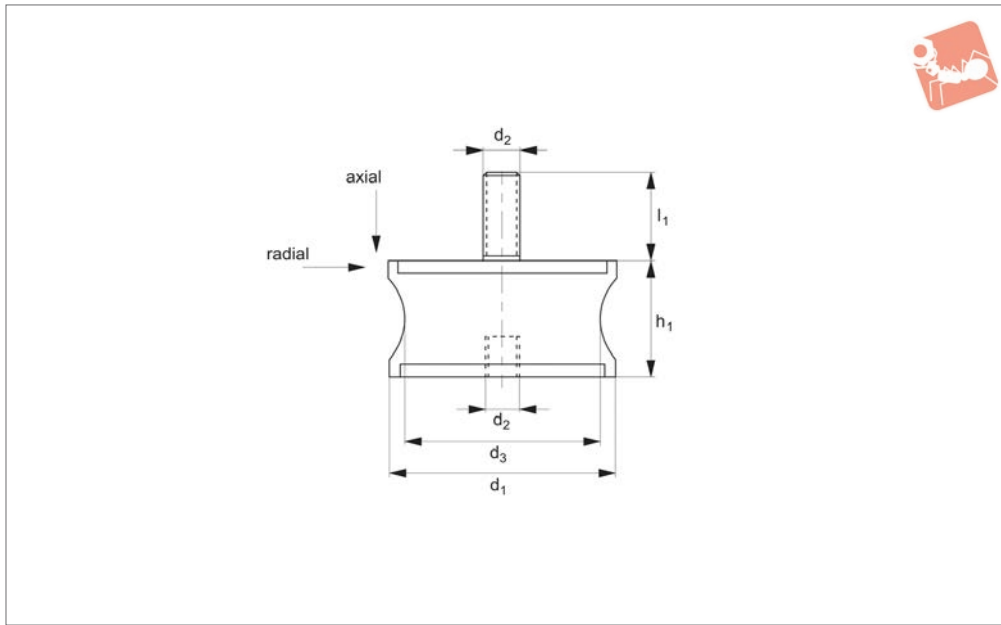
Order No.	d ₁	h ₁	d ₂	l ₁	Compression max.	Axial load kgf max.	Radial load kgf max.
61060.W0602	60	35	M10	30	7.0	350	39.0
61060.W0603	60	45	M10	30	10.0	300	42.0
61060.W0604	60	50	M10	37	11.0	185	42.0
61060.W0701	70	45	M10	35	8.5	270	55.0
61060.W0702	70	50	M10	30	10.0	350	52.0
61060.W0703	70	55	M10	35	10.5	240	49.0
61060.W0751	75	25	M12	35	5.0	350	75.0
61060.W0752	75	30	M12	37	7.0	345	72.0
61060.W0753	75	40	M12	35	9.0	500	65.0
61060.W0755	75	55	M12	35	13.0	450	65.0
61060.W0801	80	30	M14	35	5.5	900	75.0
61060.W0802	80	40	M14	35	9.0	600	72.0
61060.W0803	80	50	M14	35	10.0	750	65.0
61060.W0804	80	70	M14	35	15.0	550	65.0
61060.W0951	95	40	M14	45	8.0	1200	70.0
61060.W0952	95	55	M14	45	11.0	1000	70.0
61060.W0953	95	60	M16	45	12.0	800	70.0
61060.W0954	95	75	M16	45	13.0	700	70.0
61060.W1001	100	40	M16	45	8.0	1200	95.0
61060.W1002	100	60	M16	45	15.0	1100	90.0
61060.W1003	100	75	M16	45	17.0	1000	80.0
61060.W1201	120	50	M16	45	9.0	1500	100.0
61060.W1202	120	75	M16	45	13.0	1500	100.0
61060.W1203	120	100	M16	45	16.0	1000	100.0
61060.W1301	130	40	M16	45	16.0	1900	120.0
61060.W1302	130	50	M16	45	9.0	1600	120.0
61060.W1303	130	75	M16	45	13.0	1450	120.0
61060.W1304	130	100	M16	45	16.0	1200	120.0
61060.W1501	150	50	M20	20	9.0	1800	150.0
61060.W1502	150	60	M20	20	14.0	1800	150.0
61060.W1503	150	75	M20	20	16.0	2000	150.0
61060.W1504	150	100	M20	20	16.0	1400	150.0
61060.W1505	150	120	M20	20	16.0	1300	150.0
61060.W1506	150	140	M20	20	16.0	1200	150.0



Anti-vibration Cylinders Waisted

male:female

Anti-Vibration



61110

ANTI-VIBRATION

Material

Rubber on silver zinc plated steel (rubber hardness - 55 Shore A).

Tips

These cylinders are used to reduce vibra-

tion by allowing some movement (in axial and radial as shown).

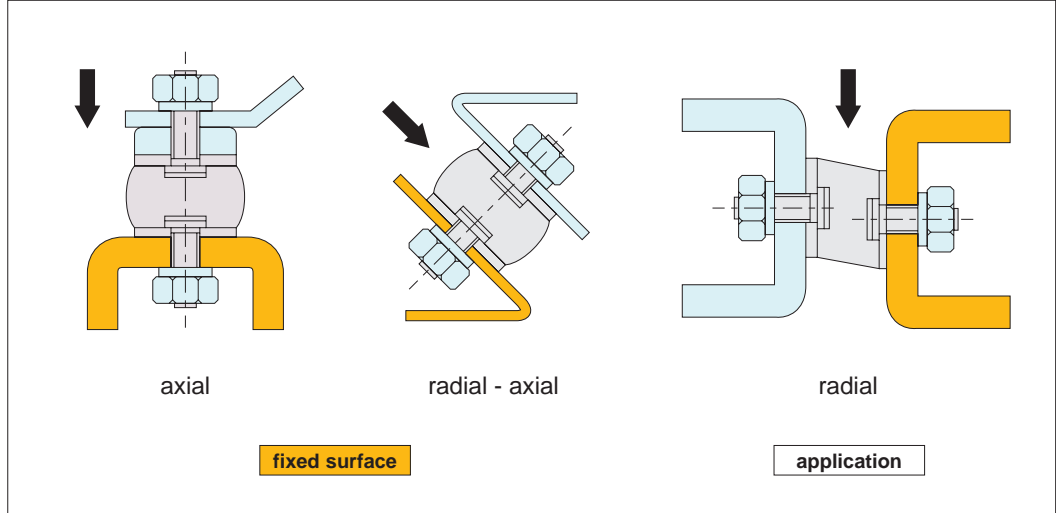
Typically used in machinery, compressors, air conditioning units, light engineering equipment etc.

Order No.	d_1	h_1	d_2	l_1	d_3	Compression max.	Axial load kgf max.	Radial load kgf max.
61110.W0200	20	20	M 6	18	12	2.5	15	3.0
61110.W0250	30	25	M 8	20	24	4	40	4.0
61110.W0400	40	28	M10	25	22	5	60	2.5
61110.W0600	60	36	M10	30	37	5	90	7.0
61110.W0601	60	43	M10	30	35	4	70	12.0
61110.W0602	60	60	M10	30	51	6	150	30.0
61110.W0700	70	56	M12	35	50	6	220	45.0
61110.W0800	80	65	M12	35	70	8	400	55.0
61110.W0900	90	50	M12	45	80	4	800	65.0
61110.W1300	130	96	M16	45	115	13	1400	70.0



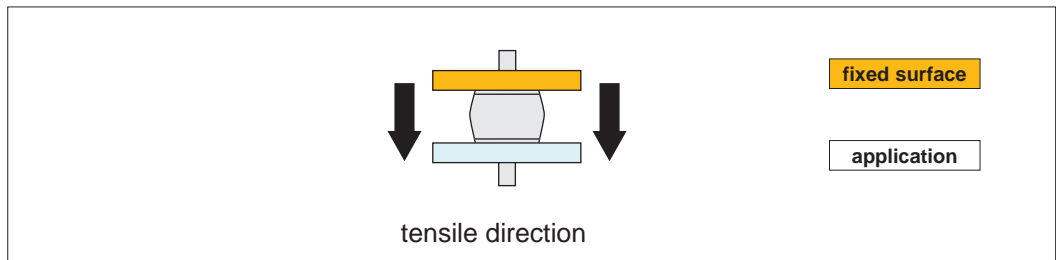
Acceptable loads

Cylindrical mounts are never to be used in tension, they should only be used in axial or radial. Radial loads are however considerably less than axial loads. Parts with small diameters (d_1) and relatively long lengths (h) cannot accept radial loads.



Installation

Incorrect installation



Correct installation

The height of the insulator may vary as the rubber is compressed under load.

Do not remove the rubber burr around the edge of the metal, this could cause detachment of rubber from the metal studs.

