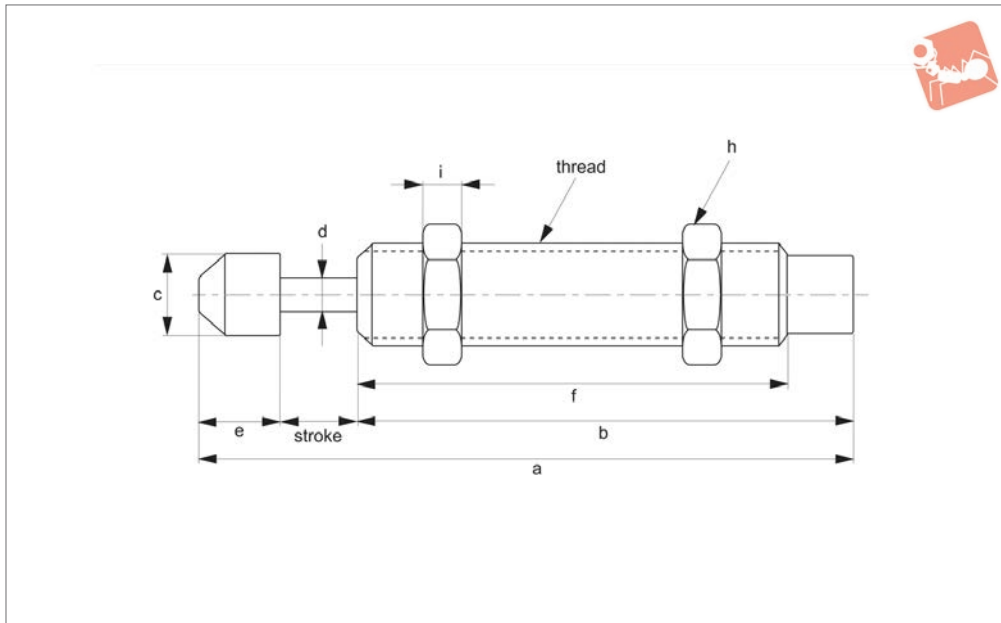




Minature Shock Absorbers, Self M8 - M12, non-adjustable

Shock Absorbers



68001

SHOCK ABSORBERS

Material

Outer Tube: STKM11A, hardened and blackened.

Piston Rod: AISI 1045 hardened to HV940°, chrome plated.

Return Spring: DIN GWP.

Muffler Cap: urethane rubber.

Seal: nitrile rubber.

Technical Notes

Supplied with rubber muffler cap as standard, this is removable - see introductory technical notes for guidance.

Tips

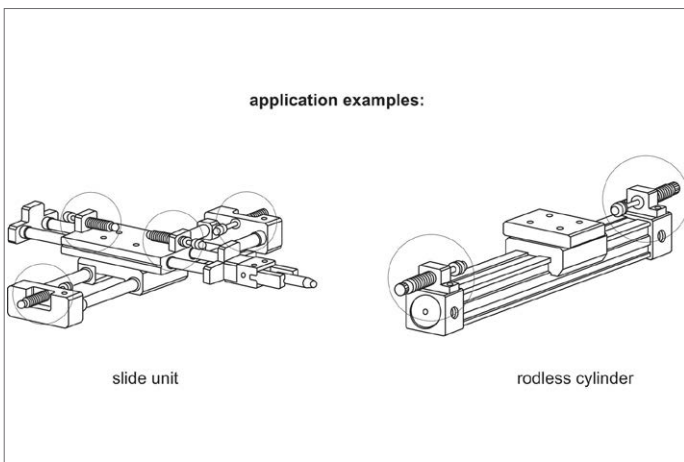
Select High Impact Speed model for hard impact at start of stroke. For hard set down

at end of stroke choose a Medium or Low Impact Speed model.

Important Notes

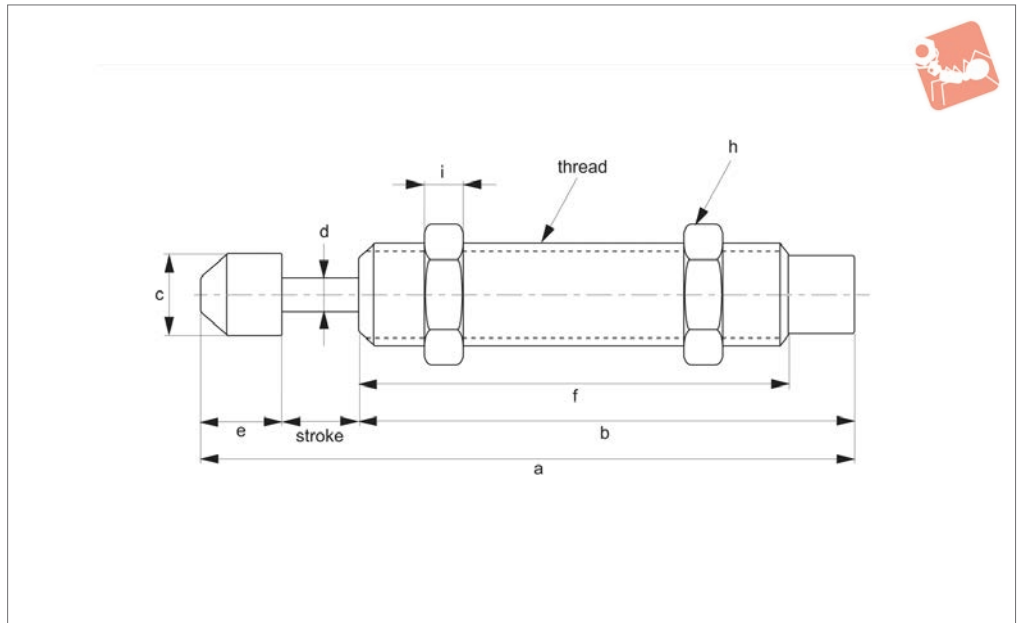
For correct product selection refer to Product Selection Formulae and Calculation pages, and associated Capacity & Selection Charts.

Order No.	Stroke mm	Nm per cycle (Et) Nm max.	Per hour (ETc) Nm max.	Effective mass (Me) kg max.	Impact speed (v) m/s max.	Impact speed (v) m/s max.	Operating temperature °C	Thre ad	a	b	c	d	e	f	h	i	Weig ht g
68001.W0109	10	4	108 00	3.0	Low	0.5	-10 to +80	M10 x0,7 5	66.8	49.5	8.0	3.0	8.0	44.5	12.7	3	20.0





68002



Material

Outer Tube: STKM11A, hardened and blackened.

Piston Rod: AISI 1045 hardened to HV940°, chrome plated.

Return Spring: DIN GWP.

Muffler Cap: urethane rubber. Seal: nitrile rubber.

Technical Notes

Supplied with rubber muffler cap as standard, this is removable - see introductory technical notes for guidance.

Tips

Select High Impact Speed model for hard impact at start of stroke. For hard set down

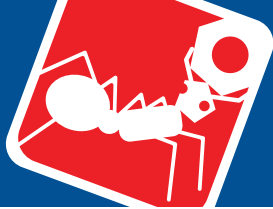
at end of stroke choose a Medium or Low Impact Speed model.

Important Notes

For correct product selection refer to Product Selection Formulae and Calculation pages, and associated Capacity & Selection Charts.

Order No.	Stroke mm	Nm per cycle (Et)		Per hour (ETc)	Effective mass (Me)	Impact speed (v)	Impact speed (v)	Operating temperature	Weight
		Nm max.	Nm max.						
68002.W0140	8	12	22000		6	High	3.0	-10 to +80	65
68002.W0141	12	15	30000		8	High	3.0	-10 to +80	80
68002.W0142	12	15	30000		50	Med	1.5	-10 to +80	80
68002.W0143	12	15	30000		100	Low	0.8	-10 to +80	80
68002.W0144	16	20	35000		10	Low	3.0	-10 to +80	85
68002.W0145	16	20	35000		70	Low	1.5	-10 to +80	85
68002.W0146	16	20	35000		150	Low	0.8	-10 to +80	85
68002.W0147	16	20	35000		10	High	3.0	-10 to +80	80
68002.W0148	16	20	35000		70	Med	1.5	-10 to +80	80
68002.W0149	16	20	35000		150	Low	0.8	-10 to +80	80
68002.W0198	20	20	35000		10	High	3.0	-10 to +80	95
68002.W0199	20	20	35000		70	Med	1.5	-10 to +80	95
68002.WX200	10	16	42000		30	Low	3.5	-10 to +80	165
68002.W0200	20	20	35000		150	Low	0.8	-10 to +80	95
68002.W0201	20	40	40000		30	High	3.5	-10 to +80	215
68002.W0202	20	40	40000		200	Med	2.0	-10 to +80	215
68002.W0203	20	40	40000		700	Low	1.0	-10 to +80	215
68002.W0204	30	50	48000		30	High	3.5	-10 to +80	220
68002.W0205	30	50	48000		200	Med	2.0	-10 to +80	220
68002.W0206	30	50	48000		700	Low	1.0	-10 to +80	220
68002.W0207	50	60	60000		60	High	3.5	-10 to +80	300
68002.W0208	50	60	60000		400	Med	2.0	-10 to +80	300
68002.W0209	50	60	60000		1200	Low	1.0	-10 to +80	300

Order No.	Thread	a	b	c	d	e	f	h	i
68002.W0140	M14x1,5	73.5	55.0	12.0	4.0	11.2	50.5	19	5
68002.W0141	M14x1,5	98.5	76	12	4	10.5	67	19	5



Shock Absorbers, Self Compensating

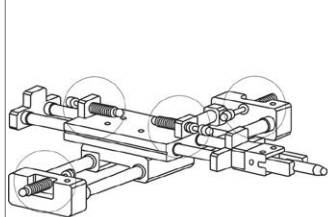
M14 - M20, non adjustable

Shock Absorbers

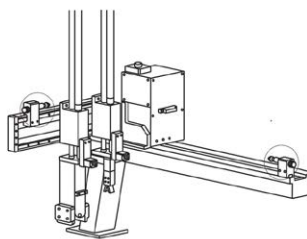
Order No.	Thread	a	b	c	d	e	f	h	i
68002.W0142	M14x1,5	98.5	76	12	4	10.5	67	19	5
68002.W0143	M14x1,5	98.5	76	12	4	10.5	67	19	5
68002.W0144	M14x1,5	122.2	95.0	12.0	4.0	11.2	86.0	19.0	5.0
68002.W0145	M14x1,5	122.2	95.0	12.0	4.0	11.2	86.0	19.0	5.0
68002.W0146	M14x1,5	122.2	95.0	12.0	4.0	11.2	86.0	19.0	5.0
68002.W0147	M14x1,5	102.5	76	12	4	10.5	67	19	5
68002.W0148	M14x1,5	102.5	76	12	4	10.5	67	19	5
68002.W0149	M14x1,5	102.5	76	12	4	10.5	67	19	5
68002.W0198	M14x1,5	125.5	95	12	4	10.5	86	19	5
68002.W0199	M14x1,5	125.5	95	12	4	10.5	86	19	5
68002.WX200	M16x1,5	68.0	58.0	10.0	5.0	8.0	40.0	19.0	6.0
68002.W0200	M14x1,5	125.5	95	12	4	10.5	86	19	5
68002.W0201	M20x1,5	145.8	110	18	6	15.8	101	26	7
68002.W0202	M20x1,5	145.8	110	18	6	15.8	101	26	7
68002.W0203	M20x1,5	145.8	110	18	6	15.8	101	26	7
68002.W0204	M20x1,5	158.8	113	18	6	15.8	104	26	7
68002.W0205	M20x1,5	158.8	113	18	6	15.8	104	26	7
68002.W0206	M20x1,5	158.8	113	18	6	15.8	104	26	7
68002.W0207	M20x1,5	232.8	167	18	6	15.8	158	26	7
68002.W0208	M20x1,5	232.8	167	18	6	15.8	158	26	7
68002.W0209	M20x1,5	232.8	167	18	6	15.8	158	26	7

SHOCK ABSORBERS

application examples:



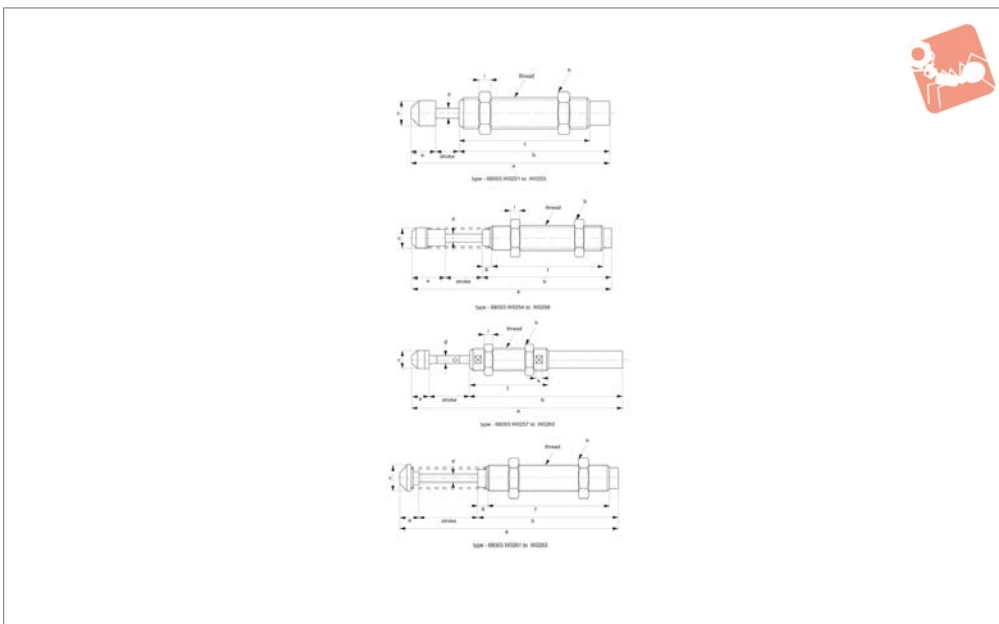
robot for plastic injection molding machine



slide unit



68003



Material

Outer Tube: STKM11A, hardened and blackened.

Piston Rod: AISI 1045 hardened to HV940°, chrome plated.

Return Spring: DIN GWP.

Muffler Cap: urethane rubber. **Seal:** nitrile rubber.

Technical Notes

Supplied with rubber muffler cap as standard, this is removable - see introductory technical notes for guidance.

Tips

Select High Impact Speed model for hard impact at start of stroke. For hard set down

at end of stroke choose a Medium or Low Impact Speed model.

Important Notes

For correct product selection refer to Product Selection Formulae and Calculation pages, and associated Capacity & Selection Charts.

Order No.	Stroke mm	Nm per cycle (Et)		Per hour (ETc)	Effective mass (Me)	Impact speed (v)	Impact speed (v)	Operating temperature	Weight
		Nm max.	Nm max.						
68003.W0251	25	80	54000	200	High	4.0	-10 to +80	330	
68003.W0252	25	80	54000	800	Med	2.5	-10 to +80	330	
68003.W0253	25	80	54000	1500	Low	1.0	-10 to +80	330	
68003.W0254	40	120	75000	300	High	4.0	-10 to +80	430	
68003.W0255	40	120	75000	1200	Med	2.5	-10 to +80	430	
68003.W0256	40	120	75000	2000	Low	1.0	-10 to +80	430	
68003.W0257	50	98	90000	15	High	4.0	-10 to +80	435	
68003.W0258	50	98	90000	40	Med	2.5	-10 to +80	435	
68003.W0259	50	98	90000	160	Low	1.0	-10 to +80	435	
68003.W0261	80	150	120000	20	High	4.0	-10 to +80	535	
68003.W0262	80	150	120000	50	Med	2.5	-10 to +80	535	
68003.W0263	80	150	120000	200	Low	1.0	-10 to +80	535	
68003.W0361	60	250	120000	400	High	4.0	-10 to +80	1,030	
68003.W0362	60	250	120000	1500	Med	2.5	-10 to +80	1,030	
68003.W0363	60	250	120000	2400	Low	1.0	-10 to +80	1,030	

Order No.	Thread	a	b	c	d	e	f	h	g	i	j	k
68003.W0251	M25x1,5	155.0	111.0	22.0	8	19.5	101.0	32	-	9	-	-
68003.W0252	M25x1,5	155.0	111.0	22.0	8	19.5	101.0	32	-	9	-	-
68003.W0253	M25x1,5	155.0	111.0	22.0	8	19.5	101.0	32	-	9	-	-
68003.W0254	M25x1,5	214.0	127.0	22.0	8	36.0	117.0	32	10	9	-	-
68003.W0255	M25x1,5	214.0	127.0	22.0	8	36.0	117.0	32	10	9	-	-
68003.W0256	M25x1,5	214.0	127.0	22.0	8	36.0	117.0	32	10	9	-	-
68003.W0257	M25x1,5	239.5	170.5	22.0	8	19.5	100.0	32	-	9	-	-
68003.W0258	M25x1,5	239.5	170.5	22.0	8	19.5	100.0	32	-	9	-	-
68003.W0259	M25x1,5	239.5	170.5	22.0	8	19.5	100.0	32	-	9	-	-
68003.W0261	M25x1,5	336.0	237.0	22.0	8	19.5	100.0	32	-	9	23	11



Shock Absorbers, Self Compensating

M25 - M36, non-adjustable

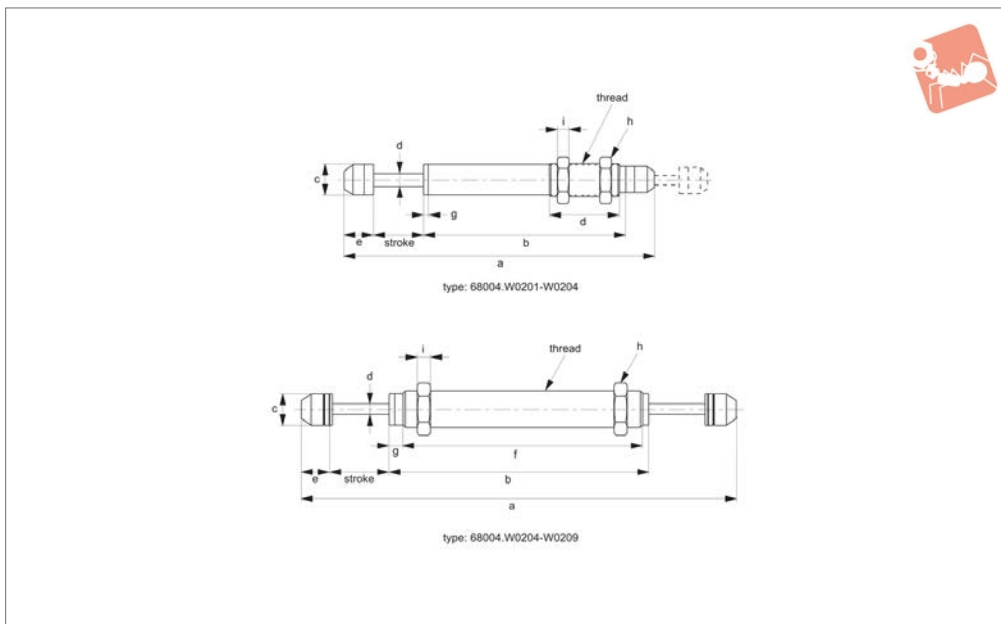
Shock Absorbers

Order No.	Thread	a	b	c	d	e	f	h	g	i	j	k
68003.W0262	M25x1,5	336.0	237.0	22.0	8	19.5	100.0	32	-	9	23	11
68003.W0263	M25x1,5	336.0	237.0	22.0	8	19.5	100.0	32	-	9	23	11
68003.W0361	M36x1,5	248.0	162.0	35.5	10	26.0	134.0	46	17	15	23	11
68003.W0362	M36x1,5	248.0	162.0	35.5	10	26.0	134.0	46	17	15	23	11
68003.W0363	M36x1,5	248.0	162.0	35.5	10	26.0	134.0	46	17	15	23	11

SHOCK ABSORBERS



68004



Material

Outer Tube: STKM11A, hardened and blackened.

Piston Rod: AISI 1045 hardened to HV940°, chrome plated.

Return Spring: DIN GWP.

Muffler Cap: urethane rubber. **Seal:** nitrile rubber.

Technical Notes

Supplied with rubber muffler cap as standard, this is removable - see introductory technical notes for guidance.

Tips

Select High Impact Speed model for hard impact at start of stroke. For hard set down

at end of stroke choose a Medium or Low Impact Speed model.

Important Notes

For correct product selection refer to Product Selection Formulae and Calculation pages, and associated Capacity & Selection Charts.

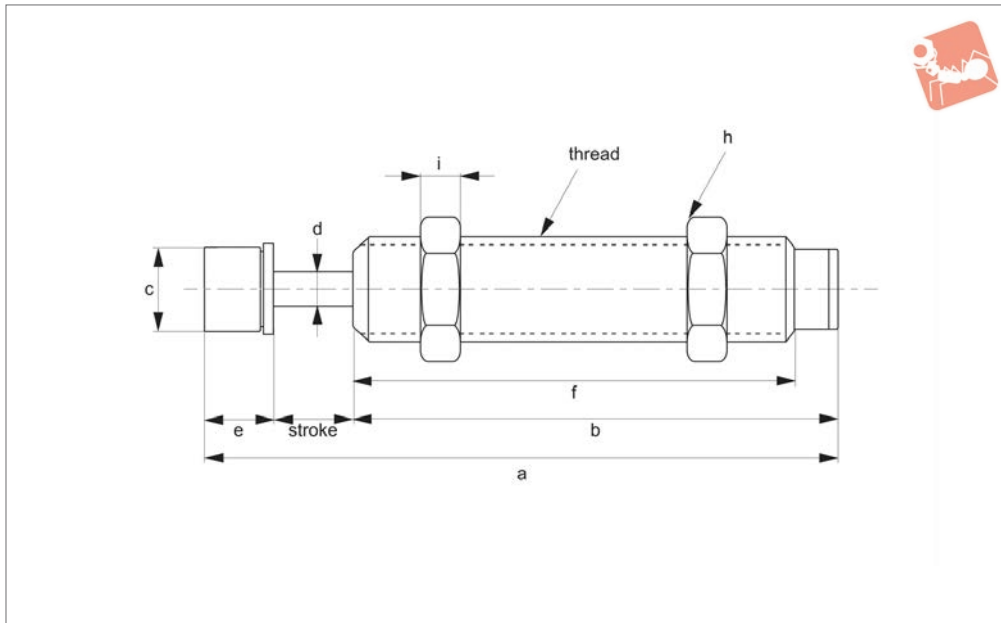
Order No.	Stroke mm	Nm per cycle (Et)		Per hour (ETc)	Effective mass (Me) kg max.	Impact speed (v)		Operating temperature °C	Weight g
		Nm max.	Nm max.			m/s max.	m/s max.		
68004.W0201	30	45	45	55000	40	High	3.5	-10 to +80	320
68004.W0202	30	45	45	55000	300	Med	2.0	-10 to +80	320
68004.W0203	30	45	45	55000	900	Low	1.0	-10 to +80	320
68004.W0204	35	52	52	63000	40	High	3.5	-10 to +80	350
68004.W0205	35	52	52	63000	200	Med	2.0	-10 to +80	350
68004.W0206	35	52	52	63000	650	Low	1.0	-10 to +80	350
68004.W0207	50	60	60	68000	60	High	3.5	-10 to +80	470
68004.W0208	50	60	60	68000	210	Med	2.0	-10 to +80	470
68004.W0209	50	60	60	68000	480	Low	1.0	-10 to +80	470
68004.W0210	50	70	70	72000	530	Low	3.5	-10 to +80	480

Order No.	Thread	a	b	c	d	e	f	h	g	i
68004.W0201	M20x1,5	183.6	123	18	6	15.8	44	26	3	7
68004.W0202	M20x1,5	183.6	123	18	6	15.8	44	26	3	7
68004.W0203	M20x1,5	183.6	123	18	6	15.8	44	26	3	7
68004.W0204	M20x1,5	224.6	123	18	5	15.8	42	26	5	7
68004.W0205	M20x1,5	224.6	123	18	5	15.8	42	26	5	7
68004.W0206	M20x1,5	224.6	123	18	5	15.8	42	26	5	7
68004.W0207	M20x1,5	276.6	145	18	6	15.8	134	26	8	7
68004.W0208	M20x1,5	276.6	145	18	6	15.8	134	26	8	7
68004.W0209	M20x1,5	276.6	145	18	6	15.8	134	26	8	7
68004.W0210	M20x1,5	313.8	172.8	17.8	6	20.5	11	26	16	7



Shock Absorber Self Compensating M30, non-adustable

Shock Absorbers



68005

SHOCK ABSORBERS

Material

Outer Tube: STKM11A, hardened and blackened.

Piston Rod: AISI 1045 hardened to HV940°, chrome plated.

Return Spring: DIN GWP.

Muffler Cap: urethane rubber. **Seal:** nitrile rubber.

Technical Notes

Supplied with rubber muffler cap as standard, this is removable - see introductory technical notes for guidance.

Tips

Select High Impact Speed model for hard impact at start of stroke. For hard set down

at end of stroke choose a Medium or Low Impact Speed model.

Important Notes

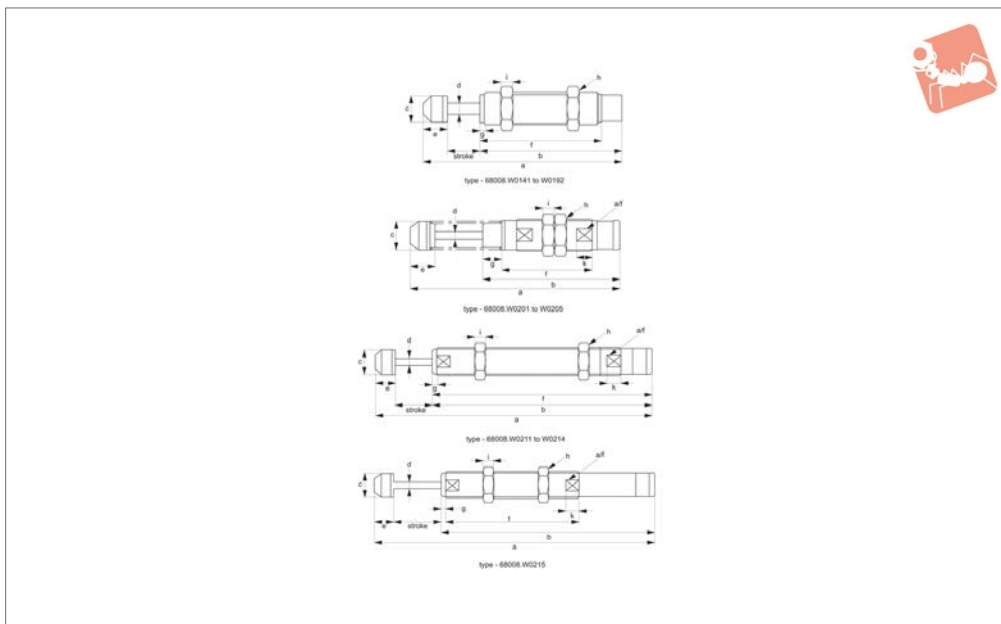
For correct product selection refer to Product Selection Formulae and Calculation pages, and associated Capacity & Selection Charts.

Order No.	Stroke mm	Nm per cycle (Et)		Per hour (ETc)		Effective mass (Me) kg max.	Impact speed (v)	Impact speed (v)		Weight g
		Nm max.	Nm max.	Nm max.	Nm max.			m/s max.	m/s max.	
68005.W0301	25	180	180	60000	60000	300	High	3.0	3.0	950
68005.W0302	25	180	180	60000	60000	700	Med	2.0	2.0	950
68005.W0303	25	180	180	60000	60000	1300	Low	1.0	1.0	950

Order No.	Operating temperature °C	Thread	a	b	c	d	e	f	h	i
68005.W0302	-10~+80	M30x1,5	151	106.5	27	10	19.5	94.5	36	14
68005.W0303	-10~+80	M30x1,5	151	106.5	27	10	19.5	94.5	36	14



68008



Material

Outer Tube: STKM11A, hardened and blackened.

Piston Rod: AISI 1045 hardened to HV940°, chrome plated.

Return Spring: DIN GWP.

Muffler Cap: urethane rubber. **Seal:** nitrile rubber.

Technical Notes

Supplied with rubber muffler cap as standard, this is removable - see introductory technical notes for guidance.

Tips

Select High Impact Speed model for hard impact at start of stroke. For hard set down

at end of stroke choose a Medium or Low Impact Speed model.

Important Notes

For correct product selection refer to Product Selection Formulae and Calculation pages, and associated Capacity & Selection Charts.

Order No.	Stroke mm	Nm per cycle (Et)		Per hour (ETc)	Effective mass (Me) kg max.	Impact speed (v)	Impact speed (v) m/s max.	Operating temperature °C	Weight g
		Nm max.	Nm max.						
68008.W0141	15	9.8	35280		30	Low	1.0	-10 to +80	80
68008.W0142	15	9.8	35280		15	Med	1.5	-10 to +80	80
68008.W0191	20	36.0	22000		27	Low	2.0	-10 to +80	170
68008.W0192	25	40.0	24200		35	Low	2.0	-10 to +80	180
68008.W0201	30	44.0	26460		60	V Low	1.2	-10 to +80	185
68008.W0202	30	44.0	26460		30	Low	1.7	-10 to +80	185
68008.W0203	30	44.0	26460		15	Med	2.4	-10 to +80	185
68008.W0204	30	44.0	26460		5	High	4.2	-10 to +80	205
68008.W0205	30	44.0	26460		3	V High	6.0	-10 to +80	205
68008.W0211	50	59.0	35280		30	V Low	2.0	-10 to +80	250
68008.W0213	50	59.0	35280		8	Low	3.8	-10 to +80	250
68008.W0212	50	59.0	35280		15	Med	2.8	-10 to +80	250
68008.W0214	50	59.0	35280		5	High	5.0	-10 to +80	250
68008.W0215	50	59.0	35280		3	V High	6.8	-10 to +80	235

Order No.	Thread	a	b	c	d	e	f	h	g	i	A/F	k
68008.W0141	M14x1,0	95.2	69.2	12	4	11.0	53.0	19	2.0	5	-	-
68008.W0142	M14x1,0	95.2	69.2	12	4	11.0	53.0	19	2.0	5	-	-
68008.W0191	M20x1,5	129.3	95.0	18	5	15.8	74.5	26	3.8	7	-	-
68008.W0192	M20x1,5	140.4	100.0	18	5	15.8	81.0	26	2.7	7	-	-
68008.W0201	M20x1,5	134.0	85.6	18	5	18.0	48.0	26	21.0	7	18.2	10
68008.W0202	M20x1,5	134.0	85.6	18	5	18.0	48.0	26	21.0	7	18.2	10
68008.W0203	M20x1,5	134.0	85.6	18	5	18.0	48.0	26	21.0	7	18.2	10
68008.W0204	M20x1,5	146.0	97.3	18	5	18.0	48.0	26	32.7	7	18.2	10
68008.W0205	M20x1,5	146.0	97.3	18	5	18.0	48.0	26	32.7	7	18.2	10
68008.W0211	M20x1,5	221.0	156.0	18	5	15.8	136.5	26	4.0	7	18.2	10
68008.W0213	M20x1,5	221.0	156.0	18	5	15.8	136.5	26	4.0	7	18.2	10



Shock Absorbers, Self Compensating

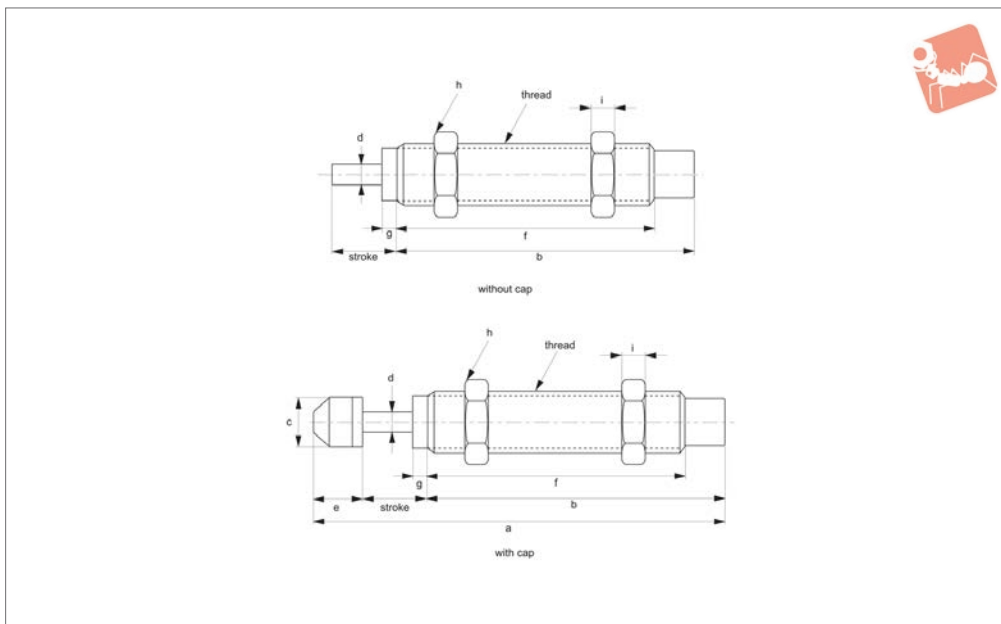
M14 - M20, non-adjustable

Shock Absorbers

Order No.	Thread	a	b	c	d	e	f	h	g	i	A/F	k
68008.W0212	M20x1,5	221.0	156.0	18	5	15.8	136.5	26	4.0	7	18.2	10
68008.W0214	M20x1,5	221.0	156.0	18	5	15.8	136.5	26	4.0	7	18.2	10
68008.W0215	M20x1,5	221.0	156.0	18	5	15.8	60.0	26	4.0	7	18.2	10



68012



Material

Outer Tube: STKM11A, hardened and blackened.

Piston Rod: AISI 1045 hardened to HV940°, chrome plated.

Return Spring: DIN GWP.

Muffler Cap: urethane rubber. Seal: nitrile

rubber.

Technical Notes

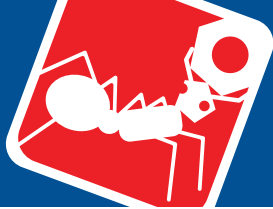
Supplied with rubber muffler cap as standard, this is removable - see introductory technical notes for guidance.

Important Notes

For correct product selection refer to Product Selection Formulae and Calculation pages, and associated Capacity & Selection Charts.

Order No.	With / without cap	Stroke mm	Nm per cycle (Et)		Per hour (ETc) Nm max.	Effective mass (Me)		Impact speed (v) m/s max.	Operating temperature °C	Weight g
			Nm max.	Nm max.		kg max.	kg max.			
68012.W0080	Without	4	0.5	720	3.0	0.3 - 1.0	-10 to +80	4.0		
68012.W0081	Without	6	3	7000	6	0.3 - 2.5	-10 to +80	15		
68012.W0082	With	6	3	7000	6	0.3 - 2.5	-10 to +80	17		
68012.W0101	Without	7	6	12400	12	0.3 - 2.5	-10 to +80	25		
68012.W0102	With	7	6	12400	12	0.3 - 3.5	-10 to +80	28		
68012.W0121	Without	10	12	22500	22	0.3 - 4.0	-10 to +80	29		
68012.W0122	With	10	12	22500	22	0.3 - 4.0	-10 to +80	32		
68012.W0141	Without	12	20	33000	40	0.3 - 5.0	-10 to +80	65		
68012.W0142	With	12	20	33000	40	0.3 - 5.0	-10 to +80	70		
68012.W0143	With	12	14	24000	25.0	0.3 - 5.0	-10 to +80	70		
68012.W0201	Without	15	59	38000	120	0.3 - 5.0	-10 to +80	150		
68012.W0202	With	15	59	38000	120	0.3 - 5.0	-10 to +80	160		
68012.W0251	Without	25	80	60000	180	0.3 - 5.0	-10 to +80	280		
68012.W0252	With	25	80	60000	180	0.3 - 5.0	-10 to +80	295		
68012.W0271	Without	25	147	72000	270	0.3 - 5.0	-10 to +80	360		
68012.W0272	With	25	147	72000	270	0.3 - 5.0	-10 to +80	375		

Order No.	Thread	a	b	c	d	e	f	h	g	i	A/F
68012.W0080	M 6x0,75	36.5	28.5	4.5	1.8	4.0	22.5	8.0	1	3.0	-
68012.W0081	M 8x1,0	-	40.6	-	2.9	-	33.6	11.0	2	3	-
68012.W0082	M 8x1,0	55.2	40.6	6.6	2.9	8.6	33.6	11.0	2	3	-
68012.W0101	M10x1,0	-	47.0	-	3.0	-	39.0	12.7	3	3	-
68012.W0102	M10x1,0	62.6	47.0	8.6	3.0	8.6	39.0	12.7	3	3	-
68012.W0121	M12x1,0	-	52.5	-	3.0	-	44.0	14.0	3	4	-
68012.W0122	M12x1,0	71.1	52.5	10.3	3.0	8.6	44.0	14.0	3	4	-
68012.W0141	M14x1,5	-	67.0	-	4.0	-	58.0	19.0	4	5	12.1
68012.W0142	M14x1,5	90.0	67.0	12.0	4.0	11.0	58.0	19.0	4	5	12.1
68012.W0143	M14x1,5	78.8	55.0	12.0	4.0	11.2	46.5	19.0	3.5	5.0	12.1



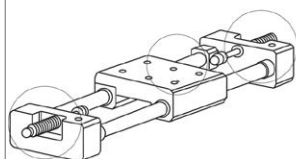
Shock Absorbers, Self Compensating

M8 - M27, non-adjustable

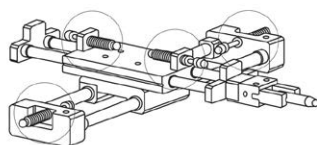
Shock Absorbers

Order No.	Thread	a	b	c	d	e	f	h	g	i	A/F
68012.W0201	M20x1,5	-	73.0	-	6.0	-	62.0	26.0	4	7	18.0
68012.W0202	M20x1,5	103.0	73.0	18.0	6.0	15.0	62.0	26.0	4	7	18.0
68012.W0251	M25x1,5	-	92.0	-	8.0	-	82.0	32.0	-	9	23.0
68012.W0252	M25x1,5	136.0	92.0	22.0	8.0	19.0	82.0	32.0	-	9	23.0
68012.W0271	M27x1,5	-	99.0	-	8.0	-	86.0	36.0	5	6	25.0
68012.W0272	M27x1,5	143.0	99.0	22.0	8.0	19.0	86.0	36.0	5	6	25.0

application examples:



slide unit cylinder



slide unit



Shock Absorbers benefits and features

Why do we need shock absorbers?

Shock Absorbers are widely used in industry where the speed, direction or movement of objects must be changed or stopped. Without suitable methods of control the kinetic energy inherent in many moving objects, which occur in manufacturing, can result in increased machine wear and even machine damage.

Ideally any method of "shock absorption" should provide two key features:

- 1) Bring the moving object to rest quickly, smoothly and without rebounding forces
- 2) In-built reliability and safety

Shock Absorbers are able to quickly convert the kinetic energy of a moving object into heat and to dissipate this into the air, and provide a constant linear deceleration of an object throughout its entire impact stroke, to quickly, smoothly and quietly bring a moving object to rest with the lowest reaction force and in the shortest time. All of these features mean increased manufacturing productivity, extended machine life, and improved efficiency.

The cost of outdated buffering methods

Traditional buffering methods:

- Springs
- Dash Pots
- Air Buffers
- Rubber bumpers

Costs associated with outdated cushioning methods:

- Loss of production
- Increased machine wear and tear
- Increased maintenance cost
- Increased vibration and noise pollution
- Varying and inconsistent dampening forces, with non-linear or high peak forces at some point in their stroke.

Traditional buffering methods can only dissipate a small percentage of the kinetic energy of a moving object, the remainder is stored (rather than dissipated) as elastic energy which results in high resistance and rebounding forces toward the end of the impact stroke.

Benefits of using Wixroyd Shock Absorbers

Wixroyd Shock Absorbers are designed to stop a moving object smoothly and quietly from the beginning to the end of its impact stroke. Their design enables a constant resistance force or linear deceleration throughout the impact stroke, quickly converting the kinetic energy of the moving object into heat which is quickly dissipated into the air. A linear deceleration curve, as achieved by our shock absorbers, brings an object to rest in the shortest time while reducing damaging impact forces.

Energy Capacity: Shock absorbers can absorb more energy, without increasing deceleration or reaction forces.

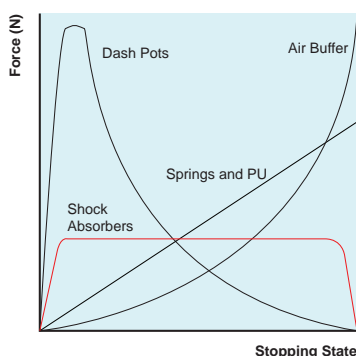
Stopping Force: Shock absorbers provide smooth deceleration of parts, which means less machine wear and hence reduced maintenance.

Stopping time: Shock absorbers bring moving loads to rest more quickly, increasing productivity.

Advantages of using Wixroyd Shock Absorbers

- Consistent and reliable dampening force or linear deceleration, throughout entire impact stroke
- Smoother motion and deceleration of moving parts
- Increased productivity
- Extended machine life and improved efficiency
- Simplified application design and build costs
- Reduced maintenance costs
- Improved health and safety, through reduced vibration and noise pollution

Comparison of shock absorbers vs. other methods



Dashpots: produce large peak forces at beginning of impact stroke, abruptly slowing load - however braking force quickly declines.

Springs & Rubber Buffers: energy is stored rather than dissipated, resulting in rebounding of the load.

Air Buffers: initial braking force is low, but due to the compressibility of air it increases sharply toward later stages of stroke, resulting in inconsistent braking force.

Shock Absorbers: designed to stop a moving object smoothly and quietly from beginning to end of its impact stroke. Their design enables constant resistance force or linear deceleration throughout impact stroke, they quickly convert kinetic energy of a moving object into heat which is quickly dissipated into the air.



Wixroyd Shock Absorbers are available in two primary types



Self-compensating

Self compensating shock absorber 68001

Our Self-Compensating Shock Absorbers are effective for a stated range of Effective Mass (Me), and are self-compensating within this range - see selection charts. As long as the applications effective mass remains within the given range then no additional adjustment is required for changes in weight, speed or propelling force.

See models: 68001, 68002, 68003, 68004, 68008, 68012

Self compensating shock absorber 68002

Each Self-Compensating Shock Absorber is available in three standard max. Impact speed (v-m/s) variations:

- 1 - high impact speed
- 2 - medium impact speed
- 3 - low impact speed

For specific max. impact speed values please refer to the selections charts and the specific product tables.

For hard impact at the start of a stroke it is advisable to choose a high impact speed model, for hard set down at the end of a stroke it is advisable to choose a medium or low impact speed model, or to move up to the next higher bore size



Adjustable

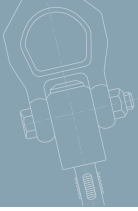
Adjustable shock absorber 68020

Set collar to 0 at initial installation

After a few cycles adjust collar setting to suit application

Adjustable Shock Absorbers have an adjustment collar at their base (with a scale of 0-9), which enables adjustment of the Shock Absorber's optimum deceleration to suit the application.

After initial installation, the Shock Absorber should be cycled a number of times to settle, and then the adjustable collar turned to the desired position for the application.

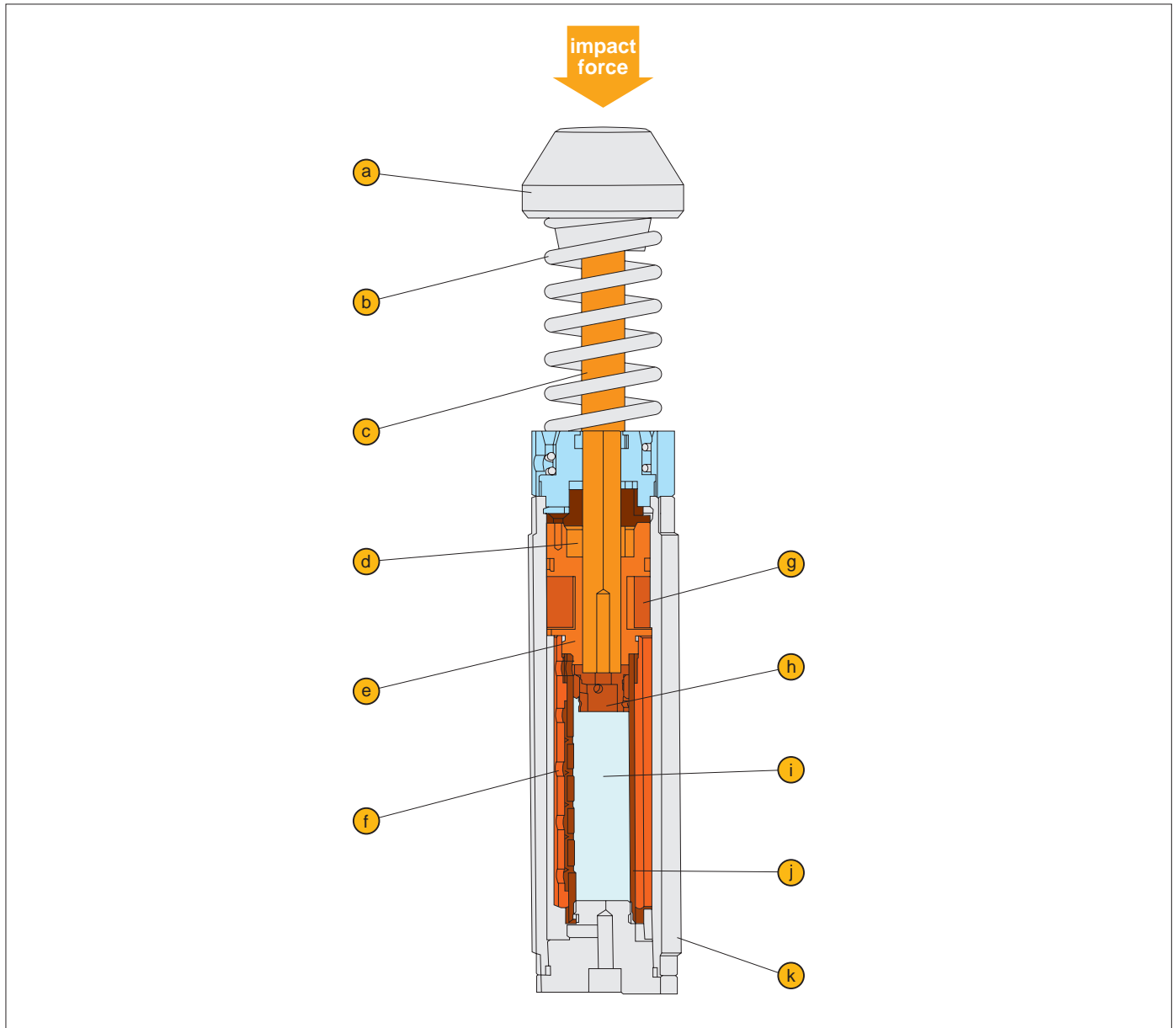


Inside a Wixroyd Shock Absorber

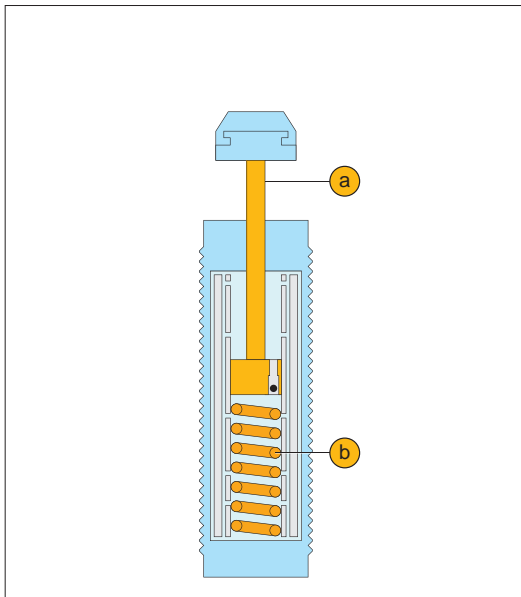
Shock absorber design

The design of Wixroyd Shock Absorbers is beautifully simple and beautifully effective. Made from high quality materials and components, they provide the highest performance and reliability.

SHOCK ABSORBERS

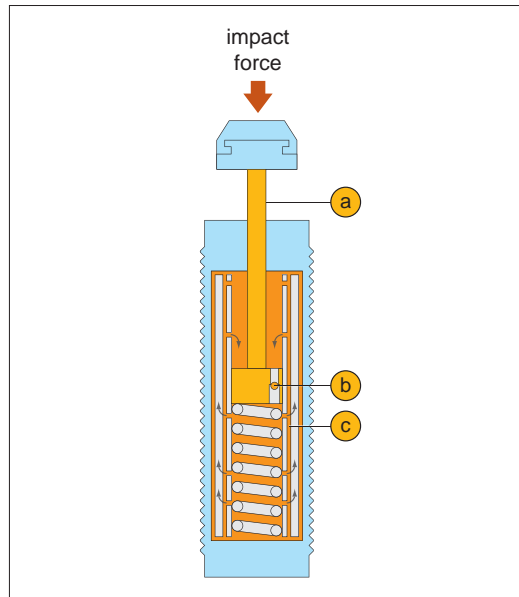


- a** Impact Cap
- b** Return Spring; DIN GWP (external and internal models avai.)
- c** Piston Rod; AISI 1045, hardened to HV940°, chrome plated
- d** Seal
- e** Bearing
- f** Orifices
- g** Accumulator; neoprene rubber
- h** Check Valve
- i** Fluid
- j** Inner Tube
- k** Outer Tube; STKM11A, hardened and blackened



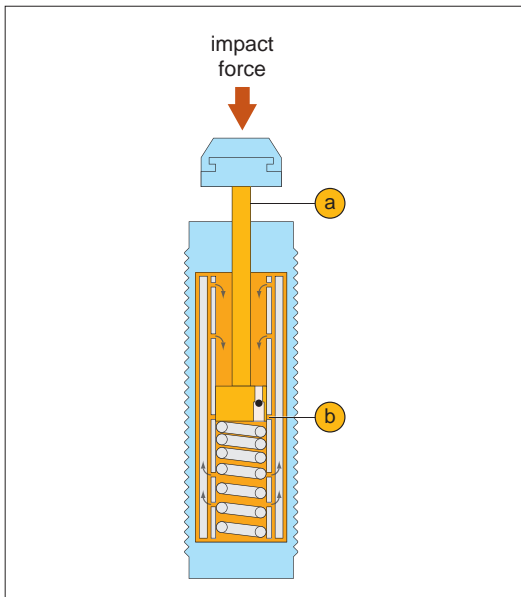
At rest

1) Shock Absorber at rest, piston rod (1), fully extended through force exerted on it by return spring (2).



Initial impact

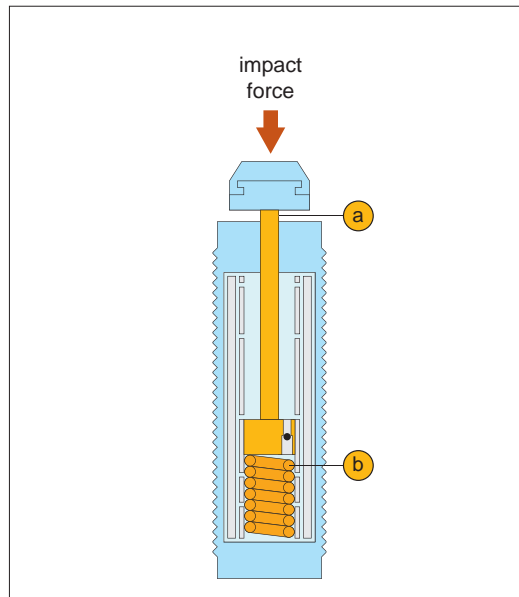
2) Moving load impacts piston (1), which moves into shock absorber body increasing pressure in chamber.
3) Piston rod check valve closes (2). Hydraulic oil behind the piston head is initially able to escape/vent into the accumulator (3).



Continued impact and linear deceleration

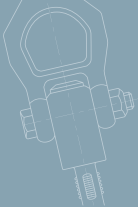
4) As load on piston rod (1) increases, the rod continues to move back into the inner tube, as it does so the number of available metering orifices (2) through which the hydraulic oil is able to escape reduces - hence the velocity of the moving load continues to decelerate.

5) The number and position of the orifices are such that the pressure in the inner tube remains constant throughout the entire impact stroke - providing constant linear deceleration. (Number of metering orifices decreases proportionally through length of piston rod.)



Load brought to rest

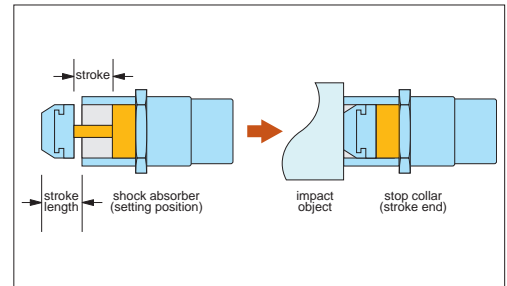
6) The moving load is brought to a smooth and quiet stop.
7) When the load is removed the return spring (2) pushes the piston (1), back to its original resting position, ready for the next cycle.



Optional extras

Stop collars

We advise the use of external mechanical stops with all of our Shock Absorbers, typically within 1 to 0.5 mm from the end of the stroke. Alternatively, we have a range of stop collars available which can be mounted directly to the shock absorber body (see our part 68030). Stop Collars are available for our M8 to M36 threaded models, they can be used both to adjust stroke and also to fix the end position of the load.

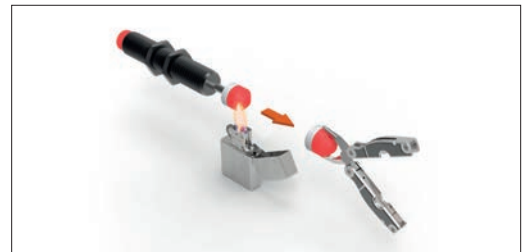


Flange mounting adaptors

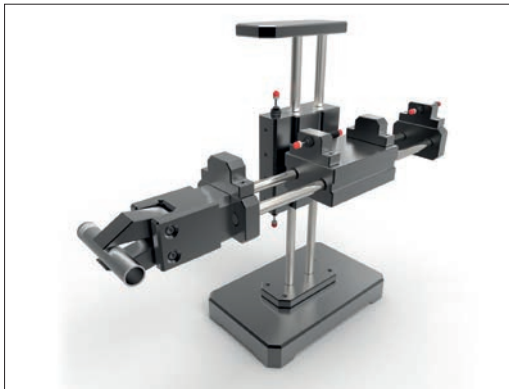
Basic mounting of shock absorbers is through the use of its threaded body, and lock nuts supplied. Alternatively Shock Absorbers can be flange mounted, please see our available flange mounting adaptors part 68032 for our M36 and M42 threaded models.

Muffler caps

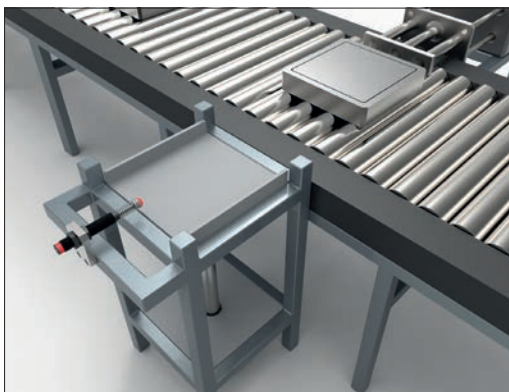
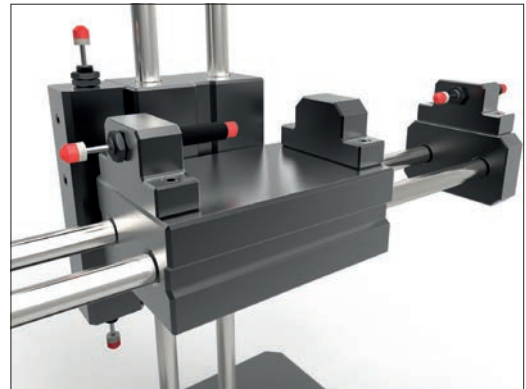
Shock Absorbers are supplied with muffler caps as standard. Muffler caps can be removed from the Shock Absorber Piston by heating them with a lighter and pulling away using a pair of pliers.



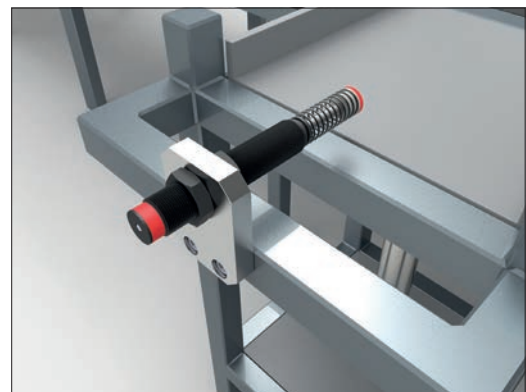
Application examples

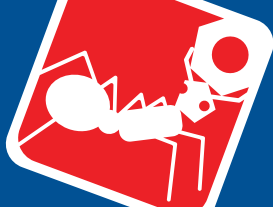


Pick and place robots



Pick and place machines





How to select your Wixroyd Shock Absorber

- | | |
|--|--|
| 1) Direction of movement - horizontal, free fall or rotary | 4) Impact velocity of load |
| 2) Total weight of impacting object | 5) Number of cycles/impact per hour |
| 3) Propelling force - if present | 6) Number of shock absorbers in application (only if parallel) |

Firstly consider the following:

- | | |
|---|--|
| 1) Mass to be decelerated (weight) m (kg) | 4) Number of impact cycles per hour... C (/hr) |
| 2) Impact velocity at shock absorber ..v (m/s) | 5) Desired shock absorber stroke S (m) |
| 3) Propelling or driving force..... F (N) | |

Secondly, ascertain the following from your application

ET (Nm) Maximum energy absorbed per cycle
 ETC (Nm/hr) Maximum energy absorbed per hour
 Me (Kg) Effective mass

Thirdly, derive value for the following within your application

Formulae on the following pages will allow you to derive these values for the most appropriate set-up of your application.

Using the values derived from you calculations, refer to our selection charts and identify the most suitable Wixroyd Shock Absorber for your application.

Finally, refer to our selection charts

Mounting and installation information

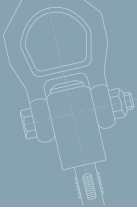
1. Please install a 1 to 0.5 mm mechanical stop or stop collar before the end of the impact stroke and do not drive shock absorbers into their final position under full load. See the range of Stop Collars part 68030, which can be easily mounted on to shock absorbers to protect shock absorber pistons from bottoming out and can also be used to adjust the final stroke.
2. Reusing is prohibited after dismantling. Do not paint the piston rod or threaded body. This both inhibits movement of the piston and can interfere with effective heat dissipation.
3. Install shock absorbers as close to the moving object's centre as possible.
4. If installing shock absorbers in sheet metal, please ensure sheet metal is robust enough.
5. When installing two or more shock absorbers in parallel, please ensure that they have the same stroke.

Product selection calculation

- | | |
|---|---|
| 1) Kinetic energy: $E_k = mv^2/2$ | 5) Maximum shock force (approximate): $F_m = 1.2 E_T/S$ |
| 2) Drive energy: $E_D = F \cdot S$ | 6) Propelling force generated by electric motors: $F = 3000 kW/v$ |
| 3) Free fall velocity: $v = \sqrt{2g \cdot h}$ | 7) Total energy absorbed per hour: $E_{TC} = E_T \cdot C$ |
| 4) Pneumatic or hydraulic cylinder driving forces: $F = 0.00785 Pd^2$ | |

Some useful calculation formulae

μ	-	coefficient of friction	E_{TC}	(Nm)	total energy per hour	M_e	(kg)	effective mass	Key to formulae symbols used
α	(rad)	angle of incline	F	(N)	propelling force	P	(Bar)	operation pressure	
θ	(rad)	side load of angle	F_m	(N)	maximum shock force	R	(m)	radius	
ω	(rad/s)	angular velocity	g	(m/s ²)	acceleration due to gravity (9.81m/s ²)	R_s	(m)	shock absorber mounting distance from rotation center	
A	(m)	width	h	(m)	height	S	(m)	stroke	
B	(m)	thickness	I	(Nm/s ²)	moment of inertia	T	(Nm)	driving torque	
C	(/hr)	impact cycles per hour	-	-	arresting torque factor for motors (normally 2.5)	t	(s)	decelartion time	
d	(mm)	cylinder bore diameter	HM	-	arresting torque factor for motors (normally 2.5)	v	(m/s)	velocity of impact mass	
E_D	(Nm)	drive energy per cycle	kW	(kW)	electric motor power	v_s	(m/s)	impact velocity at shock absorber	
E_k	(Nm)	kinetic energy per cycle	m	(kg)	mass to be decelerated				



1) Horizontal moving mass - without propelling force

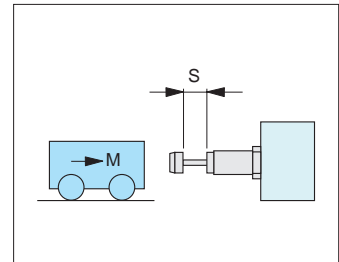
m = 300kg
v = 1,0m/s
S = 0,04m
C = 300/hr

$$E_k = \frac{mv^2}{2} = \frac{300 \cdot 1,0^2}{2} = 150\text{Nm}$$

$$E_T = E_k = 150\text{Nm}$$

$$E_{TC} = E_T \cdot C = 150 \cdot 300 = 45000\text{Nm/hr}$$

$$M_e = \frac{2E_T}{v^2} = \frac{2 \cdot 150}{1,0^2} = 300\text{kg}$$



Selection from capacity chart: 68024.W0362 is suitable

2) Horizontal moving mass - with propelling force

m = 300kg
v = 1,2m/s
S = 0,05m
P = 40N/cm²
d = 100mm
C = 300/hr

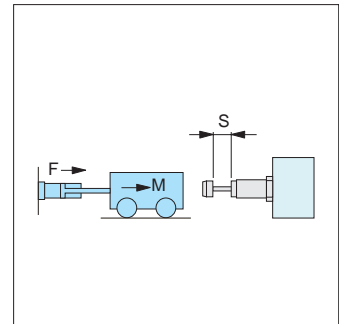
$$E_k = \frac{mv^2}{2} = \frac{300 \cdot 1,2^2}{2} = 216\text{Nm}$$

$$E_D = F \cdot S = 0,00785Pd^2 \cdot S = 0,00785 \cdot 40 \cdot 100^2 \cdot 0,05 = 157\text{Nm}$$

$$E_T = E_k + E_D = 216 + 157 = 373\text{Nm}$$

$$E_{TC} = E_T \cdot C = 373 \cdot 300 = 111900\text{Nm/hr}$$

$$M_e = \frac{2E_T}{v^2} = \frac{2 \cdot 373}{1,2^2} = 518\text{kg}$$



Selection from capacity chart: 68024.W0422 is suitable

3) Horizontal moving mass - motor driven

m = 400kg
v = 1,0m/s
kW = 1,5kW
HM = 2,5
S = 0,075m
C = 60/hr

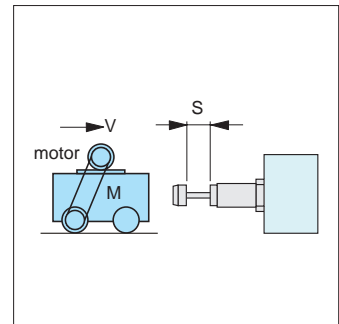
$$E_k = \frac{mv^2}{2} = \frac{400 \cdot 1,0^2}{2} = 200\text{Nm}$$

$$E_D = F \cdot S = \frac{kW \cdot HM}{v} \cdot S = \frac{1500 \cdot 2,5}{1,0} \cdot 0,075 = 281\text{Nm}$$

$$E_T = E_k + E_D = 200 + 281 = 481\text{Nm}$$

$$E_{TC} = E_T \cdot C = 481 \cdot 60 = 25860\text{Nm/hr}$$

$$M_e = \frac{2E_T}{v^2} = \frac{2 \cdot 481}{1,0^2} = 962\text{kg}$$



Selection from capacity chart: 68024.W0423 is suitable

4) Horizontal moving mass - driven rollers

m = 150kg
v = 0,5m/s
μ = 0,25
S = 0,02m
C = 120/hr

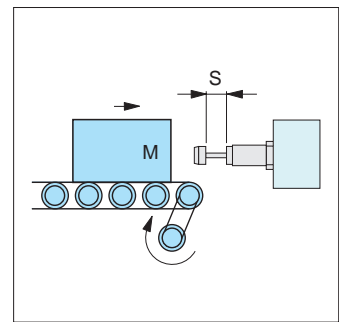
$$E_k = \frac{mv^2}{2} = \frac{150 \cdot 0,5^2}{2} = 18,75\text{Nm}$$

$$E_D = F \cdot S = mg\mu \cdot S = 150 \cdot 9,81 \cdot 0,25 \cdot 0,02 = 7,35\text{Nm}$$

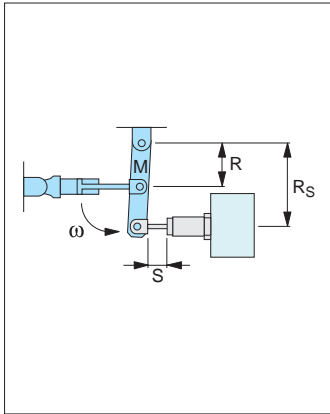
$$E_T = E_k + E_D = 18,75 + 7,35 = 26,1\text{Nm}$$

$$E_{TC} = E_T \cdot C = 26,1 \cdot 120 = 3132\text{Nm/hr}$$

$$M_e = \frac{2E_T}{v^2} = \frac{2 \cdot 26,1}{0,5^2} = 208,8\text{kg}$$



Selection from capacity chart: 68002.W0203 is suitable



$$E_k = \frac{I \cdot \omega^2}{2} = \frac{216 \cdot 3^2}{2} = 972 \text{ Nm}$$

$$F = \frac{0,0785 \cdot D^2 \cdot P \cdot R}{R_s} = \frac{0,0785 \cdot 80^2 \cdot 5 \cdot 0,6}{0,9} = 1674,7 \text{ Nm}$$

$$E_D = F \cdot S = 1674,7 \cdot 0,05 = 83,7 \text{ Nm}$$

$$E_T = E_k + E_D = 972 + 83,7 = 1055,7 \text{ Nm}$$

$$E_{TC} = E_T \cdot C = 1055,7 \cdot 150 = 158355 \text{ Nm/hr}$$

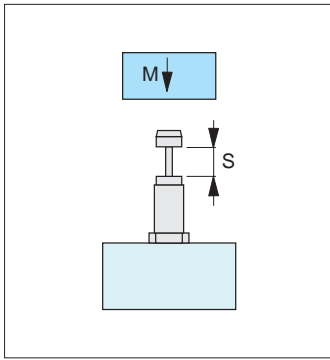
$$v = R_s \cdot \omega = 0,6 \cdot 3 = 1,8 \text{ m/s}$$

$$M_e = \frac{2E_T}{v^2} = \frac{2 \cdot 1055,7}{1,8^2} = 651,2 \text{ kg}$$

5) Swinging arm - with propelling force (universal weight distribution)

- P = 5bar
- m = 600kg
- ω = 3rad/s
- R = 0,6m
- R_s = 0,9m
- d = 80mm
- C = 150/hr
- I = 216Nm/s²

Selection from capacity chart: 68002.W0203 is suitable



$$v = \sqrt{2g \cdot h} = \sqrt{2 \cdot 9,81 \cdot 0,4} = 2,8 \text{ m/s}$$

$$E_k = \frac{mv^2}{2} = \frac{40 \cdot 2,8^2}{2} = 157 \text{ Nm}$$

$$E_D = F \cdot S = mg \cdot h = 40 \cdot 9,81 \cdot 0,06 = 23,5 \text{ Nm}$$

$$E_T = E_k + E_D = 157 + 23,5 = 180,5 \text{ Nm}$$

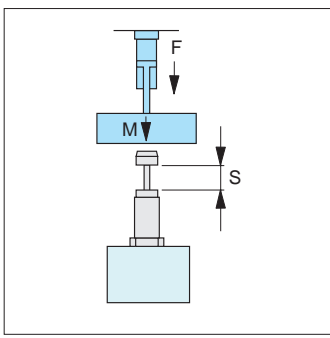
$$E_{TC} = E_T \cdot C = 180,5 \cdot 200 = 36100 \text{ Nm/hr}$$

$$M_e = \frac{2E_T}{v^2} = \frac{2 \cdot 180,5}{2,8^2} = 46 \text{ kg}$$

6) Vertical moving mass - free falling

- m = 40kg
- h = 0,4m
- S = 0,06m
- C = 200/hr

Selection from capacity chart: 68003.W0361 is suitable



$$E_k = \frac{mv^2}{2} = \frac{40 \cdot 1,0^2}{2} = 20 \text{ Nm}$$

$$E_D = F \cdot S = (mg + 0,0785Pd^2) \cdot S = (40 \cdot 9,81 + 0,0785 \cdot 5 \cdot 50^2) \cdot 0,025 = 33,5 \text{ Nm}$$

$$E_T = E_k + E_D = 20 + 33,5 = 55,5 \text{ Nm}$$

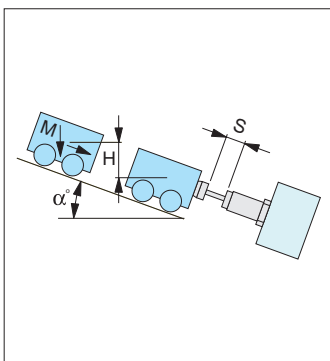
$$E_{TC} = E_T \cdot C = 55,5 \cdot 200 = 11100 \text{ Nm/hr}$$

$$M_e = \frac{2E_T}{v^2} = \frac{2 \cdot 55,5}{1,0^2} = 111 \text{ kg}$$

7) Vertical moving mass - with propelling force

- m = 40kg
- h = 0,3m
- S = 0,025m
- P = 5bar
- d = 50mm
- C = 200/hr
- v = 1,0m/s

Selection from capacity chart: 68024.W0252 is suitable



$$v = \sqrt{2g \cdot h} = \sqrt{2 \cdot 9,81 \cdot 0,3} = 2,43 \text{ m/s}$$

$$E_k = \frac{mv^2}{2} = \frac{150 \cdot 2,43^2}{2} = 443 \text{ Nm}$$

$$E_D = F \cdot S = m \cdot g \cdot S \cdot \sin \alpha = 150 \cdot 9,81 \cdot 0,075 \cdot \sin 30^\circ = 55,2 \text{ Nm}$$

$$E_T = E_k + E_D = 433 + 55,2 = 498,2 \text{ Nm}$$

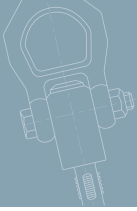
$$E_{TC} = E_T \cdot C = 498,2 \cdot 200 = 99640 \text{ Nm/hr}$$

$$M_e = \frac{2E_T}{v^2} = \frac{2 \cdot 498,2}{2,43^2} = 168,7 \text{ kg}$$

8) Free moving mass - on inclined plane

- m = 150kg
- h = 0,3m
- α = 30°
- S = 0,075m
- C = 200/hr

Selection from capacity chart: 68024.W0423 is suitable



9) Horizontal rotating door

- m = 20kg
- $\omega = 2,0\text{rad/s}$
- T = 20Nm
- R_S = 0,8m
- A = 1,0m
- B = 0,05m
- S = 0,016m
- C = 100/hr

$$I = \frac{m(4A^2 + B^2)}{12} = \frac{20(4 \cdot 1,0^2 + 0,05^2)}{12} = 6,67\text{kg} \cdot \text{m}^2$$

$$E_k = \frac{I^2}{2} = \frac{6,67 \cdot 2,0^2}{2} = 13,34\text{Nm}$$

$$= \frac{S}{R_S} = \frac{0,04}{0,8} = 0,05\text{rad}$$

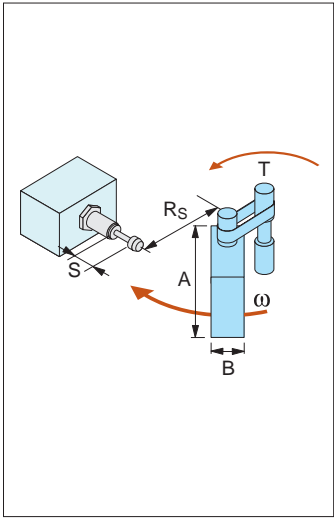
$$E_D = T \cdot = 20 \cdot 0,5 = 1,0\text{Nm}$$

$$E_T = E_k + E_D = 13,34 + 1,0 = 14,34\text{Nm}$$

$$E_{TC} = E_T \cdot C = 14,34 \cdot 100 = 1434\text{Nm/hr}$$

$$v = \cdot R_S = 2,0 \cdot 0,8 = 1,6\text{m/s}$$

$$M_e = \frac{2E_T}{v^2} = \frac{2 \cdot 14,34}{1,6^2} = 11,2\text{kg}$$



Selection from capacity chart: 68002.W0203 is suitable

10) Horizontal rotating mass - with torque

- m = 40kg
- A = 0,5m
- B = 0,05m
- $\omega = 2,0\text{rad/s}$
- T = 10Nm
- R_S = 0,4m
- S = 0,05m
- C = 50/hr

$$I = \frac{m(4A^2 + B^2)}{12} = \frac{40(4 \cdot 0,5^2 + 0,05^2)}{12} = 3,36\text{kg} \cdot \text{m}^2$$

$$E_k = \frac{I^2}{2} = \frac{3,36 \cdot 2,0^2}{2} = 6,8\text{Nm}$$

$$= \frac{S}{R_S} = \frac{0,05}{0,4} = 0,125\text{rad}$$

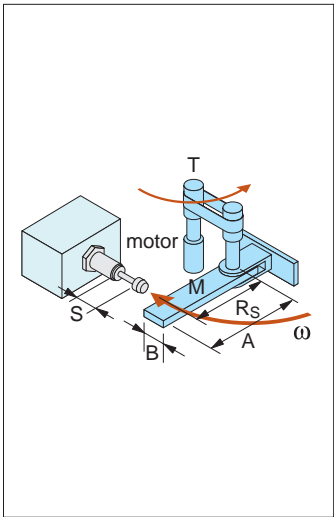
$$E_D = T \cdot = 10 \cdot 0,125 = 1,25\text{Nm}$$

$$E_T = E_k + E_D = 6,8 + 1,25 = 8,05\text{Nm}$$

$$E_{TC} = E_T \cdot C = 8,05 \cdot 50 = 402,5\text{Nm/hr}$$

$$v = \cdot R_S = 2,0 \cdot 0,4 = 0,8\text{m/s}$$

$$M_e = \frac{2E_T}{v^2} = \frac{2 \cdot 8,05}{0,8^2} = 25,15\text{kg}$$



Selection from capacity chart: 68003.W0361 is suitable

11) Rotary index table - with propelling force

- m = 200kg
- $\omega = 1,0\text{rad/s}$
- T = 100Nm
- R = 0,5m
- R_S = 0,4m
- S = 0,04m
- C = 100/hr

$$I = \frac{mR^2}{2} = \frac{200 \cdot 0,5^2}{2} = 25\text{kg} \cdot \text{m}^2$$

$$E_k = \frac{I^2}{2} = \frac{25 \cdot 1,0^2}{2} = 12,5\text{Nm}$$

$$= \frac{S}{R_S} = \frac{0,04}{0,4} = 0,1\text{rad}$$

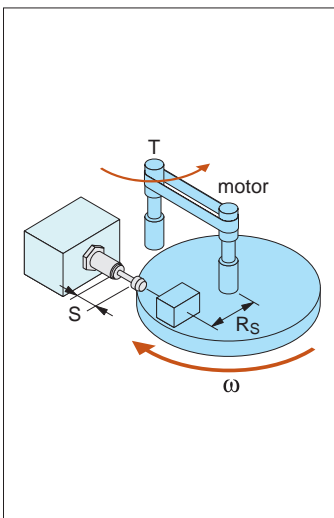
$$E_D = T \cdot = 100 \cdot 0,1 = 10\text{Nm}$$

$$E_T = E_k + E_D = 12,5 + 10 = 22,5\text{Nm}$$

$$E_{TC} = E_T \cdot C = 22,5 \cdot 50 = 1125\text{Nm/hr}$$

$$v = \cdot R_S = 1,0 \cdot 0,4 = 0,4\text{m/s}$$

$$M_e = \frac{2E_T}{v^2} = \frac{2 \cdot 22,5}{0,4^2} = 281\text{kg}$$



Selection from capacity chart: 68024.W0255 is suitable



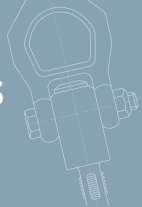
68001 - shock absorbers - self compensating

Order Number	Stroke (mm)	Thread (mm)	Max. Energy per cycle Nm (ET)	Max. Energy per hour Nm/hr (ETC)	Max. Effective Mass Kg (Me)	Max. Impact Speed m/s (v)	Operating temp. (°C)	Avai. w/o cap	Avai. with cap	Flange Avai.	Stop Collar Avai.	Weight (g)
68001.W0081	6	M 8 x 1,0	2	8,800	0,5	2,0	-10~+80	•	•	-	•	11
68001.W0082	6	M 8 x 1,0	2	8,800	2,0	1,0	-10~+80	•	•	-	•	11
68001.W0083	6	M 8 x 1,0	2	8,800	6,0	0,5	-10~+80	•	•	-	•	11
68001.W0101	5	M10 x 1,0	3	10,800	1,0	3,0	-10~+80	•	•	-	•	14
68001.W0102	5	M10 x 1,0	3	10,800	3,0	1,5	-10~+80	•	•	-	•	14
68001.W0103	5	M10 x 1,0	3	10,800	7,0	0,8	-10~+80	•	•	-	•	14
68001.W0104	8	M10 x 1,0	4	15,200	2,0	3,0	-10~+80	•	•	-	•	20
68001.W0105	8	M10 x 1,0	4	15,200	4,0	1,5	-10~+80	•	•	-	•	20
68001.W0106	8	M10 x 1,0	4	15,200	9,0	0,8	-10~+80	•	•	-	•	20
68001.W0107	10	M10 x 0,75	4	10,800	1,0	3,0	-10~+80	•	•	-	•	20
68001.W0108	10	M10 x 0,75	4	10,800	2,0	1,0	-10~+80	•	•	-	•	20
68001.W0109	10	M10 x 0,75	4	10,800	3,0	0,5	-10~+80	•	•	-	•	20
68001.W0121	10	M12 x 1,0	5	17,640	5,0	3,0	-10~+80	•	•	-	•	32
68001.W0122	10	M12 x 1,0	5	17,640	10,0	1,5	-10~+80	•	•	-	•	32
68001.W0123	10	M12 x 1,0	5	17,640	30,0	0,8	-10~+80	•	•	-	•	32

68002, 68004 - shock absorbers - self compensating

Order Number	Stroke (mm)	Thread (mm)	Max. Energy per cycle Nm (ET)	Max. Energy per hour Nm/hr (ETC)	Max Effective Mass Kg (Me)	Max. Impact Speed m/s (v)	Operating temp. (°C)	Avai. w/o cap	Avai. with cap	Flange Avai.	Stop Collar Avai.	Weight (g)
68002.W0141	12	M14 x 1,5	15	30,000	8	3,0	-10~+80	•	•	-	•	80
68002.W0142	12	M14 x 1,5	15	30,000	50	1,5	-10~+80	•	•	-	•	80
68002.W0143	12	M14 x 1,5	15	30,000	100	0,8	-10~+80	•	•	-	•	80
68002.W0147	16	M14 x 1,5	20	35,000	10	3,0	-10~+80	•	•	-	•	80
68002.W0148	16	M14 x 1,5	20	35,000	70	1,0	-10~+80	•	•	-	•	80
68002.W0149	16	M14 x 1,5	20	35,000	150	0,5	-10~+80	•	•	-	•	80
68002.W0198	20	M14 x 1,5	20	35,000	10	3,0	-10~+80	•	•	-	•	80
68002.W0199	20	M14 x 1,5	20	35,000	70	1,0	-10~+80	•	•	-	•	80
68002.W0200	20	M14 x 1,5	20	35,000	150	0,5	-10~+80	•	•	-	•	80
68002.W0201	20	M20 x 1,5	40	40,000	30	3,5	-10~+80	•	•	-	•	215
68002.W0202	20	M20 x 1,5	40	40,000	200	2,0	-10~+80	•	•	-	•	215
68002.W0203	20	M20 x 1,5	40	40,000	700	1,0	-10~+80	•	•	-	•	215
68002.W0204	30	M20 x 1,5	50	48,000	30	3,5	-10~+80	•	•	-	•	220
68002.W0205	30	M20 x 1,5	50	48,000	200	2,0	-10~+80	•	•	-	•	220
68002.W0206	30	M20 x 1,5	50	48,000	700	1,0	-10~+80	•	•	-	•	220
68002.W0207	50	M20 x 1,5	60	60,000	60	3,5	-10~+80	-	•	-	•	300
68002.W0208	50	M20 x 1,5	60	60,000	400	2,0	-10~+80	-	•	-	•	300
68002.W0209	50	M20 x 1,5	60	60,000	1,200	1,0	-10~+80	-	•	-	•	300
68004.W0201	30	M20 x 1,5	45	55,000	40	3,5	-10~+80	-	•	-	•	220
68004.W0202	30	M20 x 1,5	45	55,000	300	2,0	-10~+80	-	•	-	•	220
68004.W0203	30	M20 x 1,5	45	55,000	900	1,0	-10~+80	-	•	-	•	220
68004.W0204	35	M20 x 1,5	52	63,000	40	3,5	-10~+80	-	•	-	•	210
68004.W0205	35	M20 x 1,5	52	63,000	200	2,0	-10~+80	-	•	-	•	210
68004.W0206	35	M20 x 1,5	52	63,000	650	1,0	-10~+80	-	•	-	•	210
68004.W0207	50	M20 x 1,5	60	68,000	60	3,5	-10~+80	-	•	-	•	470
68004.W0208	50	M20 x 1,5	60	68,000	210	2,0	-10~+80	-	•	-	•	470
68004.W0209	50	M20 x 1,5	60	68,000	480	1,0	-10~+80	-	•	-	•	470

ov-W68001-A-T-W68032-A-T-j-rmh- Updated - 31-10-2022



68003 - shock absorbers - self compensating

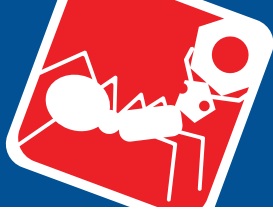
Order Number	Stroke (mm)	Thread (mm)	Max. Energy per cycle Nm (ET)	Max. Energy per hour Nm/hr (ETC)	Max Effective Mass Kg (Me)	Max. Impact Speed m/s (v)	Operating temp. (°C)	Avai. w/o cap	Avai. with cap	Flange Avai.	Stop Collar Avai.	Weight (g)
68003.W0251	25	M25 x 1,5	80	54,000	200	4,0	-10~+80	•	•	-	•	330
68003.W0252	25	M25 x 1,5	80	54,000	800	2,5	-10~+80	•	•	-	•	330
68003.W0253	25	M25 x 1,5	80	54,000	1,500	1,0	-10~+80	•	•	-	•	330
68003.W0254	40	M25 x 1,5	120	75,000	300	4,0	-10~+80	-	•	-	•	430
68003.W0255	40	M25 x 1,5	120	75,000	1,200	2,5	-10~+80	-	•	-	•	430
68003.W0256	40	M25 x 1,5	120	75,000	2,000	1,0	-10~+80	-	•	-	•	430
68003.W0257	50	M25 x 1,5	98	90,000	15	4,0	-10~+80	•	•	-	•	435
68003.W0258	50	M25 x 1,5	98	90,000	40	2,5	-10~+80	•	•	-	•	435
68003.W0259	50	M25 x 1,5	98	90,000	160	1,0	-10~+80	•	•	-	•	435
68003.W0261	80	M25 x 1,5	150	120,000	20	4,0	-10~+80	•	•	-	•	535
68003.W0262	80	M25 x 1,5	150	120,000	50	2,5	-10~+80	•	•	-	•	535
68003.W0263	80	M25 x 1,5	150	120,000	200	1,0	-10~+80	•	•	-	•	535
68003.W0361	60	M36 x 1,5	250	120,000	400	4,0	-10~+80	-	•	•	•	1030
68003.W0362	60	M36 x 1,5	250	120,000	1,500	2,5	-10~+80	-	•	•	•	1030
68003.W0363	60	M36 x 1,5	250	120,000	2,400	1,0	-10~+80	-	•	•	•	1030

68005 - shock absorbers - self compensating

Order Number	Stroke (mm)	Thread (mm)	Max. Energy per cycle Nm (ET)	Max. Energy per hour Nm/hr (ETC)	Max Effective Mass Kg (Me)	Max. Impact Speed m/s (v)	Operating temp. (°C)	Avai. w/o cap	Avai. with cap	Flange Avai.	Stop Collar Avai.	Weight (g)
68005.W0301	25	M30 x 1,5	180	60,000	300	3,0	-10~+80	-	•	-	•	950
68005.W0302	25	M30 x 1,5	180	60,000	700	2,0	-10~+80	-	•	-	•	950
68005.W0303	25	M30 x 1,5	180	60,000	1,300	1,0	-10~+80	-	•	-	•	950

68008 - shock absorbers - self compensating

Order Number	Stroke (mm)	Thread (mm)	Max. Energy per cycle Nm (ET)	Max. Energy per hour Nm/hr (ETC)	Max Effective Mass Kg (Me)	Max. Impact Speed m/s (v)	Operating temp. (°C)	Avai. w/o cap	Avai. with cap	Flange Avai.	Stop Collar Avai.	Weight (g)
68008.W0141	15	M14 x 1,0	9,8	35,280	30	1,0	-10~+80	-	•	-	•	80
68008.W0142	15	M14 x 1,0	9,8	35,280	15	1,5	-10~+80	-	•	-	•	80
68008.W0191	20	M20 x 1,5	36	22,000	27	2	-10~+80	•	•	-	•	170
68008.W0192	25	M20 x 1,5	40	24,200	35	2	-10~+80	•	•	-	•	180
68008.W0201	30	M20 x 1,5	44	26,460	60	1,2	-10~+80	-	•	-	•	185
68008.W0202	30	M20 x 1,5	44	26,460	30	1,7	-10~+80	-	•	-	•	185
68008.W0203	30	M20 x 1,5	44	26,460	15	2,4	-10~+80	-	•	-	•	185
68008.W0204	30	M20 x 1,5	44	26,460	5	4,2	-10~+80	-	•	-	•	205
68008.W0205	30	M20 x 1,5	44	26,460	3	6,0	-10~+80	-	•	-	•	205
68008.W0211	50	M20 x 1,5	59	35,280	30	2,0	-10~+80	-	•	-	•	250
68008.W0212	50	M20 x 1,5	59	35,280	15	2,8	-10~+80	-	•	-	•	250
68008.W0213	50	M20 x 1,5	59	35,280	8	3,8	-10~+80	-	•	-	•	250
68008.W0214	50	M20 x 1,5	59	35,280	5	5,0	-10~+80	-	•	-	•	250
68008.W0215	50	M20 x 1,5	59	35,280	3	6,8	-10~+80	-	•	-	•	235



Wixroyd Shock Absorbers

capacity and selection charts



Materials Handling

68012 - shock absorbers - self compensating

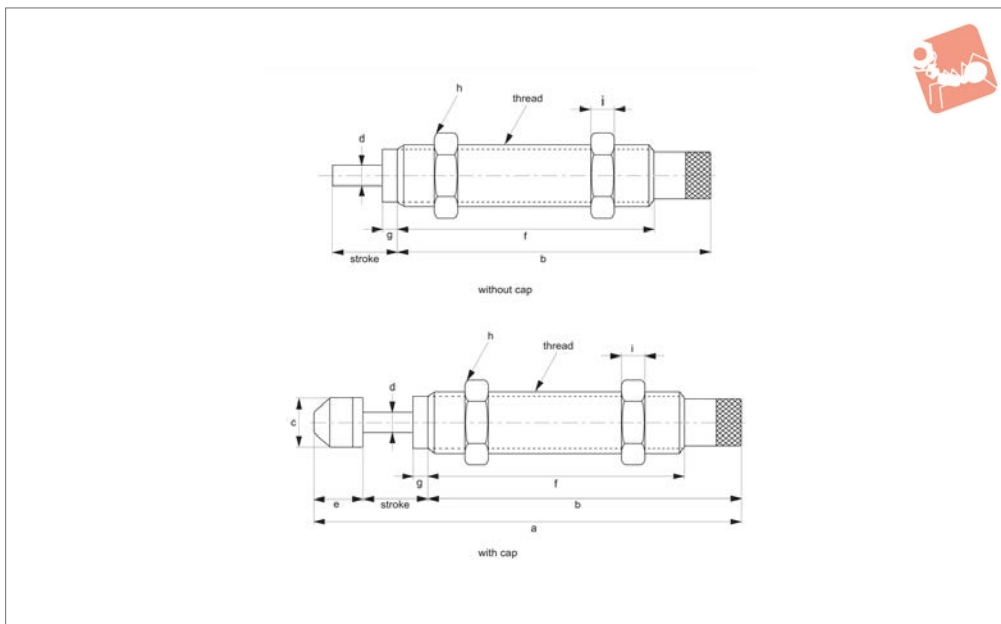
Order Number	Stroke (mm)	Thread (mm)	Max. Energy per cycle Nm (ET)	Max. Energy per hour Nm/hr (ETC)	Max Effective Mass Kg (Me)	Max. Impact Speed m/s (v)	Operating temp. (°C)	Avai. w/o cap	Avai. with cap	Flange Avai.	Stop Collar Avai.	Weight (g)
68012.W0081/82	6	M14 x 1,0	3	7,000	6	2,5	-10~+80	•	•	-	•	17
68012.W0101/102	7	M14 x 1,0	6	12,400	12	3,5	-10~+80	•	•	-	•	28
68012.W0121/122	10	M20 x 1,5	12	22,500	22	4,0	-10~+80	•	•	-	•	32
68012.W0141/142	12	M20 x 1,5	20	33,000	40	5,0	-10~+80	•	•	-	•	70
68012.W0201/202	15	M20 x 1,5	59	38,000	120	5,0	-10~+80	•	•	-	•	160
68012.W0251/252	25	M20 x 1,5	80	60,000	180	5,0	-10~+80	•	•	-	•	295
68012.W0271/272	25	M20 x 1,5	147	72,000	270	5,0	-10~+80	•	•	-	•	375

68020, 68024 - shock absorbers - adjustable

Order Number	Stroke (mm)	Thread (mm)	Max. Energy per cycle Nm (ET)	Max. Energy per hour Nm/hr (ETC)	Max Effective Mass Kg (Me)	Max. Impact Speed m/s (v)	Operating temp. (°C)	Avai. w/o cap	Avai. with cap	Flange Avai.	Stop Collar Avai.	Weight (g)
68020.W0141	10	M14 x 1,5	20	25,000	80	3,0	-10~+80	•	•	-	•	90
68020.W0142	10	M14 x 1,5	20	25,000	80	3,0	-10~+80	•	•	-	•	90
68020.W0199	16	M20 x 1,5	25	28,500	200	3,5	-10~+80	•	•	-	•	222
68020.W0200	16	M20 x 1,5	25	28,500	200	3,5	-10~+80	•	•	-	•	230
68020.W0203	25	M20 x 1,5	39	30,000	200	3,5	-10~+80	•	•	-	•	230
68020.W0204	25	M20 x 1,5	39	30,000	312	3,5	-10~+80	•	•	-	•	240
68024.W0251	25	M25 x 1,5	85	54,000	400	3,5	-10~+80	•	•	-	•	335
68024.W0252	25	M25 x 1,5	85	54,000	400	3,5	-10~+80	•	•	-	•	350
68024.W0253	30	M25 x 1,5	95	60,000	480	3,5	-10~+80	•	•	-	•	340
68024.W0254	30	M25 x 1,5	95	60,000	480	3,5	-10~+80	•	•	-	•	365
68024.W0255	40	M25 x 1,5	100	80,000	700	3,5	-10~+80	-	•	-	•	455
68024.W0256	50	M25 x 1,5	98	90,000	720	4,0	-10~+80	•	•	-	•	455
68024.W0257	80	M25 x 1,5	150	120,000	800	4,0	-10~+80	•	•	-	•	585
68024.W0361	25	M36 x 1,5	150	81,000	1400	3,0	-10~+80	-	•	•	•	955
68024.W0362	50	M36 x 1,5	300	100,000	1400	3,0	-10~+80	-	•	•	•	1100
68024.W0421	25	M42 x 1,5	260	125,000	3000	3,5	-10~+80	-	•	•	-	1280
68024.W0422	50	M42 x 1,5	500	150,000	4000	4,5	-10~+80	-	•	•	-	1490
68024.W0423	75	M42 x 1,5	750	180,000	6000	4,5	-10~+80	-	•	•	-	1710



68020



Material

Outer Tube: STKM11A, hardened and blackened.

Piston Rod: AISI 1045 hardened to HV940°, chrome plated.

Return Spring: DIN GWP.

Muffler Cap: urethane rubber.

Seal: nitrile rubber.

Technical Notes

Adjustable shock absorbers have an adjustment collar at their base to enable setting of optimum deceleration of unit to suit application.

Supplied with rubber muffler cap as standard, this is removable - see introductory technical notes for guidance.

Important Notes

For correct product selection refer to Product Selection Formulae and Calculation pages, and associated Capacity & Selection Charts.

Order No.	With / without cap	Stroke mm	Per hour (ETc)		Nm per cycle (Et)		Effective mass (Me)		Speed (v) m/s max.	Operating temperature °C	Weight g
			Nm max.	Nm max.	Nm max.	Nm max.	kg max.				
68020.W0139	Without	10	22000	12	35	3.0	-10 to +80	66			
68020.W0140	With	10	22000	12	35	3.0	-10 to +80	66			
68020.W0141	Without	10	25000	20	80	3.0	-10 to +80	90			
68020.W0142	With	10	25000	20	80	3.0	-10 to +80	90			
68020.W0143	Without	15	26000	24	100	3.0	-10 to +80	120			
68020.W0144	With	15	26000	24	100	3.0	-10 to +80	120			
68020.W0145	Without	25	27500	28	140	3.0	-10 to +80	194			
68020.W0146	With	25	27500	28	140	3.0	-10 to +80	194			
68020.W0147	Without	12	27500	22	130	3.0	-10 to +80	200			
68020.W0148	With	12	27500	22	130	3.0	-10 to +80	200			
68020.W0199	Without	16	28500	28	200	3.5	-10 to +80	222			
68020.W0200	With	16	28500	28	200	3.5	-10 to +80	230			
68020.W0201	Without	16	27500	28	200	3.0	-10 to +80	230			
68020.W0202	With	16	27500	28	200	3.0	-10 to +80	230			
68020.W0203	Without	25	30000	39	312	3.5	-10 to +80	232			
68020.W0204	With	25	30000	39	312	3.5	-10 to +80	240			
68020.W0205	Without	20	29000	34	298	3.5	-10 to +80	235			
68020.W0206	With	20	29000	34	298	3.5	-10 to +80	235			
68020.W0207	Without	50	52000	69	420	3.5	-10 to +80	330			
68020.W0208	With	50	52000	69	420	3.5	-10 to +80	330			

Order No.	Thread	a	b	c	d	e	f	h	i
68020.W0139	M14x1,5	90.3	71.7	10.3	4	8.6	57.3	14	4
68020.W0140	M14x1,5	90.3	71.7	10.3	4	8.6	57.3	14	4
68020.W0141	M14x1,5	109.5	88.5	12	4	11.2	72.5	19	5
68020.W0142	M14x1,5	109.5	88.5	12	4	11.0	72.5	19	5
68020.W0143	M14x1,5	128.2	102	12	4	11.2	86.0	19	5
68020.W0144	M14x1,5	128.2	102	12	4	11.2	86.0	19	5



Shock Absorber, Adjustable

M14 - M20

Shock Absorbers

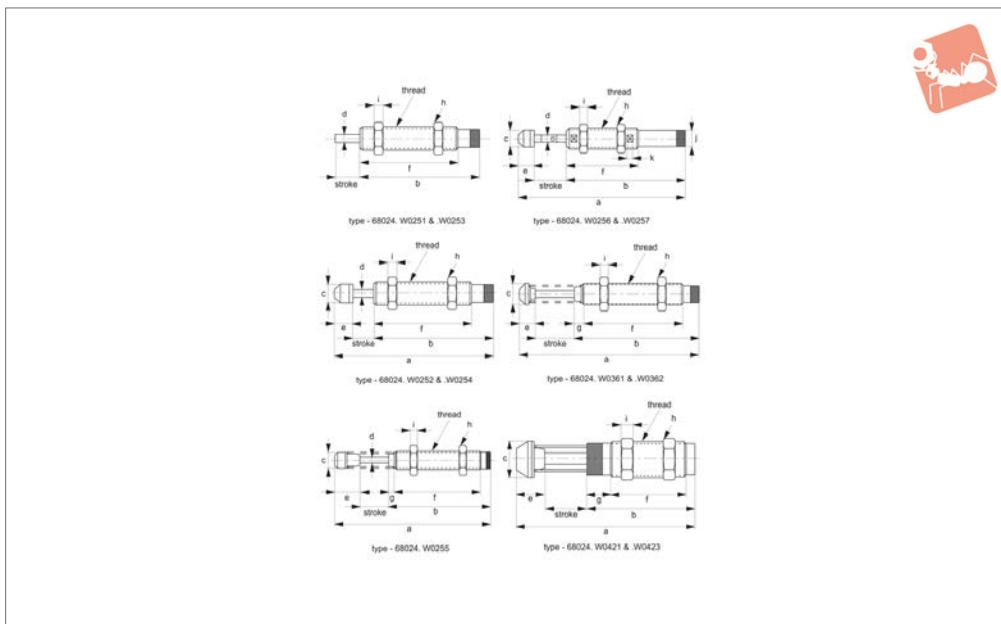
Order No.	Thread	a	b	c	d	e	f	h	i
68020.W0145	M14x1,5	153.2	117	12	4	11.2	101.0	19	5
68020.W0146	M14x1,5	153.2	117	12	4	11.2	101.0	19	5
68020.W0147	M16x1,5	99.0	76.5	14	4	11.2	54.9	19	6
68020.W0148	M16x1,5	99.0	76.5	14	4	11.2	54.9	19	6
68020.W0199	M20x1,5	-	117.0	-	6	-	101.0	26	7
68020.W0200	M20x1,5	158.0	117.0	18	6	15.8	101.0	26	7
68020.W0201	M20x2,0	148.3	117.0	17.8	6	15.3	101.0	26	7
68020.W0202	M20x2,0	148.3	117.0	17.8	6	15.3	101.0	26	7
68020.W0203	M20x1,5	157.3	117.0	17.8	6	15.3	101.0	26	7
68020.W0204	M20x1,5	157.3	117.0	17.8	6	15.3	101.0	26	7
68020.W0205	M20x1,5	152.3	117.0	17.8	6	15.3	101.0	26	7
68020.W0206	M20x1,5	152.3	117.0	17.8	6	15.3	101.0	26	7
68020.W0207	M20x1,5	239.3	174	17.8	6	15.3	158.0	26	7
68020.W0208	M20x1,5	239.3	174	17.8	6	15.3	158.0	26	7



SHOCK ABSORBERS



68024



Material

Outer Tube: STKM11A, hardened and blackened.

Piston Rod: AISI 1045 hardened to HV940°, chrome plated.

Return Spring: DIN GWP.

Muffler Cap: urethane rubber.

Seal: nitrile rubber.

Technical Notes

Adjustable shock absorbers have an adjust-

ment collar at their base to enable setting of optimum deceleration of unit to suit application.

After initial installation, cycle unit a number of times to settle, then turn adjustment collar to desired position for application.

Supplied with rubber muffler cap as standard, this is removable - see introductory technical notes for guidance.

Important Notes

For correct product selection refer to Product Selection Formulae and Calculation pages, and associated Capacity & Selection Charts.

Order No.	With / without cap	Stroke mm	Per hour (ETc)		Nm per cycle (Et)		Effective mass (Me) kg max.	Impact speed (v) m/s max.	Operating temperature °C	Weight g
			Nm max.	Nm max.						
68024.W0251	Without	25	54000	85	400	3.5	-10 to +80	335		
68024.W0252	With	25	54000	85	400	3.5	-10 to +80	350		
68024.W0253	Without	30	60000	95	480	3.5	-10 to +80	340		
68024.W0254	With	30	60000	95	480	3.5	-10 to +80	365		
68024.W0255	With	40	80000	100	700	3.5	-10 to +80	455		
68024.W0256	With	50	90000	120	720	4.0	-10 to +80	455		
68024.W0257	With	80	120000	150	800	4.0	-10 to +80	585		
68024.W0361	With	25	81000	150	1400	3.0	-10 to +80	955		
68024.W0362	With	50	81000	300	1400	3.0	-10 to +80	1100		
68024.W0260	Without	25	75700	195	1400	3.3	-10 to +80	482		
68024.W0261	Without	25	75700	195	1400	3.3	-10 to +80	482		
68024.W0262	With	52	98962	385	2400	3.3	-10 to +80	708		
68024.W0263	Without	52	98962	385	2400	3.3	-10 to +80	708		
68024.W0421	With	25	125000	260	3000	3.5	-10 to +80	1280		
68024.W0422	With	50	150000	500	4000	4.5	-10 to +80	1490		
68024.W0423	With	75	180000	750	6000	4.5	-10 to +80	1710		

Order No.	Thread	a	b	c	d	e	f	h	g	i	j	k
68024.W0251	M25x1,5	-	118.5	-	8	-	101.0	32	-	9	-	-
68024.W0252	M25x1,5	163.0	118.5	22.0	8	19.0	101.0	32	-	9	-	-
68024.W0253	M25x1,5	-	118.5	-	8	-	101.0	32	-	9	-	-
68024.W0254	M25x1,5	167.5	118.5	22.0	8	19.0	101.0	32	-	9	-	-
68024.W0255	M25x1,5	221.5	144.5	22.0	8	37.0	117.0	32	10.0	9	-	-
68024.W0256	M25x1,5	247.0	178.0	22.0	8	19.0	100.0	32	-	9	23	11



Shock Absorber, Adjustable

M25 - M42

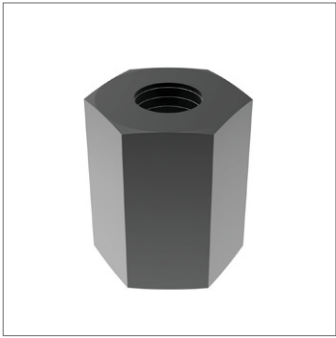
Shock Absorbers

Order No.	Thread	a	b	c	d	e	f	h	g	i	j	k
68024.W0257	M25x1,5	343.5	244.5	22.0	8	19.0	100.0	32	-	9	23	11
68024.W0361	M36x1,5	183.8	123.0	35.5	10	25.8	103.0	46	10.0	15	-	-
68024.W0362	M36x1,5	246.8	154.0	35.5	10	25.8	134.0	46	17.0	15	-	-
68024.W0260	M33x1,5	150.3	110.5	28.5	10	13.8	77.9	45	19.1	11	29.7	16
68024.W0261	M33x1,5	150.3	110.5	28.5	10	13.8	77.9	45	19.1	11	29.7	16
68024.W0262	M33x1,5	217.3	151.5	28.5	10	13.8	118.7	45	19.1	11	29.7	16
68024.W0263	M33x1,5	217.3	151.5	28.5	10	13.8	118.7	45	19.1	11	29.7	16
68024.W0421	M42x1,5	186.4	127.5	44.5	12	33.9	88.0	50	28.5	15	-	-
68024.W0422	M42x1,5	240.9	157.0	44.5	12	33.9	117.5	50	28.5	15	-	-
68024.W0423	M42x1,5	301.4	187.5	44.5	12	33.9	148.0	50	28.5	15	-	-

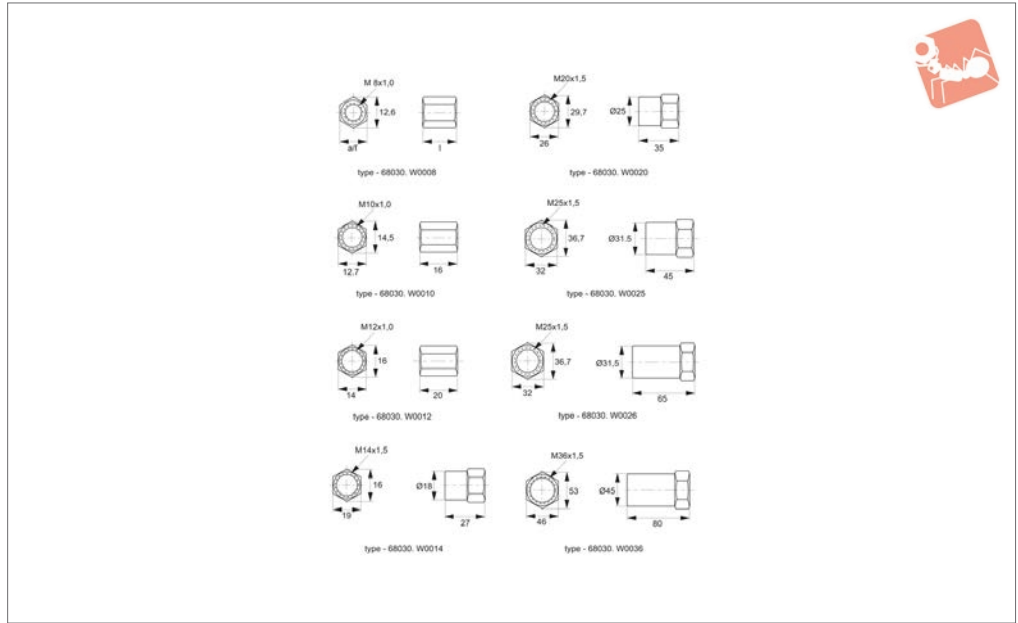




SHOCK ABSORBERS



68030



Material

Steel, hardened and blackened.

Technical Notes

For use with Wixroyd range of shock absorbers,

stop collars can be used to adjust both the stroke and fixing position of the shock absorber.

Stop collar plus half nut supplied.

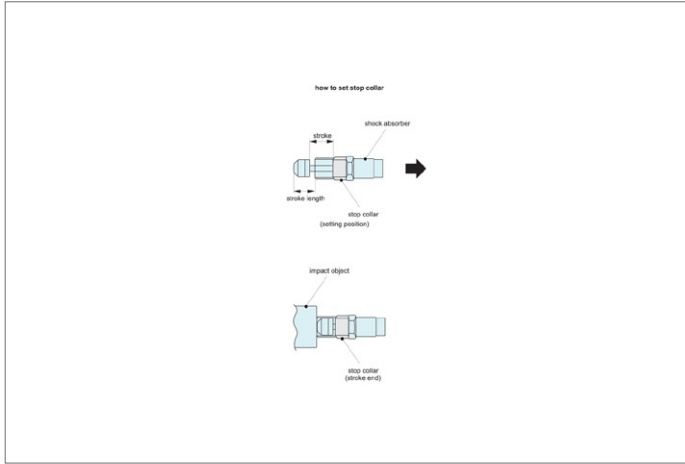
Order No.	Thread	l	To suit shock absorber size	A/F	Dia. Ø
68030.W0008	M 8x1,0	14	68001.W0081, .W0082, .W0083 68012.W0081, .W0082	11.0	-
68030.W0010	M10x1,0	16	68001.W0101, .W0102, .W0103, .W0104, .W0105, .W0106 68012.W0101, .W0102	12.7	-
68030.W0012	M12x1,0	20	68001.W0121, .W0122, .W0123 68012.W0121, .W0122	14.0	-
68030.W0014	M14x1,5	27	68002.W0141, .W0142, .W0143, .W0144, .W0145, .W0146 68008.W0141, .W0142 68012.W0141, .W0142 68020.W0141, .W0142	19.0	18.0
68030.W0020	M20x1,5	35	68002.W0201, .W0202, .W0203, .W0204, .W0205, .W0206, .W0207, .W0208, .W0209 68004.W0201, .W0202, .W0203, .W0204, .W0205, .W0206 68008.W0201, .W0202, .W0203, .W0204, .W0205, .W0206	26.0	25.0
68030.W0025	M25x1,5	45	68003.W0251, .W0252, .W0253, .W0257, .W0258, .W0259, .W0260, .W0261, .W0262, .W0263 68012.W0251, .W0252 68024.W0252, .W0254, .W0255, .W0257	32.0	31.5
68030.W0026	M25x1,5	65	68003.W0254, .W0255, .W0256 68024.W0255	32.0	31.5
68030.W0036	M36x1,5	80	68003.W0361, .W0362, .W0363 68024.W0361, .W0362	46.0	45.0

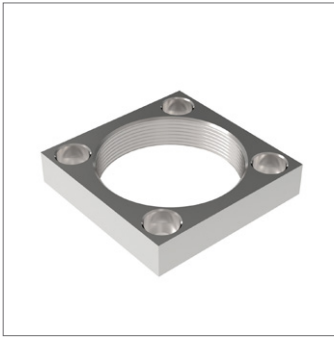


Stop Collars for Shock Absorbers

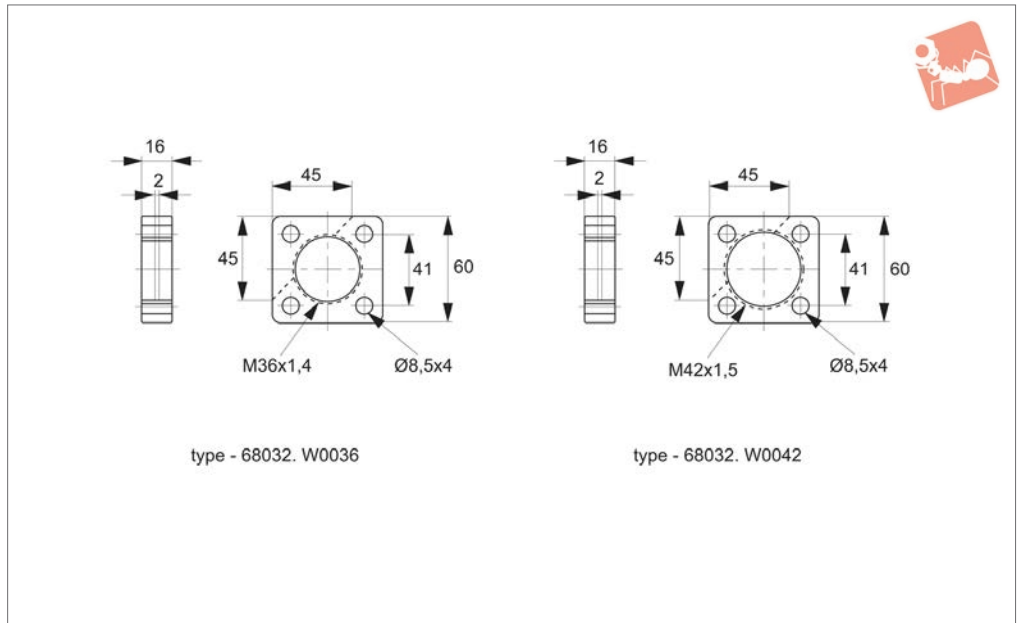
M8 to M36

Shock Absorbers





68032



Material

Steel, hardened and blackened.

Technical Notes

Provide easy mounting of Wixroyd Shock Absorbers in our application.

Order No.	Thread	To suit shock absorber size
68032.W0036	M36 x 1,5	68003.W0361, .W0362, .W0363
68032.W0042	M42 x 1,5	68024.W0361, .W0632 68024.W0421, .W0422, .W0423