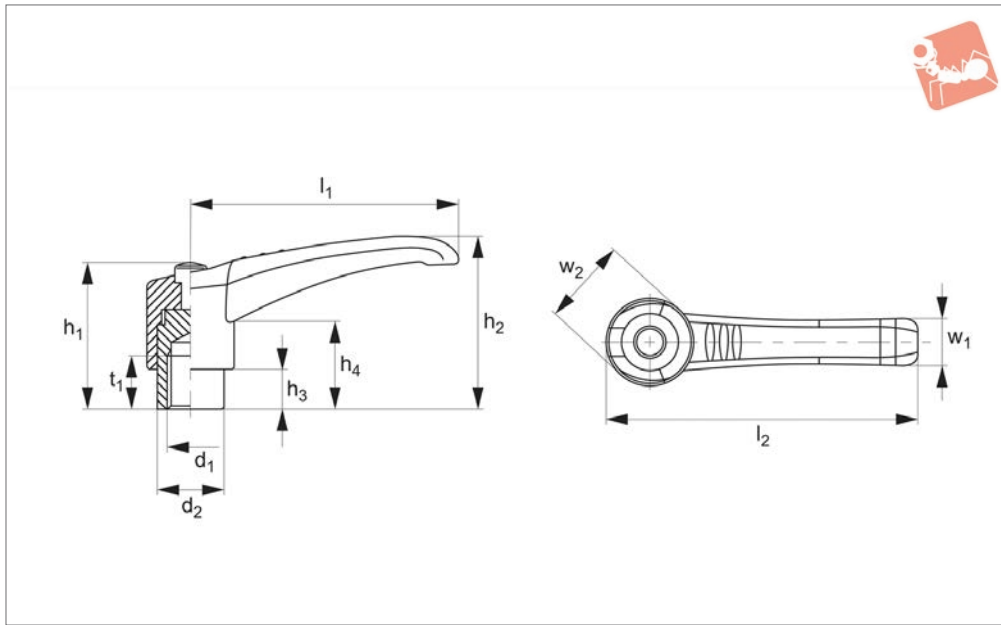




Adjustable Clamping Levers threaded insert

Clamping Levers



74760

CLAMPING LEVERS

Material

Black, matt thermoplast, reinforced.
Insert: zinc plated steel.

Button: black.

subject to minimum quantities.

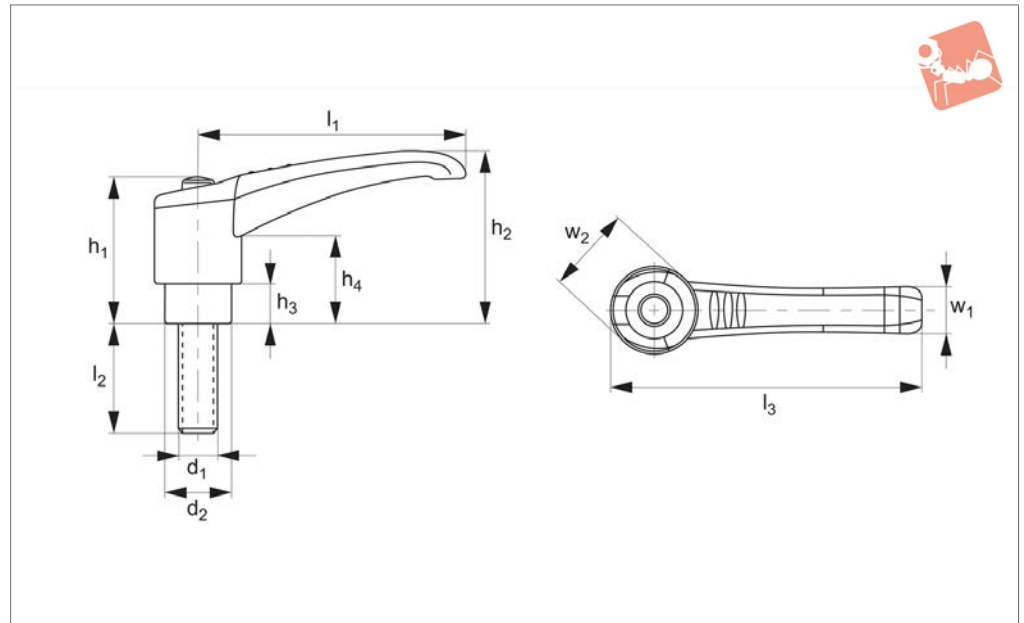
Important Notes

Other button colours available on request

Order No.	l_1	d_1	l_2	d_2	h_1	h_2	h_3	h_4	t_1	w_1	w_2	Weight g
74760.W0452	45	M 5	53	12	30	33.5	7.5	18	8	10.5	16	22
74760.W0453	45	M 6	53	12	30	33.5	7.5	18	8	10.5	16	24
74760.W0652	65	M 6	75	15	35	41.0	7.5	19	11	13.5	20	26
74760.W0653	65	M 8	75	15	35	41.0	7.5	19	11	13.5	20	24
74760.W0801	80	M 8	92	20	45	53.0	12.0	26	16	16.5	24	55
74760.W0802	80	M10	92	20	45	53.0	12.0	26	16	16.5	24	56
74760.W0803	80	M12	92	20	45	53.0	12.0	26	16	16.5	24	57
74760.W0951	95	M12	108	21	50	61.0	13.0	30	22	19.0	27	83
74760.W0952	95	M14	108	21	50	61.0	13.0	30	22	19.0	27	94
74760.W0953	95	M16	108	21	50	61.0	13.0	30	22	19.0	27	89



74780



CLAMPING LEVERS

Material

Black, matt thermoplast, reinforced.
Insert, zinc plated steel.

Button: black.

subject to minimum quantities.

Important Notes

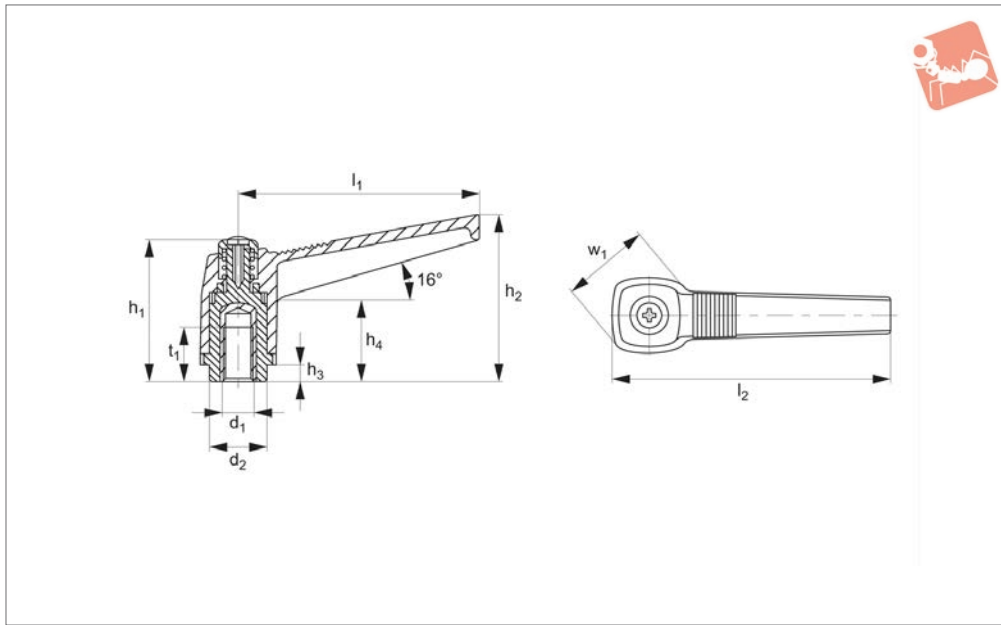
Other button colours available on request

Order No.	l_1	d_1	l_2	d_2	h_1	h_2	h_3	h_4	l_3	w_1	w_2	Weight g
74780.W0452	45	M 5	20	12	29	33.5	7.5	18	53	10.5	16	19
74780.W0453	45	M 5	30	12	29	33.5	7.5	18	53	10.5	16	20
74780.W0455	45	M 6	20	12	29	33.5	7.5	18	53	10.5	16	20
74780.W0651	65	M 6	20	15	34	41.0	7.5	19	75	13.5	20	30
74780.W0652	65	M 6	40	15	34	41.0	7.5	19	75	13.5	20	33
74780.W0653	65	M 8	20	15	34	41.0	7.5	19	75	13.5	20	35
74780.W0654	65	M 8	30	15	34	41.0	7.5	19	75	13.5	20	38
74780.W0655	65	M 8	40	15	34	41.0	7.5	19	75	13.5	20	44
74780.W0801	80	M 8	30	20	44	53.0	12.0	26	92	16.5	24	61
74780.W0802	80	M 8	40	20	44	53.0	12.0	26	92	16.5	24	78
74780.W0803	80	M 8	50	20	44	53.0	12.0	26	92	16.5	24	81
74780.W0804	80	M10	20	20	44	53.0	12.0	26	92	16.5	24	74
74780.W0805	80	M10	40	20	44	53.0	12.0	26	92	16.5	24	85
74780.W0806	80	M10	50	20	44	53.0	12.0	26	92	16.5	24	89
74780.W0807	80	M12	40	20	44	53.0	12.0	26	92	16.5	24	101
74780.W0808	80	M12	50	20	44	53.0	12.0	26	92	16.5	24	108
74780.W0951	95	M12	50	21	50	61.0	13.0	30	108	19.0	27	139
74780.W0952	95	M12	70	21	50	61.0	13.0	30	108	19.0	27	154
74780.W0953	95	M14	40	21	50	61.0	13.0	30	108	19.0	27	150
74780.W0954	95	M14	50	21	50	61.0	13.0	30	108	19.0	27	166
74780.W0955	95	M16	50	21	50	61.0	13.0	30	108	19.0	27	193
74780.W0956	95	M16	60	21	50	61.0	13.0	30	108	19.0	27	220



Adjustable Clamping Levers threaded inserts

Clamping Levers



74800

CLAMPING LEVERS

Material

Black, matt thermoplastic, reinforced.
Brass insert.

Technical Notes

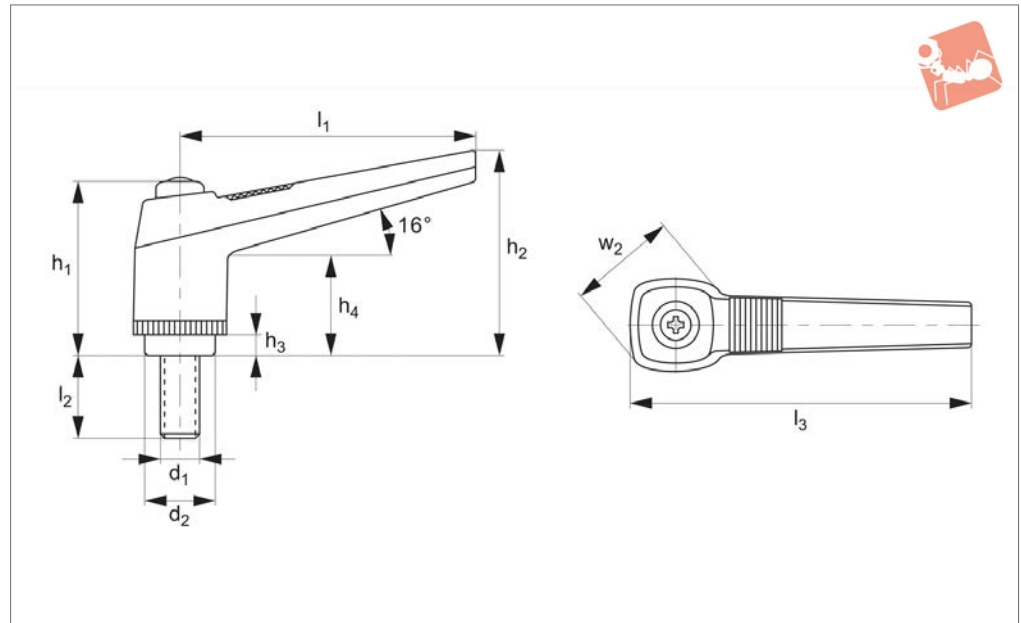
Special size and colours available on request, subject to minimum order quantity.

tity.

Order No.	l_1	d_1	l_2	d_2	h_1	h_2	h_3	h_4	t_1	w_1	Weight g
74800.W0421	42	M 4	50	12	29	32	3	17	9	19	11
74800.W0422	42	M 5	50	12	29	32	3	17	9	19	11
74800.W0423	42	M 6	50	12	29	32	3	17	9	19	11
74800.W0631	63	M 5	73	15	39	43	4	21	13	25	23
74800.W0632	63	M 6	73	15	39	43	4	21	13	25	23
74800.W0633	63	M 8	73	15	39	43	4	21	13	25	24
74800.W0801	80	M 8	92	19	48	54	6	27	15	30	44
74800.W0802	80	M10	92	19	48	54	6	27	16	30	44
74800.W0803	80	M12	92	19	48	54	6	27	18	30	45
74800.W0901	100	M12	115	25	58	66	8	30	18	36	83
74800.W0902	100	M14	115	25	58	66	8	30	20	36	84
74800.W0903	100	M16	115	25	58	66	8	30	20	36	87



74820



CLAMPING LEVERS

Material

Black, thermoplastic, glass fibre reinforced. Zinc plated steel stud.

Technical Notes

Special size and colours available on request, subject to minimum order quantity.

tity.

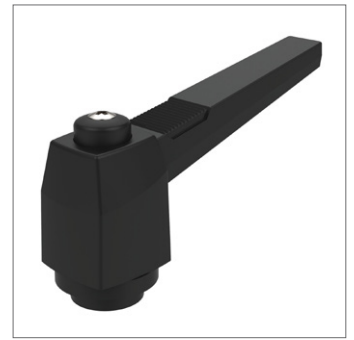
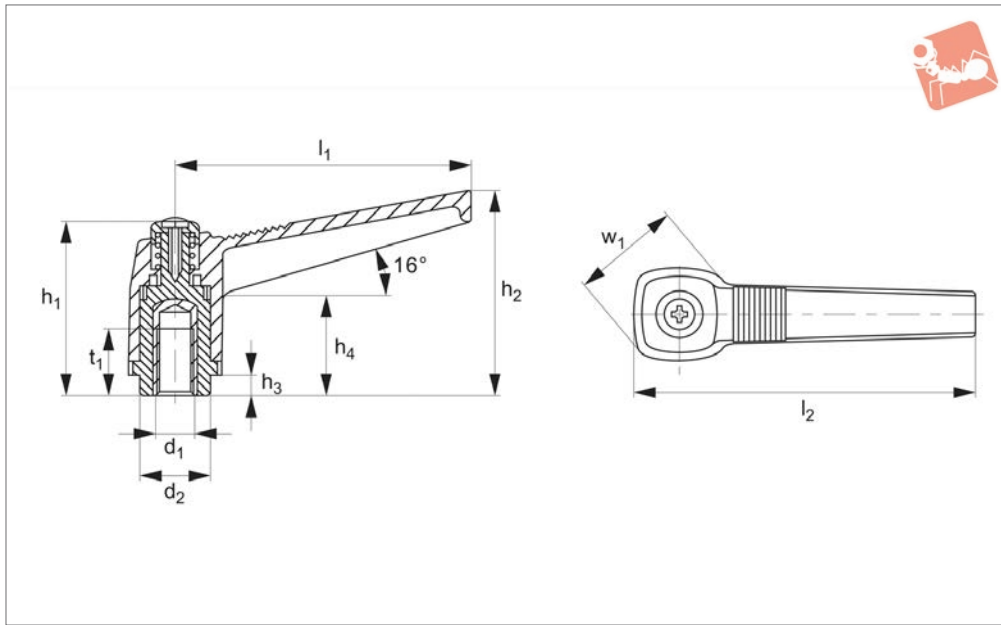
Order No.	l_1	d_1	l_2	d_2	h_1	h_2	h_3	h_4	l_3	w_2	Weight g
74820.W0541	42	M 4	20	12	29	32	3	17	50	19	11
74820.W0542	42	M 5	20	12	29	32	3	17	50	19	13
74820.W0543	42	M 5	30	12	29	32	3	17	50	19	14
74820.W0544	42	M 6	20	12	29	32	3	17	50	19	15
74820.W0545	42	M 6	30	12	29	32	3	17	50	19	16
74820.W0560	63	M 5	20	15	39	43	4	21	73	25	24
74820.W0561	63	M 6	20	15	39	43	4	21	73	25	28
74820.W0562	63	M 6	25	15	39	43	4	21	73	25	25
74820.W0563	63	M 6	40	15	39	43	4	21	73	25	31
74820.W0564	63	M 8	20	15	39	43	4	21	73	25	33
74820.W0565	63	M 8	25	15	39	43	4	21	73	25	34
74820.W0566	63	M 8	30	15	39	43	4	21	73	25	36
74820.W0567	63	M 8	40	15	39	43	4	21	73	25	38
74820.W0568	63	M 8	50	15	39	43	4	21	73	25	39
74820.W0580	80	M 8	20	19	48	54	6	27	92	30	48
74820.W0581	80	M 8	30	19	48	54	6	27	92	30	51
74820.W0582	80	M 8	40	19	48	54	6	27	92	30	55
74820.W0583	80	M 8	50	19	48	54	6	27	92	30	58
74820.W0584	80	M10	25	19	48	54	6	27	92	30	58
74820.W0585	80	M10	40	19	48	54	6	27	92	30	66
74820.W0586	80	M10	50	19	48	54	6	27	92	30	71
74820.W0587	80	M10	60	19	48	54	6	27	92	30	78
74820.W0588	80	M12	30	19	48	54	6	27	92	30	82
74820.W0589	80	M12	60	19	48	54	6	27	92	30	102
74820.W0600	100	M12	40	25	58	66	8	30	115	36	120
74820.W0601	100	M12	50	25	58	66	8	30	115	36	126
74820.W0602	100	M12	70	25	58	66	8	30	115	36	149
74820.W0603	100	M14	40	25	58	66	8	30	115	36	146
74820.W0604	100	M14	50	25	58	66	8	30	115	36	162
74820.W0605	100	M14	70	25	58	66	8	30	115	36	181
74820.W0606	100	M16	40	25	58	66	8	30	115	36	170
74820.W0607	100	M16	50	25	58	66	8	30	115	36	184
74820.W0608	100	M16	70	25	58	66	8	30	115	36	210



Adjustable Clamping Levers

threaded insert, **stainless steel** insert

Clamping Levers



74830

CLAMPING LEVERS

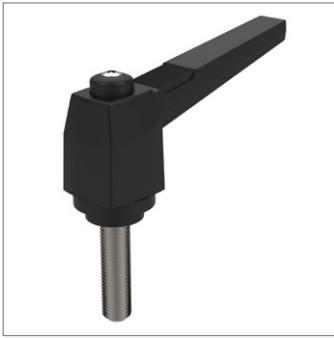
Material

Black, matt thermoplastic, reinforced.
Stainless steel insert.

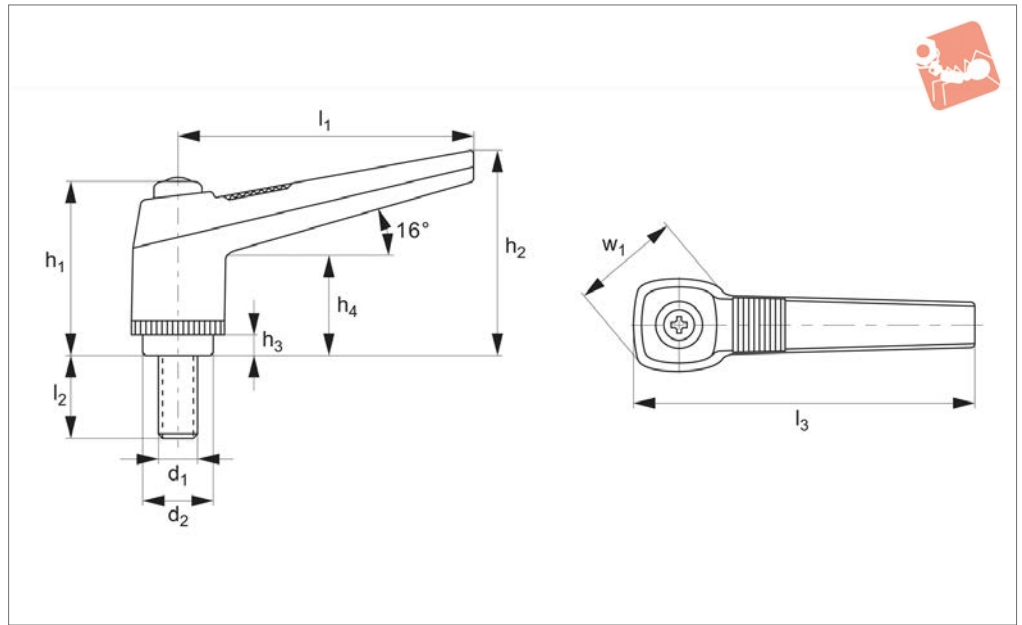
Technical Notes

For certain minimum quantities, colours
are available on request.

Order No.	l_1	d_1	l_2	d_2	h_1	h_2	h_3	h_4	t_1	w_1	Weight g
74830.W0423	42	M 6	50	12	29	32	3	17	9	19	11
74830.W0633	63	M 8	73	15	39	43	4	21	13	25	24
74830.W0802	80	M10	92	19	48	54	6	27	16	30	44



74840



Material

Black, matt thermoplastic with stainless steel thread AISI 303 (1.4305).

Technical Notes

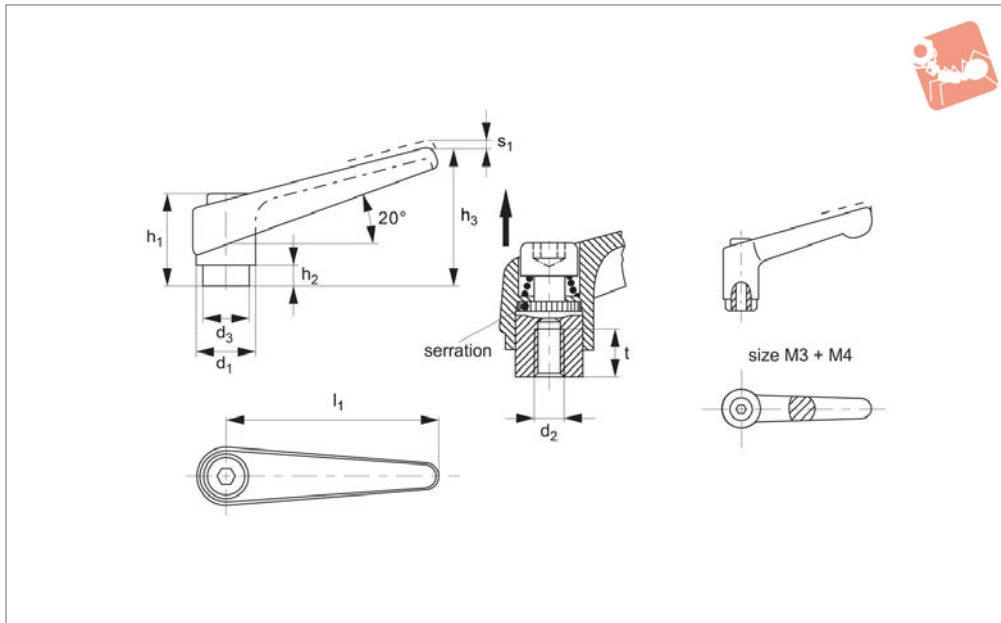
Special colours available on request, subject to minimum order quantity.

Order No.	l_1	d_1	l_2	d_2	h_1	h_2	h_3	h_4	l_3	w_1	Weight g
74840.W0420	42	M 6	20	12	29	32	3	17	50	19	15
74840.W0430	42	M 6	30	12	29	32	3	17	50	19	16
74840.W0620	63	M 8	20	15	39	43	4	21	73	25	33
74840.W0625	63	M 8	25	15	39	43	4	21	73	25	34
74840.W0630	63	M 8	30	15	39	43	4	21	73	25	36
74840.W0825	80	M10	25	19	48	54	6	27	92	30	58
74840.W0830	80	M10	30	19	48	54	6	27	92	30	61



Adjustable Clamping Levers threaded bore

Clamping Levers



74410

CLAMPING LEVERS

Material

Handle: die-cast zinc.

- Orange RAL 2004
- Black RAL 9005
- Silver RAL 9006

Inner parts: steel, quality 5.8, blackened.
Threaded part: steel, quality 5, blackened.

Technical Notes

By lifting the lever, the serrations are

disengaged. The handle can be positioned by the serrations, and the threaded insert can be exchanged. Upon releasing the handle, the serrations are automatically re-engaged.

Order No.	Colour	Finish	d ₁	d ₂	d ₃	h ₁	h ₂	h ₃	l ₂	Stroke s ₁	t ≤	Weight g
74410.W0032	Orange	Female	13	M 3	10.0	24.5	4.0	30.5	30	3.5	7	25
74410.W0034	Black	Female	13	M 3	10.0	24.5	4.0	30.5	30	3.5	7	25
74410.W0035	Black	Female	13	M 3	10.0	24.5	4.0	30.5	30	3.5	7	26
74410.W0036	Orange	Female	13	M 4	10.0	24.5	4.0	30.5	30	3.5	9	25
74410.W0038	Black	Female	13	M 4	10.0	24.5	4.0	30.5	30	3.5	9	25
74410.W0040	Black	Female	13	M 4	10.0	24.5	4.0	30.5	30	3.5	9	25
74410.W0111	Orange	Female	14	M 5	10.0	24.5	4.0	35.0	45	3.0	8	33
74410.W0113	Grey	Female	14	M 5	10.0	24.5	4.0	35.0	45	3.0	8	33
74410.W0114	Black	Female	14	M 5	10.0	24.5	4.0	35.0	45	3.0	8	33
74410.W0121	Orange	Female	14	M 6	10.0	24.5	4.0	35.0	45	3.0	8	33
74410.W0123	Grey	Female	14	M 6	10.0	24.5	4.0	35.0	45	3.0	8	33
74410.W0124	Black	Female	14	M 6	10.0	24.5	4.0	35.0	45	3.0	8	33
74410.W0311	Orange	Female	18	M 6	13.5	31.0	6.5	45.0	62	3.0	10	67
74410.W0313	Grey	Female	18	M 6	13.5	31.0	6.5	45.0	62	3.0	10	67
74410.W0314	Black	Female	18	M 6	13.5	31.0	6.5	45.0	62	3.0	10	67
74410.W0321	Orange	Female	18	M 8	13.5	31.0	6.5	45.0	62	3.0	10	67
74410.W0323	Grey	Female	18	M 8	13.5	31.0	6.5	45.0	62	3.0	10	67
74410.W0324	Black	Female	18	M 8	13.5	31.0	6.5	45.0	62	3.0	10	67
74410.W0411	Orange	Female	22	M 8	16.0	36.0	8.0	52.0	74	3.5	14	112
74410.W0413	Grey	Female	22	M 8	16.0	36.0	8.0	52.0	74	3.5	14	112
74410.W0414	Black	Female	22	M 8	16.0	36.0	8.0	52.0	74	3.5	14	112
74410.W0421	Orange	Female	22	M10	16.0	36.0	8.0	52.0	74	3.5	14	109
74410.W0423	Grey	Female	22	M10	16.0	36.0	8.0	52.0	74	3.5	14	109
74410.W0424	Black	Female	22	M10	16.0	36.0	8.0	52.0	74	3.5	14	109
74410.W0511	Orange	Female	25	M10	19.0	43.0	11.0	63.0	89	4.0	17	176
74410.W0513	Grey	Female	25	M10	19.0	43.0	11.0	63.0	89	4.0	17	176
74410.W0514	Black	Female	25	M10	19.0	43.0	11.0	63.0	89	4.0	17	176
74410.W0521	Orange	Female	25	M12	19.0	43.0	11.0	63.0	89	4.0	17	171
74410.W0523	Grey	Female	25	M12	19.0	43.0	11.0	63.0	89	4.0	17	171
74410.W0524	Black	Female	25	M12	19.0	43.0	11.0	63.0	89	4.0	17	171
74410.W0611	Orange	Female	30	M12	23.0	50.5	12.0	76.0	108	5.0	22	286
74410.W0613	Grey	Female	30	M12	23.0	50.5	12.0	76.0	108	5.0	22	286
74410.W0614	Black	Female	30	M12	23.0	50.5	12.0	76.0	108	5.0	22	286

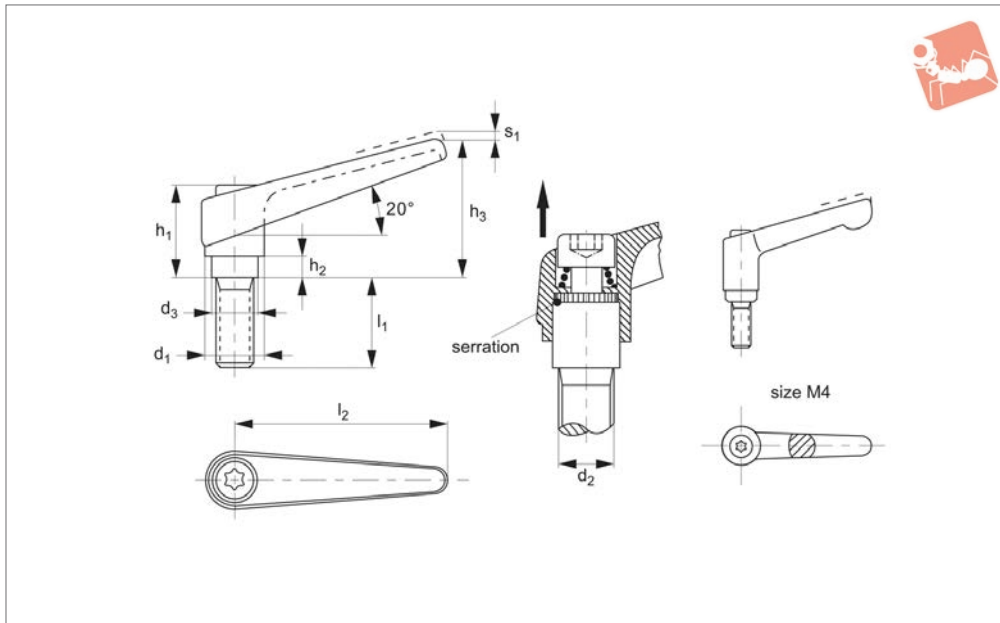


Order No.	Colour	Finish	d ₁	d ₂	d ₃	h ₁	h ₂	h ₃	l ₂	Stroke s ₁	t ≤	Weight g
74410.W0621	Orange	Female	30	M16	23.0	50.5	12.0	76.0	108	5.0	22	269
74410.W0623	Grey	Female	30	M16	23.0	50.5	12.0	76.0	108	5.0	22	269
74410.W0624	Black	Female	30	M16	23.0	50.5	12.0	76.0	108	5.0	22	269



Adjustable Clamping Levers with grub screw

Clamping Levers



74430

CLAMPING LEVERS

Material

Handle: die-cast zinc.

- Orange RAL 2004
- Black RAL 9005
- Silver RAL 9006.

Inner parts: steel, quality 5.8, blackened
Screw: steel, quality 5.8, blackened.

Technical Notes

By lifting the lever, the serrations are

disengaged. The handle can be positioned by the serrations, and the threaded insert can be exchanged. Upon releasing the handle, the serrations are automatically re-engaged. The collar screw is torx head.

Order No.	Colour	Finish	d ₁	d ₂	d ₃	h ₁	h ₂	h ₃	l ₁	l ₂	Stroke s ₁	Weight g
74430.W0010	Orange	Male thread	13	M 4	10.0	24.5	4.0	30.5	12	30	3.5	27
74430.W0012	Black	Male thread	13	M 4	10.0	24.5	4.0	30.5	12	30	3.5	27
74430.W0014	Orange	Male thread	13	M 4	10.0	24.5	4.0	30.5	16	30	3.5	27
74430.W0016	Black	Male thread	13	M 4	10.0	24.5	4.0	30.5	16	30	3.5	27
74430.W0018	Orange	Male thread	13	M 4	10.0	24.5	4.0	30.5	20	30	3.5	27
74430.W0020	Black	Male thread	13	M 4	10.0	24.5	4.0	30.5	20	30	3.5	27
74430.W0022	Orange	Male thread	13	M 4	10.0	24.5	4.0	30.5	25	30	3.5	28
74430.W0024	Black	Male thread	13	M 4	10.0	24.5	4.0	30.5	25	30	3.5	28
74430.W0026	Orange	Male thread	13	M 4	10.0	24.5	4.0	30.5	32	30	3.5	28
74430.W0028	Black	Male thread	13	M 4	10.0	24.5	4.0	30.5	32	30	3.5	28
74430.W0041	Orange	Male thread	14	M 5	10.0	24.5	4.0	35.0	12	45	3.0	36
74430.W0043	Grey	Male thread	14	M 5	10.0	24.5	4.0	35.0	12	45	3.0	36
74430.W0044	Black	Male thread	14	M 5	10.0	24.5	4.0	35.0	12	45	3.0	36
74430.W0051	Orange	Male thread	14	M 5	10.0	24.5	4.0	35.0	16	45	3.0	36
74430.W0053	Grey	Male thread	14	M 5	10.0	24.5	4.0	35.0	16	45	3.0	36
74430.W0054	Black	Male thread	14	M 5	10.0	24.5	4.0	35.0	16	45	3.0	36
74430.W0061	Orange	Male thread	14	M 5	10.0	24.5	4.0	35.0	20	45	3.0	37
74430.W0063	Grey	Male thread	14	M 5	10.0	24.5	4.0	35.0	20	45	3.0	37
74430.W0064	Black	Male thread	14	M 5	10.0	24.5	4.0	35.0	20	45	3.0	37
74430.W0071	Orange	Male thread	14	M 5	10.0	24.5	4.0	35.0	25	45	3.0	38
74430.W0073	Grey	Male thread	14	M 5	10.0	24.5	4.0	35.0	25	45	3.0	38
74430.W0074	Black	Male thread	14	M 5	10.0	24.5	4.0	35.0	25	45	3.0	38
74430.W0081	Orange	Male thread	14	M 5	10.0	24.5	4.0	35.0	32	45	3.0	38
74430.W0083	Grey	Male thread	14	M 5	10.0	24.5	4.0	35.0	32	45	3.0	38
74430.W0084	Black	Male thread	14	M 5	10.0	24.5	4.0	35.0	32	45	3.0	38
74430.W0086	Orange	Male thread	14	M 5	10.0	24.5	4.0	35.0	40	45	3.0	39
74430.W0088	Grey	Male thread	14	M 5	10.0	24.5	4.0	35.0	40	45	3.0	39
74430.W0089	Black	Male thread	14	M 5	10.0	24.5	4.0	35.0	40	45	3.0	39
74430.W0131	Orange	Male thread	14	M 6	10.0	24.5	4.0	35.0	12	45	3.0	37
74430.W0133	Grey	Male thread	14	M 6	10.0	24.5	4.0	35.0	12	45	3.0	37
74430.W0134	Black	Male thread	14	M 6	10.0	24.5	4.0	35.0	12	45	3.0	37
74430.W0141	Orange	Male thread	14	M 6	10.0	24.5	4.0	35.0	16	45	3.0	37
74430.W0143	Grey	Male thread	14	M 6	10.0	24.5	4.0	35.0	16	45	3.0	37



Order No.	Colour	Finish	d ₁	d ₂	d ₃	h ₁	h ₂	h ₃	l ₁	l ₂	Stroke s ₁	Weight g
74430.W0144	Black	Male thread	14	M 6	10.0	24.5	4.0	35.0	16	45	3.0	37
74430.W0151	Orange	Male thread	14	M 6	10.0	24.5	4.0	35.0	20	45	3.0	38
74430.W0153	Grey	Male thread	14	M 6	10.0	24.5	4.0	35.0	20	45	3.0	38
74430.W0154	Black	Male thread	14	M 6	10.0	24.5	4.0	35.0	20	45	3.0	38
74430.W0161	Orange	Male thread	14	M 6	10.0	24.5	4.0	35.0	25	45	3.0	39
74430.W0163	Grey	Male thread	14	M 6	10.0	24.5	4.0	35.0	25	45	3.0	39
74430.W0164	Black	Male thread	14	M 6	10.0	24.5	4.0	35.0	25	45	3.0	39
74430.W0171	Orange	Male thread	14	M 6	10.0	24.5	4.0	35.0	32	45	3.0	40
74430.W0173	Grey	Male thread	14	M 6	10.0	24.5	4.0	35.0	32	45	3.0	40
74430.W0174	Black	Male thread	14	M 6	10.0	24.5	4.0	35.0	32	45	3.0	40
74430.W0181	Orange	Male thread	14	M 6	10.0	24.5	4.0	35.0	40	45	3.0	41
74430.W0183	Grey	Male thread	14	M 6	10.0	24.5	4.0	35.0	40	45	3.0	41
74430.W0184	Black	Male thread	14	M 6	10.0	24.5	4.0	35.0	40	45	3.0	41
74430.W0191	Orange	Male thread	14	M 6	10.0	24.5	4.0	35.0	50	45	3.0	43
74430.W0193	Grey	Male thread	14	M 6	10.0	24.5	4.0	35.0	50	45	3.0	43
74430.W0194	Black	Male thread	14	M 6	10.0	24.5	4.0	35.0	50	45	3.0	43
74430.W0221	Orange	Male thread	18	M 6	13.5	31.0	6.5	45.0	16	62	3.0	72
74430.W0223	Grey	Male thread	18	M 6	13.5	31.0	6.5	45.0	16	62	3.0	72
74430.W0224	Black	Male thread	18	M 6	13.5	31.0	6.5	45.0	16	62	3.0	72
74430.W0231	Orange	Male thread	18	M 6	13.5	31.0	6.5	45.0	20	62	3.0	72
74430.W0233	Grey	Male thread	18	M 6	13.5	31.0	6.5	45.0	20	62	3.0	72
74430.W0234	Black	Male thread	18	M 6	13.5	31.0	6.5	45.0	20	62	3.0	72
74430.W0241	Orange	Male thread	18	M 6	13.5	31.0	6.5	45.0	25	62	3.0	74
74430.W0243	Grey	Male thread	18	M 6	13.5	31.0	6.5	45.0	25	62	3.0	74
74430.W0244	Black	Male thread	18	M 6	13.5	31.0	6.5	45.0	25	62	3.0	74
74430.W0251	Orange	Male thread	18	M 6	13.5	31.0	6.5	45.0	32	62	3.0	74
74430.W0253	Grey	Male thread	18	M 6	13.5	31.0	6.5	45.0	32	62	3.0	74
74430.W0254	Black	Male thread	18	M 6	13.5	31.0	6.5	45.0	32	62	3.0	74
74430.W0261	Orange	Male thread	18	M 6	13.5	31.0	6.5	45.0	40	62	3.0	76
74430.W0263	Grey	Male thread	18	M 6	13.5	31.0	6.5	45.0	40	62	3.0	76
74430.W0264	Black	Male thread	18	M 6	13.5	31.0	6.5	45.0	40	62	3.0	76
74430.W0271	Orange	Male thread	18	M 6	13.5	31.0	6.5	45.0	50	62	3.0	76
74430.W0273	Grey	Male thread	18	M 6	13.5	31.0	6.5	45.0	50	62	3.0	76
74430.W0274	Black	Male thread	18	M 6	13.5	31.0	6.5	45.0	50	62	3.0	76
74430.W0281	Orange	Male thread	18	M 6	13.5	31.0	6.5	45.0	63	62	3.0	80
74430.W0283	Grey	Male thread	18	M 6	13.5	31.0	6.5	45.0	63	62	3.0	80
74430.W0284	Black	Male thread	18	M 6	13.5	31.0	6.5	45.0	63	62	3.0	80
74430.W0331	Orange	Male thread	18	M 8	13.5	31.0	6.5	45.0	16	62	3.0	74
74430.W0333	Grey	Male thread	18	M 8	13.5	31.0	6.5	45.0	16	62	3.0	74
74430.W0334	Black	Male thread	18	M 8	13.5	31.0	6.5	45.0	16	62	3.0	74
74430.W0341	Orange	Male thread	18	M 8	13.5	31.0	6.5	45.0	20	62	3.0	76
74430.W0343	Grey	Male thread	18	M 8	13.5	31.0	6.5	45.0	20	62	3.0	76
74430.W0344	Black	Male thread	18	M 8	13.5	31.0	6.5	45.0	20	62	3.0	76
74430.W0351	Orange	Male thread	18	M 8	13.5	31.0	6.5	45.0	25	62	3.0	77
74430.W0353	Grey	Male thread	18	M 8	13.5	31.0	6.5	45.0	25	62	3.0	77
74430.W0354	Black	Male thread	18	M 8	13.5	31.0	6.5	45.0	25	62	3.0	77
74430.W0361	Orange	Male thread	18	M 8	13.5	31.0	6.5	45.0	32	62	3.0	79
74430.W0363	Grey	Male thread	18	M 8	13.5	31.0	6.5	45.0	32	62	3.0	79
74430.W0364	Black	Male thread	18	M 8	13.5	31.0	6.5	45.0	32	62	3.0	79
74430.W0371	Orange	Male thread	18	M 8	13.5	31.0	6.5	45.0	40	62	3.0	81
74430.W0373	Grey	Male thread	18	M 8	13.5	31.0	6.5	45.0	40	62	3.0	81
74430.W0374	Black	Male thread	18	M 8	13.5	31.0	6.5	45.0	40	62	3.0	81
74430.W0381	Orange	Male thread	18	M 8	13.5	31.0	6.5	45.0	50	62	3.0	84
74430.W0383	Grey	Male thread	18	M 8	13.5	31.0	6.5	45.0	50	62	3.0	84
74430.W0384	Black	Male thread	18	M 8	13.5	31.0	6.5	45.0	50	62	3.0	84
74430.W0391	Orange	Male thread	18	M 8	13.5	31.0	6.5	45.0	63	62	3.0	89
74430.W0393	Grey	Male thread	18	M 8	13.5	31.0	6.5	45.0	63	62	3.0	89
74430.W0394	Black	Male thread	18	M 8	13.5	31.0	6.5	45.0	63	62	3.0	89
74430.W0441	Orange	Male thread	22	M10	16.0	36.0	8.0	52.0	20	74	3.5	128
74430.W0443	Grey	Male thread	22	M10	16.0	36.0	8.0	52.0	20	74	3.5	128
74430.W0444	Black	Male thread	22	M10	16.0	36.0	8.0	52.0	20	74	3.5	128
74430.W0451	Orange	Male thread	22	M10	16.0	36.0	8.0	52.0	25	74	3.5	130
74430.W0453	Grey	Male thread	22	M10	16.0	36.0	8.0	52.0	25	74	3.5	130
74430.W0454	Black	Male thread	22	M10	16.0	36.0	8.0	52.0	25	74	3.5	130
74430.W0461	Orange	Male thread	22	M10	16.0	36.0	8.0	52.0	32	74	3.5	134
74430.W0463	Grey	Male thread	22	M10	16.0	36.0	8.0	52.0	32	74	3.5	134
74430.W0464	Black	Male thread	22	M10	16.0	36.0	8.0	52.0	32	74	3.5	134
74430.W0471	Orange	Male thread	22	M10	16.0	36.0	8.0	52.0	40	74	3.5	138



Adjustable Clamping Levers with grub screw

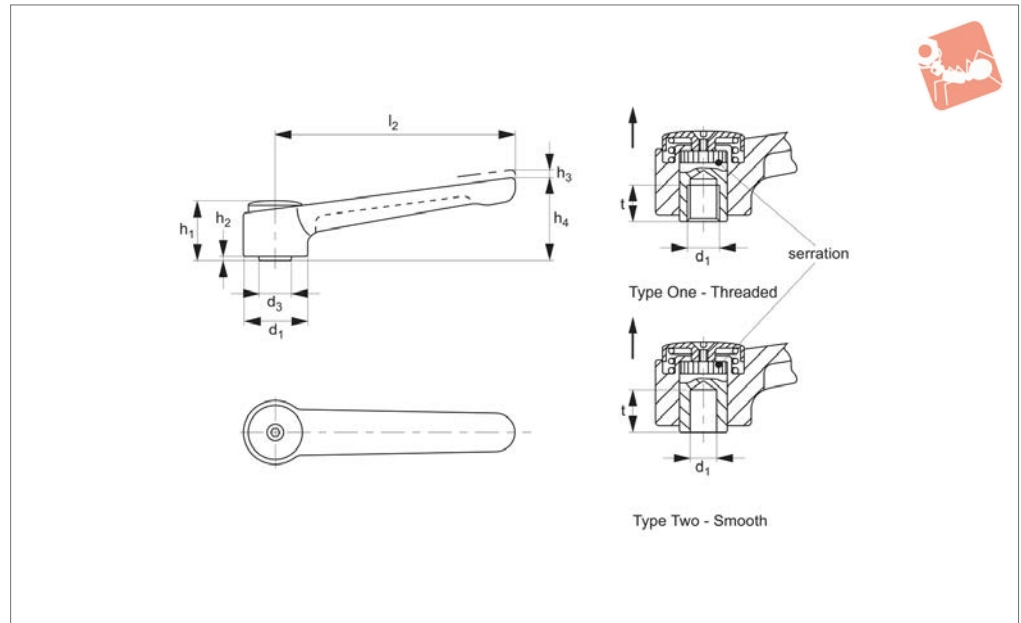
Clamping Levers



Order No.	Colour	Finish	d ₁	d ₂	d ₃	h ₁	h ₂	h ₃	l ₁	l ₂	Stroke s ₁	Weight g
74430.W0473	Grey	Male thread	22	M10	16.0	36.0	8.0	52.0	40	74	3.5	138
74430.W0474	Black	Male thread	22	M10	16.0	36.0	8.0	52.0	40	74	3.5	138
74430.W0481	Orange	Male thread	22	M10	16.0	36.0	8.0	52.0	50	74	3.5	143
74430.W0483	Grey	Male thread	22	M10	16.0	36.0	8.0	52.0	50	74	3.5	143
74430.W0484	Black	Male thread	22	M10	16.0	36.0	8.0	52.0	50	74	3.5	143
74430.W0486	Orange	Male thread	22	M10	16.0	36.0	8.0	52.0	63	74	3.5	148
74430.W0488	Grey	Male thread	22	M10	16.0	36.0	8.0	52.0	63	74	3.5	148
74430.W0489	Black	Male thread	22	M10	16.0	36.0	8.0	52.0	63	74	3.5	148
74430.W0491	Orange	Male thread	22	M10	16.0	36.0	8.0	52.0	80	74	3.5	157
74430.W0493	Grey	Male thread	22	M10	16.0	36.0	8.0	52.0	80	74	3.5	157
74430.W0494	Black	Male thread	22	M10	16.0	36.0	8.0	52.0	80	74	3.5	157
74430.W0541	Orange	Male thread	25	M12	19.0	43.0	11.0	63.0	25	89	4.0	205
74430.W0543	Grey	Male thread	25	M12	19.0	43.0	11.0	63.0	25	89	4.0	205
74430.W0544	Black	Male thread	25	M12	19.0	43.0	11.0	63.0	25	89	4.0	205
74430.W0551	Orange	Male thread	25	M12	19.0	43.0	11.0	63.0	32	89	4.0	209
74430.W0553	Grey	Male thread	25	M12	19.0	43.0	11.0	63.0	32	89	4.0	209
74430.W0554	Black	Male thread	25	M12	19.0	43.0	11.0	63.0	32	89	4.0	209
74430.W0561	Orange	Male thread	25	M12	19.0	43.0	11.0	63.0	40	89	4.0	215
74430.W0563	Grey	Male thread	25	M12	19.0	43.0	11.0	63.0	40	89	4.0	215
74430.W0564	Black	Male thread	25	M12	19.0	43.0	11.0	63.0	40	89	4.0	215
74430.W0571	Orange	Male thread	25	M12	19.0	43.0	11.0	63.0	50	89	4.0	222
74430.W0573	Grey	Male thread	25	M12	19.0	43.0	11.0	63.0	50	89	4.0	222
74430.W0574	Black	Male thread	25	M12	19.0	43.0	11.0	63.0	50	89	4.0	222
74430.W0581	Orange	Male thread	25	M12	19.0	43.0	11.0	63.0	63	89	4.0	232
74430.W0583	Grey	Male thread	25	M12	19.0	43.0	11.0	63.0	63	89	4.0	232
74430.W0584	Black	Male thread	25	M12	19.0	43.0	11.0	63.0	63	89	4.0	232
74430.W0591	Orange	Male thread	25	M12	19.0	43.0	11.0	63.0	80	89	4.0	244
74430.W0593	Grey	Male thread	25	M12	19.0	43.0	11.0	63.0	80	89	4.0	244
74430.W0594	Black	Male thread	25	M12	19.0	43.0	11.0	63.0	80	89	4.0	244
74430.W0641	Orange	Male thread	30	M16	23.0	50.5	12.0	76.0	32	108	5.0	348
74430.W0643	Grey	Male thread	30	M16	23.0	50.5	12.0	76.0	32	108	5.0	348
74430.W0644	Black	Male thread	30	M16	23.0	50.5	12.0	76.0	32	108	5.0	348
74430.W0651	Orange	Male thread	30	M16	23.0	50.5	12.0	76.0	40	108	5.0	357
74430.W0653	Grey	Male thread	30	M16	23.0	50.5	12.0	76.0	40	108	5.0	357
74430.W0654	Black	Male thread	30	M16	23.0	50.5	12.0	76.0	40	108	5.0	357
74430.W0661	Orange	Male thread	30	M16	23.0	50.5	12.0	76.0	50	108	5.0	370
74430.W0663	Grey	Male thread	30	M16	23.0	50.5	12.0	76.0	50	108	5.0	370
74430.W0664	Black	Male thread	30	M16	23.0	50.5	12.0	76.0	50	108	5.0	370
74430.W0671	Orange	Male thread	30	M16	23.0	50.5	12.0	76.0	63	108	5.0	386
74430.W0673	Grey	Male thread	30	M16	23.0	50.5	12.0	76.0	63	108	5.0	386
74430.W0674	Black	Male thread	30	M16	23.0	50.5	12.0	76.0	63	108	5.0	386
74430.W0681	Orange	Male thread	30	M16	23.0	50.5	12.0	76.0	80	108	5.0	407
74430.W0683	Grey	Male thread	30	M16	23.0	50.5	12.0	76.0	80	108	5.0	407
74430.W0684	Black	Male thread	30	M16	23.0	50.5	12.0	76.0	80	108	5.0	407



74490



Material

Lever: Zinc die-cast, plastic coated, matt
 Black - similar to RAL 9005
 Silver - similar to RAL 9006
 Inner: Steel, blackened
 Cover: Plastic.

Technical Notes

By lifting up the lever, the serrations are disengaged and the handle can then be swung to any position. On releasing the serrations are automatically re-engaged.

Available with smooth bore.

Tips

Suitable for use in restricted areas due to low height and adjustable lever.

Order No.	Type, colour	d ₁	d ₂	d ₂ tol. H7	d ₃	h ₁	h ₂	h ₃	h ₄	l ₂	t min.	Weight g
74490.W0005	One, Black	32	M 8	-	16	29.5	2	2.5	41.5	120	14	186
74490.W0010	One, Black	32	M10	-	16	29.5	2	2.5	41.5	120	14	183
74490.W0015	One, Black	32	M12	-	16	29.5	2	2.5	41.5	120	14	179
74490.W0020	One, Black	40	M12	-	23	42.0	4	4.0	56.0	145	22	313
74490.W0025	One, Black	40	M16	-	23	42.0	4	4.0	56.0	145	22	373
74490.W0105	One, Silver	32	M 8	-	16	29.5	2	2.5	41.5	120	14	186
74490.W0110	One, Silver	32	M10	-	16	29.5	2	2.5	41.5	120	14	183
74490.W0115	One, Silver	32	M12	-	16	29.5	2	2.5	41.5	120	14	179
74490.W0120	One, Silver	40	M12	-	23	42.0	4	4.0	56.0	145	22	313
74490.W0125	One, Silver	40	M16	-	23	42.0	4	4.0	56.0	145	22	373
74490.W0050	Two, Black	32	-	8	16	29.5	2	2.5	41.5	120	14	188
74490.W0051	Two, Black	32	-	10	16	29.5	2	2.5	41.5	120	14	185
74490.W0052	Two, Black	40	-	12	23	42.0	4	4.0	56.0	145	22	387
74490.W0053	Two, Black	40	-	16	23	42.0	4	4.0	56.0	145	22	389
74490.W0150	Two, Silver	32	-	8	16	29.5	2	2.5	41.5	120	14	188
74490.W0151	Two, Silver	32	-	10	16	29.5	2	2.5	41.5	120	14	185
74490.W0152	Two, Silver	40	-	12	23	42.0	4	4.0	56.0	145	22	387
74490.W0153	Two, Silver	40	-	16	23	42.0	4	4.0	56.0	145	22	389

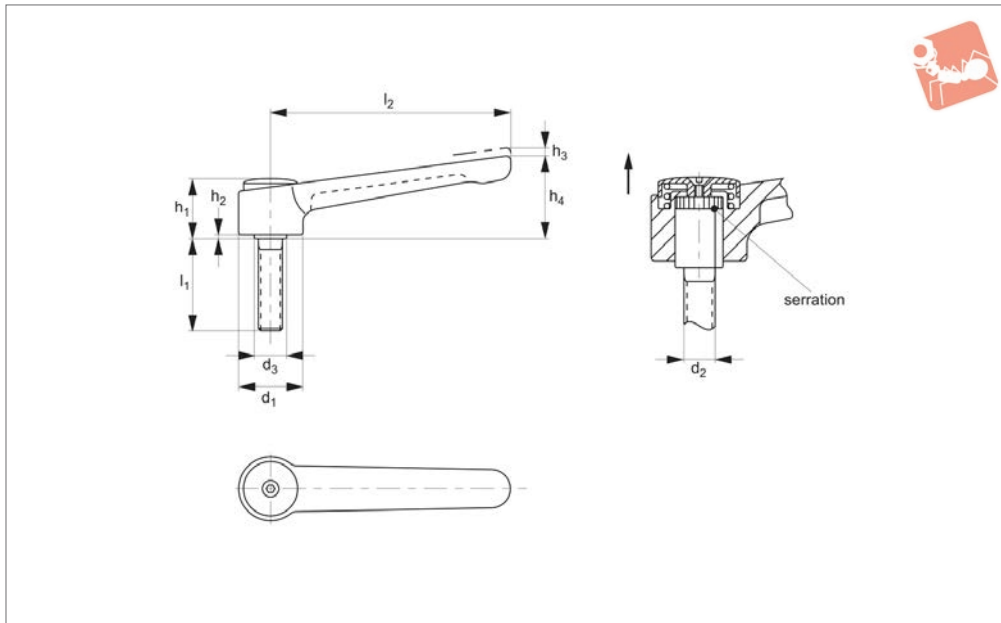


Adjustable Clamping Levers

cast zinc, inner parts steel



Clamping Levers



74494

CLAMPING LEVERS

Material

Lever: Zinc die-cast, plastic coated, matt
 Black - similar to RAL 9005
 Silver - similar to RAL 9006
 Inner: Steel, blackened
 Screw: Steel, blackened
 Cover: Plastic.

Technical Notes

By lifting up the lever, the serrations are disengaged and the handle can then be swung to any position. On releasing the serrations are automatically re-engaged.

Screw part can be changed.

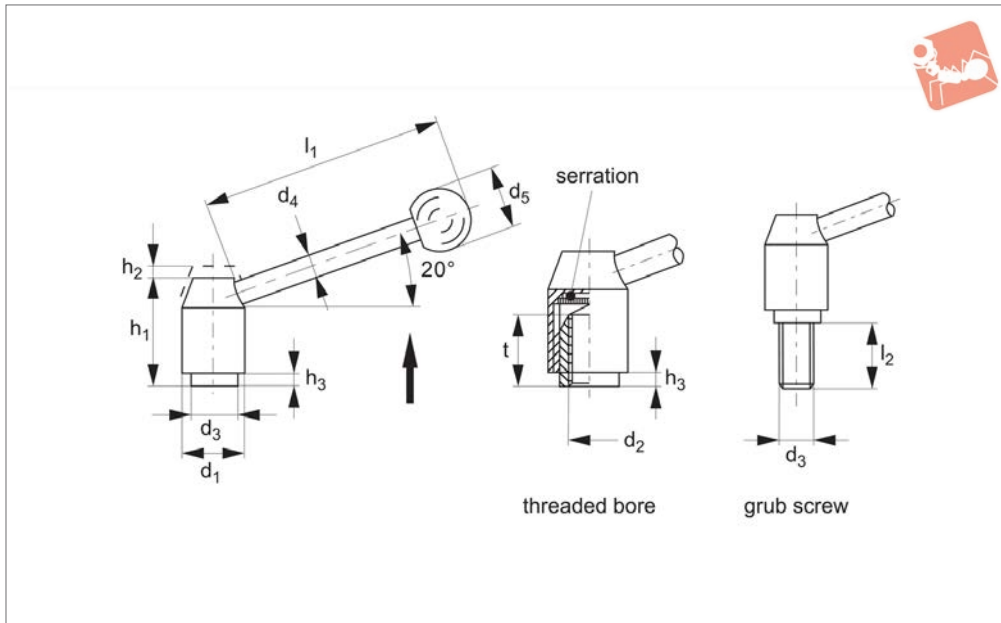
Tips

Suitable for use in restricted areas due to low height and adjustable lever.
 Screw part can be changed.

Order No.	Colour	d ₁	d ₂	d ₃	h ₁	h ₂	h ₃	h ₄	l ₁	l ₂	Weight g
74494.W0450	Black	32	M10	16	29.5	2	2.5	41.5	20	120	202
74494.W0455	Black	32	M10	16	29.5	2	2.5	41.5	25	120	204
74494.W0460	Black	32	M10	16	29.5	2	2.5	41.5	32	120	207
74494.W0465	Black	32	M10	16	29.5	2	2.5	41.5	40	120	211
74494.W0470	Black	32	M10	16	29.5	2	2.5	41.5	50	120	216
74494.W0475	Black	32	M10	16	29.5	2	2.5	41.5	63	120	222
74494.W0480	Black	32	M10	16	29.5	2	2.5	41.5	80	120	231
74494.W0485	Black	32	M12	16	29.5	2	2.5	41.5	20	120	206
74494.W0490	Black	32	M12	16	29.5	2	2.5	41.5	25	120	210
74494.W0495	Black	32	M12	16	29.5	2	2.5	41.5	32	120	215
74494.W0500	Black	32	M12	16	29.5	2	2.5	41.5	40	120	221
74494.W0505	Black	32	M12	16	29.5	2	2.5	41.5	50	120	228
74494.W0510	Black	32	M12	16	29.5	2	2.5	41.5	63	120	236
74494.W0515	Black	32	M12	16	29.5	2	2.5	41.5	80	120	248
74494.W0525	Black	40	M12	23	42.0	4	4.0	56.0	32	145	434
74494.W0530	Black	40	M12	23	42.0	4	4.0	56.0	40	145	440
74494.W0535	Black	40	M12	23	42.0	4	4.0	56.0	50	145	447
74494.W0540	Black	40	M12	23	42.0	4	4.0	56.0	63	145	455
74494.W0545	Black	40	M12	23	42.0	4	4.0	56.0	80	145	467
74494.W0550	Black	40	M16	23	42.0	4	4.0	56.0	32	145	449
74494.W0555	Black	40	M16	23	42.0	4	4.0	56.0	40	145	460
74494.W0560	Black	40	M16	23	42.0	4	4.0	56.0	50	145	472
74494.W0565	Black	40	M16	23	42.0	4	4.0	56.0	63	145	491
74494.W0570	Black	40	M16	23	42.0	4	4.0	56.0	80	145	513
74494.W0850	Silver	32	M10	16	29.5	2	2.5	41.5	20	120	202
74494.W0855	Silver	32	M10	16	29.5	2	2.5	41.5	25	120	204
74494.W0860	Silver	32	M10	16	29.5	2	2.5	41.5	32	120	207
74494.W0865	Silver	32	M10	16	29.5	2	2.5	41.5	40	120	211
74494.W0870	Silver	32	M10	16	29.5	2	2.5	41.5	50	120	216
74494.W0875	Silver	32	M10	16	29.5	2	2.5	41.5	63	120	222
74494.W0880	Silver	32	M10	16	29.5	2	2.5	41.5	80	120	231



Order No.	Colour	d ₁	d ₂	d ₃	h ₁	h ₂	h ₃	h ₄	l ₁	l ₂	Weight g
74494.W0885	Silver	32	M12	16	29.5	2	2.5	41.5	20	120	206
74494.W0890	Silver	32	M12	16	29.5	2	2.5	41.5	25	120	210
74494.W0895	Silver	32	M12	16	29.5	2	2.5	41.5	32	120	215
74494.W0900	Silver	32	M12	16	29.5	2	2.5	41.5	40	120	221
74494.W0905	Silver	32	M12	16	29.5	2	2.5	41.5	50	120	228
74494.W0910	Silver	32	M12	16	29.5	2	2.5	41.5	63	120	236
74494.W0915	Silver	32	M12	16	29.5	2	2.5	41.5	80	120	248
74494.W0925	Silver	40	M12	23	42.0	4	4.0	56.0	32	145	434
74494.W0930	Silver	40	M12	23	42.0	4	4.0	56.0	40	145	440
74494.W0935	Silver	40	M12	23	42.0	4	4.0	56.0	50	145	447
74494.W0940	Silver	40	M12	23	42.0	4	4.0	56.0	63	145	455
74494.W0945	Silver	40	M12	23	42.0	4	4.0	56.0	80	145	467
74494.W0950	Silver	40	M16	23	42.0	4	4.0	56.0	32	145	449
74494.W0955	Silver	40	M16	23	42.0	4	4.0	56.0	40	145	460
74494.W0960	Silver	40	M16	23	42.0	4	4.0	56.0	50	145	472
74494.W0965	Silver	40	M16	23	42.0	4	4.0	56.0	63	145	491
74494.W0970	Silver	40	M16	23	42.0	4	4.0	56.0	80	145	513



74500

CLAMPING LEVERS

Material

Lever: free cutting steel, blackened.
Screw & inner parts: steel, quality 5.8, blackened.

Ball knob: DIN 319 plastic. (PF 31), black.

Technical Notes

By lifting up the lever, the serrations are

disengaged and the handle can then be swung to any position. On releasing the serrations are automatically re-engaged.

Order No.	Finish	d ₁	d ₂	d ₃	d ₄	d ₅	h ₁	h ₂	h ₃	l ₁ ≈	l ₂	t min.	Weight g
74500.W0101	Threaded Bore	21	M 6	13.5	8	20	33.5	4.0	1.0	70	-	11	91
74500.W0102	Threaded Bore	21	M 8	13.5	8	20	33.5	4.0	1.0	70	-	11	89
74500.W0201	Threaded Bore	24	M 8	16.0	10	25	40.0	4.5	2.5	96	-	14	159
74500.W0202	Threaded Bore	24	M10	16.0	10	25	40.0	4.5	2.5	96	-	14	153
74500.W0301	Threaded Bore	28	M10	19.0	12	30	48.5	4.5	4.5	110	-	17	255
74500.W0302	Threaded Bore	28	M12	19.0	12	30	48.5	4.5	4.5	110	-	17	248
74500.W0401	Threaded Bore	33	M12	23.0	12	32	55.0	5.5	6.0	124	-	23	361
74500.W0402	Threaded Bore	33	M16	23.0	12	32	55.0	5.5	6.0	124	-	23	347
74500.W0501	Threaded Bore	40	M16	30.0	14	35	68.0	5.5	6.0	138	-	36	622
74500.W0502	Threaded Bore	40	M20	30.0	14	35	68.0	5.5	6.0	138	-	36	599
74500.W0120	Grub Screw	21	M 8	13.5	8	20	33.5	4.0	1.0	70	12	-	98
74500.W0122	Grub Screw	21	M 8	13.5	8	20	33.5	4.0	1.0	70	16	-	99
74500.W0124	Grub Screw	21	M 8	13.5	8	20	33.5	4.0	1.0	70	20	-	103
74500.W0126	Grub Screw	21	M 8	13.5	8	20	33.5	4.0	1.0	70	25	-	102
74500.W0128	Grub Screw	21	M 8	13.5	8	20	33.5	4.0	1.0	70	32	-	105
74500.W0130	Grub Screw	21	M 8	13.5	8	20	33.5	4.0	1.0	70	40	-	112
74500.W0132	Grub Screw	21	M 8	13.5	8	20	33.5	4.0	1.0	70	50	-	109
74500.W0134	Grub Screw	21	M 8	13.5	8	20	33.5	4.0	1.0	70	63	-	114
74500.W0220	Grub Screw	24	M10	16.0	10	25	40.0	4.5	2.5	96	16	-	172
74500.W0222	Grub Screw	24	M10	16.0	10	25	40.0	4.5	2.5	96	20	-	173
74500.W0224	Grub Screw	24	M10	16.0	10	25	40.0	4.5	2.5	96	25	-	174
74500.W0226	Grub Screw	24	M10	16.0	10	25	40.0	4.5	2.5	96	32	-	177
74500.W0228	Grub Screw	24	M10	16.0	10	25	40.0	4.5	2.5	96	40	-	184
74500.W0230	Grub Screw	24	M10	16.0	10	25	40.0	4.5	2.5	96	50	-	185
74500.W0232	Grub Screw	24	M10	16.0	10	25	40.0	4.5	2.5	96	63	-	195
74500.W0234	Grub Screw	24	M10	16.0	10	25	40.0	4.5	2.5	96	80	-	205
74500.W0318	Grub Screw	28	M12	19.0	12	30	48.5	4.5	4.5	110	16	-	277
74500.W0320	Grub Screw	28	M12	19.0	12	30	48.5	4.5	4.5	110	20	-	282
74500.W0322	Grub Screw	28	M12	19.0	12	30	48.5	4.5	4.5	110	25	-	283
74500.W0324	Grub Screw	28	M12	19.0	12	30	48.5	4.5	4.5	110	32	-	287
74500.W0326	Grub Screw	28	M12	19.0	12	30	48.5	4.5	4.5	110	40	-	298
74500.W0328	Grub Screw	28	M12	19.0	12	30	48.5	4.5	4.5	110	50	-	302
74500.W0330	Grub Screw	28	M12	19.0	12	30	48.5	4.5	4.5	110	63	-	312
74500.W0332	Grub Screw	28	M12	19.0	12	30	48.5	4.5	4.5	110	80	-	320



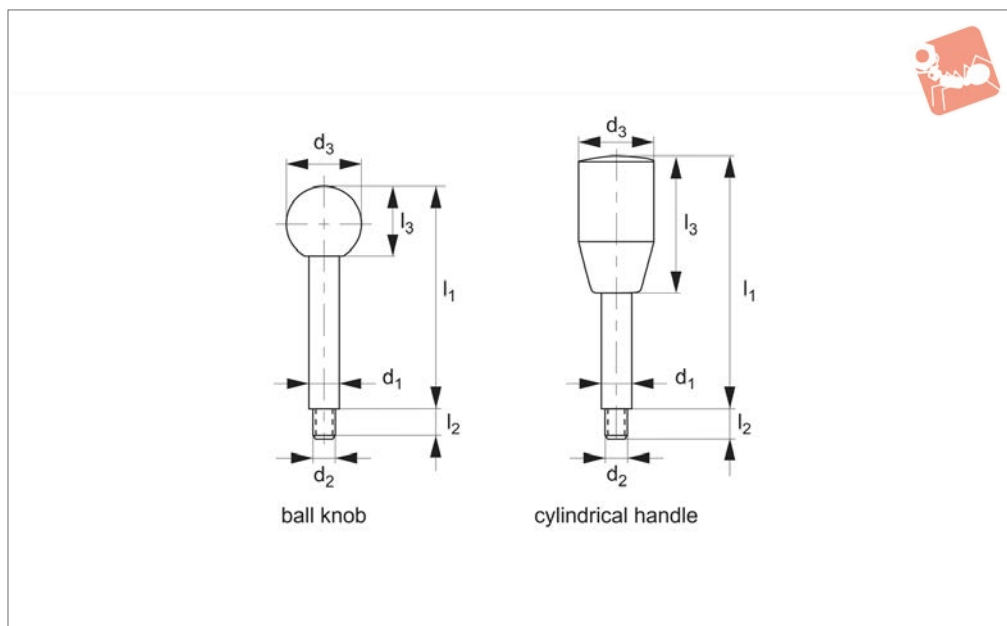
Order No.	Finish	d ₁	d ₂	d ₃	d ₄	d ₅	h ₁	h ₂	h ₃	l ₁ ≈	l ₂	t min.	Weight g
74500.W0422	Grub Screw	33	M16	23.0	12	32	55.0	5.5	6.0	124	32	-	422
74500.W0424	Grub Screw	33	M16	23.0	12	32	55.0	5.5	6.0	124	40	-	439
74500.W0426	Grub Screw	33	M16	23.0	12	32	55.0	5.5	6.0	124	50	-	446
74500.W0428	Grub Screw	33	M16	23.0	12	32	55.0	5.5	6.0	124	63	-	461
74500.W0430	Grub Screw	33	M16	23.0	12	32	55.0	5.5	6.0	124	80	-	486
74500.W0520	Grub Screw	40	M20	30.0	14	35	68.0	5.5	6.0	138	40	-	772
74500.W0522	Grub Screw	40	M20	30.0	14	35	68.0	5.5	6.0	138	50	-	792
74500.W0524	Grub Screw	40	M20	30.0	14	35	68.0	5.5	6.0	138	63	-	826
74500.W0526	Grub Screw	40	M20	30.0	14	35	68.0	5.5	6.0	138	80	-	859



Gear Lever Handles

steel or stainless steel

Clamping Levers



74600

CLAMPING LEVERS

Material

Shafts: steel, galvanized, passivated or stainless steel 1.4305 (AISI 303) - matt

finish.

Temperature range 110°C.
Knobs: plastic, duroplast PF 31.

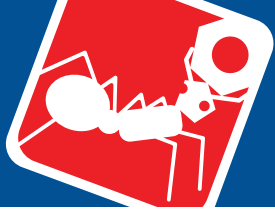
Technical Notes

Temperature range up to 110°C

Order No.	Type	d ₁	d ₂	d ₃	l ₁	l ₂	l ₃	Weight g
74600.W0020	Steel Shaft - Ball	8	M 6	20	63	9	18.0	30
74600.W0022	Steel Shaft - Ball	8	M 6	20	100	9	18.0	39
74600.W0025	Steel Shaft - Ball	10	M 8	25	80	11	22.5	50
74600.W0026	Steel Shaft - Ball	10	M 8	25	100	11	22.5	62
74600.W0027	Steel Shaft - Ball	10	M 8	25	125	11	22.5	76
74600.W0032	Steel Shaft - Ball	12	M10	32	100	14	29.0	96
74600.W0033	Steel Shaft - Ball	12	M10	32	125	14	29.0	118
74600.W0034	Steel Shaft - Ball	12	M10	32	160	14	29.0	146
74600.W0035	Steel Shaft - Ball	14	M12	35	125	16	32.5	157
74600.W0036	Steel Shaft - Ball	14	M12	35	160	16	32.5	203
74600.W0037	Steel Shaft - Ball	14	M12	35	200	16	32.5	251
74600.W0040	Steel Shaft - Ball	16	M14	40	160	18	37.0	310
74600.W0041	Steel Shaft - Ball	16	M14	40	200	18	37.0	326
74600.W0042	Steel Shaft - Ball	16	M14	40	250	18	37.0	397
74600.W0520	Stainless Shaft - Ball	8	M 6	20	63	9	18.0	30
74600.W0522	Stainless Shaft - Ball	8	M 6	20	100	9	18.0	44
74600.W0525	Stainless Shaft - Ball	10	M 8	25	80	11	22.5	55
74600.W0526	Stainless Shaft - Ball	10	M 8	25	100	11	22.5	63
74600.W0527	Stainless Shaft - Ball	10	M 8	25	125	11	22.5	78
74600.W0530	Stainless Shaft - Ball	12	M10	32	100	14	29.0	97
74600.W0531	Stainless Shaft - Ball	12	M10	32	125	14	29.0	120
74600.W0532	Stainless Shaft - Ball	12	M10	32	160	14	29.0	154
74600.W0535	Stainless Shaft - Ball	14	M12	35	125	16	32.5	159
74600.W0536	Stainless Shaft - Ball	14	M12	35	160	16	32.5	202
74600.W0537	Stainless Shaft - Ball	14	M12	35	200	16	32.5	250
74600.W0120	Steel Shaft - Taper	8	M 6	18	63	9	40.0	26
74600.W0122	Steel Shaft - Taper	8	M 6	18	100	9	40.0	42
74600.W0125	Steel Shaft - Taper	10	M 8	21	80	11	50.0	50
74600.W0126	Steel Shaft - Taper	10	M 8	21	100	11	50.0	62
74600.W0127	Steel Shaft - Taper	10	M 8	21	125	11	50.0	78
74600.W0130	Steel Shaft - Taper	12	M10	23	100	14	65.0	81
74600.W0131	Steel Shaft - Taper	12	M10	23	125	14	65.0	103
74600.W0132	Steel Shaft - Taper	12	M10	23	160	14	65.0	133
74600.W0135	Steel Shaft - Taper	14	M12	26	125	16	80.0	125



Order No.	Type	d ₁	d ₂	d ₃	l ₁	l ₂	l ₃	Weight g
74600.W0136	Steel Shaft - Taper	14	M12	26	160	16	80.0	168
74600.W0137	Steel Shaft - Taper	14	M12	26	200	16	80.0	216
74600.W0140	Steel Shaft - Taper	16	M14	28	160	18	90.0	214
74600.W0141	Steel Shaft - Taper	16	M14	28	200	18	90.0	273
74600.W0142	Steel Shaft - Taper	16	M14	28	250	18	90.0	352
74600.W0620	Stainless Shaft - Taper	8	M 6	18	63	9	40.0	27
74600.W0622	Stainless Shaft - Taper	8	M 6	18	80	9	40.0	33
74600.W0624	Stainless Shaft - Taper	8	M 6	18	100	9	40.0	41
74600.W0630	Stainless Shaft - Taper	10	M 8	21	80	11	50.0	50
74600.W0632	Stainless Shaft - Taper	10	M 8	21	100	11	50.0	62
74600.W0634	Stainless Shaft - Taper	10	M 8	21	125	11	50.0	78
74600.W0640	Stainless Shaft - Taper	12	M10	23	100	14	65.0	81
74600.W0642	Stainless Shaft - Taper	12	M10	23	125	14	65.0	103
74600.W0644	Stainless Shaft - Taper	12	M10	23	160	14	65.0	133
74600.W0650	Stainless Shaft - Taper	14	M12	26	125	16	80.0	125
74600.W0652	Stainless Shaft - Taper	14	M12	26	160	16	80.0	168
74600.W0654	Stainless Shaft - Taper	14	M12	26	200	16	80.0	216

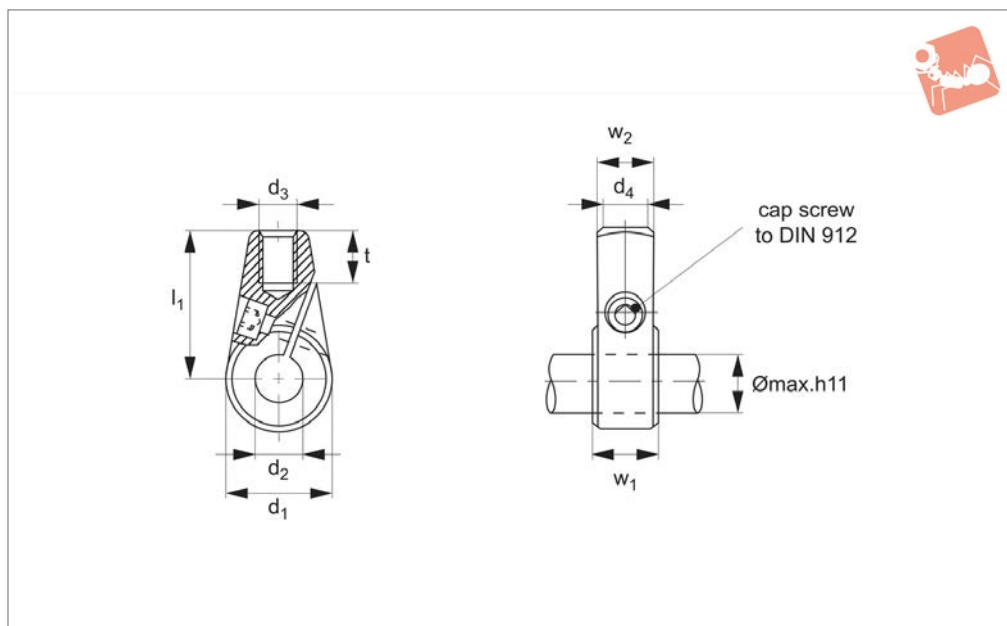


Split Hubs

for gear lever handles no.74600



Clamping Levers



74700

CLAMPING LEVERS

Material

Sintered steel.

machining. Eliminates clamping parts and assembly work.

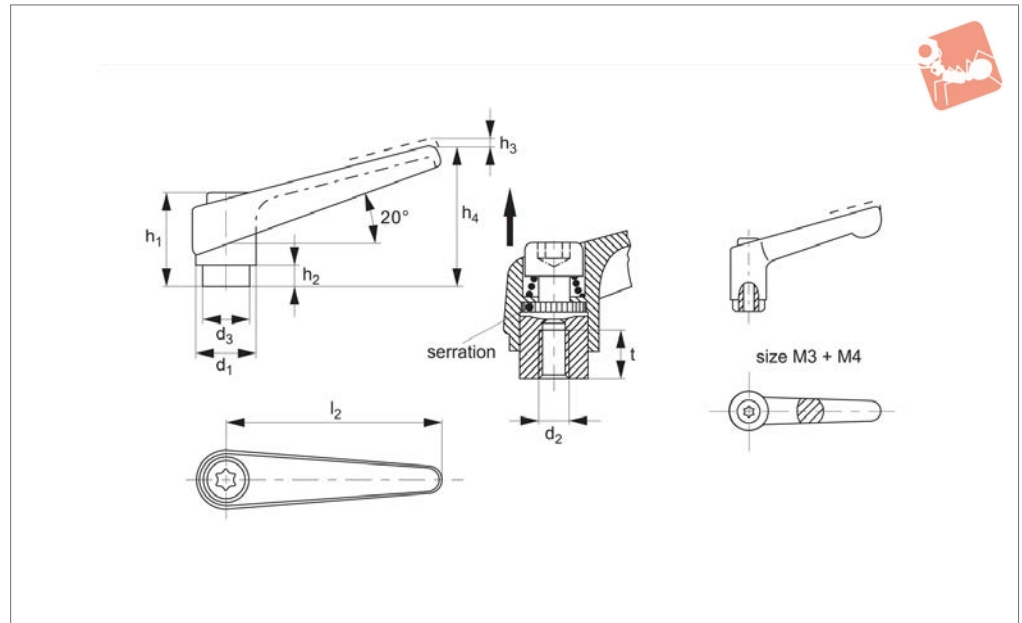
Technical Notes

Ideal for mounting on shafts without prior

Order No.	d ₁	d ₂	Weight g	w ₁ ±0.2	w ₂	d ₃	d ₄	l ₁	t min.	Weight g
74700.W0024	24	10	64	15.5	13	M 8	10	36	11	64
74700.W0025	24	12	64	15.5	13	M 8	10	36	11	64
74700.W0029	28	14	94	17.5	15	M10	12	41	14	94
74700.W0033	32	16	137	19.5	17	M12	14	45	16	137



74440



Material

Handle: die-cast zinc,

- Orange RAL 2004

- Black RAL 9005

Inner parts: stainless steel 1,4305 (AISI 303).

Threaded part: stainless steel 1.4305.

(AISI 303).

Technical Notes

By lifting the lever, the serrations are disengaged. The handle can be positioned by the serrations, and the threaded insert can be exchanged. Upon releasing the

handle, the serrations are automatically re-engaged. The collar screw is torx head.

Tips

Suitable for medical and chemical industry applications.

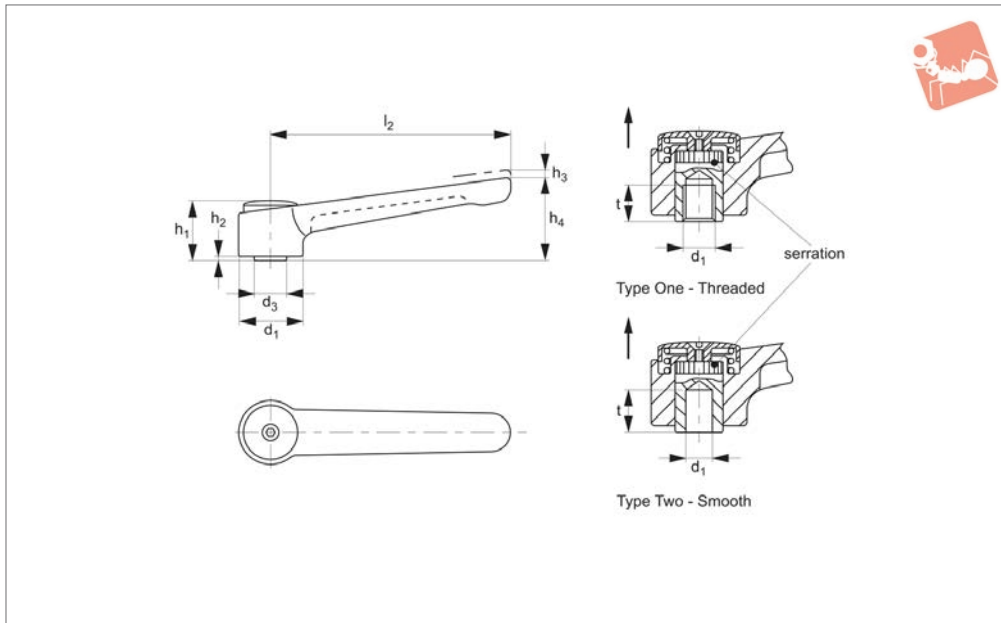
Order No.	Colour	d ₁	d ₂	d ₃	h ₁	h ₂	h ₃	h ₄	l ₂	t ≤	Weight g
74440.W0032	Orange	13	M 3	10.0	24.5	4.0	3.5	30.5	30	7	25
74440.W0036	Orange	13	M 4	10.0	24.5	4.0	3.5	30.5	30	9	25
74440.W0111	Orange	14	M 5	10.0	24.5	4.0	3.0	35.0	45	8	33
74440.W0121	Orange	14	M 6	10.0	24.5	4.0	3.0	35.0	45	8	33
74440.W0321	Orange	18	M 8	13.5	31.0	6.5	3.0	45.0	62	10	67
74440.W0411	Orange	22	M 8	16.0	36.0	8.0	3.5	52.0	74	14	112
74440.W0421	Orange	22	M10	16.0	36.0	8.0	3.5	52.0	74	14	109
74440.W0511	Orange	25	M10	19.0	43.0	11.0	4.0	63.0	89	17	175
74440.W0521	Orange	25	M12	19.0	43.0	11.0	4.0	63.0	89	17	171
74440.W0611	Orange	30	M12	23.0	50.5	12.0	5.0	76.0	108	22	286
74440.W0621	Orange	30	M16	23.0	50.5	12.0	5.0	76.0	108	22	269
74440.W0034	Black	13	M 3	10.0	24.5	4.0	3.5	30.5	30	7	25
74440.W0038	Black	13	M 4	10.0	24.5	4.0	3.5	30.5	30	9	25
74440.W0114	Black	14	M 5	10.0	24.5	4.0	3.0	35.0	45	8	33
74440.W0124	Black	14	M 6	10.0	24.5	4.0	3.0	35.0	45	8	33
74440.W0324	Black	18	M 8	13.5	31.0	6.5	3.0	45.0	62	10	67
74440.W0414	Black	22	M 8	16.0	36.0	8.0	3.5	52.0	74	14	112
74440.W0424	Black	22	M10	16.0	36.0	8.0	3.5	52.0	74	14	109
74440.W0514	Black	25	M10	19.0	43.0	11.0	4.0	63.0	89	17	175
74440.W0524	Black	25	M12	19.0	43.0	11.0	4.0	63.0	89	17	171
74440.W0614	Black	30	M12	23.0	50.5	12.0	5.0	76.0	108	22	286
74440.W0624	Black	30	M16	23.0	50.5	12.0	5.0	76.0	108	22	269



Adjustable Clamping Levers

cast zinc, Inner parts **stainless steel**

Clamping Levers



74492

CLAMPING LEVERS

Material

Lever: Zinc die-cast, plastic coated, matt
 Black - similar to RAL 9005
 Silver - similar to RAL 9006
 Inner: Stainless steel
 Cover: Plastic.

Technical Notes

By lifting up the lever, the serrations are disengaged and the handle can then be swung to any position. On releasing the serrations are automatically re-engaged.

Available with smooth bore.

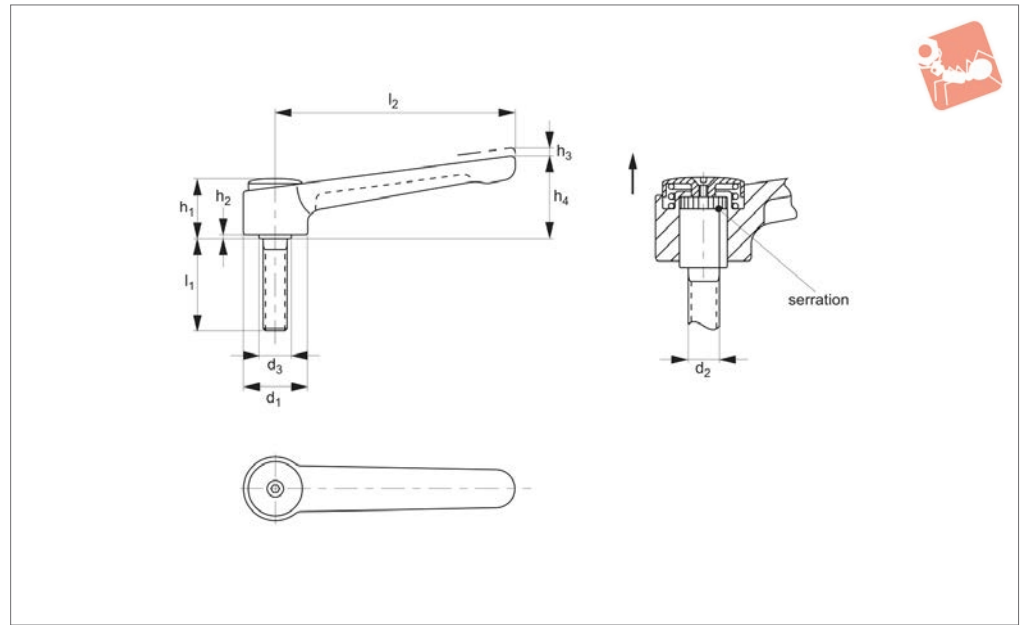
Tips

Suitable for use in restricted areas due to low height and adjustable lever.

Order No.	Type	d ₁	d ₂ tol. H7	d ₂	d ₃	h ₁	h ₂	h ₃	h ₄	l ₂	t min.	Weight g
74492.W0205	One, Black	32	16	M 8	16	29.5	2	2.5	41.5	120	14	187
74492.W0210	One, Black	32	16	M10	16	29.5	2	2.5	41.5	120	14	187
74492.W0215	One, Black	32	16	M12	16	29.5	2	2.5	41.5	120	14	187
74492.W0220	One, Black	40	23	M12	23	42.0	4	4.0	56.0	145	22	390
74492.W0225	One, Black	40	23	M16	23	42.0	4	4.0	56.0	145	22	373
74492.W0305	One, Silver	32	16	M 8	16	29.5	2	2.5	41.5	120	14	187
74492.W0310	One, Silver	32	16	M10	16	29.5	2	2.5	41.5	120	14	187
74492.W0315	One, Silver	32	16	M12	16	29.5	2	2.5	41.5	120	14	187
74492.W0320	One, Silver	40	23	M12	23	42.0	4	4.0	56.0	145	22	390
74492.W0325	One, Silver	40	23	M16	23	42.0	4	4.0	56.0	145	22	373
74492.W0250	Two, Black	32	8	-	16	29.5	2	2.5	41.5	120	14	185
74492.W0255	Two, Black	32	10	-	16	29.5	2	2.5	41.5	120	14	187
74492.W0260	Two, Black	40	12	-	23	42.0	4	4.0	56.0	145	22	390
74492.W0265	Two, Black	40	16	-	23	42.0	4	4.0	56.0	145	22	367
74492.W0350	Two, Silver	32	8	-	16	29.5	2	2.5	41.5	120	14	185
74492.W0355	Two, Silver	32	10	-	16	29.5	2	2.5	41.5	120	14	187
74492.W0360	Two, Silver	40	12	-	23	42.0	4	4.0	56.0	145	22	390
74492.W0365	Two, Silver	40	16	-	23	42.0	4	4.0	56.0	145	22	367



74496



Material

Lever: Zinc die-cast, plastic coated, matt
 Black - similar to RAL 9005
 Silver - similar to RAL 9006
 Inner: Stainless steel 1.4305
 Screw: Stainless steel 1.4305
 Cover: Plastic.

Technical Notes

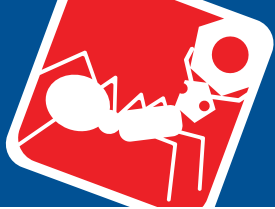
By lifting up the lever, the serrations are disengaged and the handle can then be swung to any position. On releasing the serrations are automatically re-engaged.

Screw part can be changed.

Tips

Suitable for use in restricted areas due to low height and adjustable lever.

Order No.	Colour	l_1	d_1	d_2	d_3	h_1	h_2	h_3	h_4	l_2	Weight g
74496.W0650	Black	20	32	M10	16	29.5	2	2.5	41.5	120	202
74496.W0655	Black	25	32	M10	16	29.5	2	2.5	41.5	120	204
74496.W0660	Black	32	32	M10	16	29.5	2	2.5	41.5	120	207
74496.W0665	Black	40	32	M10	16	29.5	2	2.5	41.5	120	212
74496.W0670	Black	50	32	M10	16	29.5	2	2.5	41.5	120	217
74496.W0680	Black	80	32	M10	16	29.5	2	2.5	41.5	120	231
74496.W0685	Black	20	32	M12	16	29.5	2	2.5	41.5	120	206
74496.W0690	Black	25	32	M12	16	29.5	2	2.5	41.5	120	210
74496.W0695	Black	32	32	M12	16	29.5	2	2.5	41.5	120	215
74496.W0700	Black	40	32	M12	16	29.5	2	2.5	41.5	120	221
74496.W0705	Black	50	32	M12	16	29.5	2	2.5	41.5	120	228
74496.W0710	Black	63	32	M12	16	29.5	2	2.5	41.5	120	237
74496.W0715	Black	80	32	M12	16	29.5	2	2.5	41.5	120	249
74496.W0725	Black	32	40	M12	23	42.0	4	4.0	56.0	145	432
74496.W0730	Black	40	40	M12	23	42.0	4	4.0	56.0	145	440
74496.W0735	Black	50	40	M12	23	42.0	4	4.0	56.0	145	447
74496.W0740	Black	63	40	M12	23	42.0	4	4.0	56.0	145	455
74496.W0745	Black	80	40	M12	23	42.0	4	4.0	56.0	145	445
74496.W0750	Black	32	40	M16	23	42.0	4	4.0	56.0	145	449
74496.W0755	Black	40	40	M16	23	42.0	4	4.0	56.0	145	460
74496.W0760	Black	50	40	M16	23	42.0	4	4.0	56.0	145	472
74496.W0765	Black	63	40	M16	23	42.0	4	4.0	56.0	145	491
74496.W0770	Black	80	40	M16	23	42.0	4	4.0	56.0	145	513
74496.W1650	Silver	20	32	M10	16	29.5	2	2.5	41.5	120	202
74496.W1655	Silver	25	32	M10	16	29.5	2	2.5	41.5	120	204
74496.W1660	Silver	32	32	M10	16	29.5	2	2.5	41.5	120	207
74496.W1665	Silver	40	32	M10	16	29.5	2	2.5	41.5	120	212
74496.W1670	Silver	50	32	M10	16	29.5	2	2.5	41.5	120	217
74496.W1680	Silver	80	32	M10	16	29.5	2	2.5	41.5	120	231
74496.W1685	Silver	20	32	M12	16	29.5	2	2.5	41.5	120	206
74496.W1690	Silver	25	32	M12	16	29.5	2	2.5	41.5	120	210



Adjustable Clamping Levers

cast zinc, inner parts stainless steel

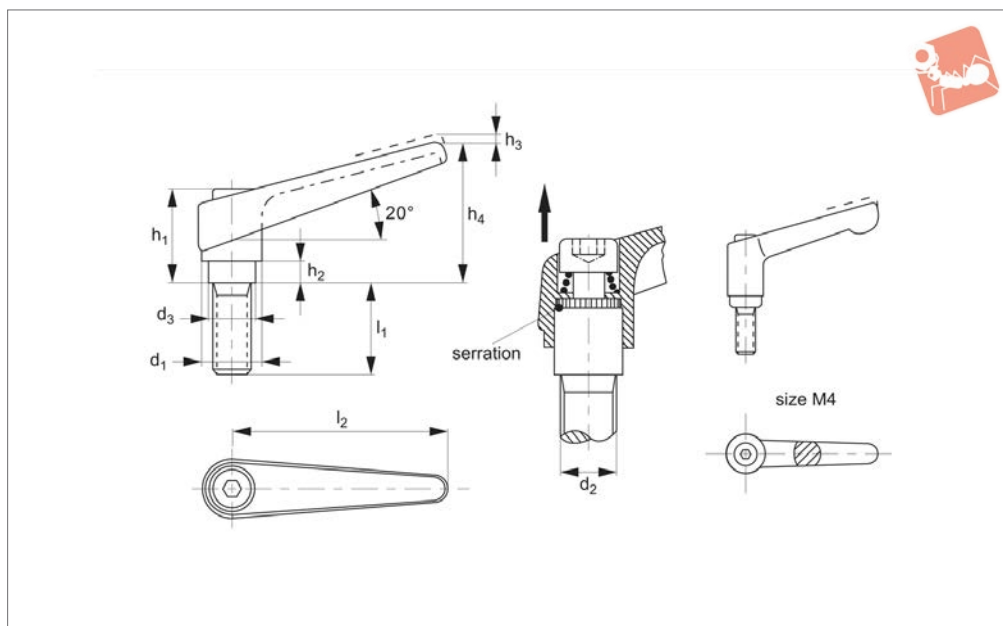
Clamping Levers



Order No.	Colour	l_1	d_1	d_2	d_3	h_1	h_2	h_3	h_4	l_2	Weight g
74496.W1695	Silver	32	32	M12	16	29.5	2	2.5	41.5	120	215
74496.W1700	Silver	40	32	M12	16	29.5	2	2.5	41.5	120	221
74496.W1705	Silver	50	32	M12	16	29.5	2	2.5	41.5	120	228
74496.W1710	Silver	63	32	M12	16	29.5	2	2.5	41.5	120	237
74496.W1715	Silver	80	32	M12	16	29.5	2	2.5	41.5	120	249
74496.W1725	Silver	32	40	M12	23	42.0	4	4.0	56.0	145	432
74496.W1730	Silver	40	40	M12	23	42.0	4	4.0	56.0	145	440
74496.W1735	Silver	50	40	M12	23	42.0	4	4.0	56.0	145	447
74496.W1740	Silver	63	40	M12	23	42.0	4	4.0	56.0	145	455
74496.W1745	Silver	80	40	M12	23	42.0	4	4.0	56.0	145	445
74496.W1750	Silver	32	40	M16	23	42.0	4	4.0	56.0	145	449
74496.W1755	Silver	40	40	M16	23	42.0	4	4.0	56.0	145	460
74496.W1760	Silver	50	40	M16	23	42.0	4	4.0	56.0	145	472
74496.W1765	Silver	63	40	M16	23	42.0	4	4.0	56.0	145	491
74496.W1770	Silver	80	40	M16	23	42.0	4	4.0	56.0	145	513



74460



Material

Handle: die-cast zinc,
 - Orange RAL 2004
 - Black RAL 9005.
 Inner parts: stainless steel 1.4305 (AISI 303).
 Screw: stainless steel 1.4305. (AISI 303).

Technical Notes

By lifting the lever, the serrations are disengaged. The handle can be positioned by the serrations, and the threaded insert can be exchanged. Upon releasing the handle, the serrations are automatically re-engaged.

Tips

Suitable for medical and chemical industry applications.

Order No.	Colour	l_1	d_1	d_2	d_3	h_1	h_2	h_3	h_4	l_2	Weight g
74460.W0010	Orange	12	13	M 4	10.0	24.5	4.0	3.5	30.5	30	27
74460.W0012	Black	12	13	M 4	10.0	24.5	4.0	3.5	30.5	30	27
74460.W0014	Orange	16	13	M 4	10.0	24.5	4.0	3.5	30.5	30	27
74460.W0016	Black	16	13	M 4	10.0	24.5	4.0	3.5	30.5	30	27
74460.W0018	Orange	20	13	M 4	10.0	24.5	4.0	3.5	30.5	30	27
74460.W0020	Black	20	13	M 4	10.0	24.5	4.0	3.5	30.5	30	27
74460.W0022	Orange	25	13	M 4	10.0	24.5	4.0	3.5	30.5	30	28
74460.W0024	Black	25	13	M 4	10.0	24.5	4.0	3.5	30.5	30	28
74460.W0026	Orange	32	13	M 4	10.0	24.5	4.0	3.5	30.5	30	28
74460.W0028	Black	32	13	M 4	10.0	24.5	4.0	3.5	30.5	30	28
74460.W0041	Orange	12	14	M 5	10.0	24.5	4.0	3.0	35.0	45	36
74460.W0044	Black	12	14	M 5	10.0	24.5	4.0	3.0	35.0	45	36
74460.W0051	Orange	16	14	M 5	10.0	24.5	4.0	3.0	35.0	45	36
74460.W0054	Black	16	14	M 5	10.0	24.5	4.0	3.0	35.0	45	36
74460.W0061	Orange	20	14	M 5	10.0	24.5	4.0	3.0	35.0	45	37
74460.W0064	Black	20	14	M 5	10.0	24.5	4.0	3.0	35.0	45	37
74460.W0071	Orange	25	14	M 5	10.0	24.5	4.0	3.0	35.0	45	38
74460.W0074	Black	25	14	M 5	10.0	24.5	4.0	3.0	35.0	45	38
74460.W0081	Orange	32	14	M 5	10.0	24.5	4.0	3.0	35.0	45	38
74460.W0084	Black	32	14	M 5	10.0	24.5	4.0	3.0	35.0	45	38
74460.W0086	Orange	40	14	M 5	10.0	24.5	4.0	3.0	35.0	45	39
74460.W0089	Black	40	14	M 5	10.0	24.5	4.0	3.0	35.0	45	39
74460.W0131	Orange	12	14	M 6	10.0	24.5	4.0	3.0	35.0	45	37
74460.W0134	Black	12	14	M 6	10.0	24.5	4.0	3.0	35.0	45	37
74460.W0141	Orange	16	14	M 6	10.0	24.5	4.0	3.0	35.0	45	37
74460.W0144	Black	16	14	M 6	10.0	24.5	4.0	3.0	35.0	45	37
74460.W0151	Orange	20	14	M 6	10.0	24.5	4.0	3.0	35.0	45	38
74460.W0154	Black	20	14	M 6	10.0	24.5	4.0	3.0	35.0	45	38
74460.W0161	Orange	25	14	M 6	10.0	24.5	4.0	3.0	35.0	45	39
74460.W0164	Black	25	14	M 6	10.0	24.5	4.0	3.0	35.0	45	39
74460.W0171	Orange	32	14	M 6	10.0	24.5	4.0	3.0	35.0	45	40



Adjustable Clamping Levers

with grub screw, inner parts **stainless steel**

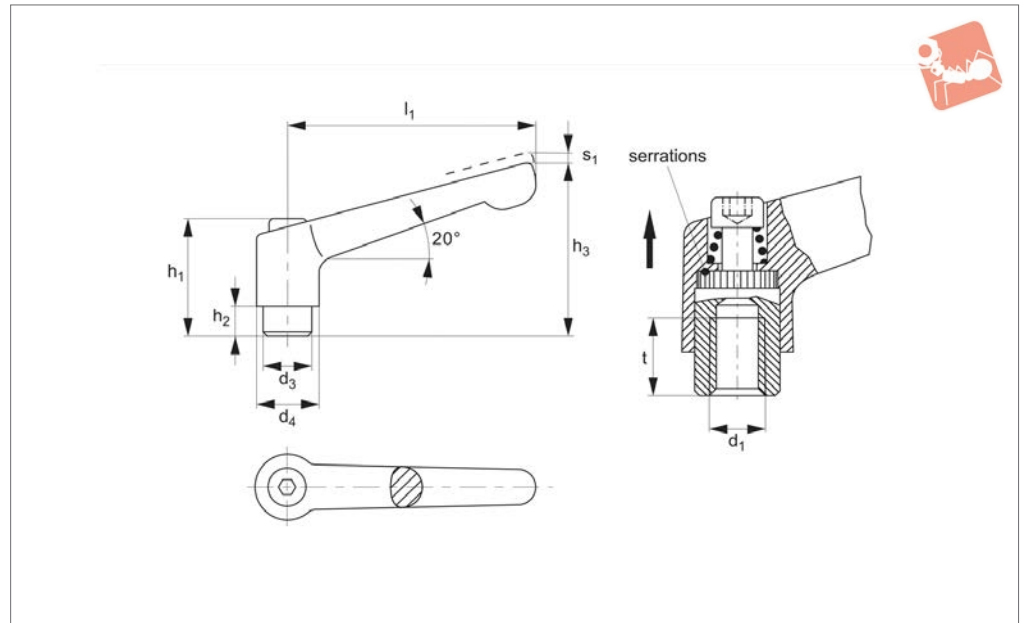


Order No.	Colour	l ₁	d ₁	d ₂	d ₃	h ₁	h ₂	h ₃	h ₄	l ₂	Weight g
74460.W0174	Black	32	14	M 6	10.0	24.5	4.0	3.0	35.0	45	40
74460.W0181	Orange	40	14	M 6	10.0	24.5	4.0	3.0	35.0	45	41
74460.W0184	Black	40	14	M 6	10.0	24.5	4.0	3.0	35.0	45	41
74460.W0191	Orange	50	14	M 6	10.0	24.5	4.0	3.0	35.0	45	43
74460.W0194	Black	50	14	M 6	10.0	24.5	4.0	3.0	35.0	45	43
74460.W0331	Orange	16	18	M 8	13.5	31.0	6.5	3.0	45.0	62	74
74460.W0334	Black	16	18	M 8	13.5	31.0	6.5	3.0	45.0	62	74
74460.W0341	Orange	20	18	M 8	13.5	31.0	6.5	3.0	45.0	62	76
74460.W0344	Black	20	18	M 8	13.5	31.0	6.5	3.0	45.0	62	76
74460.W0351	Orange	25	18	M 8	13.5	31.0	6.5	3.0	45.0	62	77
74460.W0354	Black	25	18	M 8	13.5	31.0	6.5	3.0	45.0	62	77
74460.W0361	Orange	32	18	M 8	13.5	31.0	6.5	3.0	45.0	62	79
74460.W0364	Black	32	18	M 8	13.5	31.0	6.5	3.0	45.0	62	79
74460.W0371	Orange	40	18	M 8	13.5	31.0	6.5	3.0	45.0	62	81
74460.W0374	Black	40	18	M 8	13.5	31.0	6.5	3.0	45.0	62	81
74460.W0381	Orange	50	18	M 8	13.5	31.0	6.5	3.0	45.0	62	84
74460.W0384	Black	50	18	M 8	13.5	31.0	6.5	3.0	45.0	62	84
74460.W0391	Orange	63	18	M 8	13.5	31.0	6.5	3.0	45.0	62	89
74460.W0394	Black	63	18	M 8	13.5	31.0	6.5	3.0	45.0	62	89
74460.W0441	Orange	20	22	M10	16.0	36.0	8.0	3.5	52.0	74	128
74460.W0444	Black	20	22	M10	16.0	36.0	8.0	3.5	52.0	74	128
74460.W0451	Orange	25	22	M10	16.0	36.0	8.0	3.5	52.0	74	130
74460.W0454	Black	25	22	M10	16.0	36.0	8.0	3.5	52.0	74	130
74460.W0461	Orange	32	22	M10	16.0	36.0	8.0	3.5	52.0	74	134
74460.W0464	Black	32	22	M10	16.0	36.0	8.0	3.5	52.0	74	134
74460.W0471	Orange	40	22	M10	16.0	36.0	8.0	3.5	52.0	74	138
74460.W0474	Black	40	22	M10	16.0	36.0	8.0	3.5	52.0	74	138
74460.W0481	Orange	50	22	M10	16.0	36.0	8.0	3.5	52.0	74	143
74460.W0484	Black	50	22	M10	16.0	36.0	8.0	3.5	52.0	74	143
74460.W0486	Orange	63	22	M10	16.0	36.0	8.0	3.5	52.0	74	148
74460.W0489	Black	63	22	M10	16.0	36.0	8.0	3.5	52.0	74	148
74460.W0491	Orange	80	22	M10	16.0	36.0	8.0	3.5	52.0	74	157
74460.W0494	Black	80	22	M10	16.0	36.0	8.0	3.5	52.0	74	157
74460.W0541	Orange	25	25	M12	19.0	43.0	11.0	4.0	63.0	89	205
74460.W0544	Black	25	25	M12	19.0	43.0	11.0	4.0	63.0	89	205
74460.W0551	Orange	32	25	M12	19.0	43.0	11.0	4.0	63.0	89	209
74460.W0554	Black	32	25	M12	19.0	43.0	11.0	4.0	63.0	89	209
74460.W0561	Orange	40	25	M12	19.0	43.0	11.0	4.0	63.0	89	215
74460.W0564	Black	40	25	M12	19.0	43.0	11.0	4.0	63.0	89	215
74460.W0571	Orange	50	25	M12	19.0	43.0	11.0	4.0	63.0	89	222
74460.W0574	Black	50	25	M12	19.0	43.0	11.0	4.0	63.0	89	222
74460.W0581	Orange	63	25	M12	19.0	43.0	11.0	4.0	63.0	89	232
74460.W0584	Black	63	25	M12	19.0	43.0	11.0	4.0	63.0	89	232
74460.W0591	Orange	80	25	M12	19.0	43.0	11.0	4.0	63.0	89	244
74460.W0594	Black	80	25	M12	19.0	43.0	11.0	4.0	63.0	89	244
74460.W0641	Orange	32	30	M16	23.0	50.5	12.0	5.0	76.0	108	348
74460.W0644	Black	32	30	M16	23.0	50.5	12.0	5.0	76.0	108	348
74460.W0651	Orange	40	30	M16	23.0	50.5	12.0	5.0	76.0	108	357
74460.W0654	Black	40	30	M16	23.0	50.5	12.0	5.0	76.0	108	357
74460.W0661	Orange	50	30	M16	23.0	50.5	12.0	5.0	76.0	108	370
74460.W0664	Black	50	30	M16	23.0	50.5	12.0	5.0	76.0	108	370
74460.W0671	Orange	63	30	M16	23.0	50.5	12.0	5.0	76.0	108	386
74460.W0674	Black	63	30	M16	23.0	50.5	12.0	5.0	76.0	108	386
74460.W0681	Orange	80	30	M16	23.0	50.5	12.0	5.0	76.0	108	407
74460.W0684	Black	80	30	M16	23.0	50.5	12.0	5.0	76.0	108	407

CLAMPING LEVERS



74380



Material

Stainless steel, 1.4308 (AISI CF-8). Matte blasted.
Inner parts: stainless, 1.4305.
Screw & spring: stainless, 1.4300.

disengaged. The handle can be positioned by the serrations, and the threaded insert can be exchanged. Upon releasing the handle, the serrations are automatically re-engaged.

ronments, such as food processing, chemical industries etc.

Technical Notes

By lifting the lever, the serrations are

Tips

Ideal for applications with aggressive envi-

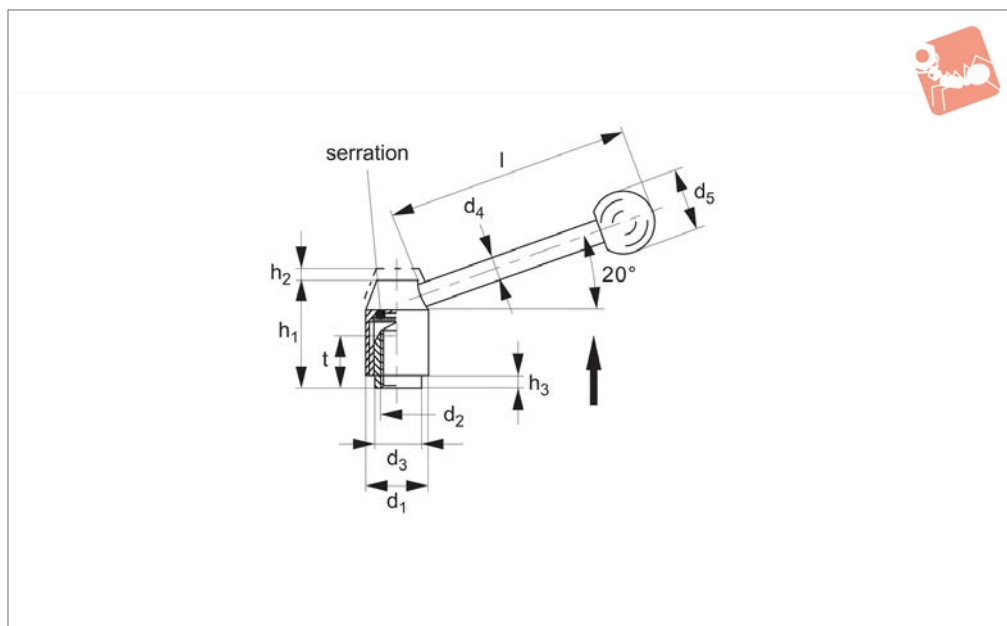
Order No.	l_1	d_1	d_3	d_4	h_1	h_2	h_3	t min.	Stroke s_1	Weight g
74380.W0111	45	M 5	10.0	13.0	24.5	4.0	35	9	3.5	37
74380.W0121	45	M 6	10.0	13.0	24.5	4.0	35	9	3.5	30
74380.W0311	63	M 6	13.5	17.5	31.0	6.5	45	11	4.0	80
74380.W0321	63	M 8	13.5	17.5	31.0	6.5	45	11	4.0	50
74380.W0411	78	M 8	16.0	21.0	36.0	8.0	55	14	4.0	140
74380.W0421	78	M10	16.0	21.0	36.0	8.0	55	14	4.0	140



Adjustable Clamping Lever

stainless steel - threaded bore

Clamping Levers



74520

CLAMPING LEVERS

Material

Stainless steel no. 1.4305 (AISI 303), matt shot-blasted. Ball knob DIN 319, plastic black.

a confined space or a particular lever position is required. Pulling the lever, disengages the serrations allowing it to be swivelled to the ideal clamping position. On releasing the lever it will automatically re-engage.

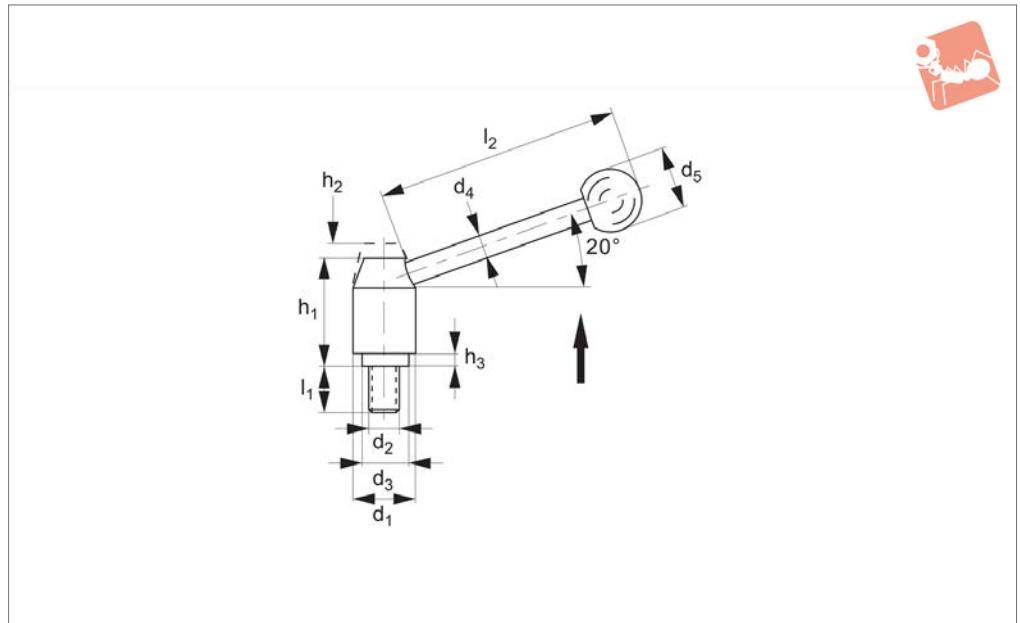
Technical Notes

Ideal whenever parts have to be clamped in

Order No.	d ₁	d ₂	d ₃	d ₄	d ₅	h ₁	h ₂	h ₃	l	t min.	Weight g
74520.W0006	21	M 6	13.5	8	20	33.5	4.0	1.0	70	11	91
74520.W0007	21	M 8	13.5	8	20	33.5	4.0	1.0	70	11	89
74520.W0008	24	M 8	16.0	10	25	40.0	4.5	2.5	96	14	159
74520.W0009	24	M10	16.0	10	25	40.0	4.5	2.5	96	14	153
74520.W0010	28	M10	19.0	12	30	48.5	4.5	4.5	110	17	255
74520.W0012	28	M12	19.0	12	30	48.5	4.5	4.5	110	17	248



74530



Material

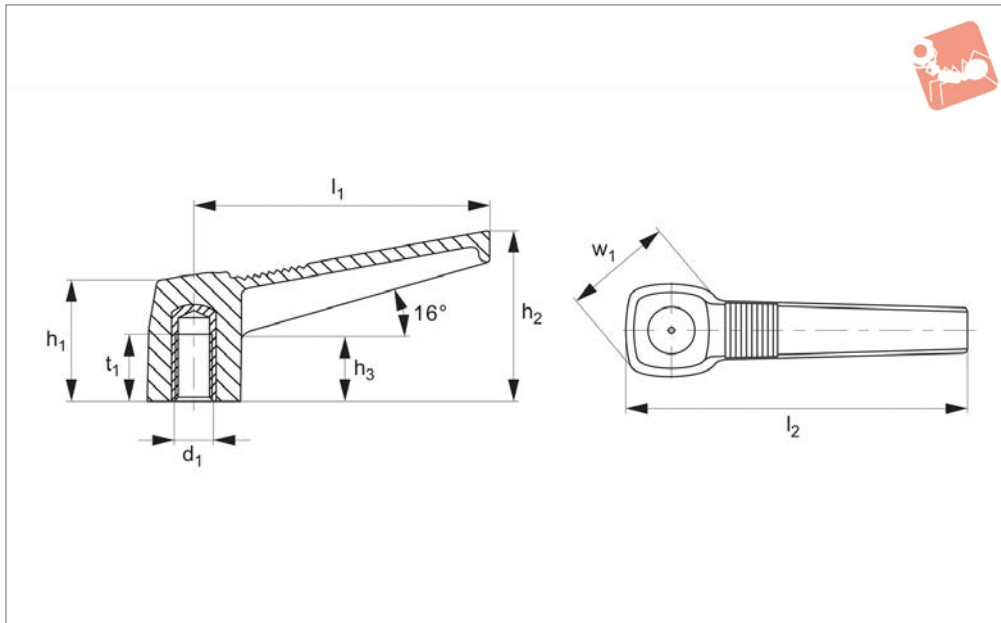
Stainless steel no. 1.4305 (AISI 303), matt shot-blasted. Ball knob DIN 319, plastic black.

a confined space or a particular lever position is required. Pulling the lever, disengages the serrations allowing it to be swivelled to the ideal clamping position. On releasing the lever it will automatically re-engage.

Technical Notes

Ideal whenever parts have to be clamped in

Order No.	l_1	d_1	d_2	d_3	d_4	d_5	h_1	h_2 stroke	h_3	$l_2 \approx$	Weight g
74530.W0080	16	21	M 8	13.5	8	20	33.5	4.0	1.0	70	99
74530.W0081	20	21	M 8	13.5	8	20	33.5	4.0	1.0	70	103
74530.W0082	25	21	M 8	13.5	8	20	33.5	4.0	1.0	70	102
74530.W0083	32	21	M 8	13.5	8	20	33.5	4.0	1.0	70	105
74530.W0084	40	21	M 8	13.5	8	20	33.5	4.0	1.0	70	112
74530.W0085	50	21	M 8	13.5	8	20	33.5	4.0	1.0	70	109
74530.W0086	63	21	M 8	13.5	8	20	33.5	4.0	1.0	70	114
74530.W0100	20	24	M10	16.0	10	25	40.0	4.5	2.5	96	173
74530.W0101	25	24	M10	16.0	10	25	40.0	4.5	2.5	96	174
74530.W0102	32	24	M10	16.0	10	25	40.0	4.5	2.5	96	177
74530.W0103	40	24	M10	16.0	10	25	40.0	4.5	2.5	96	184
74530.W0104	50	24	M10	16.0	10	25	40.0	4.5	2.5	96	185
74530.W0105	63	24	M10	16.0	10	25	40.0	4.5	2.5	96	195
74530.W0106	80	24	M10	16.0	10	25	40.0	4.5	2.5	96	205
74530.W0120	25	28	M12	19.0	12	30	48.5	4.5	4.5	110	283
74530.W0121	32	28	M12	19.0	12	30	48.5	4.5	4.5	110	287
74530.W0122	40	28	M12	19.0	12	30	48.5	4.5	4.5	110	298
74530.W0123	50	28	M12	19.0	12	30	48.5	4.5	4.5	110	302
74530.W0124	63	28	M12	19.0	12	30	48.5	4.5	4.5	110	312
74530.W0125	80	28	M12	19.0	12	30	48.5	4.5	4.5	110	320



74960

CLAMPING LEVERS

Material

Matt black, thermoplastic, glass fibre reinforced. Brass insert.

Technical Notes

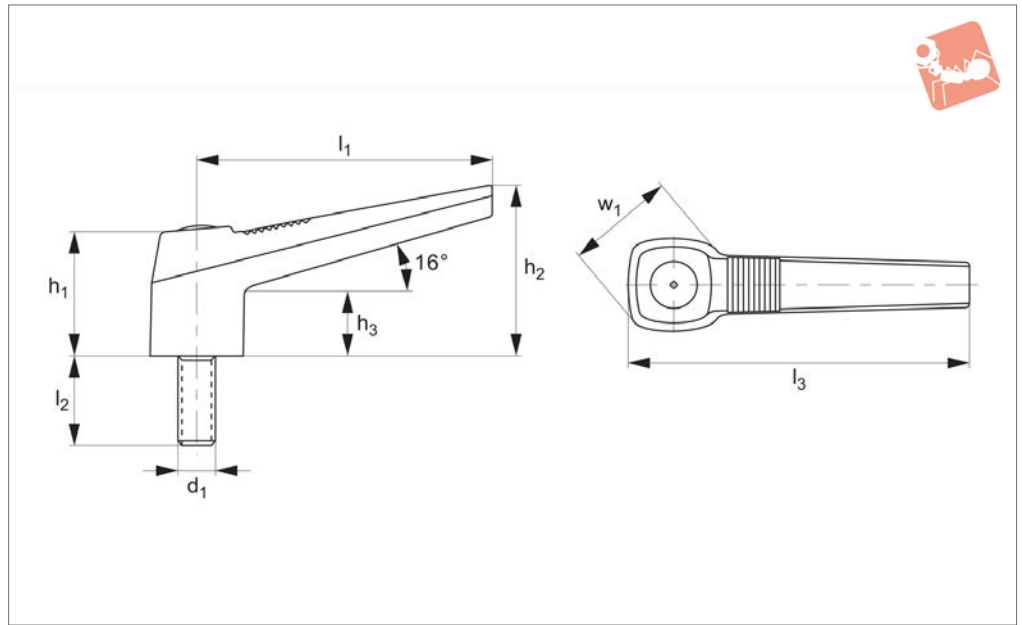
Special size and colours available on request, subject to minimum order quantity.

tity.

Order No.	l_1	d_1	h_1	h_2	h_3	l_2	t_1	w_1	Weight g
74960.W0041	42	M 5	20	25	11	50	9	19	8
74960.W0042	42	M 6	20	25	11	50	9	19	8
74960.W0063	63	M 6	26	35	14	73	13	25	20
74960.W0064	63	M 8	26	35	14	73	13	25	20
74960.W0080	80	M 8	33	45	17	92	15	30	37
74960.W0081	80	M10	33	45	17	92	16	30	38
74960.W0082	80	M12	39	45	17	92	18	30	33
74960.W0100	100	M12	39	55	18	115	18	36	68
74960.W0101	100	M14	39	55	18	36	20	115	72
74960.W0102	100	M16	39	55	18	115	20	36	76



74970



CLAMPING LEVERS

Material

Thermoplastic, black, matt, glass fibre reinforced. Zinc plated steel stud.

Technical Notes

Special size and colours available on request, subject to minimum order quantity.

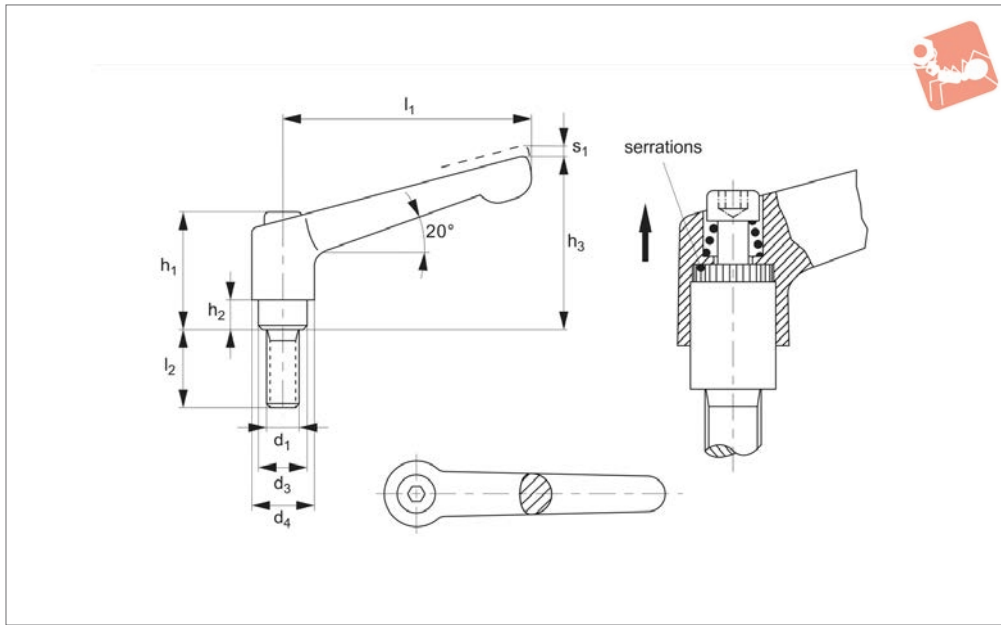
tity.

Order No.	l_1	d_1	h_1	h_2	h_3	l_2	l_3	w_1	Weight g
74970.W0041	42	M 6	20	25	11	15	50	19	11
74970.W0042	42	M 6	20	25	11	20	50	19	12
74970.W0063	63	M 8	26	35	14	25	73	25	30
74970.W0080	80	M 8	33	45	17	20	92	30	52
74970.W0081	80	M10	33	45	17	30	92	30	57
74970.W0100	100	M12	39	55	18	50	115	36	121



Adjustable Clamping Levers with grub screw - stainless

Clamping Levers



74390

CLAMPING LEVERS

Material

Stainless steel, 1.4308 (AISI CF-8). Matte blasted.

Inner parts: stainless, 1.4305.

Screw & spring: stainless, 1.4300.

disengaged. The handle can be positioned by the serrations, and the threaded insert can be exchanged. Upon releasing the handle, the serrations are automatically re-engaged.

ronments, such as food processing, chemical industries etc.

Technical Notes

By lifting the lever, the serrations are

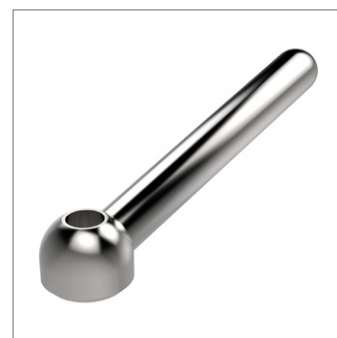
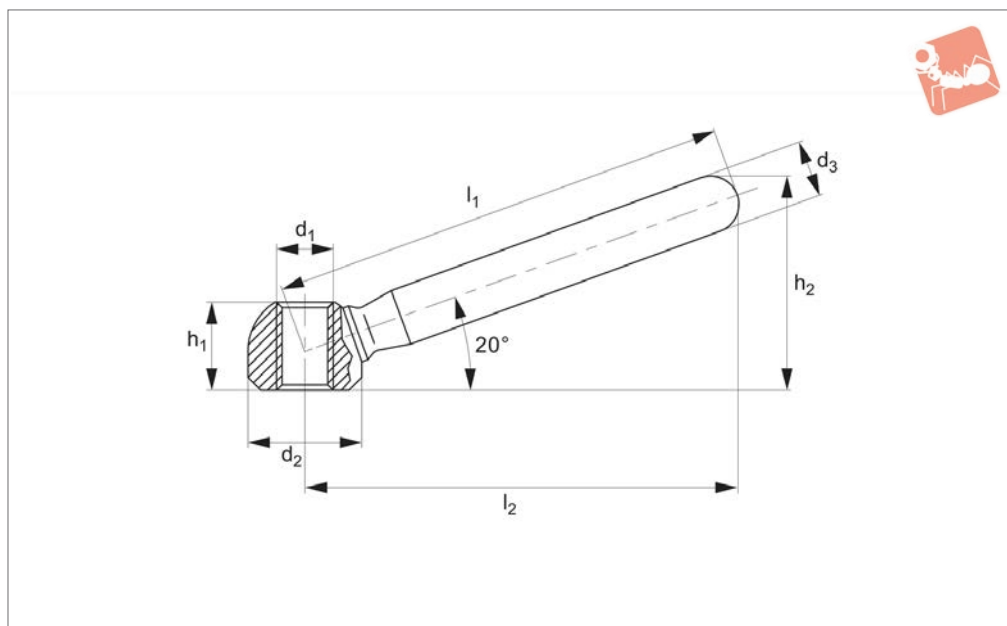
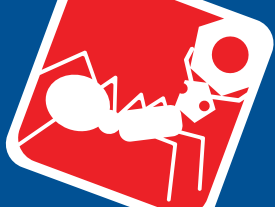
Tips

Ideal for applications with aggressive envi-

Order No.	l_1	d_1	d_3	d_4	h_1	h_2	h_3	l_2	Stroke s_1
74390.W0041	45	M 5	10.0	13.0	24.5	4.0	35	12	3.5
74390.W0051	45	M 5	10.0	13.0	24.5	4.0	35	16	3.5
74390.W0061	45	M 5	10.0	13.0	24.5	4.0	35	20	3.5
74390.W0071	45	M 5	10.0	13.0	24.5	4.0	35	25	3.5
74390.W0081	45	M 5	10.0	13.0	24.5	4.0	35	32	3.5
74390.W0091	45	M 5	10.0	13.0	24.5	4.0	35	40	3.5
74390.W0099	45	M 5	10.0	13.0	24.5	4.0	35	50	3.5
74390.W0141	45	M 6	10.0	13.0	24.5	4.0	35	12	3.5
74390.W0151	45	M 6	10.0	13.0	24.5	4.0	35	16	3.5
74390.W0161	45	M 6	10.0	13.0	24.5	4.0	35	20	3.5
74390.W0171	45	M 6	10.0	13.0	24.5	4.0	35	25	3.5
74390.W0181	45	M 6	10.0	13.0	24.5	4.0	35	32	3.5
74390.W0191	45	M 6	10.0	13.0	24.5	4.0	35	40	3.5
74390.W0199	45	M 6	10.0	13.0	24.5	4.0	35	50	3.5
74390.W0221	63	M 6	13.5	17.5	31.0	6.5	45	16	4.0
74390.W0231	63	M 6	13.5	17.5	31.0	6.5	45	20	4.0
74390.W0241	63	M 6	13.5	17.5	31.0	6.5	45	25	4.0
74390.W0251	63	M 6	13.5	17.5	31.0	6.5	45	32	4.0
74390.W0261	63	M 6	13.5	17.5	31.0	6.5	45	40	4.0
74390.W0271	63	M 6	13.5	17.5	31.0	6.5	45	50	4.0
74390.W0281	63	M 6	13.5	17.5	31.0	6.5	45	63	4.0
74390.W0331	63	M 8	13.5	17.5	31.0	6.5	45	16	4.0
74390.W0341	63	M 8	13.5	17.5	31.0	6.5	45	20	4.0
74390.W0351	63	M 8	13.5	17.5	31.0	6.5	45	25	4.0
74390.W0361	63	M 8	13.5	17.5	31.0	6.5	45	32	4.0
74390.W0371	63	M 8	13.5	17.5	31.0	6.5	45	40	4.0
74390.W0381	63	M 8	13.5	17.5	31.0	6.5	45	50	4.0
74390.W0391	63	M 8	13.5	17.5	31.0	6.5	45	63	4.0
74390.W0441	78	M 8	16.0	21.0	36.0	8.0	55	20	4.0
74390.W0451	78	M 8	16.0	21.0	36.0	8.0	55	25	4.0
74390.W0461	78	M 8	16.0	21.0	36.0	8.0	55	32	4.0



Order No.	l_1	d_1	d_3	d_4	h_1	h_2	h_3	l_2	Stroke s_1
74390.W0471	78	M 8	16.0	21.0	36.0	8.0	55	40	4.0
74390.W0481	78	M 8	16.0	21.0	36.0	8.0	55	50	4.0
74390.W0491	78	M 8	16.0	21.0	36.0	8.0	55	63	4.0
74390.W0499	78	M 8	16.0	21.0	36.0	8.0	55	80	4.0
74390.W0541	78	M10	16.0	21.0	36.0	8.0	55	20	4.0
74390.W0551	78	M10	16.0	21.0	36.0	8.0	55	25	4.0
74390.W0561	78	M10	16.0	21.0	36.0	8.0	55	32	4.0
74390.W0571	78	M10	16.0	21.0	36.0	8.0	55	40	4.0
74390.W0581	78	M10	16.0	21.0	36.0	8.0	55	50	4.0
74390.W0591	78	M10	16.0	21.0	36.0	8.0	55	63	4.0
74390.W0599	78	M10	16.0	21.0	36.0	8.0	55	80	4.0



73920

CLAMPING LEVERS

Material

Case hardened steel, or stainless steel AISI 303. Shaft butt welded.

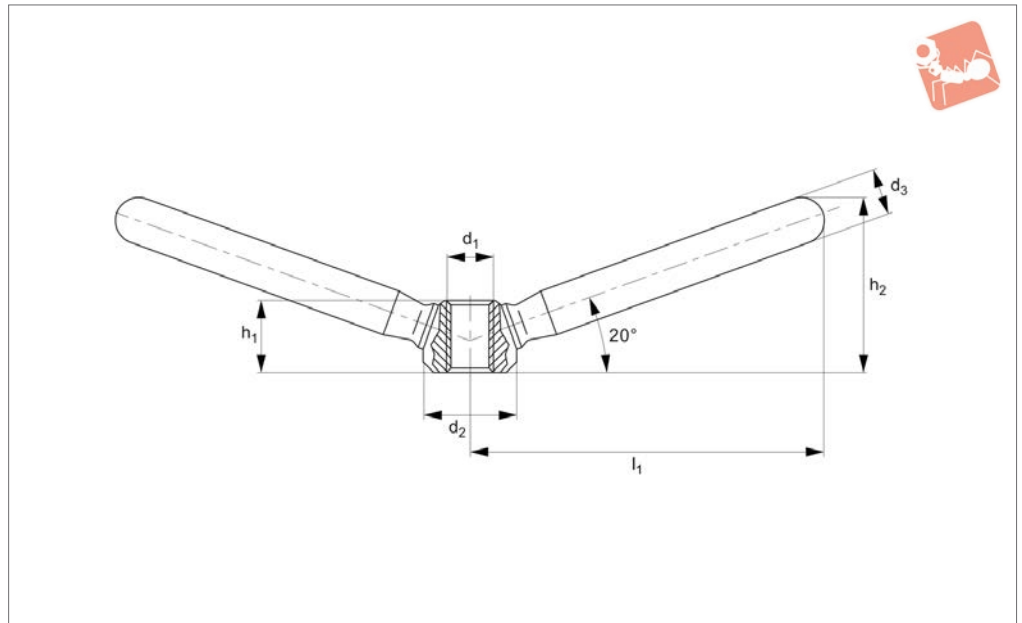
Technical Notes

Low price version to no. 74200.

Order No.	Finish	d_1	d_2	d_3	h_1	h_2 ≈	l_1	l_2 ≈	Weight g
73920.W0506	Steel	M 8	16	10	12.5	30.5	63	60	39
73920.W0508	Steel	M10	20	12	15.0	37.0	80	76	74
73920.W0510	Steel	M12	25	14	19.0	46.0	100	95	149
73920.W0512	Steel	M16	32	18	25.0	58.5	125	119	316
73920.W0516	Steel	M20	40	20	31.0	73.0	160	152	533
73920.W0606	Stainless Steel	M 8	16	10	12.5	30.5	63	60	39
73920.W0608	Stainless Steel	M10	20	12	15.0	37.0	80	76	73
73920.W0610	Stainless Steel	M12	25	14	19.0	46.0	100	95	153
73920.W0612	Stainless Steel	M16	32	18	25.0	58.5	125	119	314
73920.W0616	Stainless Steel	M20	40	20	31.0	73.0	160	152	533



73922



CLAMPING LEVERS

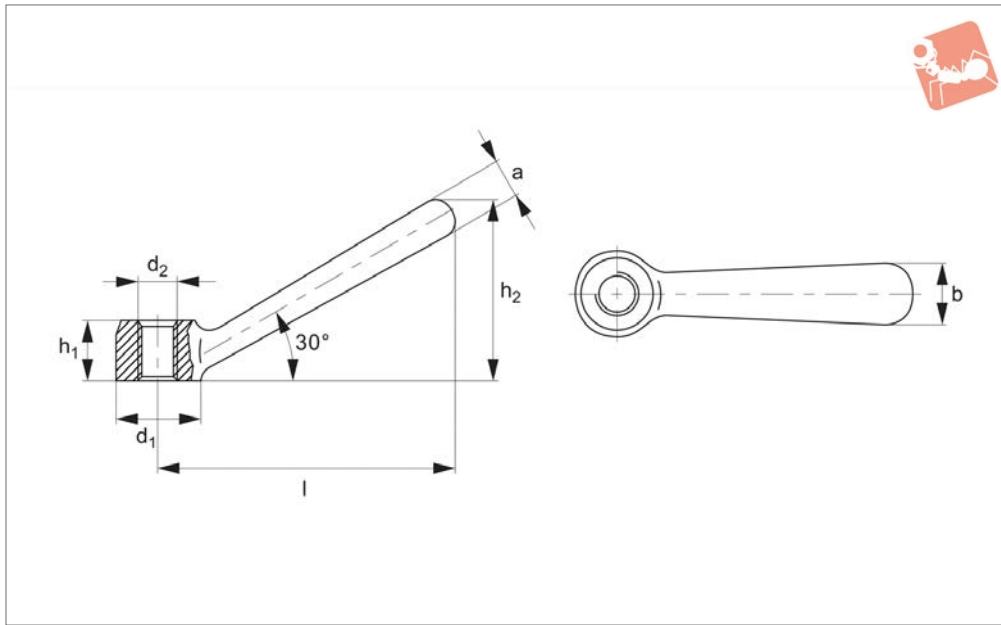
Material

Steel, galvanised.
Stainless steel 1.4301, dull blasted.

Technical Notes

Allows for two-handed operating.

Order No.	Material	d ₁	d ₂	d ₃	h ₁	h ₂	l ₁ ≈	Weight g
73922.W0706	Steel	M 8	16	10	12.5	26	47.5	55
73922.W0708	Steel	M10	20	12	15.0	32	59.5	116
73922.W0710	Steel	M12	25	14	19.0	40	75.5	210
73922.W0712	Steel	M16	32	18	25.0	52	94.5	432
73922.W0716	Steel	M20	40	20	31.0	62	118.0	716
73922.W0806	Stainless Steel	M 8	16	10	12.5	26	47.5	55
73922.W0808	Stainless Steel	M10	20	12	15.0	32	59.5	116
73922.W0810	Stainless Steel	M12	25	14	19.0	40	75.5	210
73922.W0812	Stainless Steel	M16	32	18	25.0	52	94.5	432
73922.W0816	Stainless Steel	M20	40	20	31.0	62	118.0	716



74000

CLAMPING LEVERS

Material

Malleable iron, tumble finish. Contact faces machined.

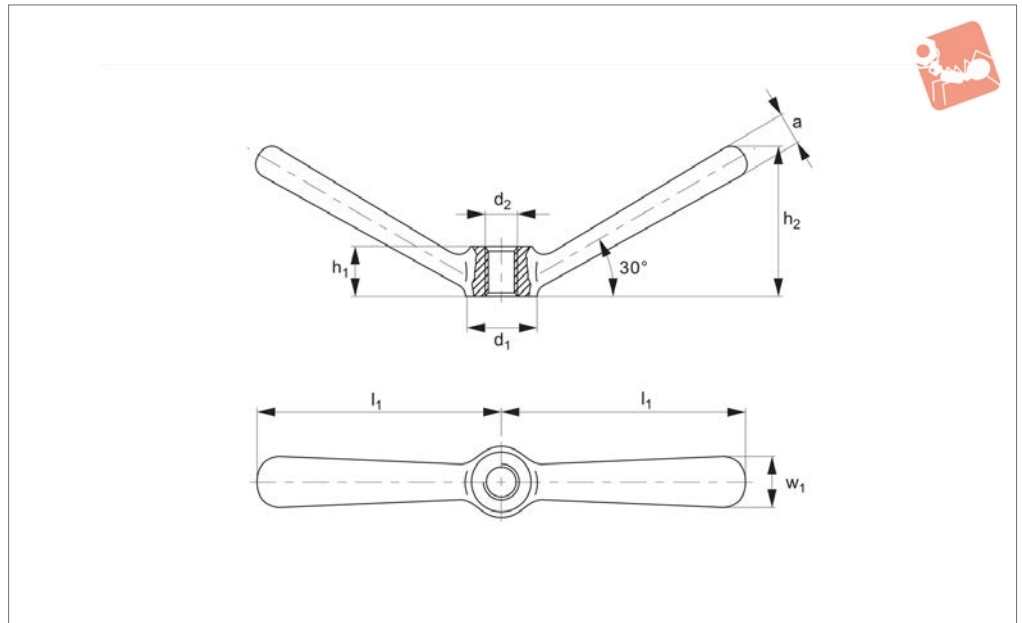
Technical Notes

These economic clamping levers are ideal where a lacquered finish is required.

Order No.	a	b	d ₁	d ₂	h ₁	h ₂ ≈	l ≈	Weight g
74000.W0008	7	12	16	M 8	12	34.0	56	34
74000.W0010	9	14	20	M10	14	42.5	70	60
74000.W0012	11	18	25	M12	18	53.0	87	125
74000.W0016	15	22	32	M16	22	66.5	109	248
74000.W0020	18	28	40	M20	28	84.5	140	518



74100



Material

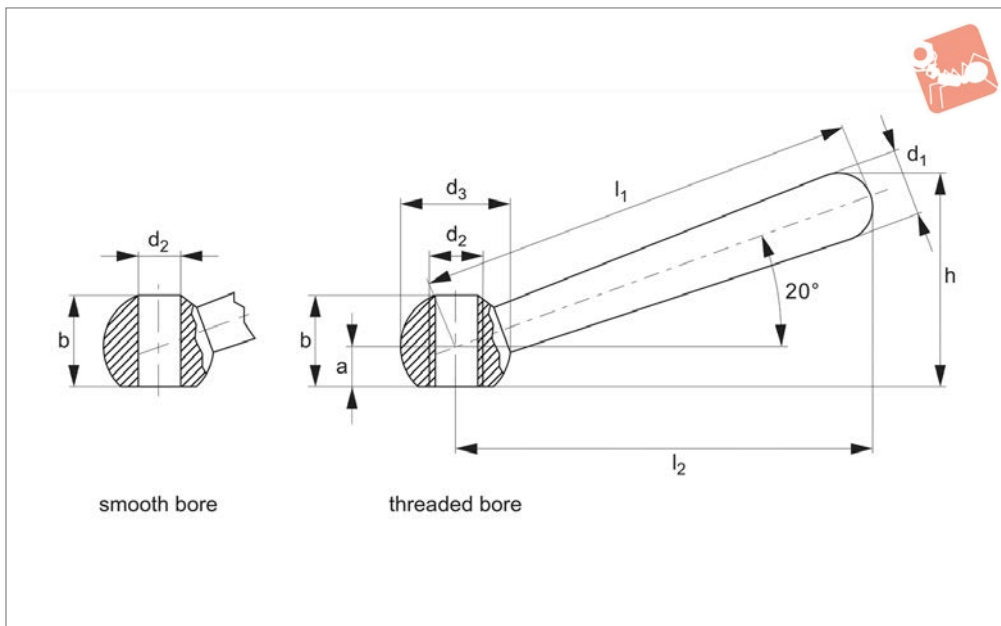
Malleable iron, prepared and tumble finished. Contact faces machined.

Technical Notes

Clamping levers with double arms are robust. Applications are, for example, in

boiler making and special purpose machinery.

Order No.	a	d ₁	d ₂	h ₁	h ₂ ≈	l ₁ ≈	w ₁	Weight g
74100.W0008	7	16	M 8	12	34	56	12	55
74100.W0010	9	20	M10	14	42	70	14	104
74100.W0012	11	25	M12	18	53	87	18	213
74100.W0016	15	32	M16	22	66	109	22	429
74100.W0020	18	40	M20	28	84	140	28	820



74200

CLAMPING LEVERS

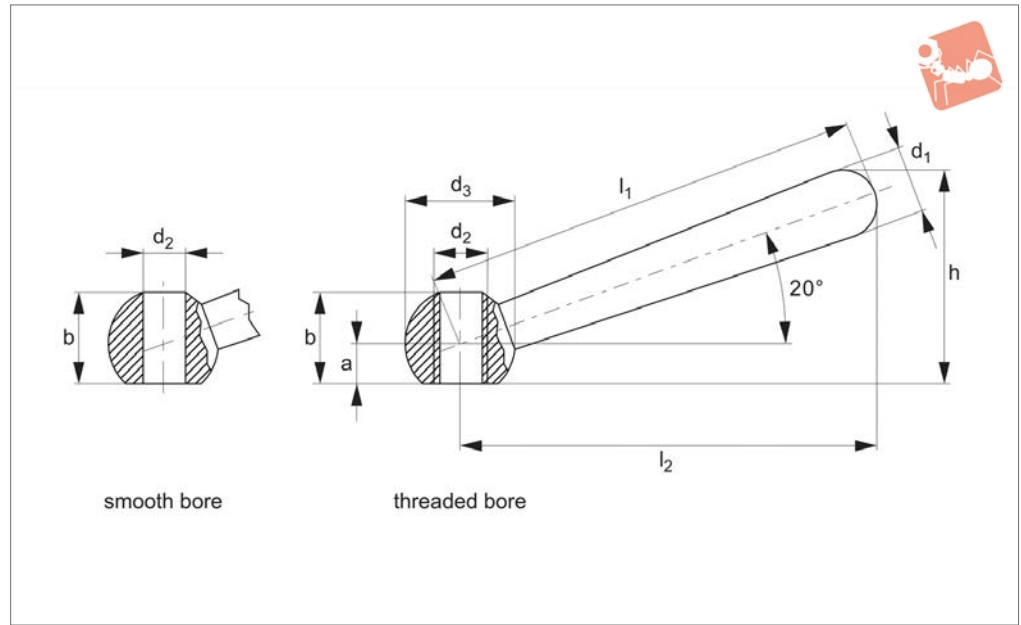
Material

Steel, blackened.

Order No.	Finish	a	b ≈	d ₁	d ₂ tol. H7	d ₂	d ₃	h ≈	l ₁	l ₂ ≈	Weight g
74200.W0105	Smooth Bore	4.0	9.5	8	6	-	12	24.0	50	48	16
74200.W0106	Smooth Bore	5.0	12.0	10	8	-	16	30.5	63	60	37
74200.W0108	Smooth Bore	6.0	14.5	13	10	-	20	38.0	80	76	73
74200.W0110	Smooth Bore	7.5	18.5	16	12	-	25	47.0	100	95	140
74200.W0112	Smooth Bore	10.0	24.0	20	16	-	32	59.5	125	119	282
74200.W0116	Smooth Bore	12.5	30.0	25	20	-	40	75.7	160	152	553
74200.W0120	Smooth Bore	18.0	40.0	32	24	-	50	97.0	200	190	1096
74200.W0305	Threaded Bore	4.0	9.5	8	-	M 6	12	24.0	50	48	17
74200.W0306	Threaded Bore	5.0	12.5	10	-	M 8	16	30.5	63	60	38
74200.W0308	Threaded Bore	6.0	15.0	13	-	M10	20	38.0	80	76	74
74200.W0310	Threaded Bore	7.5	19.0	16	-	M12	25	47.0	100	95	142
74200.W0312	Threaded Bore	10.0	25.0	20	-	M16	32	59.5	125	119	297
74200.W0316	Threaded Bore	12.5	31.0	25	-	M20	40	75.7	160	152	566
74200.W0320	Threaded Bore	18.0	41.0	32	-	M24	50	97.0	200	190	1140



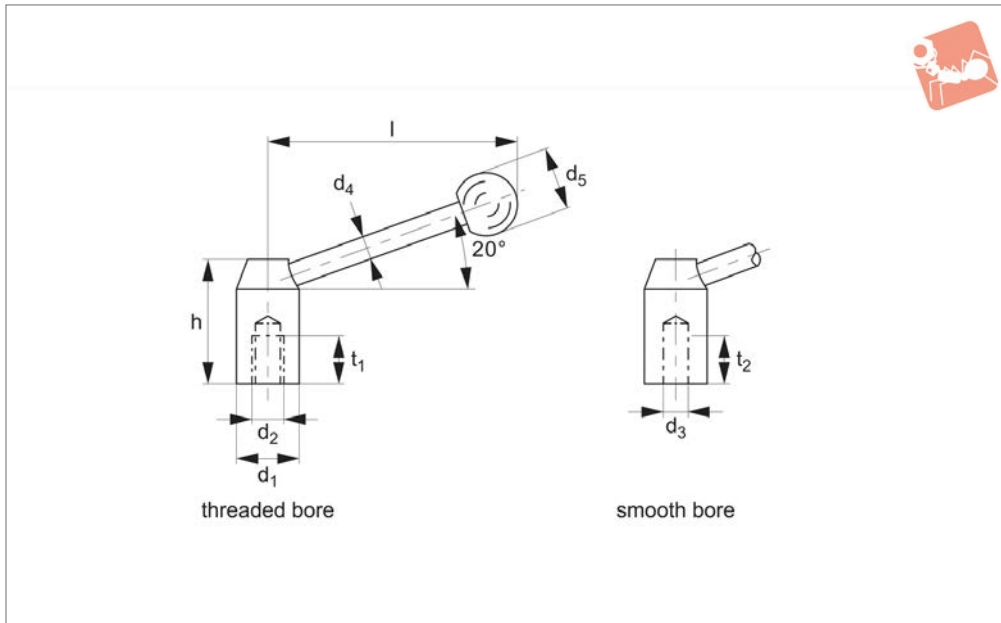
74201



Material

Stainless steel 1.4305 (AISI 303), dull blasted.

Order No.	Finish	a	b	d ₁	d ₂ tol. H7	d ₂	d ₃	h	l ₁	l ₂	Weight g
74201.W0206	Smooth Bore	5.0	12.0	10	8	-	16	30.5	63	60	37
74201.W0208	Smooth Bore	6.0	14.5	13	10	-	20	38.0	80	76	73
74201.W0210	Smooth Bore	7.5	18.5	16	12	-	25	47.0	100	95	140
74201.W0405	Threaded Bore	4.0	9.5	8	-	M_6	12	24.0	50	48	17
74201.W0406	Threaded Bore	5.0	12.5	10	-	M_8	16	30.5	63	60	38
74201.W0408	Threaded Bore	6.0	15.0	13	-	M10	20	38.0	80	76	74
74201.W0410	Threaded Bore	7.5	19.0	16	-	M12	25	47.0	100	95	142
74201.W0412	Threaded Bore	10.0	25.0	20	-	M16	32	59.5	125	119	297



74300

CLAMPING LEVERS

Material

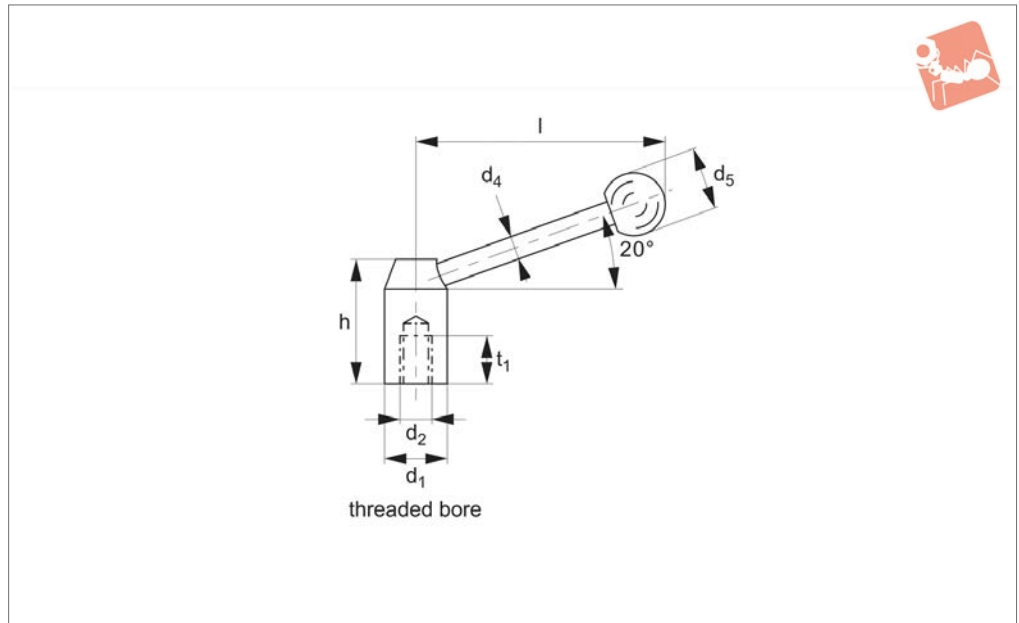
Handle: free-cutting steel, finish-turned or ground, blackened.

Ball knob: plastic type 31 black.

Order No.	Finish	d_1	d_2	d_3 tol. H7	d_4	d_5	h	l \approx	t_1	t_2	Weight g
74300.W0022	Threaded Bore	20	M 8	-	8	20	33	65	15	-	97
74300.W0032	Threaded Bore	22	M10	-	8	20	37	82	15	-	113
74300.W0038	Threaded Bore	25	M12	-	10	25	42	96	18	-	165
74300.W0042	Threaded Bore	28	M12	-	12	30	47	110	18	-	262
74300.W0048	Threaded Bore	32	M16	-	12	32	52	124	23	-	354
74300.W0052	Threaded Bore	36	M16	-	14	35	58	138	24	-	519
74300.W0058	Threaded Bore	40	M20	-	16	40	64	152	27	-	715
74300.W0020	Smooth Bore	20	-	10	8	20	33	67	-	16	91
74300.W0030	Smooth Bore	22	-	10	8	20	37	82	-	18	117
74300.W0035	Smooth Bore	25	-	12	10	25	42	96	-	21	170
74300.W0040	Smooth Bore	28	-	12	12	30	47	110	-	22	268
74300.W0045	Smooth Bore	32	-	16	12	32	52	124	-	25	351
74300.W0050	Smooth Bore	36	-	16	14	35	58	138	-	26	524
74300.W0055	Smooth Bore	40	-	20	16	40	64	152	-	29	700



74301



Material

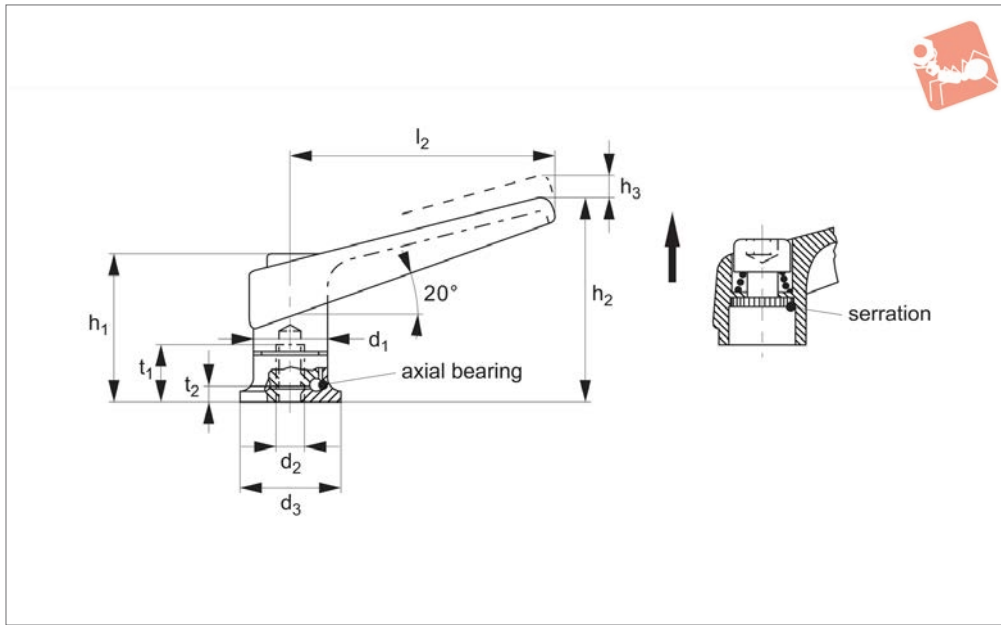
Handle: stainless steel 1.4305 (AISI 303).
Dull blasted.

Ball knob: plastic type 31 black.

Order No.	Finish	d ₁	d ₂	d ₄	d ₅	h	l	t ₁	Weight g
74301.W0230	Threaded Bore	22	M 8	8	20	37	70	15	121
74301.W0236	Threaded Bore	25	M10	10	25	42	96	15	186
74301.W0242	Threaded Bore	28	M12	12	30	47	110	18	262
74301.W0248	Threaded Bore	32	M16	12	32	52	124	23	354



Adjustable Clamping Levers with axial bearing - threaded bore



74470

CLAMPING LEVERS

Material

Lever: die-cast zinc.
Orange RAL 2004,
Black RAL 9005.
Inner parts: heat-treated steel, nitrided,
black.
Threaded part: steel, nitrided, blackened.

Technical Notes

By lifting the lever, the serrations are

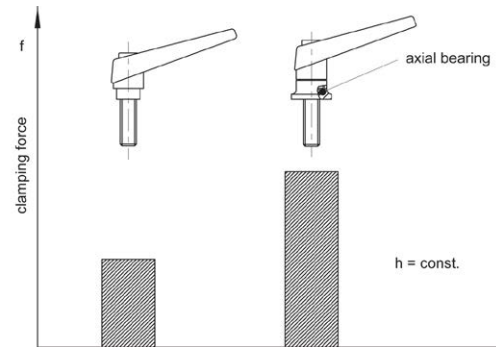
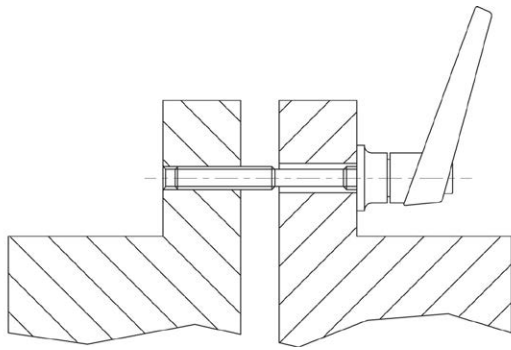
disengaged. The lever can be positioned by the serrations and the threaded insert can be exchanged. On releasing the lever, the serrations are automatically re-engaged. The collar screw is torx head.

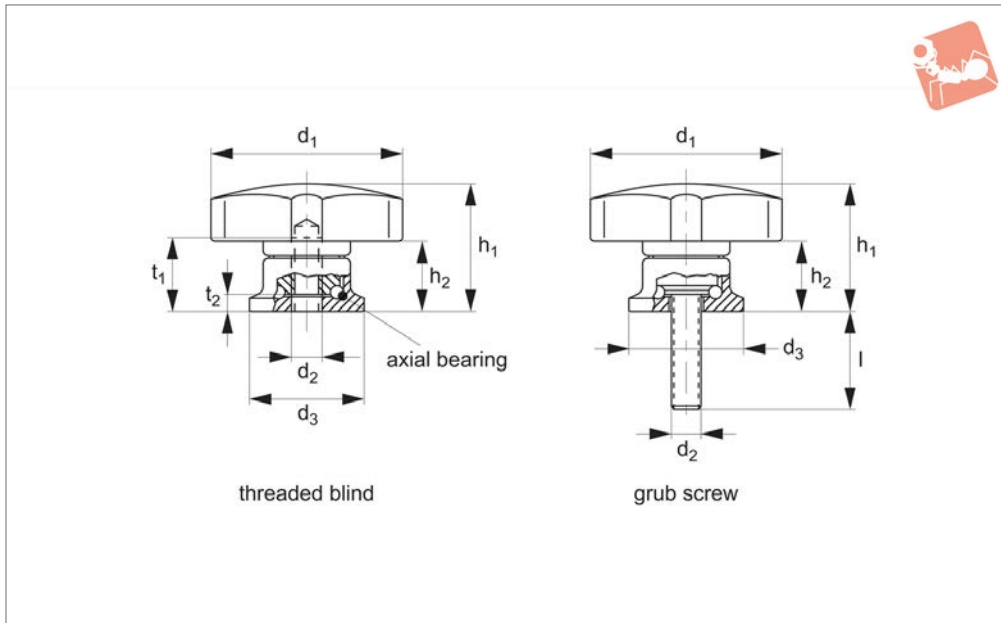
Tips

Benefits of axial bearing:
- clamping force is 100% greater than when using standard levers (see graph).

- smaller clamping levers can be used due to the improved clamping force.
- considerably less force loss due to setting.
- no releasing due to vibration.
- no damage to clamped parts, due to axial action.

Order No.	Finish	d ₁	d ₂	d ₃	h ₁	h ₂	h ₃	l ₂	t ₁ min.	t ₂	Weight g
74470.W0010	Orange	18	M_6	24.0	34.5	50	3.0	62	12.5	5.0	99
74470.W0110	Orange	22	M_8	25.0	39.5	56	3.5	74	14.0	4.2	140
74470.W0210	Orange	25	M10	30.0	46.5	66	4.0	89	18.0	5.4	207
74470.W0310	Orange	30	M12	35.0	56.5	82	5.0	108	26.5	6.6	359
74470.W0012	Black	18	M_6	24.0	34.5	50	3.0	62	12.5	5.0	99
74470.W0112	Black	22	M_8	25.0	39.5	56	3.5	74	14.0	4.2	140
74470.W0212	Black	25	M10	30.0	46.5	66	4.0	89	18.0	5.4	207
74470.W0312	Black	30	M12	35.0	56.5	82	5.0	108	26.5	6.6	359





70550

CLAMPING LEVERS

Material

Grip: thermoplast (PA).
Inner part: heat-treated steel, nitrided black.
Screw: quality 8.8, blackened.

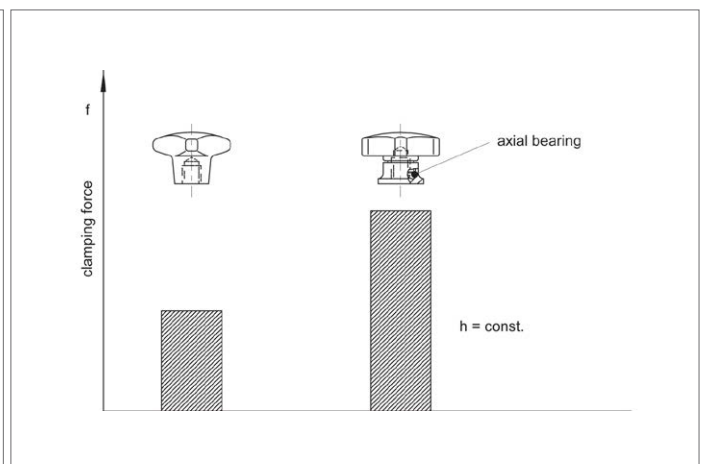
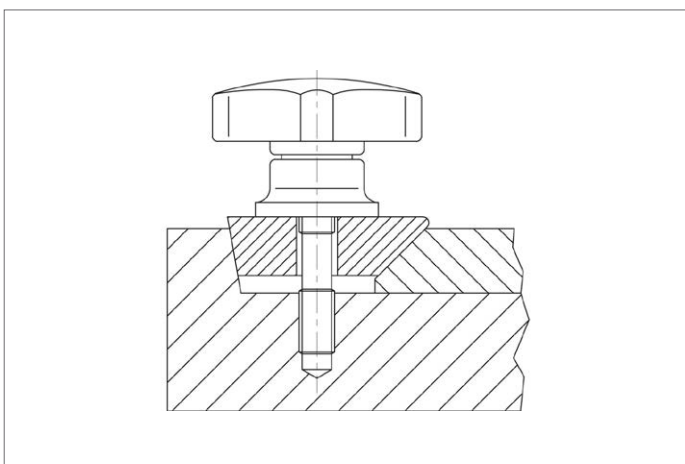
Technical Notes

Advantages of axial bearing:
- Double clamping force with same lever size, by reducing the surface friction.
- Protection of work piece by fixed locating

face.

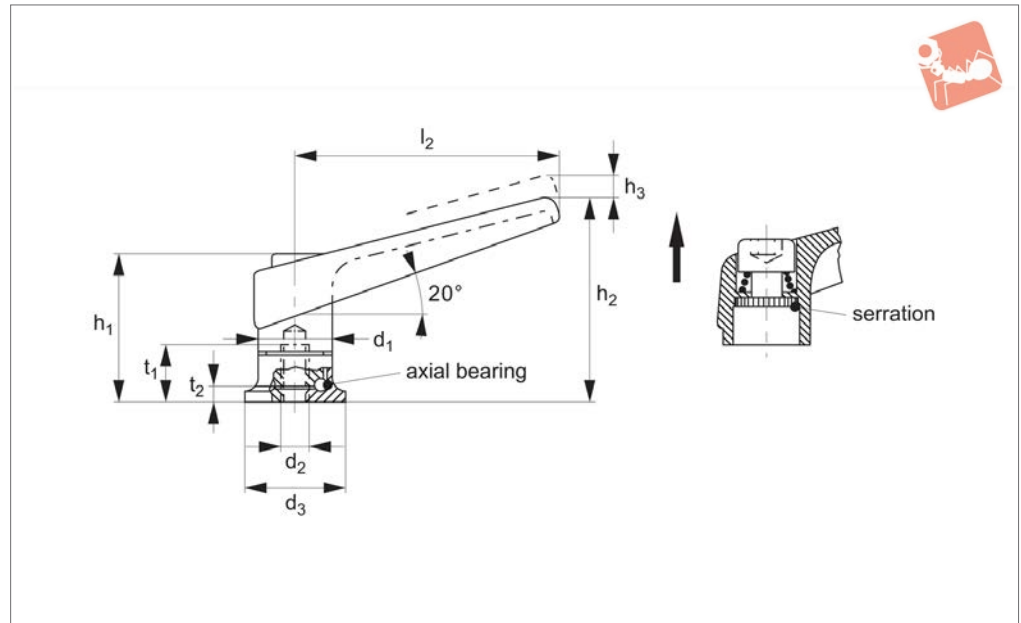
- Little setting due to higher pre-clamping force of bolt.
Temperature resistance +80°C max.

Order No.	Finish	d ₁	d ₂	d ₃	h ₁ ≈	h ₂ ≈	l +2	t ₁ min.	t ₂	Weight g
70550.W0040	Threaded, Blind	40	M 6	24	27	15.0	-	12.5	5.0	45
70550.W0050	Threaded, Blind	50	M 8	25	34	22.5	-	14.0	4.2	68
70550.W0063	Threaded, Blind	63	M10	30	41	26.5	-	18.0	5.4	111
70550.W0080	Threaded, Blind	80	M12	35	54	34.0	-	26.5	6.6	218
70550.W0042	Grub Screw	40	M 6	24	27	15.0	15	-	-	50
70550.W0044	Grub Screw	40	M 6	24	27	15.0	25	-	-	52
70550.W0053	Grub Screw	50	M 8	25	34	22.5	20	-	-	81
70550.W0056	Grub Screw	50	M 8	25	34	22.5	35	-	-	86
70550.W0066	Grub Screw	63	M10	30	41	26.5	30	-	-	137
70550.W0068	Grub Screw	63	M10	30	41	26.5	40	-	-	142
70550.W0083	Grub Screw	80	M12	35	54	34.0	30	-	-	258
70550.W0087	Grub Screw	80	M12	35	54	34.0	50	-	-	276





74472



Material

Lever: zinc die-cast, orange, simialr to RAL 2004. Zinc die-cast, black, similar to RAL 9005.

Threaded part: stainless steel.

Inner part: stainless steel.

Threaded part: stainless steel, hardened.

Technical Notes

By lifting the lever, the serrations are

disengaged. The lever can be positioned by the serrations and the threaded insert can be exchanged. On releasing the lever, the serrations are automatically re-engaged.

Tips

Benefits of axial bearing:

- clamping force is 100% greater than when using standard levers (see graph).
- smaller clamping levers can be used due

to the improved clamping force.

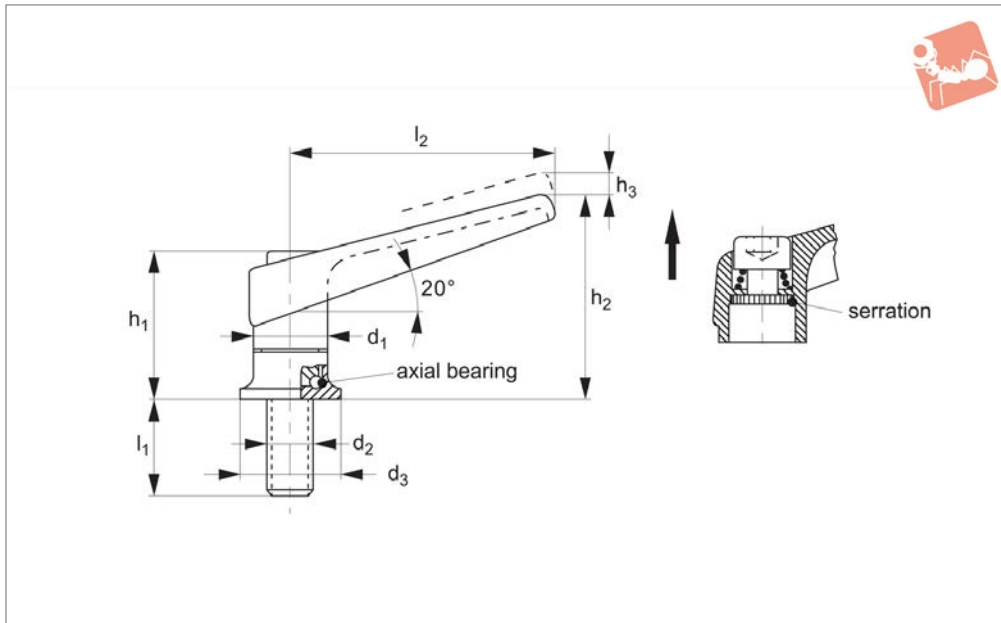
- considerably less force loss due to setting.
- no releasing due to vibration.
- no damage to clamped parts, due to axial action.

Order No.	Colour	d ₁	d ₂	d ₃	h ₁	h ₂	h ₃	l ₂	t ₁ min.	t ₂	Weight g
74472.W1010	Orange	18	M 6	24	34.5	50	3.0	62	12.5	5.0	99
74472.W1012	Black	18	M 6	24	34.5	50	3.0	62	12.5	5.0	99
74472.W1110	Orange	22	M 8	25	39.5	56	3.5	74	14.0	4.2	140
74472.W1112	Black	22	M 8	25	39.5	56	3.5	74	14.0	4.2	140
74472.W1210	Orange	25	M10	30	46.5	66	4.0	89	18.0	5.4	207
74472.W1212	Black	25	M10	30	46.5	66	4.0	89	18.0	5.4	207
74472.W1310	Orange	30	M12	35	56.5	82	5.0	108	26.5	6.6	359
74472.W1312	Black	30	M12	35	56.5	82	5.0	108	26.5	6.6	359



Adjustable Clamping Levers with axial bearing - with grub screw

Clamping Levers



74480

CLAMPING LEVERS

Material

Lever: die-cast zinc.

Orange RAL 2004,

Black RAL 9005.

Inner parts: heat-treated steel, nitrided, blackened.

Screw: steel, nitrided, blackened.

Technical Notes

Lifting the lever disengages the serrations

and the lever can be positioned. On releasing the lever the serrations are automatically re-engaged.

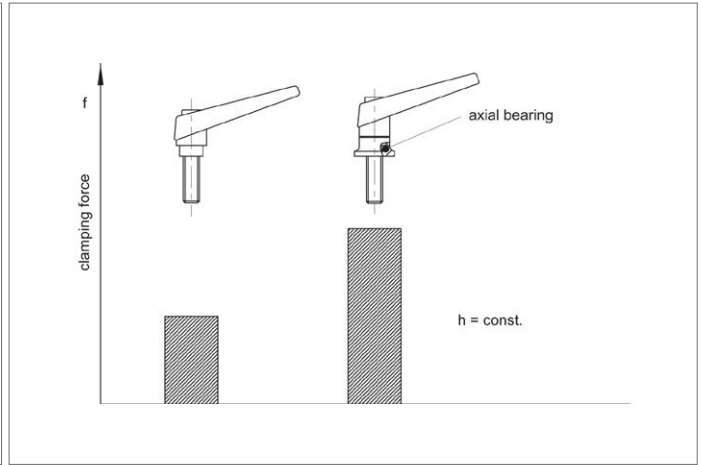
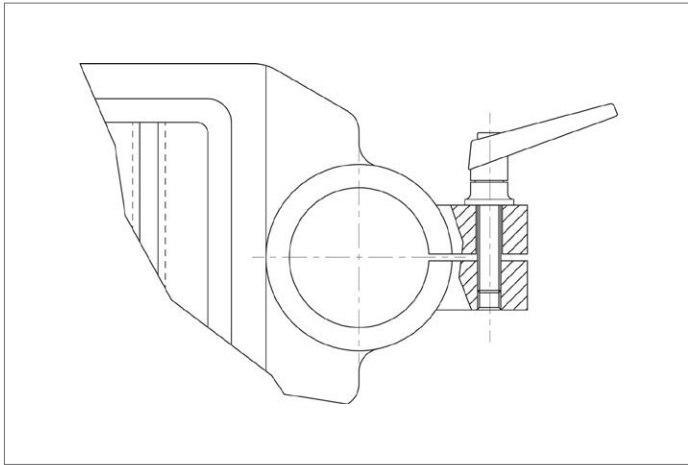
Tips

Benefits of axial bearing:

- clamping force is 100% greater than when using standard levers (see graph).
- smaller clamping levers can be used due to the improved clamping force.

- considerably less force loss due to setting.
- no releasing due to vibration.
- no damage to clamped parts, due to axial action.

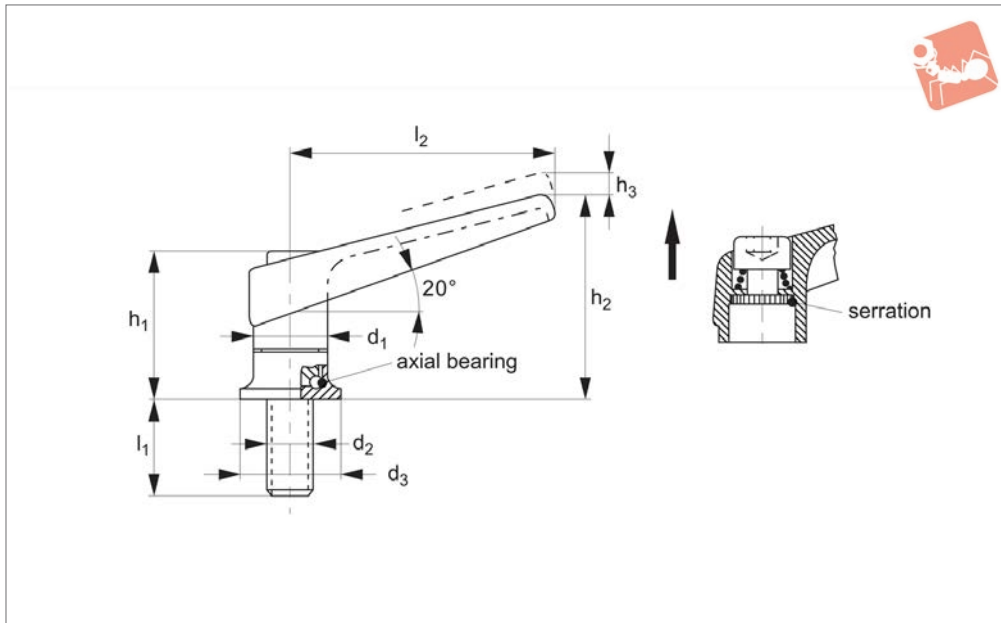
Order No.	Finish	d ₁	d ₂	d ₃	h ₁	h ₂	h ₃	l ₁	l ₂	Weight g
74480.W0030	Orange	18	M_6	24	34.5	50	3.0	20	62	97
74480.W0050	Orange	18	M_6	24	34.5	50	3.0	27	62	98
74480.W0130	Orange	22	M_8	25	39.5	56	3.5	21	74	151
74480.W0150	Orange	22	M_8	25	39.5	56	3.5	36	74	157
74480.W0230	Orange	25	M10	30	46.5	66	4.0	29	89	232
74480.W0250	Orange	25	M10	30	46.5	66	4.0	47	89	242
74480.W0330	Orange	30	M12	35	56.5	82	5.0	34	108	412
74480.W0346	Orange	30	M12	35	56.5	82	5.0	50	108	420
74480.W0350	Orange	30	M12	35	56.5	82	5.0	57	108	426
74480.W0364	Orange	30	M12	35	56.5	82	5.0	65	108	431
74480.W0384	Orange	30	M12	35	56.5	82	5.0	85	108	449
74480.W0032	Black	18	M_6	24	34.5	50	3.0	20	62	97
74480.W0052	Black	18	M_6	24	34.5	50	3.0	27	62	98
74480.W0132	Black	22	M_8	25	39.5	56	3.5	21	74	151
74480.W0152	Black	22	M_8	25	39.5	56	3.5	36	74	157
74480.W0232	Black	25	M10	30	46.5	66	4.0	29	89	232
74480.W0252	Black	25	M10	30	46.5	66	4.0	47	89	242
74480.W0332	Black	30	M12	35	56.5	82	5.0	34	108	412
74480.W0348	Black	30	M12	35	56.5	82	5.0	50	108	420
74480.W0352	Black	30	M12	35	56.5	82	5.0	57	108	426
74480.W0366	Black	30	M12	35	56.5	82	5.0	65	108	431
74480.W0386	Black	30	M12	35	56.5	82	5.0	85	108	449





Adjustable Clamping Levers

with axial bearing, from stainless steel, with screw



74482

CLAMPING LEVERS

Material

Lever: zinc die-cast, orange, similar to RAL 2004. Zinc die-cast, black, similar to RAL 9005.

Screw: stainless steel.

Inner parts: stainless steel.

Threaded part: stainless steel, hardened.

Technical Notes

Lifting the lever disengages the serrations

and the lever can be positioned. On releasing the lever the serrations are automatically re-engaged.

Tips

Benefits of axial bearing:

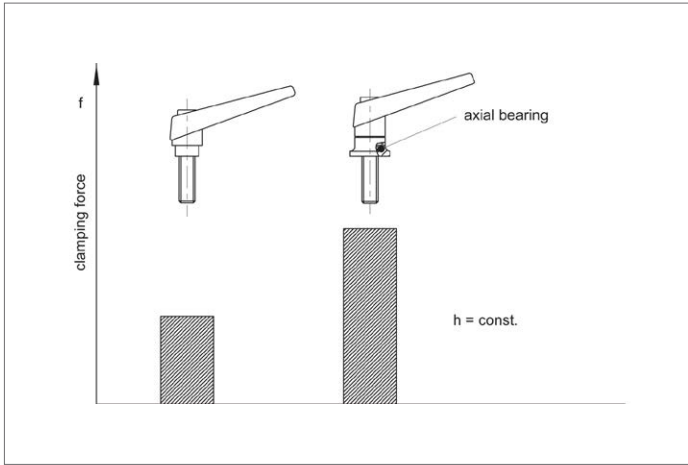
- clamping force is 100% greater than when using standard levers (see graph).
- smaller clamping levers can be used due to the improved clamping force.

- considerably less force loss due to setting.

- no releasing due to vibration.

- no damage to clamped parts, due to axial action.

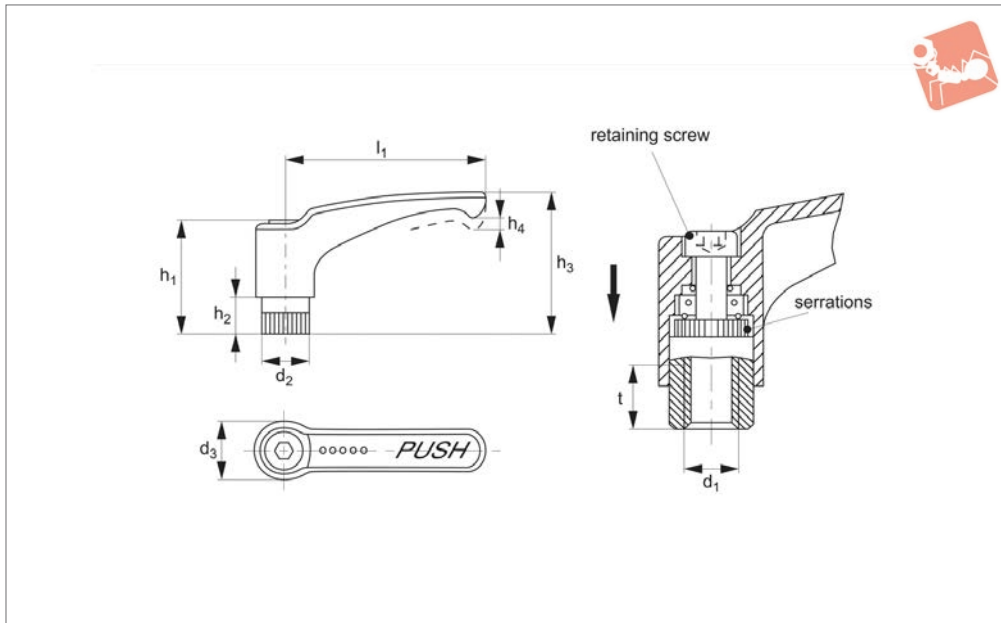
Order No.	Colour	d ₁	d ₂	d ₃	h ₁	h ₂	h ₃	l ₁	l ₂	Weight g
74482.W1030	Orange	18	M 6	24	34.5	50	3.0	20	62	97
74482.W1032	Black	18	M 6	24	34.5	50	3.0	20	62	97
74482.W1050	Orange	18	M 6	24	34.5	50	3.0	27	62	98
74482.W1052	Black	18	M 6	24	34.5	50	3.0	27	62	98
74482.W1130	Orange	22	M 8	25	39.5	56	3.5	21	74	151
74482.W1132	Black	22	M 8	25	39.5	56	3.5	21	74	151
74482.W1150	Orange	22	M 8	25	39.5	56	3.5	36	74	157
74482.W1152	Black	22	M 8	25	39.5	56	3.5	36	74	157
74482.W1230	Orange	25	M10	30	46.5	66	4.0	29	89	232
74482.W1232	Black	25	M10	30	46.5	66	4.0	29	89	232
74482.W1250	Orange	25	M10	30	46.5	66	4.0	47	89	242
74482.W1252	Black	25	M10	30	46.5	66	4.0	47	89	242
74482.W1330	Orange	30	M12	35	56.5	82	5.0	34	108	412
74482.W1332	Black	30	M12	35	56.5	82	5.0	34	108	412
74482.W1346	Orange	30	M12	35	56.5	82	5.0	50	108	420
74482.W1348	Black	30	M12	35	56.5	82	5.0	50	108	420
74482.W1350	Orange	30	M12	35	56.5	82	5.0	57	108	426
74482.W1352	Black	30	M12	35	56.5	82	5.0	57	108	426
74482.W1364	Orange	30	M12	35	56.5	82	5.0	65	108	431
74482.W1366	Black	30	M12	35	56.5	82	5.0	65	108	431
74482.W1384	Orange	30	M12	35	56.5	82	5.0	85	108	449
74482.W1386	Black	30	M12	35	56.5	82	5.0	85	108	449





Free Running Safety Clamping Lever, free-running when not engaged

Clamping Levers



74860

CLAMPING LEVERS

Material

Plastic technopolymer (polyamide PA) glass fibre reinforced, black.
Inner parts: steel, blackened embedded in black plastic.

Tips

Unique Safety Handle.

When not in use, the lever is not engaged with threaded insert, i.e. the adjustable lever turns freely.

As soon as the lever hub is pushed down, both serrations will engage, allowing the fixture to be released or clamped.

After „releasing“, the lever disengages

through spring tension.

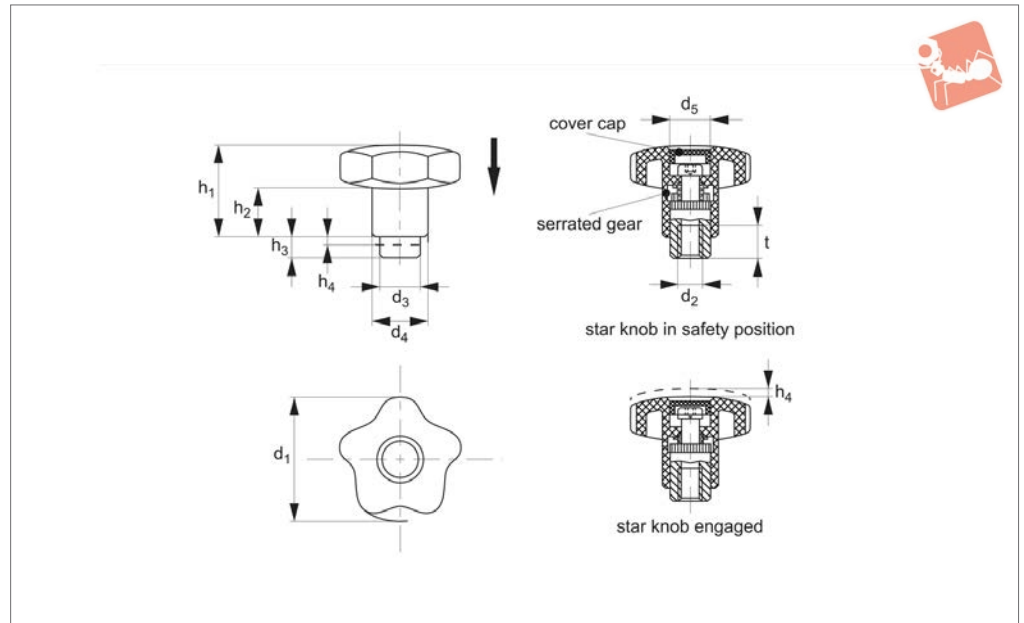
Important Notes

Used where accidental loosening or readjustment can result in accidents.
Temperature resistant to +130°C.

Order No.	l_1	d_1	d_2	d_3	h_1	h_2	h_3	h_4 stroke	t min.	Weight g
74860.W0041	44	M 4	12	15.5	29	9	36	3.5	10	14
74860.W0042	44	M 5	12	15.5	29	9	36	3.5	10	13
74860.W0043	44	M 6	12	15.5	29	9	36	3.5	10	12
74860.W0061	63	M 6	15	19.0	37	12	48	4.0	13	25
74860.W0062	63	M 8	15	19.0	37	12	48	4.0	13	24



70300



Material

Plastic technopolymer (Polyamide PA)
 glass fibre reinforced, black.
 Thread bush, steel.
 Inner parts: zinc die cast.

dental loosening or adjusting of the knob
 may lead to accidents.
 Temperature resistant to +130°C.

Tips

Unique safety handle:
 When not in use, star knob is not
 engaged with the threaded insert, i.e.
 the knob is free-running. Only after axial

**pushing of the star knob, the two
 serrations get engaged so that the knob
 can be loosened/ tightened. After relea-
 sing, the two serrations are disengaged
 by a spring.**

Technical Notes

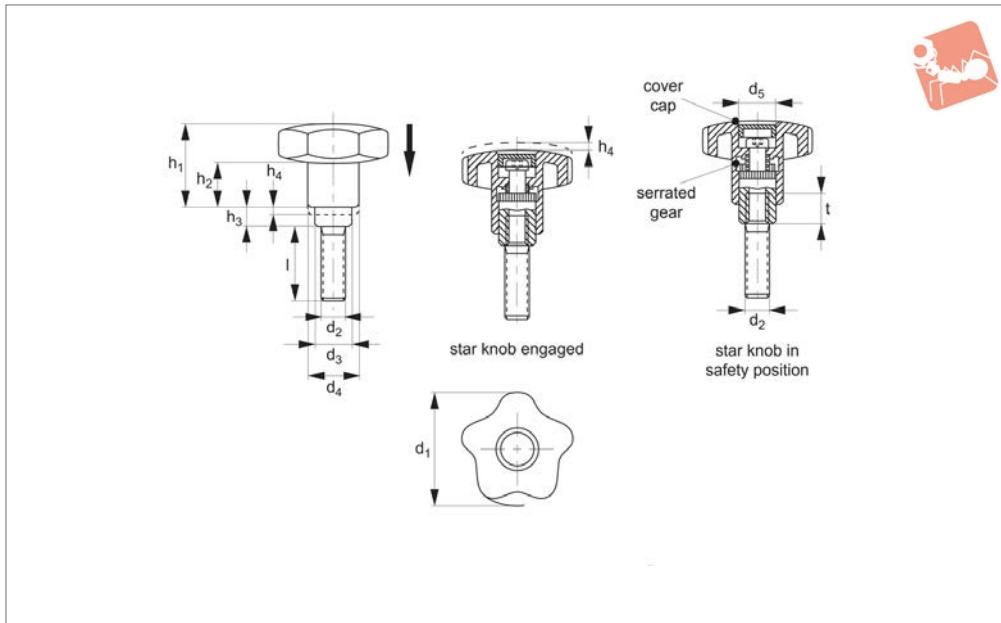
Suitable for applications where an acci-

Order No.	d ₁	d ₂	d ₃	d ₄	d ₅	h ₁	h ₂	h ₃	h ₄ stroke	t min.
70300.W0061	40	M 6	13.5	18	13.5	30	14	7	2.5	11
70300.W0081	40	M 8	13.5	18	13.5	30	14	7	2.5	11
70300.W0082	50	M 8	16.0	22	16.5	34	15	8	3.5	14
70300.W0101	50	M10	16.0	22	16.5	34	15	8	3.5	14



Free Running Safety Star Grip, with free-running when not engaged

Clamping Levers



70310

CLAMPING LEVERS

Material

Plastic technopolymer (Polyamide PA)
glass fibre reinforced, black.
Thread bush, steel.
Inner parts: zinc die cast.

dental loosening or adjusting of the knob
may lead to accidents.
Temperature resistant to +130°C.

**pushing of the star knob, the two
serrations get engaged so that the knob
can be loosened/ tightened. After relea-
sing, the two serrations are disengaged
by a spring.**

Tips

**Unique safety handle.
When not in use, star knob is not
engaged with the threaded insert, i.e.
the knob is free-running. Only after axial**

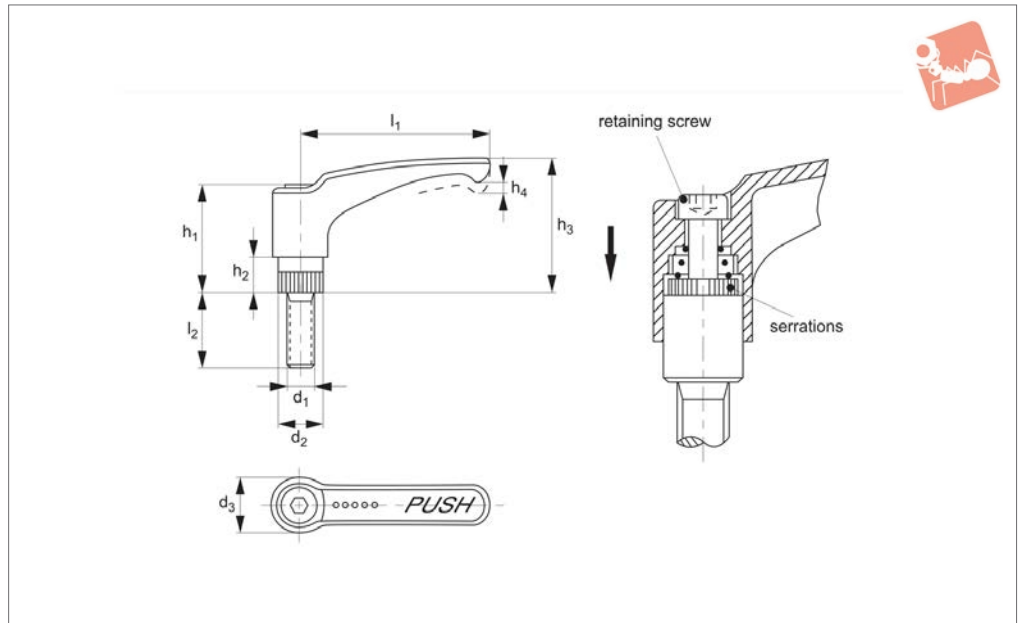
Technical Notes

Suitable for applications where an acci-

Order No.	d ₁	d ₂	l	d ₃	d ₄	d ₅	h ₁	h ₂	h ₃	h ₄ stroke
70310.W0061	40	M 6	20	13.5	18	13.5	30	14	7	2.5
70310.W0062	40	M 6	25	13.5	18	13.5	30	14	7	2.5
70310.W0063	40	M 6	32	13.5	18	13.5	30	14	7	2.5
70310.W0064	40	M 6	40	13.5	18	13.5	30	14	7	2.5
70310.W0081	40	M 8	20	13.5	18	13.5	30	14	7	2.5
70310.W0082	40	M 8	25	13.5	18	13.5	30	14	7	2.5
70310.W0083	40	M 8	32	13.5	18	13.5	30	14	7	2.5
70310.W0084	40	M 8	40	13.5	18	13.5	30	14	7	2.5
70310.W0085	50	M 8	25	16.0	22	16.5	34	15	8	3.5
70310.W0086	50	M 8	32	16.0	22	16.5	34	15	8	3.5
70310.W0087	50	M 8	40	16.0	22	16.5	34	15	8	3.5
70310.W0088	50	M 8	50	16.0	22	16.5	34	15	8	3.5
70310.W0101	50	M10	25	16.0	22	16.5	34	15	8	3.5
70310.W0102	50	M10	32	16.0	22	16.5	34	15	8	3.5
70310.W0103	50	M10	40	16.0	22	16.5	34	15	8	3.5
70310.W0104	50	M10	50	16.0	22	16.5	34	15	8	3.5



74880



Material

Plastic technopolymer (polyamide PA) glass fibre reinforced, black.
Inner parts: steel, blackened embedded in black plastic.

Tips

Unique Safety Handle.

When not in use, the lever is not engaged with threaded insert, i.e. the adjustable lever turns freely.

As soon as the lever hub is pushed down, both serrations will engage, allowing the fixture to be released or clamped.

After „releasing“, the lever disengages

through spring tension.

Important Notes

Used where accidental loosening or readjustment can result in accidents.
Temperature resistant to +130°C.

Order No.	l_1	d_1	d_2	d_3	h_1	h_2	h_3	h_4 stroke	l_2	Weight g
74880.W0061	44	M 6	12	15.5	29	9	36	3.5	16	18
74880.W0062	44	M 6	12	15.5	29	9	36	3.5	25	21
74880.W0081	63	M 8	15	19.0	37	12	48	4.0	20	38
74880.W0082	63	M 8	15	19.0	37	12	48	4.0	30	43