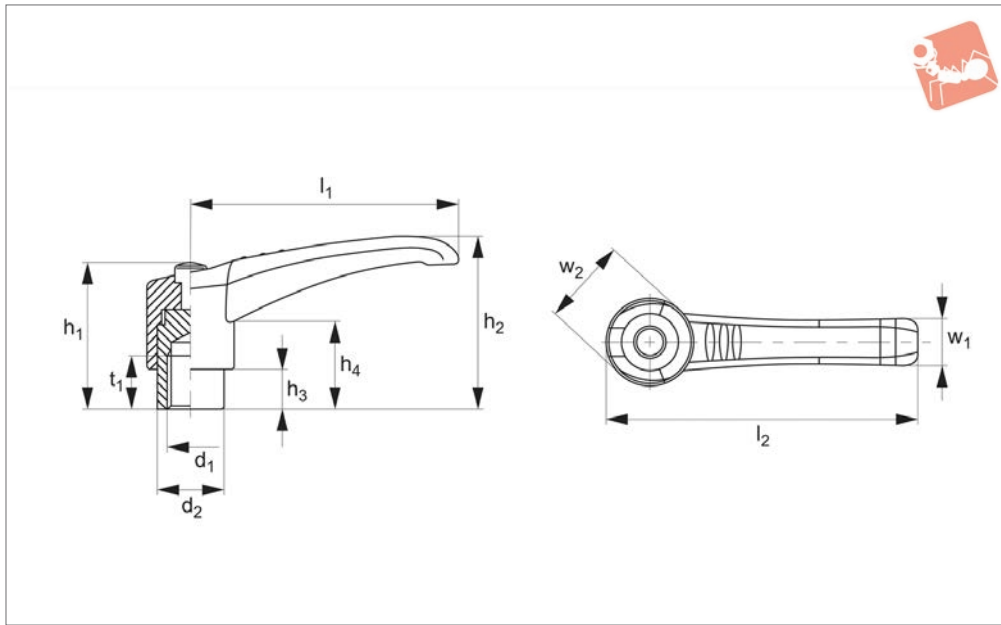




# Adjustable Clamping Levers threaded insert

## Clamping Levers



**74760**

CLAMPING LEVERS

### Material

Black, matt thermoplast, reinforced.  
Insert: zinc plated steel.

Button: black.

subject to minimum quantities.

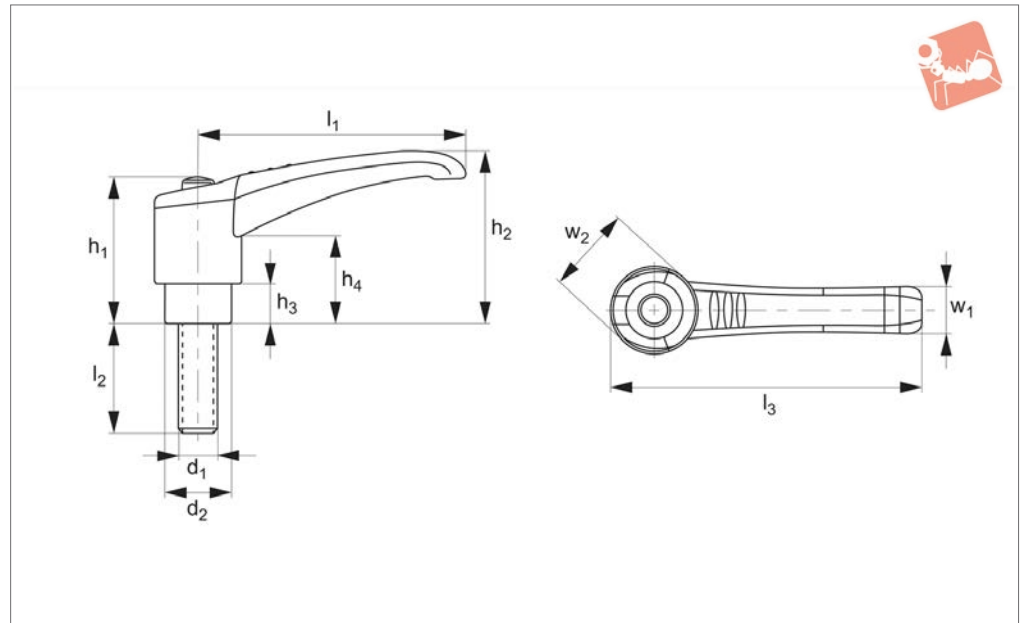
### Important Notes

Other button colours available on request

Order No.	$l_1$	$d_1$	$l_2$	$d_2$	$h_1$	$h_2$	$h_3$	$h_4$	$t_1$	$w_1$	$w_2$	Weight g
<b>74760.W0452</b>	45	M 5	53	12	30	33.5	7.5	18	8	10.5	16	22
<b>74760.W0453</b>	45	M 6	53	12	30	33.5	7.5	18	8	10.5	16	24
<b>74760.W0652</b>	65	M 6	75	15	35	41.0	7.5	19	11	13.5	20	26
<b>74760.W0653</b>	65	M 8	75	15	35	41.0	7.5	19	11	13.5	20	24
<b>74760.W0801</b>	80	M 8	92	20	45	53.0	12.0	26	16	16.5	24	55
<b>74760.W0802</b>	80	M10	92	20	45	53.0	12.0	26	16	16.5	24	56
<b>74760.W0803</b>	80	M12	92	20	45	53.0	12.0	26	16	16.5	24	57
<b>74760.W0951</b>	95	M12	108	21	50	61.0	13.0	30	22	19.0	27	83
<b>74760.W0952</b>	95	M14	108	21	50	61.0	13.0	30	22	19.0	27	94
<b>74760.W0953</b>	95	M16	108	21	50	61.0	13.0	30	22	19.0	27	89



**74780**



CLAMPING LEVERS

**Material**

Black, matt thermoplast, reinforced.  
Insert, zinc plated steel.

Button: black.

subject to minimum quantities.

**Important Notes**

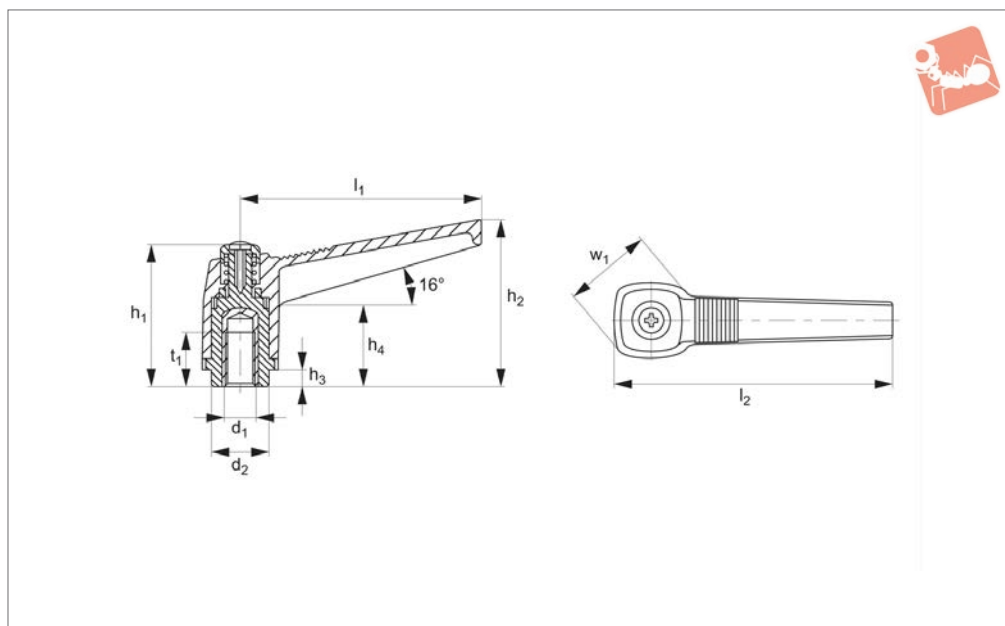
Other button colours available on request

Order No.	$l_1$	$d_1$	$l_2$	$d_2$	$h_1$	$h_2$	$h_3$	$h_4$	$l_3$	$w_1$	$w_2$	Weight g
74780.W0452	45	M 5	20	12	29	33.5	7.5	18	53	10.5	16	19
74780.W0453	45	M 5	30	12	29	33.5	7.5	18	53	10.5	16	20
74780.W0455	45	M 6	20	12	29	33.5	7.5	18	53	10.5	16	20
74780.W0651	65	M 6	20	15	34	41.0	7.5	19	75	13.5	20	30
74780.W0652	65	M 6	40	15	34	41.0	7.5	19	75	13.5	20	33
74780.W0653	65	M 8	20	15	34	41.0	7.5	19	75	13.5	20	35
74780.W0654	65	M 8	30	15	34	41.0	7.5	19	75	13.5	20	38
74780.W0655	65	M 8	40	15	34	41.0	7.5	19	75	13.5	20	44
74780.W0801	80	M 8	30	20	44	53.0	12.0	26	92	16.5	24	61
74780.W0802	80	M 8	40	20	44	53.0	12.0	26	92	16.5	24	78
74780.W0803	80	M 8	50	20	44	53.0	12.0	26	92	16.5	24	81
74780.W0804	80	M10	20	20	44	53.0	12.0	26	92	16.5	24	74
74780.W0805	80	M10	40	20	44	53.0	12.0	26	92	16.5	24	85
74780.W0806	80	M10	50	20	44	53.0	12.0	26	92	16.5	24	89
74780.W0807	80	M12	40	20	44	53.0	12.0	26	92	16.5	24	101
74780.W0808	80	M12	50	20	44	53.0	12.0	26	92	16.5	24	108
74780.W0951	95	M12	50	21	50	61.0	13.0	30	108	19.0	27	139
74780.W0952	95	M12	70	21	50	61.0	13.0	30	108	19.0	27	154
74780.W0953	95	M14	40	21	50	61.0	13.0	30	108	19.0	27	150
74780.W0954	95	M14	50	21	50	61.0	13.0	30	108	19.0	27	166
74780.W0955	95	M16	50	21	50	61.0	13.0	30	108	19.0	27	193
74780.W0956	95	M16	60	21	50	61.0	13.0	30	108	19.0	27	220



# Adjustable Clamping Levers threaded inserts

## Clamping Levers



**74800**

CLAMPING LEVERS

### Material

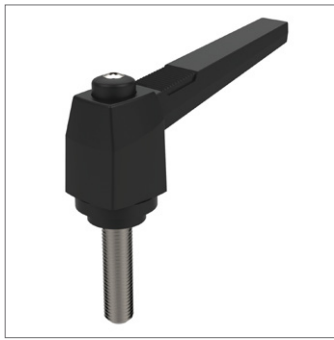
Black, matt thermoplastic, reinforced.  
Brass insert.

### Technical Notes

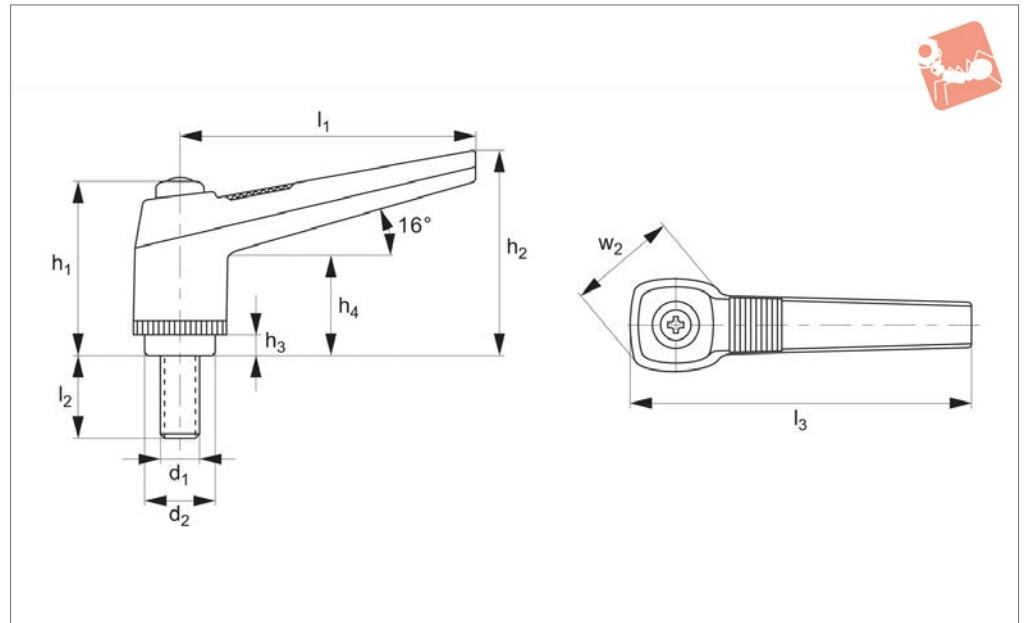
Special size and colours available on request, subject to minimum order quantity.

tity.

Order No.	$l_1$	$d_1$	$l_2$	$d_2$	$h_1$	$h_2$	$h_3$	$h_4$	$t_1$	$w_1$	Weight g
74800.W0421	42	M 4	50	12	29	32	3	17	9	19	11
74800.W0422	42	M 5	50	12	29	32	3	17	9	19	11
74800.W0423	42	M 6	50	12	29	32	3	17	9	19	11
74800.W0631	63	M 5	73	15	39	43	4	21	13	25	23
74800.W0632	63	M 6	73	15	39	43	4	21	13	25	23
74800.W0633	63	M 8	73	15	39	43	4	21	13	25	24
74800.W0801	80	M 8	92	19	48	54	6	27	15	30	44
74800.W0802	80	M10	92	19	48	54	6	27	16	30	44
74800.W0803	80	M12	92	19	48	54	6	27	18	30	45
74800.W0901	100	M12	115	25	58	66	8	30	18	36	83
74800.W0902	100	M14	115	25	58	66	8	30	20	36	84
74800.W0903	100	M16	115	25	58	66	8	30	20	36	87



**74820**



CLAMPING LEVERS

### Material

Black, thermoplastic, glass fibre reinforced. Zinc plated steel stud.

### Technical Notes

Special size and colours available on request, subject to minimum order quantity.

tity.

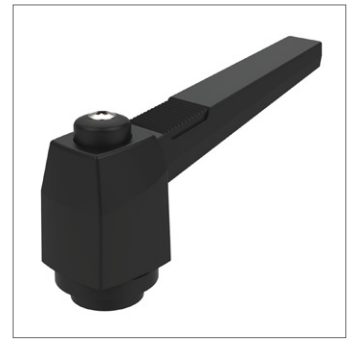
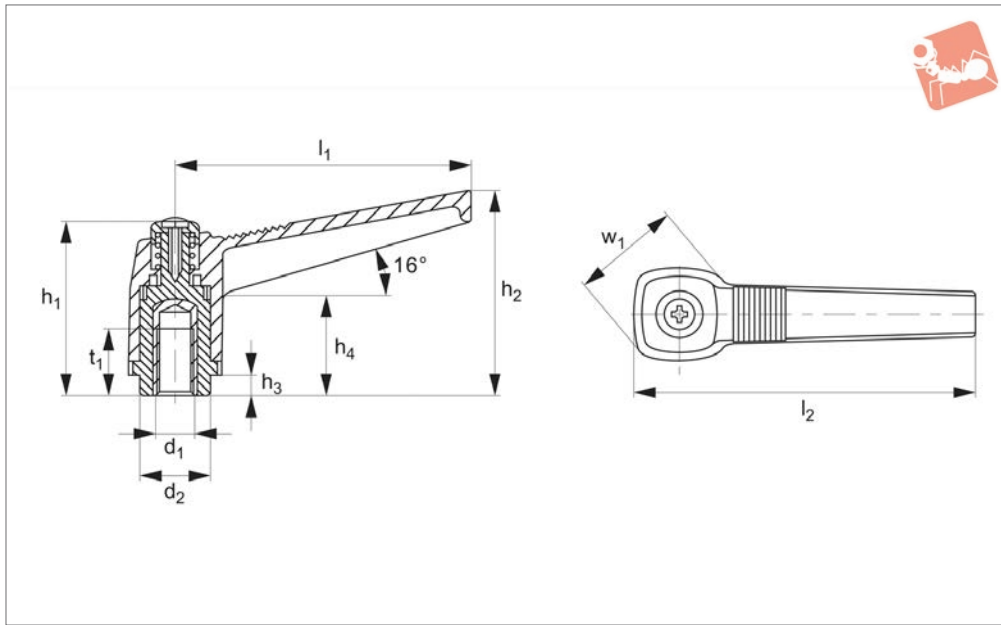
Order No.	$l_1$	$d_1$	$l_2$	$d_2$	$h_1$	$h_2$	$h_3$	$h_4$	$l_3$	$w_2$	Weight g
74820.W0541	42	M 4	20	12	29	32	3	17	50	19	11
74820.W0542	42	M 5	20	12	29	32	3	17	50	19	13
74820.W0543	42	M 5	30	12	29	32	3	17	50	19	14
74820.W0544	42	M 6	20	12	29	32	3	17	50	19	15
74820.W0545	42	M 6	30	12	29	32	3	17	50	19	16
74820.W0560	63	M 5	20	15	39	43	4	21	73	25	24
74820.W0561	63	M 6	20	15	39	43	4	21	73	25	28
74820.W0562	63	M 6	25	15	39	43	4	21	73	25	25
74820.W0563	63	M 6	40	15	39	43	4	21	73	25	31
74820.W0564	63	M 8	20	15	39	43	4	21	73	25	33
74820.W0565	63	M 8	25	15	39	43	4	21	73	25	34
74820.W0566	63	M 8	30	15	39	43	4	21	73	25	36
74820.W0567	63	M 8	40	15	39	43	4	21	73	25	38
74820.W0568	63	M 8	50	15	39	43	4	21	73	25	39
74820.W0580	80	M 8	20	19	48	54	6	27	92	30	48
74820.W0581	80	M 8	30	19	48	54	6	27	92	30	51
74820.W0582	80	M 8	40	19	48	54	6	27	92	30	55
74820.W0583	80	M 8	50	19	48	54	6	27	92	30	58
74820.W0584	80	M10	25	19	48	54	6	27	92	30	58
74820.W0585	80	M10	40	19	48	54	6	27	92	30	66
74820.W0586	80	M10	50	19	48	54	6	27	92	30	71
74820.W0587	80	M10	60	19	48	54	6	27	92	30	78
74820.W0588	80	M12	30	19	48	54	6	27	92	30	82
74820.W0589	80	M12	60	19	48	54	6	27	92	30	102
74820.W0600	100	M12	40	25	58	66	8	30	115	36	120
74820.W0601	100	M12	50	25	58	66	8	30	115	36	126
74820.W0602	100	M12	70	25	58	66	8	30	115	36	149
74820.W0603	100	M14	40	25	58	66	8	30	115	36	146
74820.W0604	100	M14	50	25	58	66	8	30	115	36	162
74820.W0605	100	M14	70	25	58	66	8	30	115	36	181
74820.W0606	100	M16	40	25	58	66	8	30	115	36	170
74820.W0607	100	M16	50	25	58	66	8	30	115	36	184
74820.W0608	100	M16	70	25	58	66	8	30	115	36	210



# Adjustable Clamping Levers

threaded insert, **stainless steel** insert

## Clamping Levers



**74830**

CLAMPING LEVERS

### Material

Black, matt thermoplastic, reinforced.  
Stainless steel insert.

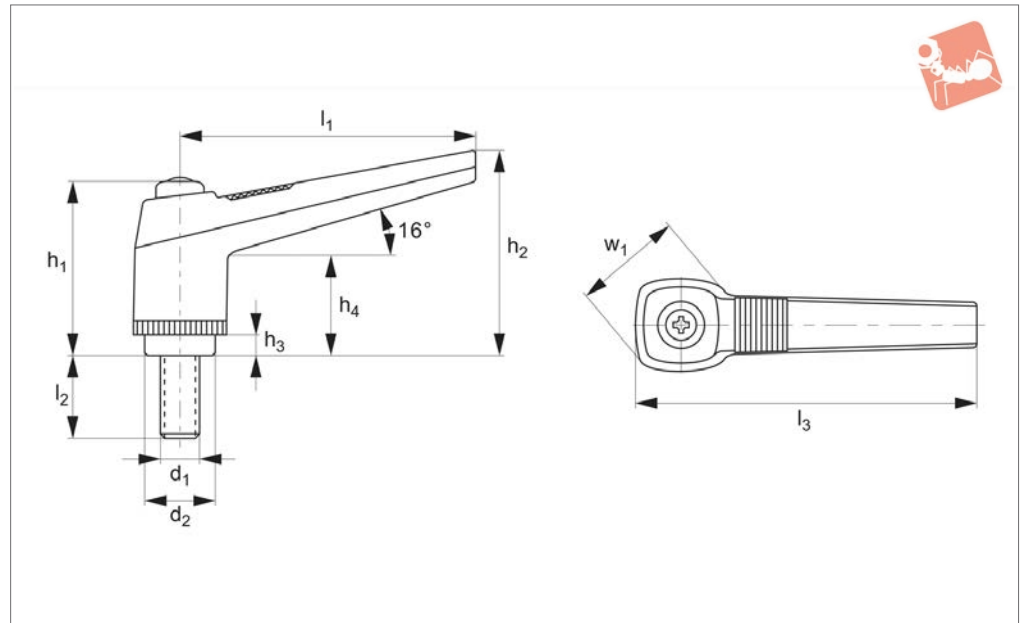
### Technical Notes

For certain minimum quantities, colours  
are available on request.

Order No.	$l_1$	$d_1$	$l_2$	$d_2$	$h_1$	$h_2$	$h_3$	$h_4$	$t_1$	$w_1$	Weight g
<b>74830.W0423</b>	42	M 6	50	12	29	32	3	17	9	19	11
<b>74830.W0633</b>	63	M 8	73	15	39	43	4	21	13	25	24
<b>74830.W0802</b>	80	M10	92	19	48	54	6	27	16	30	44



**74840**



### Material

Black, matt thermoplastic with stainless steel thread AISI 303 (1.4305).

### Technical Notes

Special colours available on request, subject to minimum order quantity.

Order No.	$l_1$	$d_1$	$l_2$	$d_2$	$h_1$	$h_2$	$h_3$	$h_4$	$l_3$	$w_1$	Weight g
74840.W0420	42	M 6	20	12	29	32	3	17	50	19	15
74840.W0430	42	M 6	30	12	29	32	3	17	50	19	16
74840.W0620	63	M 8	20	15	39	43	4	21	73	25	33
74840.W0625	63	M 8	25	15	39	43	4	21	73	25	34
74840.W0630	63	M 8	30	15	39	43	4	21	73	25	36
74840.W0825	80	M10	25	19	48	54	6	27	92	30	58
74840.W0830	80	M10	30	19	48	54	6	27	92	30	61