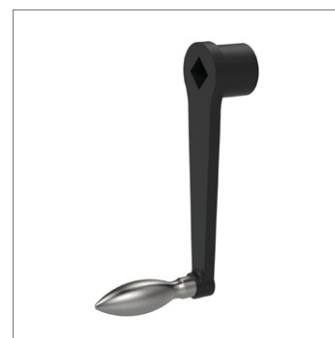
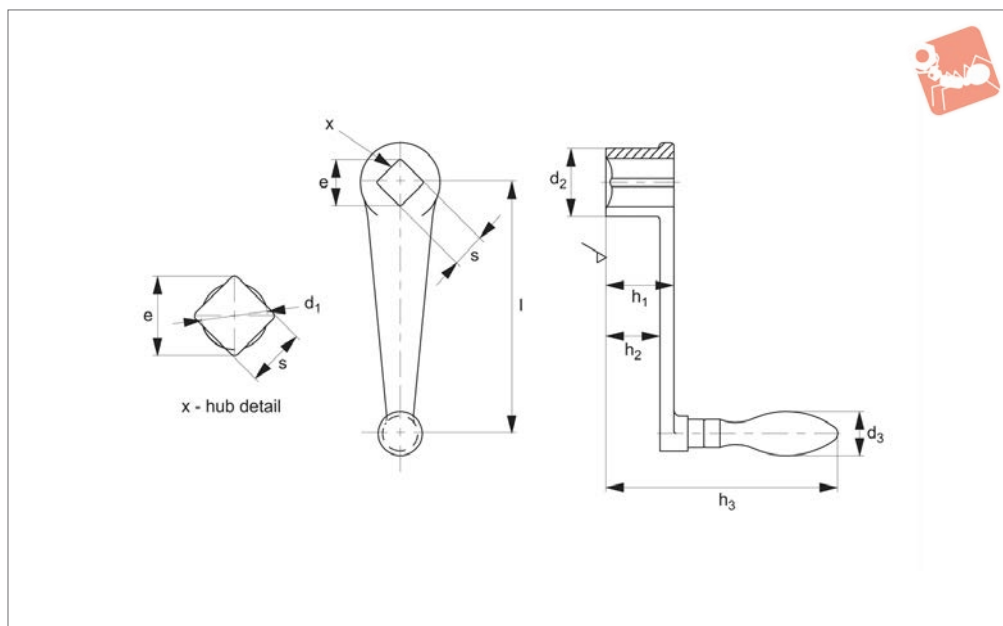


Cranked Handles

straight - DIN 469



75200

CRANKED & REVOLVING HANDLES

Material

Size 63 - malleable cast iron.

Size 80-250 - nodular cast iron.

Deburred, sand blasted and black plastic

coated.

Handle body: cast iron (GTW), plastic coated, black.

For corresponding handle details see

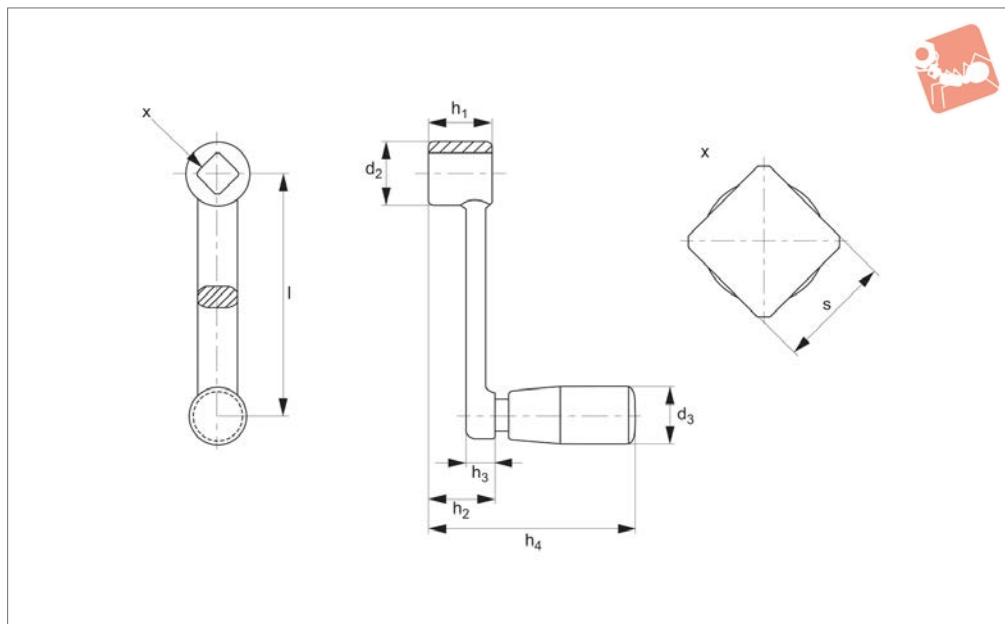
no.75060 (non-removable).

Hub-machined, with square bore details to DIN 79.

Order No.	Finish	Size l	s tol. H11	e min.	d ₁	d ₂	h ₁	h ₂ ≈	h ₃	Corresp. handle dia. d ₃	Weight g
75200.W0006	Fixed Handle	63	10	13.1	10.5	20	20	15	74	16	109
75200.W0008	Fixed Handle	80	10	13.1	10.5	24	24	18	94	18	183
75200.W0010	Fixed Handle	100	12	16.1	12.6	28	28	21	98	20	278
75200.W0012	Fixed Handle	125	14	18.1	14.7	34	34	26	120	22	444
75200.W0016	Fixed Handle	160	17	22.2	17.9	38	38	29	122	25	649
75200.W0020	Fixed Handle	200	19	25.2	20.0	44	44	34	154	28	962
75200.W0025	Fixed Handle	250	22	28.2	23.1	48	48	36	157	32	1360
75200.W0108	Fixed Handle	80	12	16.1	12.6	24	24	18	94	18	186
75200.W0110	Fixed Handle	100	14	18.1	14.7	28	28	21	98	20	259
75200.W0112	Fixed Handle	125	17	22.2	17.9	34	34	26	120	22	433
75200.W0116	Fixed Handle	160	19	25.2	20.0	38	38	29	122	25	633
75200.W0120	Fixed Handle	200	22	28.2	23.1	44	44	34	154	28	983
75200.W0125	Fixed Handle	250	24	32.2	25.3	48	48	36	157	32	1351
75200.W0506	Rotating Handle	63	10	13.1	10.5	20	20	15	79	16	118
75200.W0508	Rotating Handle	80	10	13.1	10.5	24	24	18	97	18	194
75200.W0510	Rotating Handle	100	12	16.1	12.6	28	28	21	100	20	272
75200.W0512	Rotating Handle	125	14	18.1	14.7	34	34	26	122	22	468
75200.W0516	Rotating Handle	160	17	22.2	17.9	38	38	29	126	25	667
75200.W0520	Rotating Handle	200	19	25.2	20.0	44	44	34	160	28	1054
75200.W0525	Rotating Handle	250	22	28.2	23.1	48	48	36	162	32	1441
75200.W0608	Rotating Handle	80	12	16.1	12.6	24	24	18	97	18	197
75200.W0610	Rotating Handle	100	14	18.1	14.7	28	28	21	100	20	280
75200.W0612	Rotating Handle	125	17	22.2	17.9	34	34	26	122	22	433
75200.W0616	Rotating Handle	160	19	25.2	20.0	38	38	29	126	25	651
75200.W0620	Rotating Handle	200	22	28.2	23.1	44	44	34	160	28	992
75200.W0625	Rotating Handle	250	24	32.2	25.3	48	48	36	162	32	1409



75202



Material

Handle body: stainless steel 1.4308.

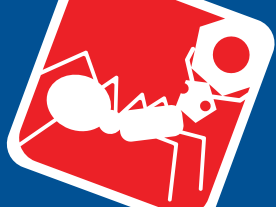
Cylindrical handle: Thermoset PF 31, black.

Axe part: stainless steel 1.4301.

Technical Notes

Flat side of the hub is machined.

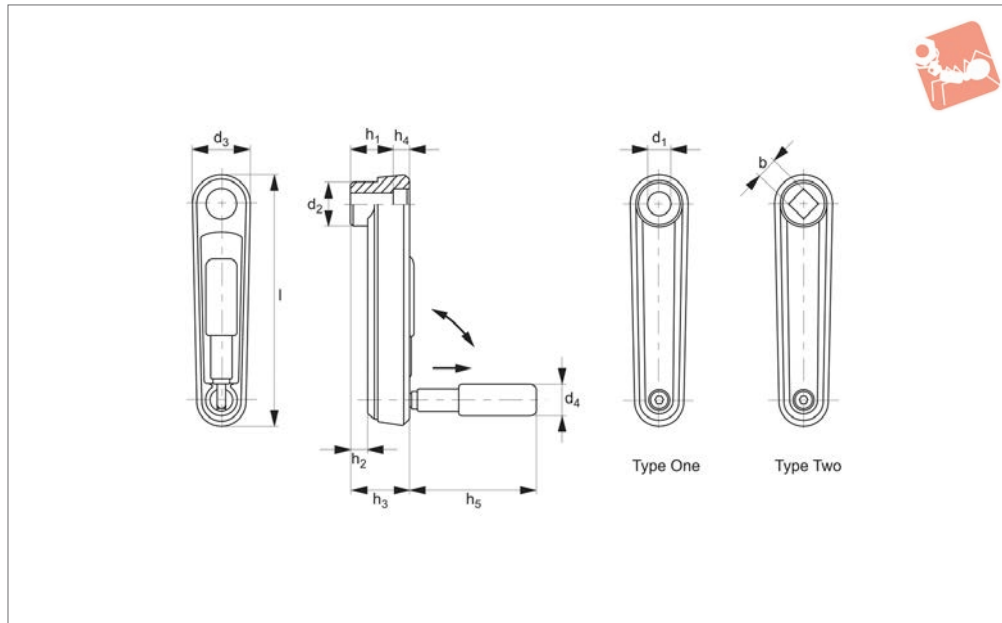
Order No.	l	s tol. H11	d ₂	d ₃ cylinder-grip 75120	h ₁	h ₂ ≈	h ₃	h ₄ ≈	Weight g
75202.W0520	80	10	22	18	22	15.4	6.6	57.9	124
75202.W0530	100	12	22	21	26	17.7	8.3	70.2	187
75202.W0540	125	14	28	23	28	18.8	9.2	86.3	320
75202.W0550	160	17	32	23	32	22.6	9.4	90.1	370



Cranked Handles

folding handle

Cranked & Revolving



75210

CRANKED & REVOLVING HANDLES

Material

Axle: Steel, blackened.

Cover: plastic, grey.

Body: Aluminium, plastic coated, structural matt.

Silver - similar RAL 9006

Black - similar RAL9005

Handle: Plastic, black matt.

Technical Notes

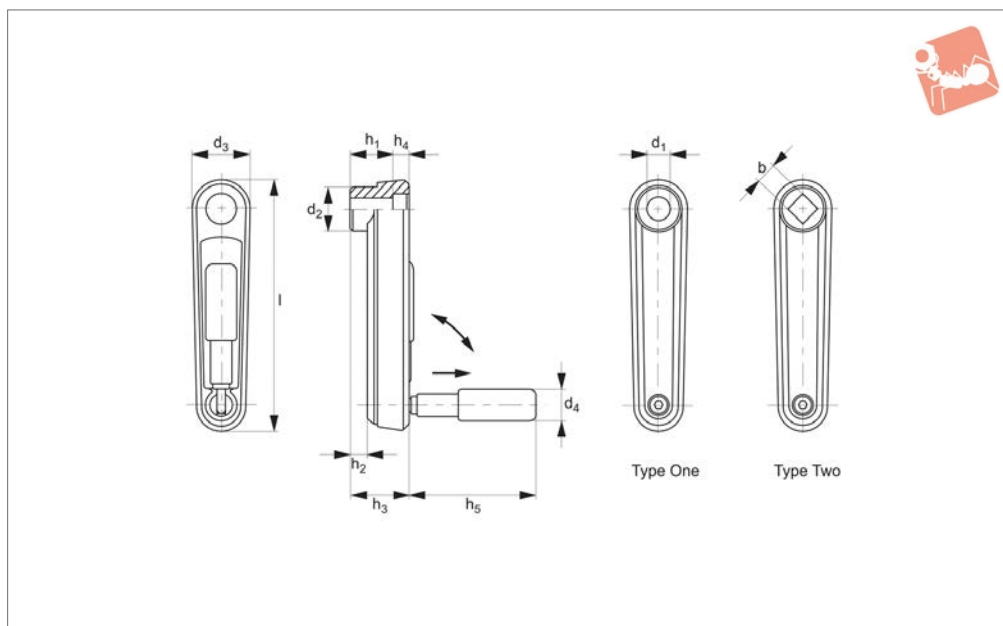
Operating: Handle is locked in position.

To store: Pull handle along axis and lift into locked position.

Order No.	Type, colour	b tol. H11	d ₁ tol. H7	d ₂	d ₃	d ₄ dia.	h ₁	h ₂	h ₃	h ₄	h ₅	Weight g
75210.W0005	One, silver	-	10	23.0	30	16	19.5	4.0	25.5	4.3	43.0	131
75210.W0010	One, silver	-	12	26.7	35	18	23.5	5.5	29.5	4.2	57.5	180
75210.W0015	One, silver	-	14	28.0	37	24	30.5	10.5	36.5	4.2	76.5	305
75210.W0105	One, black	-	10	23.0	30	16	19.5	4.0	25.5	4.3	43.0	131
75210.W0110	One, black	-	12	26.7	35	18	23.5	5.5	29.5	4.2	57.5	180
75210.W0115	One, black	-	14	28.0	37	24	30.5	10.5	36.5	4.2	76.5	305
75210.W0205	Two, silver	10	-	23.0	30	16	19.5	4.0	25.5	4.3	43.0	131
75210.W0210	Two, silver	12	-	26.7	35	18	23.5	5.5	29.5	4.2	57.5	180
75210.W0215	Two, silver	14	-	28.0	37	24	30.5	10.5	36.5	4.2	76.5	280
75210.W0305	Two, black	10	-	23.0	30	16	19.5	4.0	25.5	4.3	43.0	131
75210.W0310	Two, black	12	-	26.7	35	18	23.5	5.5	29.5	4.2	57.5	180
75210.W0315	Two, black	14	-	28.0	37	24	30.5	10.5	36.5	4.2	76.5	280



75212



Material

Axle: Stainless steel 1.4305.

Cover: plastic, grey.

Body: Aluminium, plastic coated, structural matt.

Silver - similar RAL 9006

Black - similar RAL9005

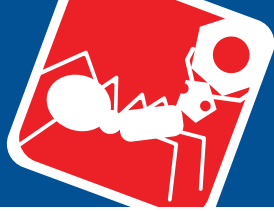
Handle: Plastic, black matt.

Technical Notes

Operating: Handle is locked in position.

To store: Pull handle along axis and lift into locked position.

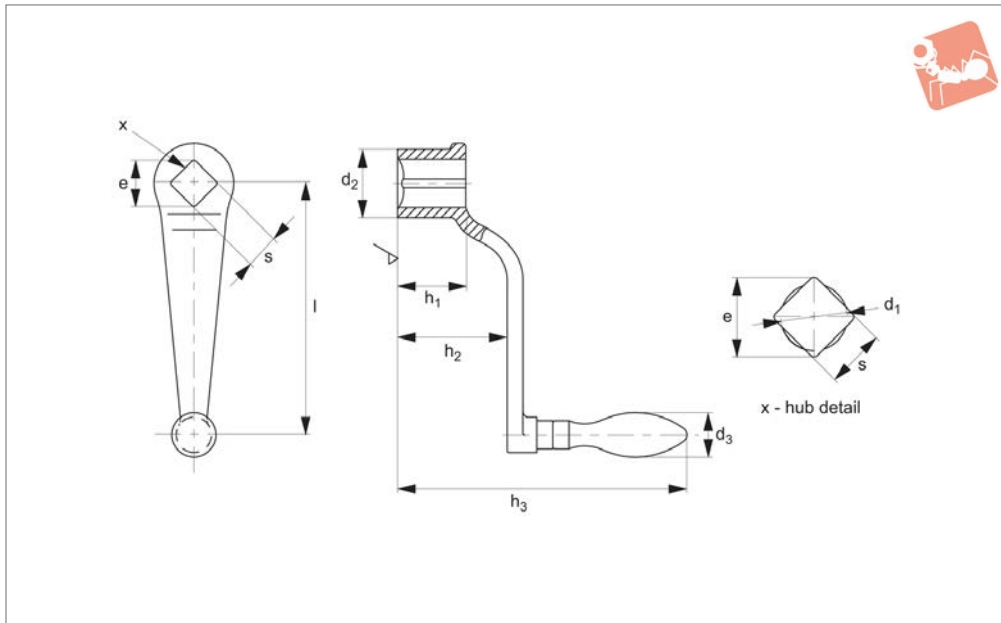
Order No.	Type, colour	b tol. H11	d_1 tol. H7	d_2	d_3	d_4 dia.	h_1	h_2	h_3	h_4	h_5	Weight g
75212.W0405	One, silver	-	10	23.0	30	16	19.5	4.0	25.5	4.3	43.0	118
75212.W0410	One, silver	-	12	26.7	35	18	23.5	5.5	29.5	4.2	57.5	197
75212.W0415	One, silver	-	14	28.0	37	24	30.5	10.5	36.5	4.2	76.5	283
75212.W0505	One, black	-	10	23.0	30	16	19.5	4.0	25.5	4.3	43.0	118
75212.W0510	One, black	-	12	26.7	35	18	23.5	5.5	29.5	4.2	57.5	197
75212.W0515	One, black	-	14	28.0	37	24	30.5	10.5	36.5	4.2	76.5	283
75212.W0605	Two, silver	10	-	23.0	30	16	19.5	4.0	25.5	4.3	43.0	118
75212.W0606	Two, silver	12	-	26.7	35	18	23.5	5.5	29.5	4.2	57.5	197
75212.W0607	Two, silver	14	-	28.0	37	24	30.5	10.5	36.5	4.2	76.5	283
75212.W0705	Two, black	10	-	23.0	30	16	19.5	4.0	25.5	4.3	43.0	118
75212.W0710	Two, black	12	-	26.7	35	18	23.5	5.5	29.5	4.2	57.5	197
75212.W0715	Two, black	14	-	28.0	37	24	30.5	10.5	36.5	4.2	76.5	283



Cranked Handles

offset - DIN 468

Cranked & Revolving



75220

CRANKED & REVOLVING HANDLES

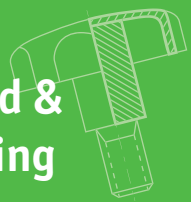
Material

Size 63 - malleable cast iron.
 Size 80-250 - nodular cast iron.
 Deburred, sand blasted and black plastic

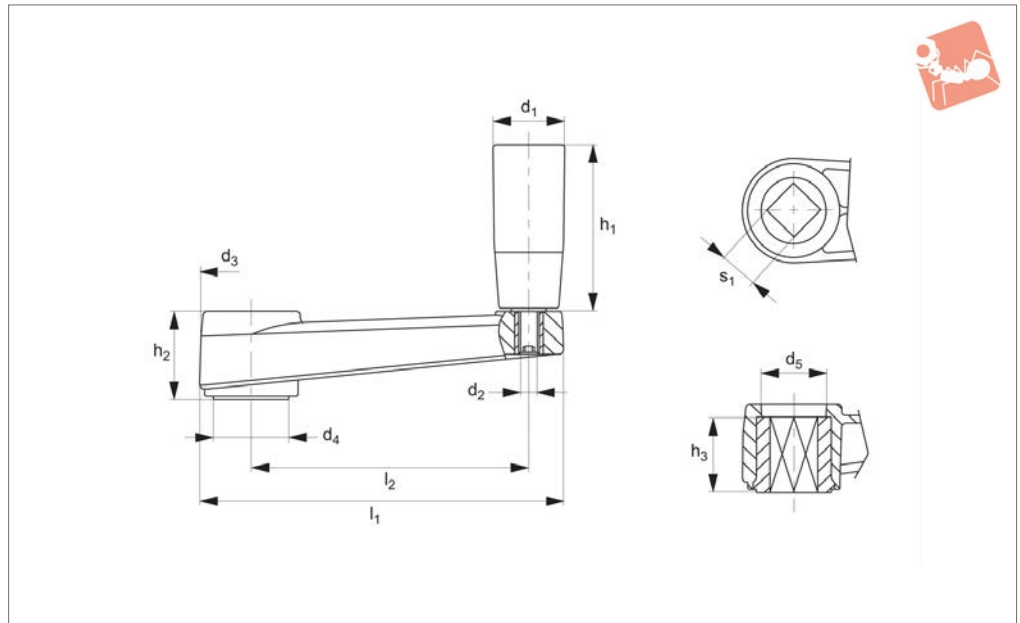
coated.
 Handle body: cast iron (GTW), plastic coated, black.
 For corresponding handle details see

no.75060 (non-removable).
 Hub-machined, with square bore details to DIN 79.

Order No.	Finish	Size l	s tol. H11	e min.	d ₁	d ₂	h ₁	h ₂ ≈	h ₃	Corresp. handle dia. d ₃	Weight g
75220.W0006	Fixed Handle	63	10	13.1	10.5	20	20	32	92	16	112
75220.W0008	Fixed Handle	80	10	13.1	10.5	24	24	38	114	18	187
75220.W0010	Fixed Handle	100	12	16.1	12.6	28	28	48	124	20	288
75220.W0012	Fixed Handle	125	14	18.1	14.7	34	34	55	148	22	460
75220.W0016	Fixed Handle	160	17	22.2	17.9	38	38	65	158	25	661
75220.W0020	Fixed Handle	200	19	25.2	20.0	44	44	78	197	28	1020
75220.W0025	Fixed Handle	250	22	28.2	23.1	48	48	90	209	32	1438
75220.W0108	Fixed Handle	80	12	16.1	12.6	24	24	38	114	18	183
75220.W0110	Fixed Handle	100	14	18.1	14.7	28	28	48	124	20	292
75220.W0112	Fixed Handle	125	17	22.2	17.9	34	34	55	148	22	439
75220.W0116	Fixed Handle	160	19	25.2	20.0	38	38	65	158	25	627
75220.W0120	Fixed Handle	200	22	28.2	23.1	44	44	78	197	28	1004
75220.W0125	Fixed Handle	250	24	32.2	25.3	48	48	90	209	32	1415
75220.W0130	Fixed Handle	315	24	32.2	25.3	54	54	105	192	36	2200
75220.W0132	Fixed Handle	315	27	36.2	28.4	54	54	105	192	36	2100
75220.W0506	Rotating Handle	63	10	13.1	10.5	20	20	32	96	16	118
75220.W0508	Rotating Handle	80	10	13.1	10.5	24	24	38	116	18	201
75220.W0510	Rotating Handle	100	12	16.1	12.6	28	28	48	126	20	310
75220.W0512	Rotating Handle	125	14	18.1	14.7	34	34	55	150	22	464
75220.W0516	Rotating Handle	160	17	22.2	17.9	38	38	65	160	25	674
75220.W0520	Rotating Handle	200	19	25.2	20.0	44	44	78	202	28	1083
75220.W0525	Rotating Handle	250	22	28.2	23.1	48	48	90	214	32	1497
75220.W0608	Rotating Handle	80	12	16.1	12.6	24	24	38	116	18	200
75220.W0610	Rotating Handle	100	14	18.1	14.7	28	28	48	126	20	291
75220.W0612	Rotating Handle	125	17	22.2	17.9	34	34	55	150	22	455
75220.W0616	Rotating Handle	160	19	25.2	20.0	38	38	65	160	25	664
75220.W0620	Rotating Handle	200	22	28.2	23.1	44	44	78	202	28	1034
75220.W0625	Rotating Handle	250	24	32.2	25.3	48	48	90	214	32	1478
75220.W0630	Rotating Handle	315	24	32.2	25.3	54	54	105	186	36	2220
75220.W0632	Rotating	315	27	36.2	28.4	54	54	105	186	36	2200



75240



Material

Thermoplastic, black, matt. Glass fibre reinforced. Revolving handle.
Revolving grip: duroplast, black.

Handle arm: thermoplastic, black matte.

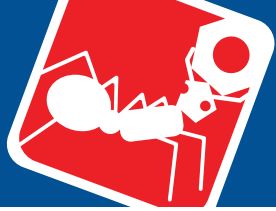
Technical Notes

Special inch and metric bars, keyways, set

screw holes etc. available on request.

Corresponding machine handles are part number 75120.

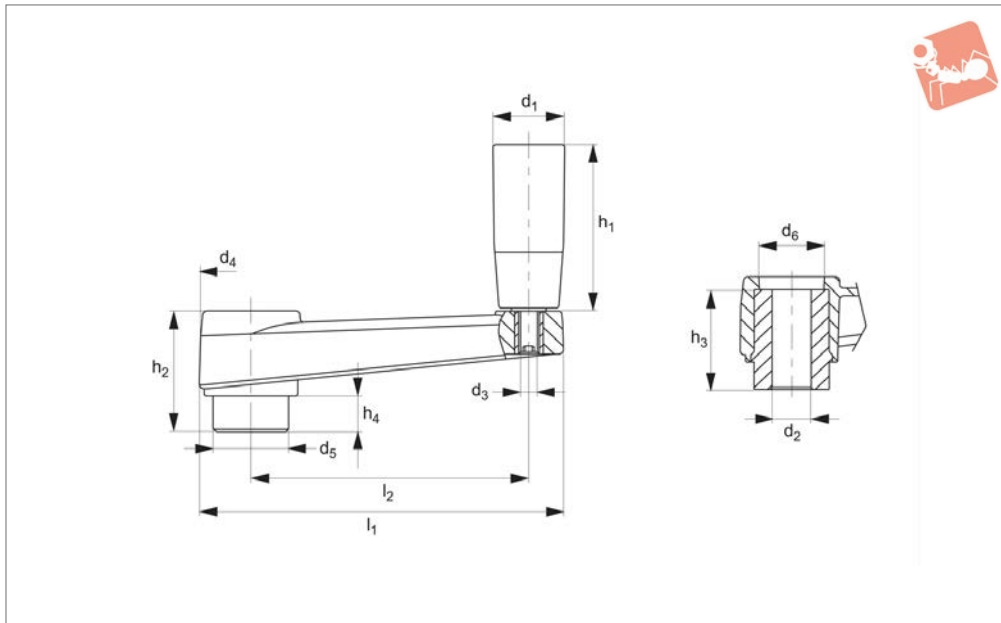
Order No.	d ₁	d ₂	d ₃	d ₄	d ₅	h ₁	h ₂	h ₃	l ₁	l ₂	s ₁	Weight g
75240.W0065	17	M 6	27	18	16	40	23	20	87	65	8x8	77
75240.W0080	21	M 6	30	22	19	50	26	22	105	80	10x10	120
75240.W0100	25	M 8	34	24	22	65	30	27	128	100	12x12	293
75240.W0130	28	M 8	40	28	25	85	35	30	162	130	14x14	236
75240.W0160	28	M10	45	34	28	85	40	34	196	160	17x17	369



Cranked Handles with rotating grip



Cranked & Revolving



75260

CRANKED & REVOLVING HANDLES

Material

Thermoplast, black, matt. Glass fibre reinforced.

Revolving grip: duroplast, black.

Handle arm: thermoplast, black matte.

Technical Notes

Special inch and metric bars, keyways, set

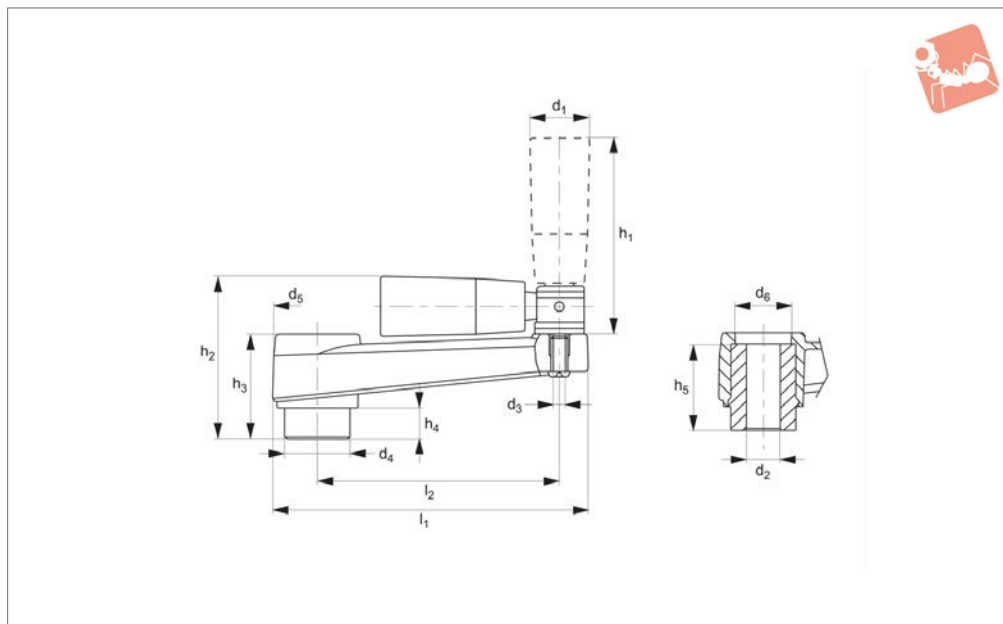
screw holes etc. available on request.

Circular bore.

Order No.	d ₁	d ₂	d ₃	d ₄	d ₅	d ₆	h ₁	h ₂	h ₃	h ₄	l ₁	l ₂	Weight g
75260.W0065	10	8	M 6	27	18	16	40	33	30	17	87	65	92
75260.W0080	10	10	M 6	30	22	19	50	36	32	21	105	80	144
75260.W0100	10	12	M 8	34	24	22	65	40	37	25	128	100	232
75260.W0130	14	14	M 8	40	28	25	85	49	44	28	162	130	327
75260.W0160	15	16	M10	45	34	28	85	55	49	28	196	160	510



75280



Material

Thermoplastic, black, matt. Glass fibre reinforced. Fold-away revolving handle. Revolving grip: duroplast, black.

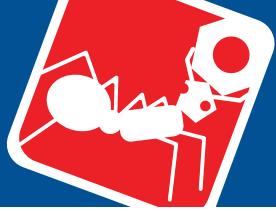
Handle arm: thermoplastic, black matte.

screw holes etc available on request. Circular bore.

Technical Notes

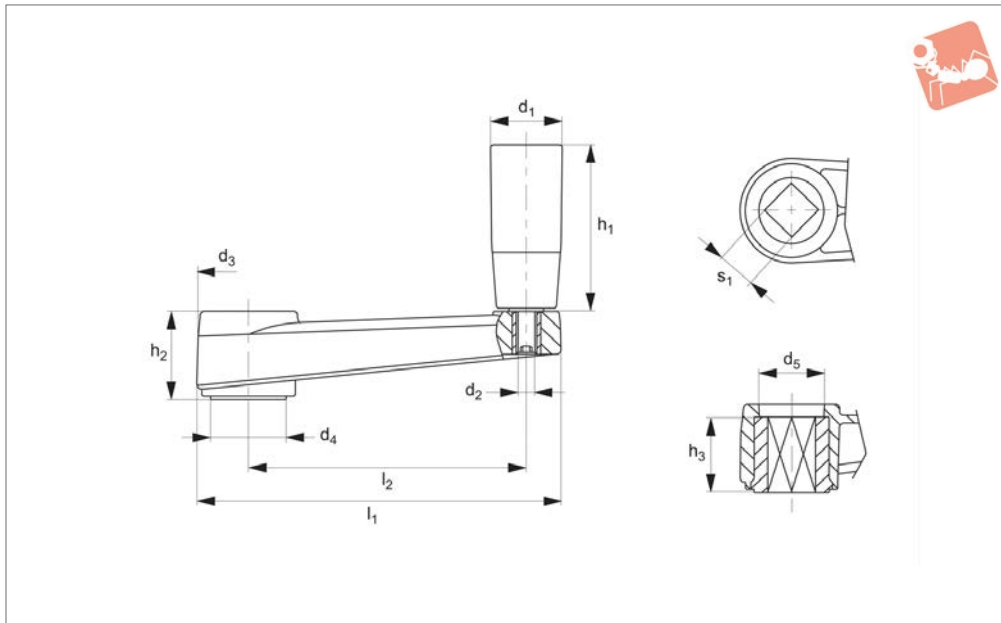
Special inch and metric bars, keyways, set

Order No.	d ₁	d ₂	d ₃	d ₄	d ₅	d ₆	h ₁	h ₂	h ₃	h ₄	h ₅	l ₁	l ₂	Weight g
75280.W0080	10	10	M 5	22	30	19	50	55	36	21	32	105	80	166
75280.W0100	10	12	M 6	24	34	22	70	65	40	23	37	128	100	241
75280.W0130	14	14	M 6	28	40	25	70	76	49	23	44	162	130	335
75280.W0160	15	16	M 6	34	45	28	90	87	55	26	49	196	160	529



Cranked Handles with rotating grip

Cranked & Revolving



75340

CRANKED & REVOLVING HANDLES

Material

Thermoplastic, black, matt. Glass fibre reinforced. Revolving handle.
Revolving grip and handle arm: thermopla-

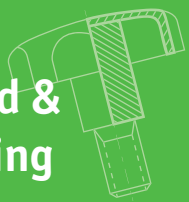
stic, black matte.

screw holes etc. available upon request.

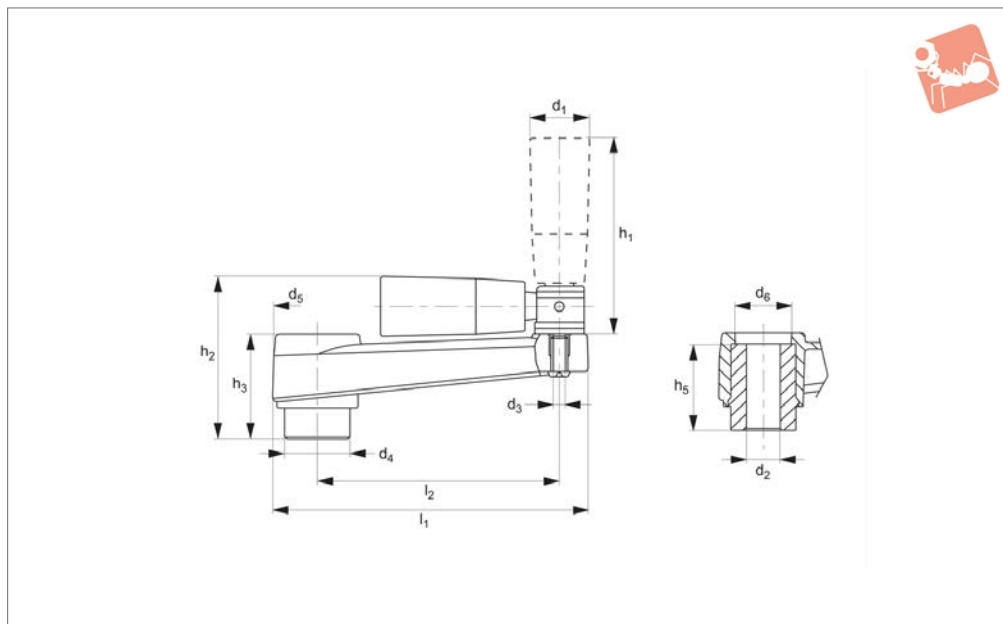
Technical Notes

Special inch and metric bores, keyways, set

Order No.	d ₁	d ₂	d ₃	d ₄	d ₅	h ₁	h ₂	h ₃	l ₁	l ₂	s ₁	Weight g
75340.W0065	21	M 6	27	18	16	50	23	20	87	65	8x8	78
75340.W0080	21	M 6	30	22	19	50	26	22	105	80	10x10	102
75340.W0100	23	M 8	34	24	22	70	30	27	128	100	12x12	167
75340.W0130	26	M 8	40	28	25	90	35	30	162	130	14x14	236
75340.W0160	26	M10	45	34	28	90	40	34	196	160	17x17	367



75360



Material

Thermoplastic, black matt. Glass fibre reinforced. With fold-away revolving grip. Revolving grip and handle arm: thermo-

plast, black matte.

Technical Notes

Circular bore.

Tips

Fold-away grip can be retracted after use to ensure safety or where space is limited.

Order No.	d ₁	d ₂	d ₃	d ₄	d ₅	d ₆	h ₁	h ₂	h ₃	h ₅	l ₁	l ₂	Weight g
75360.W0080	10	10	M 5	22	30	19	50	63	36	32	105	80	125
75360.W0100	10	12	M 6	24	34	22	70	72	40	37	128	100	220
75360.W0130	14	14	M 6	28	40	25	70	83	49	44	162	130	312
75360.W0160	15	16	M 6	34	45	28	90	93	55	49	196	160	518