

75010

CRANKED & REVOLVING HANDLES

Material

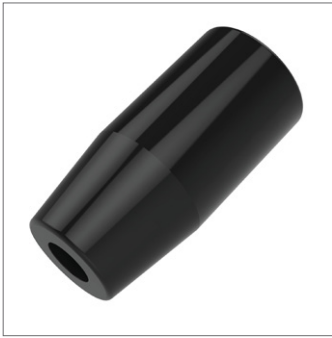
Duroplast, black, moulded thread.

request, subject to minimum order quantity.

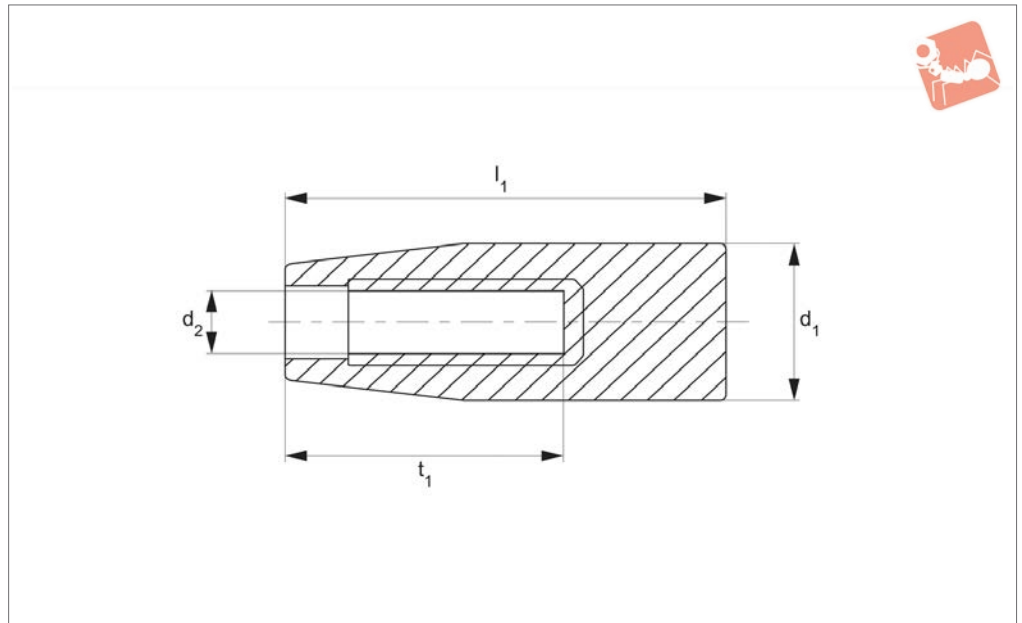
Technical Notes

Special sizes and colours available on

Order No.	d ₁	d ₂	l ₁	t ₁	Weight g
75010.W0013	13	M 5	27	14	4
75010.W0014	13	M 6	27	14	4
75010.W0017	17	M 6	40	20	9
75010.W0018	17	M 8	40	25	8
75010.W0021	21	M 6	50	25	20
75010.W0022	21	M 8	50	25	19
75010.W0023	21	M10	50	25	18
75010.W0025	25	M 8	65	30	36
75010.W0026	25	M10	65	30	35
75010.W0027	25	M12	65	30	34
75010.W0028	28	M 8	85	40	61
75010.W0029	28	M10	85	40	59
75010.W0030	28	M12	85	40	56
75010.W0031	28	M14	85	40	52



75012



Material

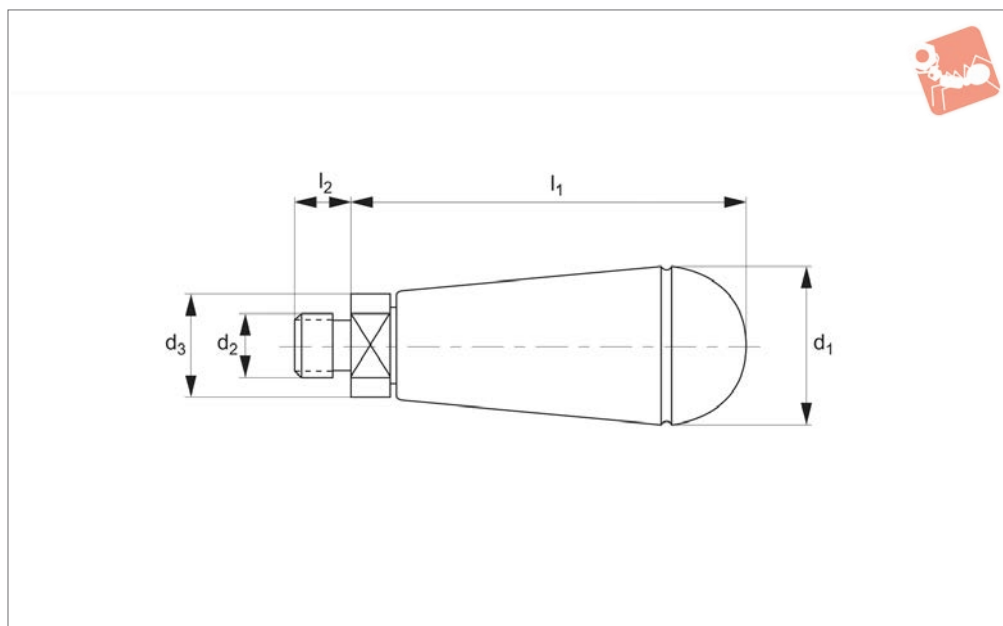
Phenolic plastic, black.

request, subject to minimum order quantity.

Technical Notes

Special sizes and colours available on

Order No.	d ₁	d ₂	l ₁	t ₁	Weight g
75012.W1705	17	5	40	21	9
75012.W1706	17	6	40	21	9
75012.W2108	21	8	50	28	20
75012.W2110	21	10	50	28	18
75012.W2308	23	8	55	28	27
75012.W2310	23	10	55	28	25
75012.W2510	25	10	65	30	36
75012.W2512	25	12	65	30	35
75012.W2812	28	12	85	45	58
75012.W2814	28	14	85	45	55
75012.W2912	29	12	115	45	89
75012.W2914	29	14	115	45	84



75020

CRANKED & REVOLVING HANDLES

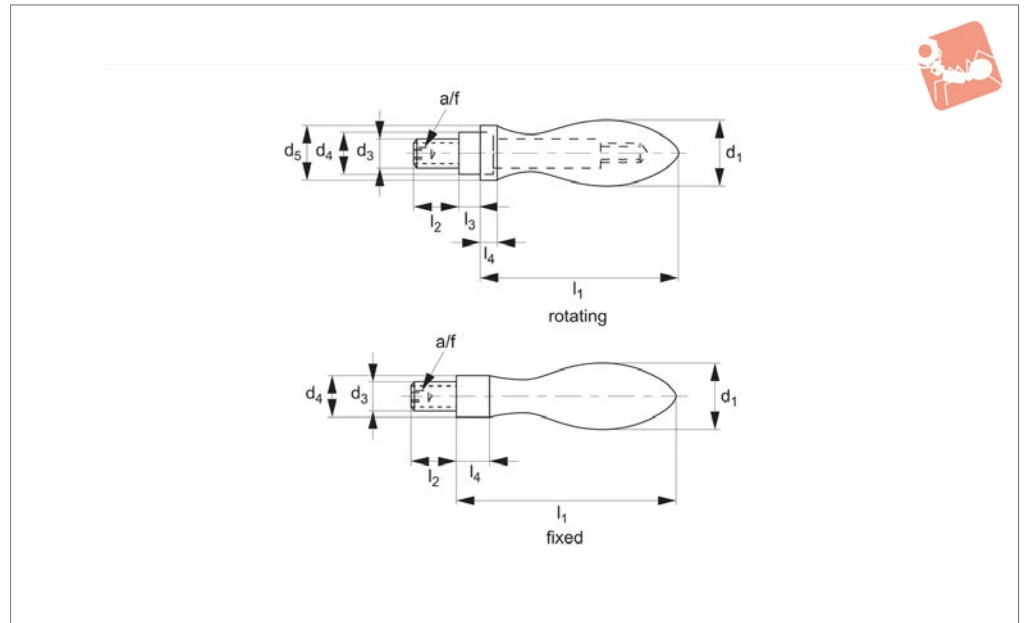
Material

Black, duroplast, with zinc plated steel stud.

Order No.	d ₁	d ₂	d ₃	l ₁	l ₂	Weight g
75020.W0025	25	M 8	16	61	10	52
75020.W0026	25	M10	16	61	10	55
75020.W0032	32	M10	20	75	13	110
75020.W0033	32	M12	20	75	13	114



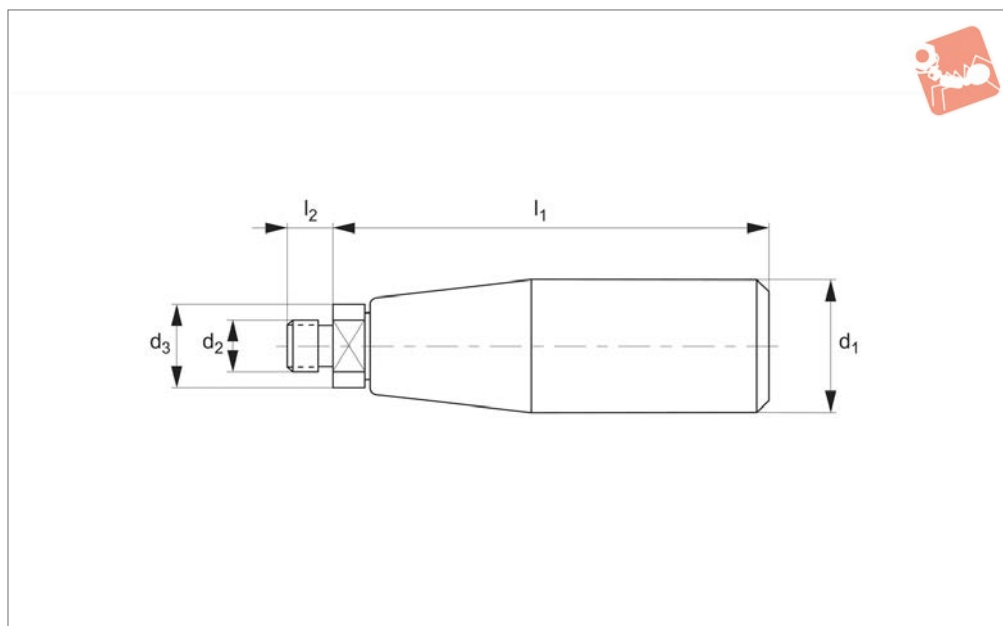
75060



Material

Steel, turned, zinc coated by galvanization, passivated.

Order No.	Type	d ₁	d ₃	d ₄ tol. H13	d ₅	l ₁ ≈	l ₂	l ₃	l ₄	A/F	Weight g
75060.W0116	Rotating	16	M 6	10	14	49	11	5.5	5.0	3	51
75060.W0120	Rotating	20	M 8	13	18	61	13	6.0	6.0	4	101
75060.W0125	Rotating	25	M10	16	21	75	14	8.0	6.5	5	193
75060.W0132	Rotating	32	M12	20	26	95	21	10.5	8.0	6	387
75060.W0136	Rotating	36	M16	22	29	106	26	11.0	9.0	8	566
75060.W0216	Fixed	16	M 6	10	-	50	11	-	7.0	3	43
75060.W0220	Fixed	20	M 8	13	-	64	13	-	8.0	4	88
75060.W0225	Fixed	25	M10	16	-	80	14	-	10.0	5	175
75060.W0232	Fixed	32	M12	20	-	100	21	-	13.0	6	346
75060.W0236	Fixed	36	M16	22	-	112	26	-	14.0	8	509
75060.W0316	Stainless	16	M 6	10	-	50	11	-	7.0	-	45
75060.W0320	Stainless	20	M 8	13	-	64	13	-	8.0	-	92
75060.W0325	Stainless	25	M10	16	-	80	14	-	10.0	-	186



75100

CRANKED & REVOLVING HANDLES

Material

Black, duroplast. Zinc plated steel stud.

request, subject to minimum order quantity.

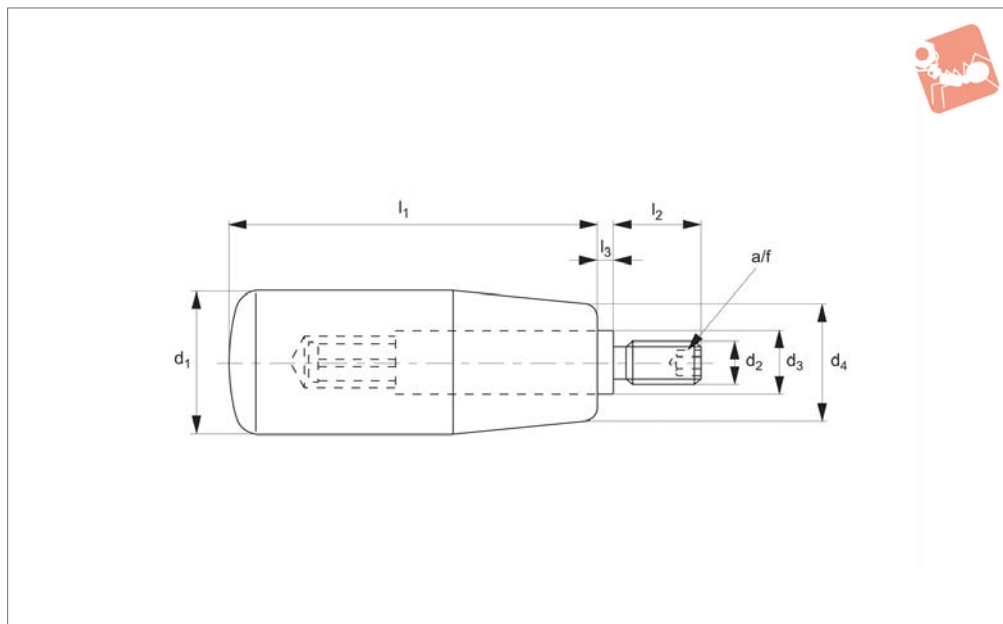
Technical Notes

Special sizes and colours available on

Order No.	d ₁	d ₂	d ₃	l ₁	l ₂
75100.W0117	17	M_6	12	45	8
75100.W0118	17	M_8	12	45	8
75100.W0121	21	M_8	16	56	10
75100.W0122	21	M10	16	56	10
75100.W0125	25	M_8	18	71	13
75100.W0126	25	M10	18	71	13
75100.W0128	28	M10	20	92	13
75100.W0129	28	M12	20	92	13



75120



Material

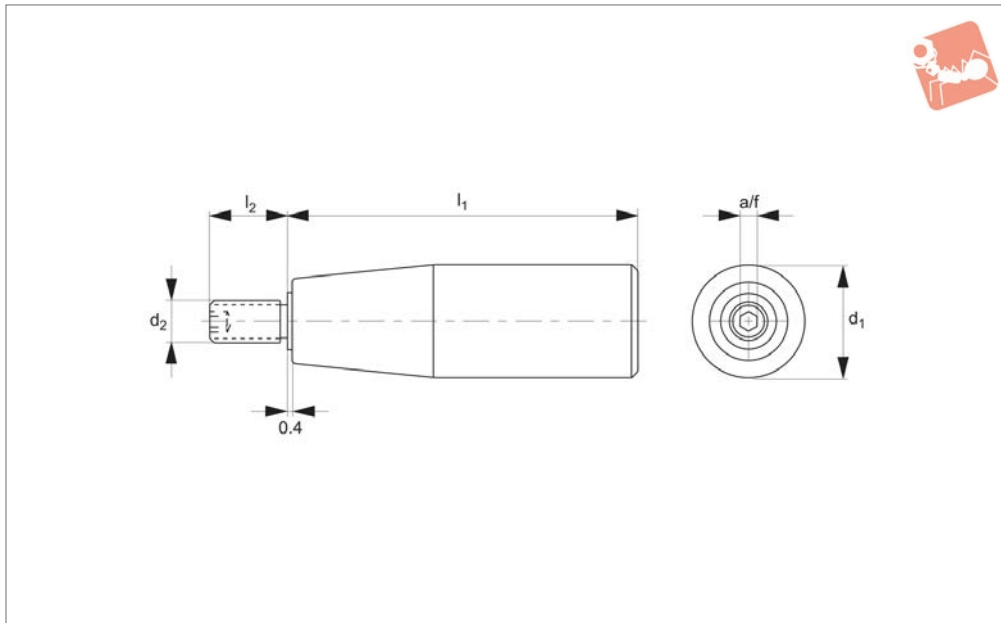
Grip: duroplast PF 31, black matte. 75120.
W0014 - Thermoplastic (PA).

Stud & housing: steel, galvanised.

Technical Notes

Temperature range up to 80°C.

Order No.	d ₁	d ₂	d ₃	d ₄	l ₁	l ₂	l ₃	A/F	Weight g
75120.W0014	14	M_6	8	11	28	10	0.5	3	13
75120.W0018	18	M_6	10	15	40	12	2.5	3	29
75120.W0020	21	M_6	10	17	50	13	2.5	3	42
75120.W0022	22	M_6	10	18	56	13	2.5	3	47
75120.W0023	23	M_8	13	19	65	14	2.5	4	79
75120.W0026	26	M_8	13	21	80	16	2.5	4	106
75120.W0031	31	M12	14	25	102	20	2.5	6	178
75120.W0120	21	M_8	10	17	50	13	2.5	4	43
75120.W0122	22	M_8	10	18	56	13	2.5	4	48
75120.W0028	28	M10	13	22	90	16	2.5	5	126
75120.W0123	23	M10	13	19	65	14	2.5	5	80
75120.W0126	26	M10	13	21	80	16	2.5	5	108



75130

CRANKED & REVOLVING HANDLES

Material

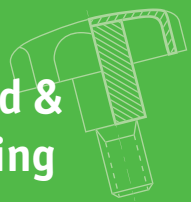
Grip: duroplast PF 31, black matt.
Stud & housing: stainless steel, AISI 303.

Technical Notes

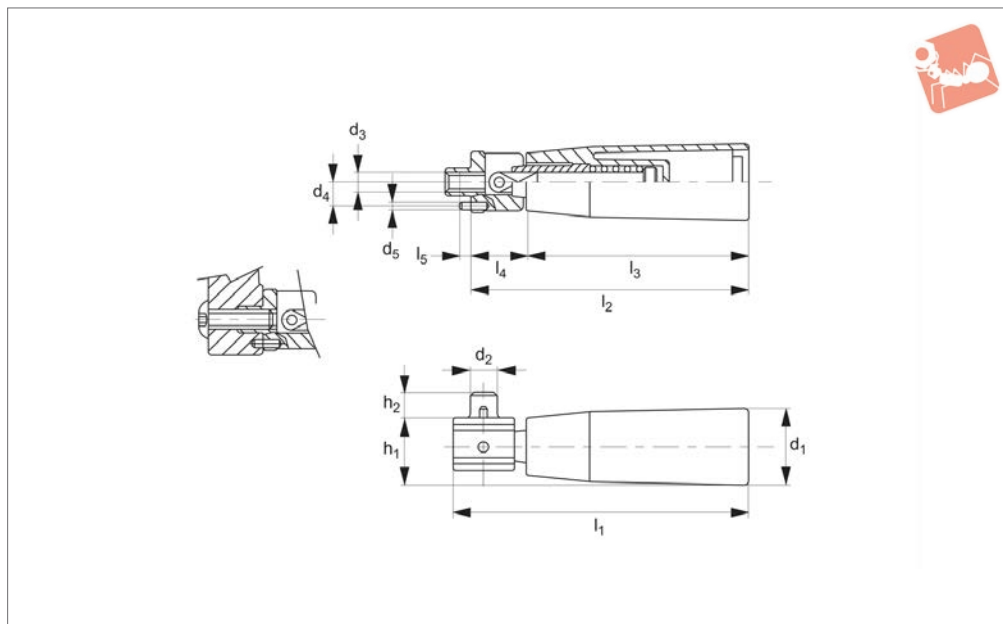
Temperature range 110°C. For certain minimum quantities custom colours

available upon request.

Order No.	d_1	d_2	l_1	l_2	A/F	Weight g
75130.W0017	17	M 6	40	13	3	18
75130.W0020	21	M 6	50	13	3	35
75130.W0023	23	M 8	55	14	4	49
75130.W0025	25	M 8	65	15	4	73
75130.W0027	28	M 8	85	15	4	106
75130.W0028	28	M10	85	17	5	110



75150



Material

Steel Type: Grip: thermoplastic, black, matt.

Stud & housing: steel, chrome plated.

Stainless Type: Grip: thermoplastic, black, matte.

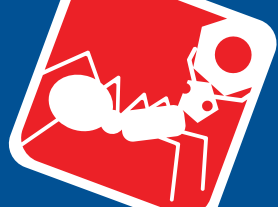
Stud & housing: stainless steel, AISI 303. With retractable mechanism.

Technical Notes

Fold-away handles are ideal for applications where, due to lack of space or for

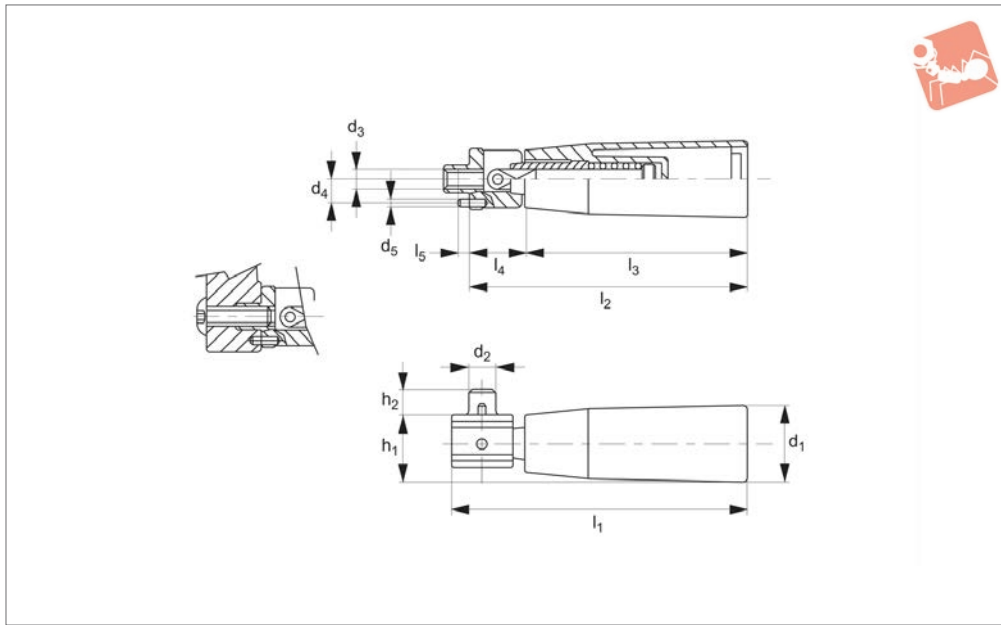
safety, the handle must be folded down and out of the way. Handle spring loaded for quick return. For certain minimum quantities custom colours available upon request.

Order No.	Material	d ₁	d ₂	d ₃	d ₄	d ₅	h ₁	h ₂	l ₁	l ₂	l ₃	l ₄	l ₅	Weight g
75150.W0021	Steel	21	7	M 5	6.3	2.5	19	8	69	66.5	50	16.5	4	55
75150.W0023	Steel	23	8	M 6	7.5	2.5	21	8	92	86.5	70	16.5	4	67
75150.W0026	Steel	26	8	M 6	7.5	2.5	24	10	114	110.0	90	20.0	4	102
75150.W0521	Stainless	21	7	M 5	6.3	2.5	19	8	69	66.5	50	16.5	4	55
75150.W0523	Stainless	23	8	M 6	7.5	2.5	21	8	92	86.5	70	16.5	4	67
75150.W0526	Stainless	26	8	M 6	7.5	2.5	24	10	114	110.0	90	20.0	4	102



Rotating Handles fold-away type

Cranked & Revolving



75160

CRANKED & REVOLVING HANDLES

Material

Thermoplastic, black, matt. Steel stud and zinc plated steel retractable mechanism.

Technical Notes

Fold-away handles are ideal for applica-

tions where, due to lack of space or for safety, the handle must be folded down and out of the way. Handle spring loaded for quick return. For certain minimum quantities custom colours available upon

request.

Order No.	d ₁	d ₂	d ₃	d ₄	d ₅	h ₁	h ₂	l ₁	l ₂	l ₃	l ₄	l ₅	Weight g
75160.W0021	21	7	M 5	6.3	2.5	27	8	63	57	50	7	4	46
75160.W0023	23	8	M 5	7.5	2.5	29	8	84	77	70	7	4	63
75160.W0024	26	8	M 6	7.5	2.5	32	10	107	97	90	7	4	105