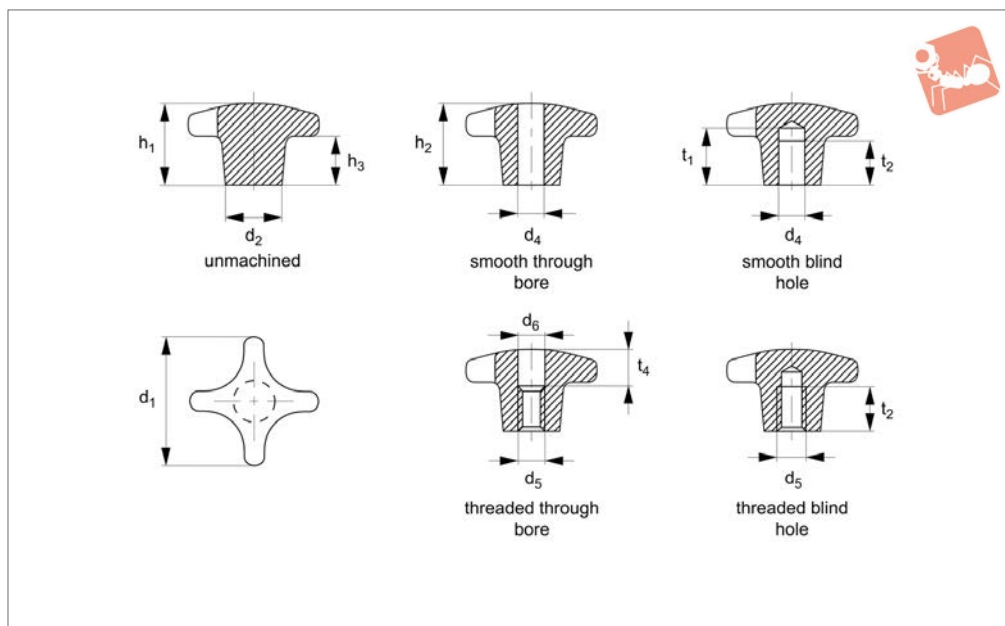


Palm Grips

cast iron - DIN 6335



Grips



70000

GRIPS

Material

Cast iron GG20, bright.

Technical Notes

Sandblasted or tumbled.

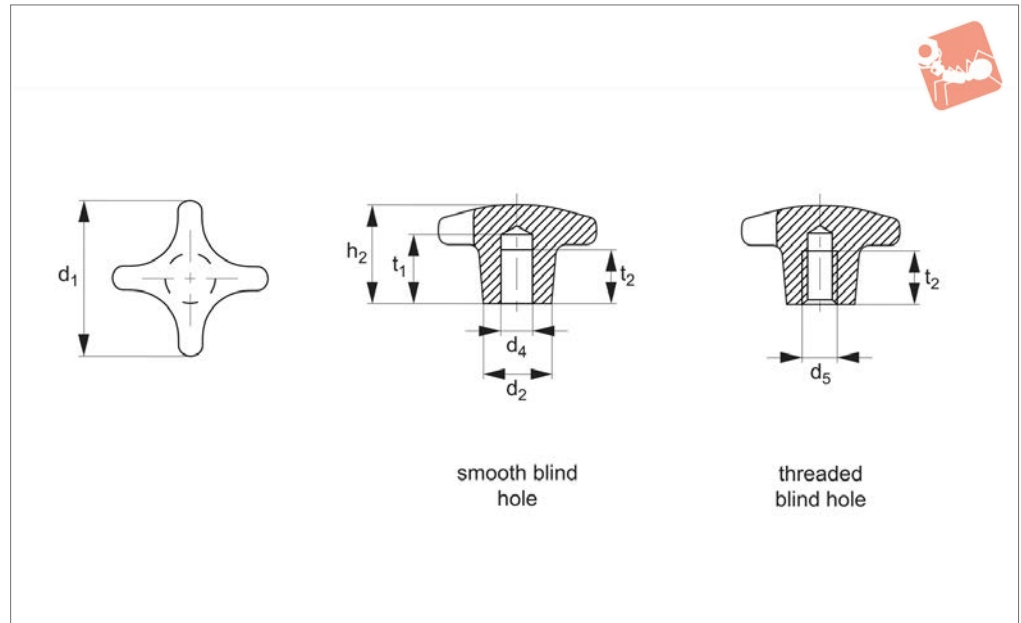
Tips

Grips with different bores or surface treatment can be made to order (min. quantity for specials 200 off).

Order No.	Finish	d ₁	d ₂	d ₄ tol. H7	d ₅	d ₆	h ₁	h ₂	h ₃	t ₁	t ₂	t ₄	Weight g
70000.W0032	Unmachined	32	12	-	-	-	21	-	10	-	-	-	38
70000.W0040	Unmachined	40	14	-	-	-	26	-	14	-	-	-	69
70000.W0050	Unmachined	50	18	-	-	-	34	-	20	-	-	-	115
70000.W0063	Unmachined	63	20	-	-	-	42	-	25	-	-	-	228
70000.W0080	Unmachined	80	25	-	-	-	52	-	30	-	-	-	415
70000.W0090	Unmachined	100	32	-	-	-	65	-	38	-	-	-	855
70000.W0132	Smooth, Through	32	12	6	-	-	-	20	-	-	-	-	34
70000.W0140	Smooth, Through	40	14	8	-	-	-	25	-	-	-	-	59
70000.W0150	Smooth, Through	50	18	10	-	-	-	32	-	-	-	-	95
70000.W0163	Smooth, Through	63	20	12	-	-	-	40	-	-	-	-	171
70000.W0180	Smooth, Through	80	25	16	-	-	-	50	-	-	-	-	338
70000.W0190	Smooth, Through	100	32	20	-	-	-	63	-	-	-	-	709
70000.W0232	Smooth, Blind	32	12	6	-	-	-	20	-	15	12	-	36
70000.W0240	Smooth, Blind	40	14	8	-	-	-	25	-	18	15	-	61
70000.W0250	Smooth, Blind	50	18	10	-	-	-	32	-	21	18	-	99
70000.W0263	Smooth, Blind	63	20	12	-	-	-	40	-	25	22	-	200
70000.W0280	Smooth, Blind	80	25	16	-	-	-	50	-	32	28	-	380
70000.W0290	Smooth, Blind	100	32	20	-	-	-	63	-	40	36	-	648
70000.W0332	Threaded, Through	32	12	-	M_6	6.4	-	20	-	-	-	10	34
70000.W0340	Threaded, Through	40	14	-	M_8	8.4	-	25	-	-	-	12	60
70000.W0350	Threaded, Through	50	18	-	M10	10.5	-	32	-	-	-	16	95
70000.W0363	Threaded, Through	63	20	-	M12	13.0	-	40	-	-	-	20	191
70000.W0380	Threaded, Through	80	25	-	M16	17.0	-	50	-	-	-	30	339
70000.W0390	Threaded, Through	100	32	-	M20	21.0	-	63	-	-	-	38	704
70000.W0432	Threaded, Blind	32	12	-	M_6	-	-	20	-	-	12	-	35
70000.W0440	Threaded, Blind	40	14	-	M_8	-	-	25	-	-	15	-	63
70000.W0450	Threaded, Blind	50	18	-	M10	-	-	32	-	-	18	-	103
70000.W0463	Threaded, Blind	63	20	-	M12	-	-	40	-	-	22	-	205
70000.W0480	Threaded, Blind	80	25	-	M16	-	-	50	-	-	28	-	359
70000.W0490	Threaded, Blind	100	32	-	M20	-	-	63	-	-	36	-	720



70020



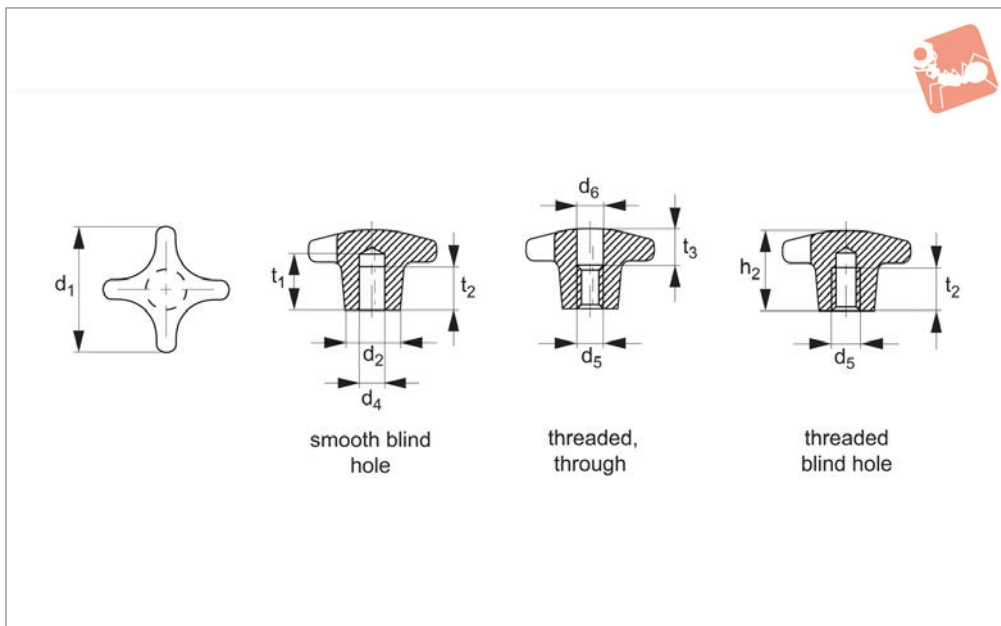
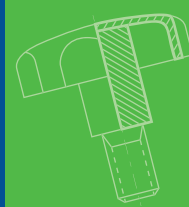
Material

Cast iron GG20, plastic-coated, orange RAL2004 or black RAL9005 dull finish.

Technical Notes

Produced to DIN 6335.

Order No.	Finish	Colour	d ₁	d ₂	d ₄ tol. H7	d ₅	h ₂	t ₁	t ₂	Weight g
70020.W0540	Smooth, Blind	Orange	40	14	8	-	25	18	15	62
70020.W0550	Smooth, Blind	Orange	50	18	10	-	32	21	18	106
70020.W0563	Smooth, Blind	Orange	63	20	12	-	40	25	22	201
70020.W0580	Smooth, Blind	Orange	80	25	16	-	50	32	28	353
70020.W0640	Smooth, Blind	Black	40	14	8	-	25	18	15	62
70020.W0650	Smooth, Blind	Black	50	18	10	-	32	21	18	106
70020.W0663	Smooth, Blind	Black	63	20	12	-	40	25	22	201
70020.W0680	Smooth, Blind	Black	80	25	16	-	50	32	28	353
70020.W0541	Threaded, Blind	Orange	40	14	-	M 8	25	-	15	56
70020.W0551	Threaded, Blind	Orange	50	18	-	M10	32	-	18	110
70020.W0564	Threaded, Blind	Orange	63	20	-	M12	40	-	22	198
70020.W0581	Threaded, Blind	Orange	80	25	-	M16	50	-	28	364
70020.W0641	Threaded, Blind	Black	40	14	-	M 8	25	-	15	56
70020.W0651	Threaded, Blind	Black	50	18	-	M10	32	-	18	110
70020.W0664	Threaded, Blind	Black	63	20	-	M12	40	-	22	198
70020.W0681	Threaded, Blind	Black	80	25	-	M16	50	-	28	364



70040

GRIPS

Material

Light metal aluminium (polished or unpolished).

Tips

Grips with different bores or surface treatment can be made to order (min. quantity for specials 200 off).

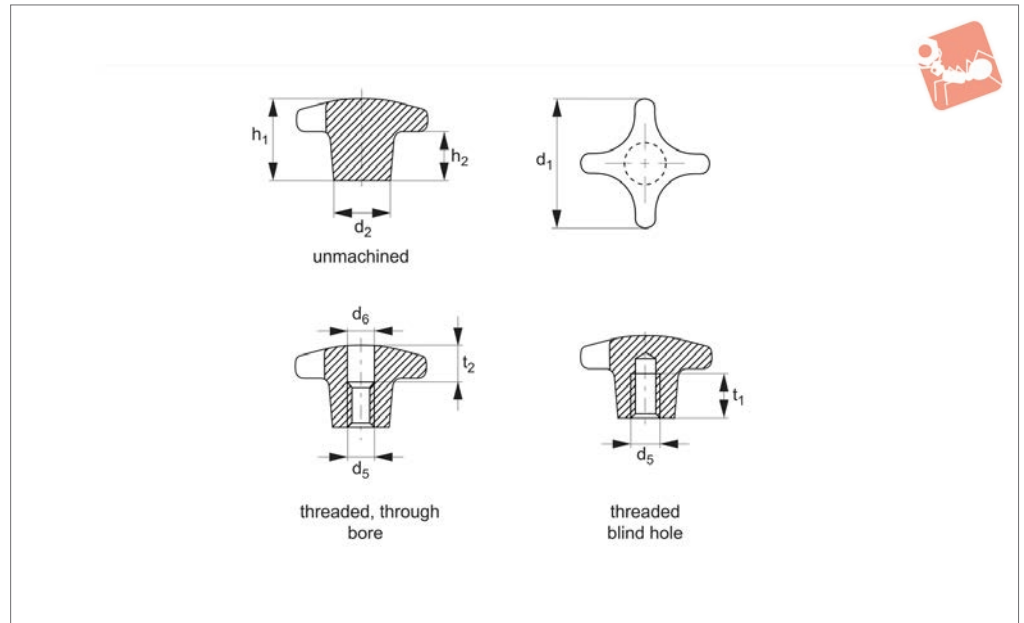
Technical Notes

Produced to DIN 6335.

Order No.	Finish	Type	d ₁	d ₂	d ₄ tol. H7	d ₅	d ₆	h ₂	t ₁	t ₂	t ₃	Weight g
70040.W0240	Unpolished	Smooth, Blind	40	14	8	-	-	25	18	15	-	25
70040.W0250	Unpolished	Smooth, Blind	50	18	10	-	-	32	21	18	-	45
70040.W0263	Unpolished	Smooth, Blind	63	20	12	-	-	40	25	22	-	84
70040.W0280	Unpolished	Smooth, Blind	80	25	16	-	-	50	32	28	-	141
70040.W0440	Unpolished	Threaded, Blind	40	14	-	M 8	-	25	-	15	-	22
70040.W0450	Unpolished	Threaded, Blind	50	18	-	M10	-	32	-	18	-	46
70040.W0463	Unpolished	Threaded, Blind	63	20	-	M12	-	40	-	22	-	86
70040.W0480	Unpolished	Threaded, Blind	80	25	-	M16	-	50	-	28	-	143
70040.W0640	Polished	Smooth, Blind	40	14	8	-	-	25	18	15	-	25
70040.W0650	Polished	Smooth, Blind	50	18	10	-	-	32	21	18	-	45
70040.W0663	Polished	Smooth, Blind	63	20	12	-	-	40	25	22	-	84
70040.W0680	Polished	Smooth, Blind	80	25	16	-	-	50	32	28	-	141
70040.W0840	Polished	Threaded, Blind	40	14	-	M 8	-	25	-	15	-	22
70040.W0850	Polished	Threaded, Blind	50	18	-	M10	-	32	-	18	-	46
70040.W0863	Polished	Threaded, Blind	63	20	-	M12	-	40	-	22	-	86
70040.W0880	Polished	Threaded, Blind	80	25	-	M16	-	50	-	28	-	143
70040.W0340	Unpolished	Threaded, Through	40	14	-	M 8	8.4	25	-	-	12	23
70040.W0350	Unpolished	Threaded, Through	50	18	-	M10	10.5	32	-	-	16	44
70040.W0363	Unpolished	Threaded, Through	63	20	-	M12	13.0	40	-	-	20	70
70040.W0380	Unpolished	Threaded, Through	80	25	-	M16	17.0	50	-	-	30	129
70040.W0740	Polished	Threaded, Through	40	14	-	M 8	8.4	25	-	-	12	23
70040.W0750	Polished	Threaded, Through	50	18	-	M10	10.5	32	-	-	16	44
70040.W0763	Polished	Threaded, Through	63	20	-	M12	13.0	40	-	-	20	70
70040.W0780	Polished	Threaded, Through	80	25	-	M16	17.0	50	-	-	30	129



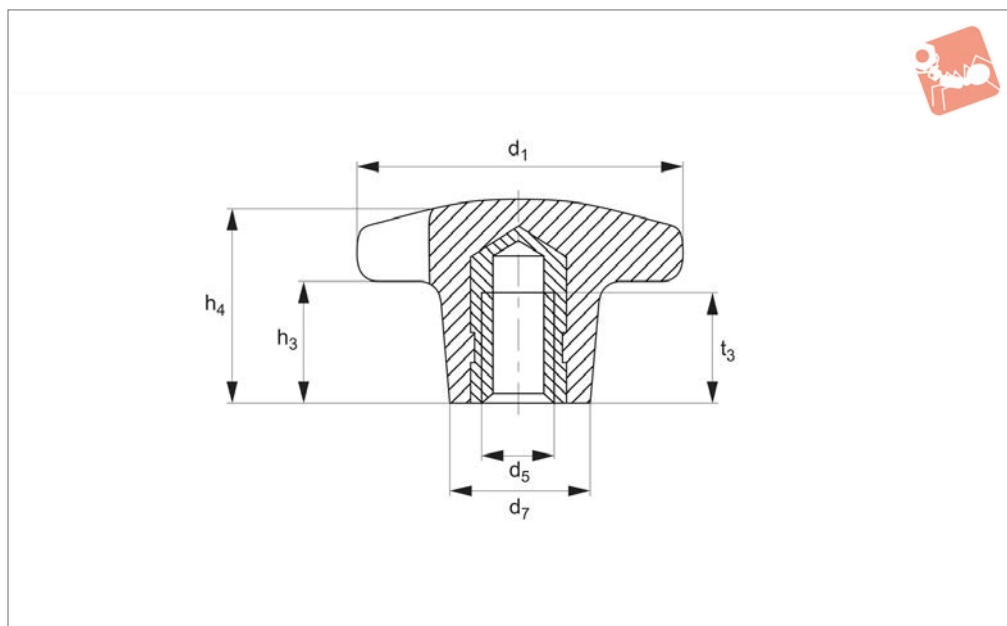
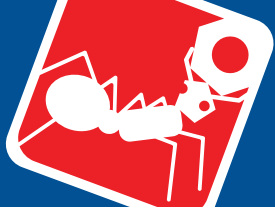
70042



Material

Stainless steel A2 (AISI 304), dull blasted.

Order No.	Finish	d ₁	d ₂	d ₅	d ₆	h ₁	h ₂	t ₁	t ₂	Weight g
70042.W0032	Unmachined	32	12	-	-	21	10	-	-	41
70042.W0040	Unmachined	40	14	-	-	26	14	-	-	70
70042.W0050	Unmachined	50	18	-	-	34	20	-	-	128
70042.W0063	Unmachined	63	20	-	-	42	25	-	-	227
70042.W0332	Threaded, Through	32	12	M 6	6.4	20	-	-	10	36
70042.W0340	Threaded, Through	40	14	M 8	8.4	25	-	-	12	60
70042.W0350	Threaded, Through	50	18	M10	10.5	32	-	-	16	107
70042.W0363	Threaded, Through	63	20	M12	13.0	40	-	-	20	192
70042.W0432	Threaded, Blind	32	12	M 6	-	20	-	12	-	38
70042.W0440	Threaded, Blind	40	14	M 8	-	25	-	15	-	62
70042.W0450	Threaded, Blind	50	18	M10	-	32	-	18	-	114
70042.W0463	Threaded, Blind	63	20	M12	-	40	-	22	-	205



70060

GRIPS

Material

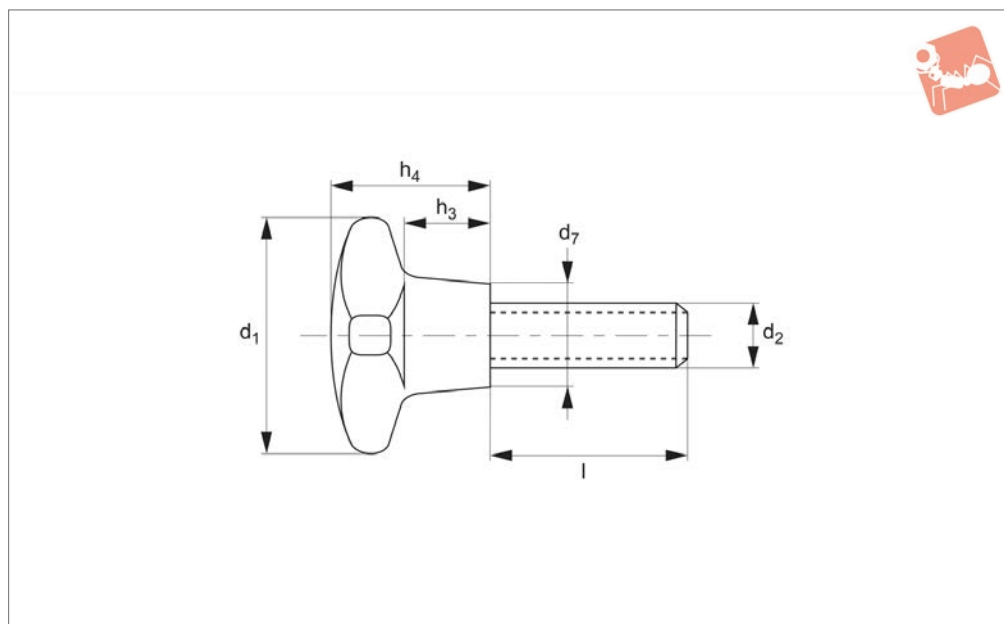
Grip: duroplast PF 31 DIN 7708, black.
Threaded bush: steel, galvanised or stain-

less steel A2.
Temperature range: max 110°C.

Order No.	Finish	d ₁	d ₅	d ₇	h ₃	h ₄	t ₃	Weight g
70060.W0220	Brass	20	M_4	10	6	13	6.5	3.3
70060.W0225	Steel	25	M_5	12	8	16	9.5	7.0
70060.W0232	Steel	32	M_6	14	10	20	12.0	12.0
70060.W0240	Steel	40	M_8	18	13	25	14.0	16.0
70060.W0250	Steel	50	M10	22	20	32	18.0	32.0
70060.W0263	Steel	63	M12	26	25	40	22.0	62.0
70060.W0280	Steel	80	M16	35	30	50	30.0	137.0
70060.W1225	Stainless	25	M_5	12	8	16	9.5	7.0
70060.W1232	Stainless	32	M_6	14	10	20	12.0	12.0
70060.W1240	Stainless	40	M_8	18	13	25	14.0	16.0
70060.W1263	Stainless	63	M12	26	25	40	22.0	62.0
70060.W1280	Stainless	80	M16	35	30	50	30.0	137.0



70080



Material

Duroplast PF 31, black.

Grub screw: steel, galvanised or stainless steel A2.

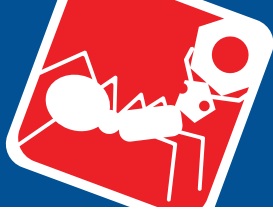
Technical Notes

Produced to DIN 7708.

Special designs e.g. different lengths or grub screws in brass, or stainless steel can

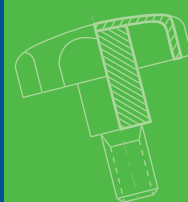
be made to order depending on quantity.
Temperature range up to 110°C.

Order No.	Material	d ₁	d ₂	d ₇	h ₃	h ₄	l ₁	Weight g
70080.W0051	Steel	25	M 5	12	8	16	10	6.7
70080.W0052	Steel	25	M 5	12	8	16	15	7.3
70080.W0053	Steel	25	M 5	12	8	16	20	7.5
70080.W0054	Steel	25	M 5	12	8	16	25	8.1
70080.W0055	Steel	25	M 5	12	8	16	30	8.9
70080.W0061	Steel	32	M 6	14	10	20	15	11.0
70080.W0062	Steel	32	M 6	14	10	20	20	12.0
70080.W0063	Steel	32	M 6	14	10	20	25	15.0
70080.W0064	Steel	32	M 6	14	10	20	30	16.0
70080.W0065	Steel	32	M 6	14	10	20	40	16.0
70080.W0081	Steel	40	M 8	18	13	25	20	24.0
70080.W0082	Steel	40	M 8	18	13	25	25	25.0
70080.W0083	Steel	40	M 8	18	13	25	30	26.0
70080.W0084	Steel	40	M 8	18	13	25	40	30.0
70080.W0085	Steel	40	M 8	18	13	25	50	32.0
70080.W0101	Steel	50	M10	22	20	32	25	41.0
70080.W0102	Steel	50	M10	22	20	32	30	48.0
70080.W0103	Steel	50	M10	22	20	32	40	51.0
70080.W0104	Steel	50	M10	22	20	32	50	56.0
70080.W0105	Steel	50	M10	22	20	32	60	69.0
70080.W0121	Steel	63	M12	26	25	40	30	86.0
70080.W0122	Steel	63	M12	26	25	40	40	93.0
70080.W0123	Steel	63	M12	26	25	40	50	99.0
70080.W0124	Steel	63	M12	26	25	40	60	105.0
70080.W0125	Steel	63	M12	26	25	40	80	112.0
70080.W0161	Steel	80	M16	35	30	50	40	198.0
70080.W0162	Steel	80	M16	35	30	50	50	175.0
70080.W0163	Steel	80	M16	35	30	50	60	219.0
70080.W0164	Steel	80	M16	35	30	50	80	251.0

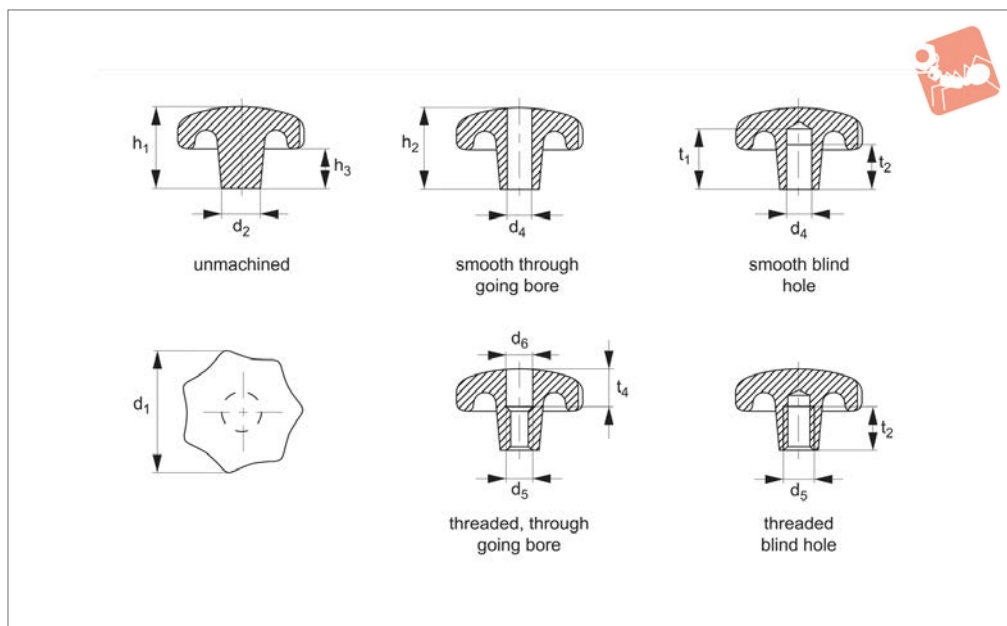


Star Grips

cast iron - DIN 6336



Grips



70100

GRIPS

Material

GG20 cast iron, bright, sand blasted or tumbled.

Technical Notes

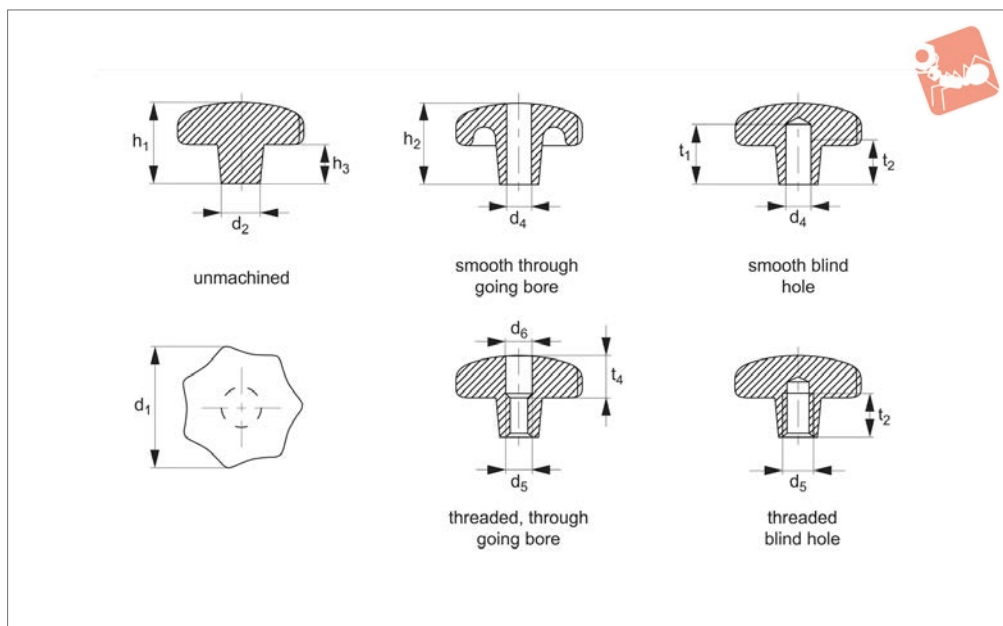
Grips with different bores or surface treatments can be obtained by special order,

(minimum quantity 200 off).

Order No.	Finish	d ₁	d ₂	d ₄ tol. H7	d ₅	d ₆	h ₁	h ₂	h ₃	t ₁	t ₂	t ₄	Weight g
70100.W0032	Unmachined	32	12	-	-	-	21	-	10	-	-	-	55
70100.W0040	Unmachined	40	14	-	-	-	26	-	13	-	-	-	82
70100.W0050	Unmachined	50	18	-	-	-	34	-	17	-	-	-	150
70100.W0063	Unmachined	63	20	-	-	-	42	-	21	-	-	-	260
70100.W0080	Unmachined	80	25	-	-	-	52	-	25	-	-	-	510
70100.W0132	Smooth, Through	32	12	6	-	-	-	20	-	-	-	-	49
70100.W0140	Smooth, Through	40	14	8	-	-	-	25	-	-	-	-	72
70100.W0150	Smooth, Through	50	18	10	-	-	-	32	-	-	-	-	130
70100.W0163	Smooth, Through	63	20	12	-	-	-	40	-	-	-	-	220
70100.W0180	Smooth, Through	80	25	16	-	-	-	50	-	-	-	-	440
70100.W0232	Smooth, Blind	32	12	6	-	-	-	20	-	15	12	-	50
70100.W0240	Smooth, Blind	40	14	8	-	-	-	25	-	18	15	-	74
70100.W0250	Smooth, Blind	50	18	10	-	-	-	32	-	21	18	-	135
70100.W0263	Smooth, Blind	63	20	12	-	-	-	40	-	25	22	-	235
70100.W0280	Smooth, Blind	80	25	16	-	-	-	50	-	32	28	-	460
70100.W0332	Threaded, Through	32	12	-	M_6	6.4	-	20	-	-	-	10	49
70100.W0340	Threaded, Through	40	14	-	M_8	8.4	-	25	-	-	-	12	72
70100.W0350	Threaded, Through	50	18	-	M10	10.5	-	32	-	-	-	16	130
70100.W0363	Threaded, Through	63	20	-	M12	13.0	-	40	-	-	-	20	220
70100.W0380	Threaded, Through	80	25	-	M16	17.0	-	50	-	-	-	30	545
70100.W0432	Threaded, Blind	32	12	-	M_6	-	-	20	-	-	12	-	50
70100.W0440	Threaded, Blind	40	14	-	M_8	-	-	25	-	-	15	-	74
70100.W0450	Threaded, Blind	50	18	-	M10	-	-	32	-	-	18	-	135
70100.W0463	Threaded, Blind	63	20	-	M12	-	-	40	-	-	22	-	235
70100.W0480	Threaded, Blind	80	25	-	M16	-	-	50	-	-	28	-	460



70120



Material

Light metal aluminium (polished or unpolished).

Technical Notes

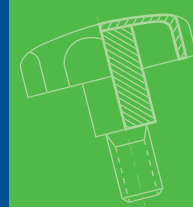
Produced to DIN 6336.

Order No.	Finish	Type	d ₁	d ₂	d ₄ tol. H7	d ₅	d ₆	h ₁	h ₂	h ₃	t ₁	t ₂	t ₄	Weight g
70120.W0040	Unpolished	Unmachined	40	14	-	-	-	26	-	13	-	-	-	36
70120.W0050	Unpolished	Unmachined	50	18	-	-	-	34	-	17	-	-	-	70
70120.W0063	Unpolished	Unmachined	63	20	-	-	-	42	-	21	-	-	-	128
70120.W0080	Unpolished	Unmachined	80	25	-	-	-	52	-	25	-	-	-	245
70120.W0180	Unpolished	Smooth, Through	80	25	16	-	-	-	50	-	-	-	-	200
70120.W0240	Unpolished	Smooth, Blind	40	14	8	-	-	-	25	-	18	15	-	30
70120.W0250	Unpolished	Smooth, Blind	50	18	10	-	-	-	32	-	21	18	-	63
70120.W0263	Unpolished	Smooth, Blind	63	20	12	-	-	-	40	-	25	22	-	117
70120.W0280	Unpolished	Smooth, Blind	80	25	16	-	-	-	50	-	32	28	-	223
70120.W0340	Unpolished	Threaded, Through	40	14	-	M 8	8.4	-	25	-	-	-	12	32
70120.W0350	Unpolished	Threaded, Through	50	18	-	M10	10.5	-	32	-	-	-	16	32
70120.W0363	Unpolished	Threaded, Through	63	20	-	M12	13.0	-	40	-	-	-	20	109
70120.W0380	Unpolished	Threaded, Through	80	25	-	M16	17.0	-	50	-	-	-	30	218
70120.W0440	Unpolished	Threaded, Blind	40	14	-	M 8	-	-	25	-	-	15	-	33
70120.W0450	Unpolished	Threaded, Blind	50	18	-	M10	-	-	32	-	-	18	-	63
70120.W0463	Unpolished	Threaded, Blind	63	20	-	M12	-	-	40	-	-	22	-	111
70120.W0480	Unpolished	Threaded, Blind	80	25	-	M16	-	-	50	-	-	28	-	227
70120.W0540	Polished	Smooth, Through	40	14	8	-	-	-	25	-	-	-	-	32
70120.W0580	Polished	Smooth, Through	80	25	16	-	-	-	50	-	-	-	-	200
70120.W0640	Polished	Smooth, Blind	40	14	8	-	-	-	25	-	18	15	-	30
70120.W0650	Polished	Smooth, Blind	50	18	10	-	-	-	32	-	21	18	-	63
70120.W0663	Polished	Smooth, Blind	63	20	12	-	-	-	40	-	25	22	-	117
70120.W0680	Polished	Smooth, Blind	80	25	16	-	-	-	50	-	32	28	-	223
70120.W0740	Polished	Threaded, Through	40	14	-	M 8	8.4	-	25	-	-	-	12	32
70120.W0750	Polished	Threaded, Through	50	18	-	M10	10.5	-	32	-	-	-	16	32
70120.W0763	Polished	Threaded, Through	63	20	-	M12	13.0	-	40	-	-	-	20	109
70120.W0780	Polished	Threaded, Through	80	25	-	M16	17.0	-	50	-	-	-	30	218
70120.W0840	Polished	Threaded, Blind	40	14	-	M 8	-	-	25	-	-	15	-	33
70120.W0850	Polished	Threaded, Blind	50	18	-	M10	-	-	32	-	-	18	-	63
70120.W0863	Polished	Threaded, Blind	63	20	-	M12	-	-	40	-	-	22	-	111
70120.W0880	Polished	Threaded, Blind	80	25	-	M16	-	-	50	-	-	28	-	227

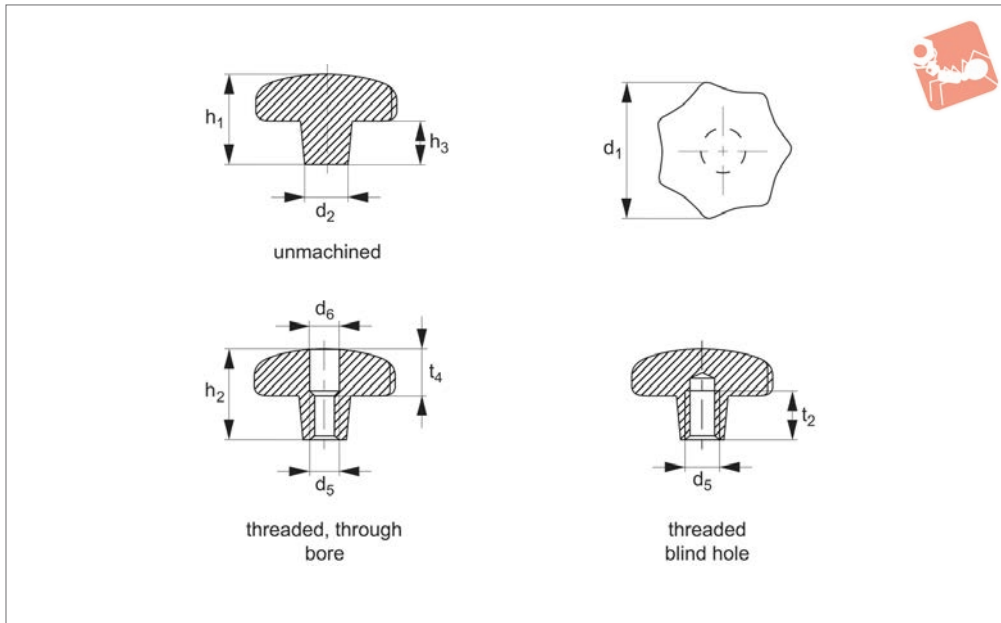


Star Grips

die-cast stainless steel - DIN 6336



Grips



70122

GRIPS

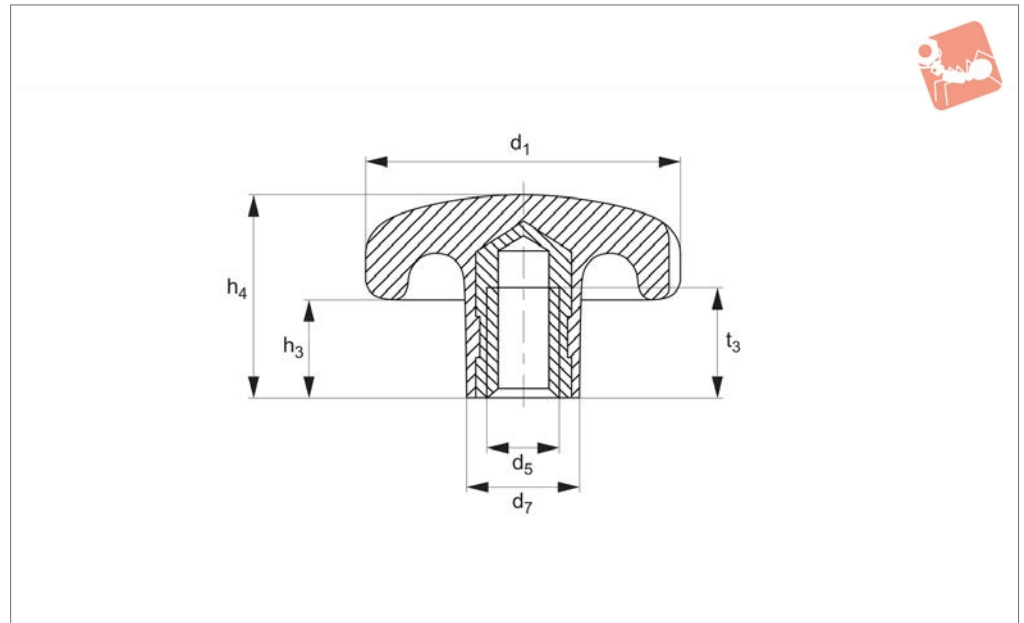
Material

Stainless steel A2 (AISI 304), dull blasted.

Order No.	Finish	d ₁	d ₂	d ₅	d ₆	h ₁	h ₂	h ₃	t ₂	t ₄	Weight g
70122.W0032	Unmachined	32	12	-	-	21	-	10	-	-	56
70122.W0040	Unmachined	40	14	-	-	26	-	13	-	-	85
70122.W0050	Unmachined	50	18	-	-	34	-	17	-	-	181
70122.W0063	Unmachined	63	20	-	-	42	-	21	-	-	319
70122.W0332	Threaded, Through	32	12	M 6	6.4	-	20	-	-	10	52
70122.W0340	Threaded, Through	40	14	M 8	8.4	-	25	-	-	12	75
70122.W0350	Threaded, Through	50	18	M10	10.5	-	32	-	-	16	158
70122.W0363	Threaded, Through	63	20	M12	13.0	-	40	-	-	20	279
70122.W0432	Threaded, Blind	32	12	M 6	-	-	20	-	12	-	53
70122.W0440	Threaded, Blind	40	14	M 8	-	-	25	-	15	-	77
70122.W0450	Threaded, Blind	50	18	M10	-	-	32	-	18	-	165
70122.W0463	Threaded, Blind	63	20	M12	-	-	40	-	22	-	296



70140



Material

Grip: duroplast PF 31 DIN 7708, black.

Threaded bush: steel, galvanised, stainless

steel A2 or brass.

Technical Notes

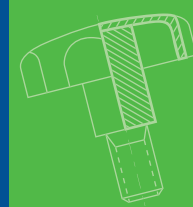
Temperature range: max 110°C.

Order No.	Finish	d_1	d_5	d_7	h_3	h_4	t_3	Weight g
70140.W0220	Brass	20	M 4	10	7	13	6.5	3.4
70140.W0225	Steel	25	M 5	12	8	16	9.5	7.4
70140.W0232	Steel	32	M 6	14	10	20	12.0	11.0
70140.W0240	Steel	40	M 8	18	13	25	14.0	22.0
70140.W0250	Steel	50	M10	22	17	32	18.0	40.0
70140.W0263	Steel	63	M12	26	21	40	22.0	83.0
70140.W0280	Steel	80	M16	35	25	50	30.0	163.0
70140.W1225	Stainless	25	M 5	12	8	16	9.5	7.4
70140.W1232	Stainless	32	M 6	14	10	20	12.0	11.0
70140.W1240	Stainless	40	M 8	18	13	25	14.0	22.0
70140.W1250	Stainless	50	M10	22	17	32	18.0	40.0
70140.W1263	Stainless	63	M12	26	21	40	22.0	83.0
70140.W1280	Stainless	80	M16	35	25	50	30.0	163.0

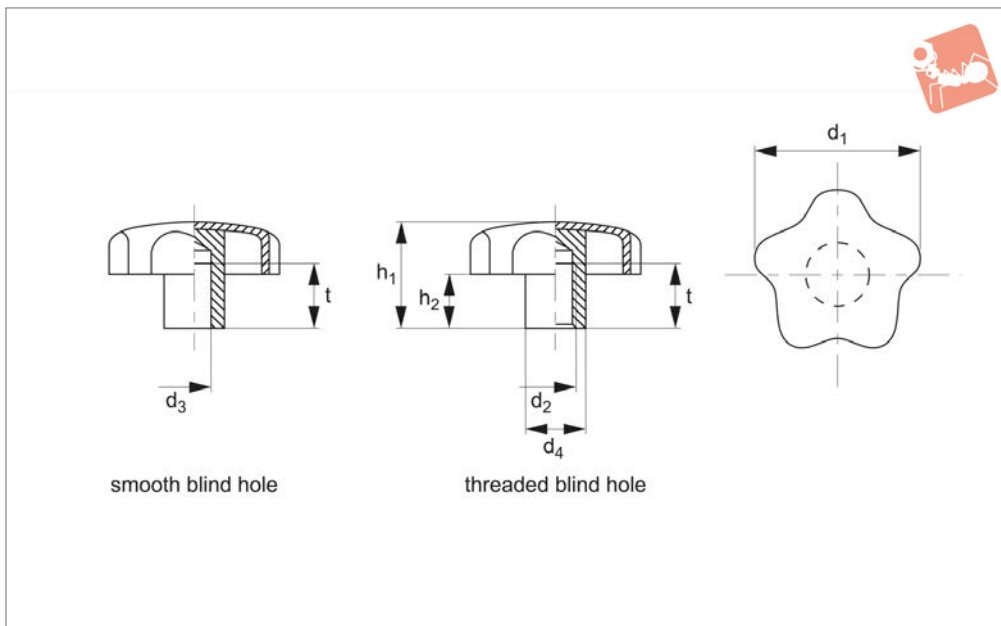


Star Grips

female, stainless steel



Grips



70160

GRIPS

Material

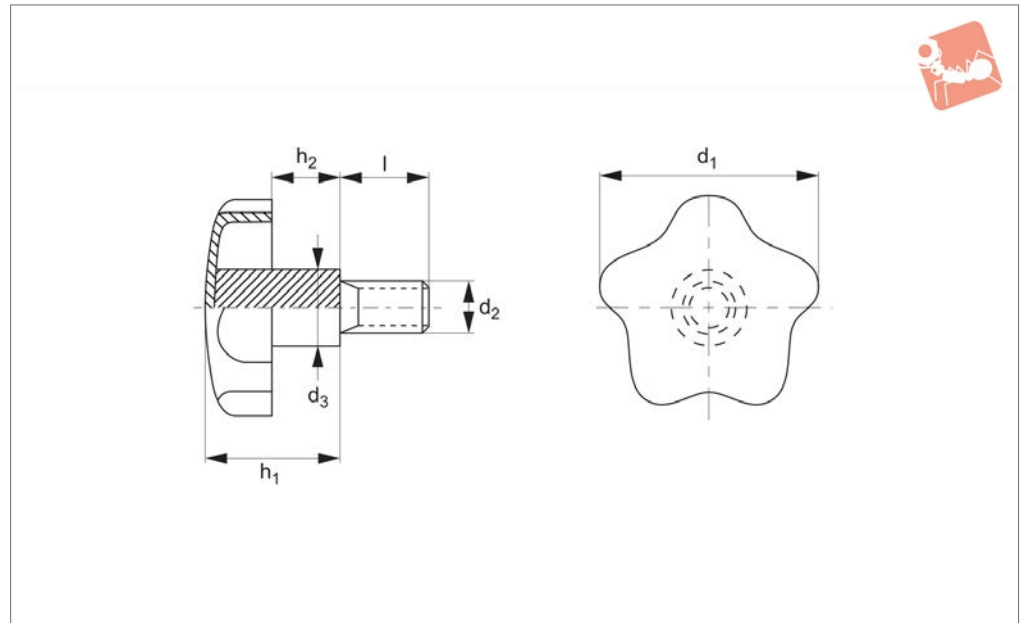
Grip: sheet drawn stainless (AISI 304) dull blasted.

Hub: stainless steel (AISI 304), butt-welded.

Order No.	Finish	d ₁	d ₂	d ₃ tol. H7	d ₄	h ₁	h ₂	t min.	Weight g
70160.W0240	Smooth, Blind	40	-	8	14	25	12.5	15	29
70160.W0250	Smooth, Blind	50	-	10	18	32	17.5	18	67
70160.W0260	Smooth, Blind	60	-	12	20	40	21.0	22	110
70160.W0440	Threaded, Blind	40	M 8	-	14	25	12.5	15	37
70160.W0450	Threaded, Blind	50	M10	-	18	32	17.5	18	69
70160.W0460	Threaded, Blind	60	M12	-	20	40	21.0	22	112



70162

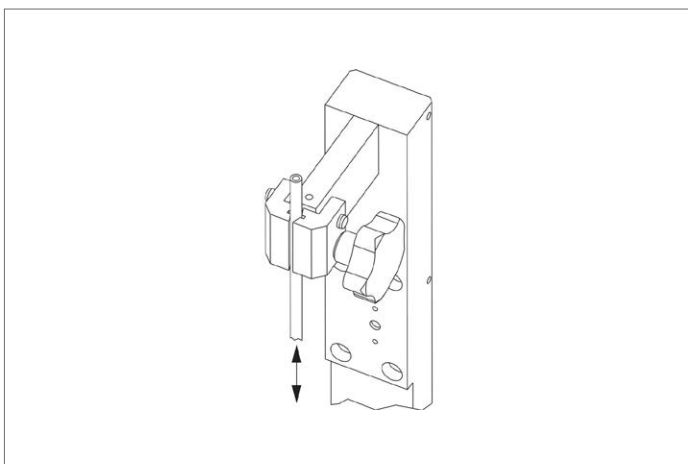


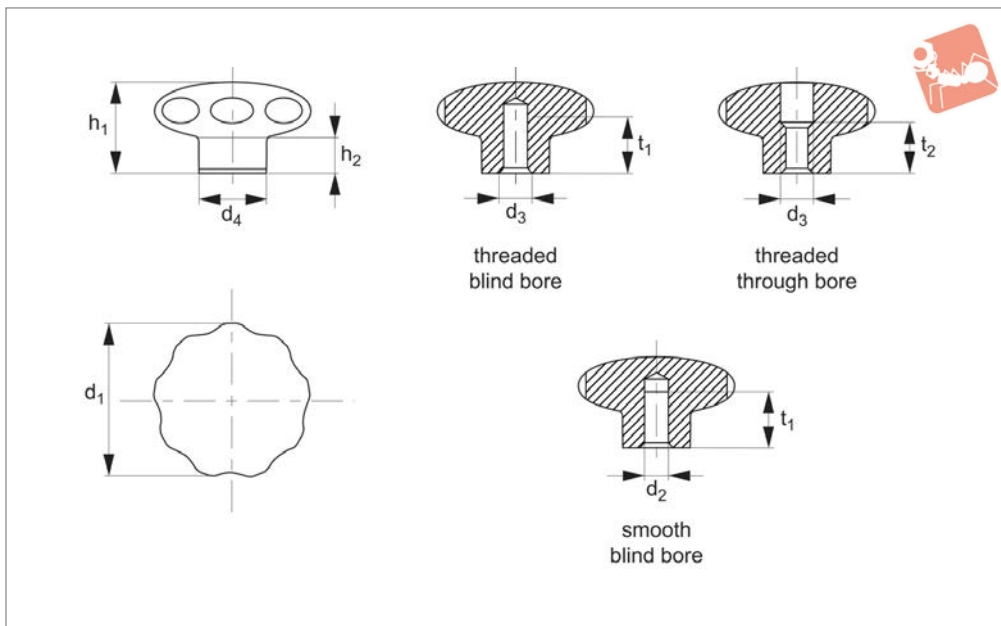
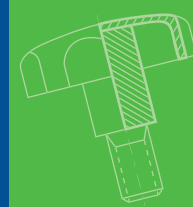
Material

Grip: sheet drawn stainless (AISI 304), dull blasted.

Hub: stainless steel (AISI 304), butt-welded.

Order No.	d ₁	d ₂	d ₃	h ₁ ≈	h ₂ ≈	l	Weight g
70162.W0140	40	M 8	14	24.0	12.0	20	50
70162.W0142	40	M 8	14	24.0	12.0	30	55
70162.W0144	40	M 8	14	24.0	12.0	40	56
70162.W0150	50	M10	18	30.0	16.5	20	95
70162.W0152	50	M10	18	30.0	16.5	30	97
70162.W0154	50	M10	18	30.0	16.5	40	100
70162.W0160	60	M12	20	37.5	20.0	30	155
70162.W0162	60	M12	20	37.5	20.0	40	162
70162.W0164	60	M12	20	37.5	20.0	50	169





70180

GRIPS

Material

Stainless steel 1.4305 (AISI 303), matt, dull blasted.

development intended for the food processing machinery industry. Large radii and smooth surfaces have been introduced to meet the highest hygienic demands.

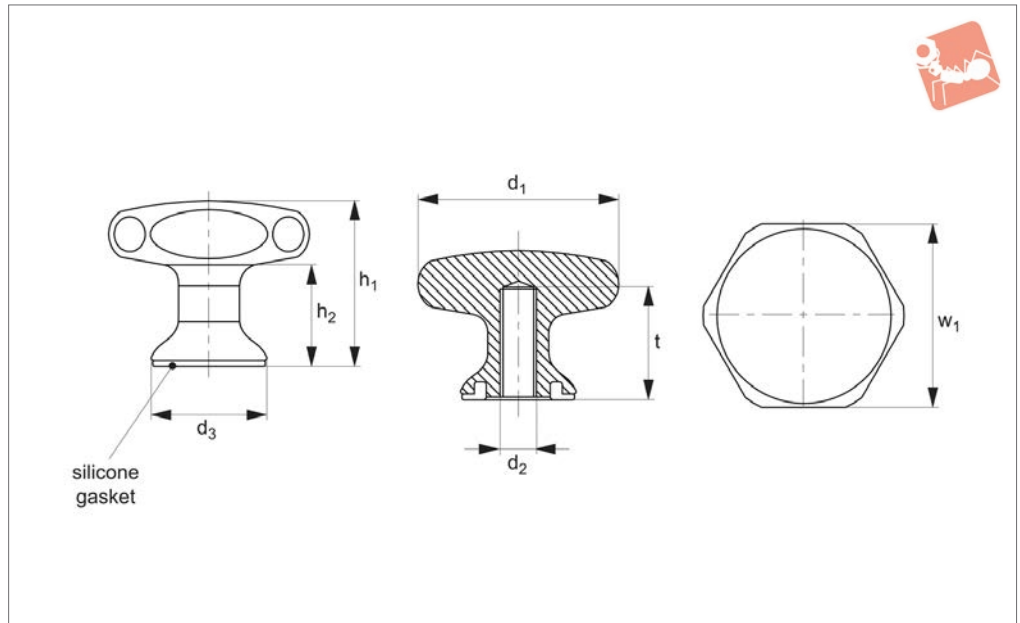
Technical Notes

Stainless steel star grips are a special

Order No.	Finish	d ₁	d ₂ tol. H7	d ₃	d ₄	h ₁	h ₂	t ₁ min.	t ₂	Weight g
70180.W0040	Threaded, Blind	40	-	M 6	18	30.5	15	12	-	134
70180.W0041	Threaded, Blind	40	-	M 8	18	30.5	15	12	-	132
70180.W0050	Threaded, Blind	50	-	M 8	21	34.0	17	15	-	226
70180.W0051	Threaded, Blind	50	-	M10	21	34.0	17	15	-	222
70180.W0060	Threaded, Blind	60	-	M10	25	39.0	18	18	-	395
70180.W0061	Threaded, Blind	60	-	M12	25	39.0	18	18	-	384
70180.W0141	Threaded Through	40	-	M 8	18	30.5	15	-	13	129
70180.W0151	Threaded Through	50	-	M10	21	34.0	17	-	16	216
70180.W0161	Threaded Through	60	-	M12	25	39.0	18	-	20	362
70180.W0240	Smooth, Blind	40	8	-	18	30.5	15	12	-	131
70180.W0250	Smooth, Blind	50	10	-	21	34.0	17	15	-	223
70180.W0260	Smooth, Blind	60	12	-	25	39.0	18	18	-	386



70190



Material

Stainless steel AISI304
Blue gasket: silicone

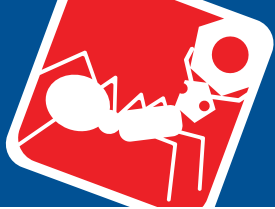
Tips

Made to the high „3A“ standard.

This ensures it meets the high standards required for use in food, beverage, pharmaceutical and medical applications. Hygienically designed for effective and easy cleaning, corrosion resistant, non-

toxic. Design precludes contamination by dirt, food particles and organic matter.

Order No.	d ₁	d ₂	d ₃	h ₁	h ₂	t	w ₁
70190.W0027	27	M 5	15	20	13	15	24
70190.W0033	33	M 6	19	24	13	20	30
70190.W0040	40	M 8	25	28	16	20	36
70190.W0050	50	M10	25	30	16	25	46
70190.W0065	65	M12	31	40	24	25	60

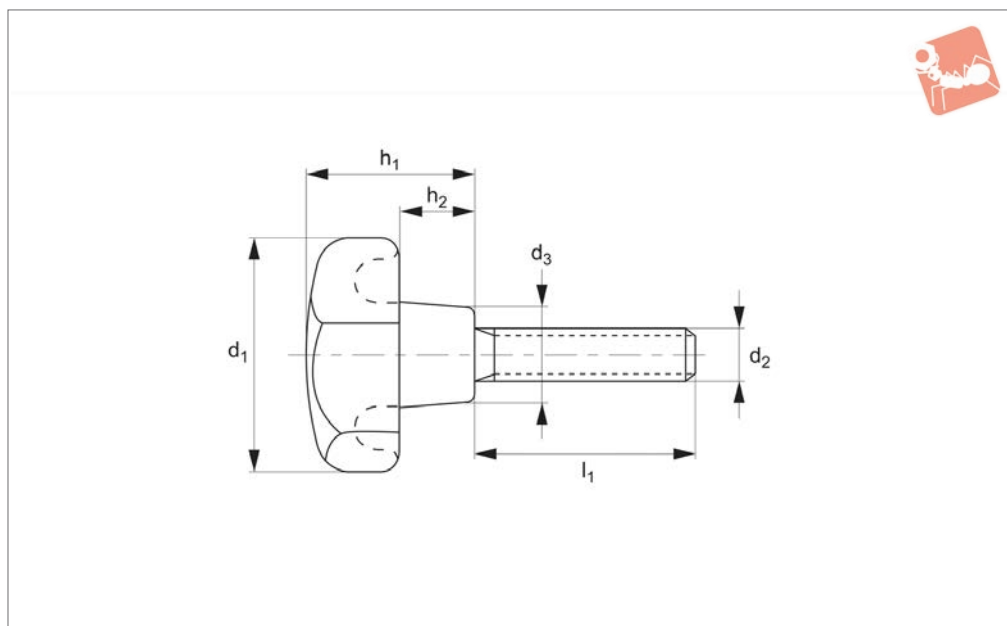


Star Grips

with grub screw - DIN 6336



Grips



70500

GRIPS

Material

duroplast PF 31, black.
Grub screw: steel, galvanised.

Special designs e.g. different lengths or grub screws in brass or stainless steel, on request.

Technical Notes

Produced to DIN 7708.

Temperature range max. 110°C.
DIN 6336.

Order No.	Material	d ₁	d ₂	d ₃	h ₁	h ₂	l ₁	Weight g
70500.W0051	Steel	25	M 5	12	16	8	10	7.3
70500.W0054	Steel	25	M 5	12	16	8	15	7.2
70500.W0056	Steel	25	M 5	12	16	8	20	8.7
70500.W0058	Steel	25	M 5	12	16	8	25	8.7
70500.W0060	Steel	25	M 5	12	16	8	30	9.2
70500.W0102	Steel	32	M 6	14	20	10	15	14.0
70500.W0104	Steel	32	M 6	14	20	10	20	14.0
70500.W0106	Steel	32	M 6	14	20	10	25	14.0
70500.W0108	Steel	32	M 6	14	20	10	30	16.0
70500.W0110	Steel	32	M 6	14	20	10	40	17.0
70500.W0152	Steel	40	M 8	18	25	13	20	28.0
70500.W0154	Steel	40	M 8	18	25	13	25	30.0
70500.W0156	Steel	40	M 8	18	25	13	30	32.0
70500.W0158	Steel	40	M 8	18	25	13	40	35.0
70500.W0160	Steel	40	M 8	18	25	13	50	38.0
70500.W0202	Steel	50	M10	22	32	17	25	51.0
70500.W0204	Steel	50	M10	22	32	17	30	54.0
70500.W0206	Steel	50	M10	22	32	17	40	60.0
70500.W0208	Steel	50	M10	22	32	17	50	64.0
70500.W0210	Steel	50	M10	22	32	17	60	77.0
70500.W0252	Steel	63	M12	26	40	21	30	101.0
70500.W0254	Steel	63	M12	26	40	21	40	108.0
70500.W0256	Steel	63	M12	26	40	21	50	115.0
70500.W0258	Steel	63	M12	26	40	21	60	121.0
70500.W0260	Steel	63	M12	26	40	21	80	143.0
70500.W0302	Steel	80	M16	35	50	25	40	223.0
70500.W0304	Steel	80	M16	35	50	25	50	237.0
70500.W0306	Steel	80	M16	35	50	25	60	232.0
70500.W0308	Steel	80	M16	35	50	25	80	274.0
70500.W1051	Stainless Steel	25	M 5	12	16	8	10	7.3
70500.W1054	Stainless Steel	25	M 5	12	16	8	15	7.2
70500.W1056	Stainless Steel	25	M 5	12	16	8	20	8.7



Star Grips

with grub screw - DIN 6336

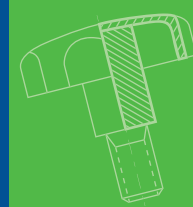


Order No.	Material	d ₁	d ₂	d ₃	h ₁	h ₂	l ₁	Weight g
70500.W1058	Stainless Steel	25	M 5	12	16	8	25	8.7
70500.W1060	Stainless Steel	25	M 5	12	16	8	30	9.2
70500.W1102	Stainless Steel	32	M 6	14	20	10	15	14.0
70500.W1104	Stainless Steel	32	M 6	14	20	10	20	14.0
70500.W1106	Stainless Steel	32	M 6	14	20	10	25	14.0
70500.W1108	Stainless Steel	32	M 6	14	20	10	30	16.0
70500.W1110	Stainless Steel	32	M 6	14	20	10	40	17.0
70500.W1152	Stainless Steel	40	M 8	18	25	13	20	28.0
70500.W1154	Stainless Steel	40	M 8	18	25	13	25	30.0
70500.W1156	Stainless Steel	40	M 8	18	25	13	30	32.0
70500.W1158	Stainless Steel	40	M 8	18	25	13	40	35.0
70500.W1160	Stainless Steel	40	M 8	18	25	13	50	38.0
70500.W1202	Stainless Steel	50	M10	22	32	17	25	51.0
70500.W1204	Stainless Steel	50	M10	22	32	17	30	54.0
70500.W1206	Stainless Steel	50	M10	22	32	17	40	60.0
70500.W1208	Stainless Steel	50	M10	22	32	17	50	64.0
70500.W1210	Stainless Steel	50	M10	22	32	17	60	77.0
70500.W1252	Stainless Steel	63	M12	26	40	21	30	101.0
70500.W1254	Stainless Steel	63	M12	26	40	21	40	108.0
70500.W1256	Stainless Steel	63	M12	26	40	21	50	115.0
70500.W1258	Stainless Steel	63	M12	26	40	21	60	121.0
70500.W1260	Stainless Steel	63	M12	26	40	21	80	143.0
70500.W1302	Stainless Steel	80	M16	35	50	25	40	223.0
70500.W1304	Stainless Steel	80	M16	35	50	25	50	237.0
70500.W1306	Stainless Steel	80	M16	35	50	25	60	232.0
70500.W1308	Stainless Steel	80	M16	35	50	25	80	274.0

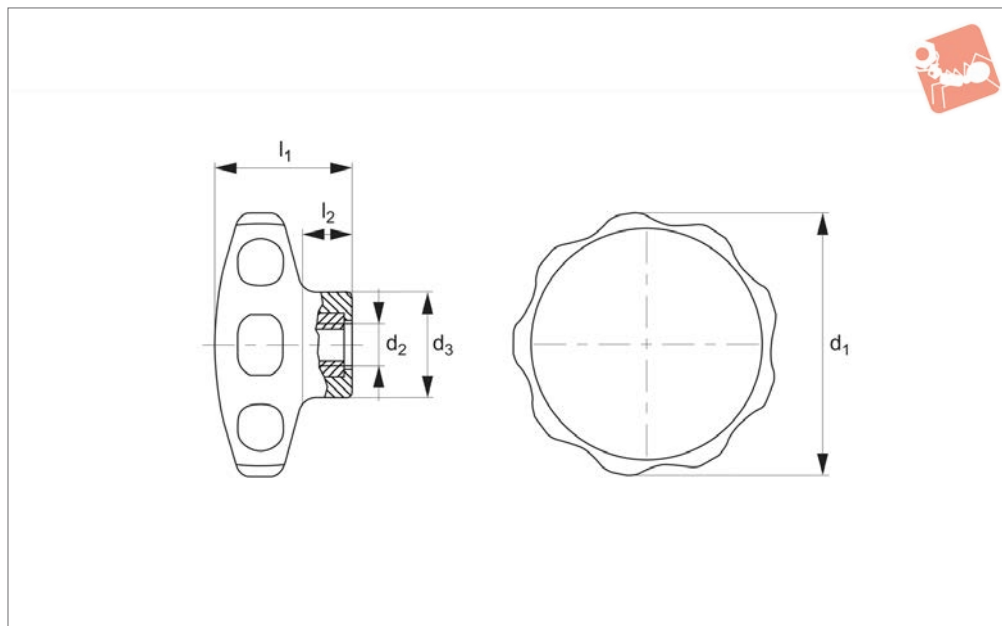


Star Grips

with stainless steel bush



Grips



70600

GRIPS

Material

Grip: thermoplast (PA 6) Black RAL 9005.
 Cap: thermoplast (PA 6)
 Black RAL 9005, White RAL 9019, Yellow
 RAL 1016, Orange RAL 2004, Blue RAL

5015.

Threaded bush: stainless steel.

Technical Notes

Temperature range - 30°C to + 80°C.

Special types e.g, differing threads
 available on request, subject to minimum
 quantity.

Order No.	Colour	d ₁	d ₂	d ₃	l ₁	l ₂	Weight g
70600.W0030	Black	30	M 4	14.0	19	7	5.3
70600.W0031	White	30	M 4	14.0	19	7	5.3
70600.W0032	Orange	30	M 4	14.0	19	7	5.3
70600.W0033	Yellow	30	M 4	14.0	19	7	5.3
70600.W0034	Blue	30	M 4	14.0	19	7	5.3
70600.W0035	Black	30	M 5	14.0	19	7	5.7
70600.W0036	White	30	M 5	14.0	19	7	5.7
70600.W0037	Orange	30	M 5	14.0	19	7	5.7
70600.W0038	Yellow	30	M 5	14.0	19	7	5.7
70600.W0039	Blue	30	M 5	14.0	19	7	5.7
70600.W0040	Black	40	M 5	16.5	22	9	8.2
70600.W0041	White	40	M 5	16.5	22	9	8.2
70600.W0042	Orange	40	M 5	16.5	22	9	8.2
70600.W0043	Yellow	40	M 5	16.5	22	9	8.2
70600.W0044	Blue	40	M 5	16.5	22	9	8.2
70600.W0045	Black	40	M 6	16.5	22	9	9.5
70600.W0046	White	40	M 6	16.5	22	9	9.5
70600.W0047	Orange	40	M 6	16.5	22	9	9.5
70600.W0048	Yellow	40	M 6	16.5	22	9	9.5
70600.W0049	Blue	40	M 6	16.5	22	9	9.5
70600.W0050	Black	50	M 6	22.0	26	10	16.0
70600.W0051	White	50	M 6	22.0	26	10	16.0
70600.W0052	Orange	50	M 6	22.0	26	10	16.0
70600.W0053	Yellow	50	M 6	22.0	26	10	16.0
70600.W0054	Blue	50	M 6	22.0	26	10	16.0
70600.W0055	Black	50	M 8	22.0	26	10	19.0
70600.W0056	White	50	M 8	22.0	26	10	19.0
70600.W0057	Orange	50	M 8	22.0	26	10	19.0
70600.W0058	Yellow	50	M 8	22.0	26	10	19.0
70600.W0059	Blue	50	M 8	22.0	26	10	19.0
70600.W0060	Black	62	M 8	22.0	35	13	19.0
70600.W0061	White	62	M 8	22.0	35	13	19.0
70600.W0062	Orange	62	M 8	22.0	35	13	19.0

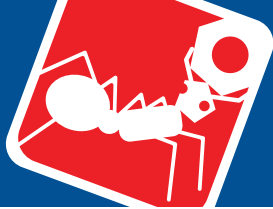


Star Grips

with stainless steel bush

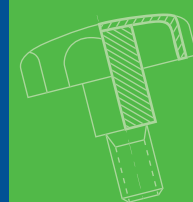


Order No.	Colour	d ₁	d ₂	d ₃	l ₁	l ₂	Weight g
70600.W0063	Yellow	62	M 8	22.0	35	13	19.0
70600.W0064	Blue	62	M 8	22.0	35	13	19.0
70600.W0065	Black	62	M10	22.0	35	13	39.0
70600.W0066	White	62	M10	22.0	35	13	39.0
70600.W0067	Orange	62	M10	22.0	35	13	39.0
70600.W0068	Yellow	62	M10	22.0	35	13	39.0
70600.W0069	Blue	62	M10	22.0	35	13	39.0

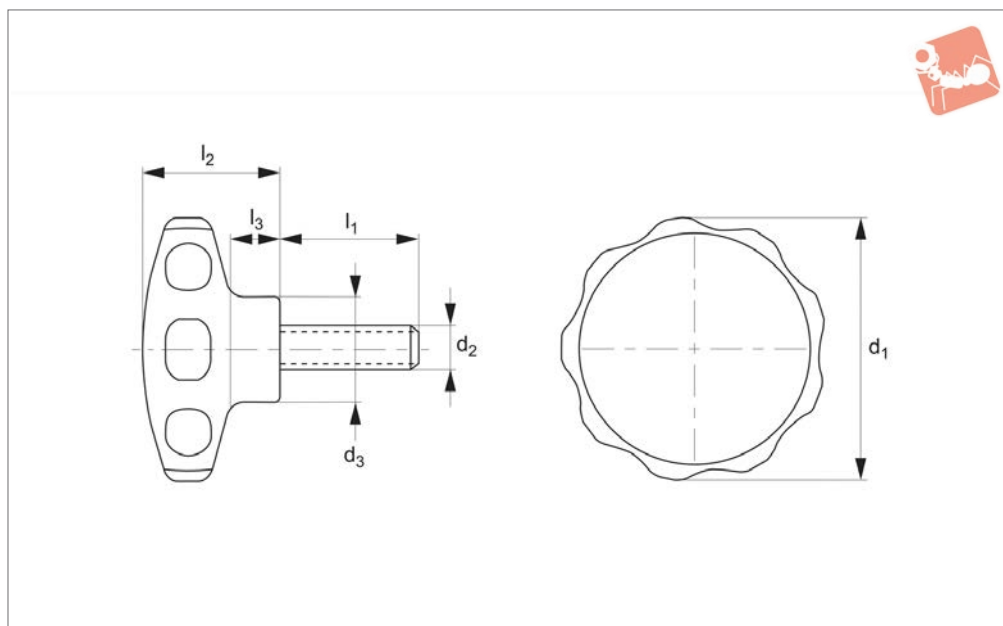


Star Grips

with stainless steel grub screw



Grips



70610

GRIPS

Material

Grip: thermoplast (PA 6) Black RAL 9005.
 Cap: thermoplast (PA 6)
 Black RAL 9005, white RAL 9019, orange
 RAL 2004, yellow RAL 1016, blue RAL

5015.

Threaded bush: stainless steel.

Technical Notes

Temperature range -30°C to +80°C.

Special types e.g. differing threads
 available on request, subject to minimum
 order quantity.

Order No.	Colour	d ₁	d ₂	d ₃	l ₁	l ₂	l ₃	Weight g
70610.W0100	Black	30	M 4	14.0	10	19	7	6.1
70610.W0101	White	30	M 4	14.0	10	19	7	6.1
70610.W0102	Orange	30	M 4	14.0	10	19	7	6.1
70610.W0103	Yellow	30	M 4	14.0	10	19	7	6.1
70610.W0104	Blue	30	M 4	14.0	10	19	7	6.1
70610.W0110	Black	30	M 4	14.0	14	19	7	6.6
70610.W0111	White	30	M 4	14.0	14	19	7	6.6
70610.W0112	Orange	30	M 4	14.0	14	19	7	6.6
70610.W0113	Yellow	30	M 4	14.0	14	19	7	6.6
70610.W0114	Blue	30	M 4	14.0	14	19	7	6.6
70610.W0120	Black	30	M 4	14.0	18	19	7	6.9
70610.W0121	White	30	M 4	14.0	18	19	7	6.9
70610.W0122	Orange	30	M 4	14.0	18	19	7	6.9
70610.W0123	Yellow	30	M 4	14.0	18	19	7	6.9
70610.W0124	Blue	30	M 4	14.0	18	19	7	6.9
70610.W0130	Black	30	M 4	14.0	23	19	7	7.3
70610.W0131	White	30	M 4	14.0	23	19	7	7.3
70610.W0132	Orange	30	M 4	14.0	23	19	7	7.3
70610.W0133	Yellow	30	M 4	14.0	23	19	7	7.3
70610.W0134	Blue	30	M 4	14.0	23	19	7	7.3
70610.W0140	Black	30	M 4	14.0	28	19	7	7.7
70610.W0141	White	30	M 4	14.0	28	19	7	7.7
70610.W0142	Orange	30	M 4	14.0	28	19	7	7.7
70610.W0143	Yellow	30	M 4	14.0	28	19	7	7.7
70610.W0144	Blue	30	M 4	14.0	28	19	7	7.7
70610.W0150	Black	30	M 5	14.0	10	19	7	7.1
70610.W0151	White	30	M 5	14.0	10	19	7	7.1
70610.W0152	Orange	30	M 5	14.0	10	19	7	7.1
70610.W0153	Yellow	30	M 5	14.0	10	19	7	7.1
70610.W0154	Blue	30	M 5	14.0	10	19	7	7.1
70610.W0160	Black	30	M 5	14.0	14	19	7	7.9
70610.W0161	White	30	M 5	14.0	14	19	7	7.9
70610.W0162	Orange	30	M 5	14.0	14	19	7	7.9



Order No.	Colour	d ₁	d ₂	d ₃	l ₁	l ₂	l ₃	Weight g
70610.W0163	Yellow	30	M 5	14.0	14	19	7	7.9
70610.W0164	Blue	30	M 5	14.0	14	19	7	7.9
70610.W0170	Black	30	M 5	14.0	18	19	7	8.4
70610.W0171	White	30	M 5	14.0	18	19	7	8.4
70610.W0172	Orange	30	M 5	14.0	18	19	7	8.4
70610.W0173	Yellow	30	M 5	14.0	18	19	7	8.4
70610.W0174	Blue	30	M 5	14.0	18	19	7	8.4
70610.W0180	Black	30	M 5	14.0	23	19	7	9.0
70610.W0181	White	30	M 5	14.0	23	19	7	9.0
70610.W0182	Orange	30	M 5	14.0	23	19	7	9.0
70610.W0183	Yellow	30	M 5	14.0	23	19	7	9.0
70610.W0184	Blue	30	M 5	14.0	23	19	7	9.0
70610.W0190	Black	30	M 5	14.0	28	19	7	9.0
70610.W0191	White	30	M 5	14.0	28	19	7	9.0
70610.W0192	Orange	30	M 5	14.0	28	19	7	9.0
70610.W0193	Yellow	30	M 5	14.0	28	19	7	9.0
70610.W0194	Blue	30	M 5	14.0	28	19	7	9.0
70610.W0200	Black	40	M 5	16.5	10	22	9	9.6
70610.W0201	White	40	M 5	16.5	10	22	9	9.6
70610.W0202	Orange	40	M 5	16.5	10	22	9	9.6
70610.W0203	Yellow	40	M 5	16.5	10	22	9	9.6
70610.W0204	Blue	40	M 5	16.5	10	22	9	9.6
70610.W0210	Black	40	M 5	16.5	14	22	9	10.0
70610.W0211	White	40	M 5	16.5	14	22	9	10.0
70610.W0212	Orange	40	M 5	16.5	14	22	9	10.0
70610.W0213	Yellow	40	M 5	16.5	14	22	9	10.0
70610.W0214	Blue	40	M 5	16.5	14	22	9	10.0
70610.W0220	Black	40	M 5	16.5	18	22	9	11.0
70610.W0221	White	40	M 5	16.5	18	22	9	11.0
70610.W0222	Orange	40	M 5	16.5	18	22	9	11.0
70610.W0223	Yellow	40	M 5	16.5	18	22	9	11.0
70610.W0224	Blue	40	M 5	16.5	18	22	9	11.0
70610.W0230	Black	40	M 5	16.5	23	22	9	12.0
70610.W0231	White	40	M 5	16.5	23	22	9	12.0
70610.W0232	Orange	40	M 5	16.5	23	22	9	12.0
70610.W0233	Yellow	40	M 5	16.5	23	22	9	12.0
70610.W0234	Blue	40	M 5	16.5	23	22	9	12.0
70610.W0250	Black	40	M 6	16.5	14	22	9	12.0
70610.W0251	White	40	M 6	16.5	14	22	9	12.0
70610.W0252	Orange	40	M 6	16.5	14	22	9	12.0
70610.W0253	Yellow	40	M 6	16.5	14	22	9	12.0
70610.W0254	Blue	40	M 6	16.5	14	22	9	12.0
70610.W0260	Black	40	M 6	16.5	18	22	9	13.0
70610.W0261	White	40	M 6	16.5	18	22	9	13.0
70610.W0262	Orange	40	M 6	16.5	18	22	9	13.0
70610.W0263	Yellow	40	M 6	16.5	18	22	9	13.0
70610.W0264	Blue	40	M 6	16.5	18	22	9	13.0
70610.W0270	Black	40	M 6	16.5	23	22	9	14.0
70610.W0271	White	40	M 6	16.5	23	22	9	14.0
70610.W0272	Orange	40	M 6	16.5	23	22	9	14.0
70610.W0273	Yellow	40	M 6	16.5	23	22	9	14.0
70610.W0274	Blue	40	M 6	16.5	23	22	9	14.0
70610.W0280	Black	40	M 6	16.5	28	22	9	15.0
70610.W0281	White	40	M 6	16.5	28	22	9	15.0
70610.W0282	Orange	40	M 6	16.5	28	22	9	15.0
70610.W0283	Yellow	40	M 6	16.5	28	22	9	15.0
70610.W0284	Blue	40	M 6	16.5	28	22	9	15.0
70610.W0290	Black	40	M 6	16.5	38	22	9	16.0
70610.W0291	White	40	M 6	16.5	38	22	9	16.0
70610.W0292	Orange	40	M 6	16.5	38	22	9	16.0
70610.W0293	Yellow	40	M 6	16.5	38	22	9	16.0
70610.W0294	Blue	40	M 6	16.5	38	22	9	16.0
70610.W0300	Black	50	M 6	22.0	14	26	10	19.0
70610.W0301	White	50	M 6	22.0	14	26	10	19.0
70610.W0302	Orange	50	M 6	22.0	14	26	10	19.0
70610.W0303	Yellow	50	M 6	22.0	14	26	10	19.0
70610.W0304	Blue	50	M 6	22.0	14	26	10	19.0
70610.W0310	Black	50	M 6	22.0	18	26	10	19.0



Star Grips

with stainless steel grub screw



Grips

Order No.	Colour	d ₁	d ₂	d ₃	l ₁	l ₂	l ₃	Weight g
70610.W0311	White	50	M 6	22.0	18	26	10	19.0
70610.W0312	Orange	50	M 6	22.0	18	26	10	19.0
70610.W0313	Yellow	50	M 6	22.0	18	26	10	19.0
70610.W0314	Blue	50	M 6	22.0	18	26	10	19.0
70610.W0320	Black	50	M 6	22.0	23	26	10	20.0
70610.W0321	White	50	M 6	22.0	23	26	10	20.0
70610.W0322	Orange	50	M 6	22.0	23	26	10	20.0
70610.W0323	Yellow	50	M 6	22.0	23	26	10	20.0
70610.W0324	Blue	50	M 6	22.0	23	26	10	20.0
70610.W0330	Black	50	M 6	22.0	28	26	10	21.0
70610.W0331	White	50	M 6	22.0	28	26	10	21.0
70610.W0332	Orange	50	M 6	22.0	28	26	10	21.0
70610.W0333	Yellow	50	M 6	22.0	28	26	10	21.0
70610.W0334	Blue	50	M 6	22.0	28	26	10	21.0
70610.W0340	Black	50	M 6	22.0	38	26	10	23.0
70610.W0341	White	50	M 6	22.0	38	26	10	23.0
70610.W0342	Orange	50	M 6	22.0	38	26	10	23.0
70610.W0343	Yellow	50	M 6	22.0	38	26	10	23.0
70610.W0344	Blue	50	M 6	22.0	38	26	10	23.0
70610.W0350	Black	50	M 8	22.0	18	26	10	26.0
70610.W0351	White	50	M 8	22.0	18	26	10	26.0
70610.W0352	Orange	50	M 8	22.0	18	26	10	26.0
70610.W0353	Yellow	50	M 8	22.0	18	26	10	26.0
70610.W0354	Blue	50	M 8	22.0	18	26	10	26.0
70610.W0360	Black	50	M 8	22.0	23	26	10	27.0
70610.W0361	White	50	M 8	22.0	23	26	10	27.0
70610.W0362	Orange	50	M 8	22.0	23	26	10	27.0
70610.W0363	Yellow	50	M 8	22.0	23	26	10	27.0
70610.W0364	Blue	50	M 8	22.0	23	26	10	27.0
70610.W0370	Black	50	M 8	22.0	28	26	10	29.0
70610.W0371	White	50	M 8	22.0	28	26	10	29.0
70610.W0372	Orange	50	M 8	22.0	28	26	10	29.0
70610.W0373	Yellow	50	M 8	22.0	28	26	10	29.0
70610.W0374	Blue	50	M 8	22.0	28	26	10	29.0
70610.W0380	Black	50	M 8	22.0	38	26	10	32.0
70610.W0381	White	50	M 8	22.0	38	26	10	32.0
70610.W0382	Orange	50	M 8	22.0	38	26	10	32.0
70610.W0383	Yellow	50	M 8	22.0	38	26	10	32.0
70610.W0384	Blue	50	M 8	22.0	38	26	10	32.0
70610.W0390	Black	50	M 8	22.0	48	26	10	35.0
70610.W0391	White	50	M 8	22.0	48	26	10	35.0
70610.W0392	Orange	50	M 8	22.0	48	26	10	35.0
70610.W0393	Yellow	50	M 8	22.0	48	26	10	35.0
70610.W0394	Blue	50	M 8	22.0	48	26	10	35.0
70610.W0400	Black	62	M 8	22.0	18	35	13	40.0
70610.W0401	White	62	M 8	22.0	18	35	13	40.0
70610.W0402	Orange	62	M 8	22.0	18	35	13	40.0
70610.W0403	Yellow	62	M 8	22.0	18	35	13	40.0
70610.W0404	Blue	62	M 8	22.0	18	35	13	40.0
70610.W0410	Black	62	M 8	22.0	23	35	13	41.0
70610.W0411	White	62	M 8	22.0	23	35	13	41.0
70610.W0412	Orange	62	M 8	22.0	23	35	13	41.0
70610.W0413	Yellow	62	M 8	22.0	23	35	13	41.0
70610.W0414	Blue	62	M 8	22.0	23	35	13	41.0
70610.W0420	Black	62	M 8	22.0	28	35	13	43.0
70610.W0421	White	62	M 8	22.0	28	35	13	43.0
70610.W0422	Orange	62	M 8	22.0	28	35	13	43.0
70610.W0423	Yellow	62	M 8	22.0	28	35	13	43.0
70610.W0424	Blue	62	M 8	22.0	28	35	13	43.0
70610.W0430	Black	62	M 8	22.0	38	35	13	46.0
70610.W0431	White	62	M 8	22.0	38	35	13	46.0
70610.W0432	Orange	62	M 8	22.0	38	35	13	46.0
70610.W0433	Yellow	62	M 8	22.0	38	35	13	46.0
70610.W0434	Blue	62	M 8	22.0	38	35	13	46.0
70610.W0440	Black	62	M 8	22.0	48	35	13	49.0
70610.W0441	White	62	M 8	22.0	48	35	13	49.0
70610.W0442	Orange	62	M 8	22.0	48	35	13	49.0
70610.W0443	Yellow	62	M 8	22.0	48	35	13	49.0

GRIPS

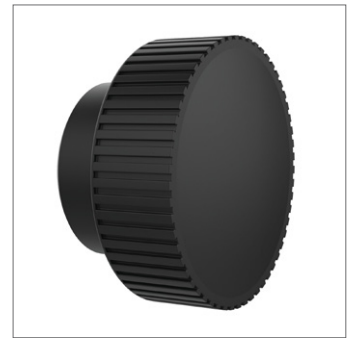
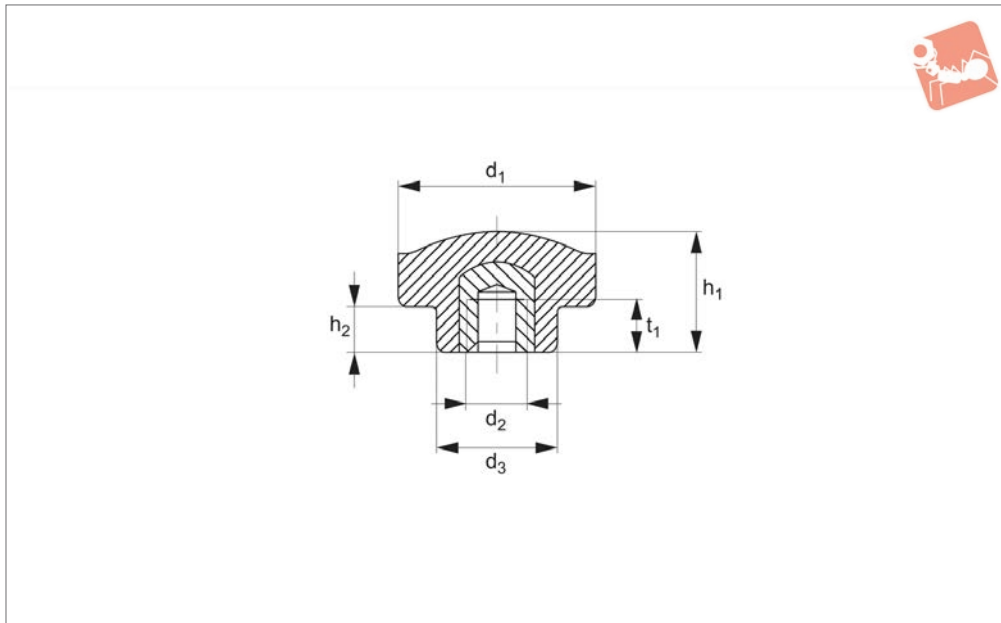
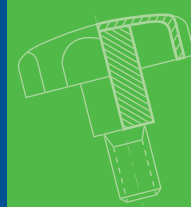


Star Grips

with stainless steel grub screw



Order No.	Colour	d ₁	d ₂	d ₃	l ₁	l ₂	l ₃	Weight g
70610.W0444	Blue	62	M 8	22.0	48	35	13	49.0
70610.W0450	Black	62	M10	22.0	23	35	13	51.0
70610.W0451	White	62	M10	22.0	23	35	13	51.0
70610.W0452	Orange	62	M10	22.0	23	35	13	51.0
70610.W0453	Yellow	62	M10	22.0	23	35	13	51.0
70610.W0454	Blue	62	M10	22.0	23	35	13	51.0
70610.W0460	Black	62	M10	22.0	28	35	13	54.0
70610.W0461	White	62	M10	22.0	28	35	13	54.0
70610.W0462	Orange	62	M10	22.0	28	35	13	54.0
70610.W0463	Yellow	62	M10	22.0	28	35	13	54.0
70610.W0464	Blue	62	M10	22.0	28	35	13	54.0
70610.W0470	Black	62	M10	22.0	38	35	13	59.0
70610.W0471	White	62	M10	22.0	38	35	13	59.0
70610.W0472	Orange	62	M10	22.0	38	35	13	59.0
70610.W0473	Yellow	62	M10	22.0	38	35	13	59.0
70610.W0474	Blue	62	M10	22.0	38	35	13	59.0
70610.W0480	Black	62	M10	22.0	48	35	13	64.0
70610.W0481	White	62	M10	22.0	48	35	13	64.0
70610.W0482	Orange	62	M10	22.0	48	35	13	64.0
70610.W0483	Yellow	62	M10	22.0	48	35	13	64.0
70610.W0484	Blue	62	M10	22.0	48	35	13	64.0
70610.W0490	Black	62	M10	22.0	58	35	13	69.0
70610.W0491	White	62	M10	22.0	58	35	13	69.0
70610.W0492	Orange	62	M10	22.0	58	35	13	69.0
70610.W0493	Yellow	62	M10	22.0	58	35	13	69.0
70610.W0494	Blue	62	M10	22.0	58	35	13	69.0



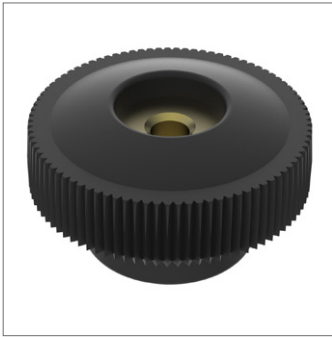
72410

GRIPS

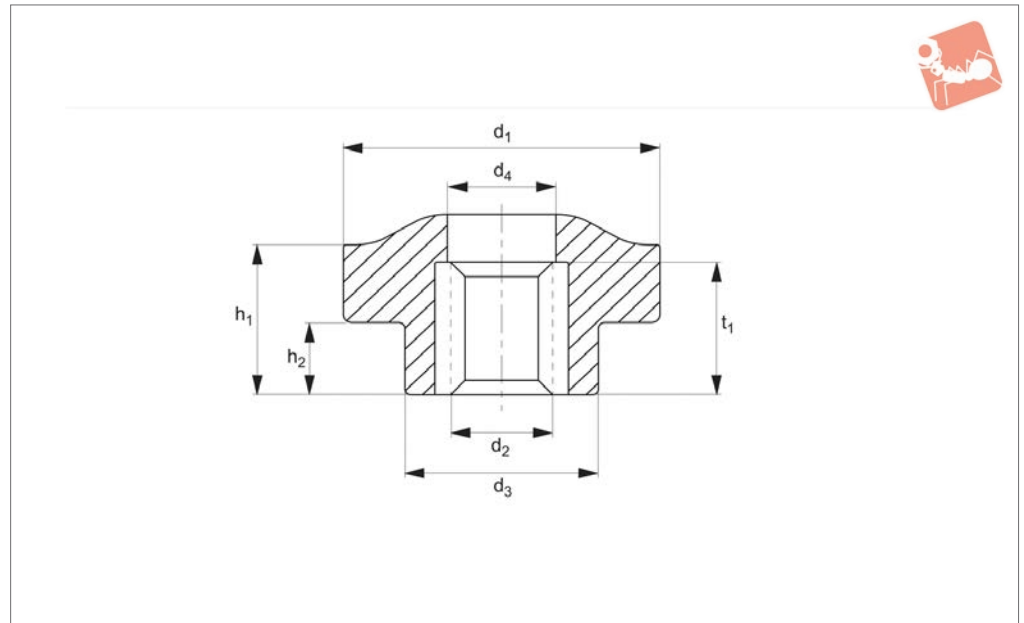
Material

Brass bush with tapped hole. Thermoplastic, black, matt.

Order No.	d ₁	d ₂	d ₃	h ₁	h ₂	t ₁	Weight g
72410.W0224	22	M 4	15	14	6	8	7
72410.W0225	22	M 5	15	14	6	8	8
72410.W0226	22	M 6	15	14	6	8	8
72410.W0228	22	M 8	15	14	6	8	7
72410.W0244	24	M 4	15	14	6	8	8
72410.W0245	24	M 5	15	14	6	8	9
72410.W0246	24	M 6	15	14	6	8	7
72410.W0248	24	M 8	15	14	6	8	8
72410.W0264	26	M 4	16	15	6	8	11
72410.W0265	26	M 5	16	15	6	8	11
72410.W0266	26	M 6	16	15	6	8	11
72410.W0268	26	M 8	16	15	6	8	10



72420

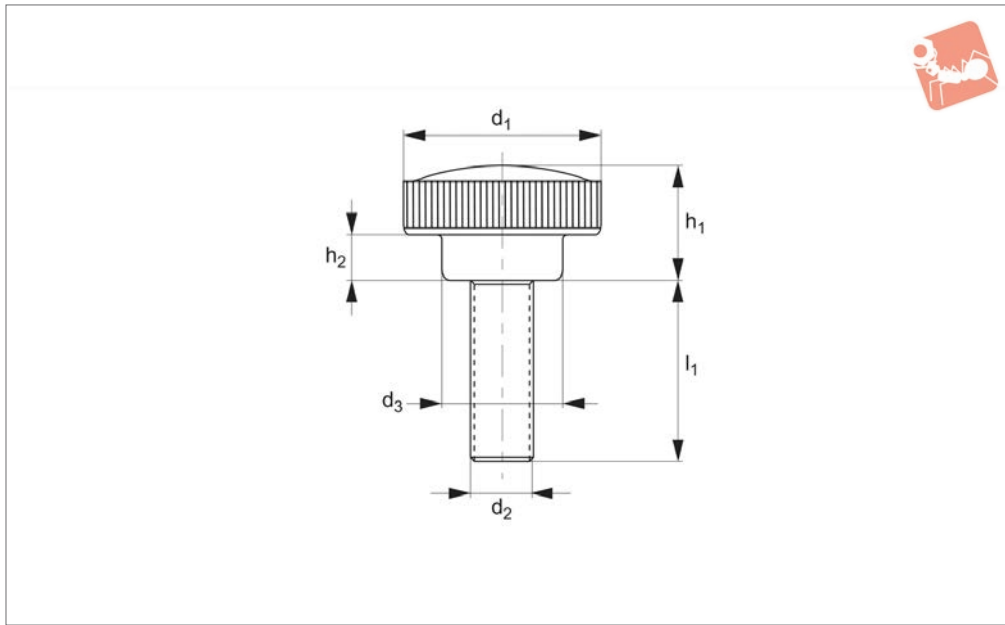
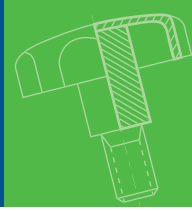


Material

Brass bush with tapped through hole.

Thermoplastic, black, matt.

Order No.	d_1	d_2	d_3	d_4	h_1	h_2	t_1	Weight g
72420.W0154	15	M 4	11	7	14	7	11	4
72420.W0155	15	M 5	11	7	14	7	11	4
72420.W0224	22	M 4	15	9	14	6	11	7
72420.W0225	22	M 5	15	9	14	6	11	7
72420.W0226	22	M 6	15	9	14	6	11	7
72420.W0228	22	M 8	15	9	14	6	11	7
72420.W0244	24	M 4	15	9	14	6	11	7
72420.W0245	24	M 5	15	9	14	6	11	9
72420.W0246	24	M 6	15	9	14	6	11	8
72420.W0248	24	M 8	15	9	14	6	11	8
72420.W0264	26	M 4	16	9	15	6	11	9
72420.W0265	26	M 5	16	9	15	6	11	9
72420.W0266	26	M 6	16	9	15	6	11	9
72420.W0268	26	M 8	16	9	15	6	11	9
72420.W0326	32	M 6	19	9	18	8	11	11
72420.W0328	32	M 8	19	9	18	8	11	12



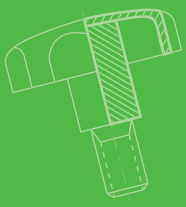
72430

GRIPS

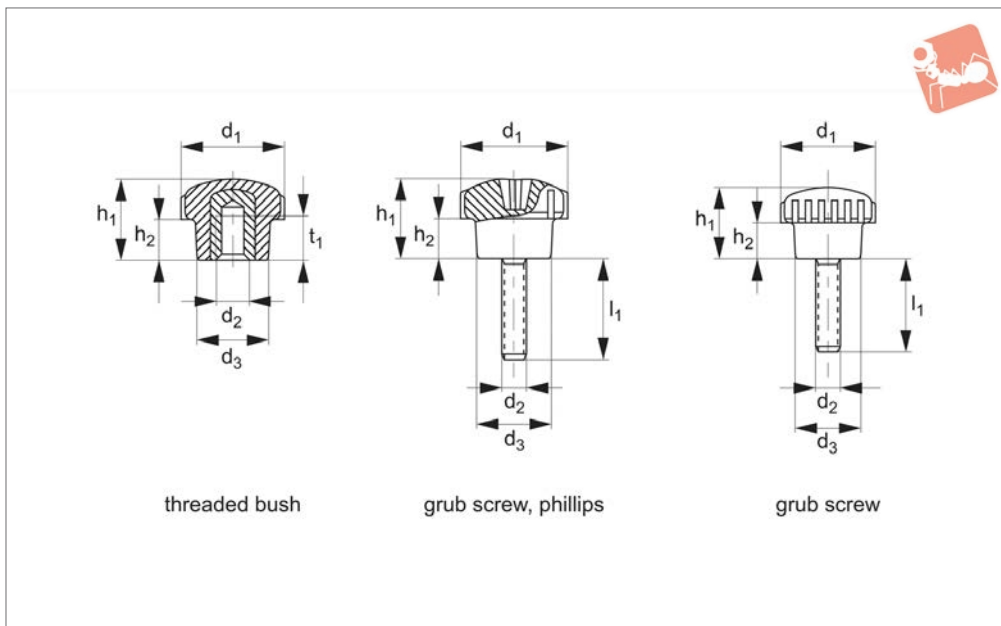
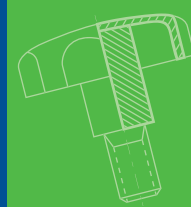
Material

Zinc plated steel stud. Thermoplastic, black, matt.

Order No.	d ₁	d ₂	d ₃	h ₁	h ₂	l ₁	Weight g
72430.W0151	15	M 4	11	14	7	10	4.0
72430.WX151	15	M 4	11	14	7	15	4.0
72430.W0152	15	M 5	11	14	7	10	4.0
72430.W0220	22	M 4	15	14	6	10	6.0
72430.W0221	22	M 4	15	14	6	25	6.0
72430.WX221	22	M 5	10	14	6	15	7.0
72430.W0222	22	M 5	15	14	6	15	7.0
72430.WX222	22	M 6	15	14	6	10	8.0
72430.W0223	22	M 6	15	14	6	15	8.0
72430.WX223	22	M 6	15	14	6	20	9.0
72430.W0224	22	M 6	15	14	6	25	9.0
72430.W0225	22	M 6	15	14	6	30	11.0
72430.WX225	22	M 6	15	14	6	35	12.0
72430.W0226	22	M 6	15	14	6	40	13.0
72430.W0241	24	M 4	15	14	6	10	5.0
72430.W0242	24	M 4	15	14	6	25	6.0
72430.W0243	24	M 5	15	14	6	10	8.0
72430.W0244	24	M 6	15	14	6	10	6.0
72430.WX244	24	M 6	15	14	6	15	10
72430.W0245	24	M 6	15	14	6	25	11.0
72430.W0250	26	M 5	15	14	6	10	9.0
72430.W0261	26	M 5	16	15	6	15	10.0
72430.W0262	26	M 5	16	15	6	25	11.0
72430.WX262	26	M 6	16	15	6	10	10
72430.W0263	26	M 6	16	15	6	15	11.0
72430.W0264	26	M 6	16	15	6	20	12.0
72430.W0265	26	M 6	16	15	6	25	13.0
72430.W0266	26	M 6	16	15	6	40	15.0
72430.W0267	26	M 8	16	15	6	25	17.0
72430.W0268	32	M 6	19	18	8	15	13
72430.W0269	32	M 6	19	18	8	0	14
72430.W0270	32	M 6	19	18	8	25	15
72430.W0271	32	M 6	19	18	8	30	16
72430.W0272	32	M 6	19	18	8	40	18



Order No.	d ₁	d ₂	d ₃	h ₁	h ₂	l ₁	Weight g
72430.W0273	32	M 8	19	18	8	15	19
72430.W0274	32	M 8	19	18	8	25	22
72430.W0275	32	M 8	19	18	8	40	27



72440

GRIPS

Material

Thermoplastic, black.

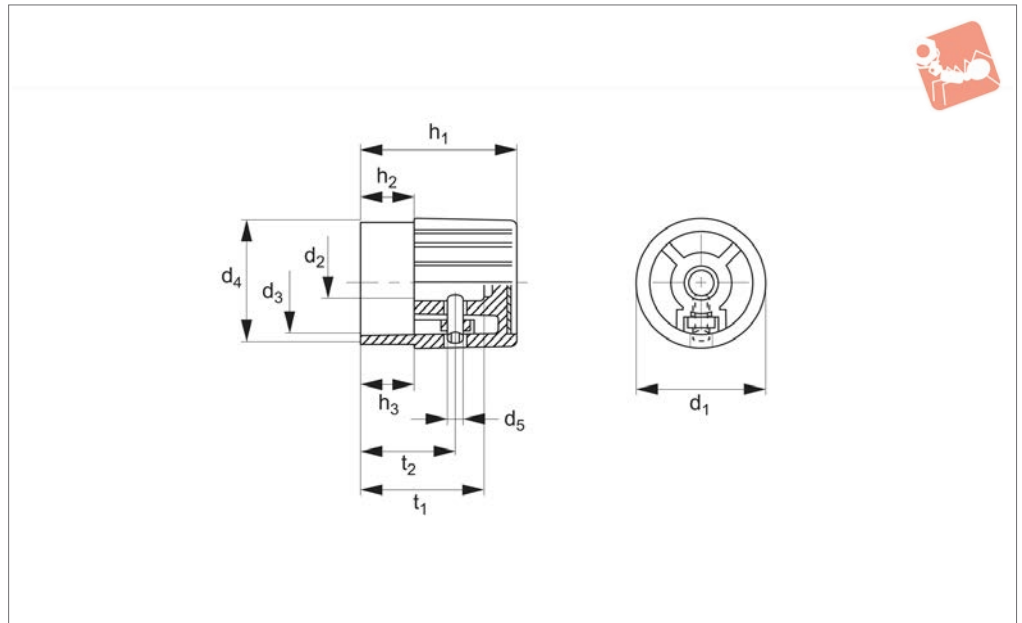
Female type - brass bush.

Male type - zinc plated steel stud.

Order No.	Type	d ₁	d ₂	d ₃	h ₁	h ₂	l ₁	t ₁	Weight g
72440.W0004	Threaded Bush	17	M 4	13	15	8	-	8	6
72440.W0005	Threaded Bush	17	M 5	13	15	8	-	8	6
72440.W0006	Threaded Bush	17	M 6	13	15	8	-	8	6
72440.W0105	Grub Screw, Phillips	17	M 5	13	15	8	20	-	9
72440.W0410	Grub Screw	17	M 4	13	15	8	10	-	4
72440.W0425	Grub Screw	17	M 4	13	15	8	25	-	5
72440.W0515	Grub Screw	17	M 5	13	15	8	15	-	6



72480



Material

Thermoplastic, black, matt.
Reinforced glass fibre.

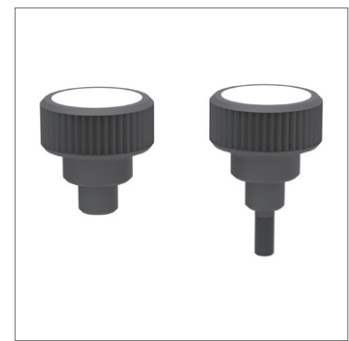
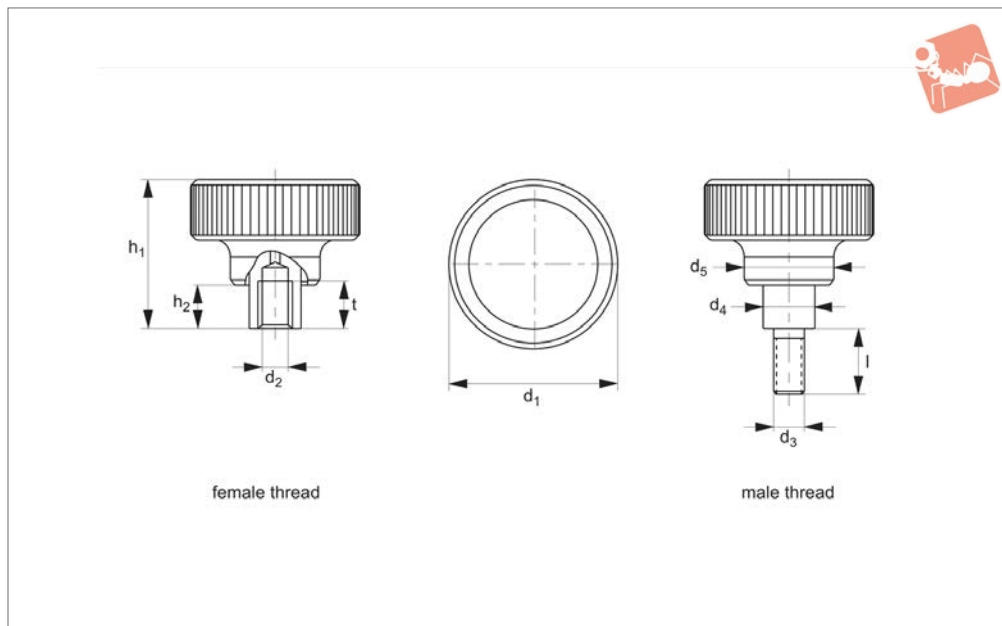
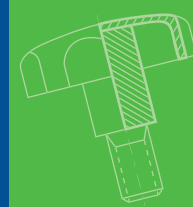
Aluminium cover disk.

Technical Notes

Tapped hole with grub screw for mounting

to shaft. „With Index“ model has laser marked index point on diameter.

Order No.	Type	d ₁	d ₂	d ₃	d ₄	d ₅	h ₁	h ₂	h ₃	t ₁	t ₂	Weight g
72480.W0002	W/o Index	27	6	22	25	M 4	30	12	12	25	18	10
72480.W0004	W/o Index	32	8	25	30	M 4	38	13	13	30	23	22
72480.W0006	W/o Index	35	10	28	33	M 5	45	15	15	37	27	30
72480.W0102	With Index	27	6	22	25	M 4	30	12	12	25	18	12
72480.W0104	With Index	32	8	25	30	M 4	38	13	13	30	23	22
72480.W0106	With Index	35	10	28	33	M 5	45	15	15	37	27	30



72485

GRIPS

Material

Cap: thermoplastic PA 6, light grey, similar to RAL 7035

Torque mechanism: Steel, hardened.

Body: Aluminium, black anodised

Inner part: Steel, blackened

Technical Notes

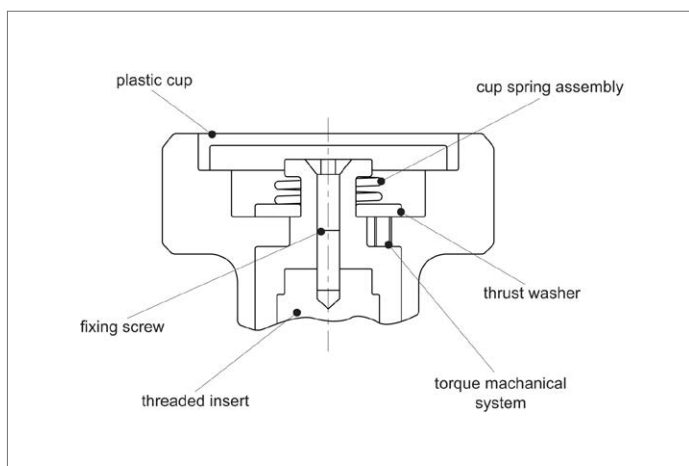
The handle with intergrate torque

mechanism allows a defined torque during tightening. Reaching the torque results in a „over-looking“. For releasing the torque is transmitted indefinitely.

Order No.	Type	d ₁	d ₂	d ₃	d ₄	d ₅	h ₁	h ₂	l	t	Tightening torque Nm ±10% max.	Weight g
72485.W0020	Female	34	M 3	-	10	21	37.5	9.5	-	7	1.0	48
72485.W0022	Female	34	M 4	-	10	21	37.5	9.5	-	9	1.0	48
72485.W0024	Female	34	M 5	-	10	21	37.5	9.5	-	9	1.0	48
72485.W0026	Female	34	M 6	-	10	21	37.5	9.5	-	9	1.0	48
72485.W0030	Female	42	M 6	-	13.5	27	43.5	11.5	-	11	2.0	127
72485.W0032	Female	42	M8	-	13.5	27	43.5	11.5	-	11	2.0	127
72485.W0040	Female	52	M10	-	19	32	54	15.5	-	17	3.0	206
72485.W0042	Female	52	M12	-	19	32	54	15.5	-	17	3	206
72485.W0050	Female	62	M10	-	19	33	54	15.5	-	17	4	285
72485.W0052	Female	62	M12	-	19	33	54	15.5	-	17	4	285
72485.W0060	Female	62	M10	-	19	33	54	15.5	-	17	5.5	285
72485.W0062	Female	62	M12	-	19	33	54	15.5	-	17	5.5	285
72485.W0300	Male	34	-	M 5	10	21	37.5	9.5	12	-	1.0	62
72485.W0301	Male	34	-	M 5	10	21	37.5	9.5	16	-	1.0	63
72485.W0302	Male	34	-	M 5	10	21	37.5	9.5	20	-	1.0	63
72485.W0303	Male	34	-	M 5	10	21	37.5	9.5	25	-	1.0	64
72485.W0304	Male	34	-	M 5	10	21	37.5	9.5	32	-	1.0	65
72485.W0305	Male	34	-	M 6	10	21	37.5	9.5	12	-	1.0	64
72485.W0306	Male	34	-	M 6	10	21	37.5	9.5	16	-	1.0	65
72485.W0307	Male	34	-	M 6	10	21	37.5	9.5	20	-	1.0	66
72485.W0308	Male	34	-	M 5	10	21	37.5	9.5	12	-	1.0	67
72485.W0309	Male	34	-	M 6	10	21	37.5	9.5	32	-	1.0	68
72485.W0400	Male	42	-	M 8	13.5	27	43.5	11.5	16	-	2.0	152
72485.W0401	Male	42	-	M 8	13.5	21	43.5	11.5	20	-	2.0	153
72485.W0402	Male	42	-	M 8	13.5	27	43.5	11.5	25	-	2.0	155
72485.W0403	Male	42	-	M 8	13.5	27	43.5	11.5	32	-	2.0	158
72485.W0404	Male	42	-	M 8	13.5	27	43.5	11.5	40	-	2.0	161
72485.W0405	Male	42	-	M10	13.5	27	43.5	11.5	20	-	2.0	165
72485.W0406	Male	42	-	M10	13.5	27	43.5	11.5	25	-	2.0	170
72485.W0407	Male	42	-	M10	13.5	27	43.5	11.5	32	-	2.0	173
72485.W0408	Male	42	-	M 10	13.5	27	43.5	11.5	40	-	2.0	62
72485.W0409	Male	42	-	M10	13.5	27	43.5	11.5	50	-	2.0	187

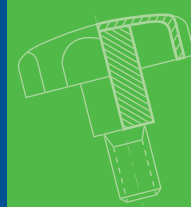


Order No.	Type	d ₁	d ₂	d ₃	d ₄	d ₅	h ₁	h ₂	l	t	Tightening torque Nm ±10% max.	Weight g
72485.W0500	Male	52	-	M10	19	32	54	15.5	25	-	3.0	241
72485.W0501	Male	52	-	M10	19	32	54.0	15.5	32	-	3.0	62
72485.W0502	Male	52	-	M10	19	32	54.0	15.5	40	-	3.0	248
72485.W0503	Male	52	-	M10	19	32	54.0	15.5	50	-	3.0	254
72485.W0504	Male	52	-	M10	19	32	54.0	15.5	63	-	3.0	262
72485.W0505	Male	52	-	M12	19	32	54.0	15.5	32	-	3.0	251
72485.W0506	Male	34	-	M12	19	32	54.0	15.5	25	-	3.0	254
72485.W0507	Male	52	-	M12	19	32	54.0	15.5	40	-	3.0	262
72485.W0508	Male	52	-	M12	19	32	54.0	15.5	50	-	3.0	270
72485.W0509	Male	52	-	M12	19	32	54.0	15.5	63	-	3.0	274
72485.W0600	Male	62	-	M10	19	33	54.0	15.5	25	-	4.0	334
72485.W0601	Male	62	-	M10	19	33	54.0	15.5	32	-	4.0	339
72485.W0602	Male	62	-	M10	19	33	54.0	15.5	40	-	4.0	341
72485.W0603	Male	62	-	M10	19	33	54.0	15.5	50	-	4.0	347
72485.W0604	Male	62	-	M10	19	33	54.0	15.5	63	-	4.0	355
72485.W0605	Male	62	-	M12	19	33	54.0	15.5	25	-	4.0	344
72485.W0606	Male	62	-	M12	19	33	54.0	15.5	25	-	4.0	347
72485.W0607	Male	62	-	M12	19	33	54.0	15.5	40	-	4.0	355
72485.W0608	Male	62	-	M12	19	33	54.0	15.5	50	-	4.0	363
72485.W0609	Male	62	-	M12	19	33	54.0	15.5	50	-	4.0	367
72485.W0700	Male	62	-	M10	19	33	54.0	15.5	25	-	5.5	334
72485.W0701	Male	62	-	M10	19	33	54.0	15.5	32	-	4.0	339
72485.W0702	Male	62	-	M10	19	33	54.0	15.5	40	-	5.5	334
72485.W0703	Male	62	-	M10	19	33	54.0	15.5	25	-	5.5	347
72485.W0704	Male	62	-	M10	19	33	54.0	15.5	63	-	5.5	355
72485.W0705	Male	62	-	M12	19	33	54.0	15.5	25	-	5.5	344
72485.W0706	Male	52	-	M12	19	33	54.0	15.5	32	-	4.0	347
72485.W0707	Male	62	-	M12	19	33	54.0	15.5	40	-	5.5	355
72485.W0708	Male	62	-	M12	19	33	54.0	15.5	50	-	5.5	363
72485.W0709	Male	62	-	M12	19	33	54.0	15.5	63	-	5.5	367

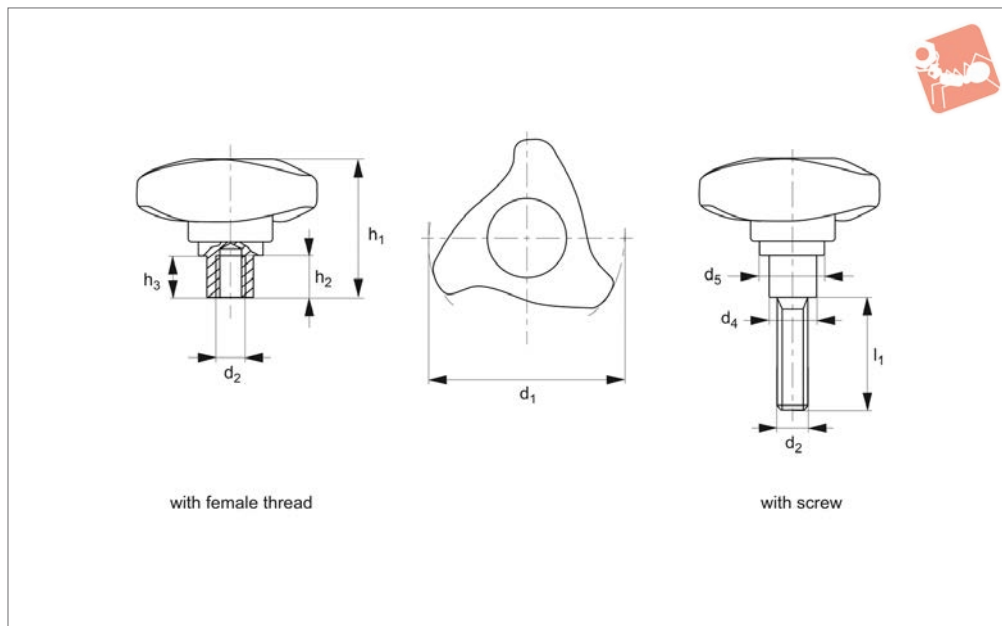




Three-lobed Torque Handles



Grips



72490

GRIPS

Material

Screw: steel, blackened.
 Cap: plastic, light grey.
 Torque mechanism: steel, hardened.
 Inner part: steel, blackened.

mechanism allows a defined torque limitation during tightening.
 Reaching the torque results in an „over-locking“. For releasing the torque is transmitted indefinitely.

Reach: contains SVHC materials > 0,1% w/w.

Technical Notes

The handle with integrated torque

ROHS compliant.

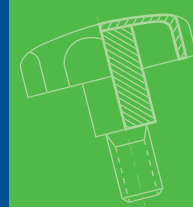
Order No.	Type	d ₁	d ₂	d ₄	d ₅	h ₁	h ₂	h ₃	l ₁	Tightening torque Nm ±10% max.	Weight g
72490.W0020	With female thread	50	M 6	13.5	23.6	41.6	11	10.7	-	2.0	65
72490.W0021	With female thread	50	M 6	13.5	23.6	41.6	11	10.7	-	3.0	62
72490.W0022	With female thread	50	M 6	13.5	23.6	41.6	11	10.7	-	4.0	63
72490.W0023	With female thread	50	M 6	13.5	23.6	41.6	11	10.7	-	2.0	60
72490.W0024	With female thread	50	M 8	13.5	23.6	41.6	11	10.7	-	3.0	60
72490.W0025	With female thread	50	M 8	13.5	23.6	41.6	11	10.7	-	4.0	64
72490.W0030	With female thread	63	M 8	16.0	28.1	46.6	14	12.9	-	3.2	104
72490.W0031	With female thread	63	M 8	16.0	28.1	46.6	14	12.9	-	4.0	105
72490.W0032	With female thread	63	M 8	16.0	28.1	46.6	14	12.9	-	4.7	107
72490.W0033	With female thread	63	M10	16.0	28.1	46.6	14	12.9	-	3.2	103
72490.W0034	With female thread	63	M10	16.0	28.1	46.6	14	12.9	-	4.0	102
72490.W0035	With female thread	63	M10	16.0	28.1	46.6	14	12.9	-	4.7	103
72490.W0040	With female thread	80	M10	19.0	34.1	56.2	17	16.8	-	4.0	172
72490.W0041	With female thread	80	M10	19.0	34.1	56.2	17	16.8	-	5.5	173
72490.W0042	With female thread	80	M10	19.0	34.1	56.2	17	16.8	-	7.5	174
72490.W0043	With female thread	80	M12	19.0	34.1	56.2	17	16.8	-	4.0	167
72490.W0044	With female thread	80	M12	19.0	34.1	56.2	17	16.8	-	5.5	168
72490.W0045	With female thread	80	M12	19.0	34.1	56.2	17	16.8	-	7.5	171
72490.W0300	With screw	50	M 8	13.5	23.6	41.6	-	10.7	16	2.0	72
72490.W0301	With screw	50	M 8	13.5	23.6	41.6	-	10.7	16	3.0	75
72490.W0302	With screw	50	M 8	13.5	23.6	41.6	-	10.7	16	4.0	76
72490.W0303	With screw	50	M 8	13.5	23.6	41.6	-	10.7	20	2.0	70
72490.W0304	With screw	50	M 8	13.5	23.6	41.6	-	10.7	20	3.0	73
72490.W0305	With screw	50	M 8	13.5	23.6	41.6	-	10.7	20	4.0	71
72490.W0306	With screw	50	M 8	13.5	23.6	41.6	-	10.7	25	2.0	72
72490.W0307	With screw	50	M 8	13.5	23.6	41.6	-	10.7	25	3.0	72
72490.W0308	With screw	50	M 8	13.5	23.6	41.6	-	10.7	25	4.0	73
72490.W0309	With screw	50	M 8	13.5	23.6	41.6	-	10.7	32	2.0	77
72490.W0310	With screw	50	M 8	13.5	23.6	41.6	-	10.7	32	3.0	74



Order No.	Type	d ₁	d ₂	d ₄	d ₅	h ₁	h ₂	h ₃	l ₁	Tightening torque Nm ±10% max.	Weight g
72490.W0311	With screw	50	M 8	13.5	23.6	41.6	–	10.7	32	4.0	75
72490.W0312	With screw	50	M 8	13.5	23.6	41.6	–	10.7	40	2.0	76
72490.W0313	With screw	50	M 8	13.5	23.6	41.6	–	10.7	40	3.0	76
72490.W0314	With screw	50	M 8	13.5	23.6	41.6	–	10.7	40	4.0	77
72490.W0315	With screw	50	M10	13.5	23.6	41.6	–	10.7	20	2.0	73
72490.W0316	With screw	50	M10	13.5	23.6	41.6	–	10.7	20	3.0	73
72490.W0317	With screw	50	M10	13.5	23.6	41.6	–	10.7	20	4.0	74
72490.W0318	With screw	50	M10	13.5	23.6	41.6	–	10.7	25	2.0	76
72490.W0319	With screw	50	M10	13.5	23.6	41.6	–	10.7	25	3.0	76
72490.W0320	With screw	50	M10	13.5	23.6	41.6	–	10.7	25	4.0	77
72490.W0321	With screw	50	M10	13.5	23.6	41.6	–	10.7	32	2.0	80
72490.W0322	With screw	50	M10	13.5	23.6	41.6	–	10.7	32	3.0	80
72490.W0323	With screw	50	M10	13.5	23.6	41.6	–	10.7	32	4.0	81
72490.W0324	With screw	50	M10	13.5	23.6	41.6	–	10.7	40	2.0	82
72490.W0325	With screw	50	M10	13.5	23.6	41.6	–	10.7	40	3.0	82
72490.W0326	With screw	50	M10	13.5	23.6	41.6	–	10.7	40	4.0	83
72490.W0327	With screw	50	M10	13.5	23.6	41.6	–	10.7	50	2.0	87
72490.W0328	With screw	50	M10	13.5	23.6	41.6	–	10.7	50	3.0	87
72490.W0329	With screw	50	M10	13.5	23.6	41.6	–	10.7	50	4.0	88
72490.W0400	With screw	63	M 8	16.0	28.1	46.6	–	12.9	25	3.2	116
72490.W0401	With screw	63	M 8	16.0	28.1	46.6	–	12.9	25	4.0	117
72490.W0402	With screw	63	M 8	16.0	28.1	46.6	–	12.9	25	4.7	118
72490.W0403	With screw	63	M 8	16.0	28.1	46.6	–	12.9	32	3.2	119
72490.W0404	With screw	63	M 8	16.0	28.1	46.6	–	12.9	32	4.0	120
72490.W0405	With screw	63	M 8	16.0	28.1	46.6	–	12.9	32	4.7	121
72490.W0406	With screw	63	M 8	16.0	28.1	46.6	–	12.9	40	3.2	82
72490.W0407	With screw	63	M 8	16.0	28.1	46.6	–	12.9	40	4.0	83
72490.W0408	With screw	63	M 8	16.0	28.1	46.6	–	12.9	40	4.7	83
72490.W0409	With screw	63	M 8	16.0	28.1	46.6	–	12.9	50	3.2	128
72490.W0410	With screw	63	M 8	16.0	28.1	46.6	–	12.9	50	4.0	127
72490.W0411	With screw	63	M 8	16.0	28.1	46.6	–	12.9	50	4.7	128
72490.W0412	With screw	63	M 8	16.0	28.1	46.6	–	12.9	63	3.2	130
72490.W0413	With screw	63	M 8	16.0	28.1	46.6	–	12.9	63	4.0	131
72490.W0414	With screw	63	M 8	16.0	28.1	46.6	–	12.9	63	4.7	132
72490.W0415	With screw	63	M10	16.0	28.1	46.6	–	12.9	25	3.2	122
72490.W0416	With screw	63	M10	16.0	28.1	46.6	–	12.9	25	4.0	123
72490.W0417	With screw	63	M10	16.0	28.1	46.6	–	12.9	25	4.7	124
72490.W0418	With screw	63	M10	16.0	28.1	46.6	–	12.9	32	3.2	125
72490.W0419	With screw	63	M10	16.0	28.1	46.6	–	12.9	32	4.0	126
72490.W0420	With screw	63	M10	16.0	28.1	46.6	–	12.9	32	4.7	127
72490.W0421	With screw	63	M10	16.0	28.1	46.6	–	12.9	40	3.2	129
72490.W0422	With screw	63	M10	16.0	28.1	46.6	–	12.9	40	4.0	130
72490.W0423	With screw	63	M10	16.0	28.1	46.6	–	12.9	40	4.7	131
72490.W0424	With screw	63	M10	16.0	28.1	46.6	–	12.9	50	3.2	134
72490.W0425	With screw	63	M10	16.0	28.1	46.6	–	12.9	50	4.0	135
72490.W0426	With screw	63	M10	16.0	28.1	46.6	–	12.9	50	4.7	136
72490.W0427	With screw	63	M10	16.0	28.1	46.6	–	12.9	63	3.2	140
72490.W0428	With screw	63	M10	16.0	28.1	46.6	–	12.9	63	4.0	141
72490.W0429	With screw	63	M10	16.0	28.1	46.6	–	12.9	63	4.7	142
72490.W0500	With screw	80	M10	19.0	34.1	56.2	–	16.8	25	4.0	194
72490.W0501	With screw	80	M10	19.0	34.1	56.2	–	16.8	25	5.5	195
72490.W0502	With screw	80	M10	19.0	34.1	56.2	–	16.8	25	7.5	196
72490.W0503	With screw	80	M10	19.0	34.1	56.2	–	16.8	32	4.0	198
72490.W0504	With screw	80	M10	19.0	34.1	56.2	–	16.8	32	5.5	199
72490.W0505	With screw	80	M10	19.0	34.1	56.2	–	16.8	32	7.5	200
72490.W0506	With screw	80	M10	19.0	34.1	56.2	–	16.8	40	4.0	202
72490.W0507	With screw	80	M10	19.0	34.1	56.2	–	16.8	40	5.5	203
72490.W0508	With screw	80	M10	19.0	34.1	56.2	–	16.8	40	7.5	204
72490.W0509	With screw	80	M10	19.0	34.1	56.2	–	16.8	50	4.0	208
72490.W0510	With screw	80	M10	19.0	34.1	56.2	–	16.8	50	5.5	209
72490.W0511	With screw	80	M10	19.0	34.1	56.2	–	16.8	50	7.5	210
72490.W0512	With screw	80	M10	19.0	34.1	56.2	–	16.8	63	4.0	213
72490.W0513	With screw	80	M10	19.0	34.1	56.2	–	16.8	63	5.5	214
72490.W0514	With screw	80	M10	19.0	34.1	56.2	–	16.8	63	7.5	215
72490.W0515	With screw	80	M12	19.0	34.1	56.2	–	16.8	25	4.0	201
72490.W0516	With screw	80	M12	19.0	34.1	56.2	–	16.8	25	5.5	202
72490.W0517	With screw	80	M12	19.0	34.1	56.2	–	16.8	25	7.5	203



Three-lobed Torque Handles



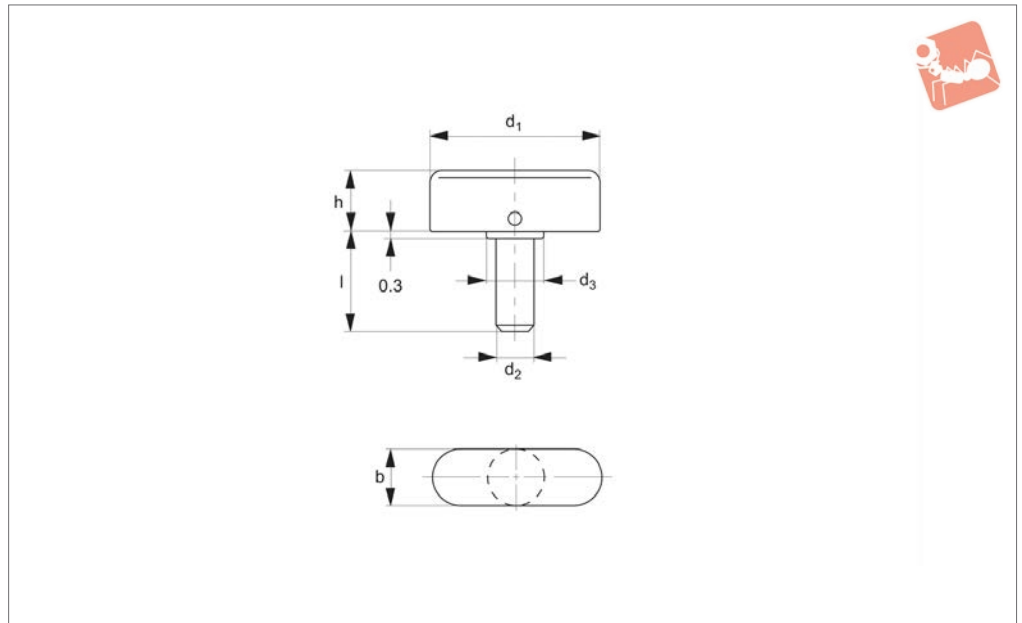
Grips

Order No.	Type	d ₁	d ₂	d ₄	d ₅	h ₁	h ₂	h ₃	l ₁	Tightening torque Nm ±10% max.	Weight g
72490.W0518	With screw	80	M12	19.0	34.1	56.2	–	16.8	32	4.0	205
72490.W0519	With screw	80	M12	19.0	34.1	56.2	–	16.8	32	5.5	206
72490.W0520	With screw	80	M12	19.0	34.1	56.2	–	16.8	32	7.5	207
72490.W0521	With screw	80	M12	19.0	34.1	56.2	–	16.8	40	4.0	210
72490.W0522	With screw	80	M12	19.0	34.1	56.2	–	16.8	40	5.5	211
72490.W0523	With screw	80	M12	19.0	34.1	56.2	–	16.8	40	7.5	212
72490.W0524	With screw	80	M12	19.0	34.1	56.2	–	16.8	50	4.0	218
72490.W0525	With screw	80	M12	19.0	34.1	56.2	–	16.8	50	5.5	219
72490.W0526	With screw	80	M12	19.0	34.1	56.2	–	16.8	50	7.5	220
72490.W0527	With screw	80	M12	19.0	34.1	56.2	–	16.8	63	4.0	227
72490.W0528	With screw	80	M12	19.0	34.1	56.2	–	16.8	63	5.5	228
72490.W0529	With screw	80	M12	19.0	34.1	56.2	–	16.8	63	7.5	229

GRIPS



37380



Material

Stainless steel 1.4404 (AISI 316), body sintered, matte, shot-blasted. Screw: stainless steel, 1.4301 (AISI 304), matte,

shot-blasted.

Technical Notes

These quarter turn screws are used to

develop higher clamping torques than is possible with knurled handles.

Order No.	d ₁	d ₂	d ₃	b	h	l	Weight g
37380.W0061	25	M 6	8	8	10.0	16	12
37380.W0062	25	M 6	8	8	10.0	20	16
37380.W0063	25	M 6	8	8	10.0	25	10
37380.W0081	30	M 8	10	10	12.0	16	26
37380.W0082	30	M 8	10	10	12.0	20	28
37380.W0083	30	M 8	10	10	12.0	25	30
37380.W0084	30	M 8	10	10	12.0	32	32
37380.W0085	36	M 8	12	12	14.5	16	44
37380.W0086	36	M 8	12	12	14.5	20	45
37380.W0087	36	M 8	12	12	14.5	25	50
37380.W0088	36	M 8	12	12	14.5	32	49
37380.W0101	36	M10	12	12	14.5	20	48
37380.W0102	36	M10	12	12	14.5	30	53
37380.W0103	36	M10	12	12	14.5	40	55

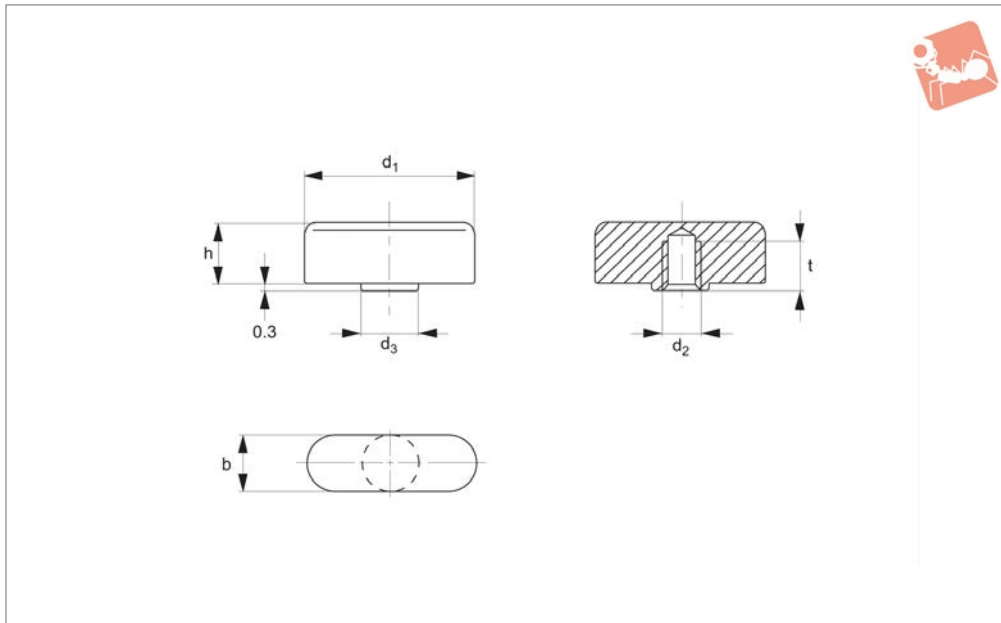


Quarter Turn Screw, Female

stainless steel



Grips



37400

GRIPS

Material

Stainless steel 1.4404 (AISI 316), sintered, matte, shot-blasted.

Technical Notes

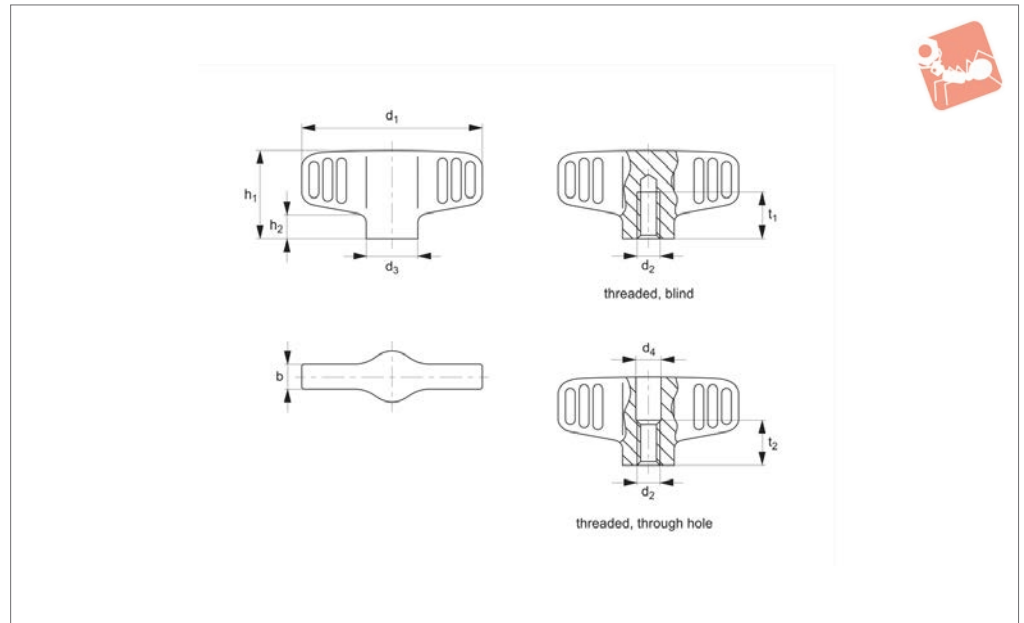
These quarter turn screws are used to develop higher clamping torques than is possible with knurled handles.

possible with knurled handles.

Order No.	d ₁	d ₂	d ₃	b	h	t min.	Weight g
37400.W0061	25	M 6	8	8	10.0	7	11
37400.W0062	30	M 6	10	10	12.0	9	18
37400.W0081	30	M 8	10	10	12.0	9	18
37400.W0082	36	M 8	12	12	14.5	10	36
37400.W0101	36	M10	12	12	14.5	10	36



37420



Material

Stainless steel 1.4308, matt finish.

Order No.	Type	d ₁	d ₂	d ₃	d ₄ tol. H13	b	h ₁	h ₂ ≈	t ₁ min.	t ₂
37420.W0010	Threaded, blind	46	M 6	13	6.5	6	22.5	6.0	12	10
37420.W0012	Threaded, blind	46	M 8	13	8.5	6	22.5	6.0	15	13
37420.W0014	Threaded, blind	58	M 8	16	8.5	7	26.5	7.0	15	13
37420.W0016	Threaded, blind	58	M10	16	10.5	7	26.5	7.0	18	16
37420.W0210	Threaded, through hole	46	M 6	13	6.5	6	22.5	6.0	12	10
37420.W0212	Threaded, through hole	46	M 8	13	8.5	6	22.5	6.0	15	13
37420.W0214	Threaded, through hole	58	M 8	16	8.5	7	26.5	7.0	15	13
37420.W0216	Threaded, through hole	58	M10	16	10.5	7	26.5	7.0	18	16



Wide Selection of Thumb Screws, Knurled Screws & Wing Nuts

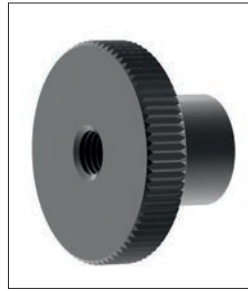
Positioning Elements



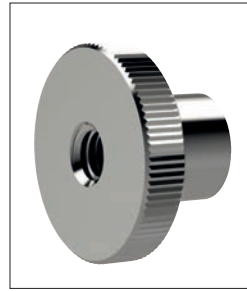
37020 - Steel flat knurled screw



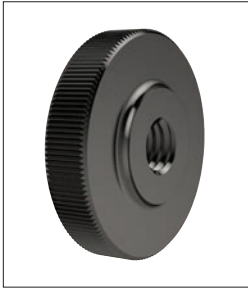
37040 - Stainless steel flat knurled screw



37100 - Steel knurled nut with collar



37110 - Stainless steel knurled nut with collar



37120 - Steel flat knurled nut



37130 - Stainless steel flat knurled nut



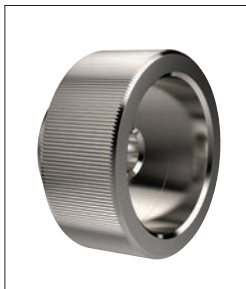
37140 - Steel knurled screw with collar



37150 - Stainless steel knurled screw with collar



37160 - Steel knurled nut



37170 - Stainless steel knurled nut



37200 - Stainless steel knurled thumb screw



37330 - Plastic knurled nut



37352 - Plastic knurled steel screw



37354 - Plastic knurled stainless steel screw



37380 - 1/4 turn screw



37400 - 1/4 turn nut



37460 - Thumb knob

GRIPS

ov-W37020-AP0405.BLT-W37460-A-T-selection-a-mh - Updated - 28-10-2022



72180 - Plastic wing nut



72190 - Plastic wing nut
with screw



72210 - Plastic wing nuts



72270 - 1/4 turn nut



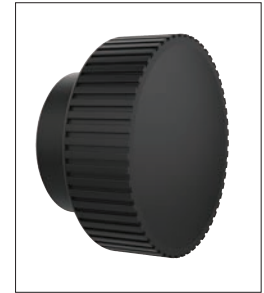
72280 - 1/4 turn nut



72290 - 1/4 turn screw



72300 - 1/4 turn screw



72410 - Knurled knob



72430 - Knurled knob
with screw



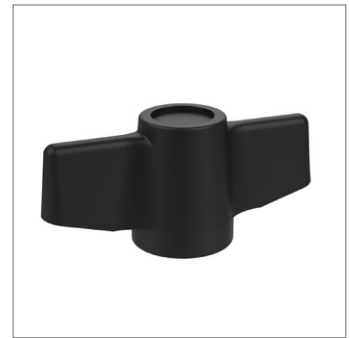
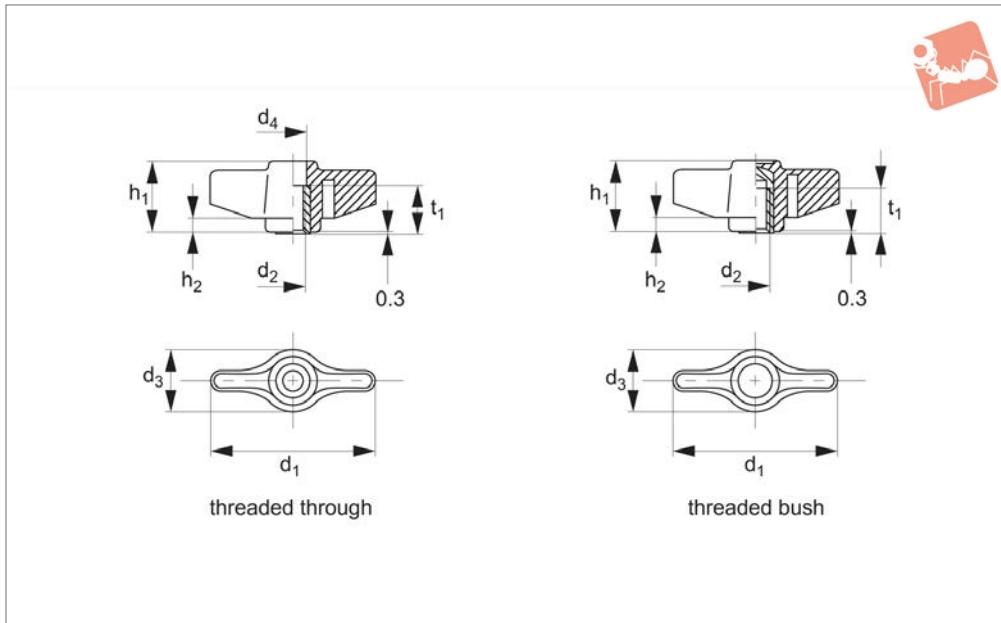
72440 - Knurled knobs



72460 - Knurled knobs



73200 - Mushroom knobs



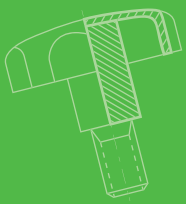
72180

GRIPS

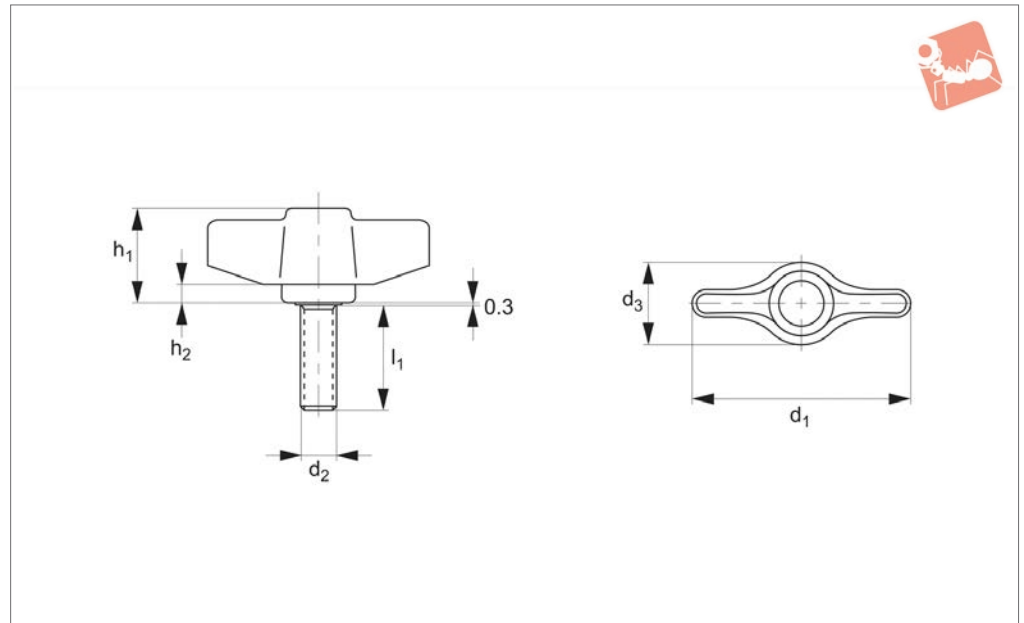
Material

Brass bush. Thermoplastic, black, matte.

Order No.	Type	d ₁	d ₂	d ₃	d ₄	h ₁	h ₂	t ₁	Weight g
72180.W0034	Threaded Through	34	M 5	14	7	18	4	15	7
72180.W0035	Threaded Through	34	M 6	14	7	18	4	15	7
72180.W0040	Threaded Through	40	M 6	15	9	19	4	15	10
72180.W0041	Threaded Through	40	M 8	15	9	19	4	15	10
72180.W0048	Threaded Through	48	M 6	17	9	20	4	15	10
72180.W0049	Threaded Through	48	M 8	17	9	20	4	15	11
72180.W0135	Threaded Bush	34	M 5	14	-	18	4	8	5
72180.W0136	Threaded Bush	34	M 6	14	-	18	4	9	5
72180.W0138	Threaded Bush	34	M 8	14	-	18	4	9	6
72180.W0146	Threaded Bush	40	M 6	15	-	19	4	9	7
72180.W0148	Threaded Bush	40	M 8	15	-	19	4	9	7
72180.W0149	Threaded Bush	48	M 6	17	-	20	4	13	7
72180.W0150	Threaded Bush	48	M 8	17	-	20	4	13	9



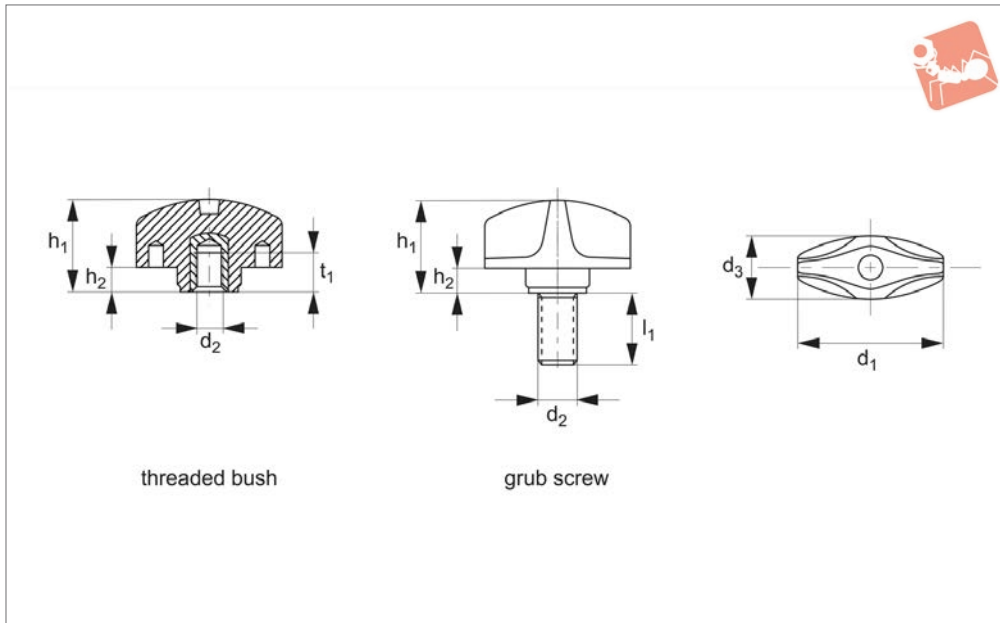
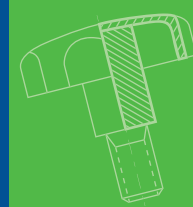
72190



Material

Zinc plated steel stud. Thermoplastic, black, matt.

Order No.	d ₁	d ₂	d ₃	h ₁	h ₂	l ₁	Weight g
72190.W0341	34	M 4	14	18	4	15	5
72190.W0342	34	M 5	14	18	4	15	7
72190.W0343	34	M 6	14	18	4	15	9
72190.W0344	34	M 6	14	18	4	25	11
72190.W0345	34	M 8	14	18	4	15	13
72190.W0346	34	M 8	14	18	4	25	15
72190.W0401	40	M 6	15	19	4	15	10
72190.W0402	40	M 6	15	19	4	20	11
72190.W0403	40	M 8	15	19	4	15	14
72190.W0404	40	M 8	15	19	4	20	15
72190.W0405	40	M 8	15	19	4	25	16
72190.W0481	48	M 6	17	20	4	15	12
72190.W0482	48	M 6	17	20	4	20	12
72190.W0483	48	M 6	17	20	4	25	13
72190.W0484	48	M 8	17	20	4	15	15
72190.W0485	48	M 8	17	20	4	25	18
72190.W0486	48	M 8	17	20	4	30	19
72190.W0487	48	M 8	17	20	4	40	22



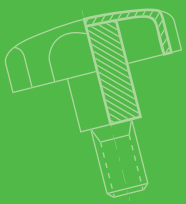
72210

GRIPS

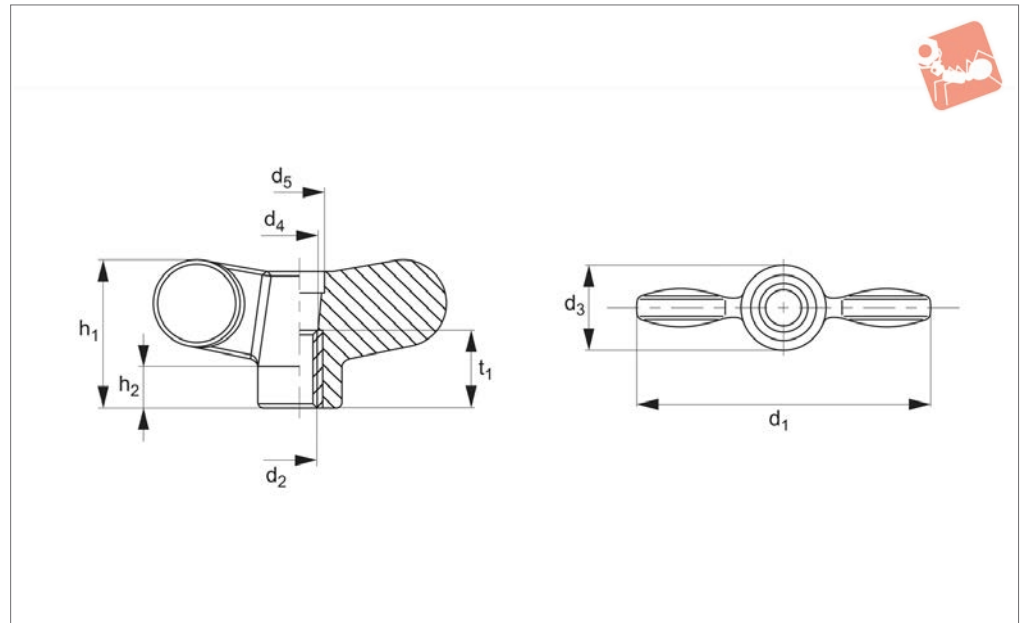
Material

Brass bush. Zinc plated steel stud. Thermo-plastic, black, matt.

Order No.	Type	d ₁	d ₂	d ₃	h ₁	h ₂	l ₁	t ₁	Weight g
72210.W0004	Threaded Bush	30	M 4	13	19	5	-	8	5.8
72210.W0005	Threaded Bush	30	M 5	13	19	5	-	8	5.4
72210.W0006	Threaded Bush	30	M 6	13	19	5	-	8	5.6
72210.W0008	Threaded Bush	30	M 8	13	19	5	-	8	6.0
72210.W0341	Grub Screw	30	M 4	13	19	5	15	-	5.4
72210.W0342	Grub Screw	30	M 4	13	19	5	20	-	5.4
72210.W0351	Grub Screw	30	M 5	13	19	5	15	-	6.4
72210.W0352	Grub Screw	30	M 5	13	19	5	25	-	7.6
72210.W0353	Grub Screw	30	M 5	13	19	5	30	-	9.4
72210.W0361	Grub Screw	30	M 6	13	19	5	15	-	8.0
72210.W0362	Grub Screw	30	M 6	13	19	5	25	-	9.8
72210.W0363	Grub Screw	30	M 6	13	19	5	30	-	10.0
72210.W0364	Grub Screw	30	M 6	13	19	5	40	-	12.2
72210.W0381	Grub Screw	30	M 8	13	19	5	15	-	11.4
72210.W0383	Grub Screw	30	M 8	13	19	5	30	-	16.6
72210.W0384	Grub Screw	30	M 8	13	19	5	40	-	19.8



72270



Material

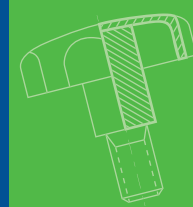
Thermoplastic, black.
Brass bush.

Order No.	d ₁	d ₂	d ₃	d ₄	d ₅	h ₁	h ₂	t ₁	Weight g
72270.W0052	55	M 6	16	8	11	28	8	18	14
72270.W0054	55	M 8	16	10	11	28	8	18	15
72270.W0074	70	M 8	20	10	11	36	10	18	23
72270.W0076	70	M10	20	11	11	36	10	18	24

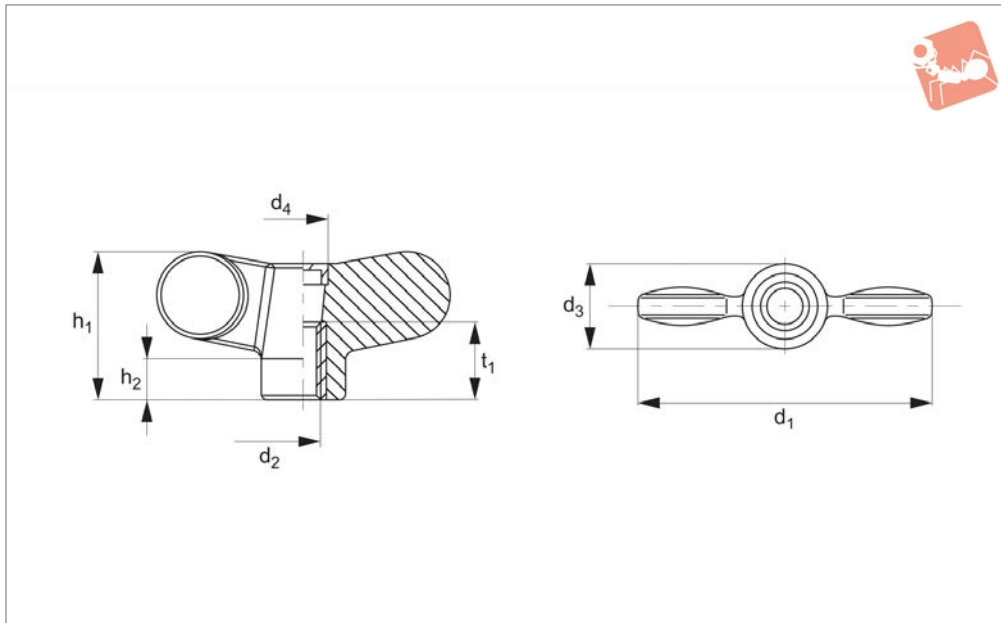


Wing Nut

plastic, with colour insert



Grips



72280

GRIPS

Material

Thermoplastic, black.
Plastic insert: black RAL9005, red

RAL3000, blue RAL5019.

subject to minimum quantity.

Tips

Other colour inserts available on request,

Order No.	Insert colour	d ₁	d ₂	d ₃	d ₄	h ₁	h ₂	t ₁	Weight g
72280.W0052	Black	55	M 6	16	11	28	8	18	14.5
72280.W0054	Black	55	M 8	16	11	28	8	18	15.5
72280.W0074	Black	70	M 8	20	11	36	10	18	23.5
72280.W0076	Black	70	M10	20	11	36	10	18	24.5
72280.W0152	Red	55	M 6	16	11	28	8	18	14.5
72280.W0154	Red	55	M 8	16	11	28	8	18	15.5
72280.W0174	Red	70	M 8	20	11	36	10	18	23.5
72280.W0176	Red	70	M10	20	11	36	10	18	24.5
72280.W0252	Blue	55	M 6	16	11	28	8	18	14.5
72280.W0254	Blue	55	M 8	16	11	28	8	18	15.5
72280.W0274	Blue	70	M 8	20	11	36	10	18	23.5
72280.W0276	Blue	70	M10	20	11	36	10	18	24.5

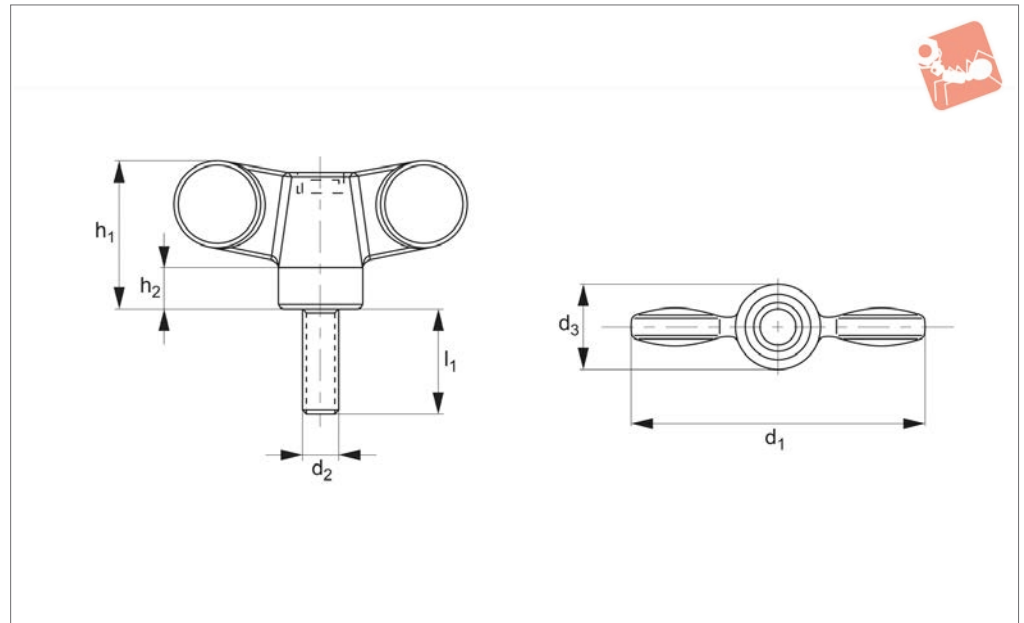


Wing Nut

plastic, with grub screw and colour insert



72290



Material

Thermoplastic black.

Plastic insert: black RAL9005, red

RAL3000, blue RAL 5019.

subject to minimum quantity.

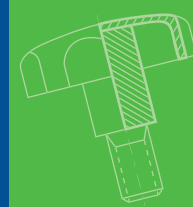
Tips

Other colour inserts available on request,

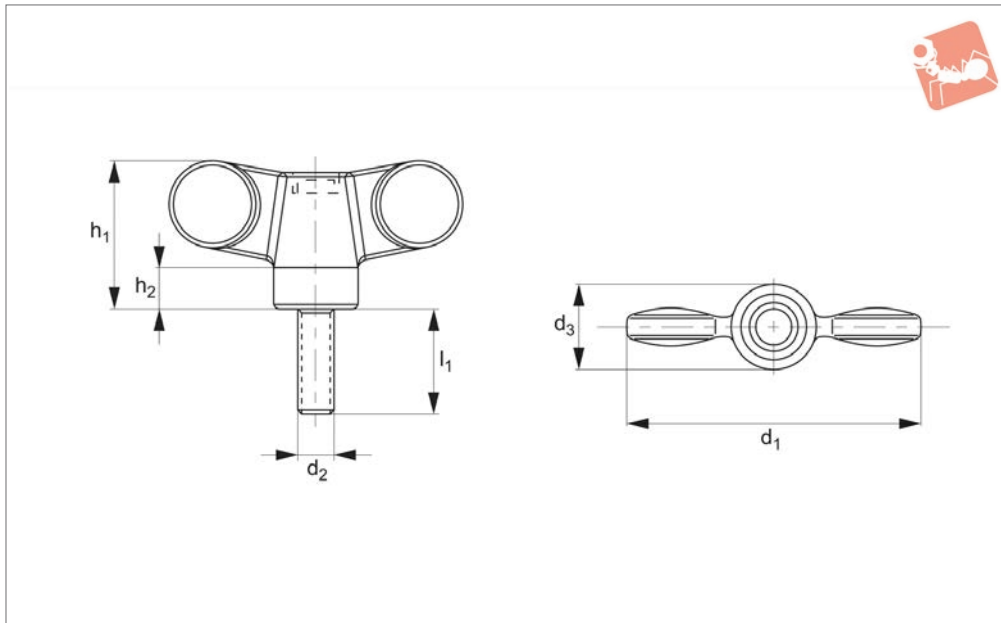
Order No.	Insert colour	d ₁	d ₂	d ₃	h ₁	h ₂	l ₁	Weight g
72290.W0054	Black	55	M 8	16	28	8	20	24
72290.W0055	Black	55	M 8	16	28	8	40	26
72290.W0056	Black	55	M10	16	28	8	20	30
72290.W0057	Black	55	M10	16	28	8	40	40
72290.W0074	Black	70	M 8	20	36	10	20	30
72290.W0076	Black	70	M10	20	36	10	20	39
72290.W0077	Black	70	M10	20	36	10	40	47
72290.W0154	Red	55	M 8	16	28	8	20	24
72290.W0155	Red	55	M 8	16	28	8	40	26
72290.W0156	Red	55	M10	16	28	8	20	30
72290.W0157	Red	55	M10	16	28	8	40	40
72290.W0174	Red	70	M 8	20	36	10	20	30
72290.W0176	Red	70	M10	20	36	10	20	39
72290.W0177	Red	70	M10	20	36	10	40	47
72290.W0254	Blue	55	M 8	16	28	8	20	24
72290.W0255	Blue	55	M 8	16	28	8	40	26
72290.W0256	Blue	55	M10	16	28	8	20	30
72290.W0257	Blue	55	M10	16	28	8	40	40
72290.W0274	Blue	70	M 8	20	36	10	20	30
72290.W0276	Blue	70	M10	20	36	10	20	39
72290.W0277	Blue	70	M10	20	36	10	40	47



Wing Nut - Stainless Steel plastic, with grub screw and colour insert



Grips



72300

GRIPS

Material

Thermoplastic black, with stainless steel thread.

Plastic insert: black RAL9005, red

RAL3000, blue RAL5019.

subject to minimum quantity.

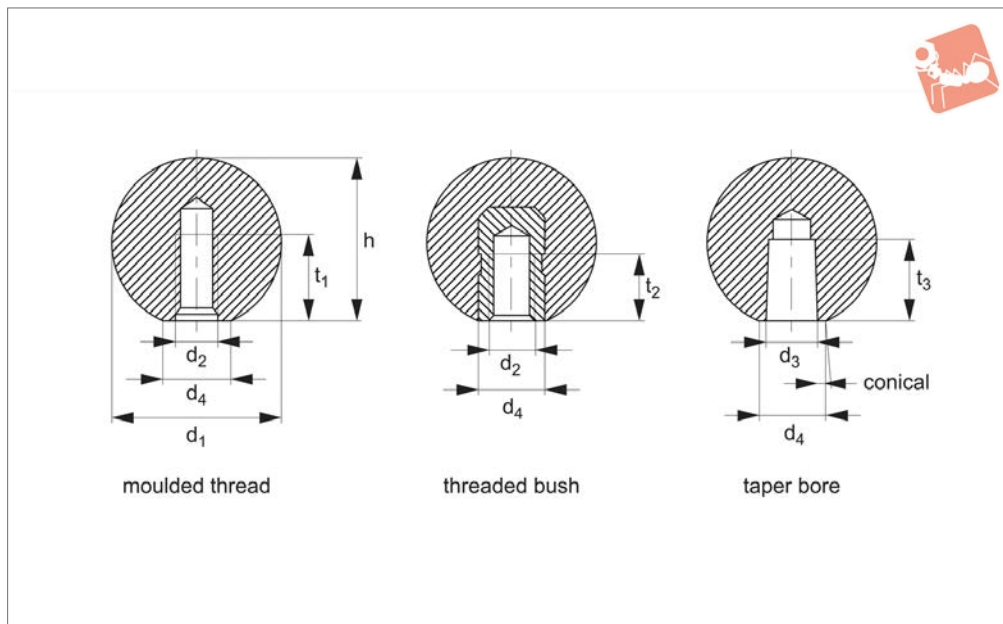
Tips

Other colour inserts available on request,

Order No.	Insert colour	d ₁	d ₂	d ₃	h ₁	h ₂	l ₁	Weight g
72300.W0054	Black	55	M 8	16	28	8	20	24
72300.W0055	Black	55	M 8	16	28	8	30	25
72300.W0077	Black	70	M10	20	36	10	30	43
72300.W0154	Red	55	M 8	16	28	8	20	24
72300.W0155	Red	55	M 8	16	28	8	30	25
72300.W0177	Red	70	M10	20	36	10	30	43
72300.W0254	Blue	55	M 8	16	28	8	20	24
72300.W0255	Blue	55	M 8	16	28	8	30	25
72300.W0277	Blue	70	M10	20	36	10	30	43



73000



Material

Duroplast PF 31 DIN 7708, black.
Bush: steel, zinc-plated. 73000.W0116 has bush of brass.
Finish: polished, jointless.

Threaded bush type also available in red, subject to minimum quantity.

Technical Notes

Temperature range max. 110°C. Assembly

of taper bush model is through lightly tapping with a hammer, the knob will hold in position without need for cementing. Counter bore requires an h9 fit.

Order No.	Finish	d ₁	d ₂	d ₃	d ₄ ≈	h ≈	t ₁ min.	t ₂ min.	t ₃ min.	Weight g
73000.W0016	Moulded Thread	16	M 4	-	8	15.0	7.0	-	-	3.2
73000.W0020	Moulded Thread	20	M 5	-	12	18.0	9.0	-	-	5.2
73000.W0025	Moulded Thread	25	M 6	-	15	22.5	11.0	-	-	10.0
73000.W0032	Moulded Thread	32	M 8	-	18	29.0	14.0	-	-	22.0
73000.W0040	Moulded Thread	40	M10	-	22	37.0	18.0	-	-	43.0
73000.W0050	Moulded Thread	50	M12	-	28	46.0	21.0	-	-	86.0
73000.W0116	Threaded Bush	16	M 4	-	8	15.0	-	6.0	-	5.1
73000.W0120	Threaded Bush	20	M 5	-	12	18.0	-	7.5	-	6.6
73000.W0125	Threaded Bush	25	M 6	-	15	22.5	-	9.0	-	13.0
73000.W0132	Threaded Bush	32	M 8	-	18	29.0	-	12.0	-	26.0
73000.W0140	Threaded Bush	40	M10	-	22	37.0	-	15.0	-	56.0
73000.W0150	Threaded Bush	50	M12	-	28	46.0	-	18.0	-	108.0
73000.W0216	Taper Bore	16	-	4	8	15.0	-	-	9.0	2.7
73000.W0220	Taper Bore	20	-	5	12	18.0	-	-	12.0	5.1
73000.W0225	Taper Bore	25	-	6	15	22.5	-	-	15.0	9.3
73000.W0232	Taper Bore	32	-	8	18	29.0	-	-	15.0	19.0
73000.W0240	Taper Bore	40	-	10	22	37.0	-	-	20.0	39.0
73000.W0250	Taper Bore	50	-	12	28	46.0	-	-	22.0	84.0

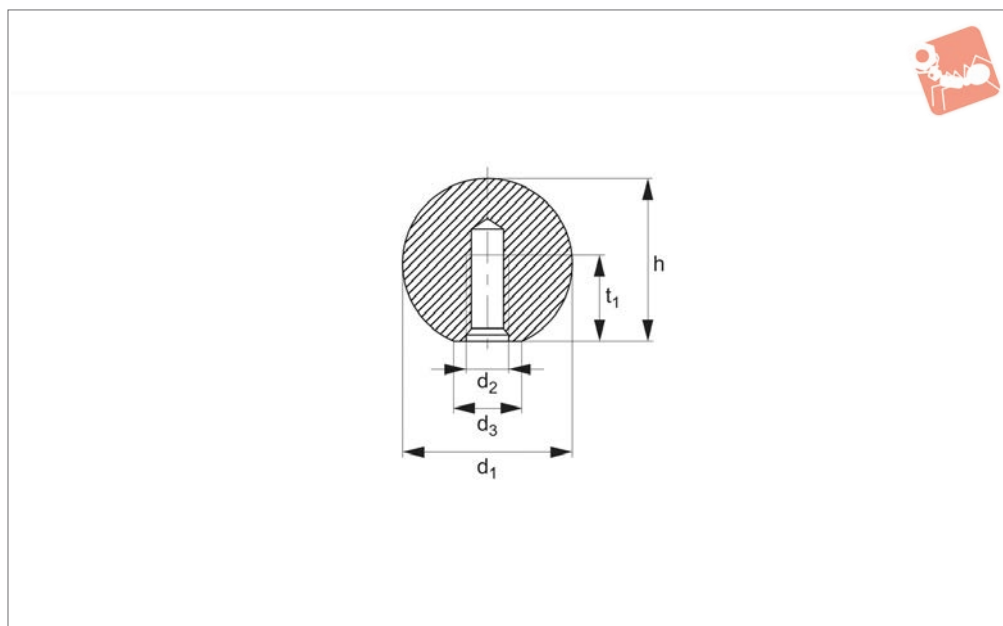


Ball Knobs - Steel

similar to DIN 319



Grips



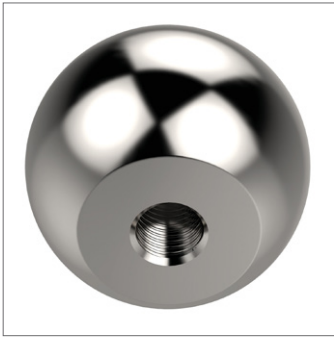
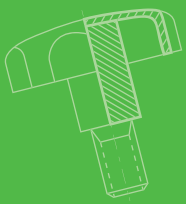
73002

GRIPS

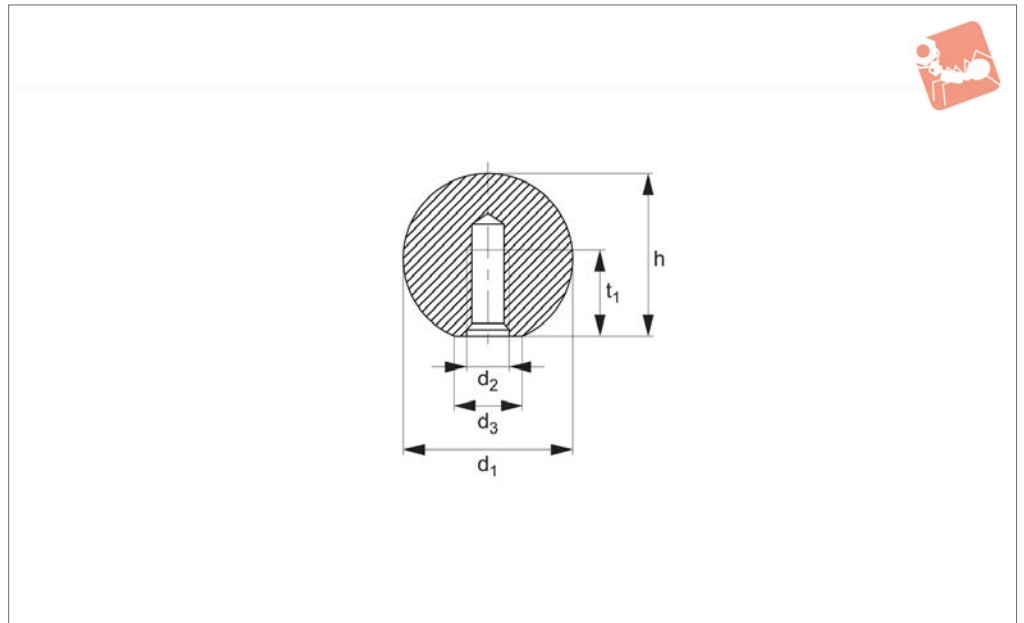
Material

Steel, polished, bright

Order No.	d ₁	d ₂	d ₃ ≈	h ≈	t ₁ min.	Weight g
73002.W0016	16	M 4	8	15.0	7.0	16
73002.W0020	20	M 5	12	18.0	9.0	26
73002.W0025	25	M 6	15	22.5	11.0	58
73002.W0032	32	M 8	18	29.0	14.5	116
73002.W0040	40	M10	22	37.0	18.0	241
73002.W0050	50	M12	27	46.0	21.0	475



73004



Material

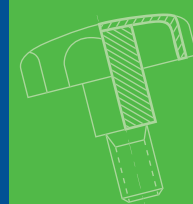
Stainless steel 1.4305, dull blasted

Order No.	d ₁	d ₂	d ₃ ≈	h ≈	t ₁ min.	Weight g
73004.W0216	16	M 4	8	15.0	7.0	16
73004.W0220	20	M 5	12	18.0	9.0	31
73004.W0225	25	M 6	15	22.5	11.0	59
73004.W0232	32	M 8	18	29.0	14.5	122
73004.W0240	40	M10	22	37.0	18.0	242

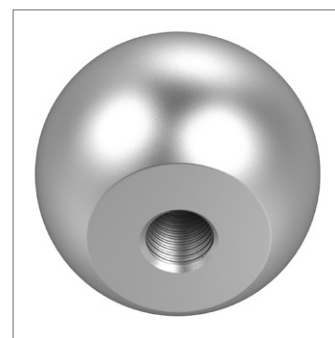
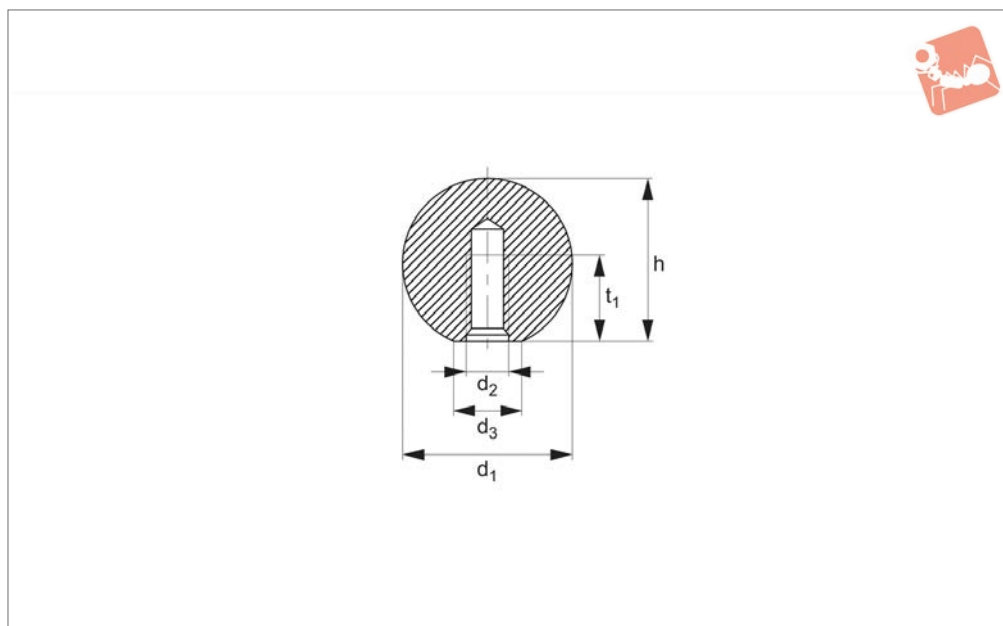


Ball Knobs - aluminium

similar to DIN 319



Grips



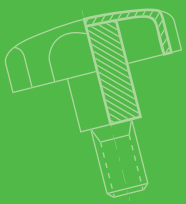
73006

GRIPS

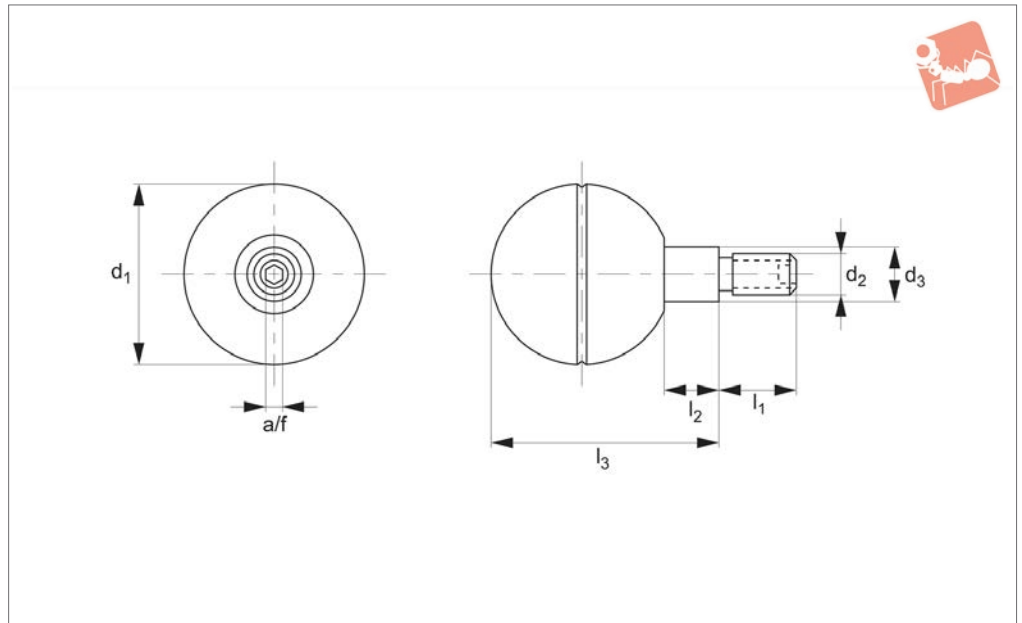
Material

Aluminium, polished polished, bright

Order No.	d ₁	d ₂	d ₃ ≈	h ≈	t ₁ min.	Weight g
73006.W0116	16	M 4	8	15.0	7.0	7
73006.W0120	20	M 5	12	18.0	9.0	12
73006.W0125	25	M 6	15	22.5	11.0	22
73006.W0132	32	M 8	18	29.0	14.5	44
73006.W0140	40	M10	22	37.0	18.0	87
73006.W0150	50	M12	27	46.0	21.0	173



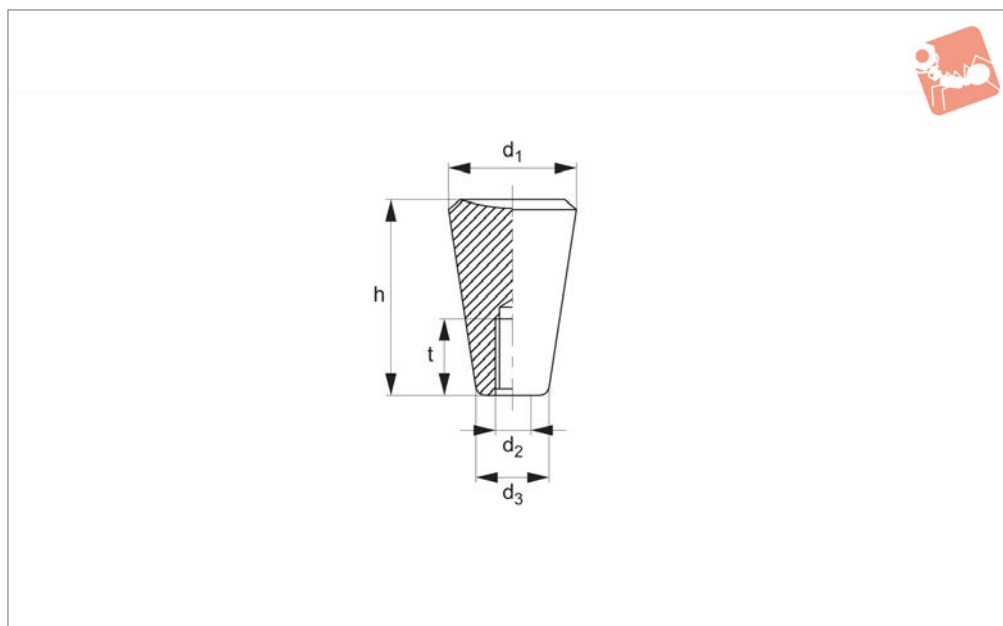
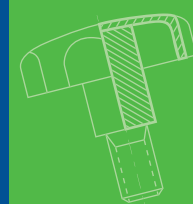
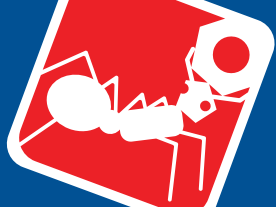
73020



Material

Duroplast, black. Zinc plated steel stud, hexagonal locking blind hole.

Order No.	d ₁	d ₂	l ₁	l ₂	l ₃	d ₃	A/F	Weight g
73020.W0041	41	M 8	15	12	51	13	4	87
73020.W0042	41	M10	17	12	51	13	5	90
73020.W0047	47	M 8	15	12	58	14	4	118
73020.W0048	47	M10	17	12	58	14	5	121
73020.W0061	60	M 8	15	12	71	14	4	206
73020.W0062	60	M10	17	12	71	14	5	212



73100

GRIPS

Material

Duroplast PF 31, black.

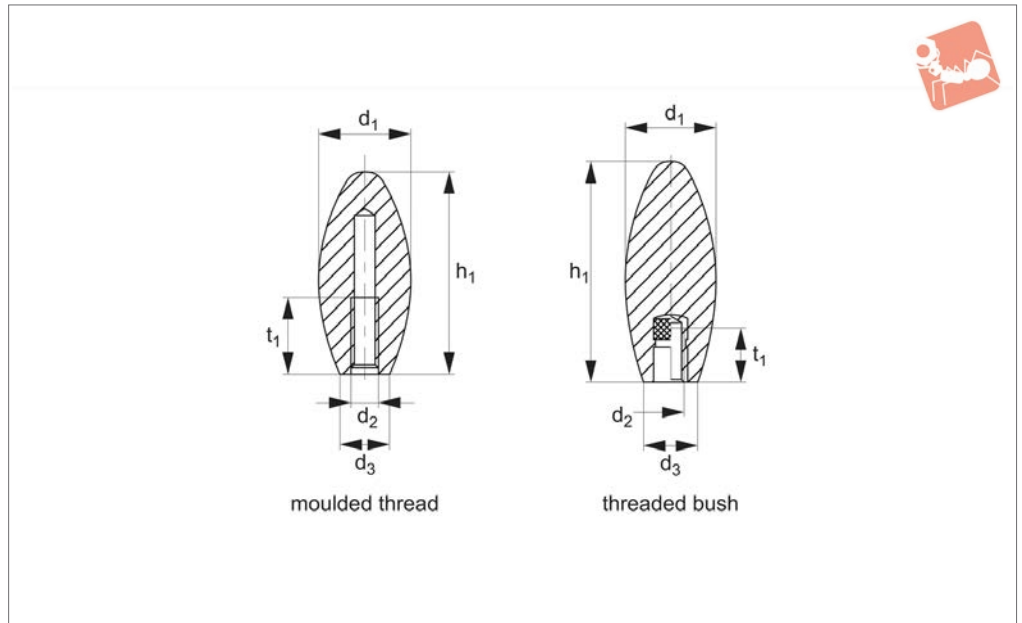
Technical Notes

Temperature range max. 110°C.

Order No.	d ₁	d ₂	d ₃ ≈	h	t min.	Weight g
73100.W0020	20	M 5	12	30	18	7.8
73100.W0021	20	M 6	12	30	18	7.4
73100.W0025	25	M 6	15	38	18	14.0
73100.W0026	25	M 8	15	38	18	13.0
73100.W0031	30	M 8	18	46	18	26.0
73100.W0032	30	M10	18	46	18	25.0
73100.W0036	35	M10	21	53	21	46.0
73100.W0037	35	M12	21	53	21	43.0



73110

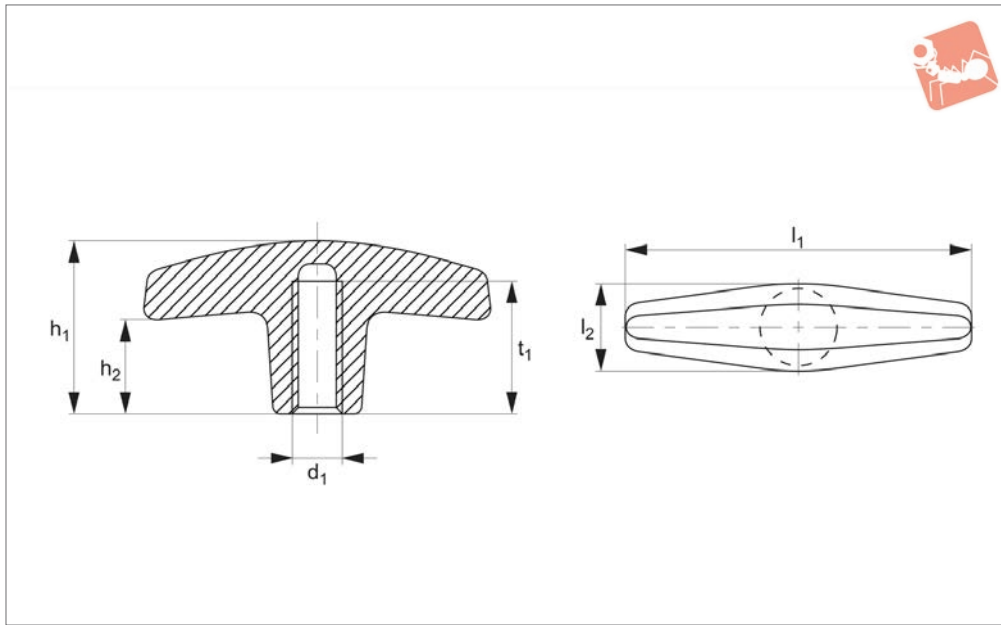
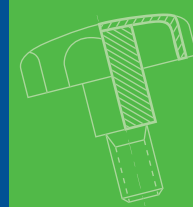


Material

Duroplast, black.

Bush: zinc plated steel.

Order No.	Finish	d ₁	d ₂	d ₃	h ₁	t ₁	Weight g
73110.W0030	Moulded Thread	30	M 8	16	65	16	41
73110.W0031	Moulded Thread	30	M10	16	65	21	40
73110.W0032	Moulded Thread	30	M12	16	65	25	39
73110.W0035	Moulded Thread	35	M12	22	85	25	71
73110.W0036	Moulded Thread	35	M16	22	85	30	69
73110.W0535	Threaded Bush	35	M10	22	85	21	87



73130

GRIPS

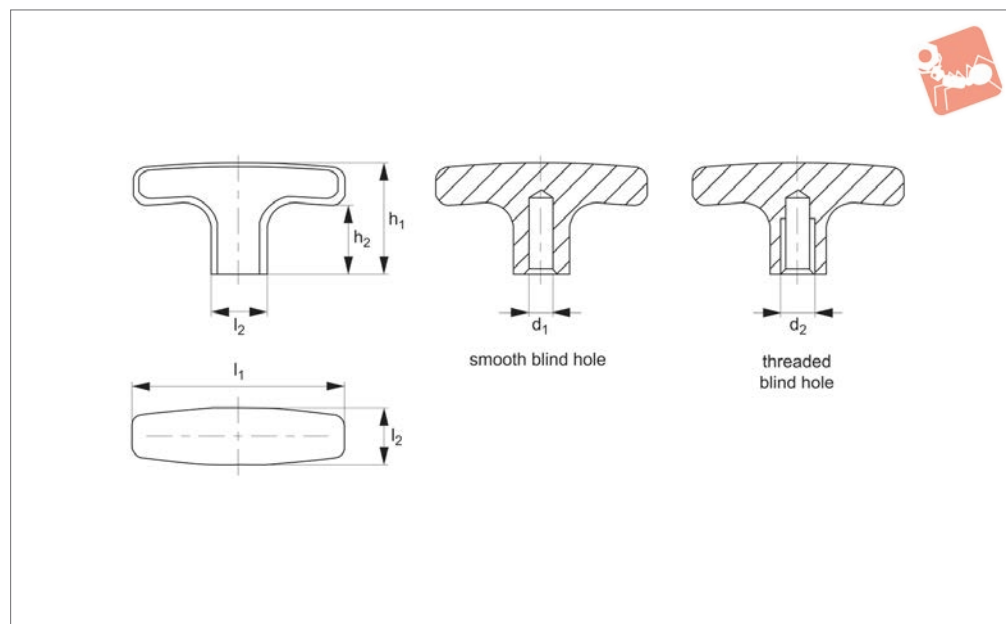
Material

Thermoplast, black, with moulded female thread.

Order No.	d ₁	l ₁	l ₂	h ₁	h ₂	t ₁	Weight g
73130.W0006	M 6	57	15	30	16	13	9
73130.W0008	M 8	57	15	30	16	15	8

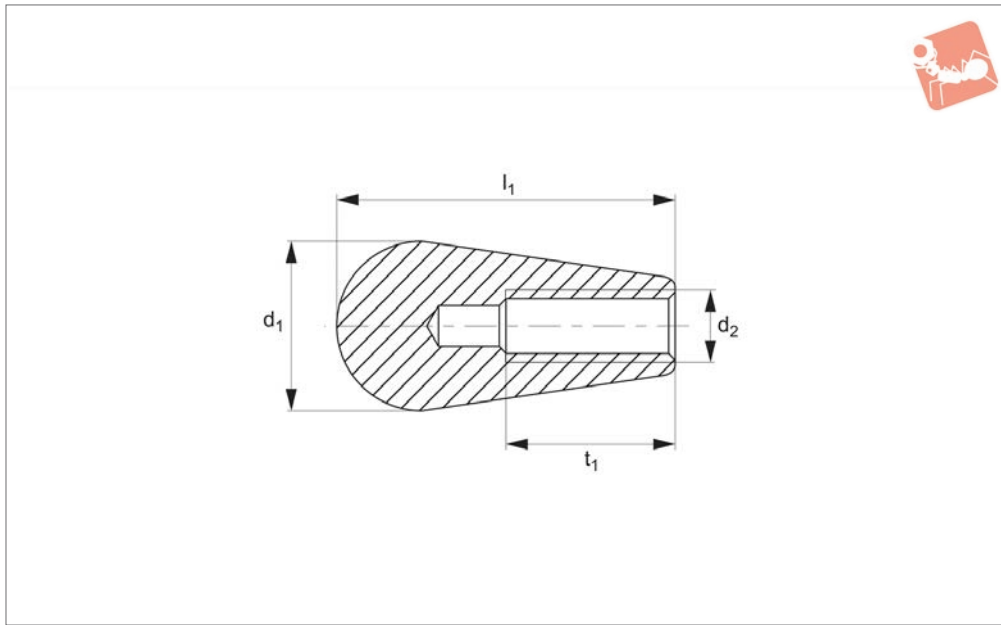
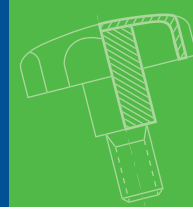


73132

**Material**

Aluminium, plastic coated, similar to RAL
9005 black, matt structure

Order No.	Finish	d_1 tol. H7	d_2	l_1	l_2	h_1	h_2	t	Weight g
73132.W0020	Smooth, Blind	6	-	55	14	33	22	12	31
73132.W0030	Smooth, Blind	8	-	67	16	37	25	16	46
73132.W0035	Smooth, Blind	8	-	80	20	41	26	16	80
73132.W0120	Threaded, Blind	-	M 6	55	14	33	22	12	33
73132.W0125	Threaded, Blind	-	M 8	55	14	33	22	12	40
73132.W0130	Threaded, Blind	-	M 8	67	16	37	25	16	48
73132.W0135	Threaded, Blind	-	M 8	80	20	41	26	16	80
73132.W0140	Threaded, Blind	-	M10	80	20	41	26	16	80



73140

GRIPS

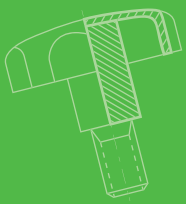
Material

Thermoplastic, matte black, with moulded female thread.

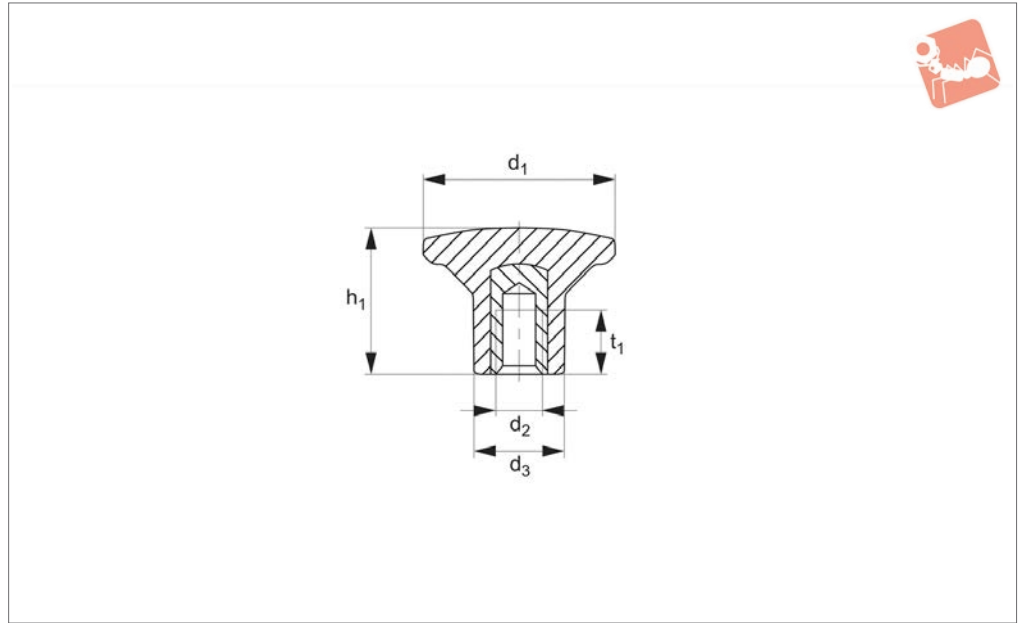
Technical Notes

* $\varnothing 8$ - moulded blind hole - not threaded.

Order No.	d_1	d_2	l_1	t_1	Weight g
73140.W0005	13	M 5	43	15	3.2
73140.W0008	25	M 8	50	25	13.0
73140.W0009	25	M 8	50	25	12.0



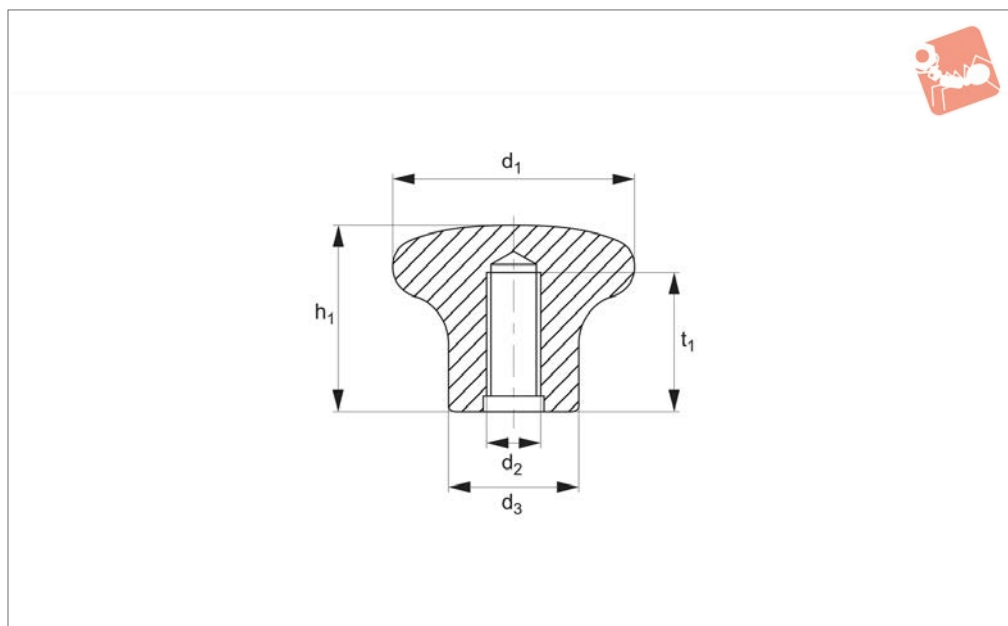
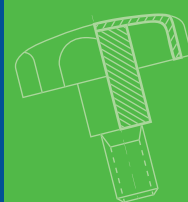
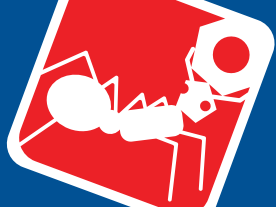
73160



Material

Thermoplastic, matt black. Brass bush with tapped blind hole.

Order No.	d ₁	d ₂	d ₃	h ₁	t ₁	Weight g
73160.W0021	26	M 4	12	17	8	8
73160.W0022	26	M 5	12	17	8	8
73160.W0023	26	M 6	12	17	8	8
73160.W0031	32	M 6	15	24	13	13
73160.W0032	32	M 8	15	24	13	13



73170

GRIPS

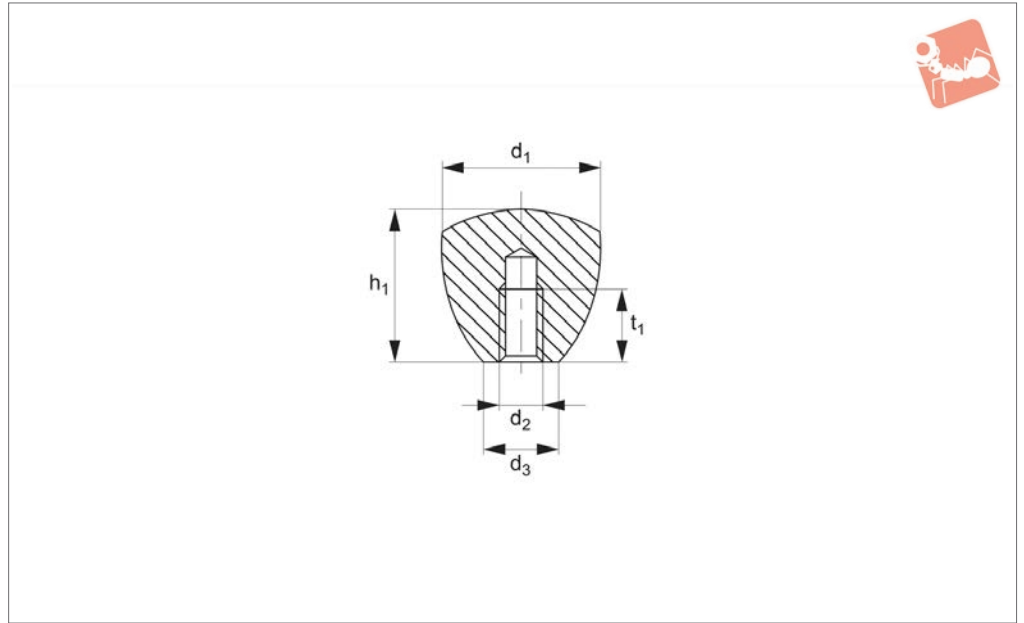
Material

Duroplast, black, moulded thread.

Order No.	d ₁	d ₂	d ₃	h ₁	t ₁	Weight g
73170.W0031	35	M 6	17	35	20	19
73170.W0032	35	M 8	17	35	20	18
73170.W0051	45	M 8	24	34	23	36
73170.W0052	45	M10	24	34	23	35
73170.W0053	45	M12	24	34	23	34



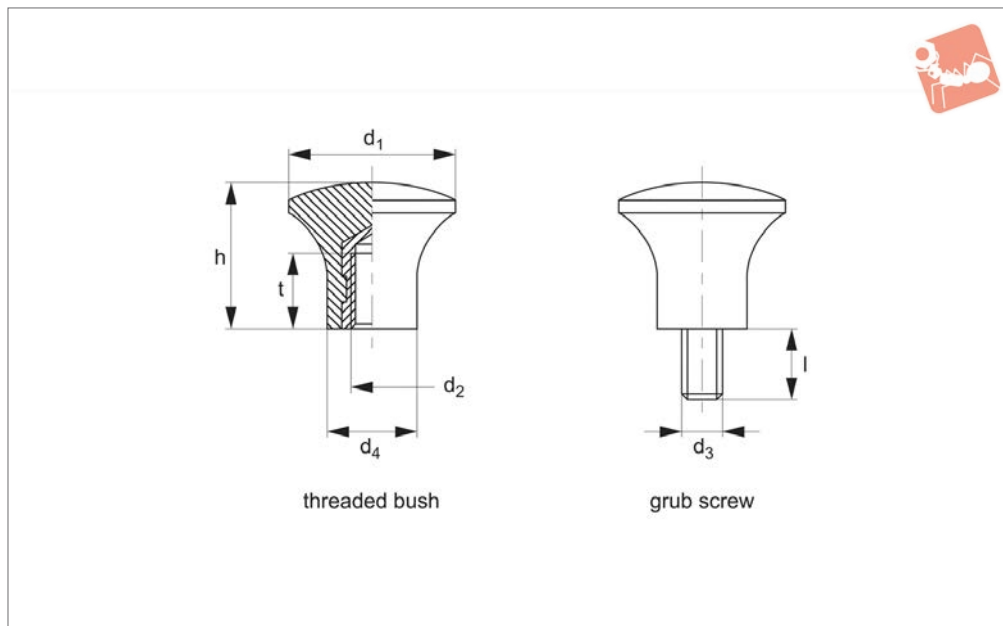
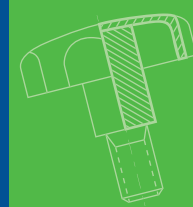
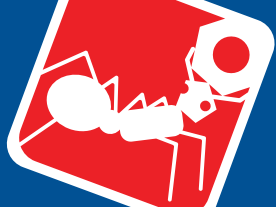
73180



Material

Duroplast, black. Moulded thread.

Order No.	d ₁	d ₂	d ₃	h ₁	t ₁	Weight g
73180.W0031	30	M 6	15	30	22	21
73180.W0032	30	M 8	15	30	22	20
73180.W0033	30	M10	15	30	22	20



73200

GRIPS

Material

Black, duroplast PF31.
Brass bush or zinc plated steel male

thread.

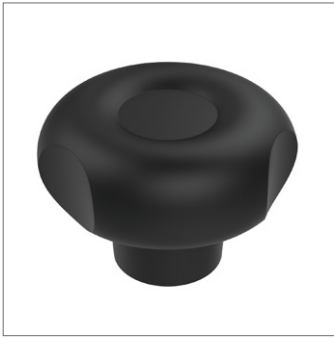
Technical Notes

Max. temperature 110°C.

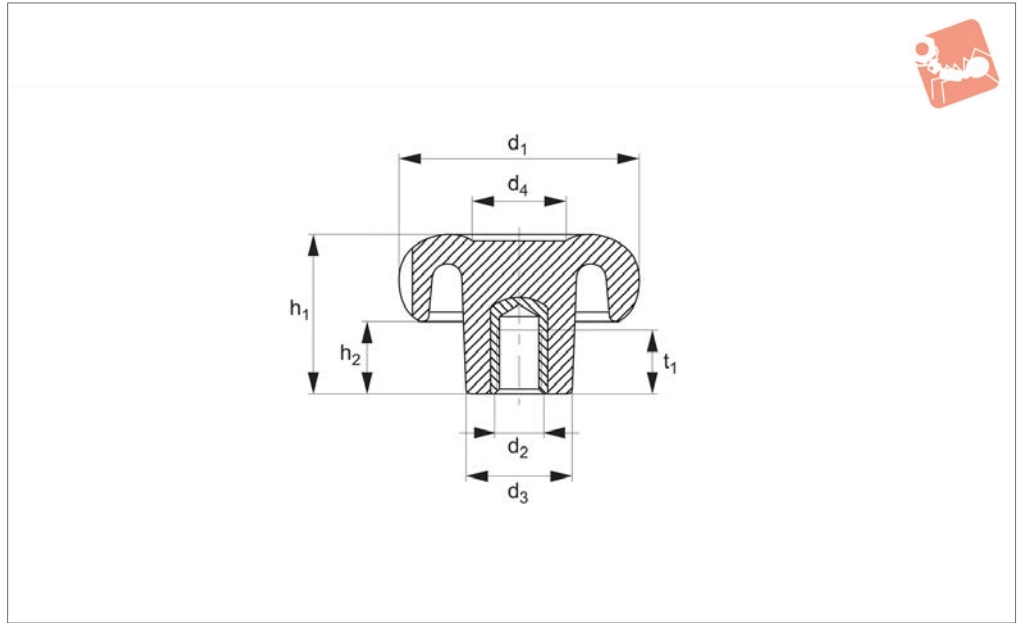
Order No.	Type	d ₁	d ₂	d ₃	l	d ₄	h	t	Weight g
73200.W0017	Threaded Bush	17	M 5	-	-	10	14	7	4.8
73200.W0021	Threaded Bush	21	M 6	-	-	12	17	11	8.2
73200.W0025	Threaded Bush	25	M 6	-	-	14	21	11	11.0
73200.W0033	Threaded Bush	33	M 8	-	-	18	29	12	19.0
73200.W0117	Grub Screw	17	-	M 5	9	10	14	-	4.2
73200.W0121	Grub Screw	21	-	M 6	10	12	17	-	7.1
73200.W0125	Grub Screw	25	-	M 6	10	14	21	-	10.0
73200.W0133	Grub Screw	33	-	M 8	14	18	29	-	23.0



Three Lobe Knob
with stainless steel bush



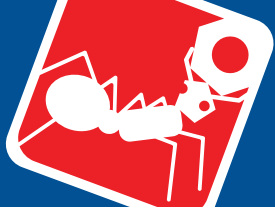
70580



Material

Grip: thermoplastic, black.
Bush: stainless steel.

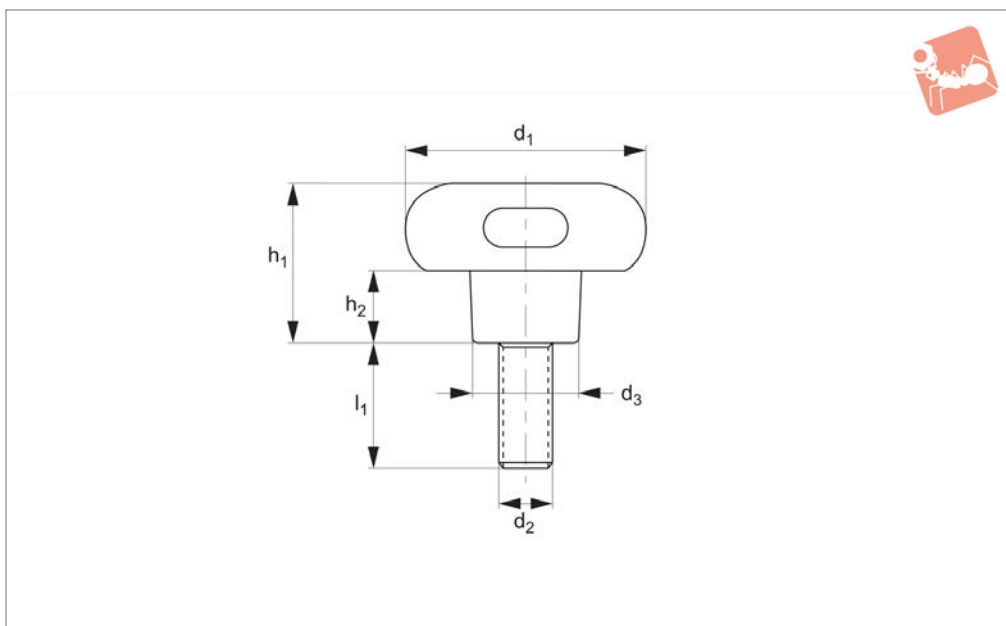
Order No.	d ₁	d ₂	d ₃	d ₄	h ₁	h ₂	t ₁	Weight g
70580.W0060	30	M 6	14	11	22	11	9	11
70580.W0080	40	M 8	18	15	28	13	13	26
70580.W0100	50	M10	22	20	33	15	16	43



Three Lobe Knob with stainless steel grub screw



Grips



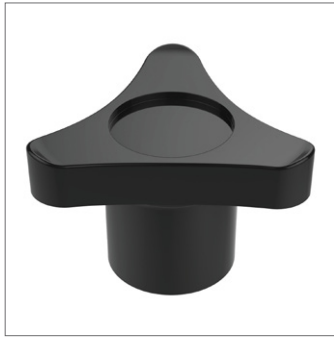
70590

GRIPS

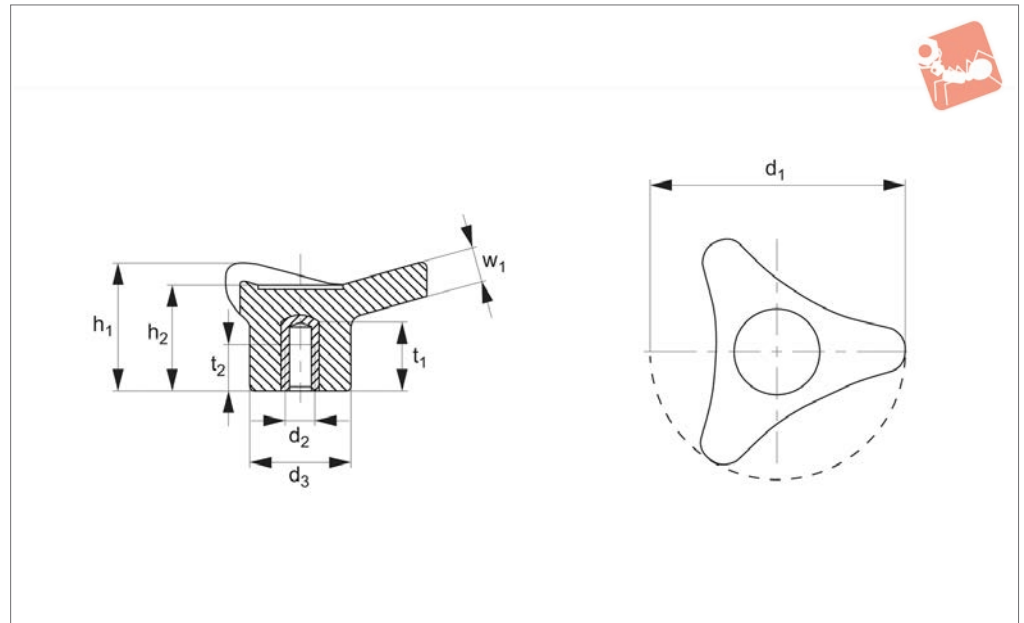
Material

Grip: thermoplastic, black.
Grub screw: stainless steel.

Order No.	d ₁	d ₂	l ₁	d ₃	h ₁	h ₂	Weight g
70590.W0061	30	M 6	20	14	22	11	18
70590.W0062	30	M 6	30	14	22	11	20
70590.W0081	40	M 8	20	18	28	13	20
70590.W0082	40	M 8	30	18	28	13	23
70590.W0101	50	M10	25	22	33	15	60
70590.W0102	50	M10	30	22	33	15	64



70620



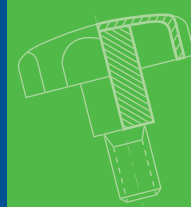
Material

Brass bush. Duroplast, black.

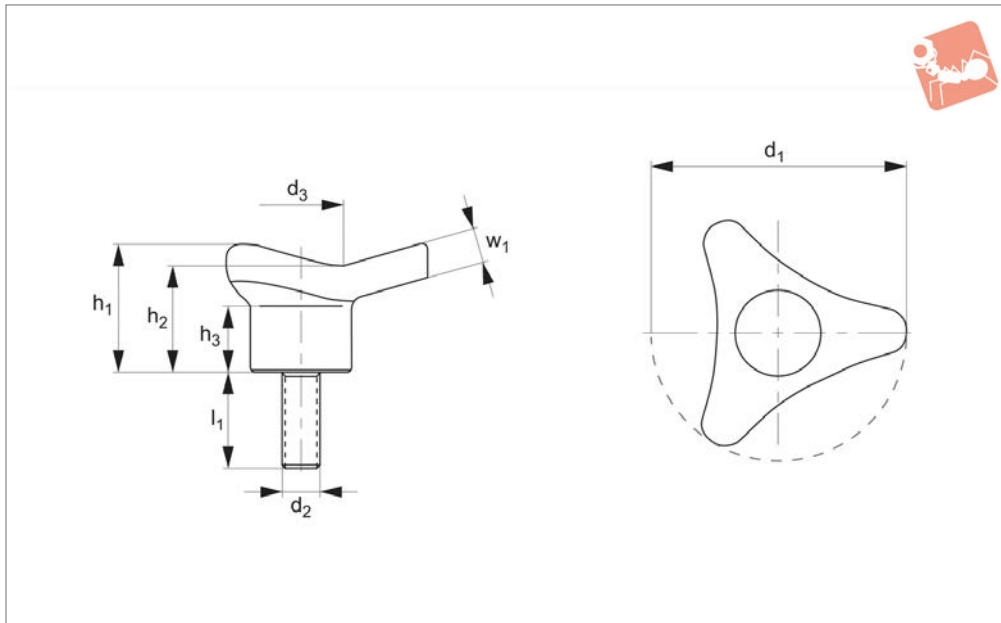
Order No.	d_1	d_2	d_3	h_1	h_2	t_1	t_2	w_1	Weight g
70620.W0345	34	M 5	17	22	20	12	9	7.0	11
70620.W0346	34	M 6	17	22	20	12	9	7.0	11
70620.W0348	34	M 8	17	22	20	12	9	7.0	12
70620.W0456	45	M 6	25	30	27	18	13	8.5	26
70620.W0458	45	M 8	25	30	27	18	15	8.5	27
70620.W0459	45	M10	25	30	27	18	16	8.5	28
70620.W0658	65	M 8	30	39	36	25	15	10.0	51
70620.W0659	65	M10	30	39	36	25	16	10.0	51
70620.W0660	65	M12	30	39	36	25	18	10.0	56
70620.W0858	85	M 8	35	48	43	30	15	12.0	89
70620.W0859	85	M10	35	48	43	30	16	12.0	89
70620.W0860	85	M12	35	48	43	30	18	12.0	94
70620.W0861	85	M16	35	48	43	30	20	12.0	100



Three Lobed Knobs with grub screw



Grips



70630

GRIPS

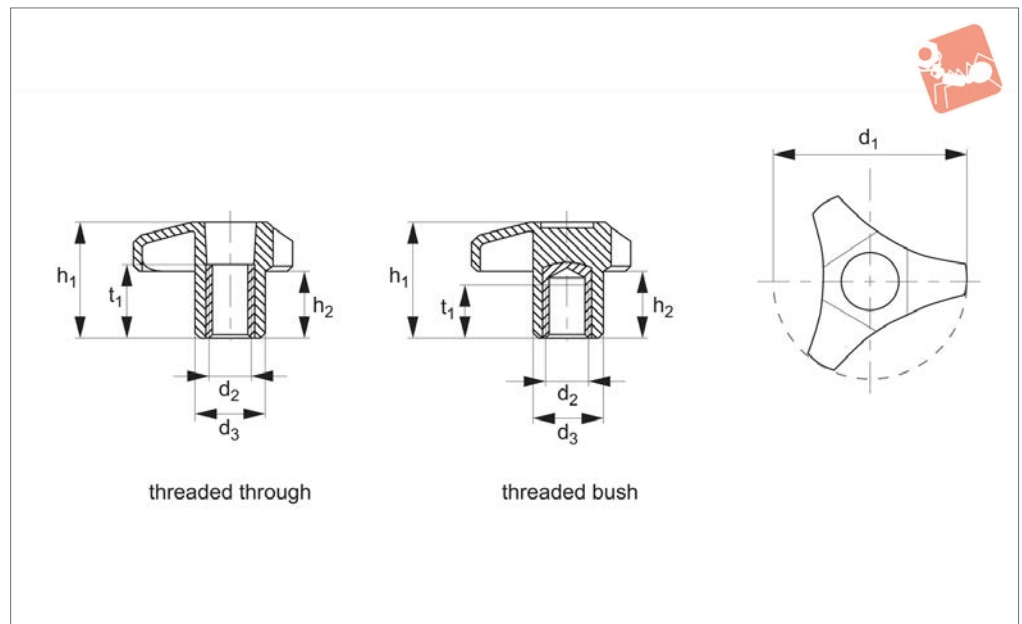
Material

Zinc plated steel stud. Duroplast, black.

Order No.	d ₁	d ₂	l ₁	d ₃	h ₁	h ₂	h ₃	w ₁	Weight g
70630.W0341	34	M 6	20	17	22	20	12	7.0	15.0
70630.W0342	34	M 6	25	17	22	20	12	7.0	16.0
70630.W0343	34	M 6	30	17	32	20	12	7.0	17.0
70630.W0344	34	M 8	20	17	22	20	12	7.0	19.0
70630.W0345	34	M 8	25	17	22	20	12	7.0	20.0
70630.W0451	41	M 8	20	25	30	27	18	8.5	35.0
70630.W0452	41	M 8	30	25	30	27	18	8.5	37.0
70630.W0453	41	M 8	40	25	30	27	18	8.5	41.0
70630.W0454	41	M10	30	25	30	27	18	8.5	46.0
70630.W0651	65	M 8	40	30	39	36	25	10.0	65.0
70630.W0652	65	M10	30	30	39	36	25	10.0	71.0
70630.W0851	85	M12	20	35	48	43	30	12.0	124.0
70630.W0852	85	M12	35	35	48	43	30	12.0	130.0



70640



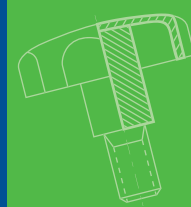
Material

Brass bush. Thermoplastic, matt black.

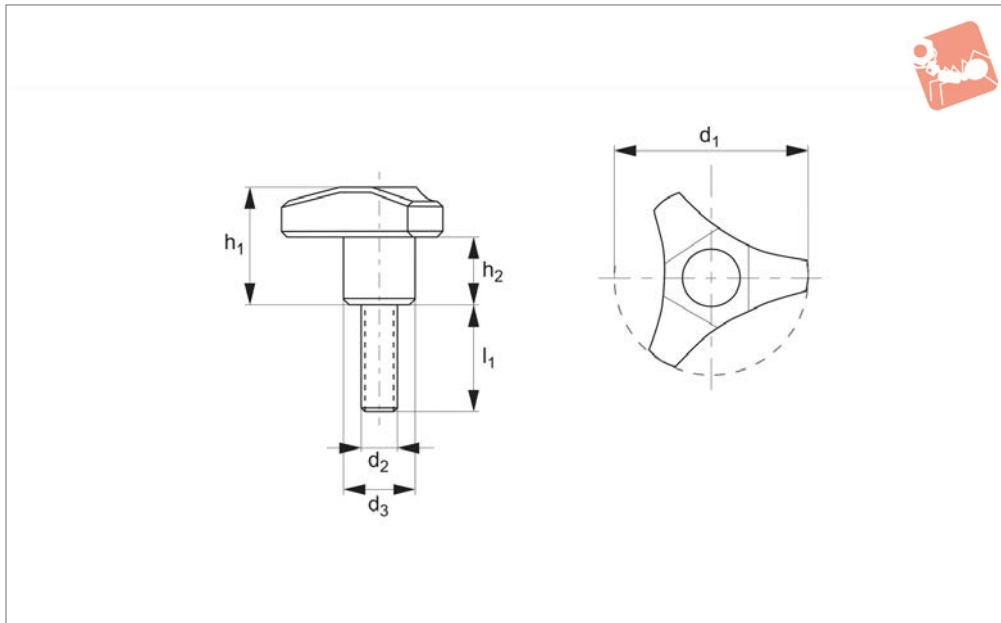
Order No.	Type	d ₁	d ₂	d ₃	h ₁	h ₂	t ₁	Weight g
70640.W0045	Threaded Through	45	M 6	18	27	16	15	12.4
70640.W0046	Threaded Through	45	M 8	18	27	16	15	13.2
70640.W0047	Threaded Through	45	M10	18	27	16	15	13.2
70640.W0055	Threaded Through	55	M 8	20	33	19	15	18.2
70640.W0056	Threaded Through	55	M10	20	33	19	15	19.2
70640.W0057	Threaded Through	55	M12	20	33	19	15	19.8
70640.W0146	Threaded Bush	45	M 6	18	27	16	14	13.8
70640.W0148	Threaded Bush	45	M 8	18	27	16	14	15.6
70640.W0150	Threaded Bush	45	M10	18	27	16	14	17.2
70640.W0155	Threaded Bush	55	M 8	20	33	19	14	22.8
70640.W0156	Threaded Bush	55	M10	20	33	19	14	23.4
70640.W0157	Threaded Bush	55	M12	20	33	19	14	25.6



Three Lobed Knobs with grub screw



Grips



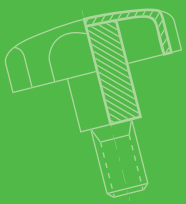
70660

GRIPS

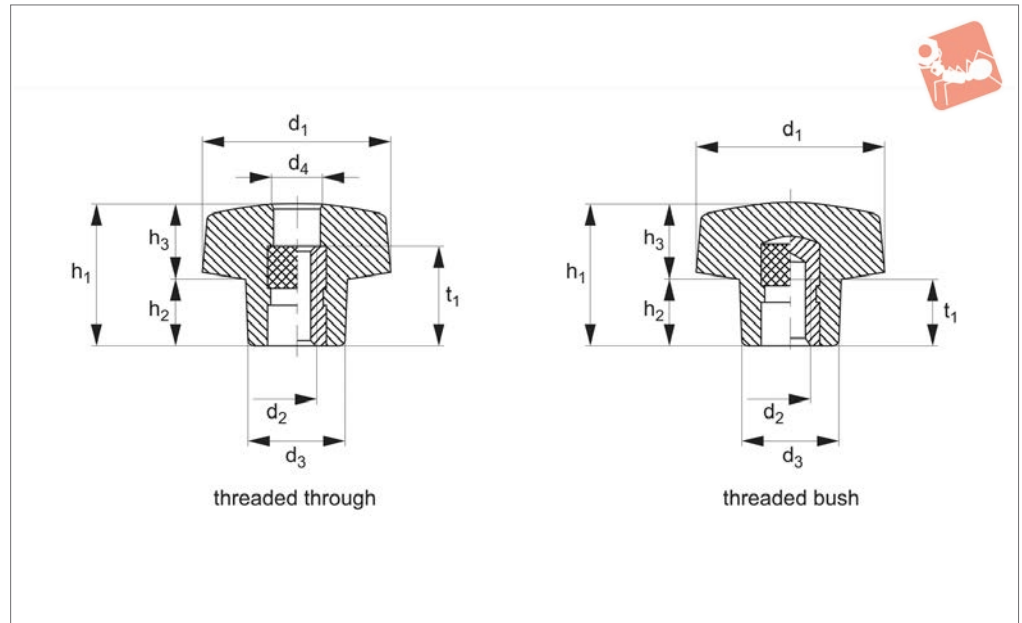
Material

Zinc plated steel stud. Thermoplastic, matt black.

Order No.	d ₁	d ₂	l ₁	d ₃	h ₁	h ₂	Weight g
70660.W0451	45	M 6	20	18	27	16	16.4
70660.W0452	45	M 6	25	18	27	16	17.0
70660.W0453	45	M 6	40	18	27	16	20.0
70660.W0454	45	M 8	20	18	27	16	20.2
70660.W0455	45	M 8	25	18	27	16	23.6
70660.W0456	45	M 8	40	18	27	16	27.0
70660.W0457	45	M10	20	18	27	16	30.0
70660.W0458	45	M10	30	18	27	16	35.0
70660.W0551	55	M 6	20	20	33	19	22.8
70660.W0552	55	M 6	25	20	33	19	23.6
70660.W0553	55	M 6	40	20	33	19	26.8
70660.W0554	55	M 8	20	20	33	19	27.2
70660.W0556	55	M 8	40	20	33	19	33.4
70660.W0560	55	M 8	30	20	33	19	30.1
70660.W0557	55	M10	20	20	33	19	36.4
70660.W0558	55	M10	30	20	33	19	42.0



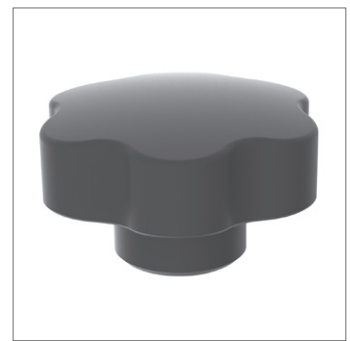
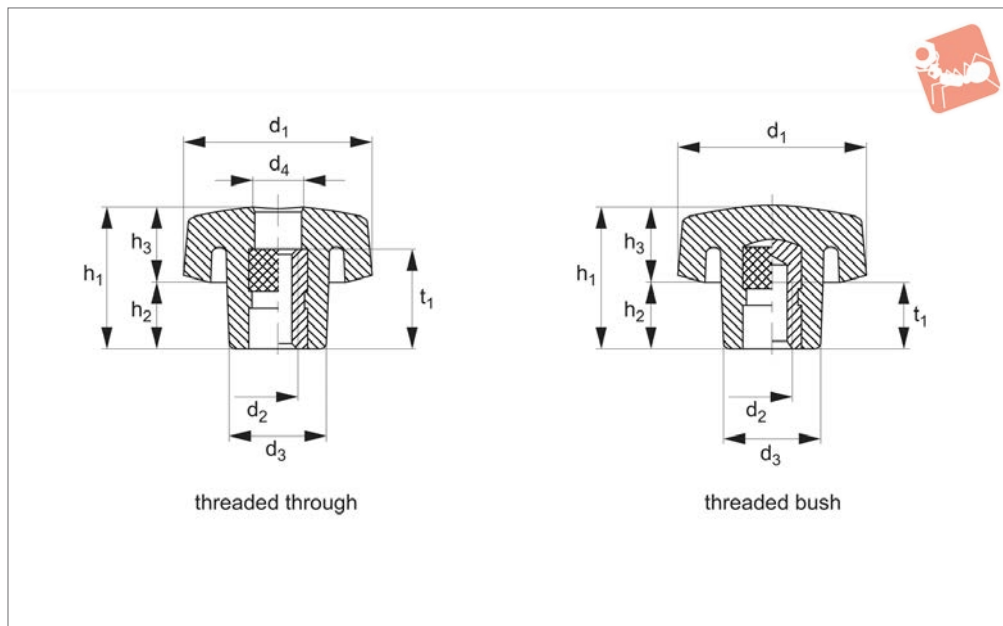
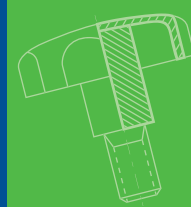
70680



Material

Brass bush. Duroplast, black.

Order No.	Type	d ₁	d ₂	d ₃	d ₄	h ₁	h ₂	h ₃	t ₁	Weight g
70680.W0021	Threaded Through	20	M 4	13	7.5	15	7	8.0	11	6
70680.W0022	Threaded Through	20	M 5	13	7.5	15	7	8.0	11	7
70680.W0023	Threaded Through	20	M 6	13	7.5	15	7	8.0	11	10
70680.W0031	Threaded Through	30	M 5	17	9.0	24	11	12.5	15	15
70680.W0032	Threaded Through	30	M 6	17	9.0	24	11	12.5	15	16
70680.W0033	Threaded Through	30	M 8	17	9.0	24	11	12.5	15	17
70680.W0204	Threaded Bush	20	M 4	13	-	15	7	8.0	9	5
70680.W0205	Threaded Bush	20	M 5	13	-	15	7	8.0	9	5
70680.W0206	Threaded Bush	20	M 6	13	-	15	7	8.0	9	5
70680.W0305	Threaded Bush	30	M 5	17	-	24	11	13.0	9	14
70680.W0306	Threaded Bush	30	M 6	17	-	24	11	13.0	9	15
70680.W0308	Threaded Bush	30	M 8	17	-	24	11	13.0	15	17
70680.W0406	Threaded Bush	40	M 6	21	-	28	12	16.0	13	35
70680.W0408	Threaded Bush	40	M 8	21	-	28	12	16.0	15	34
70680.W0410	Threaded Bush	40	M10	21	-	28	12	16.0	16	36
70680.W0508	Threaded Bush	50	M 8	25	-	33	13	20.0	15	54
70680.W0510	Threaded Bush	50	M10	25	-	33	13	20.0	16	56
70680.W0512	Threaded Bush	50	M12	25	-	33	13	20.0	18	58



70700

GRIPS

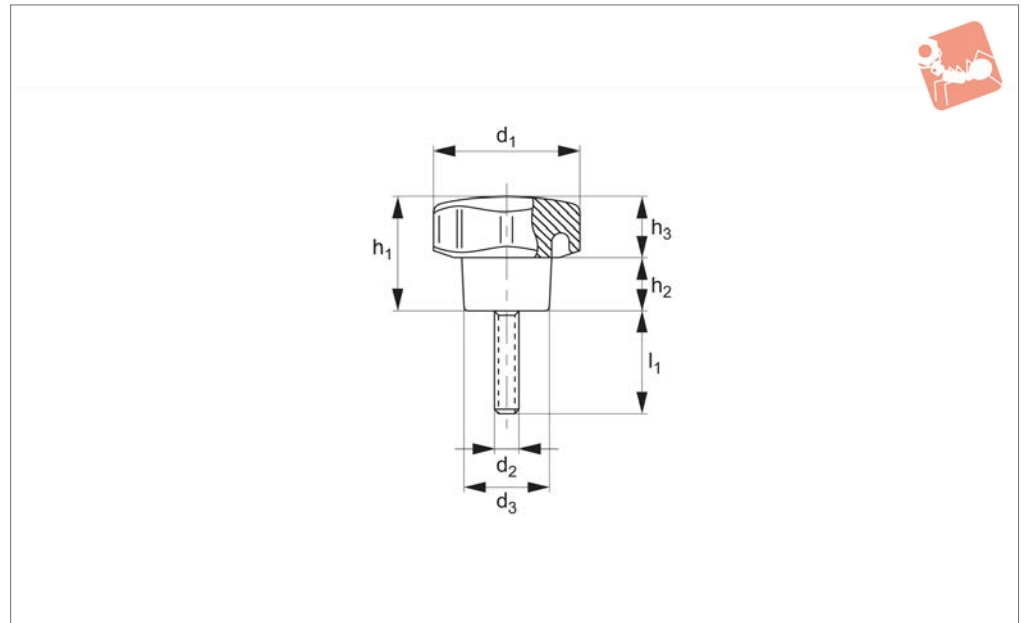
Material

Brass bush. Duroplast, black.

Order No.	Type	d ₁	d ₂	d ₃	d ₄	h ₁	h ₂	h ₃	t ₁	Weight g
70700.W0041	Threaded Through	40	M 6	21	11	28	13	15	18	28
70700.W0042	Threaded Through	40	M 8	21	11	28	13	15	18	29
70700.W0043	Threaded Through	40	M10	21	11	28	13	15	18	31
70700.W0051	Threaded Through	50	M 8	25	13	33	15	18	18	43
70700.W0052	Threaded Through	50	M10	25	13	33	15	18	18	45
70700.W0053	Threaded Through	50	M12	25	13	33	15	18	18	47
70700.W0061	Threaded Through	60	M10	28	11	35	15	20	25	70
70700.W0062	Threaded Through	60	M12	28	13	35	15	20	25	70
70700.W0063	Threaded Through	60	M14	28	15	35	15	20	25	70
70700.W0064	Threaded Through	60	M16	28	17	35	15	20	25	68
70700.W0071	Threaded Through	70	M10	32	11	42	21	21	25	92
70700.W0072	Threaded Through	70	M12	32	13	42	21	21	25	96
70700.W0073	Threaded Through	32	M14	70	15	42	21	21	25	94
70700.W0074	Threaded Through	70	M16	32	17	42	21	21	25	93
70700.W0406	Threaded Bush	40	M 6	21	-	28	13	15	13	26
70700.W0408	Threaded Bush	40	M 8	21	-	28	13	15	15	30
70700.W0410	Threaded Bush	40	M10	21	-	28	13	15	16	31
70700.W0508	Threaded Bush	50	M 8	25	-	33	15	18	15	48
70700.W0510	Threaded Bush	50	M10	25	-	33	15	18	16	49
70700.W0512	Threaded Bush	50	M12	25	-	33	15	18	18	50
70700.W0608	Threaded Bush	60	M 8	28	-	35	15	20	15	67
70700.W0610	Threaded Bush	60	M10	28	-	35	15	20	16	68
70700.W0612	Threaded Bush	60	M12	28	-	35	15	20	18	70
70700.W0614	Threaded Bush	60	M14	28	-	35	15	20	20	75
70700.W0620	Threaded Bush	60	M16	28	-	35	15	20	20	77
70700.W0710	Threaded Bush	70	M10	32	-	42	21	21	16	92
70700.W0712	Threaded Bush	70	M12	32	-	42	21	21	18	95
70700.W0714	Threaded Bush	70	M14	32	-	42	21	21	20	100
70700.W0716	Threaded Bush	70	M16	32	-	42	21	21	20	102
70700.W0912	Threaded Bush	90	M12	42	-	55	26	29	18	202
70700.W0914	Threaded Bush	90	M14	42	-	55	26	29	20	201
70700.W0916	Threaded Bush	90	M16	42	-	55	26	29	20	201
70700.W0918	Threaded Bush	90	M18	42	-	55	26	29	20	217



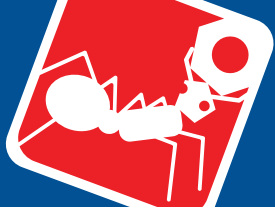
70720



Material

Zinc plated steel stud. Duroplast, black.

Order No.	d ₁	d ₂	l ₁	d ₃	h ₁	h ₂	h ₃	Weight g
70720.W0040	40	M 6	25	21	28	13	15	34
70720.W0041	40	M 6	40	21	28	13	15	37
70720.W0042	40	M 8	20	21	28	13	15	38
70720.W0043	40	M 8	25	21	28	13	15	39
70720.W0044	40	M 8	30	21	28	13	15	40
70720.W0045	40	M 8	40	21	28	13	15	44
70720.W0046	40	M 8	50	21	28	13	15	46
70720.W0047	40	M 8	70	21	28	13	15	55
70720.W0048	40	M10	50	21	28	13	15	60
70720.W0049	40	M10	70	21	28	13	15	70
70720.W0050	50	M 8	25	25	33	15	18	55
70720.W0051	50	M 8	40	25	33	15	18	60
70720.W0052	50	M 8	60	25	33	15	18	67
70720.W0053	50	M10	25	25	33	15	18	63
70720.W0054	50	M10	40	25	33	15	18	70
70720.W0055	50	M10	50	25	33	15	18	76
70720.W0056	50	M10	15	25	33	15	18	84
70720.W0057	50	M12	40	25	33	15	18	93
70720.W0058	50	M12	60	25	33	15	18	108
70720.W0060	60	M 8	20	28	35	15	20	75
70720.W0061	60	M 8	40	28	35	15	20	80
70720.W0062	60	M 8	60	28	35	15	20	87
70720.W0063	60	M10	20	28	35	15	20	82
70720.W0064	60	M10	40	28	35	15	20	96
70720.W0065	60	M10	60	28	35	15	20	107
70720.W0066	60	M12	30	28	35	15	20	107
70720.W0067	60	M12	50	28	35	15	20	122
70720.W0068	60	M12	60	28	35	15	20	127
70720.W0069	60	M12	80	28	35	15	20	133
70720.W0070	70	M10	30	32	42	21	21	115
70720.W0071	70	M10	40	32	42	21	21	116
70720.W0072	70	M12	30	32	42	21	21	133
70720.W0073	70	M12	40	32	42	21	21	138
70720.W0074	70	M12	50	32	42	21	21	145



Six Lobed Knobs with grub screw



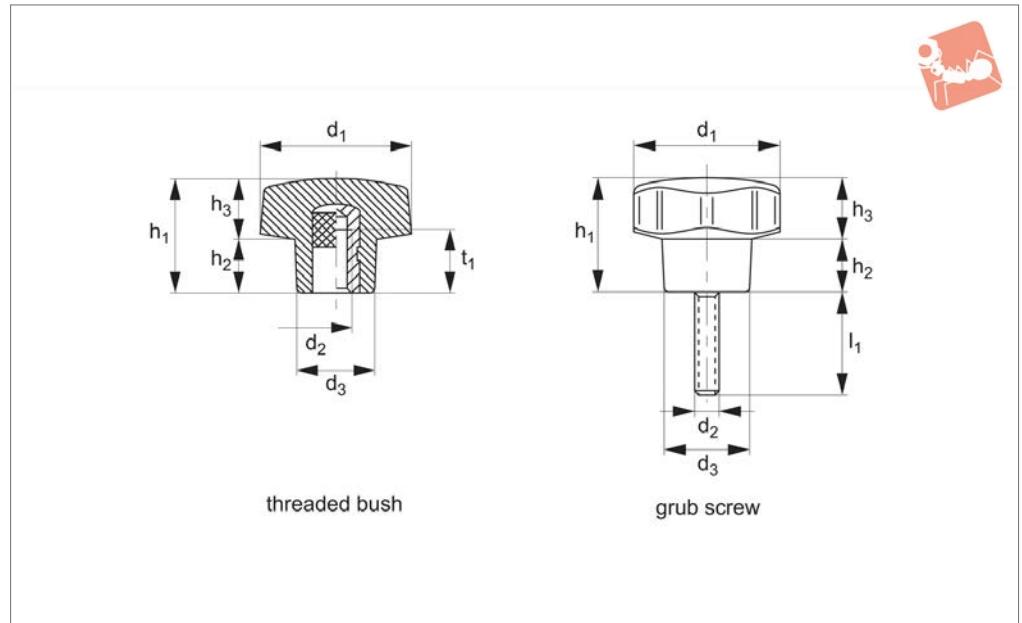
Grips

Order No.	d ₁	d ₂	l ₁	d ₃	h ₁	h ₂	h ₃	Weight g
70720.W0075	70	M12	70	32	42	21	21	156
70720.W0076	70	M14	40	32	42	21	21	170
70720.W0077	70	M14	50	32	42	21	21	181
70720.W0090	90	M12	60	42	55	26	29	255
70720.W0091	90	M12	70	42	55	26	29	260
70720.W0092	90	M14	60	42	55	26	29	283
70720.W0093	90	M14	70	42	55	26	29	288
70720.W0094	90	M16	60	42	55	26	29	322
70720.W0095	90	M16	70	42	55	26	29	328

GRIPS



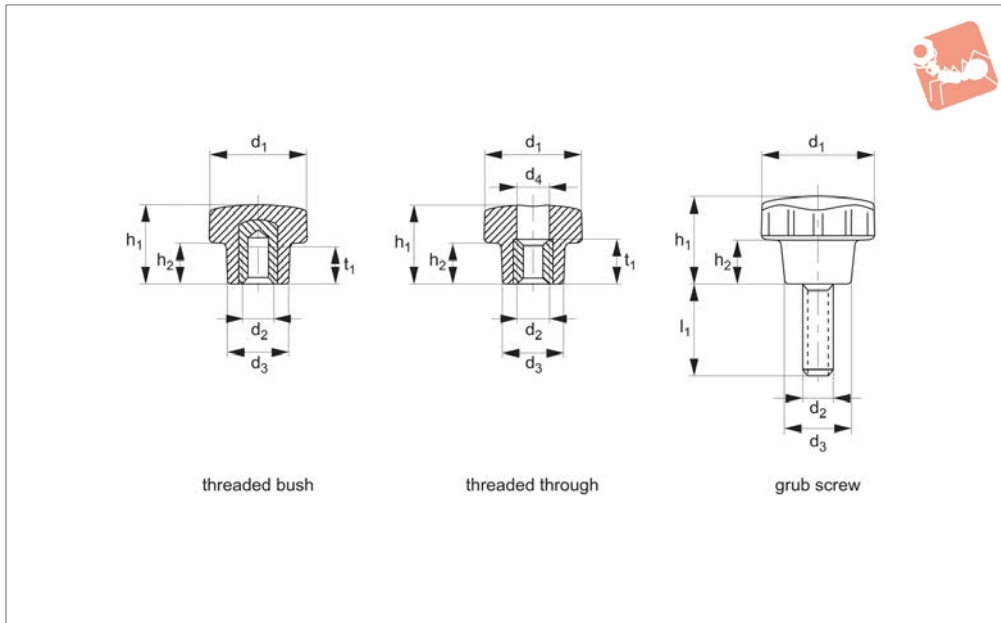
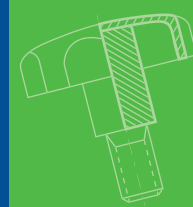
70740



Material

Stainless steel bush or thread AISI 303 (1.4305). Duroplast, black.

Order No.	Type	d ₁	d ₂	l ₁	d ₃	h ₁	h ₂	h ₃	t ₁	Weight g
70740.W0030	Threaded Bush	30	M 6	-	17	24	11	13	9	15
70740.W0040	Threaded Bush	40	M 8	-	21	28	12	16	15	33
70740.W0050	Threaded Bush	50	M10	-	25	33	13	20	16	55
70740.W0060	Threaded Bush	60	M12	-	28	37	15	22	18	85
70740.W0301	Grub Screw	30	M 6	10	17	24	11	13	-	18
70740.W0302	Grub Screw	30	M 6	20	17	24	11	13	-	21
70740.W0303	Grub Screw	30	M 6	35	17	24	11	13	-	22
70740.W0401	Grub Screw	40	M 8	20	21	28	12	16	-	42
70740.W0402	Grub Screw	40	M 8	25	21	28	12	16	-	44
70740.W0403	Grub Screw	40	M 8	30	21	28	12	16	-	46
70740.W0404	Grub Screw	40	M 8	45	21	28	12	16	-	51
70740.W0501	Grub Screw	50	M10	20	25	33	13	20	-	73
70740.W0502	Grub Screw	50	M10	30	25	33	13	20	-	78
70740.W0503	Grub Screw	50	M10	50	25	33	13	20	-	87
70740.W0601	Grub Screw	60	M12	30	28	37	15	22	-	118
70740.W0602	Grub Screw	60	M12	40	28	37	15	22	-	125
70740.W0603	Grub Screw	60	M12	50	28	37	15	22	-	132
70740.W0701	Grub Screw	70	M12	70	32	42	18	24	-	184



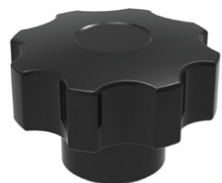
70760

GRIPS

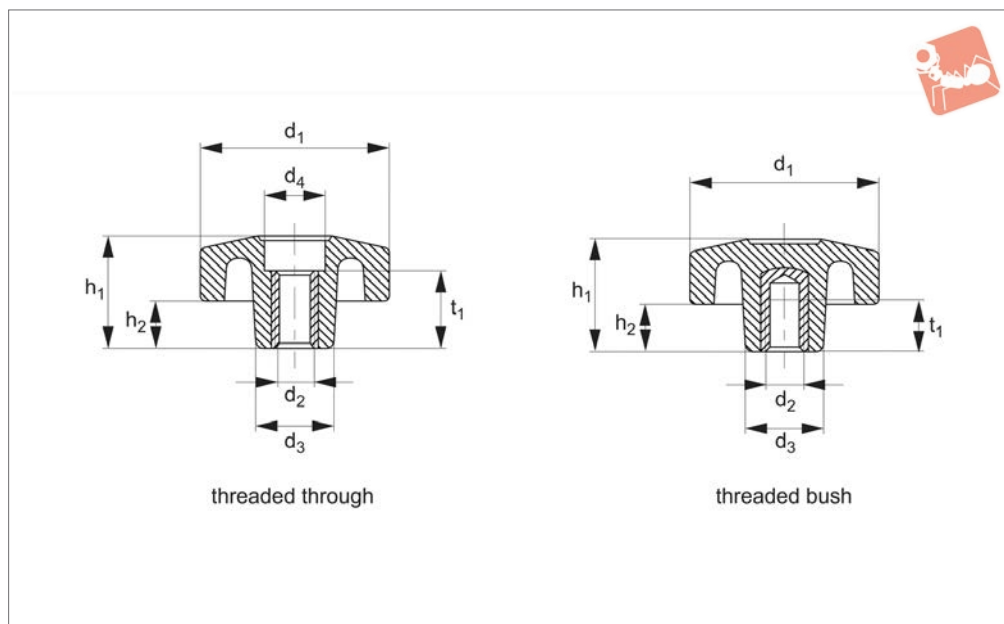
Material

Brass bush. Thermoplastic, black.

Order No.	Type	d ₁	d ₂	l ₁	d ₃	d ₄	h ₁	h ₂	t ₁	Weight g
70760.W0004	Threaded Bush	21	M 4	-	13	-	15	8	8	8
70760.W0005	Threaded Bush	21	M 5	-	13	-	15	8	8	8
70760.W0006	Threaded Bush	21	M 6	-	13	-	15	8	8	8
70760.W0104	Threaded Through	21	M 4	-	13	7	15	8	11	7
70760.W0105	Threaded Through	21	M 5	-	13	7	15	8	11	7
70760.W0106	Threaded Through	21	M 6	-	13	7	15	8	11	7
70760.W0410	Grub Screw	21	M 4	10	13	-	16	8	-	5
70760.W0425	Grub Screw	21	M 4	25	13	-	16	8	-	5
70760.W0510	Grub Screw	21	M 5	10	13	-	16	8	-	6
70760.W0515	Grub Screw	21	M 5	15	13	-	16	8	-	6



70800

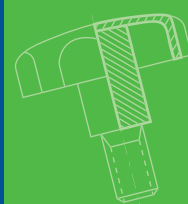
**Material**

Brass bush. Thermoplastic, matte black.

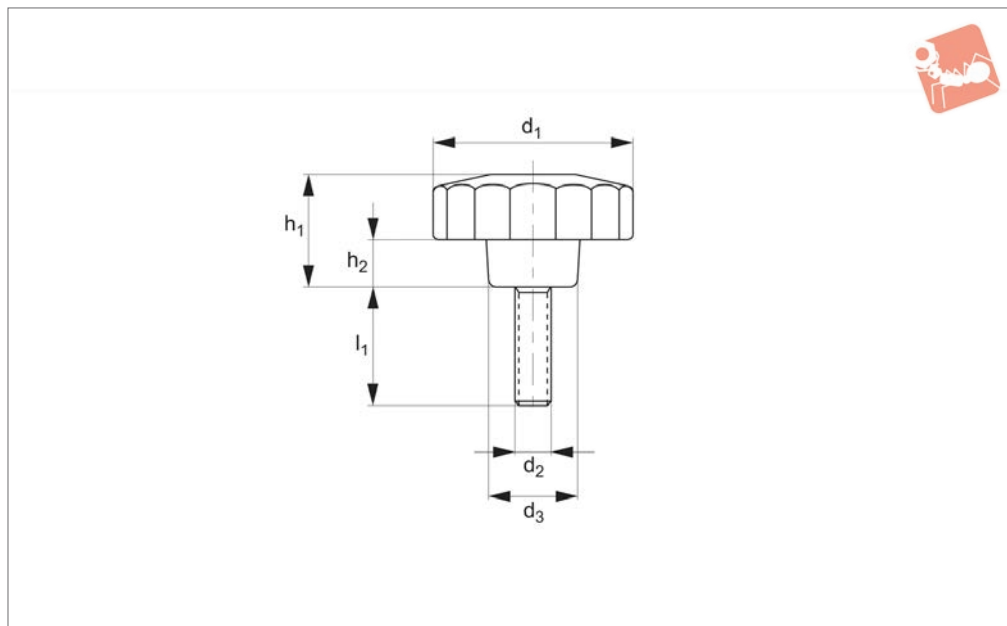
Order No.	Type	d ₁	d ₂	d ₃	h ₁	d ₄	t ₁	h ₂	Weight g
70800.W0021	Threaded Through	25	M 4	13	17	7	11	8	7
70800.W0022	Threaded Through	25	M 5	13	17	7	11	8	8
70800.W0023	Threaded Through	25	M 6	13	17	7	11	8	9
70800.W0031	Threaded Through	35	M 6	18	20	11	15	8	18
70800.W0032	Threaded Through	35	M 8	18	20	11	15	8	18
70800.W0033	Threaded Through	35	M10	18	20	11	15	8	19
70800.W0042	Threaded Through	45	M 6	22	26	11	18	12	27
70800.W0043	Threaded Through	45	M 8	22	26	11	18	12	28
70800.W0044	Threaded Through	45	M10	22	26	11	18	12	30
70800.W0051	Threaded Through	55	M 8	25	29	13	18	15	40
70800.W0052	Threaded Through	55	M10	25	29	13	18	15	41
70800.W0053	Threaded Through	55	M12	25	29	13	18	15	42
70800.W0254	Threaded Bush	25	M 4	13	17	-	9	8	7
70800.W0255	Threaded Bush	25	M 5	13	17	-	9	8	7
70800.W0256	Threaded Bush	25	M 6	13	17	-	9	8	7
70800.W0356	Threaded Bush	35	M 6	18	20	-	13	8	16
70800.W0358	Threaded Bush	35	M 8	18	20	-	13	8	17
70800.W0359	Threaded Bush	35	M10	18	20	-	13	8	18
70800.W0455	Threaded Bush	45	M 5	22	26	-	13	12	27
70800.W0456	Threaded Bush	45	M 6	22	26	-	13	12	27
70800.W0458	Threaded Bush	45	M 8	22	26	-	13	12	28
70800.W0459	Threaded Bush	45	M10	22	26	-	13	12	29
70800.W0558	Threaded Bush	55	M 8	25	29	-	15	15	43
70800.W0559	Threaded Bush	55	M10	25	29	-	16	15	44
70800.W0562	Threaded Bush	55	M12	25	29	-	18	15	45



Eight Lobed Knobs with grub screw



Grips



70820

GRIPS

Material

Zinc plated steel stud. Thermoplastic, black, matte.

Order No.	d ₁	d ₂	l ₁	d ₃	h ₁	h ₂	Weight g
70820.W0021	25	M 4	15	13	17	8	7
70820.W0022	25	M 5	15	13	17	8	8
70820.W0023	25	M 5	25	13	17	8	9
70820.W0024	25	M 6	15	13	17	8	10
70820.W0025	25	M 6	20	13	17	8	11
70820.W0026	25	M 6	25	13	17	8	12
70820.W0031	35	M 6	15	18	20	8	19
70820.W0032	35	M 6	25	18	20	8	20
70820.W0033	35	M 6	35	18	20	8	22
70820.W0034	35	M 8	20	18	20	8	26
70820.W0035	35	M 8	25	18	20	8	26
70820.W0036	35	M 8	40	18	20	8	29
70820.W0037	35	M10	30	18	20	8	35
70820.W0041	45	M 8	20	22	26	12	37
70820.W0042	45	M 8	25	22	26	12	38
70820.W0043	45	M 8	30	22	26	12	39
70820.W0044	45	M 8	40	22	26	12	41
70820.W0045	45	M10	20	22	26	12	44
70820.W0046	45	M10	30	22	26	12	51
70820.W0047	45	M10	40	22	26	12	54
70820.W0051	55	M 8	20	25	29	15	50
70820.W0052	55	M 8	30	25	29	15	53
70820.W0053	55	M 8	40	25	29	15	56
70820.W0054	55	M10	20	25	29	15	57
70820.W0055	55	M10	30	25	29	15	63
70820.W0056	55	M10	40	25	29	15	68
70820.W0057	55	M12	30	25	29	15	83
70820.W0058	55	M12	40	25	29	15	90