

77300

HANDWHEELS

Material

Aluminium mould casting. Plastic handle PF 31, DIN 7708.

Hub machined; rim turned and mirror-finished on all sides, non-machined surfaces cleanly blasted.

For corresponding handle details see no. 75120 rotating handle.

Technical Notes

The non-machined, raw surfaces are blasted; together with the mirror-polished

rim these handwheels are therefore showing a finish which in most cases does not require additional lacquering.

For keyways information (dim. t_1 and b_3) to DIN 6885.

Order No.	Type	Bore dia.	d_1	d_2 tol. H7 Small	d_2 tol. H7 Large	d_3	d_4	l_1	l_2 \approx	l_3	w_1	Weight g
77300.W0012	W/o Keyway, W/o Handle	d_2 Small	125	12	14	31	-	18	33	15.0	-	301
77300.W0013	W/o Keyway, W/o Handle	d_2 Large	125	12	14	31	-	18	33	15.0	-	301
77300.W0014	W/o Keyway, W/o Handle	d_2 Small	140	14	16	36	-	19	36	16.5	-	400
77300.W0015	W/o Keyway, W/o Handle	d_2 Large	140	14	16	36	-	19	36	16.5	-	400
77300.W0016	W/o Keyway, W/o Handle	d_2 Small	160	14	16	36	-	20	39	18.0	-	520
77300.W0017	W/o Keyway, W/o Handle	d_2 Large	160	14	16	36	-	20	39	18.0	-	520
77300.W0020	W/o Keyway, W/o Handle	d_2 Small	200	18	20	42	-	24	45	20.5	-	886
77300.W0021	W/o Keyway, W/o Handle	d_2 Large	200	18	20	42	-	24	45	20.5	-	886
77300.W0025	W/o Keyway, W/o Handle	d_2 Small	250	22	26	48	-	28	51	23.0	-	1454
77300.W0026	W/o Keyway, W/o Handle	d_2 Large	250	22	26	48	-	28	51	23.0	-	1454
77300.W0112	With Keyway, W/o Handle	d_2 Small	125	12	14	31	-	18	33	15.0	-	303
77300.W0113	With Keyway, W/o Handle	d_2 Large	125	12	14	31	-	18	33	15.0	-	303
77300.W0114	With Keyway, W/o Handle	d_2 Small	140	14	16	36	-	19	36	16.5	-	406
77300.W0115	With Keyway, W/o Handle	d_2 Large	140	14	16	36	-	19	36	16.5	-	406
77300.W0116	With Keyway, W/o Handle	d_2 Small	160	14	16	36	-	20	39	18.0	-	542
77300.W0117	With Keyway, W/o Handle	d_2 Large	160	14	16	36	-	20	39	18.0	-	542
77300.W0120	With Keyway, W/o Handle	d_2 Small	200	18	20	42	-	24	45	20.5	-	914
77300.W0121	With Keyway, W/o Handle	d_2 Large	200	18	20	42	-	24	45	20.5	-	914
77300.W0125	With Keyway, W/o Handle	d_2 Small	250	22	26	48	-	28	51	23.0	-	1446
77300.W0126	With Keyway, W/o Handle	d_2 Large	250	22	26	48	-	28	51	23.0	-	1446
77300.W0512	W/o Keyway, With Handle	d_2 Small	125	12	14	31	M 8	18	33	15.0	23	390
77300.W0513	W/o Keyway, With Handle	d_2 Large	125	12	14	31	M 8	18	33	15.0	23	390
77300.W0514	W/o Keyway, With Handle	d_2 Small	140	14	16	36	M 8	19	36	16.5	23	490
77300.W0515	W/o Keyway, With Handle	d_2 Large	140	14	16	36	M 8	19	36	16.5	23	490
77300.W0516	W/o Keyway, With Handle	d_2 Small	160	14	16	36	M10	20	39	18.0	26	645
77300.W0517	W/o Keyway, With Handle	d_2 Large	160	14	16	36	M10	20	39	18.0	26	645
77300.W0520	W/o Keyway, With Handle	d_2 Small	200	18	20	42	M10	24	45	20.5	26	1000
77300.W0521	W/o Keyway, With Handle	d_2 Large	200	18	20	42	M10	24	45	20.5	26	1000
77300.W0525	W/o Keyway, With Handle	d_2 Small	250	22	26	48	M10	28	51	23.0	28	1585
77300.W0526	W/o Keyway, With Handle	d_2 Large	250	22	26	48	M10	28	51	23.0	28	1585
77300.W0612	With Keyway, With Handle	d_2 Small	125	12	14	31	M 8	18	33	15.0	23	390
77300.W0613	With Keyway, With Handle	d_2 Large	125	12	14	31	M 8	18	33	15.0	23	390



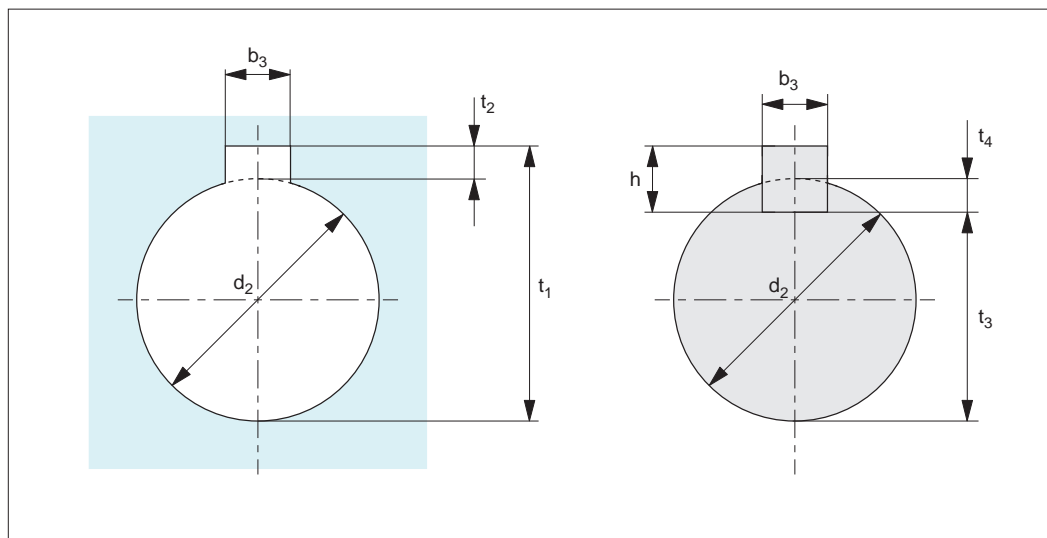
Order No.	Type	Bore dia.	d ₁	d ₂		d ₃	d ₄	l ₁	l ₂ ~	l ₃	w ₁	Weight g
				tol. H7 ² Small	tol. H7 ² Large							
77300.W0614	With Keyway, With Handle	d ₂ Small	140	14	16	36	M 8	19	36	16.5	23	490
77300.W0615	With Keyway, With Handle	d ₂ Large	140	14	16	36	M 8	19	36	16.5	23	490
77300.W0616	With Keyway, With Handle	d ₂ Small	160	14	16	36	M10	20	39	18.0	26	645
77300.W0617	With Keyway, With Handle	d ₂ Large	160	14	16	36	M10	20	39	18.0	26	645
77300.W0620	With Keyway, With Handle	d ₂ Small	200	18	20	42	M10	24	45	20.5	26	1000
77300.W0621	With Keyway, With Handle	d ₂ Large	200	18	20	42	M10	24	45	20.5	26	1000
77300.W0625	With Keyway, With Handle	d ₂ Small	250	22	26	48	M10	28	51	23.0	28	1585
77300.W0626	With Keyway, With Handle	d ₂ Large	250	22	26	48	M10	28	51	23.0	28	1585

HANDWHEELS



Keyway Dimensions to DIN 6885

Knobs, Handles & Handwheels



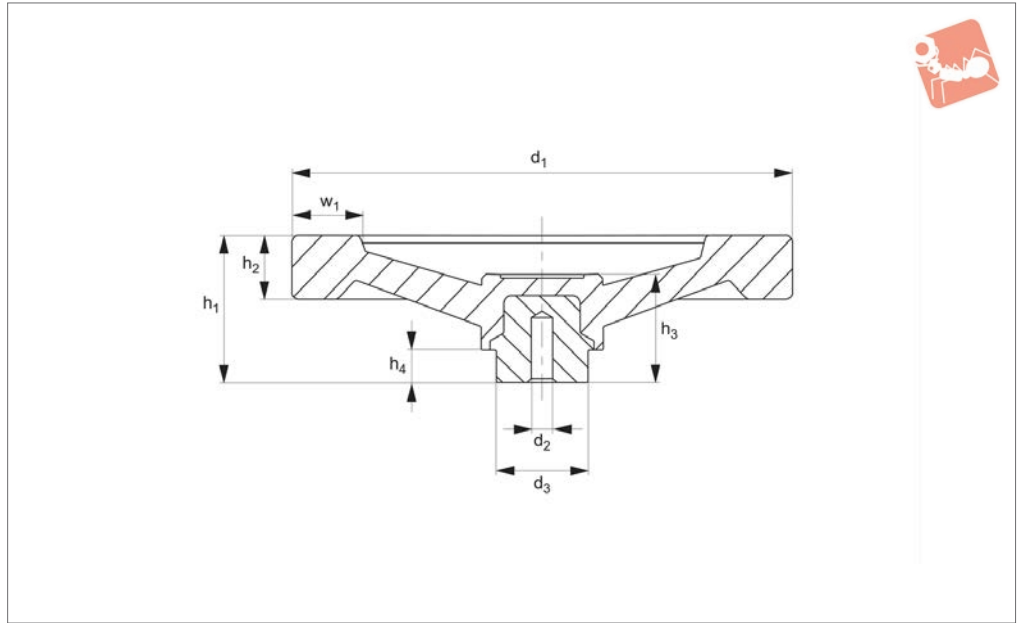
d_2	$b_{P9/JS9}$ hole	$b_{P9/N9}$ shaft	h	$t_1 = d_2 + t_2$	t_2	$t_3 = d_2 - t_4$	t_4
7	2	2	2	8	1+0,1	5,8	1,2+0,1
8	2	2	2	9	1	6,8	1,2
9	3	3	3	10,4	1,4	7,2	1,8
10	3	3	3	11,4	1,4	8,2	1,8
11	4	4	4	12,8	1,8	8,5	2,5
12	4	4	4	13,8	1,8	9,5	2,5
13	5	5	5	15,3	2,3	10	3
14	5	5	5	16,3	2,3	11	3
15	5	5	5	17,3	2,3	12	3
16	5	5	5	18,3	2,3	13	3
17	5	5	5	19,3	2,3	14	3
18	6	6	6	20,8	2,8	14,5	3,5
20	6	6	6	22,8	2,8	16,5	3,5
22	6	6	6	24,8	2,8	18,5	3,5
24	8	8	7	27,3	3,3+0,2	20	4+0,2
25	8	8	7	28,3	3,3	21	4
26	8	8	7	29,3	3,3	22	4
28	8	8	7	31,3	3,3	24	4
30	8	8	7	33,3	3,3	26	4
32	10	10	8	35,3	3,3	27	5
34	10	10	8	37,3	3,3	29	5
35	10	10	8	38,3	3,3	30	5
36	10	10	8	39,3	3,3	31	5
38	10	10	8	41,3	3,3	33	5
40	12	12	8	43,3	3,3	35	5
42	12	12	8	45,3	3,3	37	5
44	12	12	8	47,3	3,3	39	5

HANDWHEELS

ov-W77100-A-T-W77400-AL1458-T-keyway-dimensions-din-6885-rnh-Updated -27-10-2022



77340



HANDWHEELS

Material

Duroplast, black, matt. Zinc plated steel hub.

Technical Notes

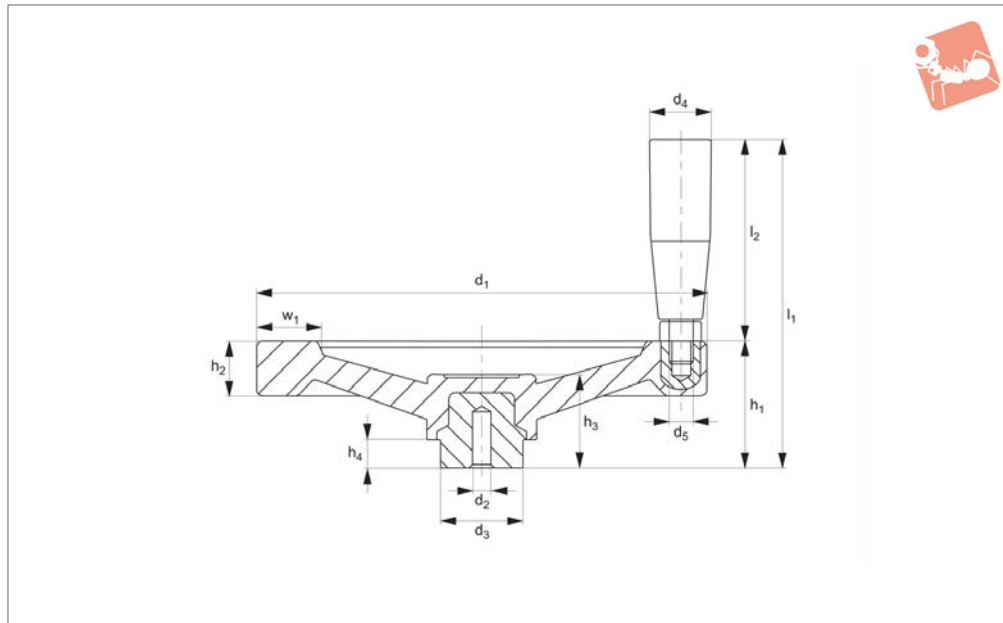
The pilot hole allows various sizes of holes, keyways etc. to be machined into the hub

upon request.

Order No.	d ₁	d ₂	d ₃	h ₁	h ₂	h ₃	h ₄	w ₁	Weight g
77340.W0100	100	4	24	36	14	30	11	15	169
77340.W0125	125	4	24	41	16	34	11	18	253
77340.W0150	125	6	32	46	20	38	13	21	433
77340.W0200	200	6	40	62	25	45	16	26	933
77340.W0250	250	8	48	70	28	50	17	30	1484



Two Spoked Handwheels with rotating grip



77360

HANDWHEELS

Material

Black duroplast. Zinc plated steel hub.

keyways etc. to be machined into the hub upon request.

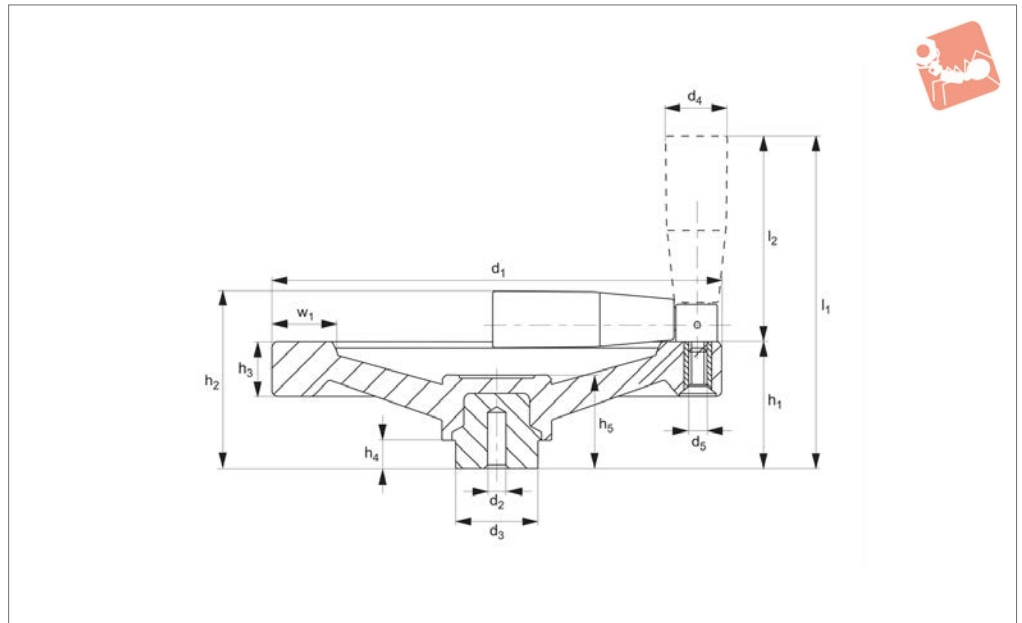
Technical Notes

The pilot hole allows various sizes of holes,

Order No.	Type	d ₁	d ₂	d ₃	d ₄	d ₅	h ₁	h ₂	h ₃	h ₄	l ₁	l ₂	w ₁	Weight g
77360.W0100	Standard	100	4	24	17	M 8	36	14	30	11	81	40	15	198
77360.W0125	Standard	125	4	24	23	M 8	41	16	34	11	102	55	18	312
77360.W0150	Standard	150	6	32	25	M10	46	20	38	13	117	65	21	525
77360.W0200	Standard	200	6	40	28	M10	62	25	45	16	154	85	26	1070
77360.W0250	Standard	250	8	48	28	M10	70	28	50	17	162	85	30	1628
77360.W0600	Reinforced	100	4	24	17	M 8	36	14	30	11	81	40	15	195
77360.W0625	Reinforced	125	4	24	23	M 8	41	16	34	11	102	55	18	317
77360.W0650	Reinforced	150	6	32	25	M10	46	20	38	13	117	65	21	519
77360.W0700	Reinforced	200	6	40	28	M10	62	25	45	16	154	85	26	1080
77360.W0750	Reinforced	250	8	48	28	M10	70	28	50	17	162	85	30	1662



77380



Material

Duroplast, black. Zinc plated steel hub.
Fold-away revolving handle.

Technical Notes

The pilot hole allows various sizes of holes,
keyways etc. to be machined into the hub

upon request.

Order No.	d ₁	d ₂	d ₃	d ₄	d ₅	h ₁	h ₂	h ₃	h ₄	h ₅	l ₁	l ₂	w ₁	Weight g
77380.W0125	125	4	24	23	M 5	41	61	16	11	34	112	55	18	318
77380.W0150	150	6	32	25	M 6	46	67	20	13	38	128	65	21	500
77380.W0200	200	6	40	28	M 6	62	86	25	16	45	167	85	26	995
77380.W0250	250	8	48	28	M 6	70	94	28	17	50	175	85	30	1340