

77010

HANDWHEELS

Material

Standard: Duroplast, black. Zinc plated steel hub.

Reinforced: Duroplast with glass fibre

beads of increased strength, black zinc plated steel hub.

Technical Notes

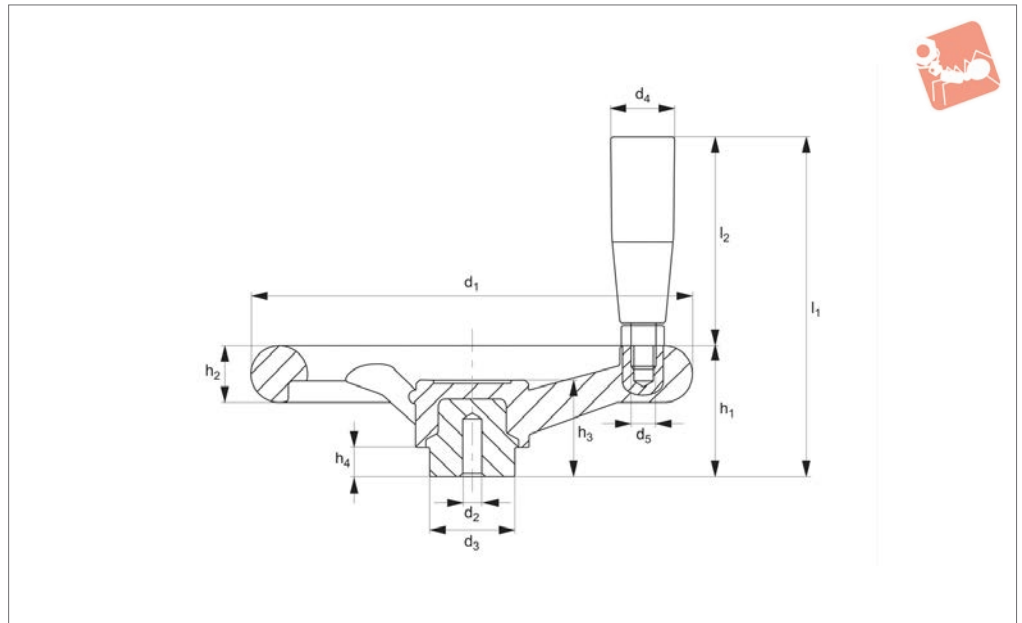
The pilot hole allows various sizes of holes, keyways etc. to be machined into the boss.

Order No.

- 77010.W0100
- 77010.W0125
- 77010.W0150
- 77010.W0175
- 77010.W0200
- 77010.W0250
- 77010.W0300
- 77010.W0500
- 77010.W0525
- 77010.W0550
- 77010.W0575
- 77010.W0700
- 77010.W0750
- 77010.W0800



77030



Material

Standard: Duroplast, black. Zinc plated steel hub. Revolving handle.

Reinforced: Duroplast with glass fibre

beads for increased strength, black zinc plated steel auto-revolving handle.

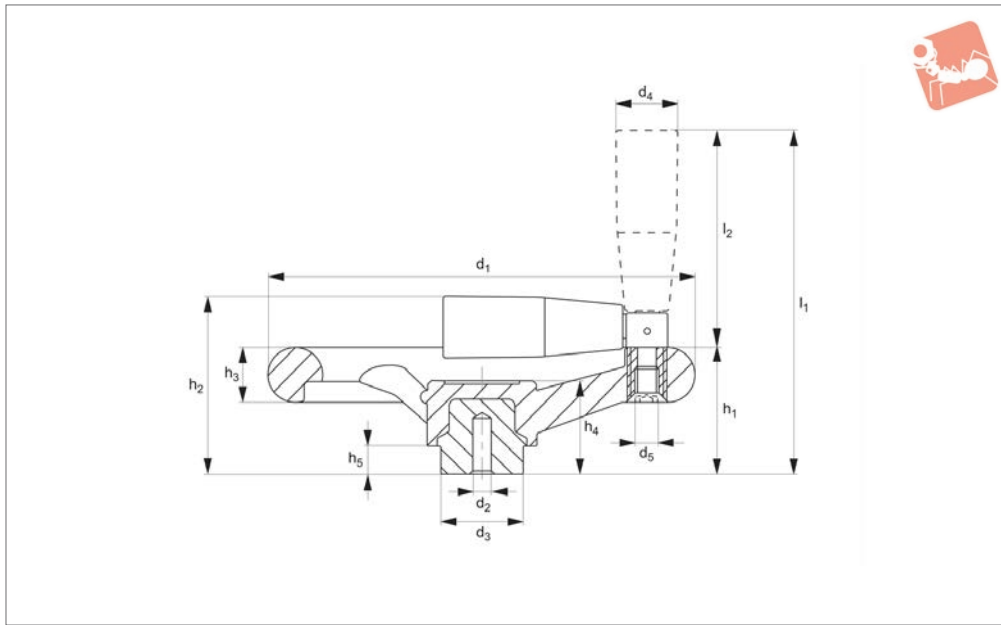
Technical Notes

The pilot hole allows various sizes of holes, keyways etc. to be machined into the hub. Corresponding rotating handle 75100.

Order No.	Type	d ₁	d ₂	d ₃	l ₁	l ₂	h ₁	h ₂	h ₃	h ₄	d ₄	d ₅	Weight g
77030.W0100	Standard	100	4	24	85	40	40	15	34	11	17	M 8	189
77030.W0125	Standard	125	6	24	107	55	46	17	37	13	23	M 8	300
77030.W0150	Standard	150	6	32	120	65	49	20	38	13	25	M10	470
77030.W0175	Standard	175	6	40	127	65	56	22	42	16	25	M10	695
77030.W0200	Standard	200	8	40	153	85	61	24	45	16	28	M10	880
77030.W0250	Standard	250	10	48	164	85	72	28	50	17	28	M10	1335
77030.W0300	Standard	300	10	58	170	85	78	34	56	18	28	M10	2165
77030.W0500	Reinforced	100	4	24	85	40	40	15	34	11	17	M 8	191
77030.W0525	Reinforced	125	6	24	107	55	46	17	37	13	23	M 8	309
77030.W0550	Reinforced	150	6	32	120	65	49	20	38	13	25	M10	484
77030.W0575	Reinforced	175	6	40	127	65	56	22	42	16	25	M10	694
77030.W0700	Reinforced	200	8	40	153	85	61	24	45	16	28	M10	897
77030.W0750	Reinforced	250	10	48	164	85	72	28	50	17	28	M10	1367
77030.W0800	Reinforced	300	10	58	170	85	78	34	56	18	28	M10	2130



Three Spoked Handwheels with fold-away rotating grip



77040

HANDWHEELS

Material

Duroplast, black. Zinc plated steel hub.
With fold-away revolving grip.

Technical Notes

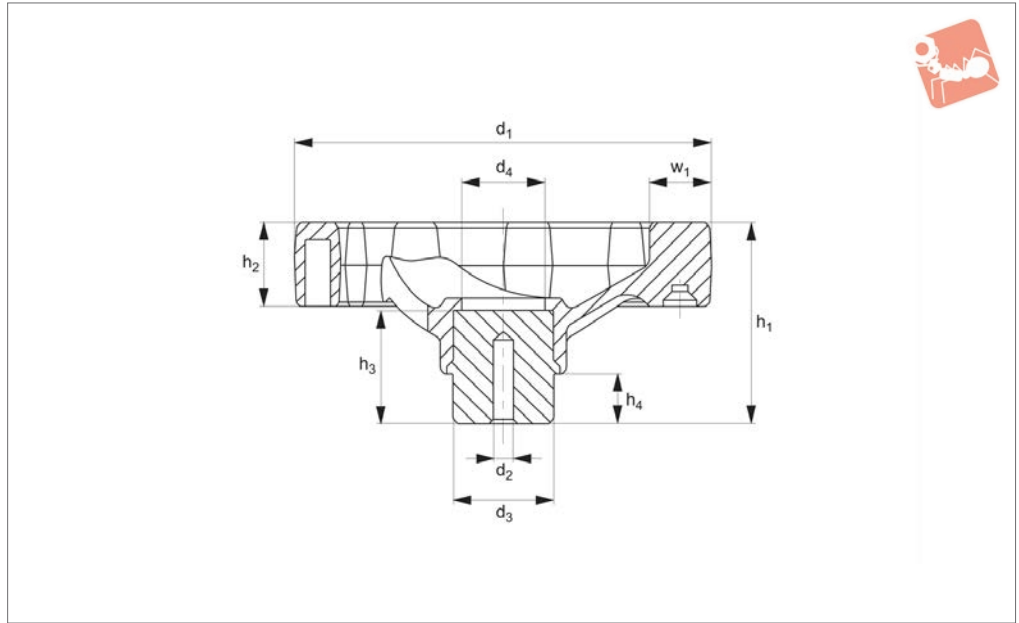
The pilot hole allows various sizes of holes,
keyways etc. to be machined into the hub.

Corresponding rotating handle 75150.

Order No.	d ₁	d ₂	d ₃	l ₁	l ₂	h ₁	h ₂	h ₃	h ₄	h ₅	d ₄	d ₅	Weight g
77040.W0125	125	6	24	118	55	46	66	17	37	13	23	M 5	322
77040.W0150	150	6	32	131	65	49	70	20	38	13	25	M 6	487
77040.W0175	175	6	40	138	65	56	77	22	42	16	25	M 6	698
77040.W0200	200	6	40	166	85	61	85	24	45	16	28	M 6	910
77040.W0250	250	8	48	177	85	72	96	28	50	17	28	M 6	1380
77040.W0300	300	8	58	183	85	78	102	34	56	18	28	M 6	2142



77060



HANDWHEELS

Material

Black, matt, thermoplastic, with zinc plated steel hub.

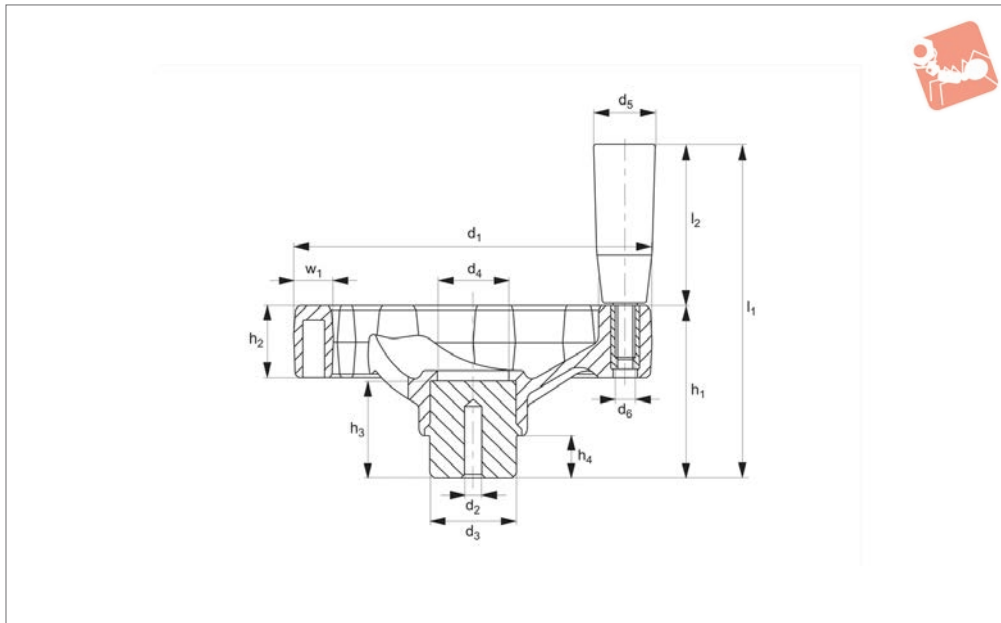
Technical Notes

The pilot hole allows various sizes of holes, keyways etc. to be machined into the hub.

Order No.	d ₁	d ₂	d ₃	h ₁	h ₂	h ₃	h ₄	d ₄	w ₁	Weight g
77060.W0100	100	4	24	46	20	24	12	18	15	150
77060.W0125	125	6	24	51	24	28	12	20	17	241
77060.W0160	160	6	32	61	28	31	15	30	20	444
77060.W0200	200	6	40	74	32	40	15	35	24	834



Three Spoked Handwheels with rotating grip



77070

HANDWHEELS

Material

Thermoplastic, black, matt. Zinc plated steel hub. Revolving handle.

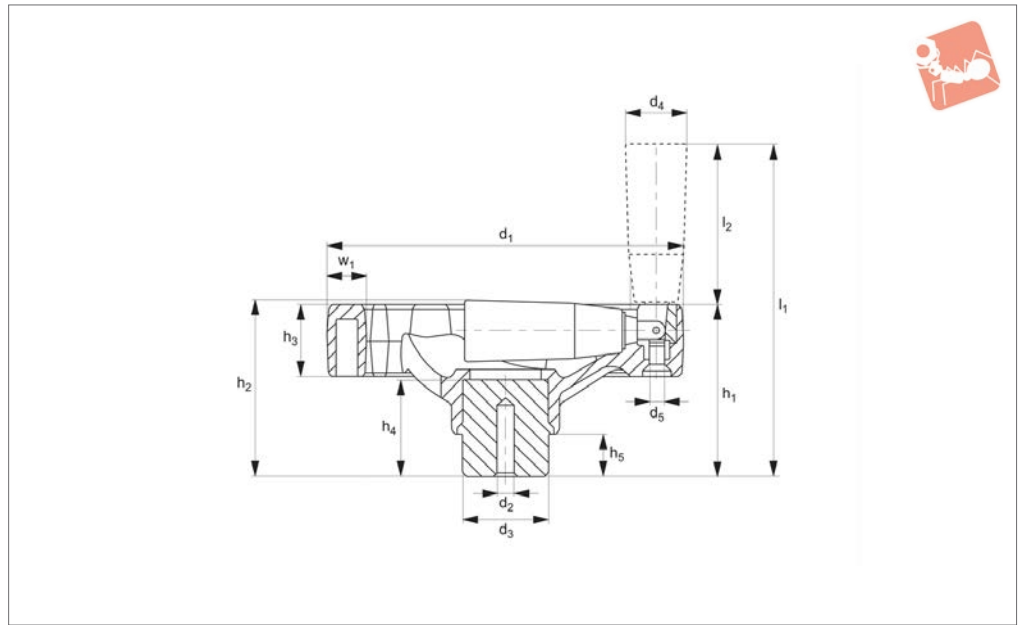
Technical Notes

The pilot hole allows various sizes of holes, keyways etc. to be machined into the hub.

Order No.	d ₁	d ₂	d ₃	l ₁	l ₂	h ₁	h ₂	h ₃	h ₄	d ₄	d ₅	d ₆	w ₁	Weight g
77070.W0100	100	4	24	96	50	46	20	24	12	18	21	M 6	15	192
77070.W0125	125	6	24	101	50	51	24	28	12	20	21	M 6	17	261
77070.W0160	160	6	32	131	70	61	28	31	15	30	23	M 8	20	484
77070.W0200	200	6	40	164	90	74	32	40	15	35	26	M10	24	906



77080



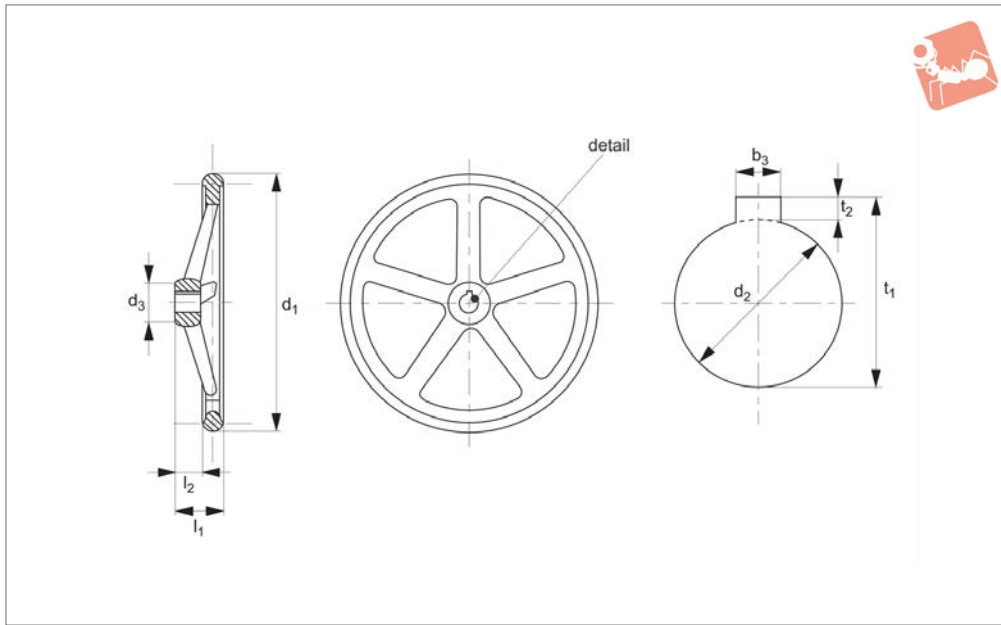
Material

Thermoplastic, black, matt. Zinc plated steel hub. Fold-away revolving handle.

Technical Notes

The pilot hole allows various sizes of holes, keyways etc. to be machined into the hub.

Order No.	d ₁	d ₂	d ₃	l ₁	l ₂	h ₁	h ₂	h ₃	h ₄	h ₅	d ₄	d ₅	w ₁	Weight g
77080.W0100	100	4	24	100	54	46	50	20	24	12	21	M 4	15	205
77080.W0125	125	6	24	105	54	51	54	24	28	12	21	M 4	17	277
77080.W0160	160	6	32	135	74	61	65	28	31	15	23	M 5	20	503
77080.W0200	200	6	40	168	94	74	79	32	40	15	26	M 6	24	935



77100

HANDWHEELS

Material

Handwheel: Grey cast iron GG.
Hub machined; rim turned and mirror-finished on all sides, non-machined

surfaces cleanly blasted.

Technical Notes

Produced to DIN 950.

There are gripping indentations on the rear sides.

For keyways information (dim. t_1 and b_3) to DIN 6885.

Order No.	Type	Bore dia.	d_1	d_2		d_3	$l_1 \approx$	l_2	No. of spokes	Corresp. handle dia.	Weight g
				tol. H7 Small	tol. H7 Large						
77100.W0000	W/o Keyway, W/o Handle	d_2 Small	80	10	12	24	29	16	3		311
77100.W0001	W/o Keyway, W/o Handle	d_2 Large	80	10	12	24	29	16	3		311
77100.W0005	W/o Keyway, W/o Handle	d_2 Small	100	10	12	26	33	17	3		486
77100.W0006	W/o Keyway, W/o Handle	d_2 Large	100	10	12	26	33	17	3		486
77100.W0010	W/o Keyway, W/o Handle	d_2 Small	125	12	14	28	36	18	3		720
77100.W0011	W/o Keyway, W/o Handle	d_2 Large	125	12	14	28	36	18	3		720
77100.W0015	W/o Keyway, W/o Handle	d_2 Small	140	14	16	30	39	19	3		879
77100.W0016	W/o Keyway, W/o Handle	d_2 Large	140	14	16	30	39	19	3		879
77100.W0020	W/o Keyway, W/o Handle	d_2 Small	160	14	16	32	40	20	3		1151
77100.W0021	W/o Keyway, W/o Handle	d_2 Large	160	14	16	32	40	20	3		1151
77100.W0030	W/o Keyway, W/o Handle	d_2 Small	200	18	22	38	45	24	3		2218
77100.W0031	W/o Keyway, W/o Handle	d_2 Large	200	18	22	38	45	24	3		2218
77100.W0040	W/o Keyway, W/o Handle	d_2 Small	250	22	26	45	50	28	5		3735
77100.W0041	W/o Keyway, W/o Handle	d_2 Large	250	22	26	45	50	28	5		3735
77100.W0045	W/o Keyway, W/o Handle	d_2 Small	315	26	30	53	56	33	5		6180
77100.W0046	W/o Keyway, W/o Handle	d_2 Large	315	26	30	53	56	33	5		6180
77100.W0050	W/o Keyway, W/o Handle	d_2 Small	400	30	34	65	63	38	5		9500
77100.W0051	W/o Keyway, W/o Handle	d_2 Large	400	30	34	65	63	38	5		9500
77100.W0100	With Keyway, W/o Handle	d_2 Small	80	10	12	24	29	16	3		360
77100.W0101	With Keyway, W/o Handle	d_2 Large	80	10	12	24	29	16	3		360
77100.W0105	With Keyway, W/o Handle	d_2 Small	100	10	12	26	33	17	3		500
77100.W0106	With Keyway, W/o Handle	d_2 Large	100	10	12	26	33	17	3		500
77100.W0110	With Keyway, W/o Handle	d_2 Small	125	12	14	28	36	18	3		750
77100.W0111	With Keyway, W/o Handle	d_2 Large	125	12	14	28	36	18	3		750
77100.W0115	With Keyway, W/o Handle	d_2 Small	140	14	16	30	39	19	3		902
77100.W0116	With Keyway, W/o Handle	d_2 Large	140	14	16	30	39	19	3		902
77100.W0120	With Keyway, W/o Handle	d_2 Small	160	14	16	32	40	20	3		1139
77100.W0121	With Keyway, W/o Handle	d_2 Large	160	14	16	32	40	20	3		1139
77100.W0130	With Keyway, W/o Handle	d_2 Small	200	18	22	38	45	24	3		2142
77100.W0131	With Keyway, W/o Handle	d_2 Large	200	18	22	38	45	24	3		2142
77100.W0140	With Keyway, W/o Handle	d_2 Small	250	22	26	45	50	28	5		3652
77100.W0141	With Keyway, W/o Handle	d_2 Large	250	22	26	45	50	28	5		3652
77100.W0145	With Keyway, W/o Handle	d_2 Small	315	26	30	53	56	33	5		5800



HANDWHEELS

Order No.	Type	Bore dia.	d ₁	d ₂ tol. H7 Small	d ₂ tol. H7 Large	d ₃	l ₁ ≈	l ₂	No. of spokes	Corresp. handle dia.	Weight g
77100.W0146	With Keyway, W/o Handle	d ₂ Large	315	26	30	53	56	33	5		5800
77100.W0150	With Keyway, W/o Handle	d ₂ Small	400	30	34	65	63	38	5		9500
77100.W0151	With Keyway, W/o Handle	d ₂ Large	400	30	34	65	63	38	5		9500
77100.W0200	W/o Keyway, Rotating Handle	d ₂ Small	80	10	12	24	29	16	3	16	410
77100.W0201	W/o Keyway, Rotating Handle	d ₂ Large	80	10	12	24	29	16	3	16	410
77100.W0205	W/o Keyway, Rotating Handle	d ₂ Small	100	10	12	26	33	17	3	16	550
77100.W0206	W/o Keyway, Rotating Handle	d ₂ Large	100	10	12	26	33	17	3	16	550
77100.W0210	W/o Keyway, Rotating Handle	d ₂ Small	125	12	14	28	36	18	3	20	850
77100.W0211	W/o Keyway, Rotating Handle	d ₂ Large	125	12	14	28	36	18	3	20	850
77100.W0215	W/o Keyway, Rotating Handle	d ₂ Small	140	14	16	30	39	19	3	20	1040
77100.W0216	W/o Keyway, Rotating Handle	d ₂ Large	140	14	16	30	39	19	3	20	1040
77100.W0220	W/o Keyway, Rotating Handle	d ₂ Small	160	14	16	32	40	20	3	25	1390
77100.W0221	W/o Keyway, Rotating Handle	d ₂ Large	160	14	16	32	40	20	3	25	1390
77100.W0230	W/o Keyway, Rotating Handle	d ₂ Small	200	18	22	38	45	24	3	25	2190
77100.W0231	W/o Keyway, Rotating Handle	d ₂ Large	200	18	22	38	45	24	3	25	2190
77100.W0240	W/o Keyway, Rotating Handle	d ₂ Small	250	22	26	45	50	28	5	32	4185
77100.W0241	W/o Keyway, Rotating Handle	d ₂ Large	250	22	26	45	50	28	5	32	4185
77100.W0245	W/o Keyway, Rotating Handle	d ₂ Small	315	26	30	53	56	33	5	32	6185
77100.W0246	W/o Keyway, Rotating Handle	d ₂ Large	315	26	30	53	56	33	5	32	6185
77100.W0250	W/o Keyway, Rotating Handle	d ₂ Small	400	30	34	65	63	38	5	36	10500
77100.W0251	W/o Keyway, Rotating Handle	d ₂ Large	400	30	34	65	63	38	5	36	10500
77100.W0300	With Keyway, Rotating Handle	d ₂ Small	80	10	12	24	29	16	3	16	410
77100.W0301	With Keyway, Rotating Handle	d ₂ Large	80	10	12	24	29	16	3	16	410
77100.W0305	With Keyway, Rotating Handle	d ₂ Small	100	10	12	26	33	17	3	16	550
77100.W0306	With Keyway, Rotating Handle	d ₂ Large	100	10	12	26	33	17	3	16	550
77100.W0310	With Keyway, Rotating Handle	d ₂ Small	125	12	14	28	36	18	3	20	850
77100.W0311	With Keyway, Rotating Handle	d ₂ Large	125	12	14	28	36	18	3	20	850
77100.W0315	With Keyway, Rotating Handle	d ₂ Small	140	14	16	30	39	19	3	20	1040
77100.W0316	With Keyway, Rotating Handle	d ₂ Large	140	14	16	30	39	19	3	20	1040
77100.W0320	With Keyway, Rotating Handle	d ₂ Small	160	14	16	32	40	20	3	25	1390
77100.W0321	With Keyway, Rotating Handle	d ₂ Large	160	14	16	32	40	20	3	25	1390
77100.W0330	With Keyway, Rotating Handle	d ₂ Small	200	18	22	38	45	24	3	25	2190
77100.W0331	With Keyway, Rotating Handle	d ₂ Large	200	18	22	38	45	24	3	25	2190
77100.W0340	With Keyway, Rotating Handle	d ₂ Small	250	22	26	45	50	28	5	32	4185
77100.W0341	With Keyway, Rotating Handle	d ₂ Large	250	22	26	45	50	28	5	32	4185
77100.W0345	With Keyway, Rotating Handle	d ₂ Small	315	26	30	53	56	33	5	32	6185
77100.W0346	With Keyway, Rotating Handle	d ₂ Large	315	26	30	53	56	33	5	32	6185
77100.W0350	With Keyway, Rotating Handle	d ₂ Small	400	30	34	65	63	38	5	36	10500
77100.W0351	With Keyway, Rotating Handle	d ₂ Large	400	30	34	65	63	38	5	36	10500
77100.W0400	W/o Keyway, Fixed Handle	d ₂ Small	80	10	12	24	29	16	3	16	410
77100.W0401	W/o Keyway, Fixed Handle	d ₂ Large	80	10	12	24	29	16	3	16	410
77100.W0410	W/o Keyway, Fixed Handle	d ₂ Small	125	10	12	28	36	18	3	20	835
77100.W0411	W/o Keyway, Fixed Handle	d ₂ Large	125	10	12	28	36	18	3	20	835
77100.W0415	W/o Keyway, Fixed Handle	d ₂ Small	140	12	14	30	39	19	3	20	1025
77100.W0416	W/o Keyway, Fixed Handle	d ₂ Large	140	12	14	30	39	19	3	20	1025
77100.W0420	W/o Keyway, Fixed Handle	d ₂ Small	160	14	16	32	40	20	3	25	1380
77100.W0421	W/o Keyway, Fixed Handle	d ₂ Large	160	14	16	32	40	20	3	25	1380
77100.W0430	W/o Keyway, Fixed Handle	d ₂ Small	200	14	16	38	45	24	3	25	2180
77100.W0431	W/o Keyway, Fixed Handle	d ₂ Large	200	14	16	38	45	24	3	25	2180
77100.W0440	W/o Keyway, Fixed Handle	d ₂ Small	250	18	22	45	50	28	5	32	4160
77100.W0441	W/o Keyway, Fixed Handle	d ₂ Large	250	18	22	45	50	28	5	32	4160
77100.W0445	W/o Keyway, Fixed Handle	d ₂ Small	315	22	26	53	56	33	5	32	6160
77100.W0446	W/o Keyway, Fixed Handle	d ₂ Large	315	22	26	53	56	33	5	32	6160
77100.W0450	W/o Keyway, Fixed Handle	d ₂ Small	400	26	30	65	63	38	5	36	10460
77100.W0451	W/o Keyway, Fixed Handle	d ₂ Large	400	26	30	65	63	38	5	36	10460
77100.W0500	With Keyway, Fixed Handle	d ₂ Small	80	30	34	24	29	16	3	16	410
77100.W0501	With Keyway, Fixed Handle	d ₂ Large	80	30	34	24	29	16	3	16	410
77100.W0505	With Keyway, Fixed Handle	d ₂ Small	100	10	12	26	33	17	3	16	550
77100.W0506	With Keyway, Fixed Handle	d ₂ Large	100	10	12	26	33	17	3	16	550
77100.W0510	With Keyway, Fixed Handle	d ₂ Small	125	10	12	28	36	18	3	20	835
77100.W0511	With Keyway, Fixed Handle	d ₂ Large	125	10	12	28	36	18	3	20	835
77100.W0515	With Keyway, Fixed Handle	d ₂ Small	140	12	14	30	39	19	3	20	1025
77100.W0516	With Keyway, Fixed Handle	d ₂ Large	140	12	14	30	39	19	3	20	1025
77100.W0520	With Keyway, Fixed Handle	d ₂ Small	160	14	16	32	40	20	3	25	1380
77100.W0521	With Keyway, Fixed Handle	d ₂ Large	160	14	16	32	40	20	3	25	1380
77100.W0530	With Keyway, Fixed Handle	d ₂ Small	200	18	22	38	45	24	3	25	2180
77100.W0531	With Keyway, Fixed Handle	d ₂ Large	200	18	22	38	45	24	3	25	2180



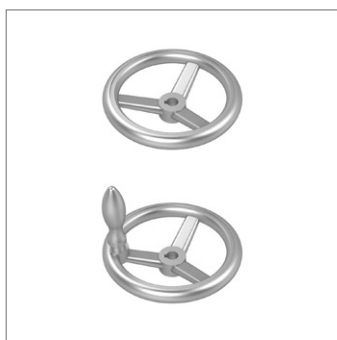
Cast Iron Handwheels



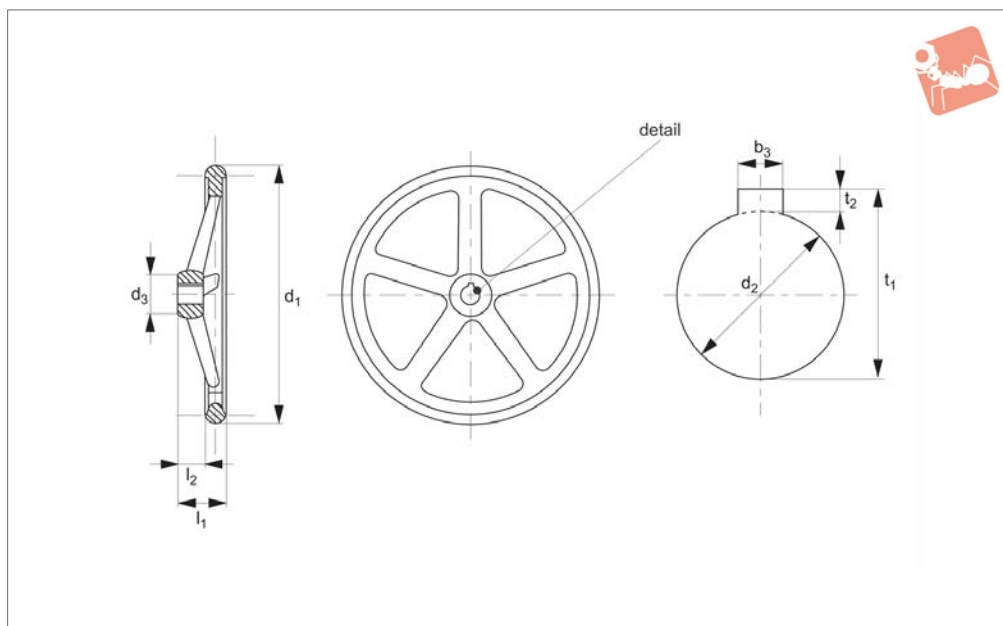
Handwheels

Order No.	Type	Bore dia.	d ₁	d ₂ tol. H7 Small	d ₂ tol. H7 Large	d ₃	l ₁ ≈	l ₂	No. of spokes	Corresp. handle dia.	Weight g
77100.W0540	With Keyway, Fixed Handle	d ₂ Small	250	22	26	45	50	28	5	32	4160
77100.W0541	With Keyway, Fixed Handle	d ₂ Large	250	22	26	45	50	28	5	32	4160
77100.W0545	With Keyway, Fixed Handle	d ₂ Small	315	26	30	53	56	33	5	32	6160
77100.W0546	With Keyway, Fixed Handle	d ₂ Large	315	26	30	53	56	33	5	32	6160
77100.W0550	With Keyway, Fixed Handle	d ₂ Small	400	30	34	65	63	38	5	36	10460
77100.W0551	With Keyway, Fixed Handle	d ₂ Large	400	30	34	65	63	38	5	36	10460

HANDWHEELS



77120



Material

Aluminium, deburred. Hub machined, rim polished. For corresponding handle details

see no. 75060.

Technical Notes

Produced to DIN 950.

For keyways information (dim. t_1 and b_3) to DIN 6885.

Order No.	Type	Bore dia.	d_1	d_2 tol. H7 Small	d_2 tol. H7 Large	d_3	l_1 ~	l_2	No. of spokes	Corresp. handle dia.	Weight g
77120.W0000	W/o Keyway, W/o Handle	d_2 Small	80	10	12	24	29	16	3		92
77120.W0001	W/o Keyway, W/o Handle	d_2 Large	80	10	12	24	29	16	3		92
77120.W0005	W/o Keyway, W/o Handle	d_2 Small	100	10	12	26	33	17	3		160
77120.W0006	W/o Keyway, W/o Handle	d_2 Large	100	10	12	26	33	17	3		160
77120.W0010	W/o Keyway, W/o Handle	d_2 Small	125	12	14	28	36	18	3		237
77120.W0011	W/o Keyway, W/o Handle	d_2 Large	125	12	14	28	36	18	3		237
77120.W0015	W/o Keyway, W/o Handle	d_2 Small	140	14	16	30	39	19	3		295
77120.W0016	W/o Keyway, W/o Handle	d_2 Large	140	14	16	30	39	19	3		295
77120.W0020	W/o Keyway, W/o Handle	d_2 Small	160	14	16	32	40	20	3		435
77120.W0021	W/o Keyway, W/o Handle	d_2 Large	160	14	16	32	40	20	3		435
77120.W0030	W/o Keyway, W/o Handle	d_2 Small	200	18	22	38	45	24	3		783
77120.W0031	W/o Keyway, W/o Handle	d_2 Large	200	18	22	38	45	24	3		783
77120.W0040	W/o Keyway, W/o Handle	d_2 Small	250	22	26	45	50	28	5		1509
77120.W0041	W/o Keyway, W/o Handle	d_2 Large	250	22	26	45	50	28	5		1509
77120.W0045	W/o Keyway, W/o Handle	d_2 Small	315	26	30	53	56	33	5		2440
77120.W0046	W/o Keyway, W/o Handle	d_2 Large	315	26	30	53	56	33	5		2440
77120.W0050	W/o Keyway, W/o Handle	d_2 Small	400	30	34	65	63	38	5		3740
77120.W0051	W/o Keyway, W/o Handle	d_2 Large	400	30	34	65	63	38	5		3740
77120.W0100	With Keyway, W/o Handle	d_2 Small	80	10	12	24	29	16	3		99
77120.W0101	With Keyway, W/o Handle	d_2 Large	80	10	12	24	29	16	3		99
77120.W0105	With Keyway, W/o Handle	d_2 Small	100	10	12	26	33	17	3		171
77120.W0106	With Keyway, W/o Handle	d_2 Large	100	10	12	26	33	17	3		171
77120.W0110	With Keyway, W/o Handle	d_2 Small	125	12	14	28	36	18	3		232
77120.W0111	With Keyway, W/o Handle	d_2 Large	125	12	14	28	36	18	3		232
77120.W0115	With Keyway, W/o Handle	d_2 Small	140	14	16	30	39	19	3		309
77120.W0116	With Keyway, W/o Handle	d_2 Large	140	14	16	30	39	19	3		309
77120.W0120	With Keyway, W/o Handle	d_2 Small	160	14	16	32	40	20	3		422
77120.W0121	With Keyway, W/o Handle	d_2 Large	160	14	16	32	40	20	3		422
77120.W0130	With Keyway, W/o Handle	d_2 Small	200	18	22	38	45	24	3		779
77120.W0131	With Keyway, W/o Handle	d_2 Large	200	18	22	38	45	24	3		779
77120.W0140	With Keyway, W/o Handle	d_2 Small	250	22	26	45	50	28	5		1511
77120.W0141	With Keyway, W/o Handle	d_2 Large	250	22	26	45	50	28	5		1511
77120.W0145	With Keyway, W/o Handle	d_2 Small	315	26	30	53	56	33	5		2500
77120.W0146	With Keyway, W/o Handle	d_2 Large	315	26	30	53	56	33	5		2500



Aluminium Handwheels



Handwheels

Order No.	Type	Bore dia.	d ₁	d ₂ tol. H7 Small	d ₂ tol. H7 Large	d ₃	l ₁ ≈	l ₂	No. of spokes	Corresp. handle dia.	Weight g
77120.W0150	With Keyway, W/o Handle	d ₂ Small	400	30	34	65	63	38	5		3600
77120.W0151	With Keyway, W/o Handle	d ₂ Large	400	30	34	65	63	38	5		3600
77120.W0200	W/o Keyway, Rotating Handle	d ₂ Small	80	10	12	24	29	16	3	16	150
77120.W0201	W/o Keyway, Rotating Handle	d ₂ Large	80	10	12	24	29	16	3	16	150
77120.W0205	W/o Keyway, Rotating Handle	d ₂ Small	100	10	12	26	33	17	3	16	210
77120.W0206	W/o Keyway, Rotating Handle	d ₂ Large	100	10	12	26	33	17	3	16	210
77120.W0210	W/o Keyway, Rotating Handle	d ₂ Small	125	12	14	28	36	18	3	20	340
77120.W0211	W/o Keyway, Rotating Handle	d ₂ Large	125	12	14	28	36	18	3	20	340
77120.W0215	W/o Keyway, Rotating Handle	d ₂ Small	140	14	16	30	39	19	3	20	430
77120.W0216	W/o Keyway, Rotating Handle	d ₂ Large	140	14	16	30	39	19	3	20	430
77120.W0220	W/o Keyway, Rotating Handle	d ₂ Small	160	14	16	32	40	20	3	25	615
77120.W0221	W/o Keyway, Rotating Handle	d ₂ Large	160	14	16	32	40	20	3	25	615
77120.W0230	W/o Keyway, Rotating Handle	d ₂ Small	200	18	22	38	45	24	3	25	970
77120.W0231	W/o Keyway, Rotating Handle	d ₂ Large	200	18	22	38	45	24	3	25	970
77120.W0240	W/o Keyway, Rotating Handle	d ₂ Small	250	22	26	45	50	28	5	32	1885
77120.W0241	W/o Keyway, Rotating Handle	d ₂ Large	250	22	26	45	50	28	5	32	1885
77120.W0245	W/o Keyway, Rotating Handle	d ₂ Small	315	26	30	53	56	33	5	32	2885
77120.W0246	W/o Keyway, Rotating Handle	d ₂ Large	315	26	30	53	56	33	5	32	2885
77120.W0250	W/o Keyway, Rotating Handle	d ₂ Small	400	30	34	65	63	38	5	36	4250
77120.W0251	W/o Keyway, Rotating Handle	d ₂ Large	400	30	34	65	63	38	5	36	4250
77120.W0300	With Keyway, Rotating Handle	d ₂ Small	80	10	12	24	29	16	3	16	150
77120.W0301	With Keyway, Rotating Handle	d ₂ Large	80	10	12	24	29	16	3	16	150
77120.W0305	With Keyway, Rotating Handle	d ₂ Small	100	10	12	26	33	17	3	16	210
77120.W0306	With Keyway, Rotating Handle	d ₂ Large	100	10	12	26	33	17	3	16	210
77120.W0310	With Keyway, Rotating Handle	d ₂ Small	125	12	14	28	36	18	3	20	340
77120.W0311	With Keyway, Rotating Handle	d ₂ Large	125	12	14	28	36	18	3	20	340
77120.W0315	With Keyway, Rotating Handle	d ₂ Small	140	14	16	30	39	19	3	20	430
77120.W0316	With Keyway, Rotating Handle	d ₂ Large	140	14	16	30	39	19	3	20	430
77120.W0320	With Keyway, Rotating Handle	d ₂ Small	160	14	16	32	40	20	3	25	615
77120.W0321	With Keyway, Rotating Handle	d ₂ Large	160	14	16	32	40	20	3	25	615
77120.W0330	With Keyway, Rotating Handle	d ₂ Small	200	18	22	38	45	24	3	25	970
77120.W0331	With Keyway, Rotating Handle	d ₂ Large	200	18	22	38	45	24	3	25	970
77120.W0340	With Keyway, Rotating Handle	d ₂ Small	250	22	26	45	50	28	5	32	1885
77120.W0341	With Keyway, Rotating Handle	d ₂ Large	250	22	26	45	50	28	5	32	1885
77120.W0345	With Keyway, Rotating Handle	d ₂ Small	315	26	30	53	56	33	5	32	2885
77120.W0346	With Keyway, Rotating Handle	d ₂ Large	315	26	30	53	56	33	5	32	2885
77120.W0350	With Keyway, Rotating Handle	d ₂ Small	400	30	34	65	63	38	5	36	4250
77120.W0351	With Keyway, Rotating Handle	d ₂ Large	400	30	34	65	63	38	5	36	4250
77120.W0400	W/o Keyway, Fixed Handle	d ₂ Small	80	10	12	24	29	16	3	16	150
77120.W0401	W/o Keyway, Fixed Handle	d ₂ Large	80	10	12	24	29	16	3	16	150
77120.W0405	W/o Keyway, Fixed Handle	d ₂ Small	100	10	12	26	33	17	3	16	210
77120.W0406	W/o Keyway, Fixed Handle	d ₂ Large	100	10	12	26	33	17	3	16	210
77120.W0410	W/o Keyway, Fixed Handle	d ₂ Small	125	12	14	28	36	18	3	20	340
77120.W0411	W/o Keyway, Fixed Handle	d ₂ Large	125	12	14	28	36	18	3	20	340
77120.W0415	W/o Keyway, Fixed Handle	d ₂ Small	140	14	16	30	39	19	3	20	420
77120.W0416	W/o Keyway, Fixed Handle	d ₂ Large	140	14	16	30	39	19	3	20	420
77120.W0420	W/o Keyway, Fixed Handle	d ₂ Small	160	14	16	32	40	20	3	25	615
77120.W0421	W/o Keyway, Fixed Handle	d ₂ Large	160	14	16	32	40	20	3	25	615
77120.W0430	W/o Keyway, Fixed Handle	d ₂ Small	200	18	22	38	45	24	3	25	970
77120.W0431	W/o Keyway, Fixed Handle	d ₂ Large	200	18	22	38	45	24	3	25	970
77120.W0440	W/o Keyway, Fixed Handle	d ₂ Small	250	22	26	45	50	28	5	32	1860
77120.W0441	W/o Keyway, Fixed Handle	d ₂ Large	250	22	26	45	50	28	5	32	1860
77120.W0445	W/o Keyway, Fixed Handle	d ₂ Small	315	26	30	53	56	33	5	32	2860
77120.W0446	W/o Keyway, Fixed Handle	d ₂ Large	315	26	30	53	56	33	5	32	2860
77120.W0450	W/o Keyway, Fixed Handle	d ₂ Small	400	30	34	65	63	38	5	36	4210
77120.W0451	W/o Keyway, Fixed Handle	d ₂ Large	400	30	34	65	63	38	5	36	4210
77120.W0500	With Keyway, Fixed Handle	d ₂ Small	80	10	12	24	29	16	3	16	150
77120.W0501	With Keyway, Fixed Handle	d ₂ Large	80	10	12	24	29	16	3	16	150
77120.W0505	With Keyway, Fixed Handle	d ₂ Small	100	10	12	26	33	17	3	16	210
77120.W0506	With Keyway, Fixed Handle	d ₂ Large	100	10	12	26	33	17	3	16	210
77120.W0510	With Keyway, Fixed Handle	d ₂ Small	125	12	14	28	36	18	3	20	330
77120.W0511	With Keyway, Fixed Handle	d ₂ Large	125	12	14	28	36	18	3	20	330
77120.W0515	With Keyway, Fixed Handle	d ₂ Small	140	14	16	30	39	19	3	20	420
77120.W0516	With Keyway, Fixed Handle	d ₂ Large	140	14	16	30	39	19	3	20	420
77120.W0520	With Keyway, Fixed Handle	d ₂ Small	160	14	16	32	40	20	3	25	610
77120.W0521	With Keyway, Fixed Handle	d ₂ Large	160	14	16	32	40	20	3	25	610
77120.W0530	With Keyway, Fixed Handle	d ₂ Small	200	18	22	38	45	24	3	25	960

HANDWHEELS

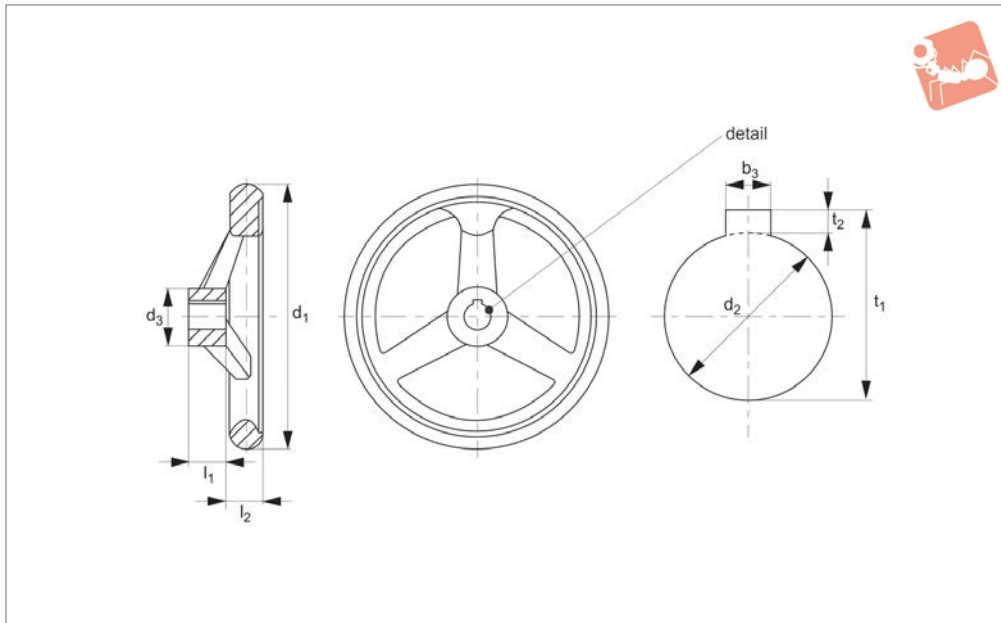


Order No.	Type	Bore dia.	d ₁	d ₂ tol. H7 Small	d ₂ tol. H7 Large	d ₃	l ₁ ≈	l ₂	No. of spokes	Corresp. handle dia.	Weight g
77120.W0531	With Keyway, Fixed Handle	d ₂ Large	200	18	22	38	45	24	3	25	960
77120.W0540	With Keyway, Fixed Handle	d ₂ Small	250	22	26	45	50	28	5	32	1860
77120.W0541	With Keyway, Fixed Handle	d ₂ Large	250	22	26	45	50	28	5	32	1860
77120.W0545	With Keyway, Fixed Handle	d ₂ Small	315	26	30	53	56	33	5	32	2860
77120.W0546	With Keyway, Fixed Handle	d ₂ Large	315	26	30	53	56	33	5	32	2860
77120.W0550	With Keyway, Fixed Handle	d ₂ Small	400	30	34	65	65	38	5	36	4210
77120.W0551	With Keyway, Fixed Handle	d ₂ Large	400	30	34	65	65	38	5	36	4210



Stainless Steel Handwheels

DIN 950



77140

HANDWHEELS

Material

Stainless steel, deburred.
Hub machined; rim turned and mirror-finished on all sides, non-machined

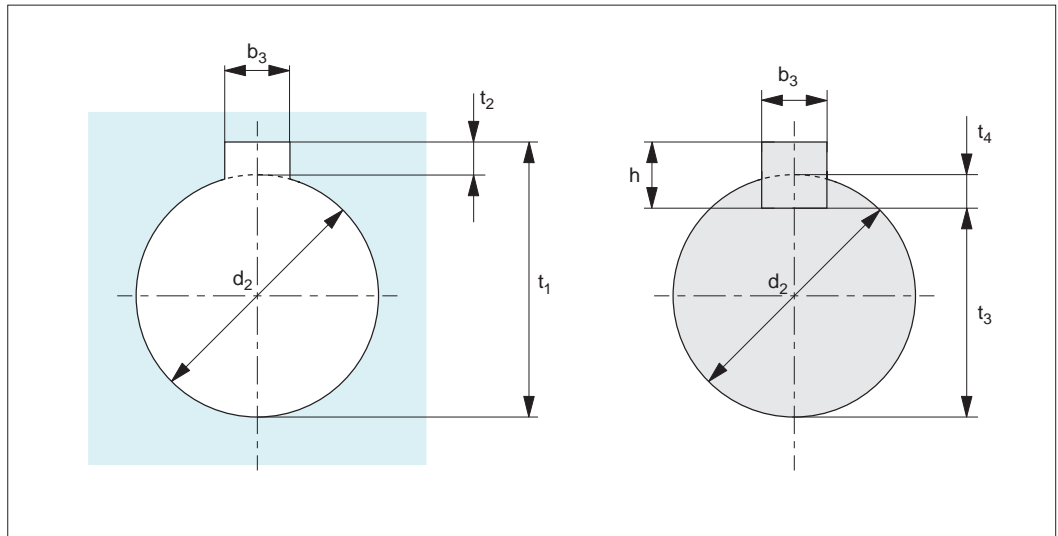
surfaces cleanly blasted.

to DIN 6885.

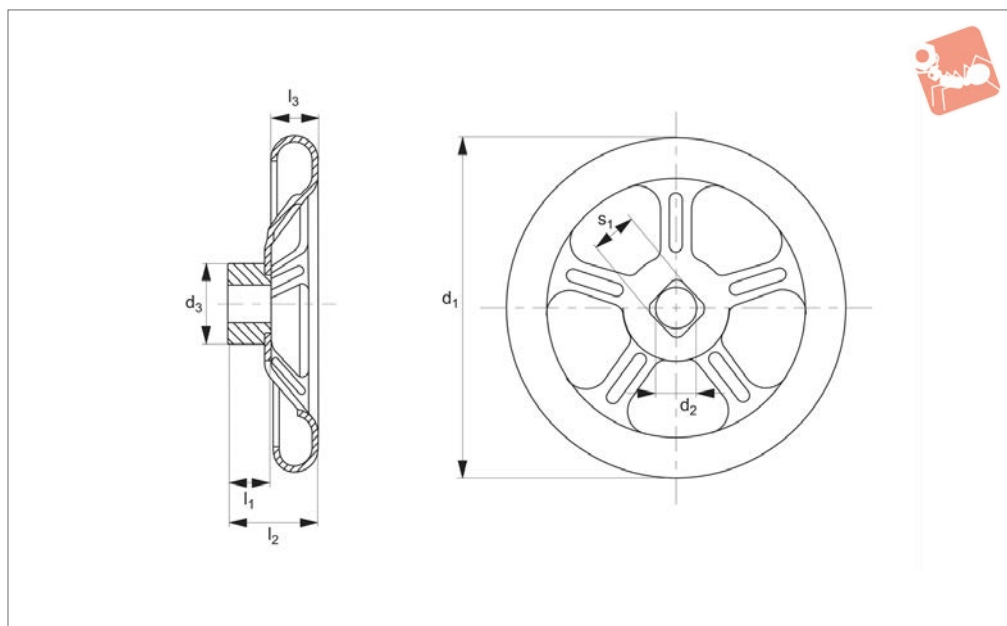
Technical Notes

For keyways information (dim. t_1 and b_3)

Order No.	Finish	d_1	d_2 tol. h9	d_3	l_1	l_2	No. of spokes	Machine handles dia.	Weight g
77140.W0005	W/o Keyway, W/o Handle	100	10	25.5	17	14.5	3	-	431
77140.W0010	W/o Keyway, W/o Handle	125	12	27.0	18	15.8	3	-	655
77140.W0015	W/o Keyway, W/o Handle	140	14	29.0	19	17.0	3	-	851
77140.W0020	W/o Keyway, W/o Handle	160	14	27.0	18	17.5	3	-	1112
77140.W0030	W/o Keyway, W/o Handle	200	18	37.0	24	20.0	3	-	1877
77140.W0105	With Keyway, W/o Handle	100	10	25.5	17	14.5	3	-	434
77140.W0110	With Keyway, W/o Handle	125	12	27.0	18	15.8	3	-	854
77140.W0115	With Keyway, W/o Handle	140	14	29.0	19	17.0	3	-	854
77140.W0120	With Keyway, W/o Handle	160	14	31.0	20	17.5	3	-	1115
77140.W0130	With Keyway, W/o Handle	200	18	37.0	24	20.0	3	-	1882
77140.W0405	W/o Keyway, With Handle	100	10	25.5	17	14.5	3	16	472
77140.W0410	W/o Keyway, With Handle	125	12	27.0	18	15.8	3	20	748
77140.W0415	W/o Keyway, With Handle	140	14	29.0	19	17.0	3	20	939
77140.W0420	W/o Keyway, With Handle	160	14	31.0	20	17.5	3	25	1273
77140.W0430	W/o Keyway, With Handle	200	18	37.0	24	20.0	3	25	2044
77140.W0505	With Keyway, With Handle	100	10	25.5	17	14.5	3	16	473
77140.W0510	With Keyway, With Handle	125	12	27.0	18	15.8	3	20	753
77140.W0515	With Keyway, With Handle	140	14	29.0	19	17.0	3	20	939
77140.W0520	With Keyway, With Handle	160	14	31.0	20	17.5	3	25	1282
77140.W0530	With Keyway, With Handle	200	18	37.0	24	20.0	3	25	2049



d_2	$b_{P9/JS9}$ hole	$b_{P9/N9}$ shaft	h	$t_1 = d_2 + t_2$	t_2	$t_3 = d_2 - t_4$	t_4
7	2	2	2	8	1+0,1	5,8	1,2+0,1
8	2	2	2	9	1	6,8	1,2
9	3	3	3	10,4	1,4	7,2	1,8
10	3	3	3	11,4	1,4	8,2	1,8
11	4	4	4	12,8	1,8	8,5	2,5
12	4	4	4	13,8	1,8	9,5	2,5
13	5	5	5	15,3	2,3	10	3
14	5	5	5	16,3	2,3	11	3
15	5	5	5	17,3	2,3	12	3
16	5	5	5	18,3	2,3	13	3
17	5	5	5	19,3	2,3	14	3
18	6	6	6	20,8	2,8	14,5	3,5
20	6	6	6	22,8	2,8	16,5	3,5
22	6	6	6	24,8	2,8	18,5	3,5
24	8	8	7	27,3	3,3+0,2	20	4+0,2
25	8	8	7	28,3	3,3	21	4
26	8	8	7	29,3	3,3	22	4
28	8	8	7	31,3	3,3	24	4
30	8	8	7	33,3	3,3	26	4
32	10	10	8	35,3	3,3	27	5
34	10	10	8	37,3	3,3	29	5
35	10	10	8	38,3	3,3	30	5
36	10	10	8	39,3	3,3	31	5
38	10	10	8	41,3	3,3	33	5
40	12	12	8	43,3	3,3	35	5
42	12	12	8	45,3	3,3	37	5
44	12	12	8	47,3	3,3	39	5



77420

HANDWHEELS

Material

Pressed steel, plastic coated.
Black - RAL9005.

Technical Notes

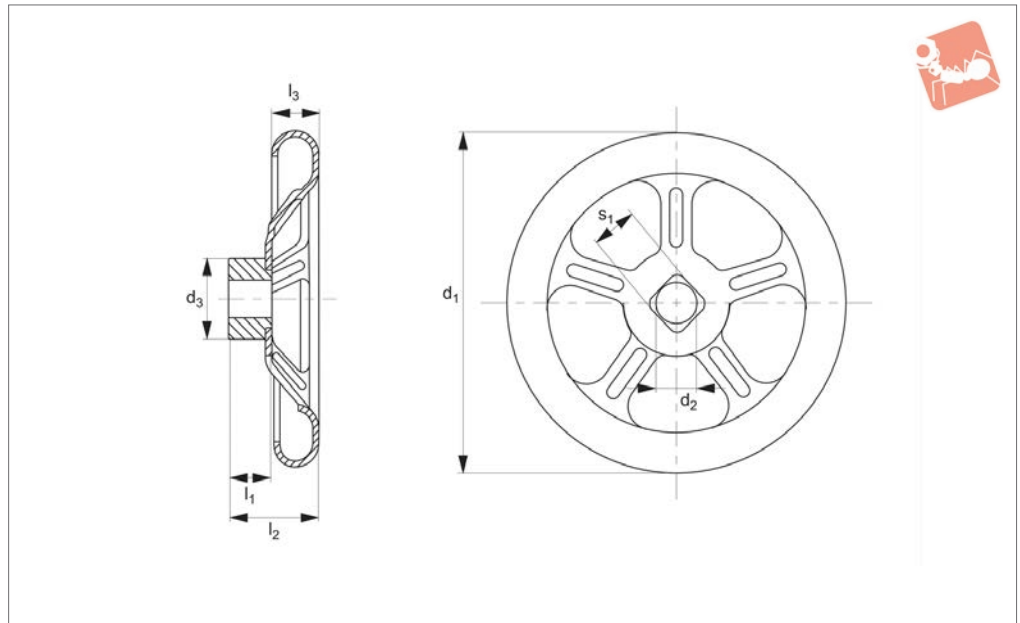
This plastic coated handwheel is resistant to shock and impacts, is well designed and

cost effective.

Order No.	Bore dia.	d ₁	d ₂ round tol. H9	d ₃	l ₁	l ₂ ≈	l ₃	No. of spokes	s ₁ square tol. H11	Weight g
77420.W0010	Round	125	B11	30	18	29	18	3	V11	300
77420.W0012	Round	160	B12	30	20	37	22	4	V12	400
77420.W0014	Round	200	B14	40	24	46	22	4	V14	800
77420.W0017	Round	250	B17	45	28	52	30	5	V17	1400
77420.W0019	Round	315	B19	55	33	64	35	5	V19	2300
77420.W0021	Round	400	B24	65	38	82	40	5	V24	9140
77420.W0110	Square	125	B11	30	18	29	18	3	V11	300
77420.W0112	Square	160	B12	30	20	37	22	4	V12	400
77420.W0114	Square	200	B14	40	24	46	22	4	V14	800
77420.W0117	Square	250	B17	45	28	52	30	5	V17	1400
77420.W0119	Square	315	B19	55	33	64	35	5	V19	2300
77420.W0121	Square	400	B24	65	38	82	40	5	V24	9140



77430



Material

Stainless steel 1.4301 (AISI 303), pressed.
Hub welded. Matte shot-blasted.

Order No.	Bore dia.	d_1	d_2 round tol. H9	d_3	l_1	l_2 ≈	l_3	No. of spokes	s_1 square tol. H11	Weight g
77430.W0012	Round	160	B12	30	20	39	22	4	V12	430
77430.W0014	Round	200	B14	40	24	44	22	4	V14	824
77430.W0017	Round	250	B17	45	28	52	30	5	V17	1477
77430.W0112	Square	160	B12	30	20	39	22	4	V12	430
77430.W0114	Square	200	B14	40	24	44	22	4	V14	824
77430.W0117	Square	250	B17	45	28	52	30	5	V17	1477