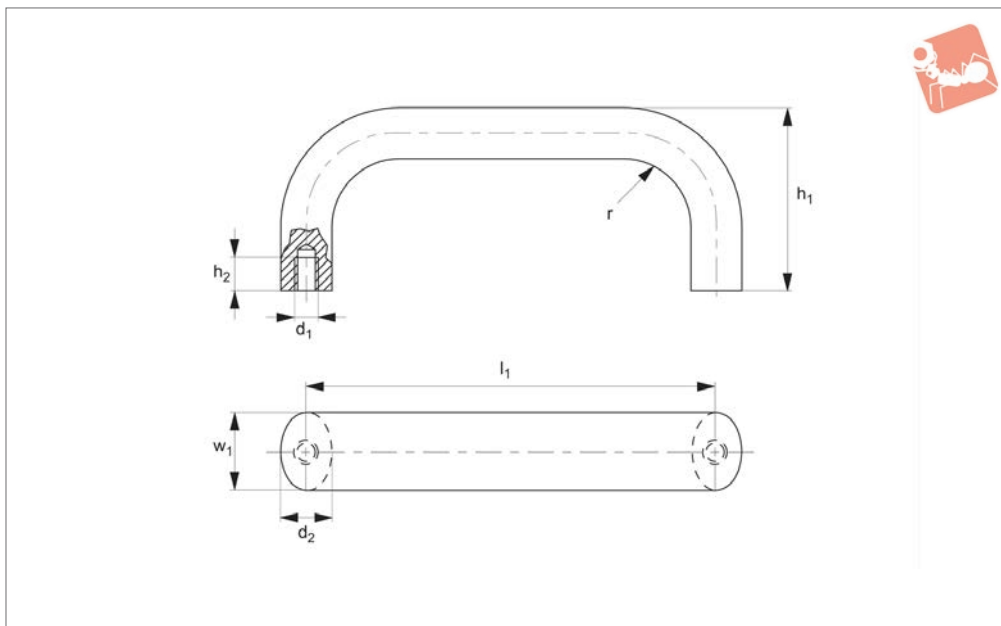




Cabinet Handles

aluminium, rear mounting



78000

PULL HANDLES

Material

Aluminium: plastic coated, black RAL9005
Natural silver anodised, bright.

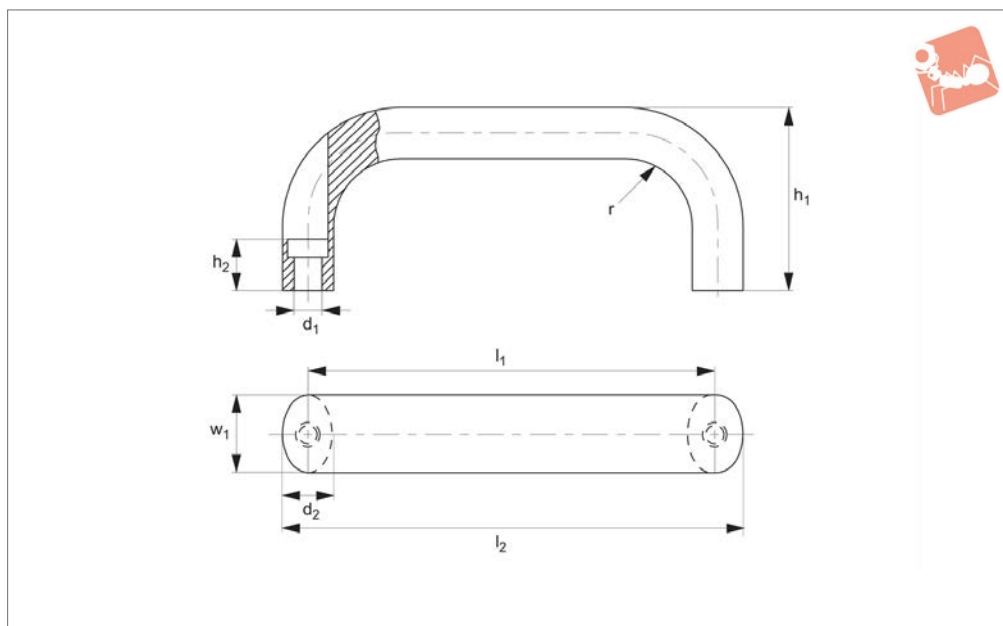
Technical Notes

Ergonomic design offering high stability and smooth surfaces.

Order No.	Colour	l_1	w_1	h_1	d_1	d_2	h_2	R	Weight g
78000.W0010	Black	100	20	47	M 6	13	10	13	92
78000.W0011	Black	112	20	49	M 6	13	10	13	97
78000.W0012	Black	128	20	51	M 6	13	10	13	110
78000.W0013	Black	117	20	49	M 6	13	10	13	100
78000.W0014	Black	120	20	49	M 6	13	10	13	97
78000.W0016	Black	160	20	51	M 6	13	10	13	126
78000.W0111	Black	112	26	53	M 8	17	12	17	165
78000.W0112	Black	128	26	55	M 8	17	12	17	181
78000.W0113	Black	117	26	55	M 8	17	12	17	166
78000.W0114	Black	120	26	55	M 8	17	12	17	200
78000.W0115	Black	125	26	55	M 8	17	12	17	180
78000.W0116	Black	160	26	57	M 8	17	12	17	219
78000.W0117	Black	179	26	57	M 8	17	12	17	234
78000.W0119	Black	192	26	57	M 8	17	12	17	250
78000.W0130	Black	300	26	57	M 8	17	12	17	347
78000.W0140	Black	400	26	57	M 8	17	12	17	445
78000.W0150	Black	500	26	57	M 8	17	12	17	538
78000.W0210	Natural	100	20	47	M 6	13	10	13	92
78000.W0211	Natural	112	20	49	M 6	13	10	13	97
78000.W0212	Natural	128	20	51	M 6	13	10	13	110
78000.W0213	Natural	117	20	49	M 6	13	10	13	100
78000.W0214	Natural	120	20	49	M 6	13	10	13	97
78000.W0216	Natural	160	20	51	M 6	13	10	13	126
78000.W0311	Natural	112	26	53	M 8	17	12	17	165
78000.W0312	Natural	128	26	55	M 8	17	12	17	181
78000.W0313	Natural	117	26	55	M 8	17	12	17	166
78000.W0314	Natural	120	26	55	M 8	17	12	17	200
78000.W0315	Natural	125	26	55	M 8	17	12	17	180
78000.W0316	Natural	160	26	57	M 8	17	12	17	219
78000.W0317	Natural	179	26	57	M 8	17	12	17	234
78000.W0319	Natural	192	26	57	M 8	17	12	17	250
78000.W0330	Natural	300	26	57	M 8	17	12	17	347
78000.W0340	Natural	400	26	57	M 8	17	12	17	445
78000.W0350	Natural	500	26	57	M 8	17	12	17	538



78010



Material

Aluminium: plastic coated, black RAL 9005
Natural silver, bright.

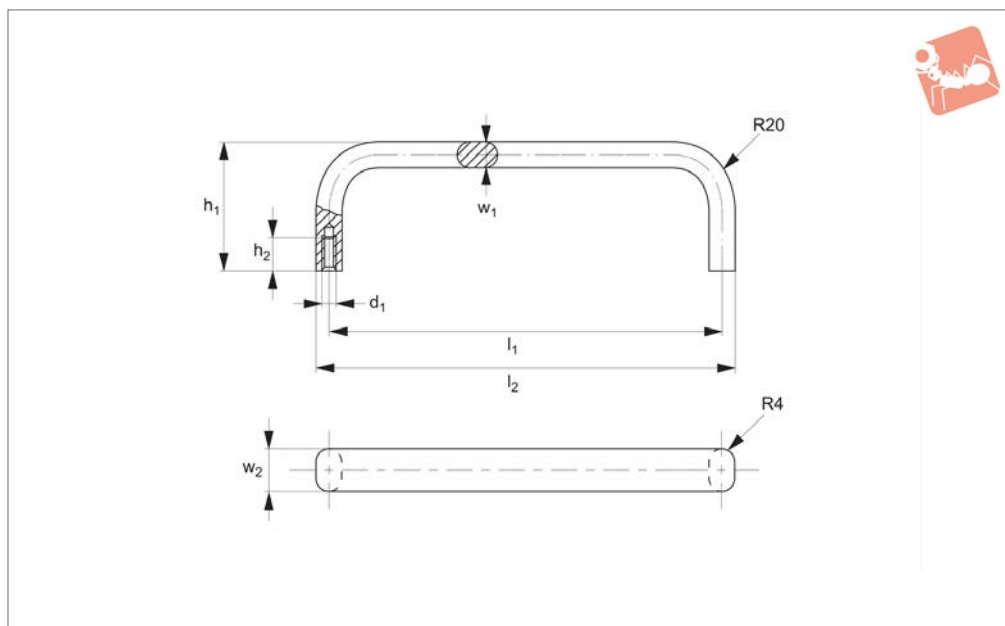
Technical Notes

Ergonomic design offering high stability and smooth surfaces.

Order No.	Colour	l_1	w_1	h_1	d_1	d_2	l_2	h_2	For cylinder screw	r	Weight g
78010.W0100	Black	100	20	49	5.4	13	112	19	M 5	13	80
78010.W0103	Black	112	20	49	5.4	13	124	19	M 5	13	82
78010.W0106	Black	128	20	51	5.4	13	140	19	M 5	13	100
78010.W0109	Black	160	20	51	5.4	13	172	19	M 5	13	100
78010.W0111	Black	116	26	55	6.4	17	130	17	M 6	17	146
78010.W0113	Black	132	26	55	6.4	17	146	17	M 6	17	164
78010.W0116	Black	164	26	57	6.4	17	178	17	M 6	17	206
78010.W0119	Black	196	26	57	6.4	17	210	17	M 6	17	232
78010.W0300	Natural	100	20	49	5.4	13	112	19	M 5	13	80
78010.W0303	Natural	112	20	49	5.4	13	124	19	M 5	13	82
78010.W0306	Natural	128	20	51	5.4	13	140	19	M 5	13	100
78010.W0309	Natural	160	20	51	5.4	13	172	19	M 5	13	100
78010.W0311	Natural	116	26	55	6.4	17	130	17	M 6	17	146
78010.W0313	Natural	132	26	55	6.4	17	146	17	M 6	17	164
78010.W0316	Natural	164	26	57	6.4	17	178	17	M 6	17	206
78010.W0319	Natural	196	26	57	6.4	17	210	17	M 6	17	232
78010.W0511	Stainless	160	20	49	5.4	13	124	19	M5	13	258
78010.W0521	Stainless	128	20	49	5.4	13	140	19	M5	13	293
78010.W0531	Stainless	160	20	51	5.4	13	172	19	M5	13	345



Pull Handles - Oval aluminium



78020

PULL HANDLES

Material

Oval aluminium, Al Mg Si 0,5.

Finish: anodized with matt finish in natural

colour or black.

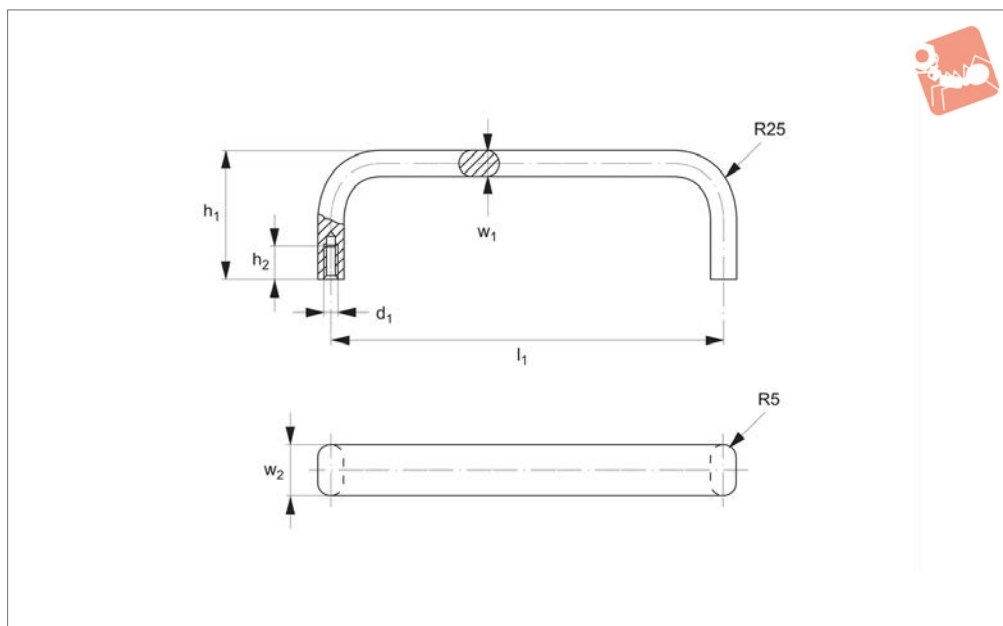
Technical Notes

Minimum stress resistance 500N.

Order No.	Colour	l_1	w_1	h_1	d_1	l_2	h_2	w_2
78020.W0055-1	Natural	55	8	40	M 5	63	10	12
78020.W0055-4	Black	55	8	40	M 5	63	10	12
78020.W0088-1	Natural	88	8	40	M 5	96	10	12
78020.W0088-4	Black	88	8	40	M 5	96	10	12
78020.W0100-1	Natural	100	8	40	M 5	108	10	12
78020.W0100-4	Black	100	8	40	M 5	108	10	12
78020.W0120-1	Natural	120	8	40	M 5	128	10	12
78020.W0120-4	Black	120	8	40	M 5	128	10	12
78020.W0180-1	Natural	180	8	40	M 5	180	10	12
78020.W0180-4	Black	180	8	40	M 5	188	10	12
78020.W0200-1	Natural	200	8	40	M 5	208	10	12
78020.W0200-4	Black	200	8	40	M 5	208	10	12
78020.W0235-1	Natural	235	8	40	M 5	243	10	12
78020.W0235-4	Black	235	8	40	M 5	243	10	12
78020.W0250-1	Natural	250	8	40	M 5	258	10	12
78020.W0250-4	Black	250	8	40	M 5	258	10	12



78030



Material

Flat-oval profiled aluminium AlMgSi 0.5.
Finish: ground and anodized with a matte

finish in natural or black colour.

Technical Notes

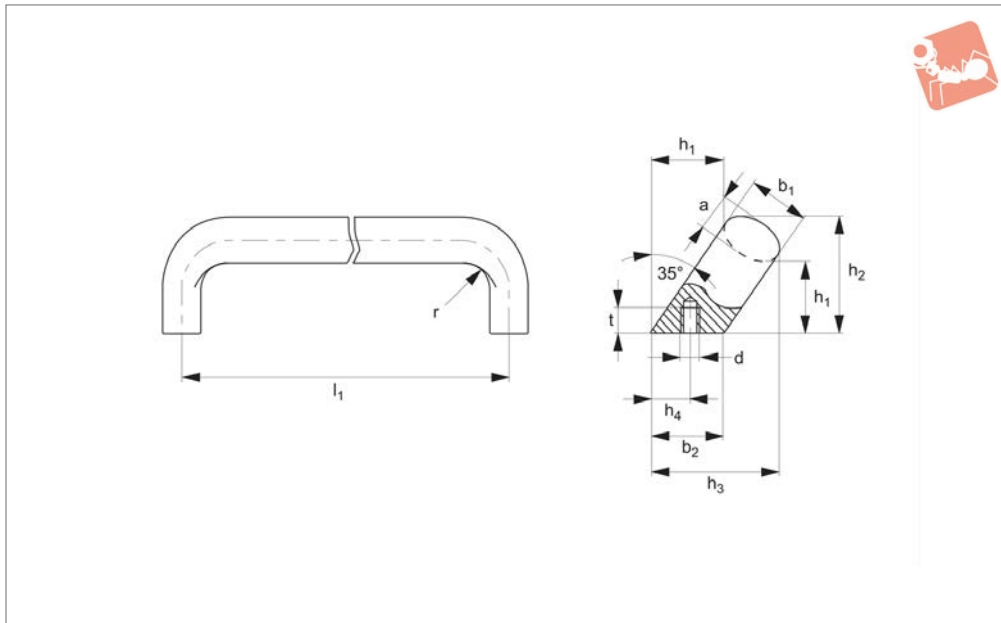
Minimum stress resistance 500N. Suitable

for engineering, instrument and apparatus building.

Order No.	Colour	l_1	w_1	h_1	d_1	h_2	w_2
78030.W0120-1	Natural	120	10	45	5	10	20
78030.W0120-4	Black	120	10	45	5	10	20
78030.W0140-1	Natural	140	10	45	5	10	20
78030.W0140-4	Black	140	10	45	5	10	20
78030.W0180-1	Natural	180	10	45	5	10	20
78030.W0180-4	Black	180	10	45	5	10	20
78030.W0200-1	Natural	200	10	45	5	10	20
78030.W0200-4	Black	200	10	45	5	10	20
78030.W0350-1	Natural	350	10	45	6	12	20
78030.W0350-4	Black	350	10	45	6	12	20



Cabinet Handles angled



78040

PULL HANDLES

Material

Aluminium: natural silver - matt anodized, or plastic coated. Black - RAL 9005, matte,

textured finish.

Technical Notes

These handles feature modern and ergo-

nomic styling for a sure and comfortable grip. Handle inclined 35°.

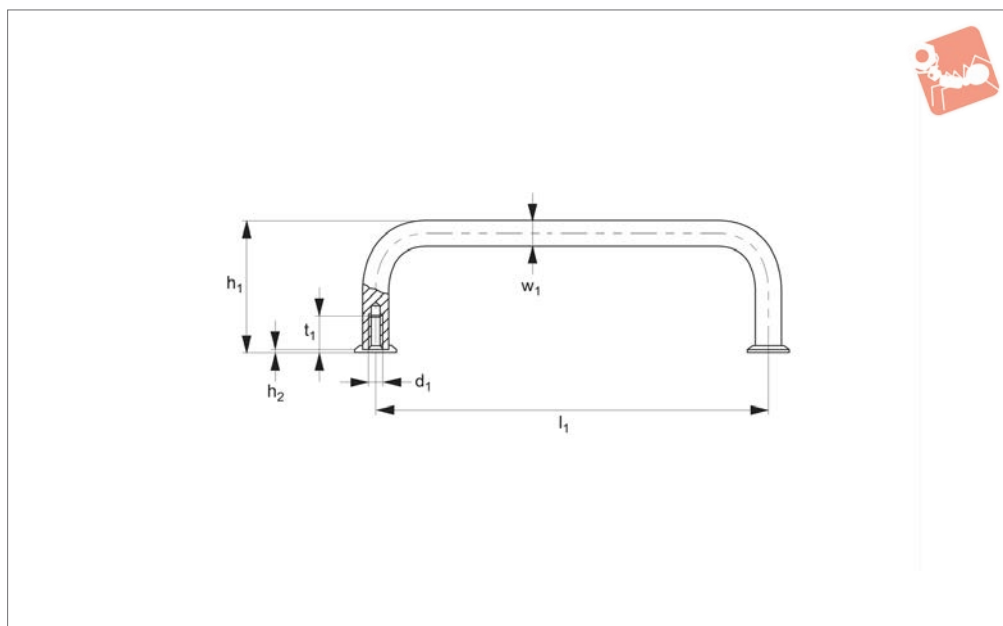
Order No.	Finish	l ₁	b ₁	h ₁	a	h ₂	b ₂	d	t min.	h ₃	R	h ₄ +1	Weight g
78040.W0004	Black	112	20	32	13	48	24	M_6	10	50	13	13.5	105
78040.W0006	Black	128	20	32	13	48	24	M_6	10	50	13	13.5	110
78040.W0008	Black	128	26	34	17	54	32	M_8	12	57	17	18.0	195
78040.W0018	Black	160	26	34	17	54	32	M_8	12	57	17	18.0	220
78040.W0104	Natural	112	20	32	13	48	24	M_6	10	50	13	13.5	99
78040.W0106	Natural	128	20	32	13	48	24	M_6	10	50	13	13.5	112
78040.W0108	Natural	128	26	34	17	54	32	M_8	12	57	17	18.0	190
78040.W0118	Natural	160	26	34	17	54	32	M_8	12	57	17	18.0	222



PULL HANDLES



78050



Material

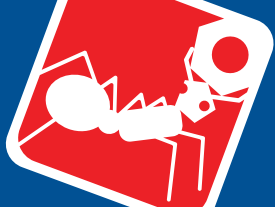
Round bar aluminium dia. 10mm. Al Mg Si 0,5.

Finish: anodized with matt finish in natural colour or black.

Technical Notes

Minimum stress resistance 500N.

Order No.	Colour	l_1	w_1	h_1	d_1	t_1	h_2
78050.W0055-1	Natural	55	10	41	M 5	10	1
78050.W0055-4	Black	55	10	41	M 5	10	1
78050.W0088-1	Natural	88	10	41	M 5	10	1
78050.W0088-4	Black	88	10	41	M 5	10	1
78050.W0100-1	Natural	100	10	41	M 5	10	1
78050.W0100-4	Black	100	10	41	M 5	10	1
78050.W0120-1	Natural	120	10	41	M 5	10	1
78050.W0120-4	Black	120	10	41	M 5	10	1
78050.W0180-1	Natural	180	10	41	M 5	10	1
78050.W0180-4	Black	180	10	41	M 5	10	1
78050.W0200-1	Natural	200	10	41	M 5	10	1
78050.W0200-4	Black	200	10	41	M 5	10	1
78050.W0235-1	Natural	235	10	41	M 5	10	1
78050.W0235-4	Black	235	10	41	M 5	10	1
78050.W0250-1	Natural	250	10	41	M 5	10	1
78050.W0250-4	Black	250	10	41	M 5	10	1



Pull Handles - Tubular aluminium



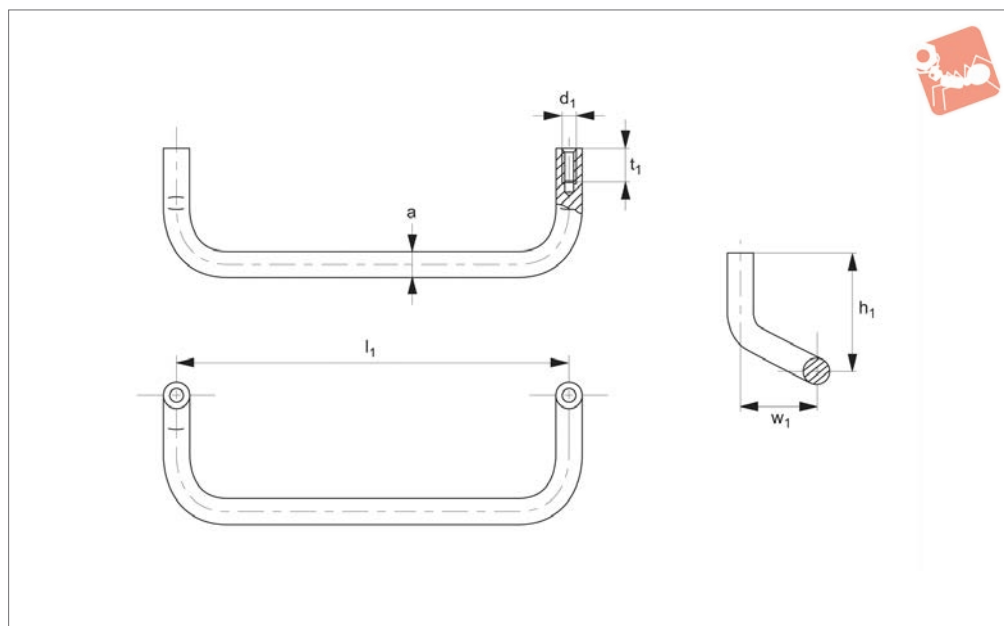
Pull Handles



PULL HANDLES



78070



Material

Round aluminium bar, Al Mg Si 0,5. Finish: vibration ground, and anodized with a matt

finish in natural or black colour.

Technical Notes

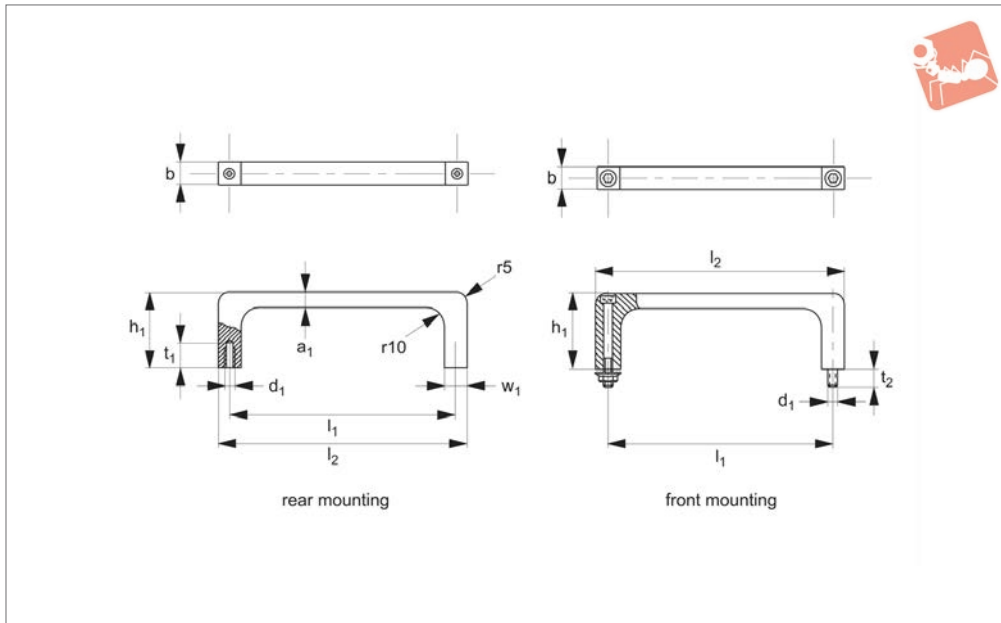
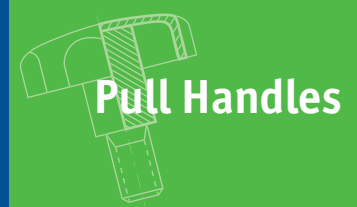
Minimum stress resistance 500N.

Order No.	Finish	l_1	w_1	h_1	d_1	t_1	a
78070.W0086-1	Natural	86	30	40	M 5	10	10
78070.W0086-4	Black	86	30	40	M 5	10	10
78070.W0120-1	Natural	120	30	40	M 5	10	10
78070.W0120-4	Black	120	30	40	M 5	10	10
78070.W0180-1	Natural	180	30	40	M 5	10	10
78070.W0180-4	Black	180	30	40	M 5	10	10



Pull Handles - Aluminium

for 19" drawers and instrument panels



78120

PULL HANDLES

Material

Profile aluminium AL Mg Si 0,5.
Finish: vibration ground and anodized to a matt finish in natural or black colour.

Stainless steel hexagon screws to DIN 912, with self locking nuts, are supplied for front mounting type.

Technical Notes

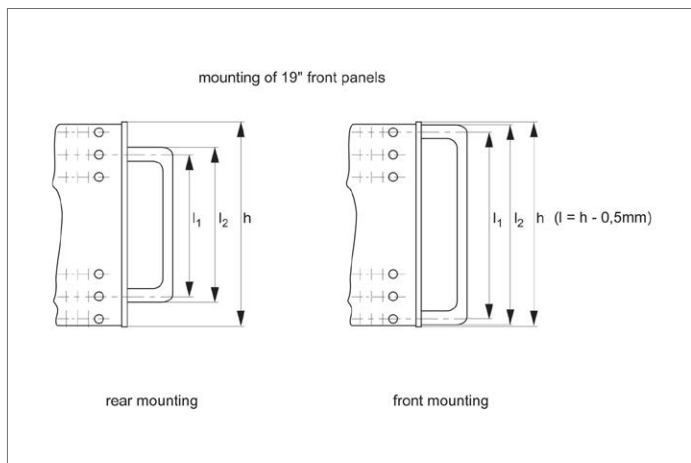
Minimum stress resistance 500N.

Order No.	Finish	Type	l ₁	w ₁	b ₁	h ₁	d ₁	l ₂	h height of front panel	t ₁	Mounting type	a ₁	t ₂
78120.W0005-1	Natural	Rear Mounting	55.0	12	12	40	M 5	67.0	88.1	10	1	8	9
78120.W0008-1	Natural	Rear Mounting	88.0	12	12	40	M 5	100.	132.5	10	1	8	9
78120.W0012-1	Natural	Rear Mounting	120.0	12	12	40	M 5	132.0	177.0	10	1	8	9
78120.W0018-1	Natural	Rear Mounting	180.0	12	12	40	M 5	192.0	221.5	10	1	8	9
78120.W0023-1	Natural	Rear Mounting	235.0	12	12	40	M 5	247.0	266.0	10	1	8	9
78120.W0505-1	Natural	Rear Mounting	32.0	12	12	40	M 5	43.5	44.0	10	2	8	9
78120.W0508-1	Natural	Rear Mounting	75.5	12	12	40	M 5	87.5	88.1	10	2	8	9
78120.W0512-1	Natural	Rear Mounting	120.0	12	12	40	M 5	132.0	132.5	10	2	8	9
78120.W0523-1	Natural	Rear Mounting	253.5	12	12	40	M 5	265.5	266.0	10	2	8	9
78120.W0005-4	Black	Rear Mounting	55.0	12	12	40	M 5	67.0	88.1	10	1	8	9
78120.W0008-4	Black	Rear Mounting	88.0	12	12	40	M 5	100.0	132.5	10	1	8	9
78120.W0012-4	Black	Rear Mounting	120.0	12	12	40	M 5	132.0	177.0	10	1	8	9
78120.W0018-4	Black	Rear Mounting	180.0	12	12	40	M 5	192.0	221.5	10	1	8	9
78120.W0023-4	Black	Rear Mounting	235.0	12	12	40	M 5	247.0	266.0	10	1	8	9
78120.W0505-4	Black	Rear Mounting	32.0	12	12	40	M 5	43.5	44.0	10	2	8	9
78120.W0508-4	Black	Rear Mounting	75.5	12	12	40	M 5	87.5	88.1	10	2	8	9
78120.W0512-4	Black	Rear Mounting	120.0	12	12	40	M 5	132.0	132.5	10	2	8	9
78120.W0523-4	Black	Rear Mounting	253.5	12	12	40	M 5	265.5	266.0	10	2	8	9
78120.W0105-1	Natural	Front Mounting	55.0	12	12	40	M 5	67.0	88.1	10	1	8	9
78120.W0108-1	Natural	Front Mounting	88.0	12	12	40	M 5	100.	132.5	10	1	8	9
78120.W0112-1	Natural	Front Mounting	120.0	12	12	40	M 5	132.0	177.0	10	1	8	9
78120.W0118-1	Natural	Front Mounting	180.0	12	12	40	M 5	192.0	221.5	10	1	8	9
78120.W0123-1	Natural	Front Mounting	235.0	12	12	40	M 5	247.0	266.0	10	1	8	9
78120.W0605-1	Natural	Front Mounting	32.0	12	12	40	M 5	43.5	44.0	10	2	8	9
78120.W0608-1	Natural	Front Mounting	75.5	12	12	40	M 5	87.5	88.1	10	2	8	9
78120.W0612-1	Natural	Front Mounting	120.0	12	12	40	M 5	132.0	132.5	10	2	8	9
78120.W0623-1	Natural	Front Mounting	253.5	12	12	40	M 5	265.5	266.0	10	2	8	9
78120.W0105-4	Black	Front Mounting	55.0	12	12	40	M 5	67.0	88.1	10	1	8	9
78120.W0108-4	Black	Front Mounting	88.0	12	12	40	M 5	100.0	132.5	10	1	8	9
78120.W0112-4	Black	Front Mounting	120.0	12	12	40	M 5	132.0	177.0	10	1	8	9
78120.W0118-4	Black	Front Mounting	180.0	12	12	40	M 5	192.0	221.5	10	1	8	9
78120.W0123-4	Black	Front Mounting	235.0	12	12	40	M 5	247.0	266.0	10	1	8	9
78120.W0605-4	Black	Front Mounting	32.0	12	12	40	M 5	43.5	44.0	10	2	8	9
78120.W0608-4	Black	Front Mounting	75.5	12	12	40	M 5	87.5	88.1	10	2	8	9
78120.W0612-4	Black	Front Mounting	120.0	12	12	40	M 5	132.0	132.5	10	2	8	9



Order No.	Finish	Type	l_1	w_1	b_1	h_1	d_1	l_2	h height of front panel	t_1	Mounting type	a_1	t_2
78120.W0623-4	Black	Front Mounting	253.5	12	12	40	M 5	265.5	266.0	10	2	8	9

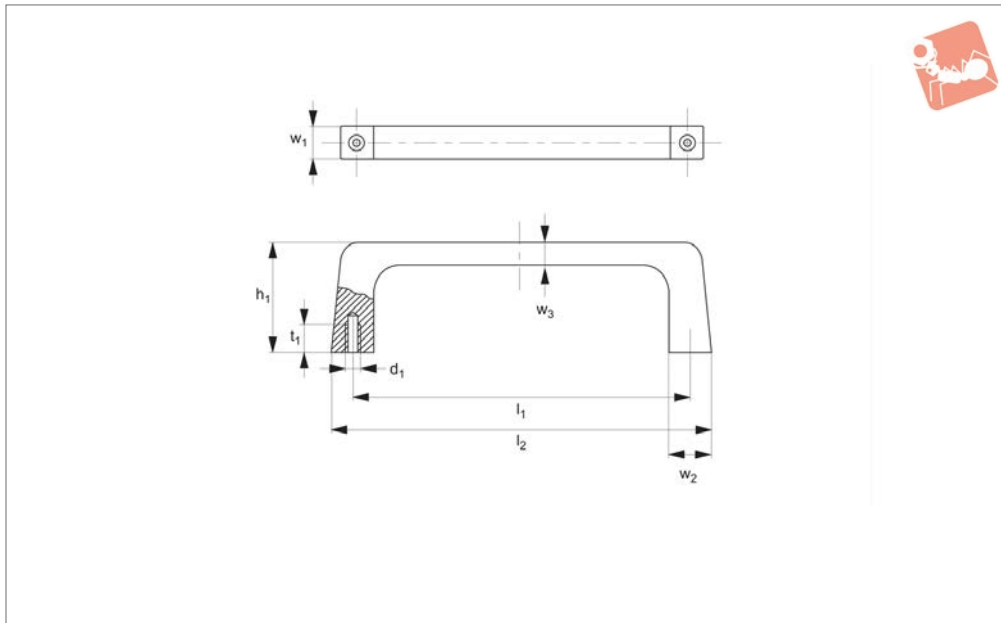
PULL HANDLES





Pull Handles - Aluminium

for 19" drawers and instrument panels



78130

PULL HANDLES

Material

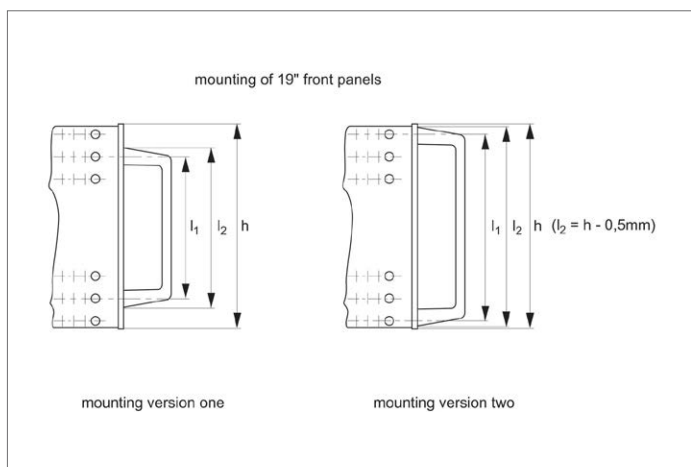
Cut profiled aluminium AIMgSi 0.5.
Finish: anodized with a matt finish in

natural colour or black.

Technical Notes

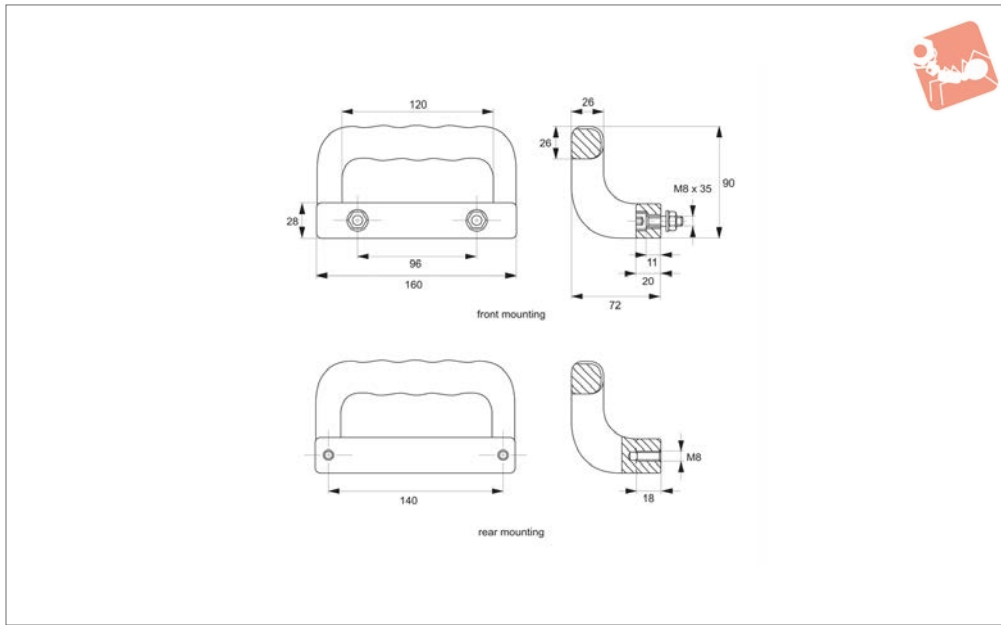
Minimum stress resistance 500N.

Order No.	Colour	l_1	w_1	h_1	d_1	l_2	t_1	w_2	w_3	Suitable mounting	Version	Height of front panel h
78130.W0025-1	Natural	25.0	12	40	M 5	40.0	10	12	5	1	1	44.0
78130.W0025-4	Black	25.0	12	40	M 5	40.0	10	12	5	1	1	44.0
78130.W0055-1	Natural	55.0	12	40	M 5	69.0	10	12	8	1	1	88.1
78130.W0055-4	Black	55.0	12	40	M 5	69.0	10	12	8	1	1	88.1
78130.W0088-1	Natural	88.0	12	40	M 5	102.0	10	12	8	1	1	132.5
78130.W0088-4	Black	88.0	12	40	M 5	102.0	10	12	8	1	1	132.5
78130.W0120-1	Natural	120.0	12	40	M 5	134.0	10	12	8	1	1	177.0
78130.W0120-4	Black	120.0	12	40	M 5	134.0	10	12	8	1	1	177.0
78130.W0133-1	Natural	133.4	12	40	M 5	146.5	10	12	8	-	-	-
78130.W0133-4	Black	133.4	12	40	M 5	146.5	10	12	8	-	-	-
78130.W0177-1	Natural	177.8	12	40	M 5	191.0	10	12	8	-	-	-
78130.W0177-4	Black	177.8	12	40	M 5	191.0	10	12	8	-	-	-
78130.W0180-1	Natural	180.0	12	40	M 5	194.0	10	12	8	1	1	221.5
78130.W0180-4	Black	180.0	12	40	M 5	194.0	10	12	8	1	1	221.5
78130.W0235-1	Natural	235.0	12	40	M 5	249.0	10	12	8	1	1	266.0
78130.W0235-4	Black	235.0	12	40	M 5	249.0	10	12	8	1	1	266.0
78130.W0251-1	Natural	251.5	12	40	M 5	265.5	10	12	8	2	2	266.0
78130.W0251-4	Black	251.5	12	40	M 5	265.5	10	12	8	2	2	266.0
78130.W0588-1	Natural	88.0	12	46	M 5	102.0	10	12	8	1	1	132.5
78130.W0588-4	Black	88.0	12	46	M 5	102.0	10	12	8	1	1	132.5
78130.W0620-1	Natural	120.0	12	46	M 5	132.0	10	12	8	2	2	132.5
78130.W0620-4	Black	120.0	12	46	M 5	132.0	10	12	8	2	2	132.5





Pull Handles - Cranked, Heavy Duty aluminium



78180

PULL HANDLES

Material

Die cast aluminium AlSiCu 12.
Finish: vibration ground and black powder coated, semi-matt.

Technical Notes

Front mounting version comes with stainless steel hexagon socket head cap screw
DIN M 8x35, nuts DIN 934 and washers

DIN125.

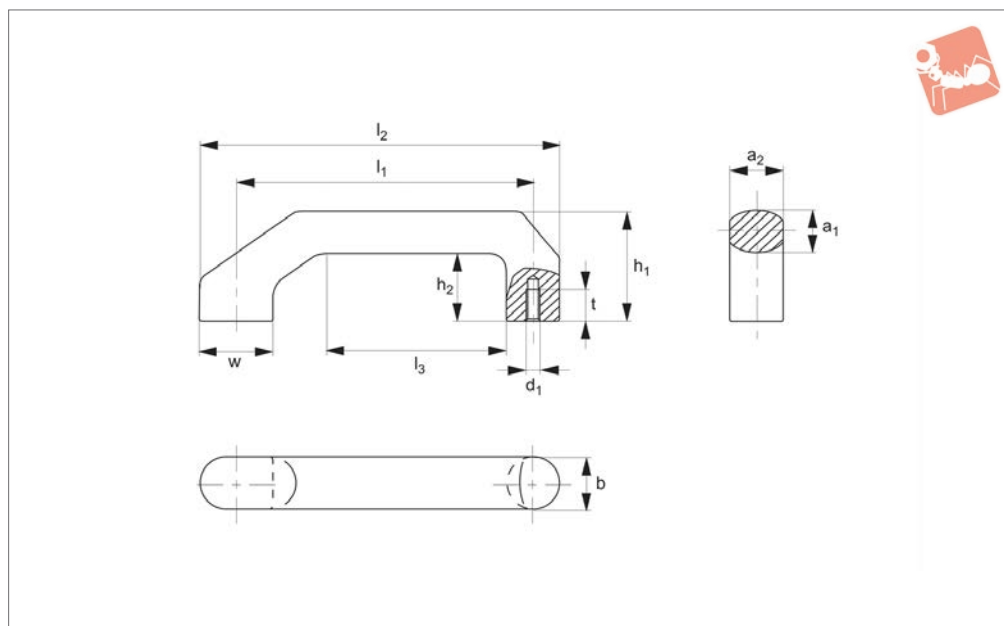
Stress resistance: 1000N.

Order No.
78180.W0096
78180.W0140

Type
Front Mounting
Rear Mounting



78200



Material

Die cast aluminium AlMg3.
Finish: vibration ground, raw or black

powder coated, semi-matt.

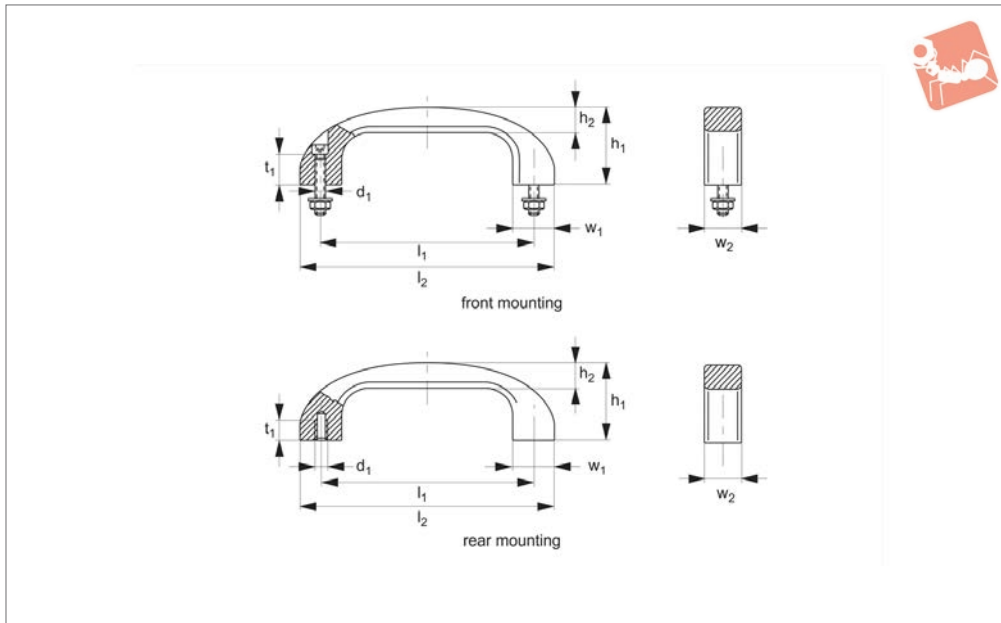
Technical Notes

Stress resistance: min. 500N.

Order No.	Finish	l_1	h_1	d_1	l_2	h_2	l_3	t	a_1	a_2	w	b
78200.W0140-1	Natural	140	52	M 6	170	32	89	15	20	25	35	25
78200.W0140-4	Black	140	52	M 6	170	32	89	15	20	25	35	25



Pull Handles - Bow type aluminium



78210

PULL HANDLES

Material

Aluminium section AlMgSi 0.5. Finish: anodized in a special quality glass ball blasted, satin finish.

Technical Notes

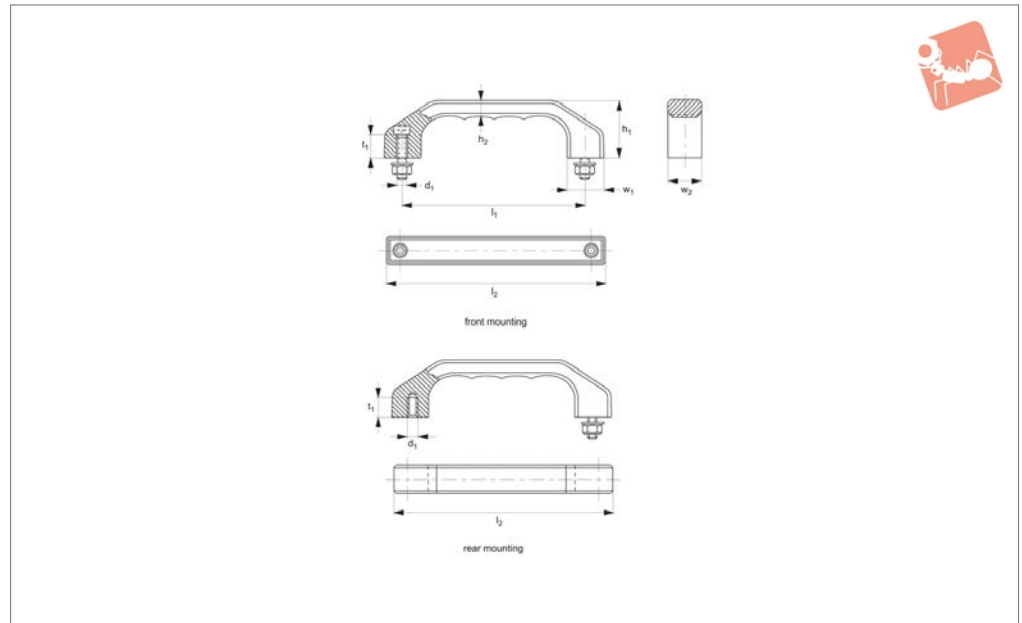
Minimum stress resistance <1000N.
Front mounted version supplied with cheese head screws (with hex socket) DIN

912, nuts DIN 934 and washer DIN125 - made of made os stainless steel.

Order No.	Colour	Type	l_1	w_1	h_1	d_1	l_2	t_1	h_2	w_2
78210.W0120-1	Natural	Rear Mounting	120	24	46	M 6	144	12	15	22
78210.W0120-4	Black	Rear Mounting	120	24	46	M 6	144	12	15	22
78210.W0140-1	Natural	Rear Mounting	140	28	53	M 8	168	12	17	25
78210.W0140-4	Black	Rear Mounting	140	28	53	M 8	168	12	17	25
78210.W0220-1	Natural	Front Mounting	120	24	46	M 6x25	144	15	15	22
78210.W0220-4	Black	Front Mounting	120	24	46	M 6x25	144	15	15	22
78210.W0240-1	Natural	Front Mounting	140	28	53	M 8x30	168	15	17	25
78210.W0240-4	Black	Front Mounting	140	28	53	M 8x30	168	15	17	25



78240



Material

Aluminium section AlMgSi 0.5. Finish: anodized in a special quality, glass ball blasted, satin finish. RHL 9002, grey,

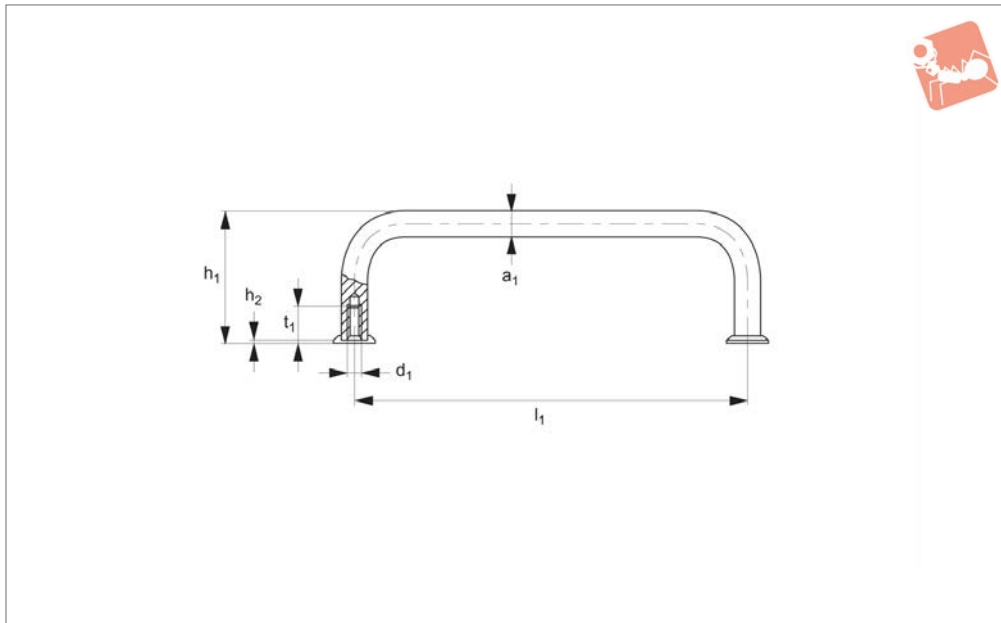
white.

design. Minimum stress resistance >1000N.

Technical Notes

Solid aluminium handles in industrial

Order No.	Colour	Type	l_1	w_1	h_1	d_1	l_2	t_1	h_2	w_2
78240.W0120-1	Natural	Rear Mounting	120	24	39	M 6	146	12	10.5	22
78240.W0120-4	Black	Rear Mounting	120	24	39	M 6	146	12	10.5	22
78240.W0140-1	Natural	Rear Mounting	140	28	45	M 8	170	15	12.0	25
78240.W0140-4	Black	Rear Mounting	140	28	45	M 8	170	15	12.0	25
78240.W0160-1	Natural	Rear Mounting	160	32	52	M 8	194	15	13.5	28
78240.W0160-4	Black	Rear Mounting	160	32	52	M 8	194	15	13.5	28
78240.W0220-1	Natural	Front Mounting	120	24	39	M 6	146	12	10.5	22
78240.W0220-4	Black	Front Mounting	120	24	39	M 6	146	12	10.5	22
78240.W0240-1	Natural	Front Mounting	140	28	45	M 8	170	15	12.0	25
78240.W0240-4	Black	Front Mounting	140	28	45	M 8	170	15	12.0	25
78240.W0260-1	Natural	Front Mounting	160	32	52	M 8	194	15	13.5	28
78240.W0260-4	Black	Front Mounting	160	32	52	M 8	194	15	13.5	28



78700

PULL HANDLES

Material

Round steel bar.
Finish: precision ground and high gloss

chromium plated surface. Chromium
coloured brass cover washers included.

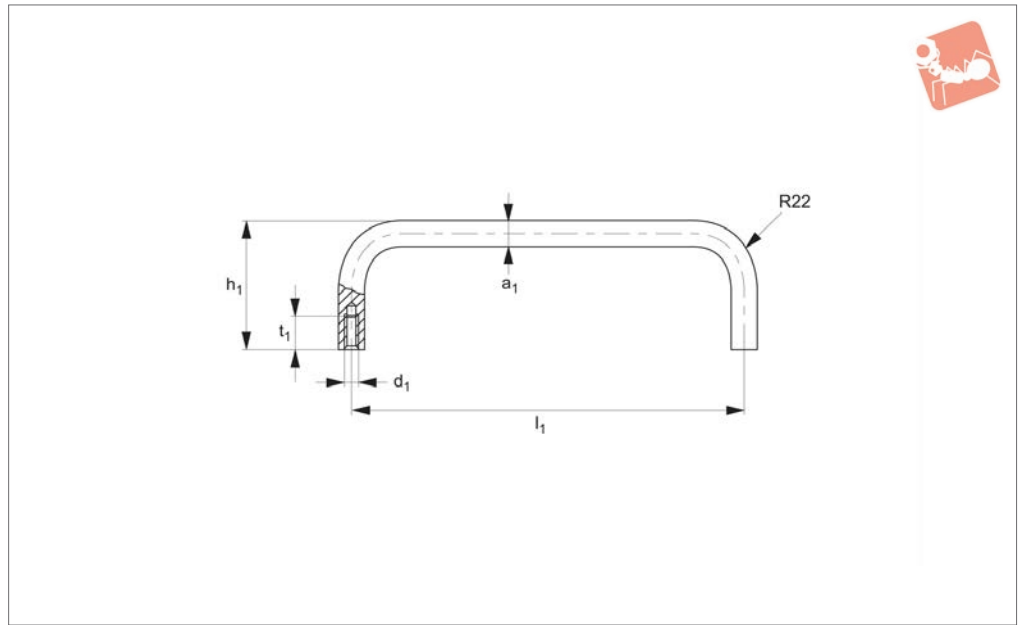
Technical Notes

Minimum stress resistance 1000N.

Order No.	l_1	$\varnothing a_1$	d_1	h_1	h_2	t_1
78700.W0003	32	5	M 3	21	1	6
78700.W0004	42	5	M 3	25	1	6
78700.W0005	55	5	M 3	25	1	6
78700.W0007	76	5	M 3	25	1	6
78700.W0008	88	5	M 3	25	1	6
78700.W0103	32	8	M 4	33	1	8
78700.W0105	55	8	M 4	33	1	8
78700.W0106	64	8	M 4	33	1	8
78700.W0108	88	8	M 4	33	1	8
78700.W0109	96	8	M 4	33	1	8
78700.W0110	102	8	M 4	33	1	8
78700.W0112	120	8	M 4	33	1	8
78700.W0113	128	8	M 4	33	1	8
78700.W0114	136	8	M 4	33	1	8
78700.W0505	55	10	M 5	41	1	10
78700.W0508	88	10	M 5	41	1	10
78700.W0509	100	10	M 5	41	1	10
78700.W0510	102	10	M 5	41	1	10
78700.W0511	115	10	M 5	41	1	10
78700.W0512	120	10	M 5	41	1	10
78700.W0514	136	10	M 5	41	1	10
78700.W0518	180	10	M 5	41	1	10
78700.W0520	200	10	M 5	41	1	10
78700.W0523	235	10	M 5	41	1	10
78700.W0525	250	10	M 5	41	1	10



78720



Material

Round steel bar $\varnothing 20\text{mm}$.
Finish: ground, brushed matt chromium

plated or black powder coated.

Technical Notes

Minimum stress resistance >1000N.

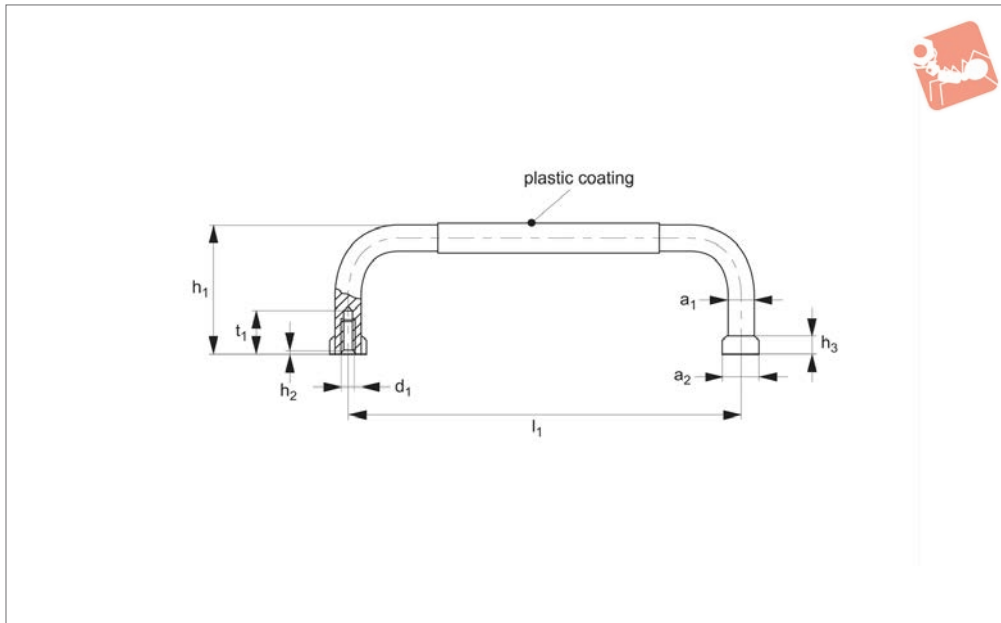
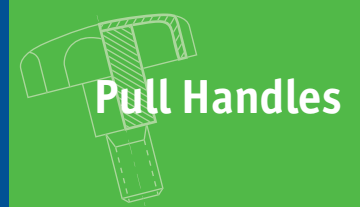
Order No.	Finish	l_1	a_1	d_1	h_1	t_1
78720.W0200-1	Matte Chromium Plated	200	20	M 8	70	15
78720.W0250-1	Matte Chromium Plated	250	20	M 8	70	15
78720.W0300-1	Matte Chromium Plated	300	20	M 8	70	15
78720.W0350-1	Matte Chromium Plated	350	20	M 8	70	15
78720.W0400-1	Matte Chromium Plated	400	20	M 8	70	15
78720.W0200-4	Black Powder Coated	200	20	M 8	70	15
78720.W0250-4	Black Powder Coated	250	20	M 8	70	15
78720.W0300-4	Black Powder Coated	300	20	M 8	70	15
78720.W0350-4	Black Powder Coated	350	20	M 8	70	15
78720.W0400-4	Black Powder Coated	400	20	M 8	70	15





Pull Handles with Plastic Cover

steel



78740

PULL HANDLES

Material

Round steel bar.

Finish: precision ground and matt gloss chromium plated surface, handle arms with smooth plastic covering. High quality

handles for front panels and similar applications.

Technical Notes

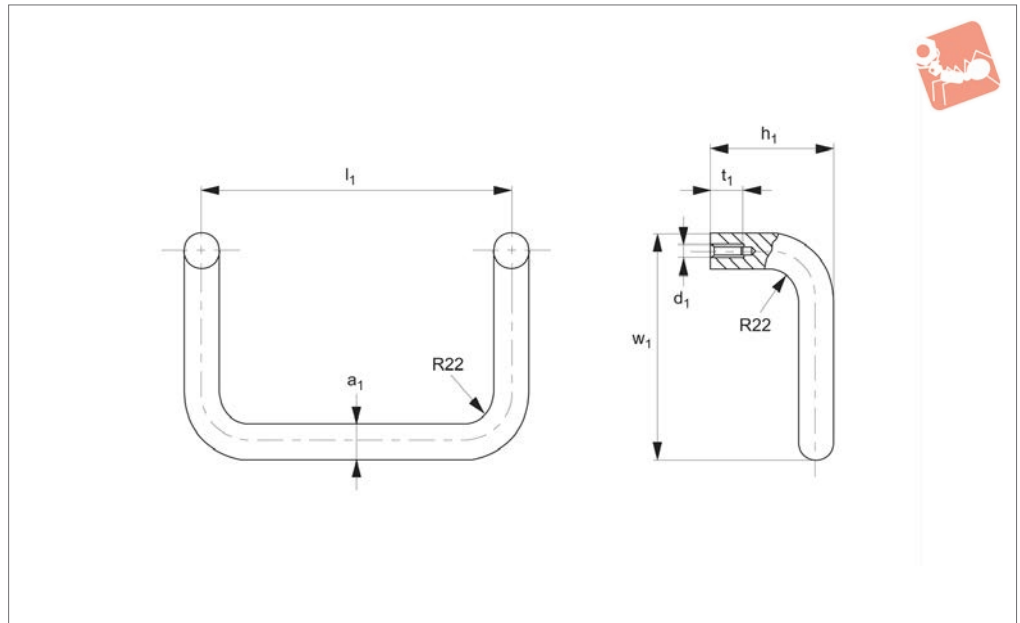
Matte gloss chromium plated brass end

bushes included. Minimum stress resistance 1000N.

Order No.	l_1	a_1	a_2	d_1	h_1	h_2	h_3	t_1
78740.W0005	55	10	14	M 5	41	1	8	10
78740.W0088	88	10	14	M 5	41	1	8	10
78740.W0100	100	10	14	M 5	41	1	8	10
78740.W0102	102	10	14	M 5	41	1	8	10
78740.W0115	115	10	14	M 5	41	1	8	10
78740.W0120	120	10	14	M 5	41	1	8	10
78740.W0136	136	10	14	M 5	41	1	8	10
78740.W0180	180	10	14	M 5	41	1	8	10
78740.W0200	200	10	14	M 5	41	1	8	10
78740.W0235	235	10	14	M 5	41	1	8	10
78740.W0250	250	10	14	M 5	41	1	8	10



78760



Material

Round bar steel, Ø20mm.
Finish: ground, brushed matt chromium plated or black powder coated with fine

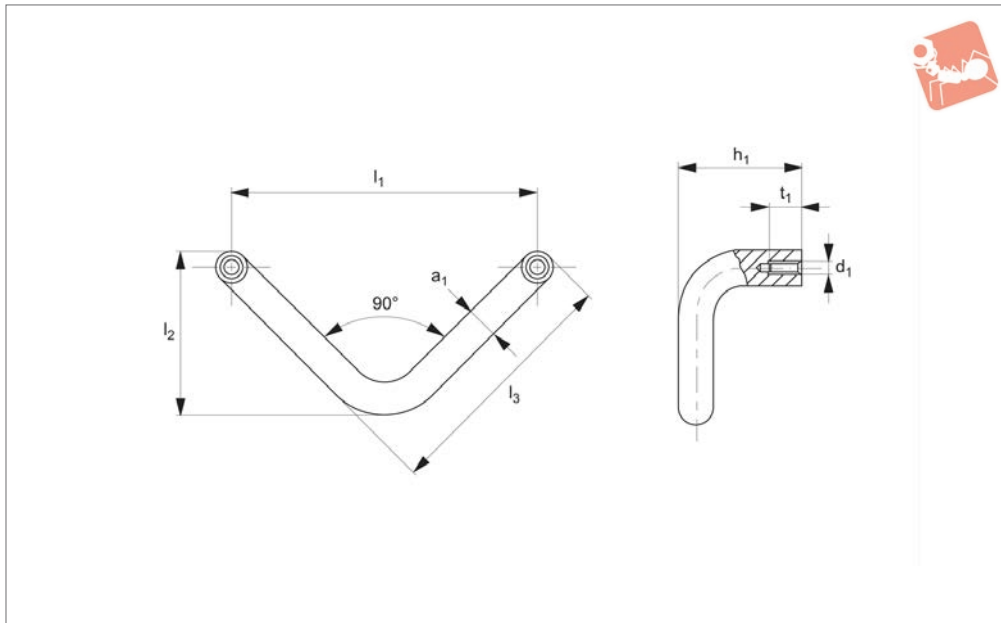
structure.

Technical Notes

Minimum stress resistance >1000N.

Handles with other bore clearances are available on request.

Order No.	Finish	l_1	a_1	d_1	h_1	t_1	w_1
78760.W0200-1	Matte Chromium Plated	200	20	M 8	70	15	130
78760.W0200-4	Black Powder Coated	200	20	M 8	70	15	130
78760.W0350-1	Matte Chromium Plated	350	20	M 8	70	15	130
78760.W0350-4	Black Powder Coated	350	20	M 8	70	15	130



78770

PULL HANDLES

Material

Round steel bar.
Finish: polished and bright chromium-

plated surface finish.

resistance 500N.

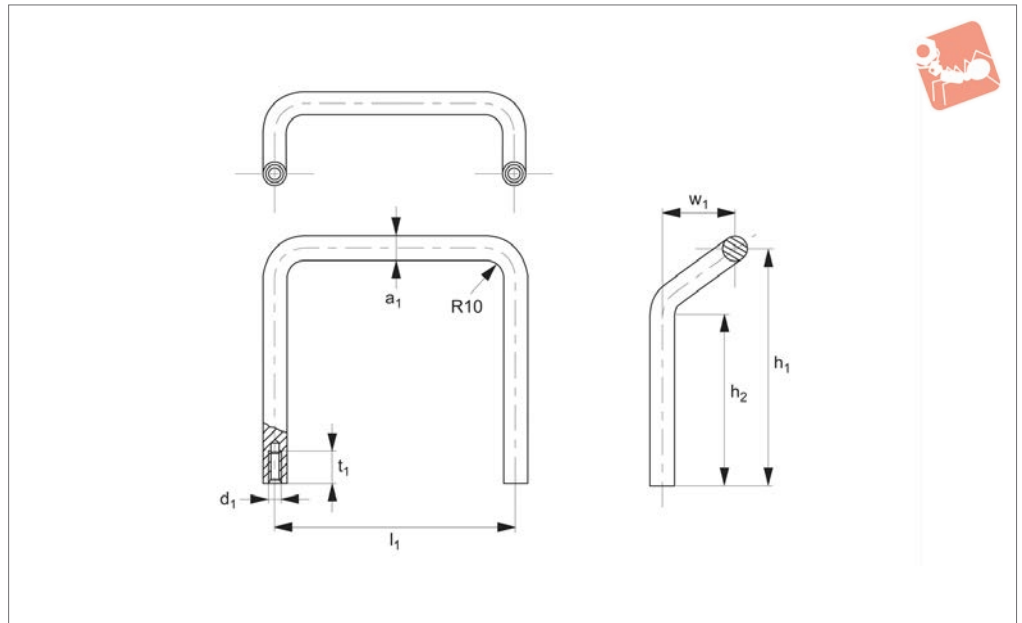
Technical Notes

Concentric threaded hole. Minimum stress

Order No.	l_1	a_1	d_1	h_1	l_2	l_3	t_1
78770.W0075	75	8	M_4	32	41	61	8
78770.W0090	90	10	M_5	40	49	73	10



78780



Material

Round bar steel, 12mm.
Finish: precision-ground and chromium-

plated mirror finish.

tional sizes or surface versions on request.

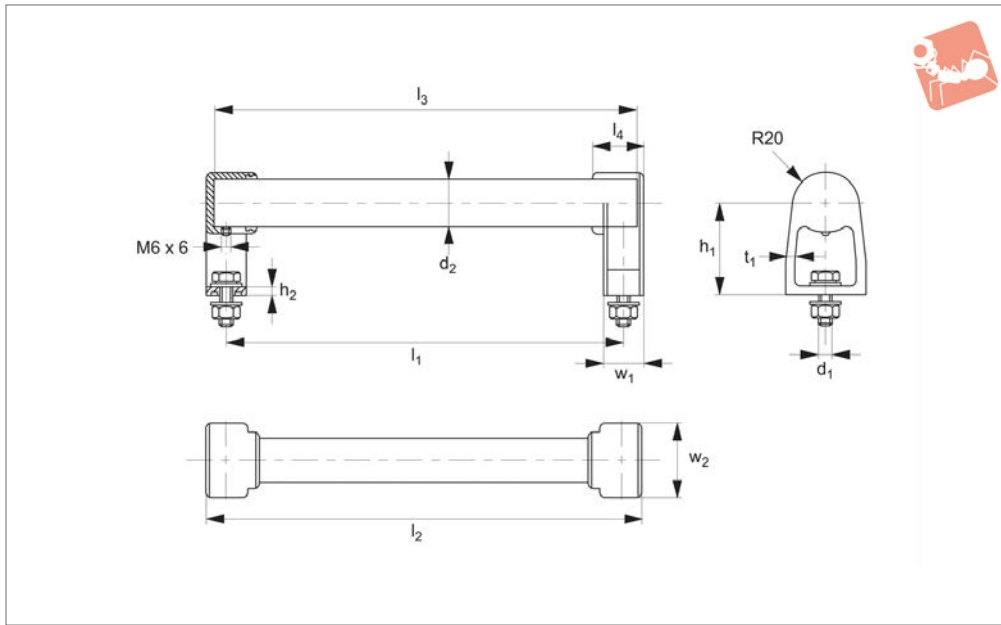
Technical Notes

Minimum stress resistance 1000N. Addi-

Order No.	l_1	a_1	d_1	h_1	h_2	t_1	w_1
78780.W0060	120	12	M 8	60	27	15	35
78780.W0120	120	12	M 8	120	87	15	35



Pull Handles stainless steel



78800

PULL HANDLES

Material

Handle shank: cast stainless steel, G-X7 CrNiMoNb 18 10. Glass blasted, satin matt finish.

Connecting tube: stainless steel, X5 CrNi189, 1.4301. Ground and blasted.

Packing ring: food quality silicon rubber.

Technical Notes

Standard mounting type (front or rear): with hex screws to DIN 933, M 8x25, washers & nuts.

Safety mounting type (rear only): with bolts to DIN603, M8x25, washers & nuts. Long term temperature resistance -60°C to + 200°C. Minimum stress resistance >1000N.

Ideal for use in food industry applications.

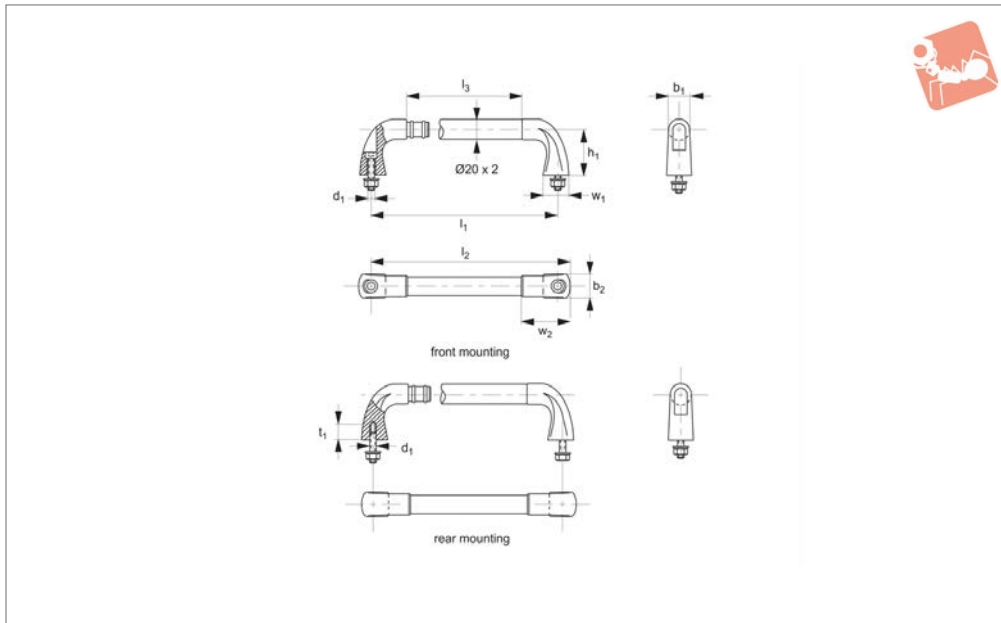
Order No.	Mounting type	l_1	l_2	l_3	l_4	d_1	d_2 dia.	h_1	h_2	t_1	w_1	w_2
78800.W0200	Standard	200	225	215	32	M 8x25	30x1,5	60	5	5	25	48
78800.W0210	Safety	200	225	215	32	M 8x25	30x1,5	60	5	5	25	48
78800.W0250	Standard	250	275	265	32	M 8x25	30x1,5	60	5	5	25	48
78800.W0260	Safety	250	275	265	32	M 8x25	30x1,5	60	5	5	25	48
78800.W0300	Standard	300	325	315	32	M 8x25	30x1,5	60	5	5	25	48
78800.W0310	Safety	300	325	315	32	M 8x25	30x1,5	60	5	5	25	48
78800.W0350	Standard	350	375	365	32	M 8x25	30x1,5	60	5	5	25	48
78800.W0360	Safety	350	375	365	32	M 8x25	30x1,5	60	5	5	25	48
78800.W0400	Standard	400	425	415	32	M 8x25	30x1,5	60	5	5	25	48
78800.W0410	Safety	400	425	415	32	M 8x25	30x1,5	60	5	5	25	48
78800.W0500	Standard	500	525	515	32	M 8x25	30x1,5	60	5	5	25	48
78800.W0510	Safety	500	525	515	32	M 8x25	30x1,5	60	5	5	25	48
78800.W0600	Standard	600	625	615	32	M 8x25	30x1,5	60	5	5	25	48
78800.W0610	Safety	600	625	615	32	M 8x25	30x1,5	60	5	5	25	48





Pull Handles

stainless steel



78820

PULL HANDLES

Material

Handle shank: cast stainless steel, Gx7 CrNiMoNb 18 10, abrasive blasted and electro-polished, dull bright finish.
 Connecting tube: stainless steel x5 CrNi 189, 1.4301. Precision ground or grooved plastic coating.

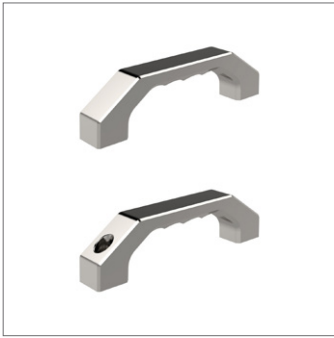
Connection tubes finish grounded and brushed. Handle shanks glass blasted and electro polished with half matte finish.

to DIN 912, M 8x35 and suitable washer and nut. Rear Mounting: supplied with hex screws to DIN 913 and suitable washer. Minimum stress resistance >1000N.

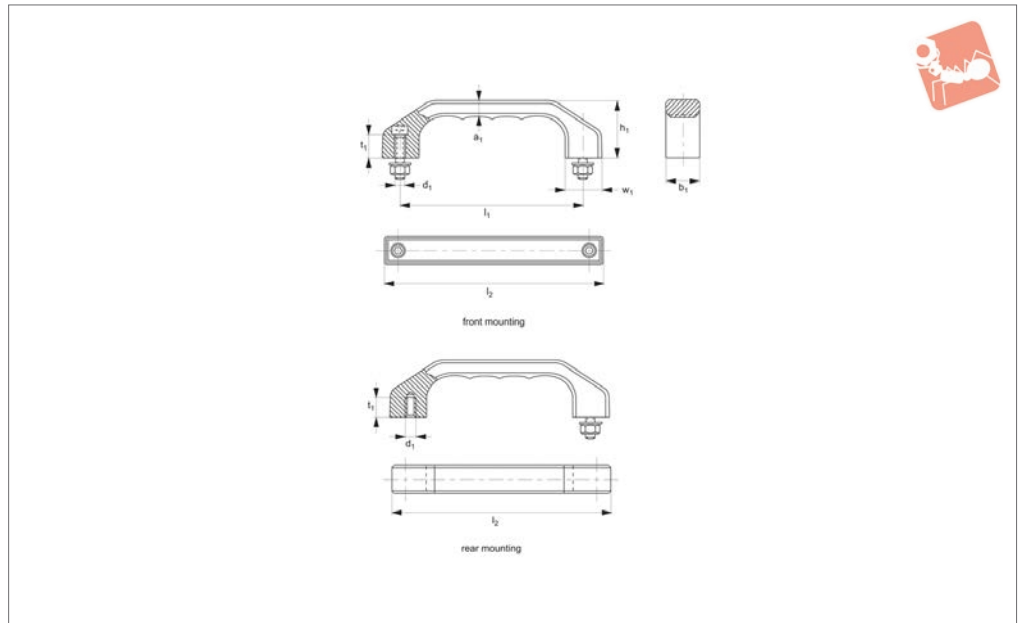
Technical Notes

Front mounting: supplied with hex screws

Order No.	Tube finish	Type	l_1	l_2	l_3	b_1	b_2	d_1	h_1	t_1	w_1	w_2
78820.W0020	Natural	Front Mount	200	226	120	22	26	M 8 x 35	50	-	29	53
78820.W0025	Natural	Front Mount	250	276	170	22	26	M 8 x 35	50	-	29	53
78820.W0030	Natural	Front Mount	300	326	220	22	26	M 8 x 35	50	-	29	53
78820.W0035	Natural	Front Mount	350	376	270	22	26	M 8 x 35	50	-	29	53
78820.W0040	Natural	Front Mount	400	426	320	22	26	M 8 x 35	50	-	29	53
78820.W0120	Plastic Covered	Front Mount	200	226	120	22	26	M 8 x 35	50	-	29	53
78820.W0125	Plastic Covered	Front Mount	250	276	170	22	26	M 8 x 35	50	-	29	53
78820.W0130	Plastic Covered	Front Mount	300	326	220	22	26	M 8 x 35	50	-	29	53
78820.W0135	Plastic Covered	Front Mount	350	376	270	22	26	M 8 x 35	50	-	29	53
78820.W0140	Plastic Covered	Front Mount	400	426	320	22	26	M 8 x 35	50	-	29	53
78820.W0520	Natural	Rear Mount	200	226	120	22	26	M 8 x 20	50	16	29	53
78820.W0525	Natural	Rear Mount	250	276	170	22	26	M 8 x 20	50	16	29	53
78820.W0530	Natural	Rear Mount	300	326	220	22	26	M 8 x 20	50	16	29	53
78820.W0535	Natural	Rear Mount	350	376	270	22	26	M 8 x 20	50	16	29	53
78820.W0540	Natural	Rear Mount	400	426	320	22	26	M 8 x 20	50	16	29	53
78820.W0620	Plastic Covered	Rear Mount	200	226	120	22	26	M 8 x 20	50	16	29	53
78820.W0625	Plastic Covered	Rear Mount	250	276	170	22	26	M 8 x 20	50	16	29	53
78820.W0630	Plastic Covered	Rear Mount	300	326	220	22	26	M 8 x 20	50	16	29	53
78820.W0635	Plastic Covered	Rear Mount	350	376	270	22	26	M 8 x 20	50	16	29	53
78820.W0640	Plastic Covered	Rear Mount	400	426	320	22	26	M 8 x 20	50	16	29	53



78830



Material

Stainless steel (304) precision casting (G X6 CrNi 18 9, material no. G4308). Finish: blasted and electropolished with a semi-

matt finish.

Technical Notes

Front mounting: supplied with hex screws

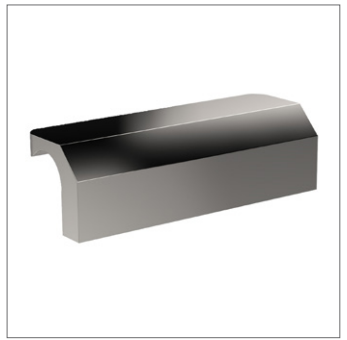
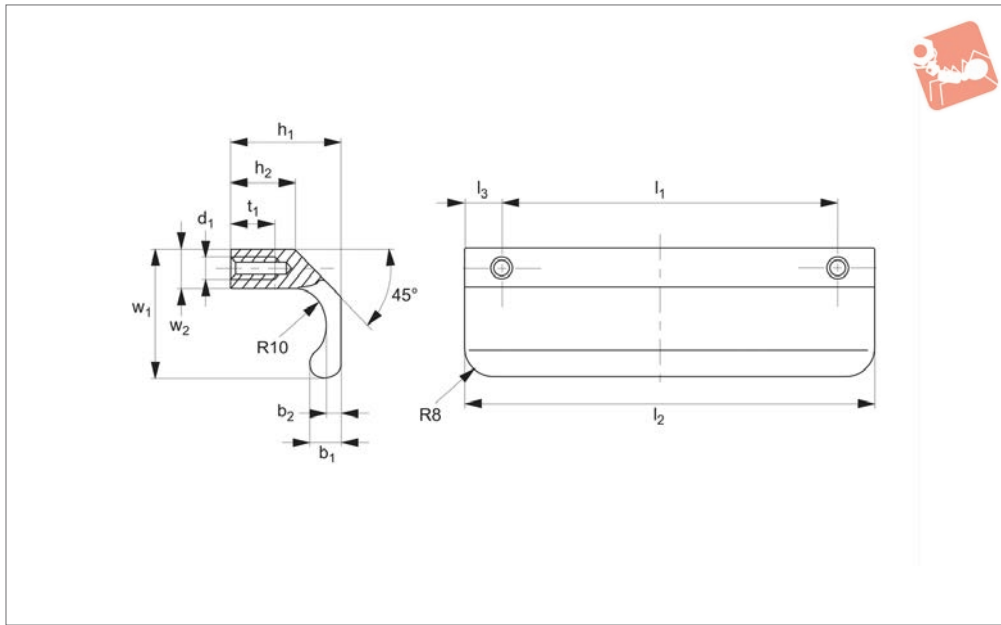
to DIN 912, and suitable washer and nut.
Rear Mounting: supplied with hex head screws to DIN 933 and suitable washer.
Minimum stress resistance >1000N.

Order No.	Type	l_1	l_2	a_1	b_1	d_1	h_1	t_1	w_1
78830.W0140	Front Mounting	140	170	12	25	M_8x30	45	15	28
78830.W0180	Front Mounting	180	218	15	32	M10x40	58	18	36
78830.W0540	Rear Mounting	140	170	12	25	M_8x18	45	15	28
78830.W0580	Rear Mounting	180	218	15	32	M10x20	58	18	36



Ledge Handles

stainless steel



78850

PULL HANDLES

Material

Profiled stainless steel 316 (X2 CrNiMo 17 13 2, material no. 1.4404). Finish: blasted and electropolished with a semi-matt

finish.

Technical Notes

Minimum stress resistance 500N.

Any other handle lengths available on request.

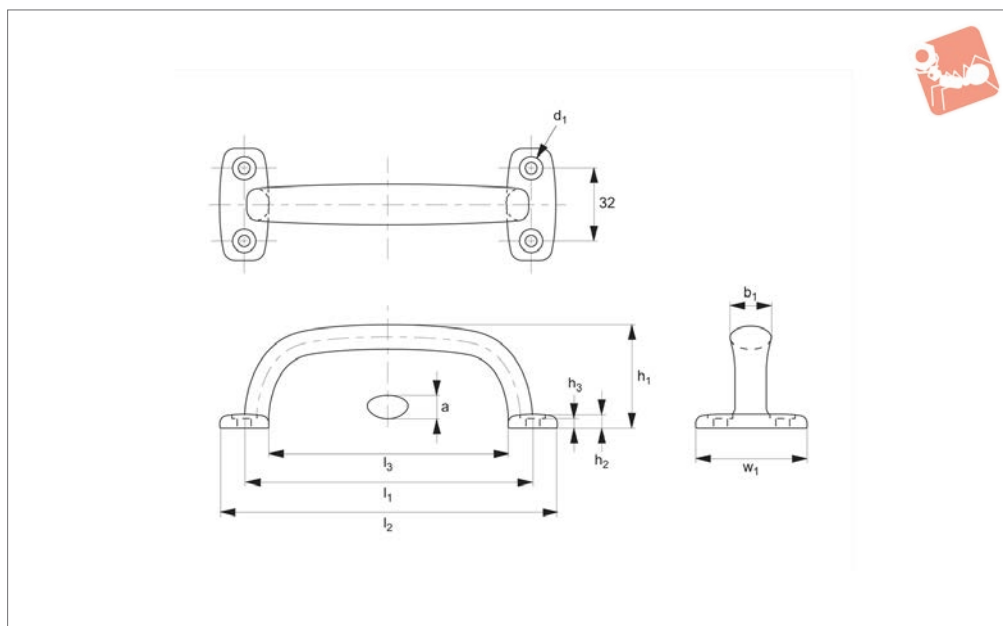
Order No.	l_1	l_2	b_1	b_2	d_1	h_1	h_2	t_1	w_1	w_2
78850.W0060	60	80	8	4	M 6	30	20	12	35	10
78850.W0080	80	100	8	4	M 6	30	20	12	35	10
78850.W0100	100	120	8	4	M 6	30	20	12	35	10
78850.W0130	130	150	8	4	M 6	30	20	12	35	10



PULL HANDLES



78890



Material

AISI 316 stainless steel, mirror finish.

Technical Notes

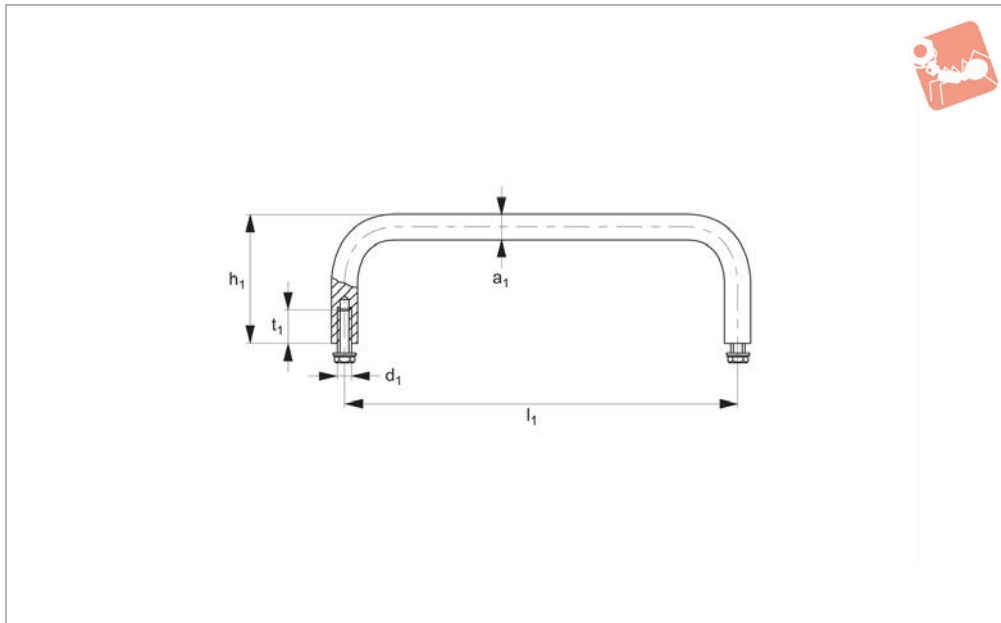
Supplied with stainless steel screws. Ideal for harsh and high corrosive environments.

Order No.	l_1	l_2	l_3	a	b_1	d_1	h_1	h_2	h_3	w_1	Weight g
78890.W0064	64	82	46	8	16	4-Ø5, 4-Ø9,5	36.5	5.5	4.0	48	110
78890.W0096	96	114	78	9	16	4-Ø5, 4-Ø9,5	40.0	6.0	4.5	48	148
78890.W0128	128	150	106	10	18	4-Ø6, 4-Ø11,0	45.0	6.0	4.5	50	210
78890.W0160	160	180	140	10	20	4-Ø6, 4-Ø11,0	48.0	6.5	5.0	50	270



Pull Handles - Bar Type

stainless steel



78900

PULL HANDLES

Material

Stainless steel rod X12 CrNiS 18 8, 1.4305 (AISI 303). Finish: matt gloss.

Tips

For medical technology, laboratory instruments with high chemical resistance.

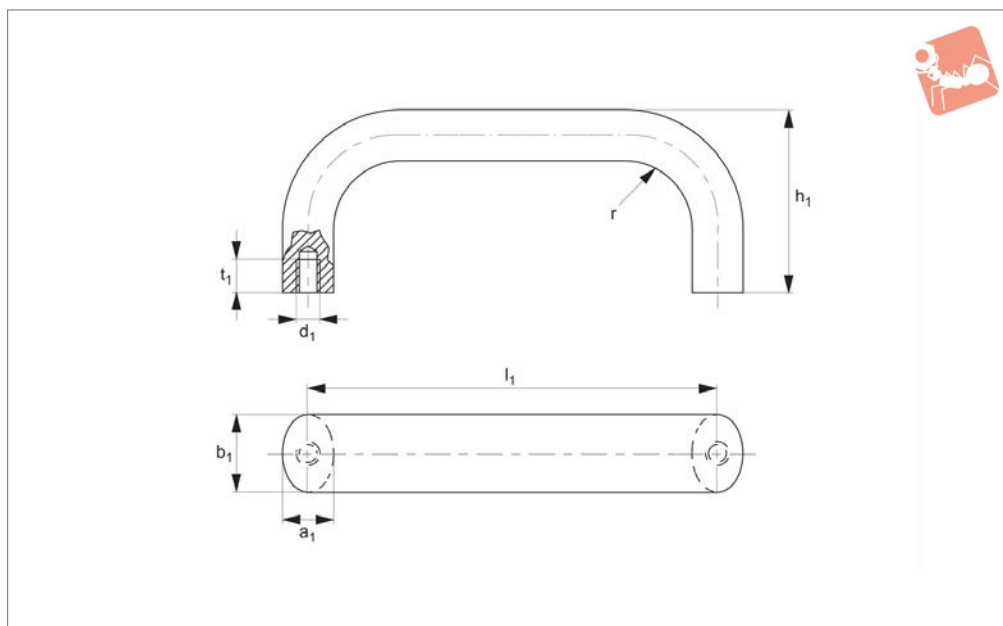
Technical Notes

Minimum stress resistance 1000N.

Order No.	$\varnothing a_1$	l_1	d_1	h_1	t_1
78900.W0064	8	64	M 5x10	35	10
78900.W0088	8	88	M 5x10	35	10
78900.W0100	8	100	M 5x10	35	10
78900.W0120	10	120	M 5x10	40	10
78900.W0180	10	180	M 5x10	40	10
78900.W0250	10	250	M 5x10	40	10
78900.W0350	10	350	M 5x10	40	10
78900.W0400	15	150	M 6x16	55	12
78900.W0410	15	200	M 6x16	55	12
78900.W0420	15	250	M 6x16	55	12
78900.W0430	15	300	M 6x16	55	12
78900.W0440	15	350	M 6x16	55	12



78910



Material

Stainless steel 1.4301, dull blasted

Technical Notes

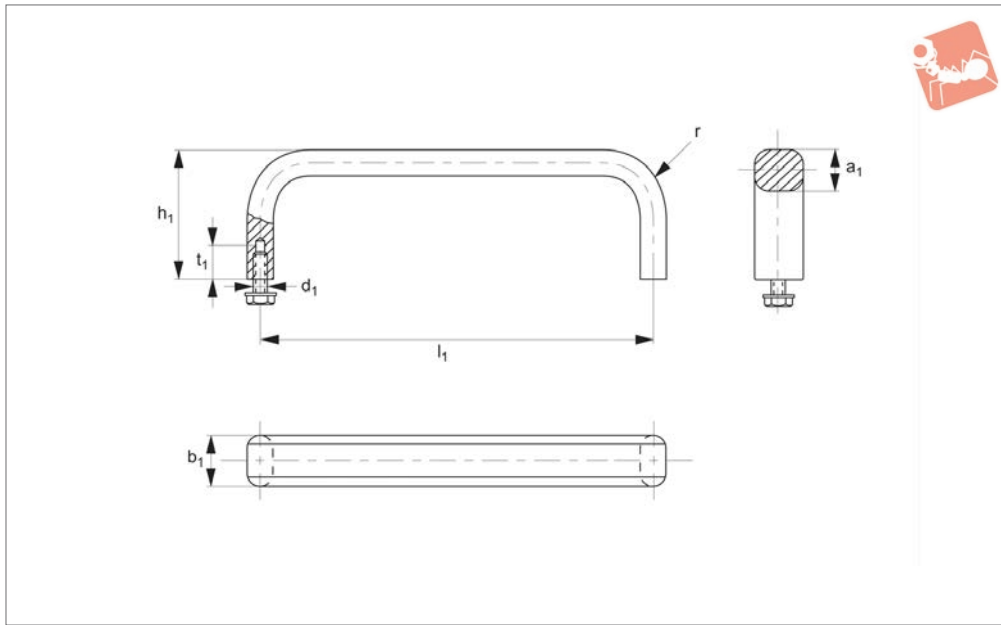
Ergonomic design offering high stability and smooth surfaces.

Order No.	l_1	a_1	b_1	d_1	h_1	R	t_1	Weight g
78910.W0510	112	13	20	M 6	49	13	10	270
78910.W0520	128	13	20	M 6	51	13	10	305
78910.W0530	160	13	20	M 6	51	13	10	366
78910.W0540	200	13	20	M 6	51	13	10	440
78910.W0550	250	13	20	M 6	51	13	10	517
78910.W0560	300	13	20	M 6	51	13	10	597
78910.W0580	400	13	20	M 6	51	13	10	737



Pull Handles - Oval Type

stainless steel



78920

PULL HANDLES

Material

Stainless steel X12 CrNiS 18 8, 1.4305 (AISI 303).

Finish: vibration ground with a semi-matte finish.

Technical Notes

Supplied with hex screws DIN 933 and suitable washer. Minimum stress resistance >1000N.

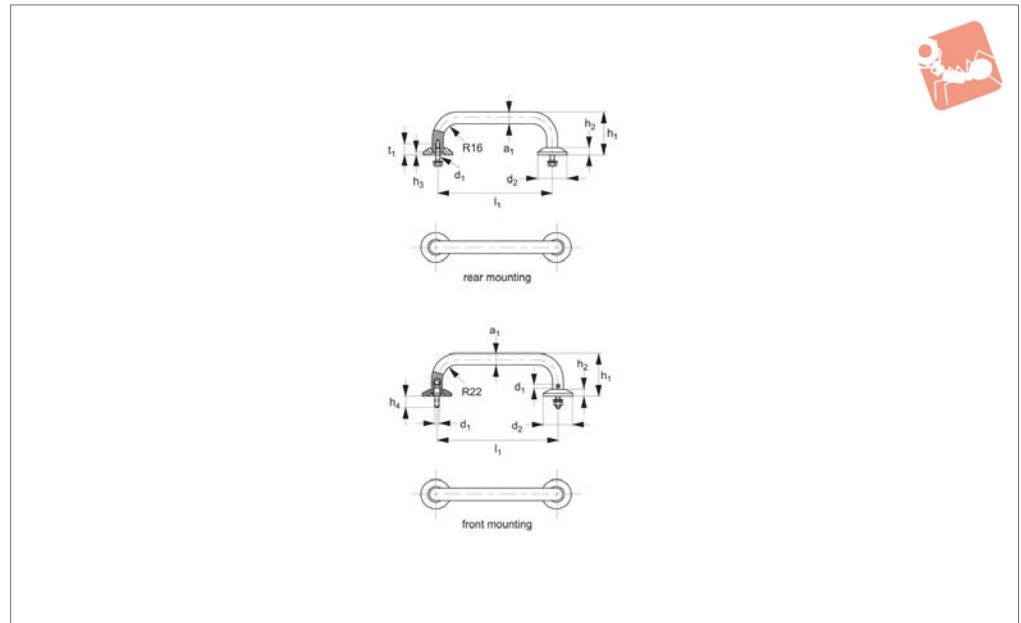
Tips

Attractively shaped handles for all applications, with high corrosive and chemical resistance. Other dimensions on request.

Order No.	Type	l_1	a_1	b_1	d_1	h_1	r	t_1
78920.W0010	Narrow	100	8	12.0	M_5x10	40	22	10
78920.W0012	Narrow	120	8	12.0	M_5x10	40	22	10
78920.W0015	Narrow	150	8	12.0	M_5x10	40	22	10
78920.W0018	Narrow	180	8	12.0	M_5x10	40	22	10
78920.W0025	Narrow	250	8	12.0	M_5x10	40	22	10
78920.W0035	Narrow	350	8	12.0	M_5x10	40	22	10
78920.W0110	Wide	100	10	19.5	M_6x12	45	24	12
78920.W0112	Wide	120	10	19.5	M_6x12	45	24	12
78920.W0115	Wide	150	10	19.5	M_6x12	45	24	12
78920.W0118	Wide	180	10	19.5	M_6x12	45	24	12
78920.W0125	Wide	250	10	19.5	M_6x12	45	24	12
78920.W0135	Wide	350	10	19.5	M_6x12	45	24	12



78940



Material

Round stainless steel X12 CrNiS 18 8, material no. 1.4305. Finish: ground and brushed for a matt finish.

DIN 933 and washers.

Rear mounting: supplied with mounting adapter and suitable nuts and washer. Minimum stress resistance >1000N.

required. Other dimensions on request.

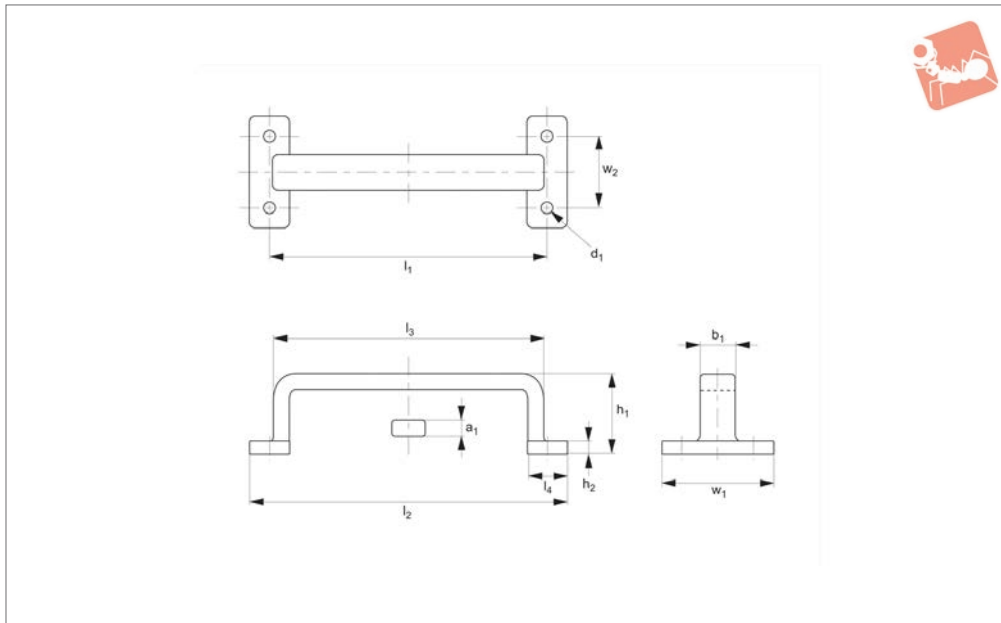
Technical Notes

Front mounting: supplied with hex screws

Tips

Where maximum load-bearing capacity is

Order No.	Type	l_1	a_1	d_1	d_2	h_1	h_2	h_3	h_4	t_1
78940.W0015	Rear Mounting	150	15	M 6 x 20	38	58	9	4	-	16
78940.W0020	Rear Mounting	200	15	M 6 x 20	38	58	9	4	-	16
78940.W0025	Rear Mounting	250	15	M 6 x 20	38	58	9	4	-	16
78940.W0120	Front Mounting	200	20	M 8	50	75	12	5	16	21
78940.W0125	Front Mounting	250	20	M 8	50	75	12	5	16	21
78940.W0130	Front Mounting	300	20	M 8	50	75	12	5	16	21
78940.W0220	Rear Mounting	200	20	M 8 x 25	50	75	12	5	-	-
78940.W0225	Rear Mounting	250	20	M 8 x 25	50	75	12	5	-	-
78940.W0230	Rear Mounting	300	20	M 8 x 25	50	75	12	5	-	-



78950

PULL HANDLES

Material

AISI 316 stainless steel, mirror finish.

Technical Notes

Supplied with stainless steel screws.

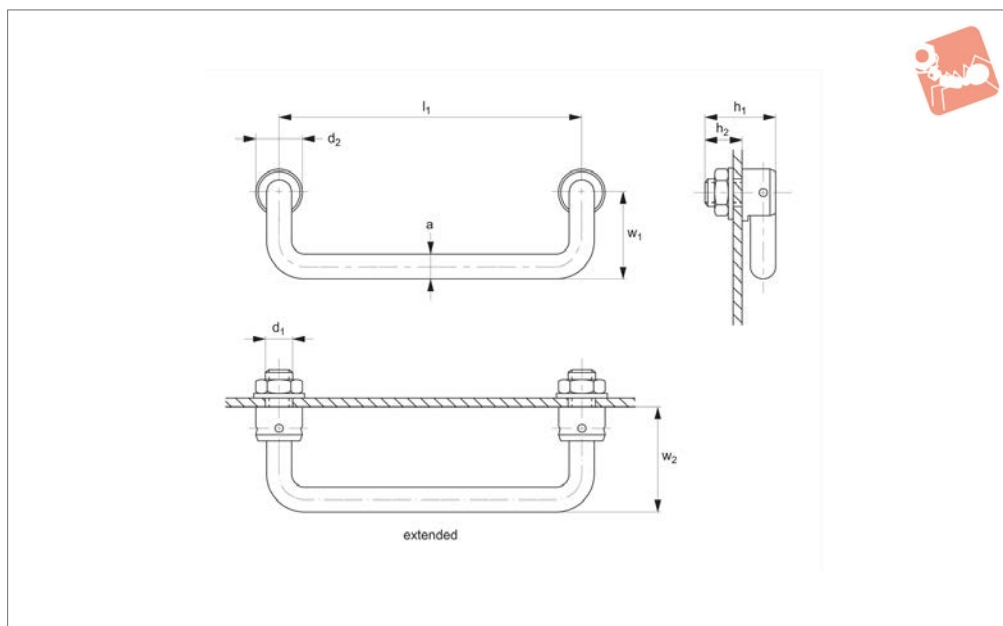
Important Notes

Ideal for harsh and high corrosive environments. Higher profile allows for easy gripping with gloved hand.

Order No.	l_1	l_2	l_3	l_4	a_1	b_1	h_1	h_2	w_1	w_2	Weight g
78950.W0200	175	200	170	25	10	22	50	8	70	45	586
78950.W0280	253	280	250	27	12	26	62	10	80	55	1088



78970



Material

All components made of round bar stainless steel, material no. 1.4305. Finish: vibration ground to a semi-matt finish.

Technical Notes

Spring-arrest in both retracted and extended positions. One piece pivot bushing. Minimum stress resistance 500N.

Tips

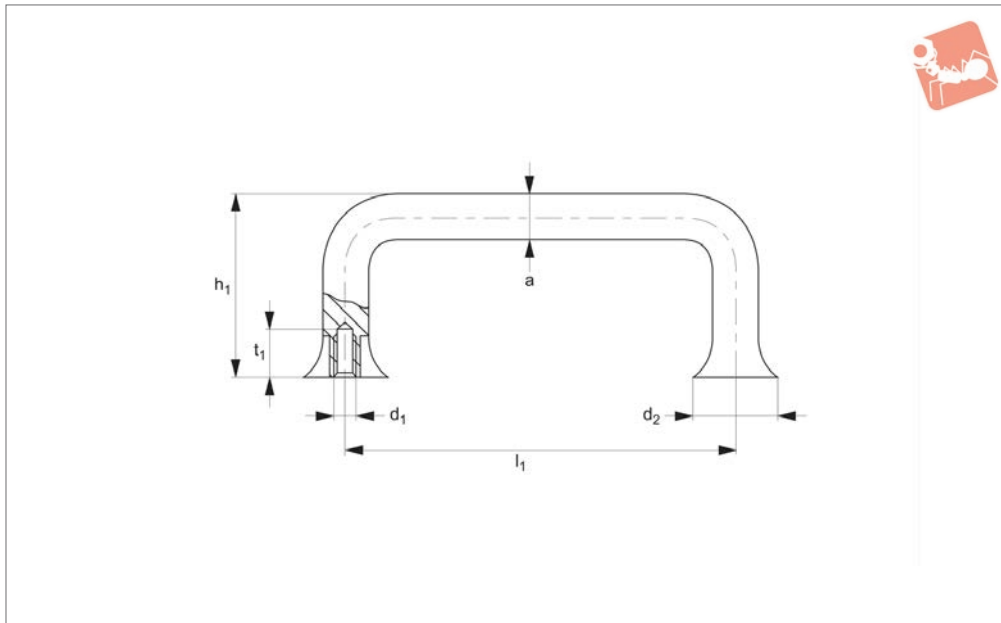
Supplied complete with nuts and washers.

Order No.	l_1	a	d_1	d_2	h_1	h_2	w_1	w_2
78970.W0100	100	10	M10x1	18	28	14	34	43
78970.W0120	120	10	M10x1	18	28	14	34	43
78970.W0180	180	10	M10x1	18	28	14	34	43



Pull Handles

easy to clean, stainless steel



79750

PULL HANDLES

Material

Round bar stainless steel 1.4305 (AISI 303), vibration ground, semi-matte finish. Supplied with stainless steel hex screws, DIN933 and suitable nuts and washers.

Technical Notes

Minimum stress resistance >1000N.

Tips

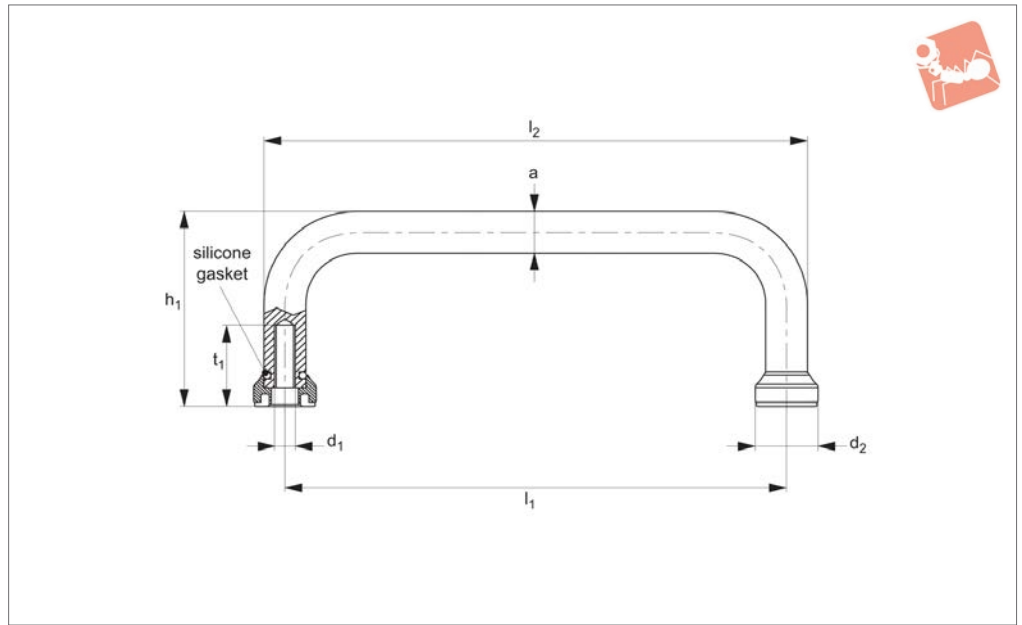
The trumpet like design of the handle base

makes them easy to clean thoroughly. The handles are therefore particularly suitable for hygienic areas.

Order No.	l_1	a	d_1	d_2	h_1	t_1
79750.W0119	120	10	M 5	20	45	10
79750.W0120	120	15	M 6	30	60	12
79750.W0140	140	15	M 6	30	60	12
79750.W0100	100	10	M 5	20	45	10
79750.W0200	200	15	M 6	30	60	12



79760



Material

Round bar stainless steel AISI304
Blue gasket: silicone

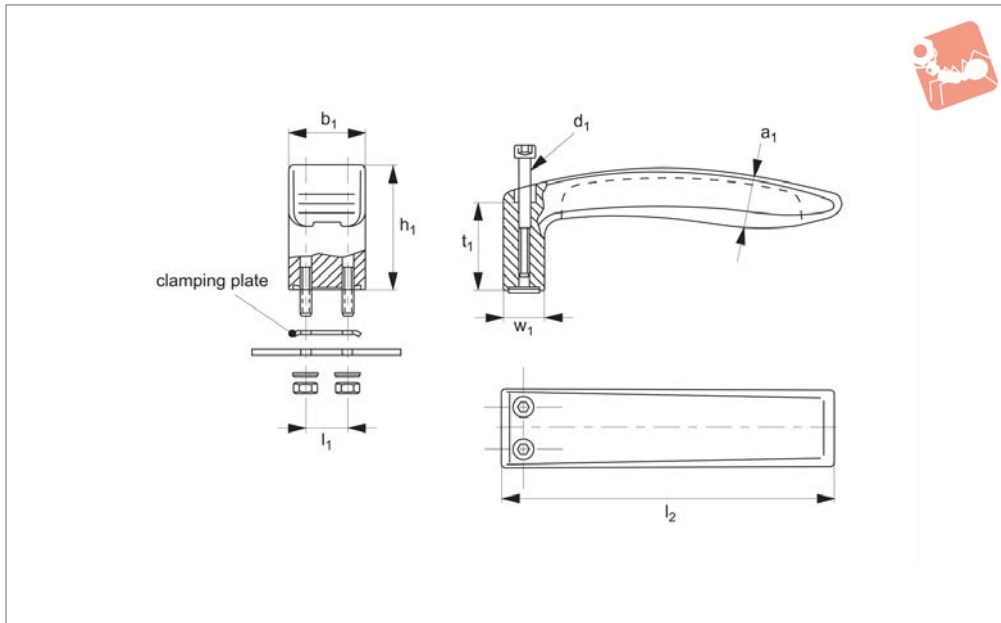
Tips

Made to the high „3A“ standard.

This ensures it meets the high standards required for use in food, beverage, pharmaceutical and medical applications. Hygienically designed for effective and easy cleaning, corrosion resistant, non-

toxic. Design precludes contamination by dirt, food particles and organic matter.

Order No.	l_1	l_2	a	d_1	d_2	h_1	t_1
79760.W0088	88	98	10	M5	15	46	10
79760.W0100	100	110	10	M5	15	46	10
79760.W0120	120	130	10	M5	15	46	10
79760.W0180	180	190	10	M5	15	46	10



78190

PULL HANDLES

Material

Thermoplastic PA 6, glass ball reinforced, matt black.

Technical Notes

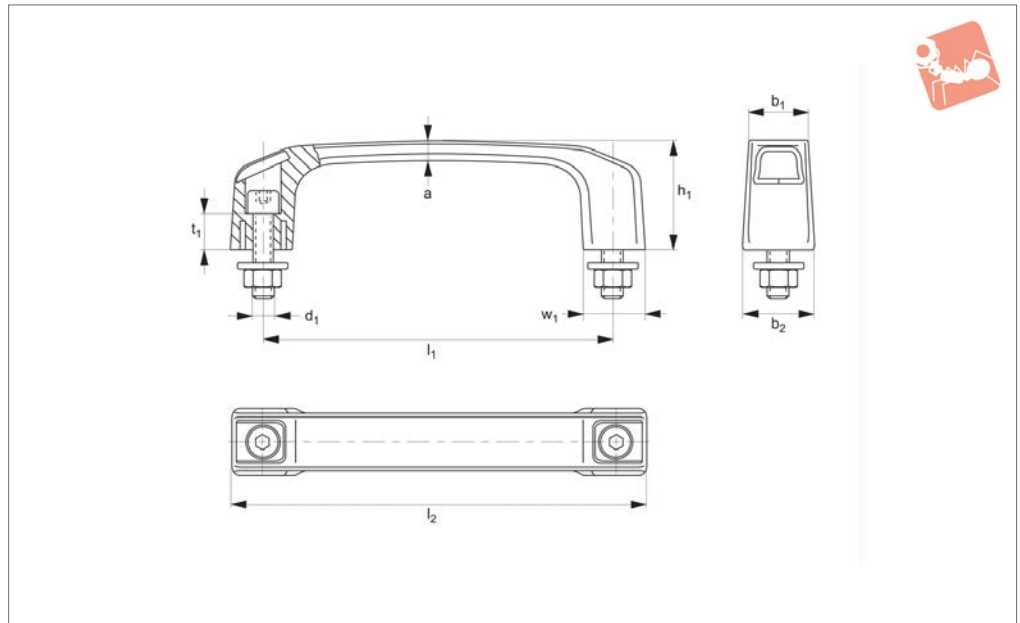
Ideal for applications where one-sided fastening required. Minimum stress resi-

stance 800N per handle.

Order No.	l_1	l_2	a_1	b_1	d_1	h_1	t_1	w_1
78190.W0017	17	128	20	30	M 5x45	48	33	18
78190.W0020	20	154	24	36	M 6x55	58	40	22



79100



PULL HANDLES

Material

Handle: thermoplastic PA 6 glass-ball reinforced. Matt black with attractive fine-grain structure. Blanking caps: in the same surface structure available in black, red, green, blue and yellow.

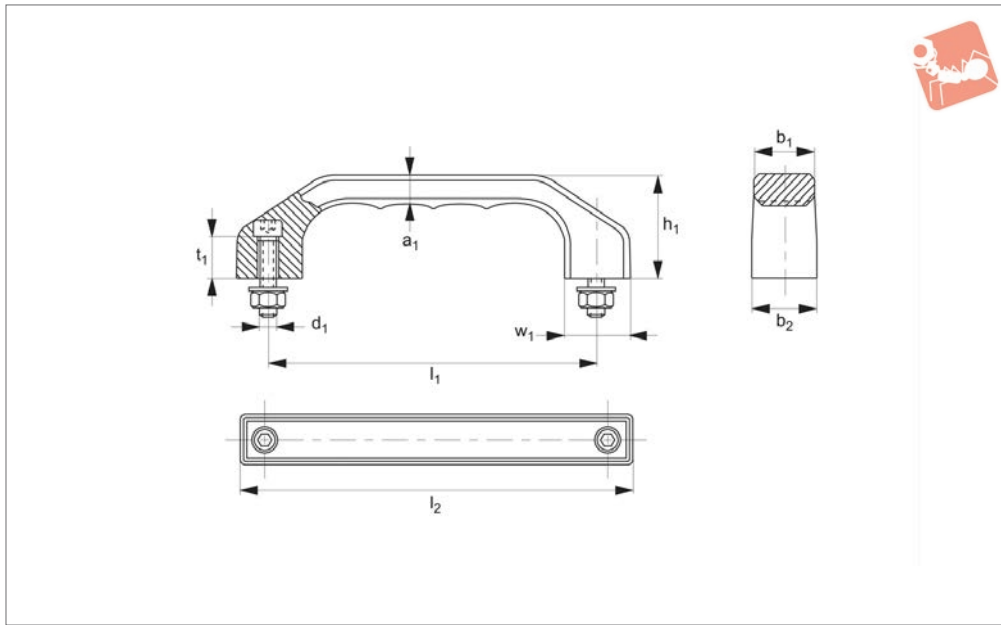
Technical Notes

Includes electrogalvanized socket-head cap bolts DIN 912, nuts DIN 934 and washers DIN 125.
Minimum stress resistance 1000N.

Tips

Red - similar to RAL 3020
Green - similar to RAL 6024
Blue - similar to RAL 5017
Yellow - similar to RAL 1023

Order No.	Cap colour	l_1	l_2	a	b_1	b_2	d_1	h_1	t_1	w_1
79100.W0120-9	Black	120	141	7	21	24	M_6x25	39	13	21
79100.W0140-9	Black	140	164	8	24	28	M_8x30	45	15	24
79100.W0120-3	Red	120	141	7	21	24	M_6x25	39	13	21
79100.W0140-3	Red	140	164	8	24	28	M_8x30	45	15	24
79100.W0120-6	Green	120	141	7	21	24	M_6x25	39	13	21
79100.W0140-6	Green	140	164	8	24	28	M_8x30	45	15	24
79100.W0120-5	Blue	120	141	7	21	24	M_6x25	39	13	21
79100.W0140-5	Blue	140	164	8	24	28	M_8x30	45	15	24
79100.W0120-1	Yellow	120	141	7	21	24	M_6x25	39	13	21
79100.W0140-1	Yellow	140	164	8	24	28	M_8x30	45	15	24
79100.W0120-0	W/o Caps & Screws	120	141	7	21	24	M_6x25	39	13	21
79100.W0140-0	W/o Caps & Screws	140	164	8	24	28	M_8x30	45	15	24



79120

PULL HANDLES

Material

Solid thermoplastic PA 6, glass ball reinforced. Matt black or orange with attractive, fine grain structure.

Technical Notes

Including hex screws DIN912 with suitable

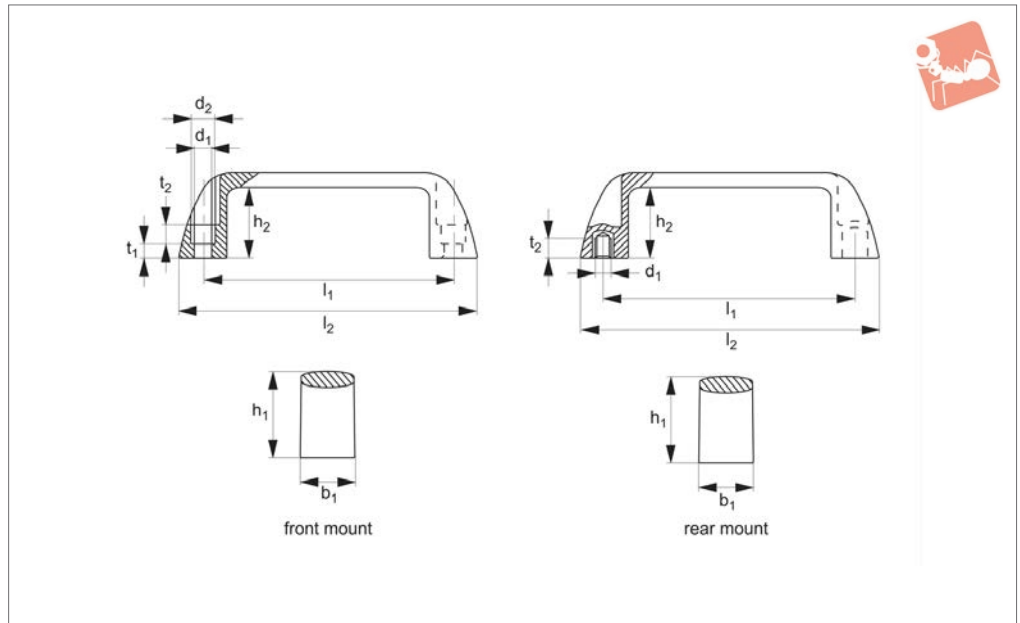
nuts and washer. Solid plastic. Modern industrial design for the highest demands. Extremely resistant to torsion and easy to grip. Minimum stress resistance >1000N. And scope of supply.

Including black galvanised cheese head screws (chromium VI free) with hexagon sockets DIN 912 and galvanised nuts DIN 934 with washers DIN 125.

Order No.	Finish	l_1	l_2	a_1	b_1	b_2	d_1	h_1	t_1	w_1
79120.W0100-8	Black	100	122	8.5	17.0	19	M 5x22	33	13	20
79120.W0120-8	Black	120	146	10.5	20.5	24	M 6x25	39	15	24
79120.W0140-8	Black	140	170	12.0	24.0	27	M 8x30	45	16	28
79120.W0160-8	Black	160	194	13.5	27.5	31	M 8x35	52	20	32
79120.W0180-8	Black	180	218	15.5	31.0	35	M10x40	58	20	36
79120.W0100-0	Orange	100	122	8.5	17.0	19	M 5x22	33	13	20
79120.W0120-0	Orange	120	146	10.5	20.5	24	M 6 x25	39	15	24
79120.W0140-0	Orange	140	170	12.0	24.0	27	M 8 x30	45	16	28
79120.W0160-0	Orange	160	194	13.5	27.5	31	M 8x35	52	20	32
79120.W0180-0	Orange	180	218	15.5	31.0	35	M10x40	58	20	36



79150



Material

Thermoplastic, black, matt, glass fibre reinforced.

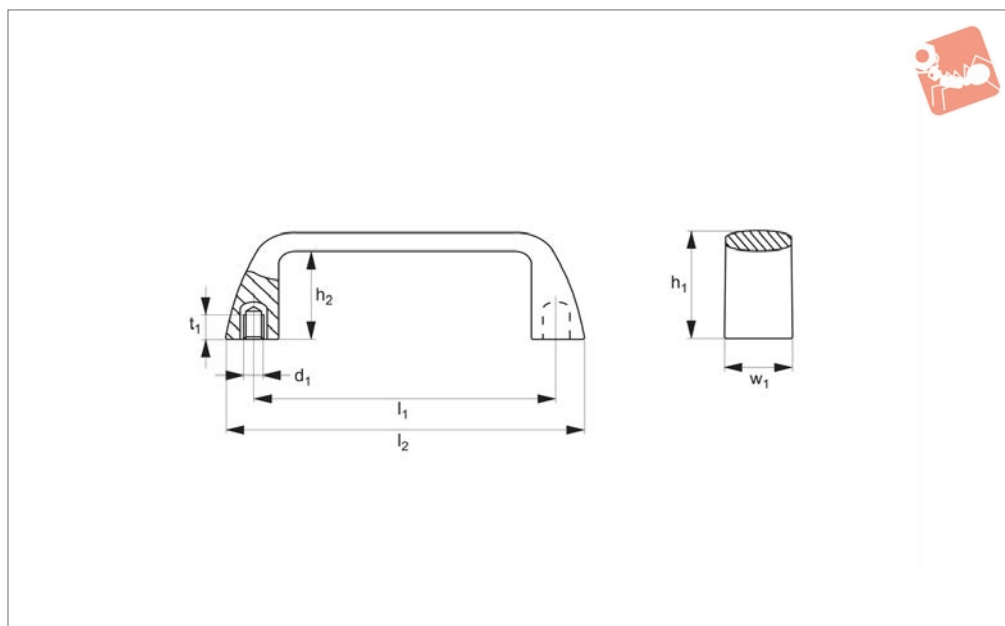
Threaded bush: brass.

Technical Notes

Other colours on request: red, orange,

white & grey - subject to minimum quantity.

Order No.	Type	l ₁	l ₂	b ₁	d ₂	h ₁	h ₂	t ₁	t ₂	Ø d ₁	Weight g
79150.W0010	Front Mount	93.5	112	21	Ø10,5	36	30	6	7	6.5	26
79150.W0011	Front Mount	117.0	139	26	Ø10,5	41	34	6	9	6.5	41
79150.W0012	Front Mount	117.0	139	26	Ø13,0	41	34	6	9	8.5	40
79150.W0013	Front Mount	132.0	156	27	Ø10,5	45	37	9	7	6.5	56
79150.W0014	Front Mount	132.0	156	27	Ø13,0	45	37	7	9	8.5	54
79150.W0018	Front Mount	179.0	204	28	Ø13,0	50	42	8	9	8.5	72
79150.W0509	Rear Mount	93.5	112	21	-	36	30	-	9	M 5	33
79150.W0510	Rear Mount	93.5	112	21	-	36	30	-	9	M 6	33
79150.W0511	Rear Mount	117.0	139	26	-	41	34	-	9	M 6	47
79150.W0512	Rear Mount	117.0	139	26	-	41	34	-	9	M 8	49
79150.W0513	Rear Mount	132.0	156	27	-	45	37	-	9	M 6	62
79150.W0514	Rear Mount	132.0	156	27	-	45	37	-	9	M 8	64
79150.W0518	Rear Mount	179.0	204	28	-	50	42	-	9	M 8	82



79180

PULL HANDLES

Material

Thermoplastic, black, matt. Glass fibre reinforced.

Brass insert with tapped blind hole.

Technical Notes

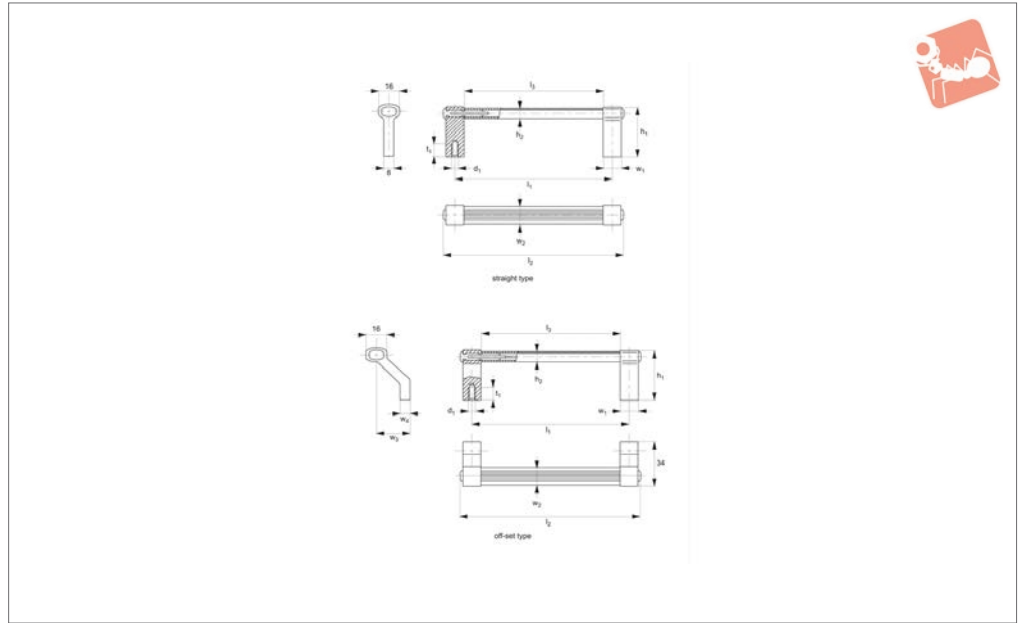
Other colours on request:- red, orange,

white & grey - subject to minimum quantity.

Order No.	l_1	l_2	d_1	h_1	h_2	t_1	w_1	Weight g
79180.W0009	105	121	M 5	37	29	9	26	46
79180.W0010	105	121	M 6	37	29	9	26	48
79180.W0011	110	133	M 5	40	32	9	26	58
79180.W0012	110	133	M 6	40	32	9	26	60
79180.W0016	117	133	M 5	40	32	9	26	57
79180.W0017	117	133	M 6	40	32	9	26	59
79180.W0018	117	133	M 8	40	32	9	26	61



79200



Material

Handle shank and grip: profiled aluminium Al Mg Si 0,5. Connecting moulded components made of black polyamide with stainless steel pin.
Handle shank vibration ground and matte

finished. Grip

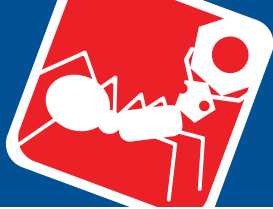
Technical Notes

Minimum stress resistance 1000N. Handle with tangent bent aluminium shanks, completely assembled.

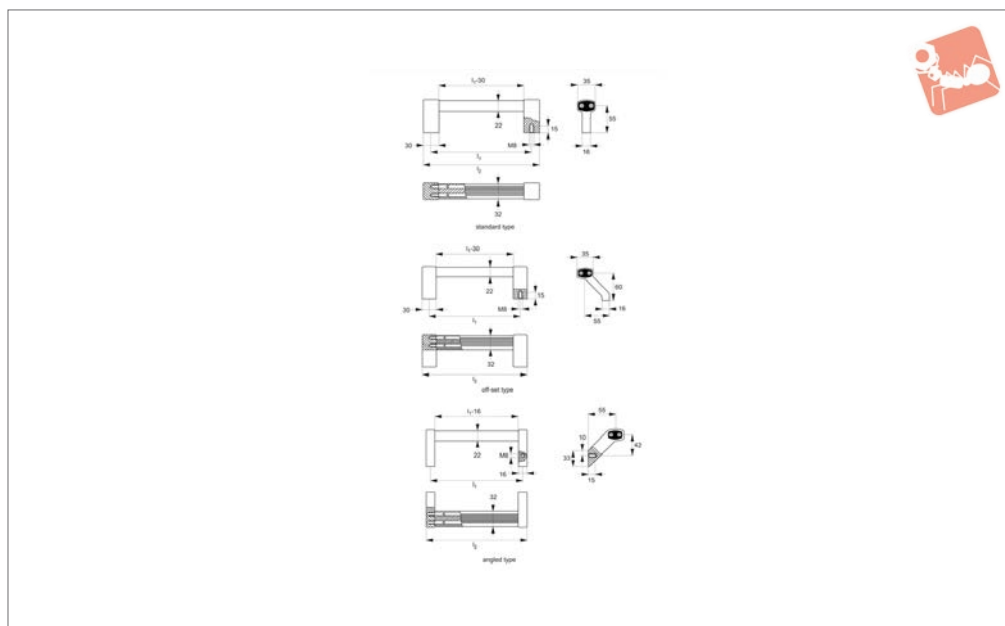
Tips

For 19" front panels and appliances. Provides high stability under load. Black grips available on request.

Order No.	Colour	Type	l_1	l_2	l_3	d_1	h_1	h_2	t_1	w_1	w_2	w_3	w_4
79200.W0055-0	Natural	Straight	55	73	41	M 5	40	9	10	14	14	-	-
79200.W0055-1	Black	Straight	55	73	41	M 5	40	9	10	14	14	-	-
79200.W0069-0	Natural	Straight	69	87	55	M 5	40	9	10	14	14	-	-
79200.W0069-1	Black	Straight	69	87	55	M 5	40	9	10	14	14	-	-
79200.W0088-0	Natural	Straight	88	106	74	M 5	40	9	10	14	14	-	-
79200.W0088-1	Black	Straight	88	106	74	M 5	40	9	10	14	14	-	-
79200.W0100-0	Natural	Straight	100	118	86	M 5	40	9	10	14	14	-	-
79200.W0100-1	Black	Straight	100	118	86	M 5	40	9	10	14	14	-	-
79200.W0114-0	Natural	Straight	114	132	100	M 5	40	9	10	14	14	-	-
79200.W0114-1	Black	Straight	114	132	100	M 5	40	9	10	14	14	-	-
79200.W0120-0	Natural	Straight	120	138	104	M 5	40	9	10	14	14	-	-
79200.W0120-1	Black	Straight	120	138	104	M 5	40	9	10	14	14	-	-
79200.W0180-0	Natural	Straight	180	198	166	M 5	40	9	10	14	14	-	-
79200.W0180-1	Black	Straight	180	198	166	M 5	40	9	10	14	14	-	-
79200.W0555-0	Natural	Offset	55	73	41	M 5	40	9	10	14	14	22	8
79200.W0555-1	Black	Offset	55	73	41	M 5	40	9	10	14	14	22	8
79200.W0569-0	Natural	Offset	69	87	55	M 5	40	9	10	14	14	22	8
79200.W0569-1	Black	Offset	69	87	55	M 5	40	9	10	14	14	22	8
79200.W0588-0	Natural	Offset	88	106	74	M 5	40	9	10	14	14	22	8
79200.W0588-1	Black	Offset	88	106	74	M 5	40	9	10	14	14	22	8
79200.W0600-0	Natural	Offset	100	118	86	M 5	40	9	10	14	14	22	8
79200.W0600-1	Black	Offset	100	118	86	M 5	40	9	10	14	14	22	8
79200.W0614-0	Natural	Offset	114	132	100	M 5	40	9	10	14	14	22	8
79200.W0614-1	Black	Offset	114	132	100	M 5	40	9	10	14	14	22	8
79200.W0620-0	Natural	Offset	120	138	104	M 5	40	9	10	14	14	22	8
79200.W0620-1	Black	Offset	120	138	104	M 5	40	9	10	14	14	22	8
79200.W0680-0	Natural	Offset	180	198	166	M 5	40	9	10	14	14	22	8
79200.W0680-1	Black	Offset	180	198	166	M 5	40	9	10	14	14	22	8



Pull Handles - Heavy Duty aluminium



79210

PULL HANDLES

Material

Handle shank and grip: aluminium section Al Mg Si 0,5. Glass bead blasted and semi-glossed, anodised.

and suitable washers. Minimum stress resistance >1000N.

Technical Notes

Supplied with hex screws DIN 933, M8x16

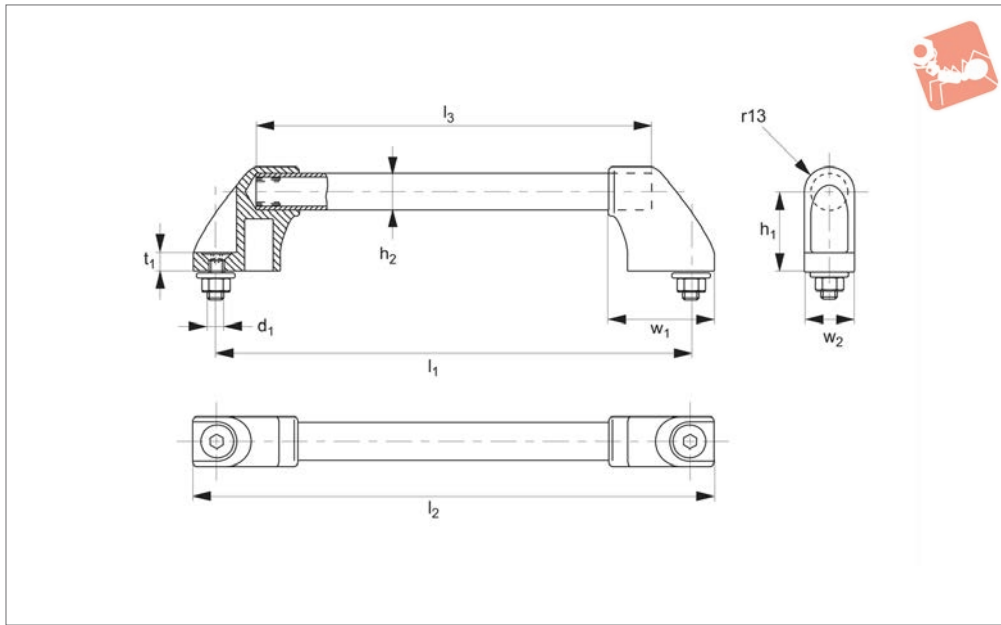
Tips

Black grips available on request. Any desired handle lengths and surfaces available on request.

Order No.	Type	Grip finish	Shank finish	l_1	l_2
79210.W0020-0	Straight	Natural	Natural	200	230
79210.W0020-1	Straight	Natural	Black	200	230
79210.W0025-0	Straight	Natural	Natural	250	280
79210.W0025-1	Straight	Natural	Black	250	280
79210.W0030-0	Straight	Natural	Natural	300	330
79210.W0030-1	Straight	Natural	Black	300	330
79210.W0035-0	Straight	Natural	Natural	350	380
79210.W0035-1	Straight	Natural	Black	350	380
79210.W0040-0	Straight	Natural	Natural	400	430
79210.W0040-1	Straight	Natural	Black	400	430
79210.W0050-0	Straight	Natural	Natural	500	530
79210.W0050-1	Straight	Natural	Black	500	530
79210.W0060-0	Straight	Natural	Natural	600	630
79210.W0060-1	Straight	Natural	Black	600	630
79210.W0220-0	Offset	Natural	Natural	200	230
79210.W0220-1	Offset	Natural	Black	200	230
79210.W0225-0	Offset	Natural	Natural	250	280
79210.W0225-1	Offset	Natural	Black	250	280
79210.W0230-0	Offset	Natural	Natural	300	330
79210.W0230-1	Offset	Natural	Black	300	330
79210.W0235-0	Offset	Natural	Natural	350	380
79210.W0235-1	Offset	Natural	Black	350	380
79210.W0240-0	Offset	Natural	Natural	400	430
79210.W0240-1	Offset	Natural	Black	400	430
79210.W0250-0	Offset	Natural	Natural	500	530
79210.W0250-1	Offset	Natural	Black	500	530
79210.W0260-0	Offset	Natural	Natural	600	630
79210.W0260-1	Offset	Natural	Black	600	630
79210.W0420-0	Angled	Natural	Natural	200	230
79210.W0420-1	Angled	Natural	Black	200	230
79210.W0425-0	Angled	Natural	Natural	250	280
79210.W0425-1	Angled	Natural	Black	250	280



Order No.	Type	Grip finish	Shank finish	l ₁	l ₂
79210.W0430-0	Angled	Natural	Natural	300	330
79210.W0430-1	Angled	Natural	Black	300	330
79210.W0435-0	Angled	Natural	Natural	350	380
79210.W0435-1	Angled	Natural	Black	350	380
79210.W0440-0	Angled	Natural	Natural	400	430
79210.W0440-1	Angled	Natural	Black	400	430
79210.W0450-0	Angled	Natural	Natural	500	530
79210.W0450-1	Angled	Natural	Black	500	530
79210.W0460-0	Angled	Natural	Natural	600	630
79210.W0460-1	Angled	Natural	Black	600	630



79240

PULL HANDLES

Material

Handle shank: polyamide, PA 6 glass ball reinforced, black, semi-matt, with fine structure.
 Connecting tube: aluminium ALMgSi 0.5, ground and anodized in natural colour or

with grooved plastic cover.

Technical Notes

Supplied with hex screws DIN 7991 M8 x 20, and suitable nuts and washers.
 Minimum stress resistance 500N.

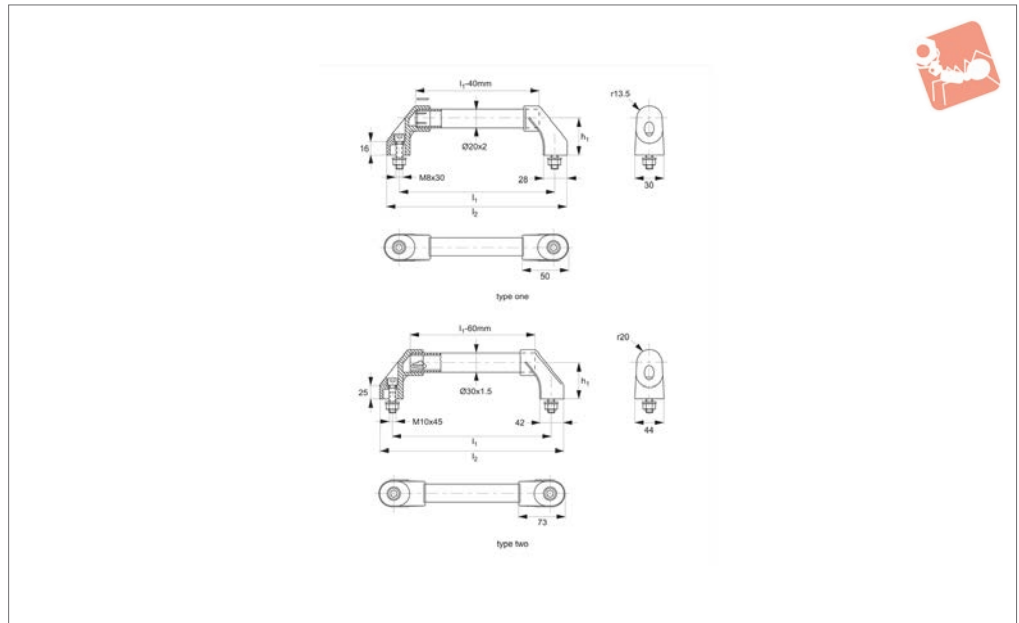
Tips

The handle shank is fitted with 4 clamping pins, when the connection tube is pressed in the pins form around the tube and provide a firm hold.

Order No.	Finish	l_1	l_2	l_3	d_1	h_1	h_2	t_1	w_1	w_2
79240.W0010	Natural	180	204	140	M 8 x 20	42	Ø20 x 2	10	55	26
79240.W0020	Natural	200	224	160	M 8 x 20	42	Ø20 x 2	10	55	26
79240.W0025	Natural	250	274	210	M 8 x 20	42	Ø20 x 2	10	55	26
79240.W0030	Natural	300	324	260	M 8 x 20	42	Ø20 x 2	10	55	26
79240.W0035	Natural	350	374	310	M 8 x 20	42	Ø20 x 2	10	55	26
79240.W0040	Natural	400	424	360	M 8 x 20	42	Ø20 x 2	10	55	26
79240.W0050	Natural	500	524	460	M 8 x 20	42	Ø20 x 2	10	55	26
79240.W0060	Natural	600	624	560	M 8 x 20	42	Ø20 x 2	10	55	26
79240.W0110	Plastic	180	204	140	M 8 x 20	42	Ø20 x 2	10	55	26
79240.W0120	Plastic	200	224	160	M 8 x 20	42	Ø20 x 2	10	55	26
79240.W0125	Plastic	250	274	210	M 8 x 20	42	Ø20 x 2	10	55	26
79240.W0130	Plastic	300	324	260	M 8 x 20	42	Ø20 x 2	10	55	26
79240.W0135	Plastic	350	374	310	M 8 x 20	42	Ø20 x 2	10	55	26
79240.W0140	Plastic	400	424	360	M 8 x 20	42	Ø20 x 2	10	55	26
79240.W0150	Plastic	500	524	460	M 8 x 20	42	Ø20 x 2	10	55	26
79240.W0160	Plastic	600	624	560	M 8 x 20	42	Ø20 x 2	10	55	26



79250



Material

Handle shank: polyamide, PA 6 glass ball reinforced, black, semi-matt with fine structure.

Connection tube: aluminium Al Mg Si 0,5.
Surface finishes: ground and anodised in natural colour. Grooved plastic cover,

black. Powder coated, black.

Technical Notes

Type one: supplied with hex screws DIN 912 M8x30, and suitable nuts and washers.

Type two: supplied with hex screws DIN912 M10x45 and suitable nuts and washers.

Minimum stress resistance 1000N.

Tips

The handle shank is fitted with 4 clamping pins, when the connection tube is pressed in the pins form around the tube and provide a firm hold.

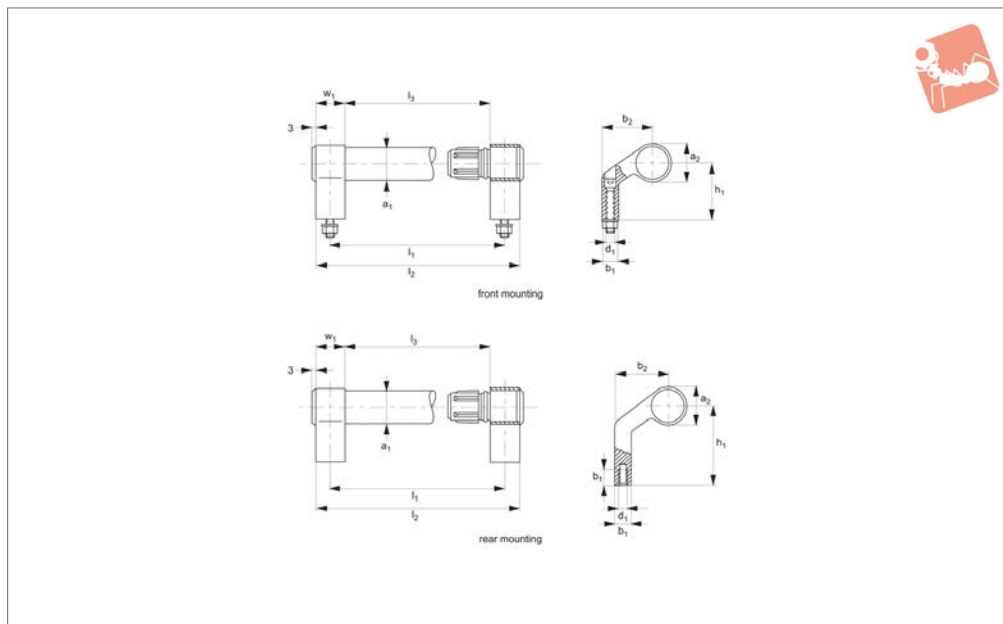
Order No.	Type	Finish	l_1	l_2	h_1 height to centre
79250.W0018	One	Natural	180	210	42
79250.W0020	One	Natural	200	230	42
79250.W0025	One	Natural	250	280	42
79250.W0030	One	Natural	300	330	42
79250.W0035	One	Natural	350	380	42
79250.W0040	One	Natural	400	430	42
79250.W0050	One	Natural	500	530	42
79250.W0060	One	Natural	600	630	42
79250.W0118	One	Plastic Coat	180	210	42
79250.W0120	One	Plastic Coat	200	230	42
79250.W0125	One	Plastic Coat	250	280	42
79250.W0130	One	Plastic Coat	300	330	42
79250.W0135	One	Plastic Coat	350	380	42
79250.W0140	One	Plastic Coat	400	430	42
79250.W0150	One	Plastic Coat	500	530	42
79250.W0160	One	Plastic Coat	600	630	42
79250.W0218	One	Powder Coat	180	210	42
79250.W0220	One	Powder Coat	200	230	42
79250.W0225	One	Powder Coat	250	280	42
79250.W0230	One	Powder Coat	300	330	42
79250.W0235	One	Powder Coat	350	380	42
79250.W0240	One	Powder Coat	400	430	42
79250.W0250	One	Powder Coat	500	530	42
79250.W0260	One	Powder Coat	600	630	42
79250.W0525	Two	Natural	250	294	60
79250.W0530	Two	Natural	300	344	60
79250.W0535	Two	Natural	350	394	60
79250.W0540	Two	Natural	400	444	60
79250.W0550	Two	Natural	500	544	60
79250.W0560	Two	Natural	600	644	60
79250.W0625	Two	Plastic Coat	250	294	60



Order No.	Type	Finish	l_1	l_2	h_1 height to centre
79250.W0630	Two	Plastic Coat	300	344	60
79250.W0635	Two	Plastic Coat	350	394	60
79250.W0640	Two	Plastic Coat	400	444	60
79250.W0650	Two	Plastic Coat	500	544	60
79250.W0660	Two	Plastic Coat	600	644	60
79250.W0725	Two	Powder Coat	250	294	60
79250.W0730	Two	Powder Coat	300	344	60
79250.W0735	Two	Powder Coat	350	394	60
79250.W0740	Two	Powder Coat	400	444	60
79250.W0750	Two	Powder Coat	500	544	60
79250.W0760	Two	Powder Coat	600	644	60



79270



Material

Handle shank: extruded aluminium AL Mg Si 0,5. Anodised, matt black. Insert of black reinforced polyamide (PA6).
Connecting tube: aluminium AL Mg Si 0,5

Ø30 x 1,5mm. Precision ground and anodised.

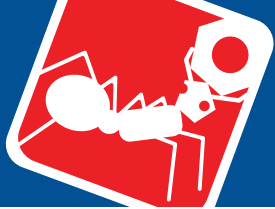
Technical Notes

Minimum stress resistance >1000N. Wide

shank includes stainless steel cylinder head socket screws M6x45 DIN 912, nuts DIN 934 and washers DIN 125.

Order No.	Mounting type	Shank finish	Shank type	Tube finish	l_1	l_2	l_3
79270.W0020-1	Rear	Black	Narrow	Natural	200	225	175
79270.W0025-1	Rear	Black	Narrow	Natural	250	275	225
79270.W0030-1	Rear	Black	Narrow	Natural	300	325	275
79270.W0035-1	Rear	Black	Narrow	Natural	350	375	325
79270.W0040-1	Rear	Black	Narrow	Natural	400	425	375
79270.W0050-1	Rear	Black	Narrow	Natural	500	525	475
79270.W0060-1	Rear	Black	Narrow	Natural	600	625	575
79270.W0520-1	Rear	Black	Wide	Natural	200	250	150
79270.W0525-1	Rear	Black	Wide	Natural	250	300	200
79270.W0530-1	Rear	Black	Wide	Natural	300	350	250
79270.W0535-1	Rear	Black	Wide	Natural	350	400	300
79270.W0540-1	Rear	Black	Wide	Natural	400	450	350
79270.W0550-1	Rear	Black	Wide	Natural	500	550	450
79270.W0560-1	Rear	Black	Wide	Natural	600	650	550
79270.W0020-4	Front	Black	Narrow	Black	200	225	175
79270.W0025-4	Front	Black	Narrow	Black	250	275	225
79270.W0030-4	Front	Black	Narrow	Black	300	325	275
79270.W0035-4	Front	Black	Narrow	Black	350	375	325
79270.W0040-4	Front	Black	Narrow	Black	400	425	375
79270.W0050-4	Front	Black	Narrow	Black	500	525	475
79270.W0060-4	Front	Black	Narrow	Black	600	625	575

Order No.	a_1	a_2	b_1	b_2	d_1	h_1	t_1	w_1
79270.W0020-1	Ø30 x 1,5	33	15	45	M 8	50	15	25
79270.W0025-1	Ø30 x 1,5	33	15	45	M 8	50	15	25
79270.W0030-1	Ø30 x 1,5	33	15	45	M 8	50	15	25
79270.W0035-1	Ø30 x 1,5	33	15	45	M 8	50	15	25
79270.W0040-1	Ø30 x 1,5	33	15	45	M 8	50	15	25
79270.W0050-1	Ø30 x 1,5	33	15	45	M 8	50	15	25
79270.W0060-1	Ø30 x 1,5	33	15	45	M 8	50	15	25
79270.W0520-1	Ø30 x 1,5	33	15	45	M 8	50	15	50
79270.W0525-1	Ø30 x 1,5	33	15	45	M 8	50	15	50
79270.W0530-1	Ø30 x 1,5	33	15	45	M 8	50	15	50



Pull Handle System

aluminium

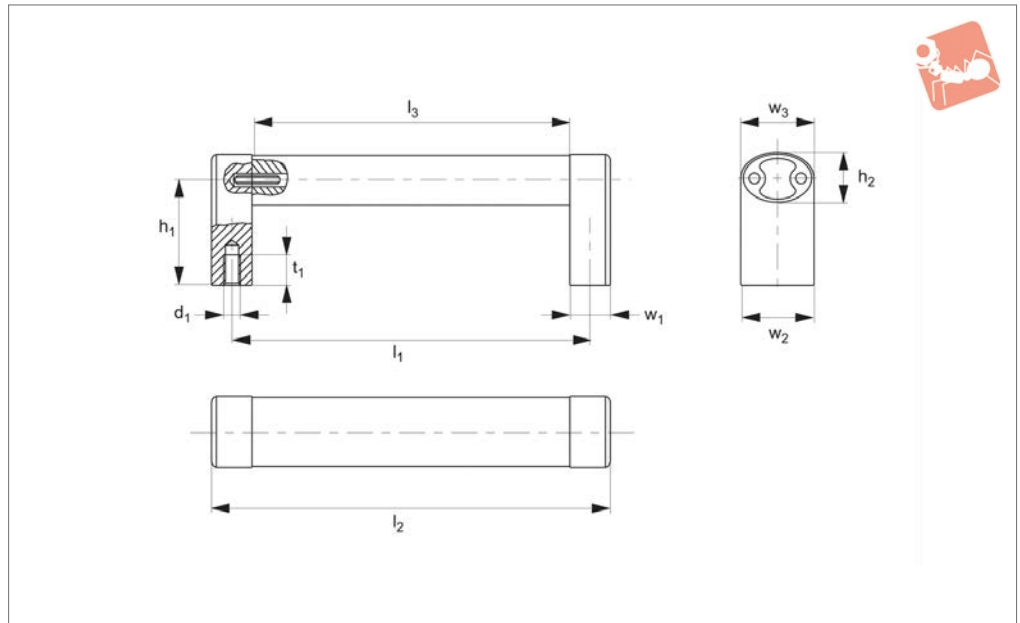


Order No.	a ₁	a ₂	b ₁	b ₂	d ₁	h ₁	t ₁	w ₁
79270.W0535-1	Ø30 x 1,5	33	15	45	M 8	50	15	50
79270.W0540-1	Ø30 x 1,5	33	15	45	M 8	50	15	50
79270.W0550-1	Ø30 x 1,5	33	15	45	M 8	50	15	50
79270.W0560-1	Ø30 x 1,5	33	15	45	M 8	50	15	50
79270.W0020-4	Ø30 x 1,5	33	15	45	M 6 x 45	50	15	25
79270.W0025-4	Ø30 x 1,5	33	15	45	M 6 x 45	50	15	25
79270.W0030-4	Ø30 x 1,5	33	15	45	M 6 x 45	50	15	25
79270.W0035-4	Ø30 x 1,5	33	15	45	M 6 x 45	50	15	25
79270.W0040-4	Ø30 x 1,5	33	15	45	M 6 x 45	50	15	25
79270.W0050-4	Ø30 x 1,5	33	15	45	M 6 x 45	50	15	25
79270.W0060-4	Ø30 x 1,5	33	15	45	M 6 x 45	50	15	25

PULL HANDLES



79280



Material

Handle shank and connecting tube: extruded aluminium Al Mg Si 0,5. Anodised matt, natural or black.

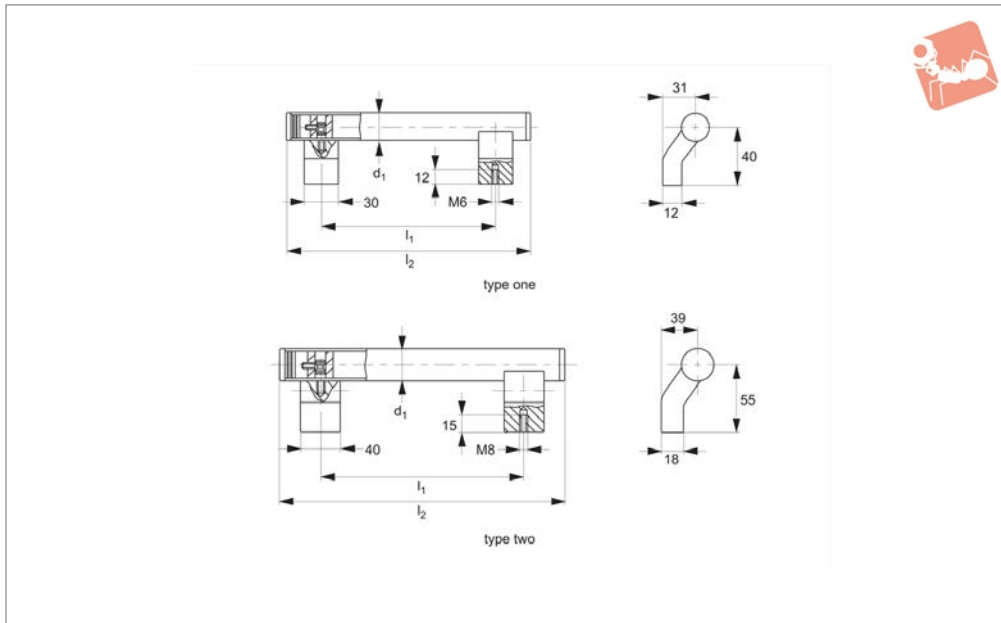
Technical Notes

Minimum stress resistance >1000N.

Important Notes

Other handle lengths or colour combinations on request.

Order No.	Colour	l_1	l_2	l_3	d_1	h_1	h_2	t_1	w_1	w_2	w_3
79280.W0200-1	Natural	200	220	180	M 8	52	25	15	20	36	35
79280.W0200-4	Black	200	220	180	M 8	52	25	15	20	36	35
79280.W0250-1	Natural	250	270	230	M 8	52	25	15	20	36	35
79280.W0250-4	Black	250	270	230	M 8	52	25	15	20	36	35
79280.W0300-1	Natural	300	320	280	M 8	52	25	15	20	36	35
79280.W0300-4	Black	300	320	280	M 8	52	25	15	20	36	35
79280.W0400-1	Natural	400	420	380	M 8	52	25	15	20	36	35
79280.W0400-4	Black	400	420	380	M 8	52	25	15	20	36	35
79280.W0500-1	Natural	500	520	480	M 8	52	25	15	20	36	35
79280.W0500-4	Black	500	520	480	M 8	52	25	15	20	36	35



79290

PULL HANDLES

Material

Type one: handle shank and connecting tube - extruded aluminium Al Mg Si 0,5. Anodized, natural or black. Fixing sleeves of anodised aluminium, clamping screws and pegs made of stainless steel.

Type two: handle shank - extruded aluminium Al Mg Si 0,5, anodized black. Connecting tube: stainless steel.

Technical Notes

Minimum stress resistance >1000N.

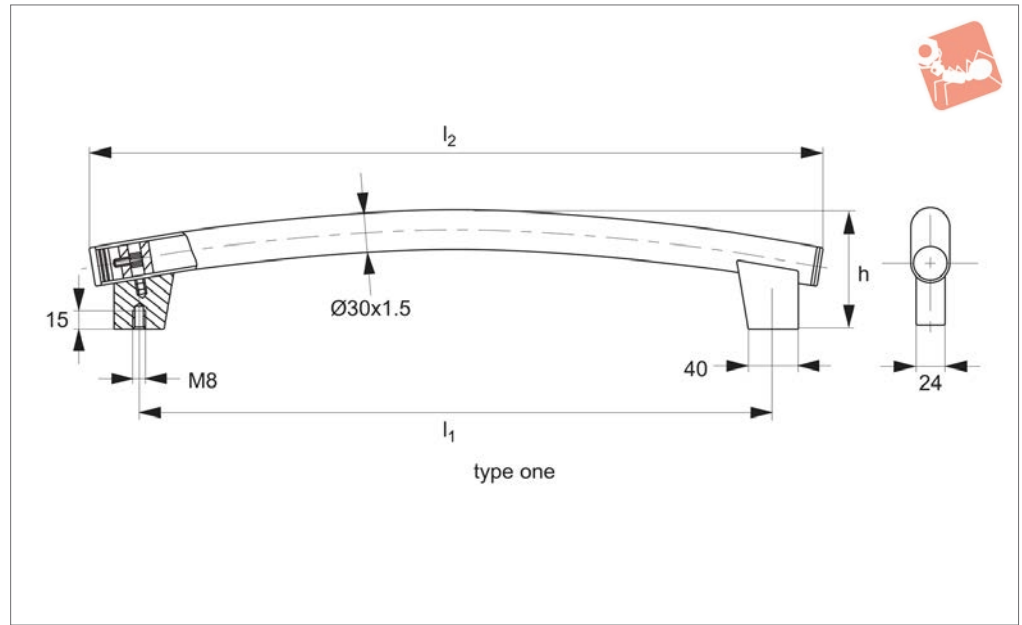
Important Notes

Other handle lengths or colours combinations on request.

Order No.	Colour	Type	l_1	l_2	d_1
79290.W0220-1	Natural	One	200	260	20 x 2,0
79290.W0220-4	Black	One	200	260	20 x 2,0
79290.W0225-1	Natural	One	250	310	20 x 2,0
79290.W0225-4	Black	One	250	310	20 x 2,0
79290.W0230-1	Natural	One	300	360	20 x 2,0
79290.W0230-4	Black	One	300	360	20 x 2,0
79290.W0330-1	Natural	Two	300	390	30 x 1,5
79290.W0330-4	Black	Two	300	390	30 x 1,5
79290.W0335-1	Natural	Two	350	440	30 x 1,5
79290.W0335-4	Black	Two	350	440	30 x 1,5
79290.W0340-1	Natural	Two	400	490	30 x 1,5
79290.W0340-4	Black	Two	400	490	30 x 1,5
79290.W0350-1	Natural	Two	500	590	30 x 1,5
79290.W0350-4	Black	Two	500	590	30 x 1,5
79290.W0360-1	Natural	Two	600	690	30 x 1,5
79290.W0360-4	Black	Two	600	690	30 x 1,5



79310



Material

Connecting tube: stainless steel fine ground, material 1.4301. Tube Ø30 x 1.5mm, end caps material no 1.4305, stainless steel, fine ground.

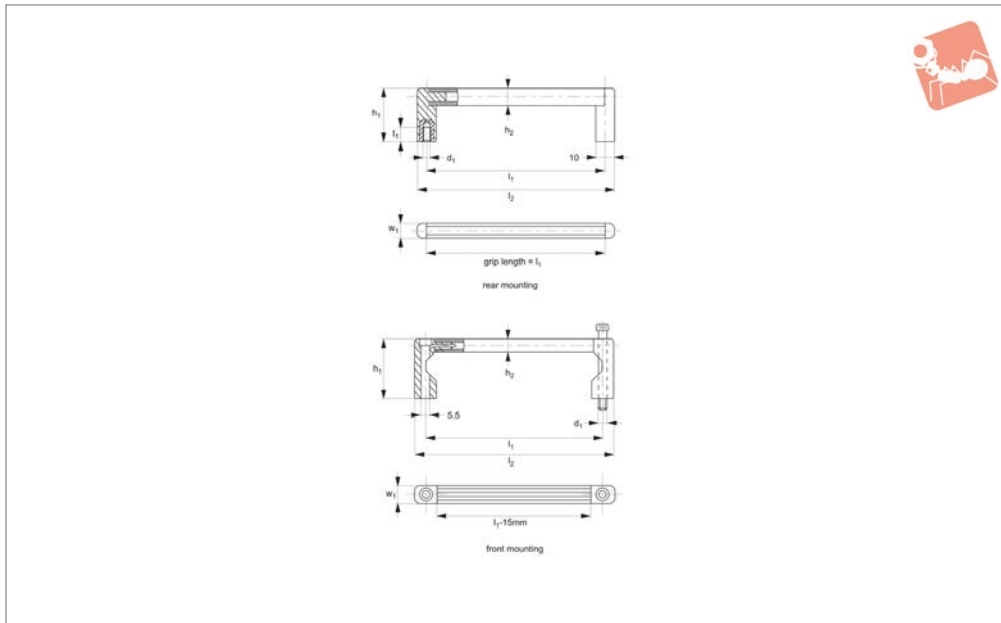
Tube holders: aluminium, AlMgSi 0.5 powder coated with fine structure.

design. Minimum stress resistance > 1000N.

Technical Notes

Bent tube handle in modern industrial

Order No.	Type	l ₁	l ₂	h
79310.W0500	One	500	600	90
79310.W0600	One	600	700	100



79350

PULL HANDLES

Material

Connection tube: special aluminium section, matt finishing in natural colour or black anodized.

Handle shank: heavy-duty polyamide,

glass bead reinforced with fine structure and brass threaded bush. Screw attachment from front, steel plate reinforced.

Technical Notes

Minimum stress resistance 200N.

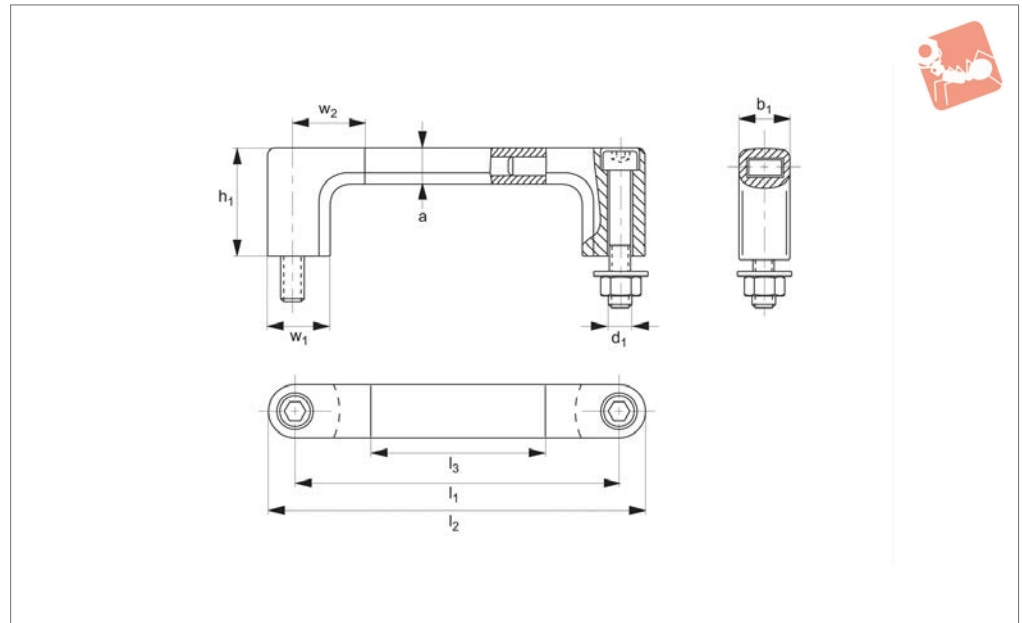
Tips

For small appliances, front panels and

Order No.	Colour	Type	l_1	l_2	d_1	h_1	h_2	t_1	w_1
79350.W0032-1	Natural	Rear Mounting	32	42	M 4	30	9	8	8
79350.W0055-1	Natural	Rear Mounting	55	65	M 4	30	9	8	8
79350.W0062-1	Natural	Rear Mounting	62	72	M 4	30	9	8	8
79350.W0086-1	Natural	Rear Mounting	86	96	M 4	30	9	8	8
79350.W0088-1	Natural	Rear Mounting	88	98	M 4	30	9	8	8
79350.W0090-1	Natural	Rear Mounting	90	100	M 4	30	9	8	8
79350.W0120-1	Natural	Rear Mounting	120	130	M 4	30	9	8	8
79350.W0134-1	Natural	Rear Mounting	134	144	M 4	30	9	8	8
79350.W0032-4	Black	Rear Mounting	32	42	M 4	30	9	8	8
79350.W0055-4	Black	Rear Mounting	55	65	M 4	30	9	8	8
79350.W0062-4	Black	Rear Mounting	62	72	M 4	30	9	8	8
79350.W0086-4	Black	Rear Mounting	86	96	M 4	30	9	8	8
79350.W0088-4	Black	Rear Mounting	88	98	M 4	30	9	8	8
79350.W0090-4	Black	Rear Mounting	90	100	M 4	30	9	8	8
79350.W0120-4	Black	Rear Mounting	120	130	M 4	30	9	8	8
79350.W0134-4	Black	Rear Mounting	134	144	M 4	30	9	8	8
79350.W0255-1	Natural	Front Mounting	55	70	M 5	40	9	-	12
79350.W0288-1	Natural	Front Mounting	88	103	M 5	40	9	-	12
79350.W0300-1	Natural	Front Mounting	100	115	M 5	40	9	-	12
79350.W0320-1	Natural	Front Mounting	120	135	M 5	40	9	-	12
79350.W0380-1	Natural	Front Mounting	180	195	M 5	40	9	-	12
79350.W0435-1	Natural	Front Mounting	235	250	M 5	40	9	-	12
79350.W0255-4	Black	Front Mounting	55	70	M 5	40	9	-	12
79350.W0288-4	Black	Front Mounting	88	103	M 5	40	9	-	12
79350.W0300-4	Black	Front Mounting	100	115	M 5	40	9	-	12
79350.W0320-4	Black	Front Mounting	120	135	M 5	40	9	-	12
79350.W0380-4	Black	Front Mounting	180	195	M 5	40	9	-	12
79350.W0435-4	Black	Front Mounting	235	250	M 5	40	9	-	12



79360



Material

Connection shank: die-cast aluminium, black powder coated, semi-matte.
 Connection tube: die-cast aluminium, anodised, natural, satin finish. RAL 7043.

Technical Notes

Supplied with hex screw DIN 912, M12x70

with suitable nuts and washers.
 Minimum stress resistance >1000N.

Tips

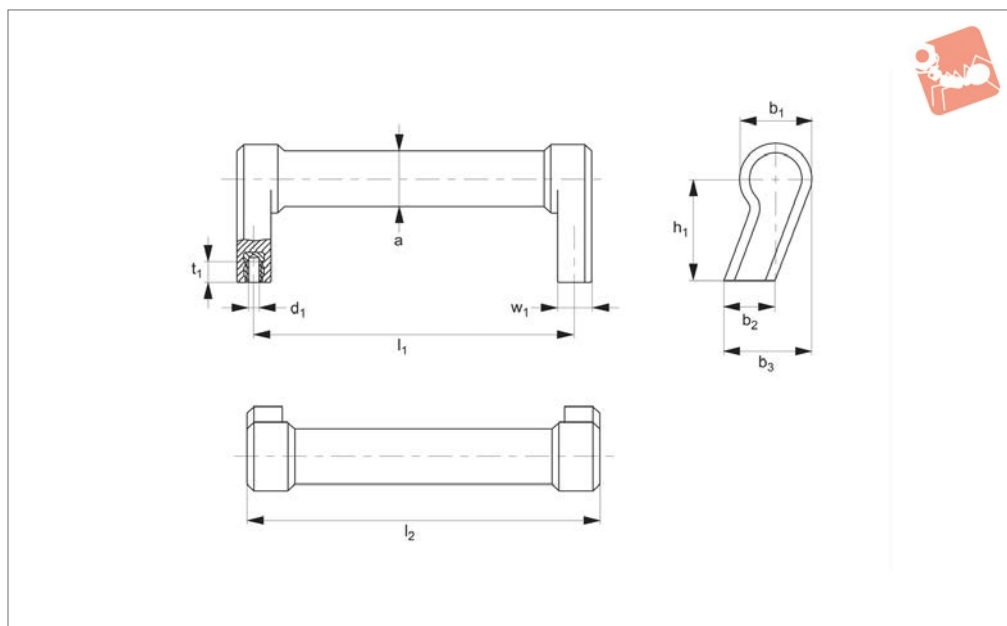
Machine, instrument and equipment handles for universal use and for any hole spacing.
 Extra rugged design. Handle ledge and

elbow section plug press-connected.

Order No.	l_1	l_2	l_3	a_1	b_1	d_1	h_1	w_1	w_2
79360.W0180	180	208	100	20	28	M 12	60	34	40
79360.W0200	200	228	220	20	28	M 12	60	34	40
79360.W0250	250	278	170	20	28	M 12	60	34	40
79360.W0300	300	328	220	20	28	M 12	60	34	40
79360.W0350	350	378	270	20	28	M 12	60	34	40
79360.W0400	400	428	320	20	28	M 12	60	34	40
79360.W0500	500	528	420	20	28	M 12	60	34	40
79360.W0600	600	628	520	20	28	M 12	60	34	40



Pull Handle, Angled plastic



79380

PULL HANDLES

Material

Handle of polyamide PA 6, glass ball reinforced with threaded brass bushings.

Black or light grey semi matte with fine-grain structure.

Technical Notes

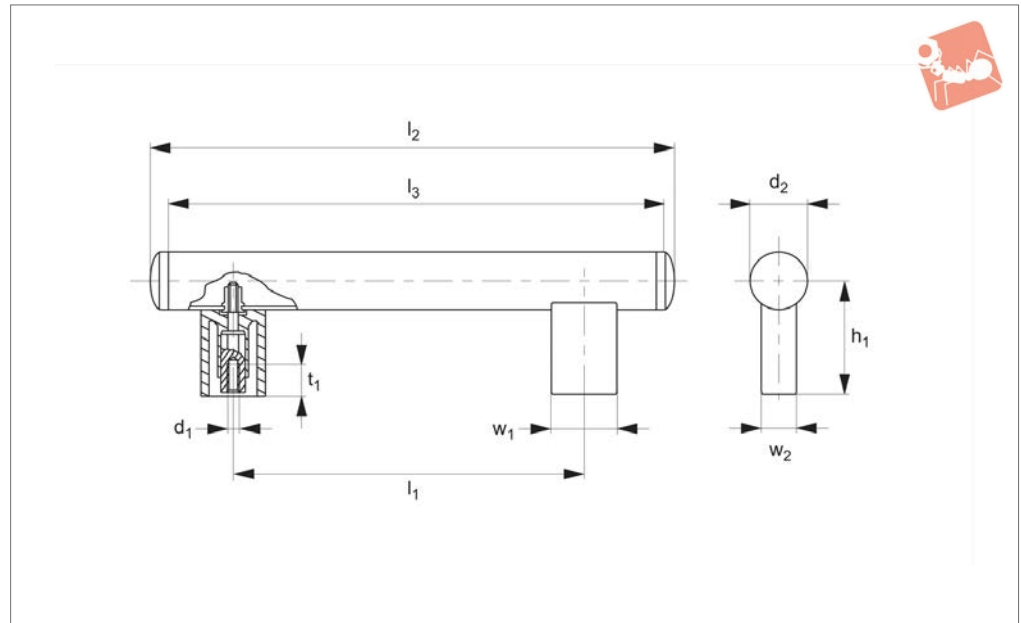
Stress resistance: min. 1000N.

Order No.	Finish	l_1	l_2	a	b_1	b_2	b_3	d_1	h_1	t_1	w_1
79380.W0140-4	Black	140	155	Ø24	30	22	37	M 6	45	9	15
79380.W0140-7	Light grey	140	155	Ø24	30	22	37	M 6	45	9	15





79400



Material

Connection shank: Polyamide (PA 6), glass bead reinforced, black, semi-matte. With steel threaded insert.

Connection tube: aluminium Al Mg Si 0,5, Ø30x1,5mm. Precision ground and

anodised.

Technical Notes

Minimum stress resistance 800N.

Tips

Screwed connection from the shank to the

tube with non-detachable blind rivet to prevent it being pulled off.

Important Notes

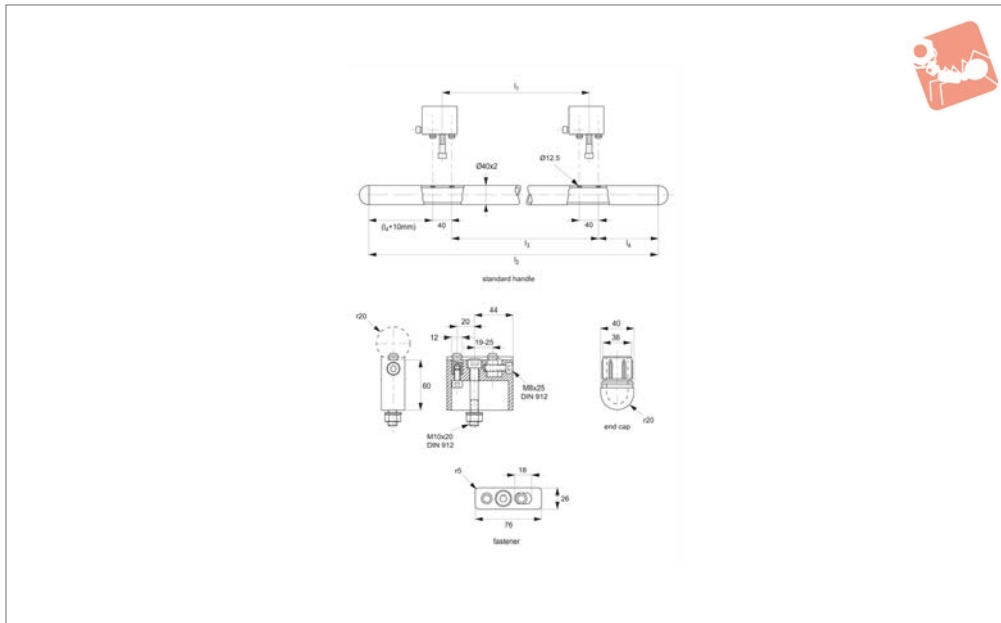
Handle lengths and screw down spacers available as required on request.

Order No.	Colour	l_1	l_2	l_3	d_1	d_2	h_1	t_1	w_1	w_2
79400.W0200-1	Natural	200	288	270	M 6	30 x 1,5	60	17	34	20
79400.W0200-4	Black	200	288	270	M 6	30 x 1,5	60	17	34	20
79400.W0250-1	Natural	250	338	320	M 6	30 x 1,5	60	17	34	20
79400.W0250-4	Black	250	338	320	M 6	30 x 1,5	60	17	34	20
79400.W0300-1	Natural	300	388	370	M 6	30 x 1,5	60	17	34	20
79400.W0300-4	Black	300	388	370	M 6	30 x 1,5	60	17	34	20
79400.W0350-1	Natural	350	438	420	M 6	30 x 1,5	60	17	34	20
79400.W0350-4	Black	350	438	420	M 6	30 x 1,5	60	17	34	20
79400.W0400-1	Natural	400	488	470	M 6	30 x 1,5	60	17	34	20
79400.W0400-4	Black	400	488	470	M 6	30 x 1,5	60	17	34	20
79400.W0500-1	Natural	500	588	570	M 6	30 x 1,5	60	17	34	20
79400.W0500-4	Black	500	588	570	M 6	30 x 1,5	60	17	34	20



Pull Handles - Heavy Duty

stainless steel and aluminium



79410

PULL HANDLES

Material

Connection shank: die-cast aluminium, black powder coated, silk matte.
 Connection tube: stainless steel 1.4301, Ø40x2, precision ground.
 End cap: polyamide (PA 6), glass ball reinforced, black, silk matte.

Technical Notes

Simplest fixing of components from the front. The same length handle can be fixed at any support spacing.
 Minimum stress resistance >1000N.

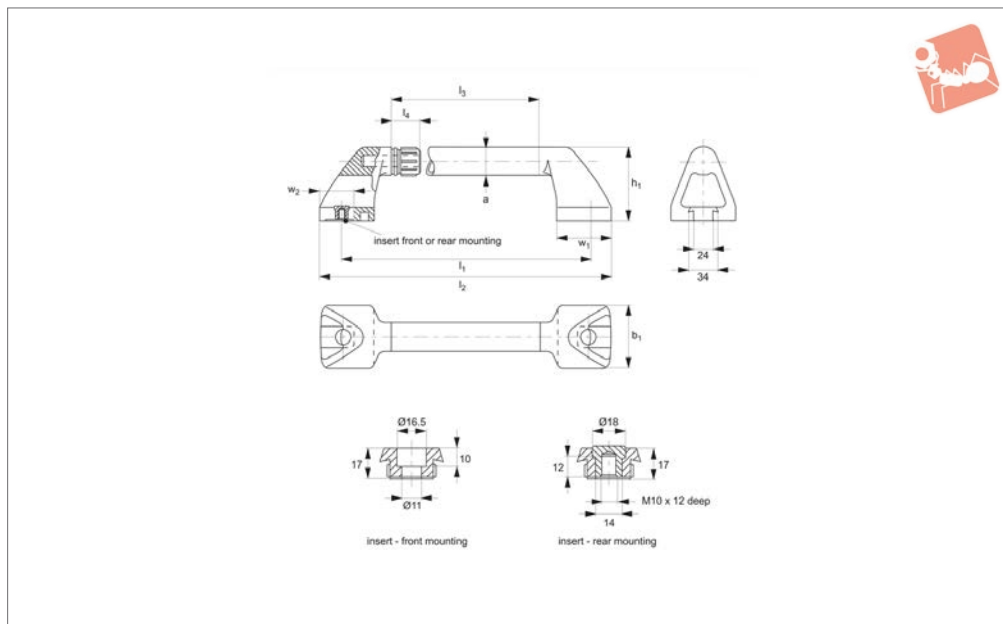
Tips

Heavy-duty pipe handles for mechanical and process equipment engineering purposes. Part nos. 79410.W0380 to .W0700 supplied complete with two fasteners and end caps.

Order No.	Type	l ₁	l ₂	l ₃	l ₄
79410.W0380	Handle	380	600	380	85
79410.W0480	Handle	480	700	480	85
79410.W0500	Handle	500	800	500	125
79410.W0600	Handle	600	900	600	125
79410.W0700	Handle	700	1000	700	125
79410.W0901	Fastener	-	-	-	-
79410.W0902	End Cap	-	-	-	-



79420



Material

Handle shank: polyamide (PA 6), glass ball reinforced, black, silk matte finish.
 Connection tube: stainless steel 1.4301
 AISI 304, pipe Ø35x2mm, precision ground.

Technical Notes

Front mounting: supplied with stainless

steel hex screws DIN 912, M10x25 and suitable nuts and washers.

Rear mounting: no screws supplied.

Minimum stress resistance >1000N.

Tips

Clamp ridges on handle shanks hold connection tube firmly, O-rings provide splash proof water tight seal. Any handle

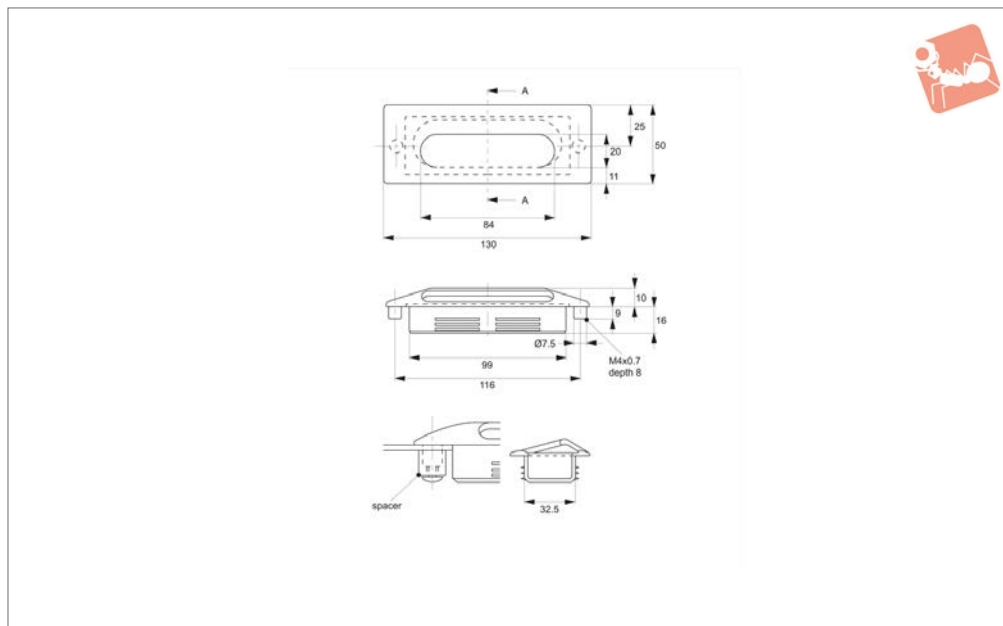
length on request.

Order No.	Type	l_1	l_2	l_3	l_4	a	b_1	h_1	w_1	w_2
79420.W0300	Front Mounting	300	350	180	35	35 x 2	80	90	62	40
79420.W0301	Rear Mounting	300	350	180	35	35 x 2	80	90	62	40
79420.W0350	Front Mounting	350	400	230	35	35 x 2	80	90	62	40
79420.W0351	Rear Mounting	350	400	230	35	35 x 2	80	90	62	40
79420.W0400	Front Mounting	400	450	280	35	35 x 2	80	90	62	40
79420.W0401	Rear Mounting	400	450	280	35	35 x 2	80	90	62	40
79420.W0450	Front Mounting	450	500	330	35	35 x 2	80	90	62	40
79420.W0451	Rear Mounting	450	500	330	35	35 x 2	80	90	62	40
79420.W0500	Front Mounting	500	550	380	35	35 x 2	80	90	62	40
79420.W0501	Rear Mounting	500	550	380	35	35 x 2	80	90	62	40
79420.W0600	Front Mounting	600	650	480	35	35 x 2	80	90	62	40
79420.W0601	Rear Mounting	600	650	480	35	35 x 2	80	90	62	40
79420.W0700	Front Mounting	700	750	580	35	35 x 2	80	90	62	40
79420.W0701	Rear Mounting	700	750	580	35	35 x 2	80	90	62	40
79420.W0800	Front Mounting	800	850	680	35	35 x 2	80	90	62	40
79420.W0801	Rear Mounting	800	850	680	35	35 x 2	80	90	62	40
79420.W0901	Handle Shank	-	-	-	-	-	-	-	-	-
79420.W0902	Front Mounting Insert	-	-	-	-	-	-	-	-	-
79420.W0903	Rear Mounting Insert	-	-	-	-	-	-	-	-	-



Pull Handles - Recessed

plastic - rear mounting



79440

PULL HANDLES

Material

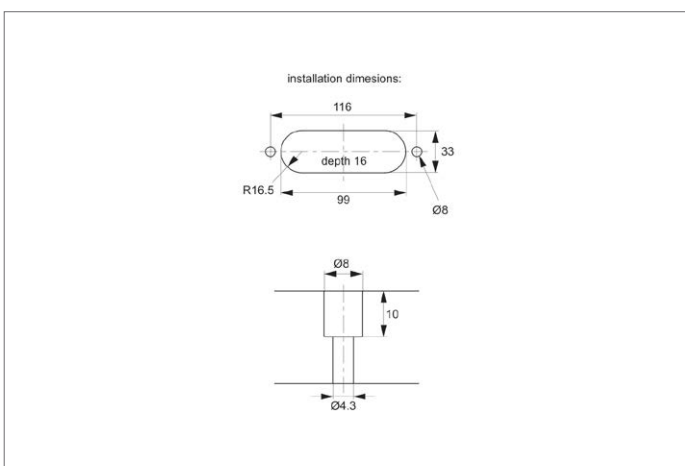
Body: black plastic.
Cover: zinc alloy, chrome, satin nickel or

satin brass finish.

Technical Notes

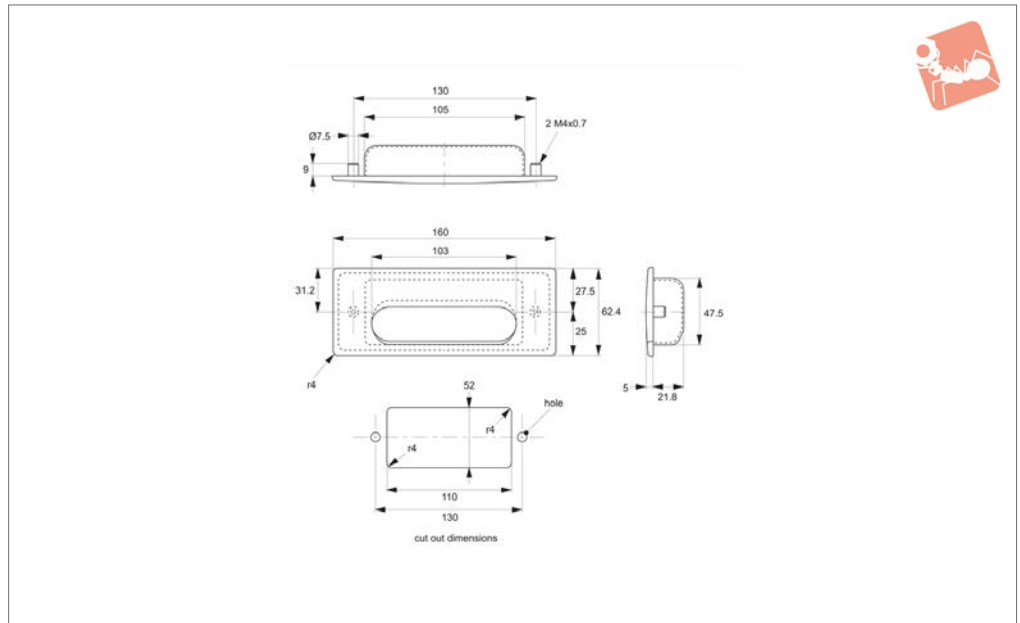
Supplied with spacer and screws (M4x8).

Order No.	Finish	Weight g
79440.W0130	Chrome	105
79440.W0131	Nickel, Satin	105
79440.W0132	Brass, Satin	105





79460



Material

AISA 304 stainless steel, satin finish.

Technical Notes

M 4 mounting screws required, not

supplied.

Important Notes

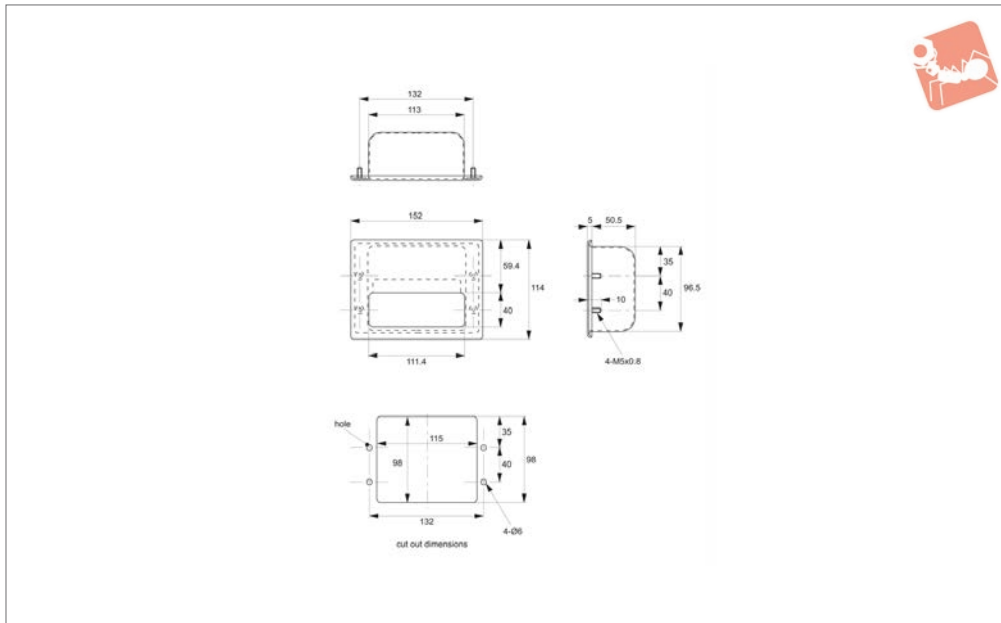
Ideal for harsh and high corrosive environments.

Order No.	Type	Weight g
79460.W0160	Stainless Steel	260



Recessed Pull Handles

stainless steel



79470

PULL HANDLES

Material

AISI 304 stainless steel, satin finish.

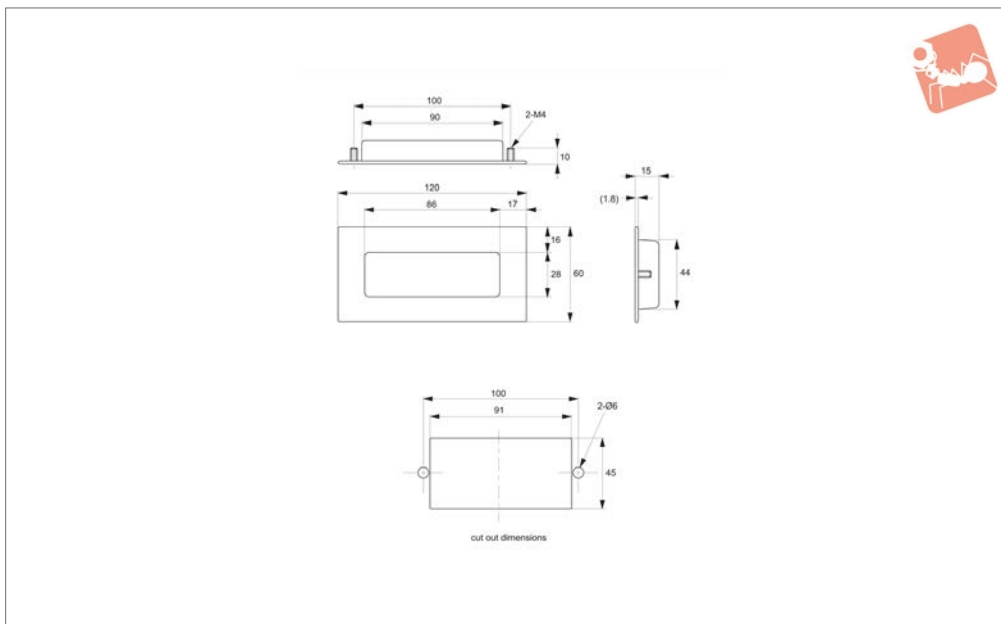
Technical Notes

Supplied with stainless steel M 5 nut.

Order No.	Finish	Weight g
79470.W0150	Stainless Steel	390



79480



Material

Stainless steel, AISI 304, satin finish.

Technical Notes

Supplied with stainless steel M 4 nut.

Order No.

79480.W0010

Finish

Stainless Steel

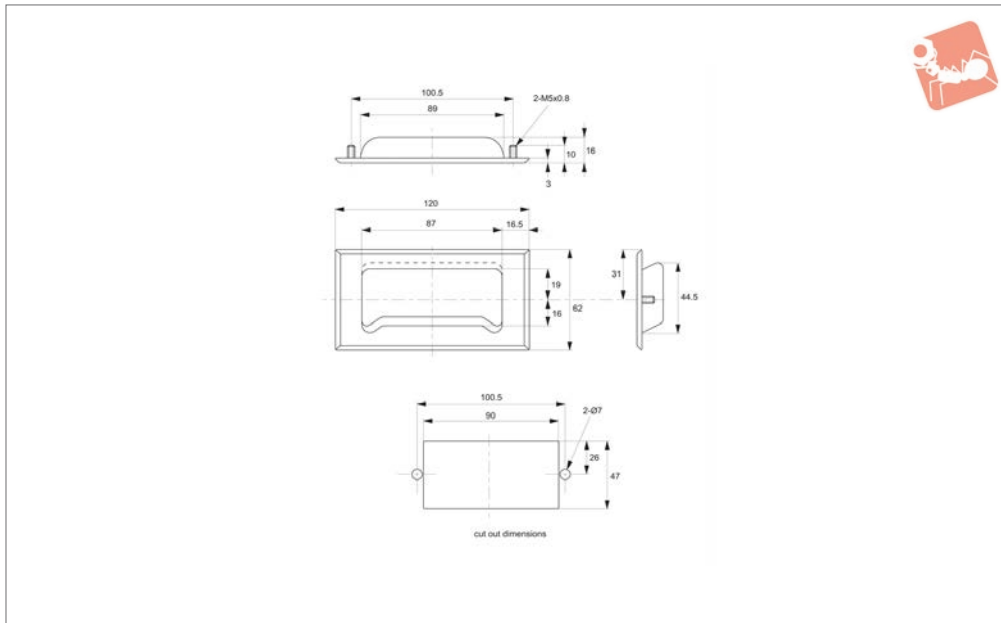
Weight

g
50



Recessed Pull Handles

stainless steel



79490

PULL HANDLES

Material

AISI 304 stainless steel, satin finish.

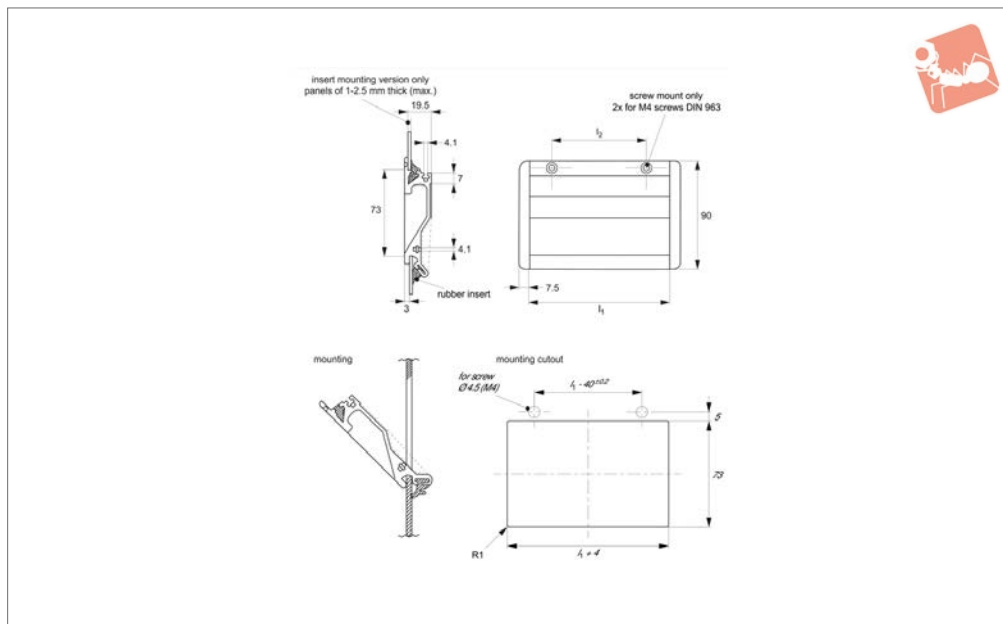
Technical Notes

Supplied with clear zinc chromate M 5 nuts.

Order No.	Finish	Weight
79490.W0010	Stainless Steel	g 50



79500



Material

Profiled aluminium, with black polyamide end caps PA 6. Handle glass blasted and anodised, natural or black, satin finish.

Technical Notes

Two possible mounting options:

- 1) **Mounting via screws (for panels >2,5mm thick):** two countersunk holes for DIN966, M4x8 included on model.
- 2) **Mounting via rubber insert (for panels**

1 to 2,5mm thick): additional rubber insert at top of the handle pushes in from the back, securing the handle. Minimum stress resistance 500N.

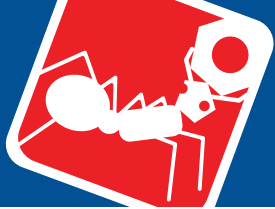
Tips

Mounting method:

- Make mounting cut-out in panel/material.
- Insert bottom rubber insert.
- Attach end caps.

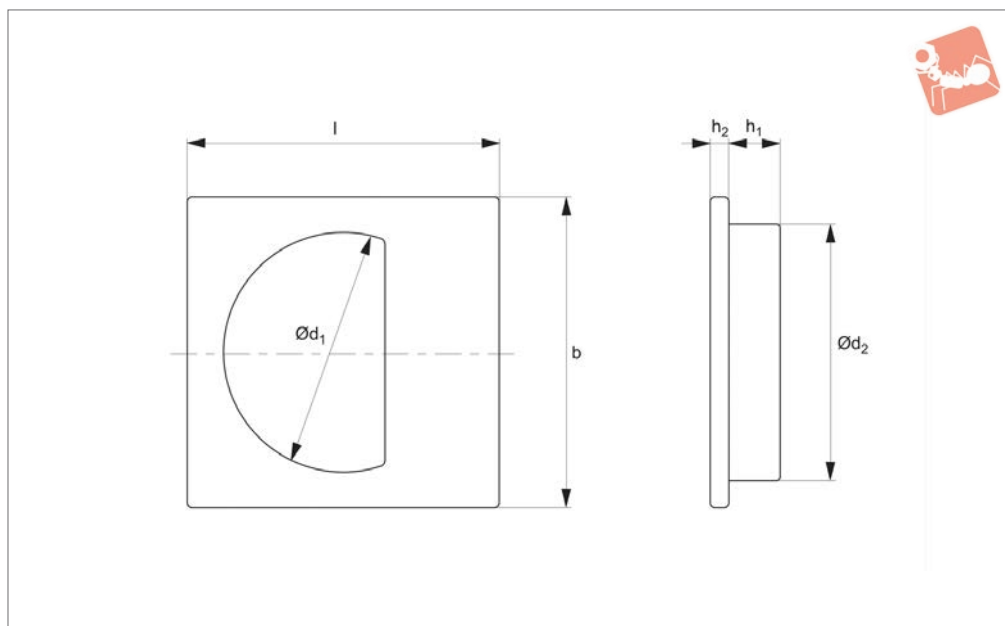
- Press handle over lower edge of mounting cut-out at a 45° angle, ensuring correct position of rubber insert on the inside of the cut-out.
- If using additional rubber insert for mounting, hold handle against cut-out and fit insert. Alternatively use two counter-sunk screws with spacing equal to $l_1 - 40\text{mm}$ (as shown).

Order No.	Type	Finish	l_1	l_2	Mounting cutout
79500.W0100-1	Screw	Silver	100	60	104x73
79500.W0100-4	Screw	Black	100	60	104x73
79500.W0118-1	Screw	Silver	118	78	122x73
79500.W0118-4	Screw	Black	118	78	122x73
79500.W0167-1	Screw	Silver	167	127	171x73
79500.W0167-4	Screw	Black	167	127	171x73
79500.W0500-1	Insert	Silver	100	60	104x73
79500.W0500-4	Insert	Black	100	60	104x73
79500.W0618-1	Insert	Silver	118	78	122x73
79500.W0618-4	Insert	Black	118	78	122x73
79500.W0667-1	Insert	Silver	167	127	171x73
79500.W0667-4	Insert	Black	167	127	171x73



Recessed Pull Handles

stainless steel



79510

PULL HANDLES

Material

Stainless type: AISI 304 stainless steel, polished.

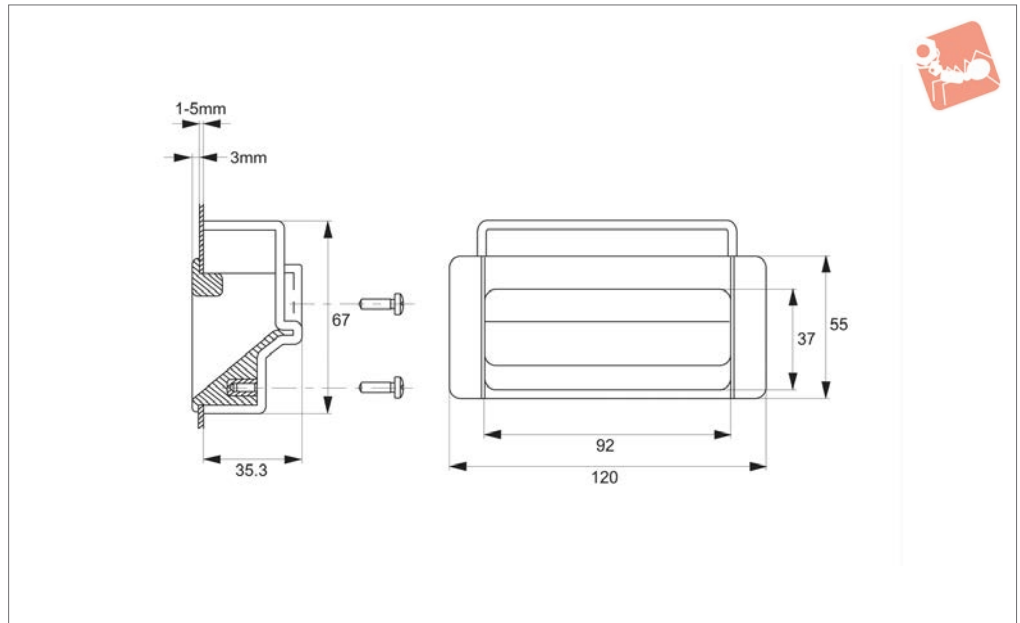
Technical Notes

Press fit.

Order No.	Finish	l	b	h ₁	h ₂	∅ d ₁	∅ d ₂	Weight g
79510.W0035	Stainless	44	44	9.8	2.2	31	35.1	10
79510.W0038	Stainless	47	47	10.3	2.2	34	37.6	11
79510.W0048	Stainless	57	57	10.3	2.2	44	48.6	16



79520



Material

Thermoplastic PA 6, glass bead reinforcement, fine-grain structure. Threaded brass insert.

the mounting cut-out. The rear section is then fitted to front section from the interior of the panel, and fixed with three screws (supplied). Minimum stress resistance 1000N.

Tips

This handle is suitable for different degrees of panel thickness 1 to 5mm. Its design guarantees that it fits securely at all times.

Technical Notes

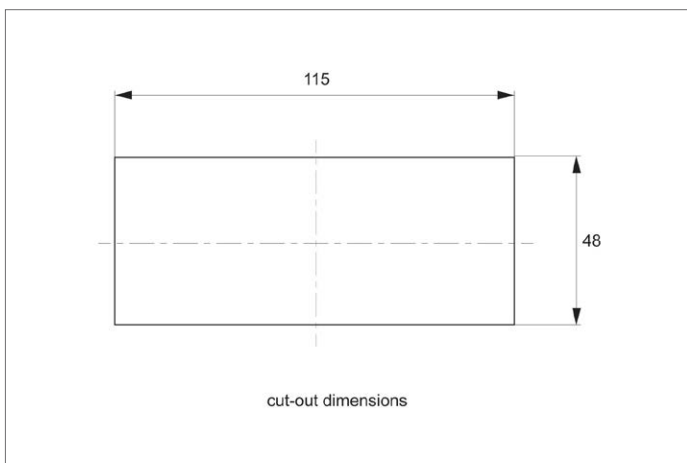
Mounting: the front section is first set into

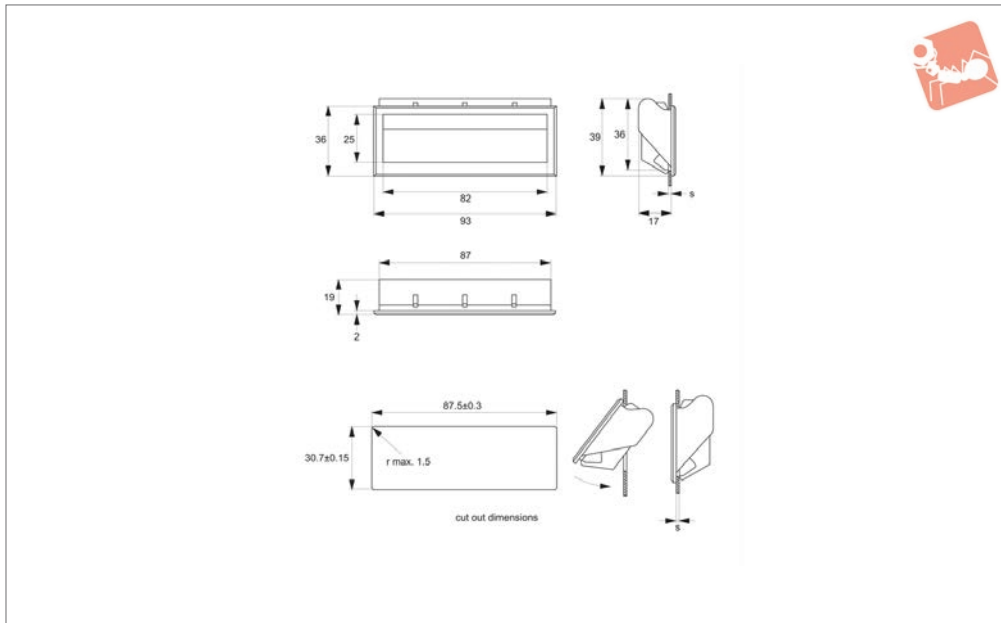
Order No.

- 79520.W0107
- 79520.W0108
- 79520.W0109

Finish

- Stone Grey
- Light Grey
- Greyish White





79522

PULL HANDLES

Material

ABS resin, black, similar to RAL 9005, with fine structure on the visible surfaces.

Technical Notes

Flush inset handle for lifting and pulling. Unilateral, tool-less single-hole installation through self-locking, recessed handle.

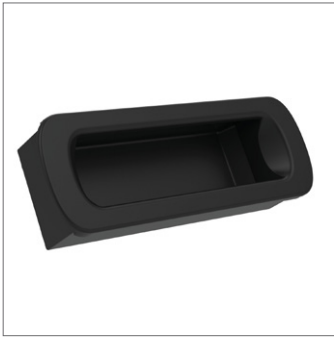
Stress resistance: min. 400N when installed in 1,2mm sheet steel. Max. values depend on the strength of the mounting wall.

Tips

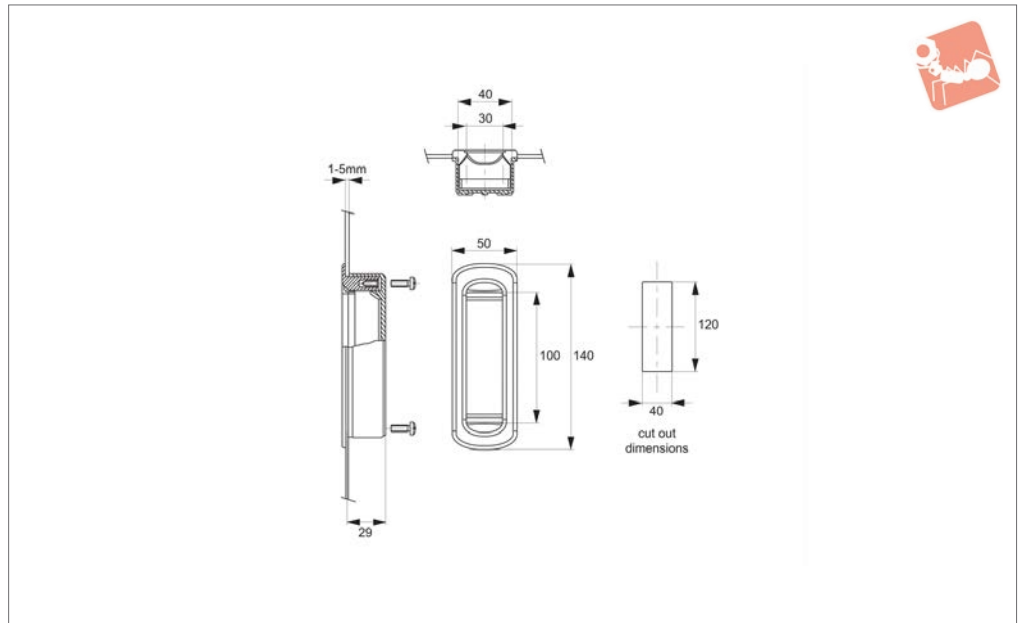
Assembly: place the trough inset handle in the cutout, so that the upper edge of the

cutout lies in the gap being the face of the handle. Then press the bottom edge of the handle into the cutout until it clearly locks into place.

Order No.	Panel thickness s mm
79522.W0100	1,0-1,4
79522.W0140	1,4-1,8
79522.W0180	1,8-2,1
79522.W0210	2,1-2,5



79530



Material

Thermoplast (PA 6), glass bead reinforced. Threaded brass insert. Supplied with four oval-head screws to DIN 7985.

the mounting cut-out. The rear section is then fitted to front section from the interior of the panel, and fixed with four screws (supplied).

1 to 5mm thick.

Technical Notes

Mounting: the front section is first set into

Tips

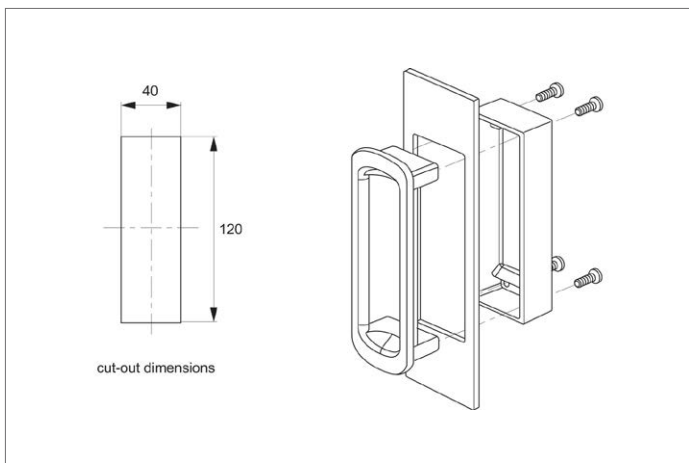
Simple and stable design for use on panels

Order No.

- 79530.W0107
- 79530.W0108
- 79530.W0109
- 79530.W0110

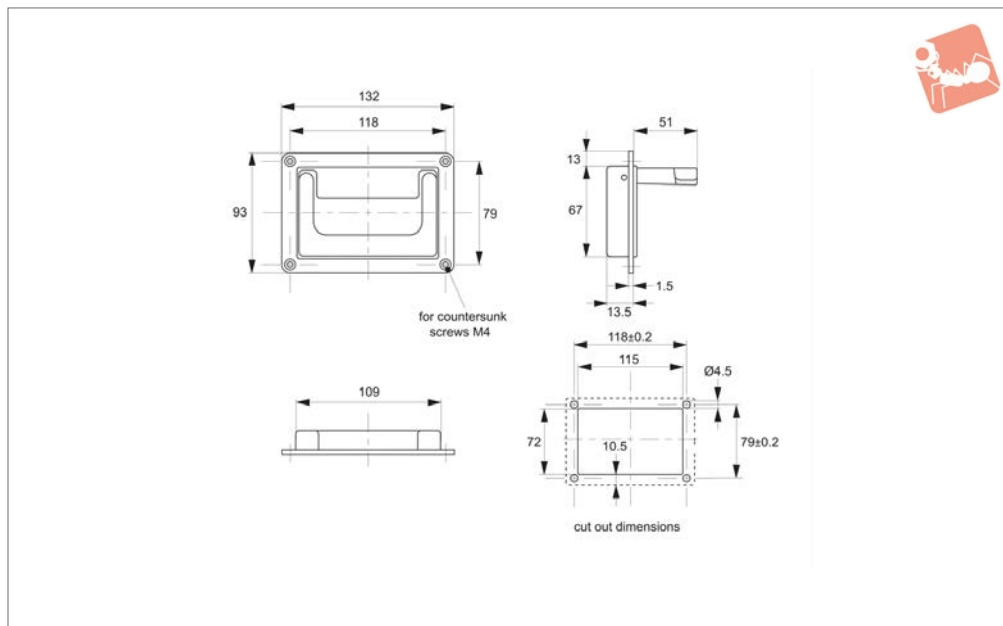
Finish

- Stone Grey
- Light Grey
- Greyish White
- Black





Tray Handle, Collapsible stainless steel



79540

PULL HANDLES

Material

Stainless steel. AISI 304, polished.

Technical Notes

Spring return handle, returns from working

to resting position when released.

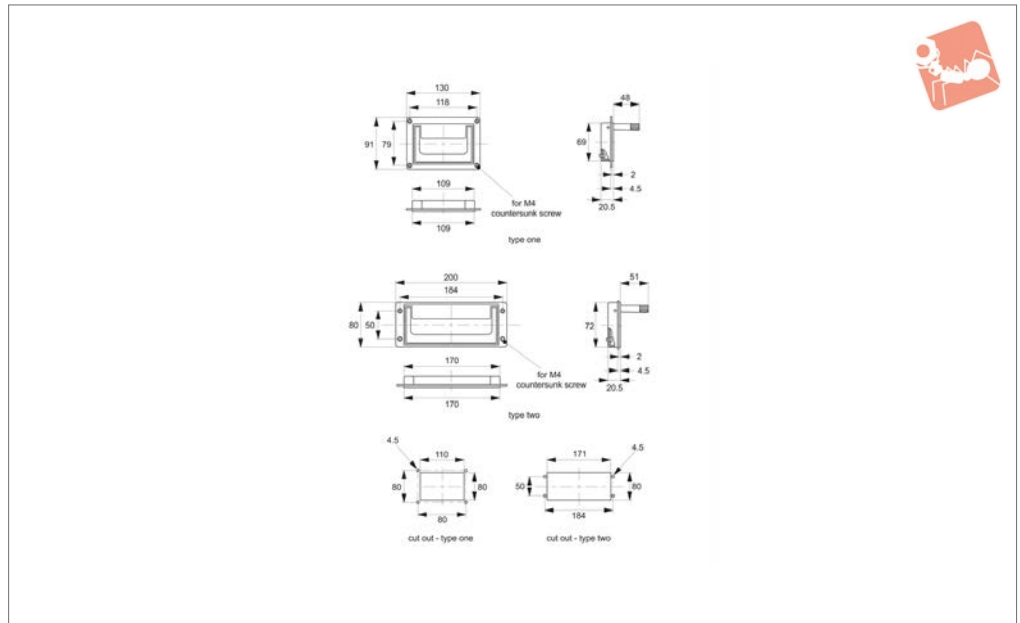
See cut-out details for mounting dimensions.

Stress resistance: min. 200N

Order No.	Type	Finish	Hole centres
79540.W0118	Spring Return	Electropolished	118
79540.W0218	Spring Return	Brushed	118



79550



Material

Pressure moulded aluminium, GD Al Si dCu 3.

Technical Notes

Snap-lock type-

with snap lock in both extended and retracted position.

Pull-back type-

with spring retraction from extended to retracted position.

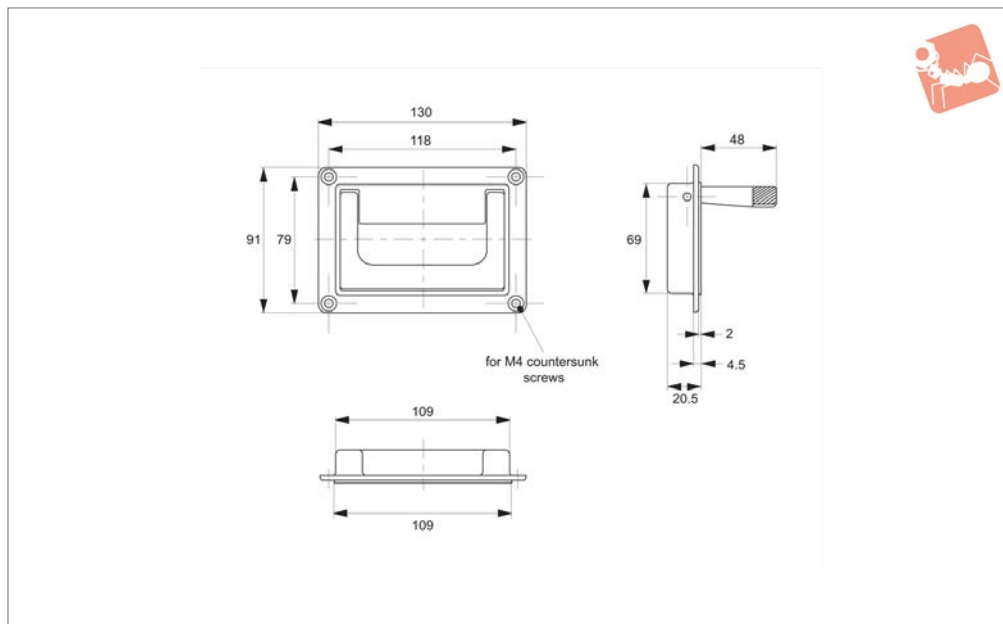
Front or rear mounting possible. Natural finger profiling within the hinged handle. Can also be used for lifting in the retracted position.

Minimum stress resistance 500N.

Tips

Collapsible tray handles are of contemporary design and can be used wherever durability and styling are required.

Order No.	Type	Handle action	Finish
79550.W0118-4	Type One	Snap Lock	Black
79550.W0118-7	Type One	Snap Lock	Light Grey
79550.W0118-9	Type One	Snap Lock	Greyish White
79550.W0119-4	Type One	Pull Back	Black
79550.W0119-7	Type One	Pull Back	Light Grey
79550.W0119-9	Type One	Pull Back	Greyish White
79550.W0184-4	Type Two	Snap Lock	Black
79550.W0184-7	Type Two	Snap Lock	Light Grey
79550.W0184-9	Type Two	Snap Lock	Greyish White
79550.W0185-4	Type Two	Pull Back	Black
79550.W0185-7	Type Two	Pull Back	Light Grey
79550.W0185-9	Type Two	Pull Back	Greyish White



79552

PULL HANDLES

Material

Tray and handle made of polyamide Pa 6, black similar to RAL 9005.

Technical Notes

Mountable in front of or behind housing

wall with the same housing cut-out.

Natural finger profiling at the rear of the hinged handle.

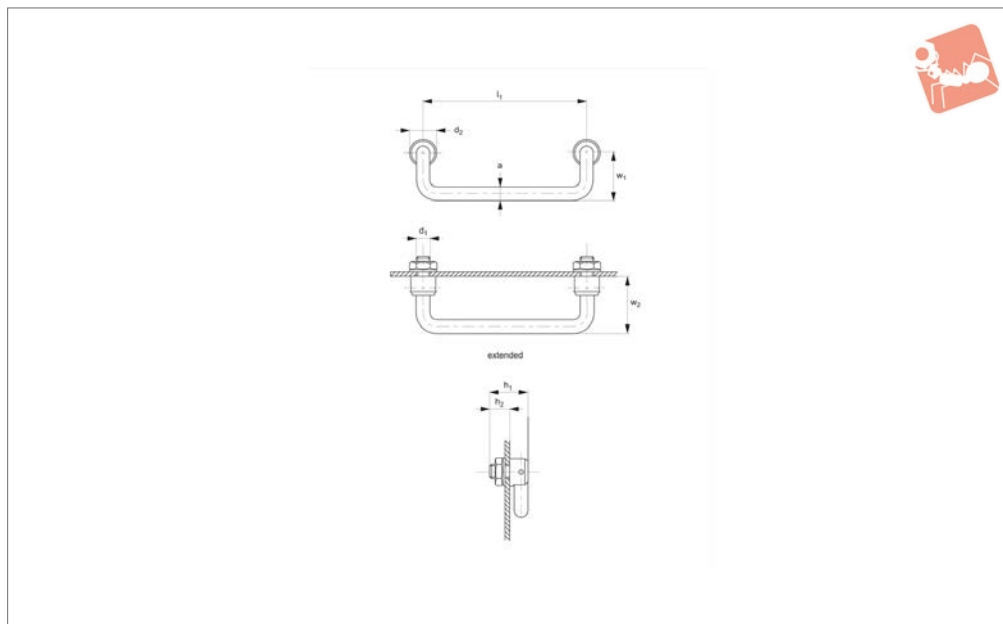
79552.W0118: with snap locks both in rest and work position.

79552.W0218: with pull back spring from the working to the rest position. Stress resistance: min. 250N.

Order No.	Handle action	Hole centres
79552.W0118	Snap Lock	118
79552.W0218	Pull Back	118



79570



Material

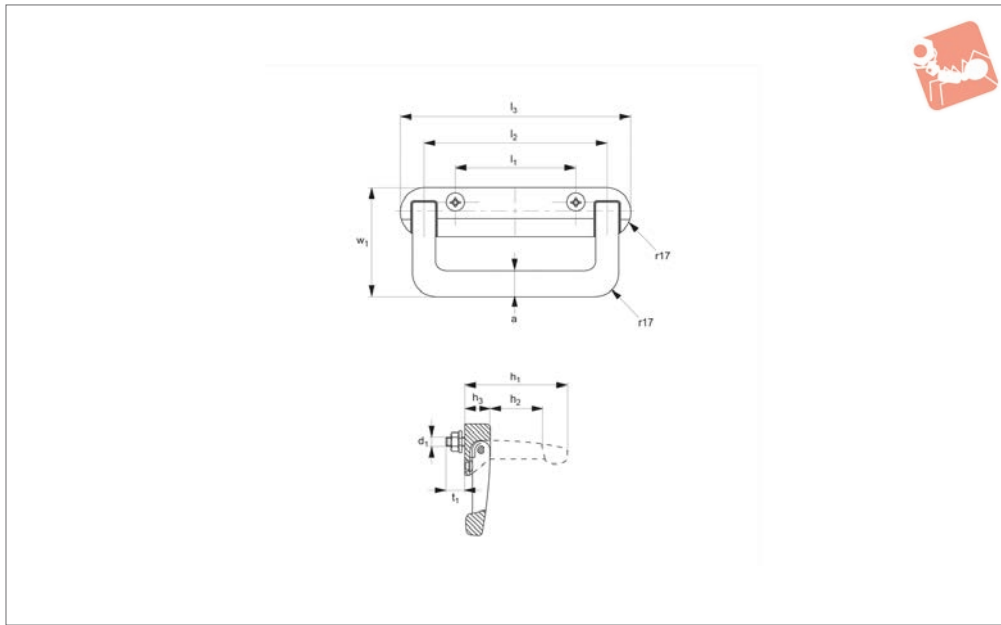
Round steel bar, precision ground and chromium plated, mirror finish. Plastic grip.

Technical Notes

Spring-arrest in both extended and retracted positions. Supplied with suitable nuts and washers.

Minimum stress resistance to 1000N per pair due to one-piece shank.

Order No.	Type	l_1	d_1	d_2	h_1	h_2	a	w_1	w_2
79570.W0100	Without Plastic Grip	100	M10 x 1	18	28	14	Ø10	34	44
79570.W0120	Without Plastic Grip	120	M10 x 1	18	28	14	Ø10	34	44
79570.W0180	Without Plastic Grip	180	M10 x 1	18	28	14	Ø10	34	44
79570.W0500	With Plastic Grip	100	M10 x 1	18	28	14	Ø10	34	44
79570.W0520	With Plastic Grip	120	M10 x 1	18	28	14	Ø10	34	44
79570.W0680	With Plastic Grip	180	M10 x 1	18	28	14	Ø10	34	44



79580

PULL HANDLES

Material

Polyamide, glass reinforced plastic PA 6, black, semi-gloss. Arbors and springs from stainless steel. With screws to DIN9656, M

6x30, suitable nuts & washers.

Technical Notes

Minimum stress resistance 300N. Stability

under load 500N.

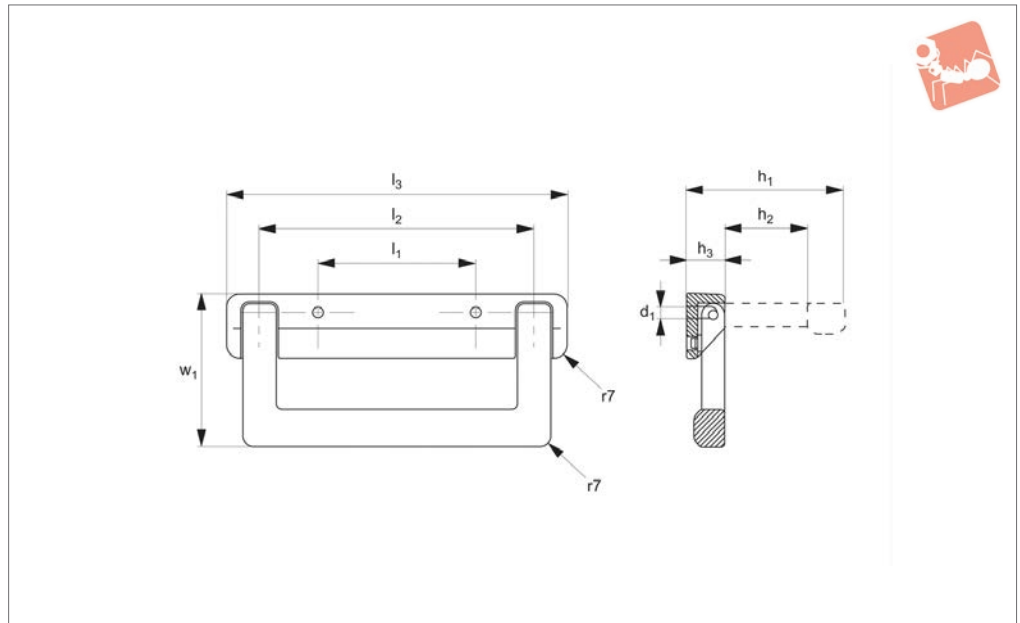
Tips

Springs back automatically.

Order No.	Type	l_1	l_2	l_3	d_1	h_1	h_2	h_3	a	t	w_1
79580.W0120	Spring Loaded	80	120	154	M 6	71	35	18	18	12	77



79582



Material

Holder & handle: die-cast aluminium GD-ALSi9Cu3 (alloy 226). Powder coated, half matt in black (similar to RAL 9005) or orange (RAL 2009).

Arbors & restoring springs: stainless steel. Self-acting resilient handle made of aluminium for backside screw mounting.

Technical Notes

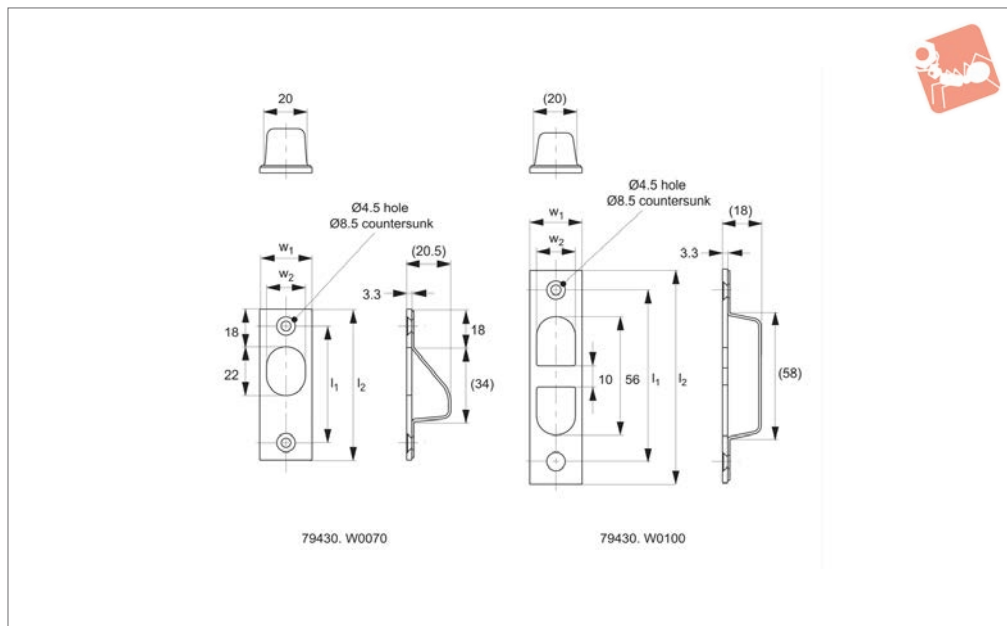
Stress resistance: min. 800N. Screw attachment from the front available on request. Other colour combinations available on request.

Order No.	Type	l_1	l_2	l_3	d_1	h_1	h_2	h_3	w_1
79582.W0145	Black	84	145	180	M 6	83	44	20	80
79582.W1145	Orange	84	145	180	M 6	83	44	20	80



Finger Pulls, Recessed

stainless steel



79430

PULL HANDLES

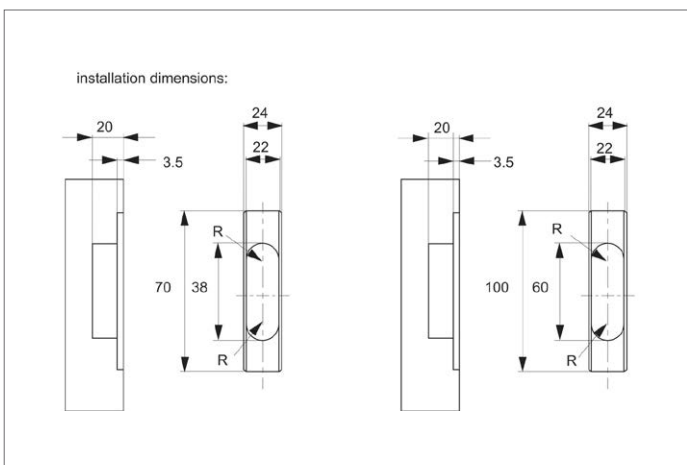
Material

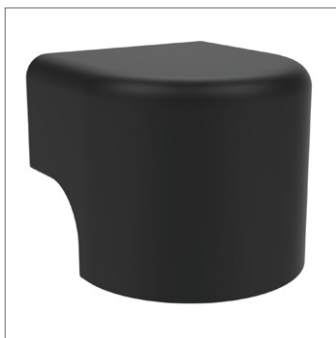
AISI 304 stainless steel, satin finish.

Technical Notes

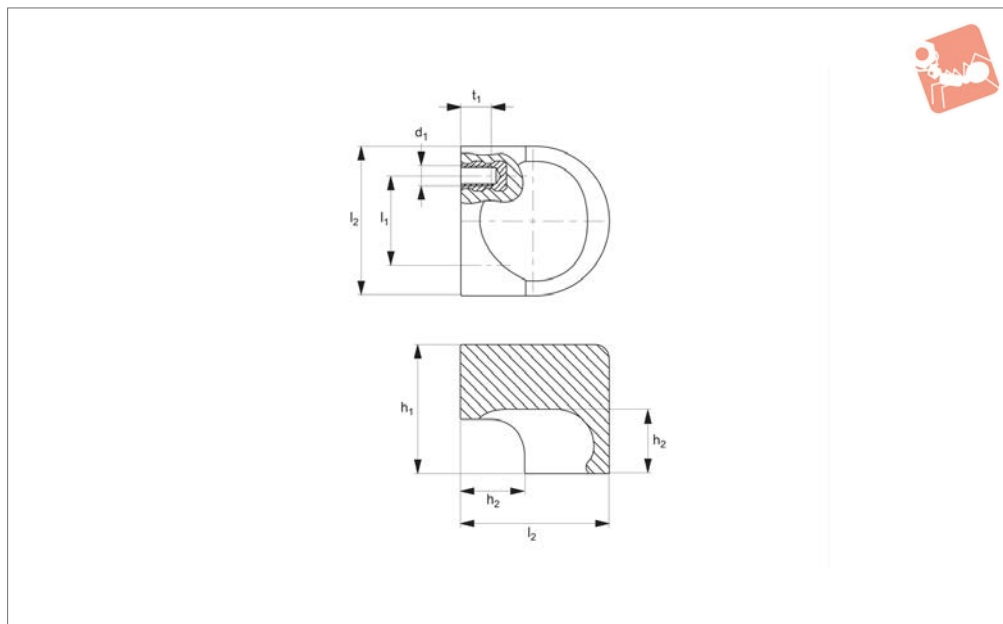
Compact finger pulls, for doors/enclosures of minimum thickness 30mm.

Order No.	Type	l_1	l_2	w_1	w_2	Weight g
79430.W0070	Type one	54	70	24	18	37
79430.W0100	Type two	80	100	24	18	45





79660



Material

Polyamide PA 6, glass ball reinforced, fine grain semi-matt finish.

Insert: threaded brass bushing.

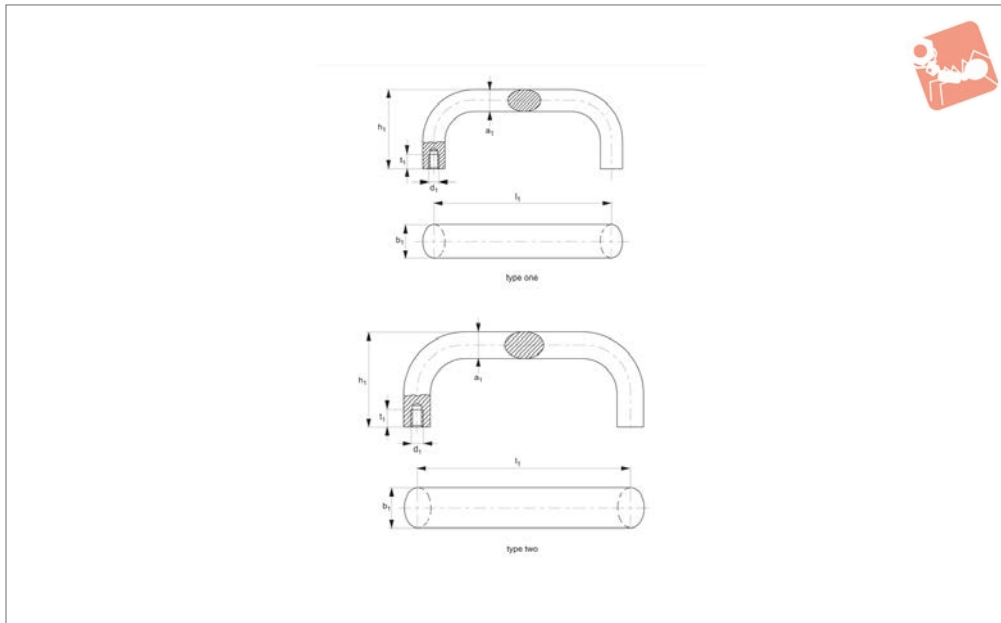
furniture.

Technical Notes

Ideal finger pull for cabinets, enclosures or

Order No.	Type	l_1	l_2	h_1	h_2	d_1	t_1
79660.W0014	Black	14	26	22	11	M 4	6
79660.W0018	Black	18	30	26	13	M 4	6
79660.W0114	Grey	14	26	22	11	M 4	6
79660.W0118	Grey	18	30	26	13	M 4	6





79820

PULL HANDLES

Material

Oval profiled aluminium AlMgSi 0.5. Vibration ground and powder coated in RAL 9002 grey white.

Tips

Especially suited for food and medical industries. Other RAL shades available on request.

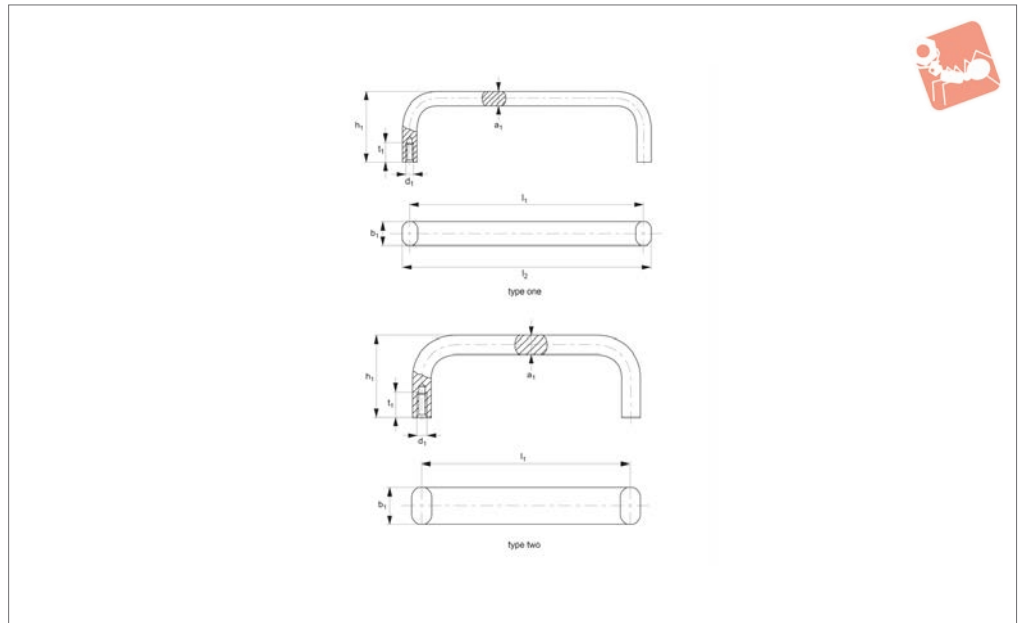
Technical Notes

Minimum stress resistance >1000N.

Order No.	Type	l_1	d_1	a_1	b_1	h_1	t_1
79820.W0010	Type One	100	M 6	13	20	50	12
79820.W0013	Type One	128	M 6	13	20	50	12
79820.W0016	Type One	160	M 6	13	20	50	12
79820.W0114	Type Two	140	M 8	17	26	55	14
79820.W0116	Type Two	160	M 8	17	26	55	14
79820.W0118	Type Two	180	M 8	17	26	55	14
79820.W0119	Type Two	192	M 8	17	26	55	14
79820.W0135	Type Two	350	M 8	17	26	55	14



79830



Material

Flat-oval profiled aluminum AlMgSi 0.5.
Vibration ground and powder coated in RAL 9002 grey white.

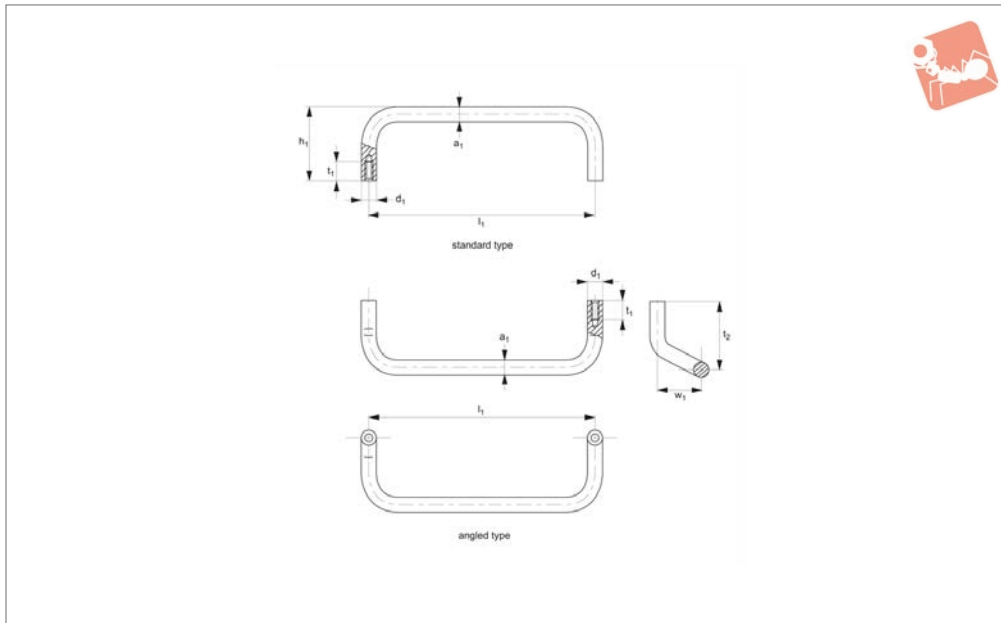
Tips

Especially suited for food and medical industries. Other RAL shades are available on request.

Technical Notes

Minimum stress resistance 500N.

Order No.	Type	l_1	l_2	d_1	a_1	b_1	h_1	t_1
79830.W0005	Type One	55	63	M 5	8	12	40	10
79830.W0008	Type One	88	96	M 5	8	12	40	10
79830.W0010	Type One	100	108	M 5	8	12	40	10
79830.W0012	Type One	120	128	M 5	8	12	40	10
79830.W0018	Type One	180	188	M 5	8	12	40	10
79830.W0020	Type One	200	208	M 5	8	12	40	10
79830.W0023	Type One	235	243	M 5	8	12	40	10
79830.W0025	Type One	250	258	M 5	8	12	40	10
79830.W0112	Type Two	120	130	M 5	10	20	45	10
79830.W0114	Type Two	140	150	M 5	10	20	45	10
79830.W0118	Type Two	180	190	M 5	10	20	45	10
79830.W0120	Type Two	200	210	M 5	10	20	45	10
79830.W0135	Type Two	350	360	M 6	10	20	45	12



79840

PULL HANDLES

Material

Profile aluminium AlMgSi 0.5. Vibration ground and powder-coated in RAL 9002 grey white.

Technical Notes

Minimum stress resistance 500N.

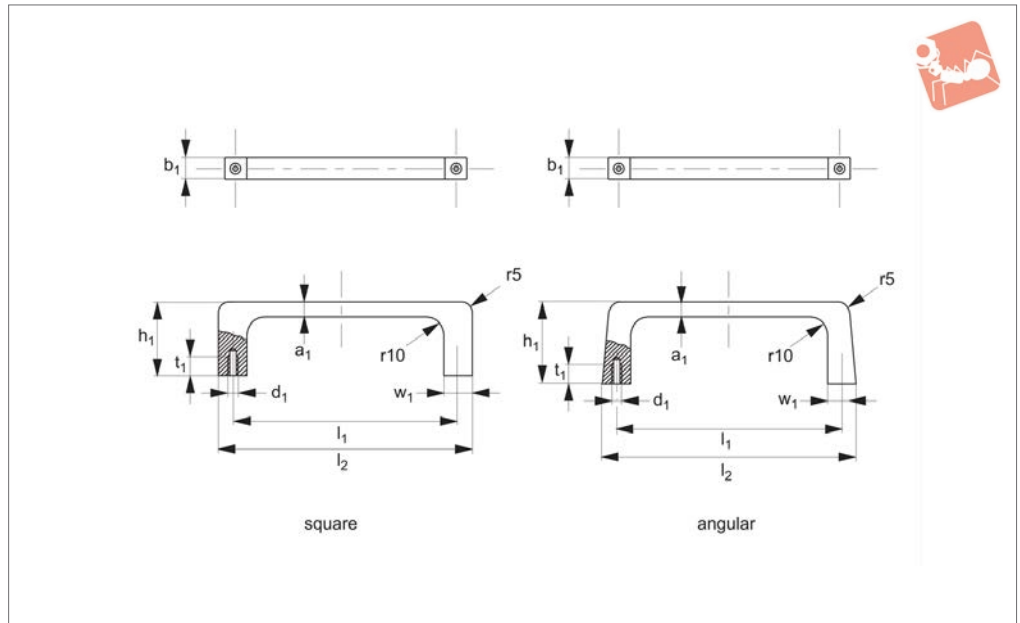
Tips

Especially suited for food and medical industries.

Order No.	Type	l_1	d_1	a_1	h_1	t_1	t_2	w_1
79840.W0005	Standard	55	M 5	Ø10	40	10	-	-
79840.W0008	Standard	88	M 5	Ø10	40	10	-	-
79840.W0010	Standard	100	M 5	Ø10	40	10	-	-
79840.W0012	Standard	120	M 5	Ø10	40	10	-	-
79840.W0018	Standard	180	M 5	Ø10	40	10	-	-
79840.W0020	Standard	200	M 5	Ø10	40	10	-	-
79840.W0023	Standard	235	M 5	Ø10	40	10	-	-
79840.W0025	Standard	250	M 5	Ø10	40	10	-	-
79840.W0108	Angled	86	M 5	Ø10	-	10	40	30
79840.W0112	Angled	120	M 5	Ø10	-	10	40	30
79840.W0118	Angled	180	M 5	Ø10	-	10	40	30



79860



Material

Cut profiled, aluminium AlMgSi 0.5. Vibration ground and powder coated in RAL 9002 grey white.

Tips

Especially suited for food and medical industries. Other RAL shades are available on request.

Technical Notes

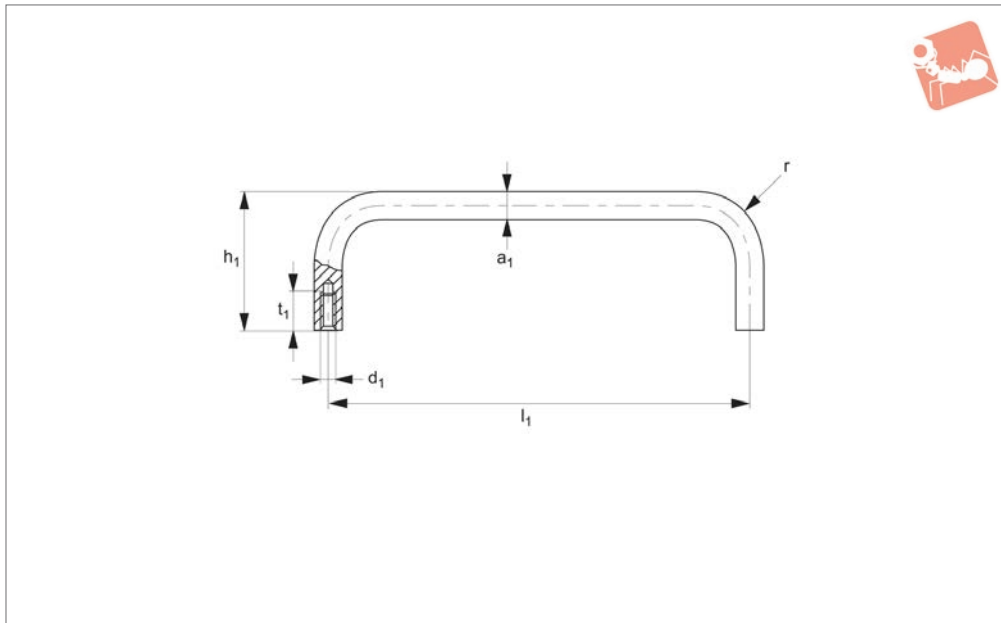
Minimum stress resistance 500N.

Order No.	Type	l_1	l_2	d_1	a_1	b_1	h_1	t_1	w_1
79860.W0005	Square	55	67	M 5	8	12	40	10	12
79860.W0008	Square	88	100	M 5	8	12	40	10	12
79860.W0012	Square	120	132	M 5	8	12	40	10	12
79860.W0018	Square	180	192	M 5	8	12	40	10	12
79860.W0023	Square	235	247	M 5	8	12	40	10	12
79860.W0102	Angular	25	40	M 5	8	12	46	10	12
79860.W0105	Angular	55	69	M 5	8	12	46	10	12
79860.W0108	Angular	88	102	M 5	8	12	46	10	12
79860.W0112	Angular	120	134	M 5	8	12	46	10	12
79860.W0118	Angular	180	194	M 5	8	12	46	10	12
79860.W0123	Angular	235	249	M 5	8	12	46	10	12



Pull Handles

aluminium, Clean line



79880

PULL HANDLES

Material

Round bar aluminium AlMgSi 0.5. Vibration ground and powder coated in RAL 9002 grey white.

Tips

Especially suited for food and medical industries. Other RAL shades are available on request.

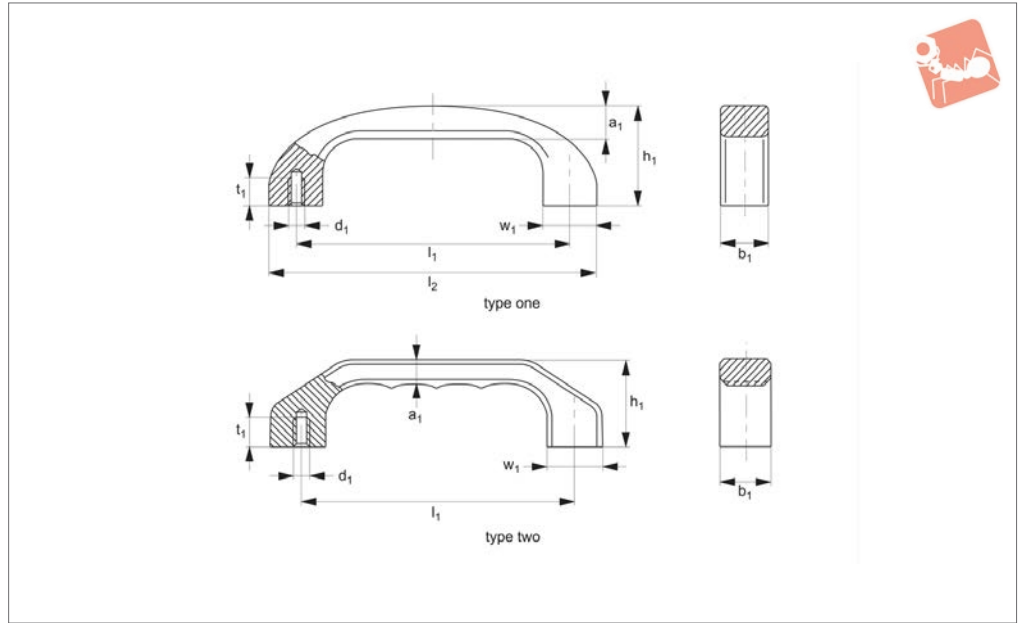
Technical Notes

Minimum stress resistance >1000N.

Order No.	Type	l_1	d_1	a	h_1	R	t_1
79880.W0120	Standard	200	M 8	20	70	22	15
79880.W0125	Standard	250	M 8	20	70	22	15
79880.W0130	Standard	300	M 8	20	70	22	15
79880.W0135	Standard	350	M 8	20	70	22	15
79880.W0140	Standard	400	M 8	20	70	22	15
79880.W0160	Standard	600	M 8	20	70	22	15
79880.W0220	Standard	200	M 8	25	85	28	15
79880.W0225	Standard	250	M 8	25	85	28	15
79880.W0230	Standard	300	M 8	25	85	28	15
79880.W0240	Standard	400	M 8	25	85	28	15
79880.W0260	Standard	600	M 8	25	85	28	15
79880.W0330	Standard	300	M10	30	100	34	15
79880.W0340	Standard	400	M10	30	100	34	15
79880.W0360	Standard	600	M10	30	100	34	15



79900



Material

Solid aluminium handles in a modern industrial design. Aluminium section AlMgSi 0.5. Vibration ground and powder coated in RAL 9002 grey white.

Technical Notes

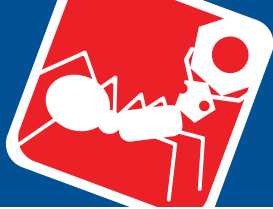
Minimum stress resistance >1000N.

industries. Other RAL shades available on request.

Tips

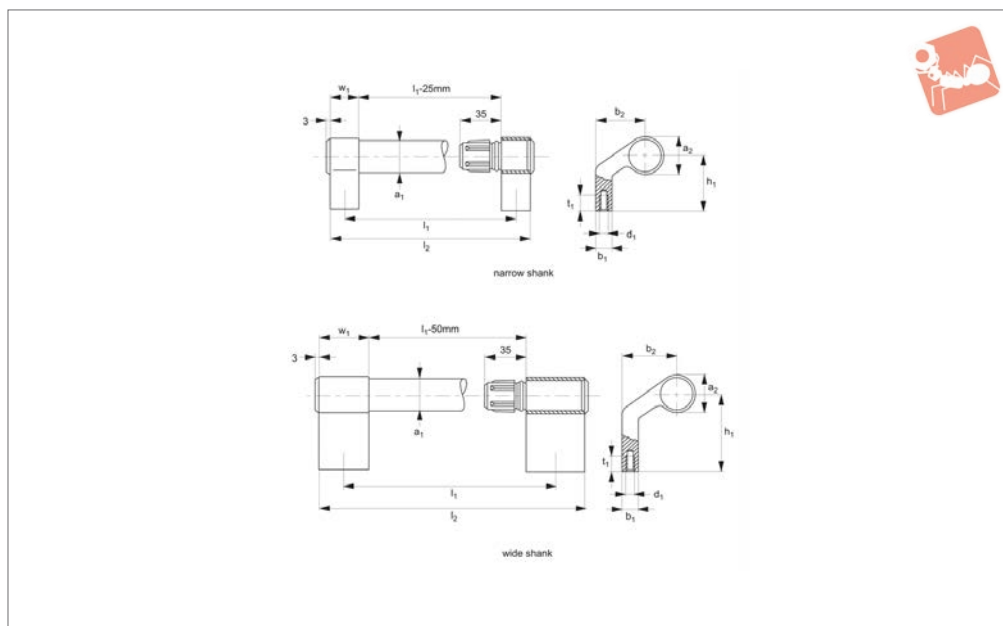
Especially suited for food and medical

Order No.	Type	l_1	l_2	d_1	a_1	b_1	h_1	t_1	w_1
79900.W0120	Type One	120	144	M 6	15.0	22	46	12	24
79900.W0140	Type One	140	168	M 8	17.0	25	53	15	28
79900.W0520	Type Two	120	-	M 6	10.5	22	39	12	24
79900.W0540	Type Two	140	-	M 8	12.0	25	45	15	28
79900.W0560	Type Two	160	-	M 8	13.5	28	52	15	32



Pull Handles

offset tube, Clean line



79920

PULL HANDLES

Material

Handle shank: extruded aluminium AlMg Si 0,5, powder coated to RAL9002, grey white.

Handle tube: extruded aluminium, AlMg Si 0,5, Ø30x1,5mm, powder coated to RAL9002, grey white.

Shank insert: polyamide PA 6, glass ball reinforced in similar colour shade.

Technical Notes

Torsionally stiff and splash-proof seat; edges rounded by vibratory grinding. Minimum stress resistance >1000N.

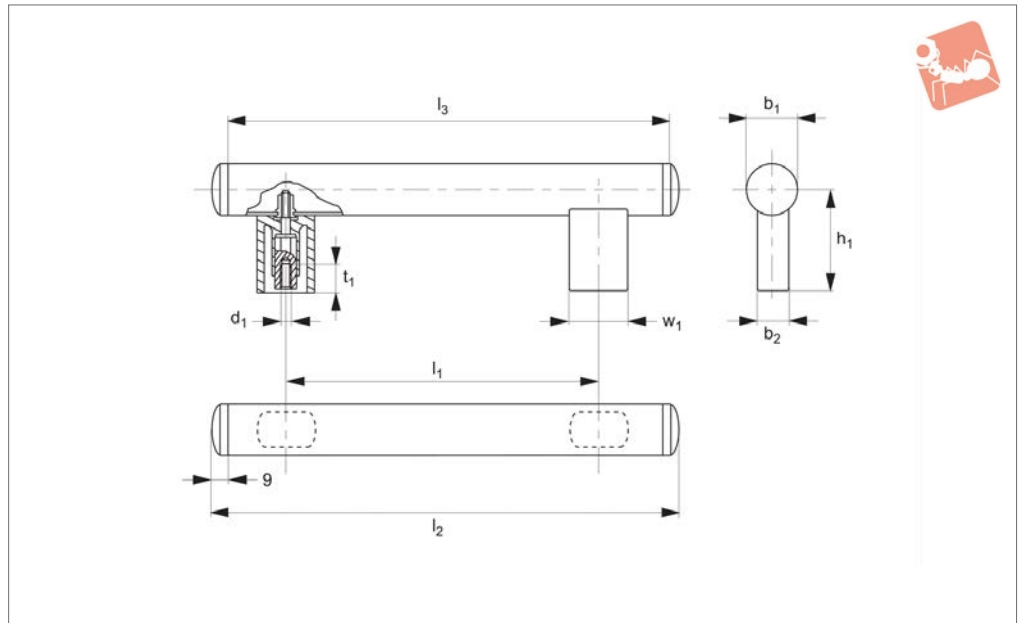
Tips

Especially suited for food and medical industries. All handle lengths and RAL shades are available on request.

Order No.	Type	l_1	l_2	d_1	a_1	a_2	b_1	b_2	h_1	w_1
79920.W0020	Narrow Shank	200	250	M 8	Ø30 x 1,5	33	15	45	50	25
79920.W0025	Narrow Shank	250	300	M 8	Ø30 x 1,5	33	15	45	50	25
79920.W0030	Narrow Shank	300	350	M 8	Ø30 x 1,5	33	15	45	50	25
79920.W0035	Narrow Shank	350	400	M 8	Ø30 x 1,5	33	15	45	50	25
79920.W0040	Narrow Shank	400	450	M 8	Ø30 x 1,5	33	15	45	50	25
79920.W0050	Narrow Shank	500	550	M 8	Ø30 x 1,5	33	15	45	50	25
79920.W0060	Narrow Shank	600	650	M 8	Ø30 x 1,5	33	15	45	50	25
79920.W0120	Wide Shank	200	250	M 8	Ø30 x 1,5	33	15	55	70	50
79920.W0125	Wide Shank	250	300	M 8	Ø30 x 1,5	33	15	55	70	50
79920.W0130	Wide Shank	300	350	M 8	Ø30 x 1,5	33	15	55	70	50
79920.W0135	Wide Shank	350	400	M 8	Ø30 x 1,5	33	15	55	70	50
79920.W0140	Wide Shank	400	450	M 8	Ø30 x 1,5	33	15	55	70	50
79920.W0150	Wide Shank	500	550	M 8	Ø30 x 1,5	33	15	55	70	50
79920.W0160	Wide Shank	600	650	M 8	Ø30 x 1,5	33	15	55	70	50



79930



Material

Handle shank: polyamide (PA 6), glass bead reinforced, semi-gloss in RAL9002 grey white.

Handle tube: aluminium section, ALMgSi 0,5, $\text{\O}30 \times 1,5\text{mm}$, powered coated in RAL9002 grey white.

Tube holder and tube cap: polyamide PA6 glass ball reinforced in similar RAL colour shade.

Technical Notes

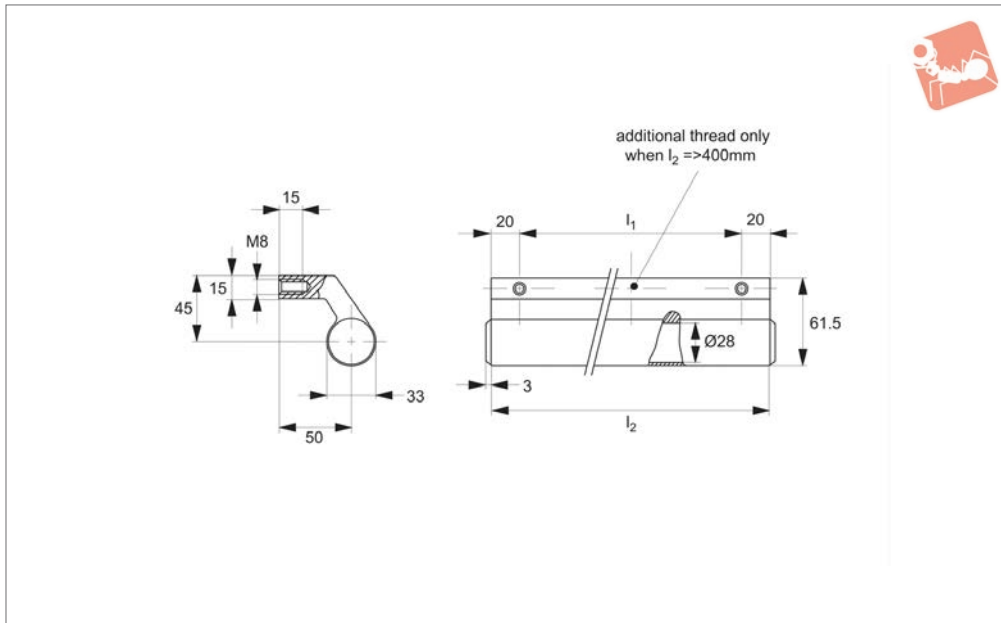
Non detachable blind rivet nuts ensure that the handle tube cannot be torn out of

its connection to the shank. Minimum stress resistance 800N.

Tips

Especially suited for food and medical industries. All handle lengths and RAL shades are available on request.

Order No.	l_1	l_2	l_3	d_1	b_1	b_2	h_1	t_1	w_1
79930.W0200	200	288	270	M 6	30 x 1,5	20	60	17	34
79930.W0250	250	338	320	M 6	30 x 1,5	20	60	17	34
79930.W0300	300	388	300	M 6	30 x 1,5	20	60	17	34
79930.W0350	350	438	420	M 6	30 x 1,5	20	60	17	34
79930.W0400	400	488	470	M 6	30 x 1,5	20	60	17	34
79930.W0500	500	588	570	M 6	30 x 1,5	20	60	17	34
79930.W0600	600	688	670	M 6	30 x 1,5	20	60	17	34



79960

PULL HANDLES

Material

Aluminium section AlMgSi 0.5 powder coated in RAL 9002 grey white. Cover caps made of polyamide PA 6, glass-bead reinforced in similar colour shade.

Technical Notes

Minimum stress resistance >1000N.

Tips

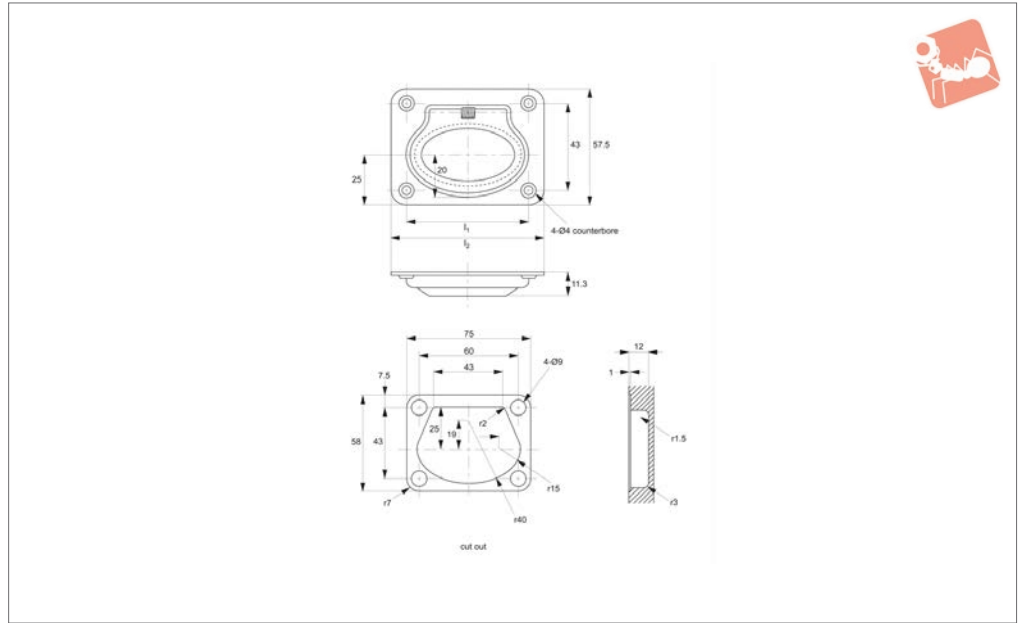
Handles in a special heavy-duty design. All

handle lengths and RAL shades available on request.

Order No.	l_1	l_2
79960.W0110	110	150
79960.W0160	160	200
79960.W0210	210	250
79960.W0260	260	300
79960.W0310	310	350
79960.W0360	360	400
79960.W0460	460	500
79960.W0560	560	600



79711



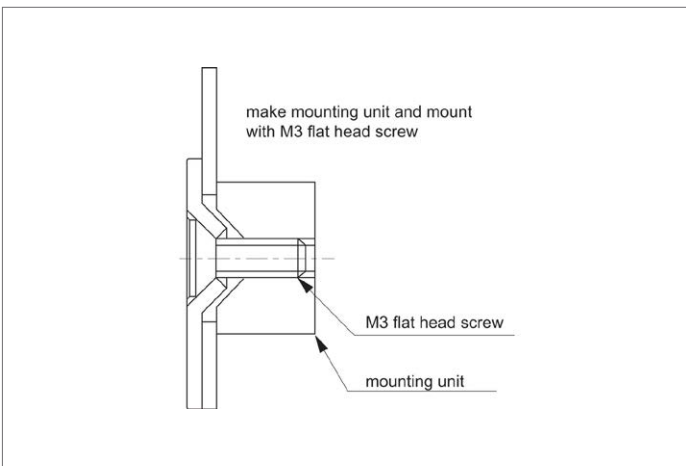
Material

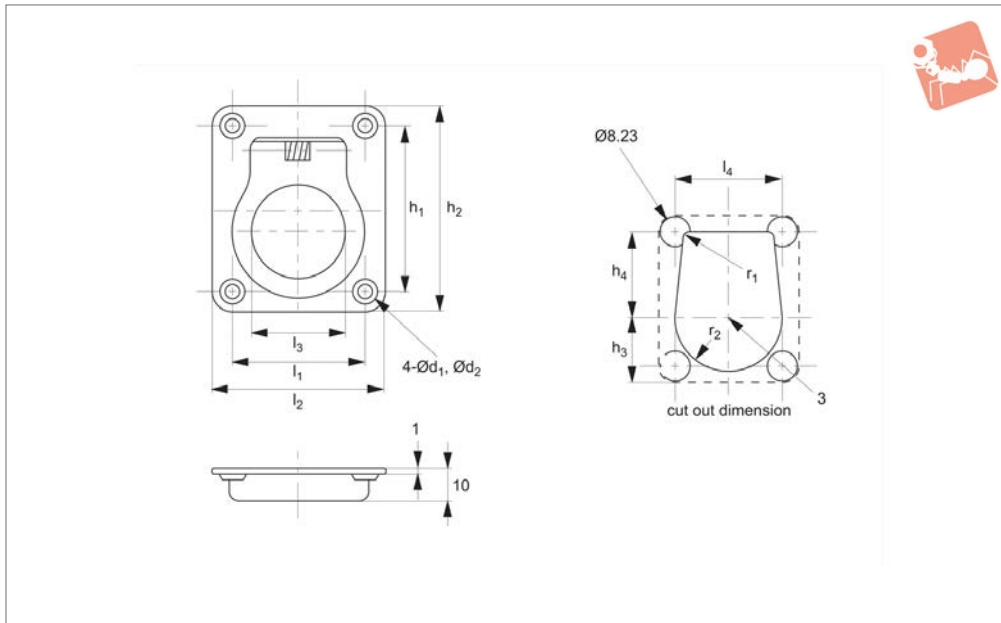
AISI 304 stainless steel, polished.

Technical Notes

Supplied with stainless steel screws (3.8x16).

Order No.	l_1	l_2	Weight g
79711.W0110	60	75	51





79720

PULL HANDLES

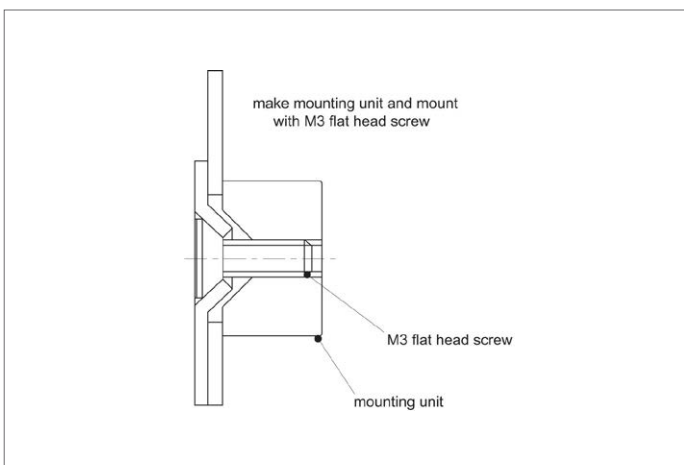
Material

AISI 304 stainless steel, polished.

Technical Notes

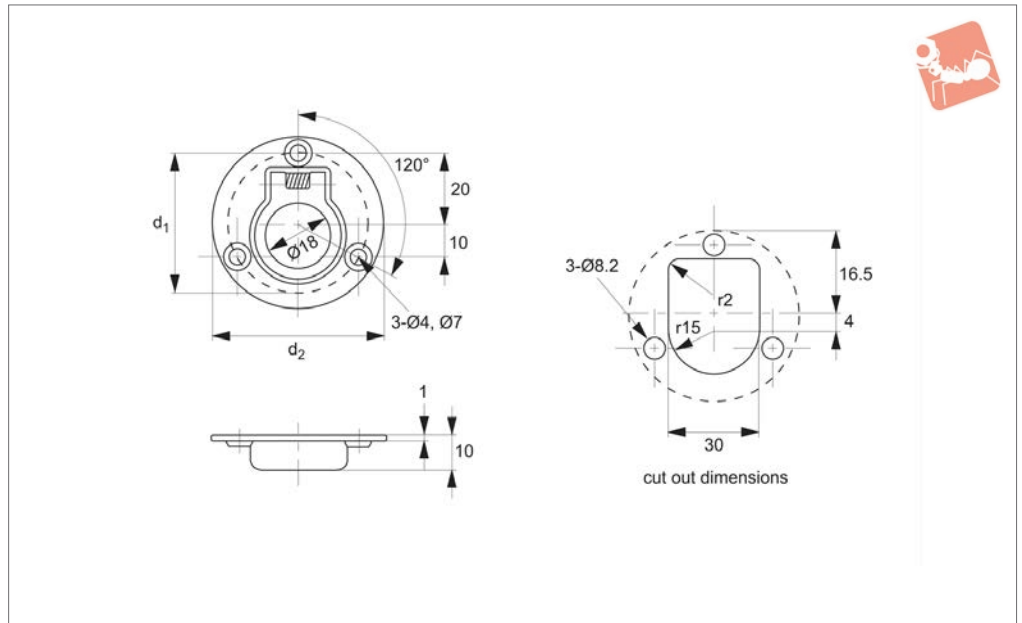
Supplied with stainless steel screws.

Order No.	l_1	d_1	d_2	h_1	h_2	h_3	h_4	l_2	l_3	l_4	r_1	$\varnothing r_2$	Weight g
79720.W0010	28	4.0	6.2	34	44	19	19.5	38	18	24.5	14.2	31	21
79720.W0020	35	4.4	7.0	45	60	25	25.0	50	27	25.0	19.5	41	36





79730



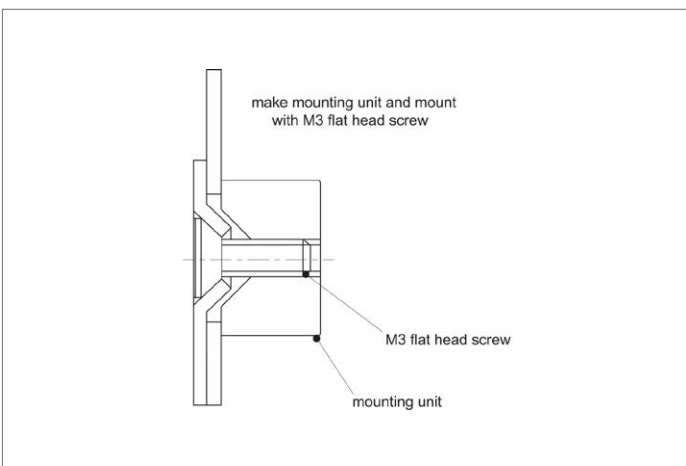
Material

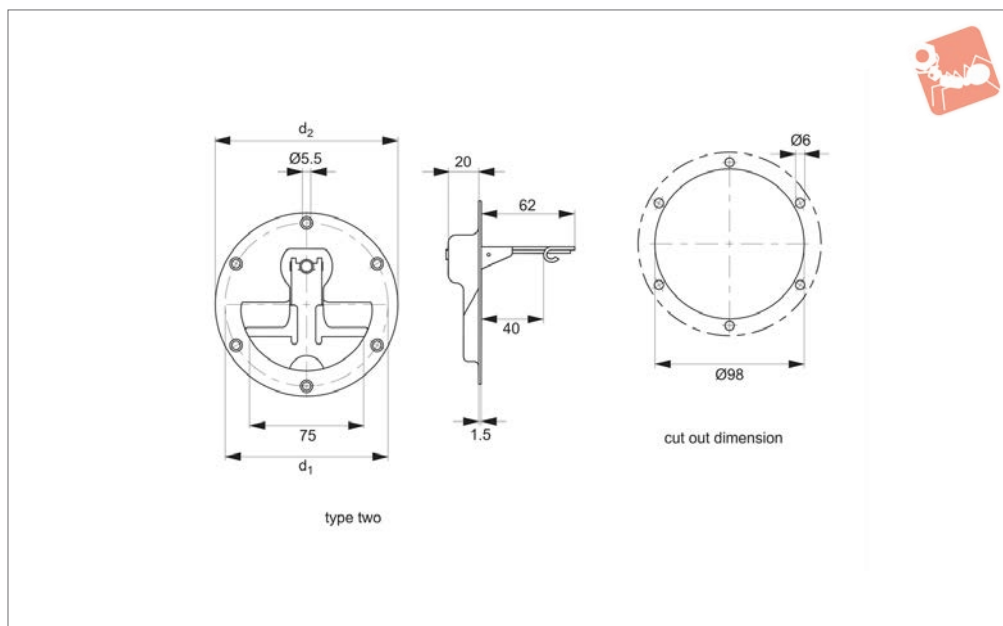
AISI 304 stainless steel, polished.

Technical Notes

Supplied with stainless steel screws (3.8x16).

Order No.	d_1	d_2	Weight g
79730.W0010	40	50	23





79740

PULL HANDLES

Material

AISI 304 stainless steel, polished.

returns the handle to its resting position when released.

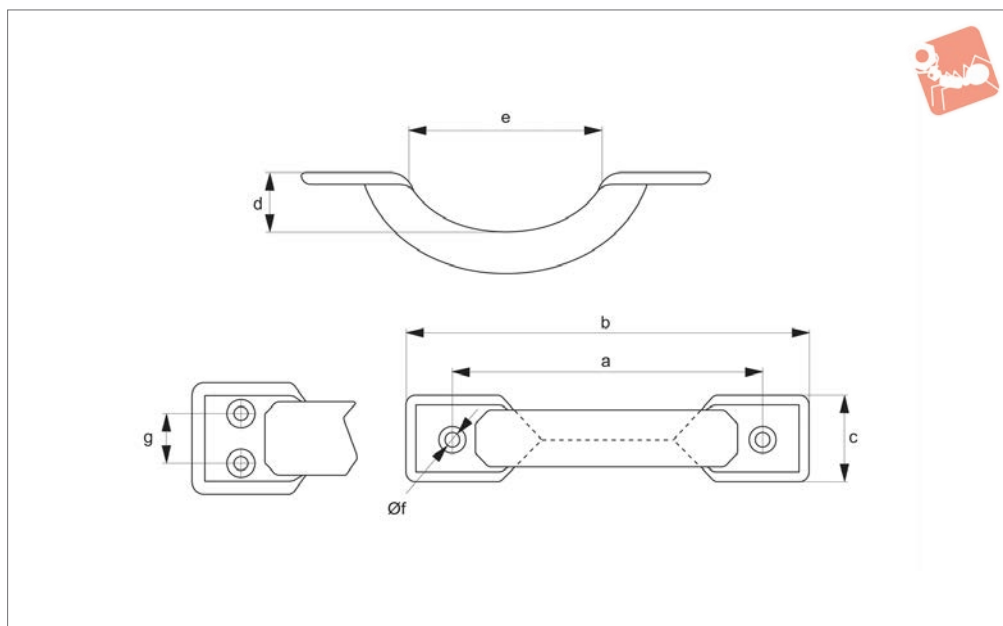
Technical Notes

Incorporates a pull-back spring which

Order No.	Type	d ₁	d ₂
79740.W0120	Type Two	107	120



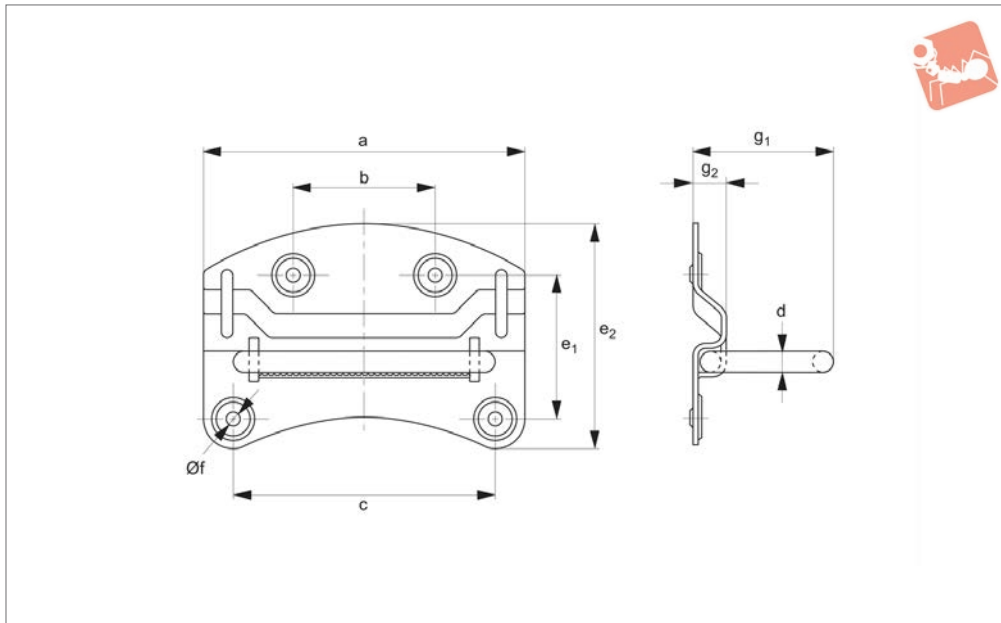
79583



Material

Steel, nickel plated.

Order No.	Finish	a	b	c	d	e	g	Ø f	Weight g
79583.W0001	Nickel Plated Steel	66	80	18.5	13	38	-	3.2	20
79583.W0101	Nickel Plated Steel	83	100	21.5	13	48	-	3.2	20
79583.W0121	Nickel Plated Steel	99	120	24.5	16	60	-	3.2	20
79583.W0141	Nickel Plated Steel	121	140	28.5	19	70	13	3.2	20
79583.W0161	Nickel Plated Steel	140	160	29.5	24	80	13	3.2	20



79584

PULL HANDLES

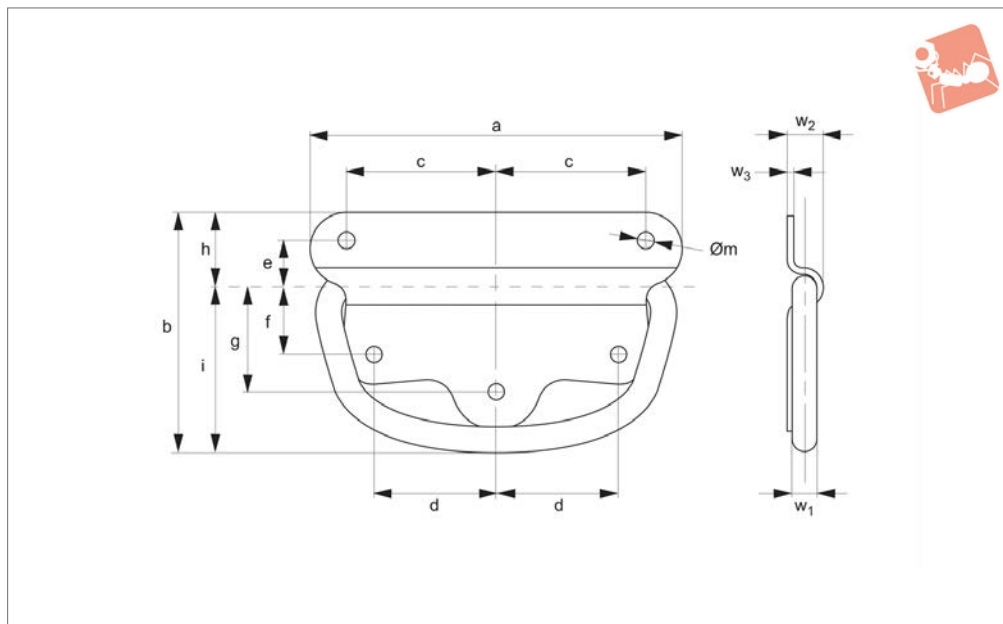
Material

Steel, brass or zinc plated.

Order No.	Finish	a	b	c	d	e ₁	e ₂	g ₁	g ₂	Ø f	Weight g
79584.W0002	Brass Plated Steel	90	42	72	6.5	40	67	40	9	4.2	90
79584.W0112	Brass Plated Steel	110	57	84	6.5	48	84	55	13	4.5	90
79584.W0004	Zinc Plated Steel	90	42	72	6.5	40	67	40	9	4.2	90
79584.W0114	Zinc Plated Steel	110	57	84	6.5	48	84	55	13	4.5	90



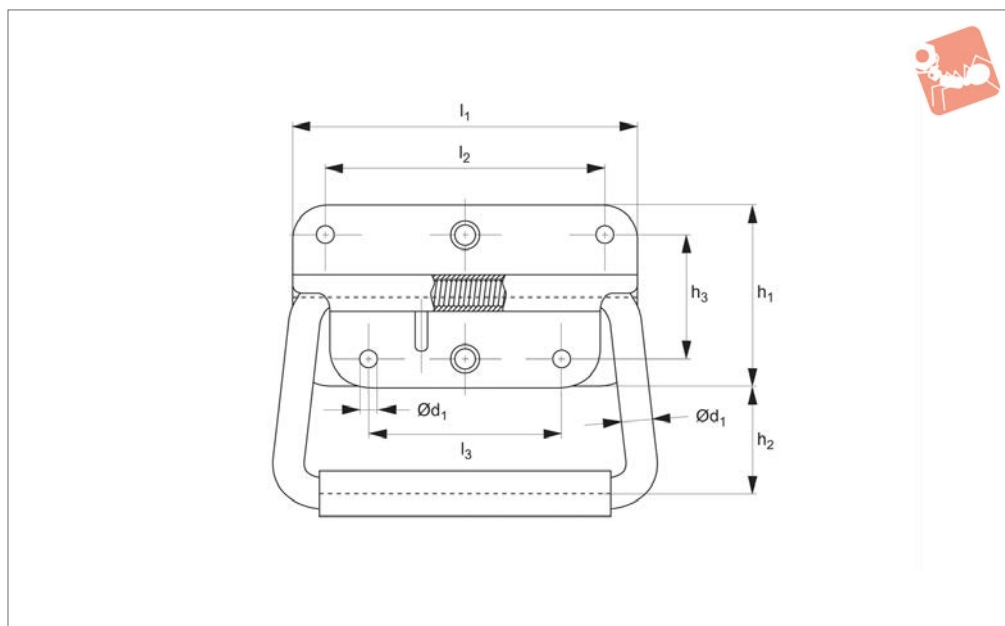
79585



Material

Steel, brass or zinc plated.

Order No.	Finish	a	b	c	d	e	f	g	Ø m	h	i	w ₁	w ₂	w ₃	Weight g
79585.W0008	Brass	80	56.0	33.0	27.0	11	13	20	4.0	18	38.0	6.0	9	1	90
79585.W0009	Brass	90	61.0	37.5	30.0	11	20	28	4.4	17	44.0	6.5	9	1	90
79585.W0010	Brass	100	62.5	40.0	32.5	12	18	28	4.4	19	43.5	6.5	9	1	90
79585.W0011	Brass	110	66.5	45.0	37.5	13	25	37	5.0	19	47.5	7.0	9	1	90
79585.W0408	Zinc	80	56.0	33.0	27.0	11	13	20	4.0	18	38.0	6.0	9	1	90
79585.W0409	Zinc	90	61.0	37.5	30.0	11	20	28	4.4	17	44.0	6.5	9	1	90
79585.W0410	Zinc	100	62.5	40.0	32.5	12	18	28	4.4	19	43.5	6.5	9	1	90
79585.W0411	Zinc	110	66.5	45.0	37.5	13	25	37	5.0	19	47.5	7.0	9	1	90



79586

PULL HANDLES

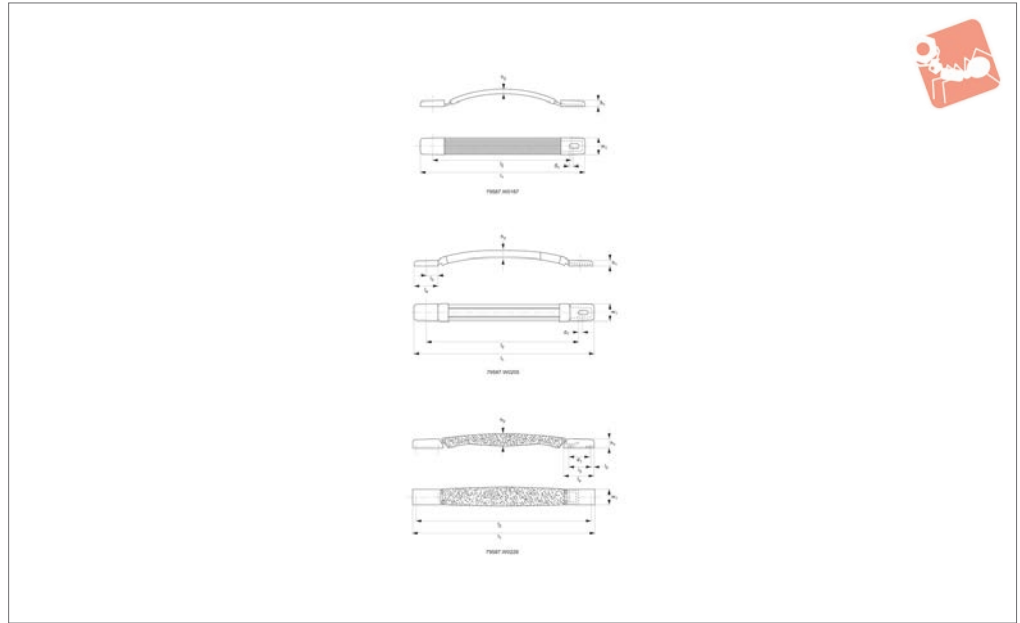
Material

Steel, zinc plated.

Order No.	Finish	Length available	$\text{Ø} d_1$	$\text{Ø} d_2$	h_1	h_2	h_3	l_1	l_2	l_3	Weight g
79586.W0004	Zinc plated steel	100mm	8	5.2	54	30	36.5	103	82.5	57	120



79587



Material

Black handles of soft plastic, 49620.W0187 & 49620.W0205 with steel spring inside.

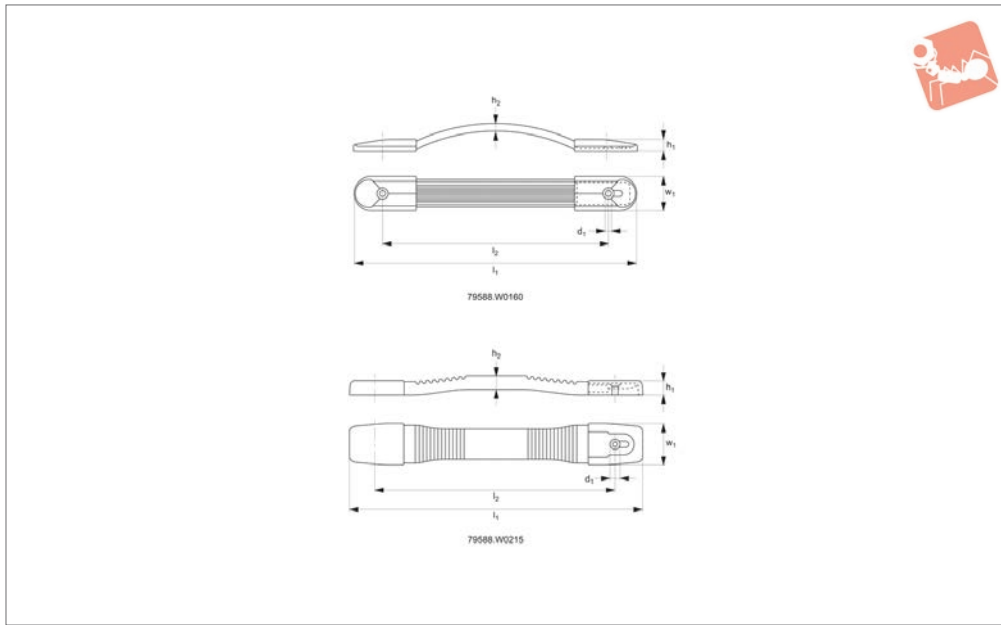
Nickel plated steel cover caps.

tions.

Technical Notes

For instruments, cases and similar applica-

Order No.	d_1	h_1	h_2	l_1	l_2	w_1	Stress resistance N
79587.W0187	4.5	8.6	8.0	223	187	23.3	300



79588

PULL HANDLES

Material

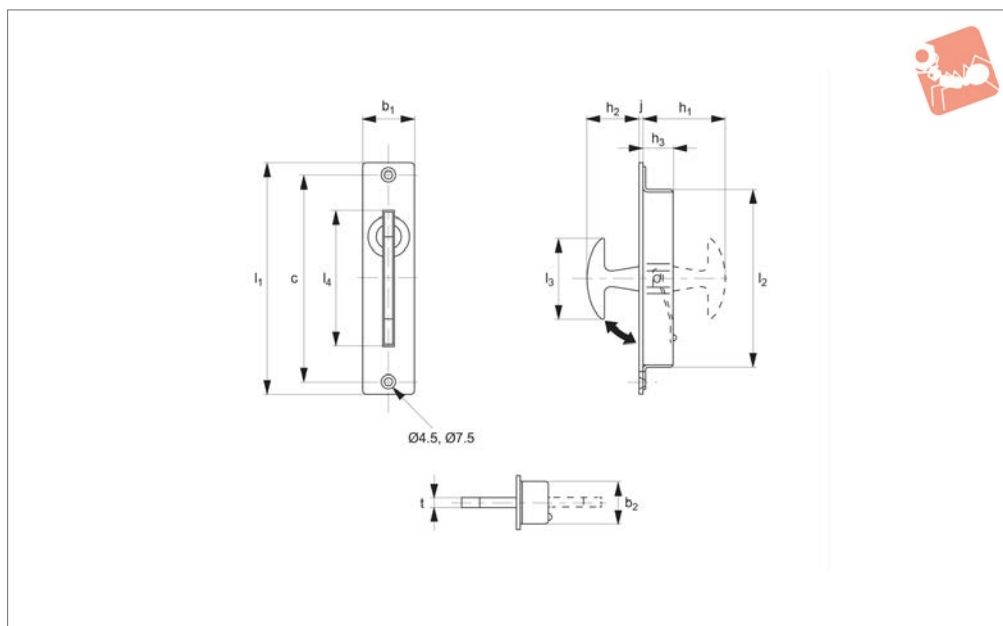
Handles made of black soft plastic with a steel spring inside and black plastic cover

caps. For front mounting with countersunk screws (not included in delivery).

Order No.	d_1	h_1	h_2	l_1	l_2	w_1	Stress resistance N
79588.W0215	5.3	13	12	268	215	37	400
79588.W0160	4.3	8.5	5	203	160	25	400



79690



Material

AISI 304 stainless steel, satin finish.

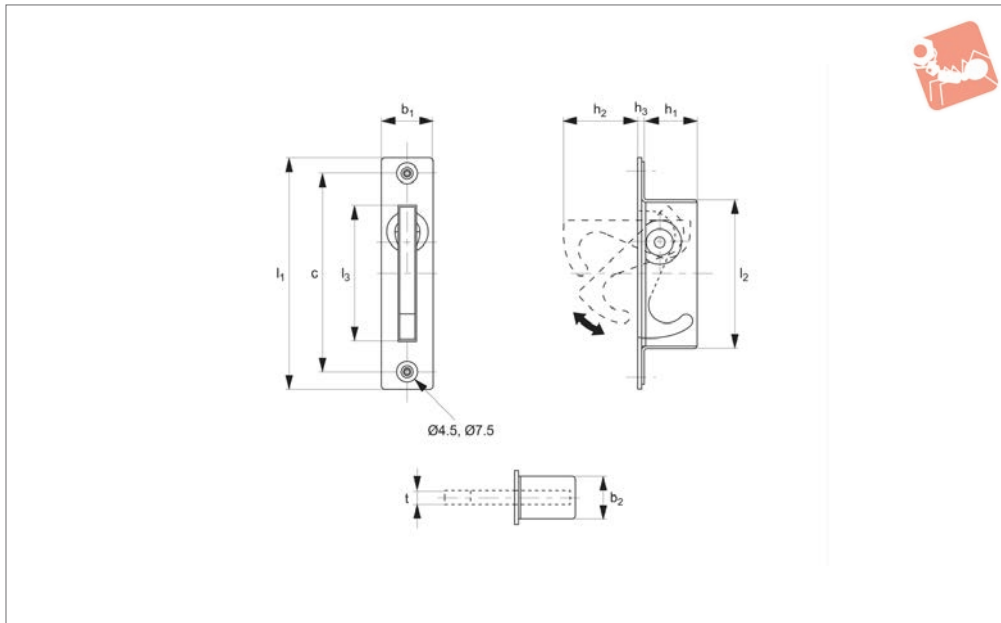
Technical Notes

Supplied with stainless steel screws.

Important Notes

T-handle design. Handle is concealed when not in use.

Order No.	l_1	l_2	l_3	l_4	h_1	h_2	h_3	j	b_1	b_2	t	c	Weight g
79690.W0090	90	66.2	30.2	57	35.5	23.2	10.5	2.2	22	18.5	3.8	80	68
79690.W0115	115	86.2	40.0	67	42.0	26.0	13.0	2.5	25	20.0	4.0	102	102



79700

PULL HANDLES

Material

AISI 304 stainless steel, satin finish.

Technical Notes

Supplied with stainless steel screws.

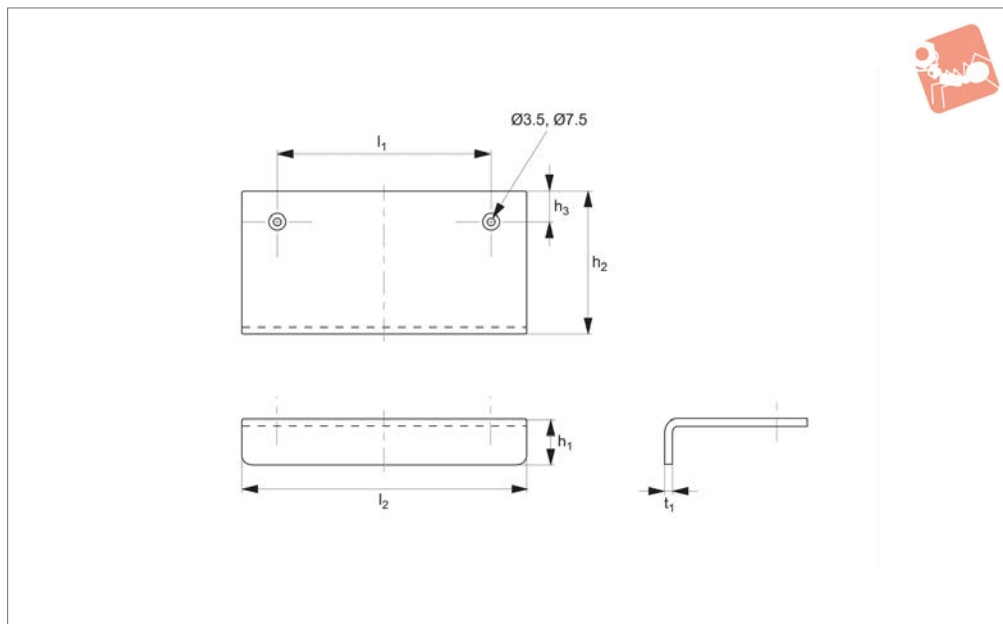
Important Notes

Hook design. Handle is concealed when not in use.

Order No.	l_1	l_2	l_3	h_1	h_2	h_3	b_1	b_2	t	c	Weight g
79700.W0080	80	50	44	18	25	2	18	15	5	68	48
79700.W0100	100	63	54	21	32	2	20	15	5	85	66



79590



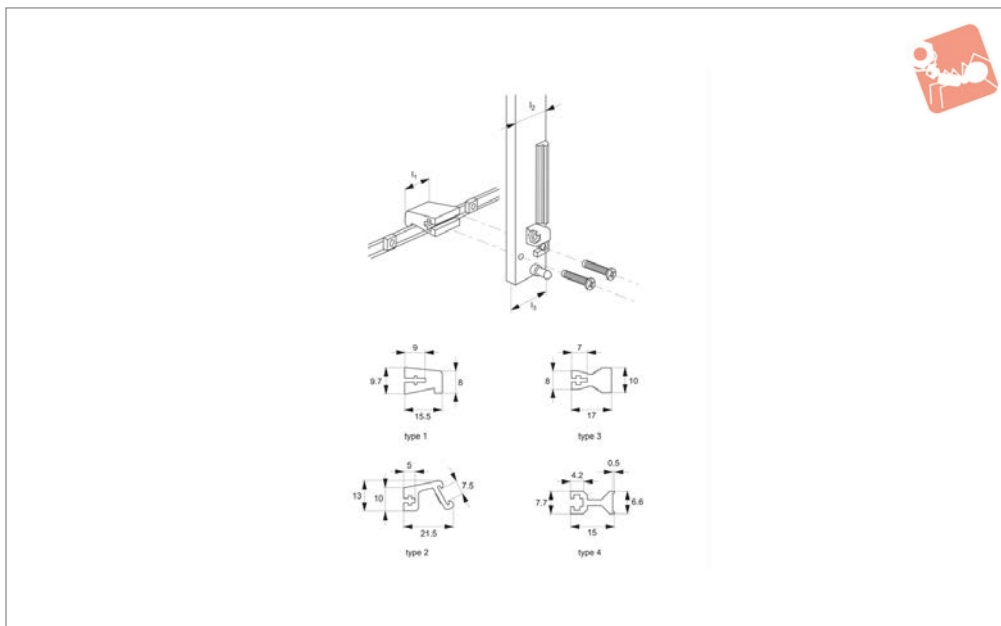
Material

AISI 304 stainless steel, mirror finish.

Technical Notes

Supplied with stainless steel screws (3.5x20).

Order No.	l_2	h_1	h_2	h_3	l_1	t_1	Weight g
79590.W0050	50	17	38	8	30	2.5	47
79590.W0070	70	17	38	8	46	2.5	65
79590.W0095	95	18	38	8	65	2.5	90



79600

PULL HANDLES

Material

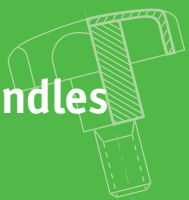
Profiled aluminium AlMgSi 0,5. Vibration ground and anodised, matt finish.

Technical Notes

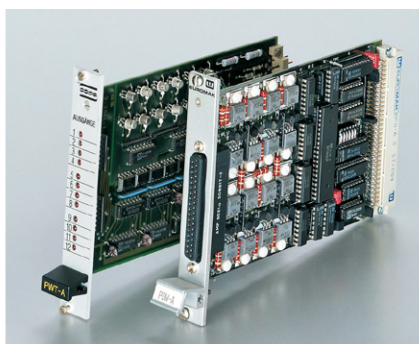
All panel handles have a cross slot to suit

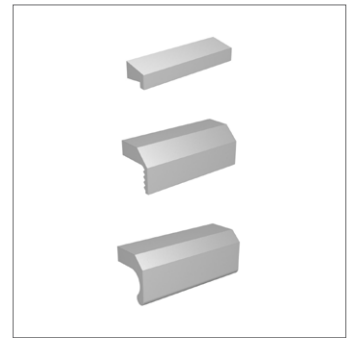
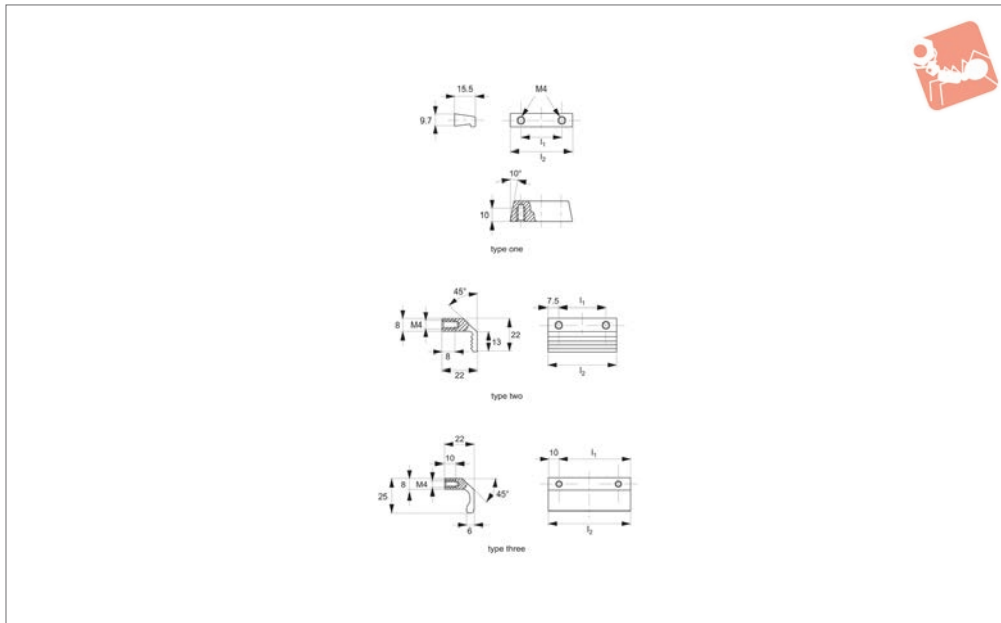
either M2,5 screw heads (DIN 933) or nuts DIN 935/562 or 934. TE = unit of grid division (grid scale 5,08mm)
R = TE x 5,08mm. B is approx. R - 0,3mm. L is approx. R - 0,6mm.

Order No.	Type	Colour	l ₂	l ₁	l ₃	Te
79600.W0114-1	One	Natural	15	14.6	15.2	3
79600.W0114-4	One	Black	15	14.6	15.2	3
79600.W0119-1	One	Natural	20.1	19.7	20.3	4
79600.W0119-4	One	Black	20.1	19.7	20.3	4
79600.W0124-1	One	Natural	25.1	24.8	25.4	5
79600.W0124-4	One	Black	25.1	24.8	25.4	5
79600.W0129-1	One	Natural	30.2	29.9	30.5	6
79600.W0129-4	One	Black	30.2	29.9	30.5	6
79600.W0140-1	One	Natural	40.4	40.0	40.6	8
79600.W0140-4	One	Black	40.4	40	40.6	8
79600.W0160-1	One	Natural	60.4	60.3	60.7	12
79600.W0160-4	One	Black	60.4	60.3	60.7	12
79600.W0170-1	One	Natural	70.9	70.5	71.1	14
79600.W0170-4	One	Black	70.9	70.5	71.1	14
79600.W0199-1	One	Natural	101.3	101.0	101.6	20
79600.W0199-4	One	Black	101.3	101.0	101.6	20
79600.W0214-1	Two	Natural	15	14.6	15.2	3
79600.W0214-4	Two	Black	15	14.6	15.2	3
79600.W0219-1	Two	Natural	20.1	19.7	20.3	4
79600.W0219-4	Two	Black	20.1	19.7	20.3	4
79600.W0224-1	Two	Natural	25.1	24.8	25.4	5
79600.W0224-4	Two	Black	25.1	24.8	25.4	5
79600.W0229-1	Two	Natural	30.2	29.9	30.5	6
79600.W0229-4	Two	Black	30.2	29.9	30.5	6
79600.W0240-1	Two	Natural	40.4	40.0	40.6	8
79600.W0240-4	Two	Black	40.4	40	40.6	8
79600.W0260-1	Two	Natural	60.4	60.3	60.7	12
79600.W0260-4	Two	Black	60.4	60.3	60.7	12
79600.W0270-1	Two	Natural	70.9	70.5	71.1	14
79600.W0270-4	Two	Black	70.9	70.5	71.1	14
79600.W0299-1	Two	Natural	101.3	101.0	101.6	20
79600.W0299-4	Two	Black	101.3	101.0	101.6	20
79600.W0314-1	Three	Natural	15	14.6	15.2	3



Order No.	Type	Colour	l_2	l_1	l_3	T_e
79600.W0314-4	Three	Black	15	14.6	15.2	3
79600.W0319-1	Three	Natural	20.1	19.7	20.3	4
79600.W0319-4	Three	Black	20.1	19.7	20.3	4
79600.W0324-1	Three	Natural	25.1	24.8	25.4	5
79600.W0324-4	Three	Black	25.1	24.8	25.4	5
79600.W0329-1	Three	Natural	30.2	29.9	30.5	6
79600.W0329-4	Three	Black	30.2	29.9	30.5	6
79600.W0340-1	Three	Natural	40.4	40.0	40.6	8
79600.W0340-4	Three	Black	40.4	40	40.6	8
79600.W0360-1	Three	Natural	60.4	60.3	60.7	12
79600.W0360-4	Three	Black	60.4	60.3	60.7	12
79600.W0370-1	Three	Natural	70.9	70.5	71.1	14
79600.W0370-4	Three	Black	70.9	70.5	71.1	14
79600.W0399-1	Three	Natural	101.3	101.0	101.6	20
79600.W0399-4	Three	Black	101.3	101.0	101.6	20
79600.W0414-1	Four	Natural	15	14.6	15.2	3
79600.W0414-4	Four	Black	15	14.6	15.2	3
79600.W0419-1	Four	Natural	20.1	19.7	20.3	4
79600.W0419-4	Four	Black	20.1	19.7	20.3	4
79600.W0424-1	Four	Natural	25.1	24.8	25.4	5
79600.W0424-4	Four	Black	25.1	24.8	25.4	5
79600.W0429-1	Four	Natural	30.2	29.9	30.5	6
79600.W0429-4	Four	Black	30.2	29.9	30.5	6
79600.W0440-1	Four	Natural	40.4	40.0	40.6	8
79600.W0440-4	Four	Black	40.4	40	40.6	8
79600.W0460-1	Four	Natural	60.4	60.3	60.7	12
79600.W0460-4	Four	Black	60.4	60.3	60.7	12
79600.W0470-1	Four	Natural	70.9	70.5	71.1	14
79600.W0470-4	Four	Black	70.9	70.5	71.1	14
79600.W0499-1	Four	Natural	101.3	101.0	101.6	20
79600.W0499-4	Four	Black	101.3	101.0	101.6	20





79610

PULL HANDLES

Material

Profiled aluminium AlMgSi 0.5. Vibration ground, and anodized with a matt finish in natural colour or black.

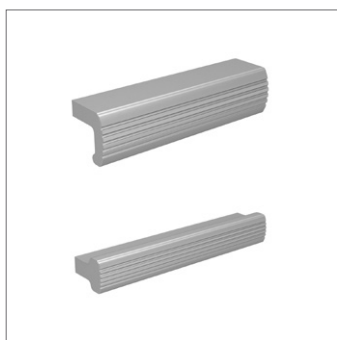
Technical Notes

Minimum stress resistance 200N.

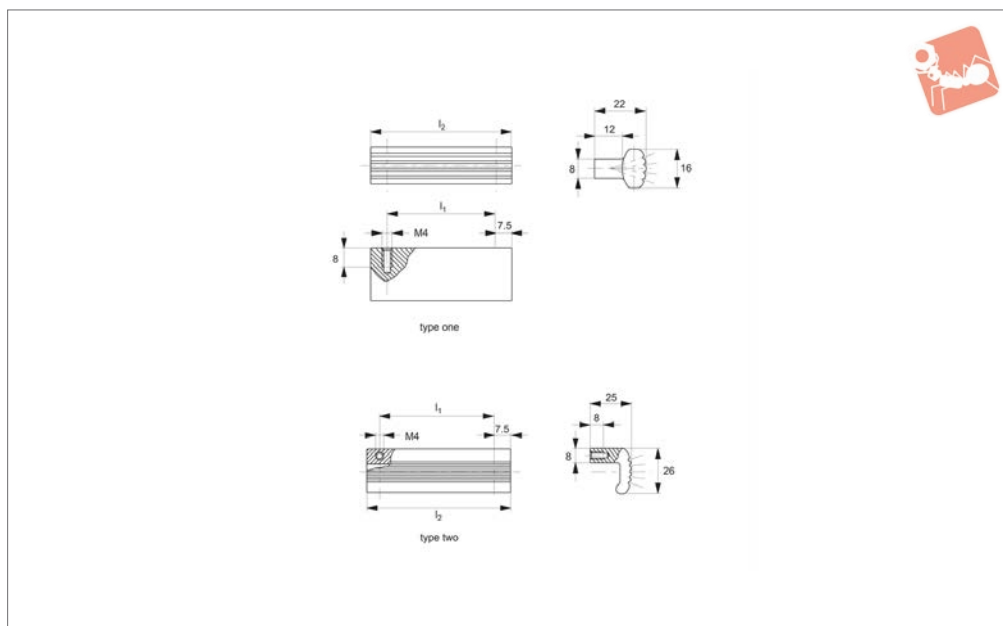
Important Notes

Any other handle lengths available upon request.

Order No.	Type	Colour	l_2	l_1
79610.W0045-1	Type One	Natural	60	45
79610.W0045-4	Type One	Black	60	45
79610.W0070-1	Type One	Natural	85	70
79610.W0070-4	Type One	Black	85	70
79610.W0090-1	Type One	Natural	105	90
79610.W0090-4	Type One	Black	105	90
79610.W0099-1	Type One	Natural	120	105
79610.W0099-4	Type One	Black	120	105
79610.W0145-1	Type Two	Natural	60	45
79610.W0145-4	Type Two	Black	60	45
79610.W0170-1	Type Two	Natural	85	70
79610.W0170-4	Type Two	Black	85	70
79610.W0190-1	Type Two	Natural	105	90
79610.W0190-4	Type Two	Black	105	90
79610.W0199-1	Type Two	Natural	120	105
79610.W0199-4	Type Two	Black	120	105
79610.W0245-1	Type Three	Natural	65	45
79610.W0245-4	Type Three	Black	65	45
79610.W0264-1	Type Three	Natural	84	64
79610.W0264-4	Type Three	Black	84	64
79610.W0270-1	Type Three	Natural	90	70
79610.W0270-4	Type Three	Black	90	70
79610.W0280-1	Type Three	Natural	100	80
79610.W0280-4	Type Three	Black	100	80
79610.W0290-1	Type Three	Natural	110	90
79610.W0290-4	Type Three	Black	110	90



79620



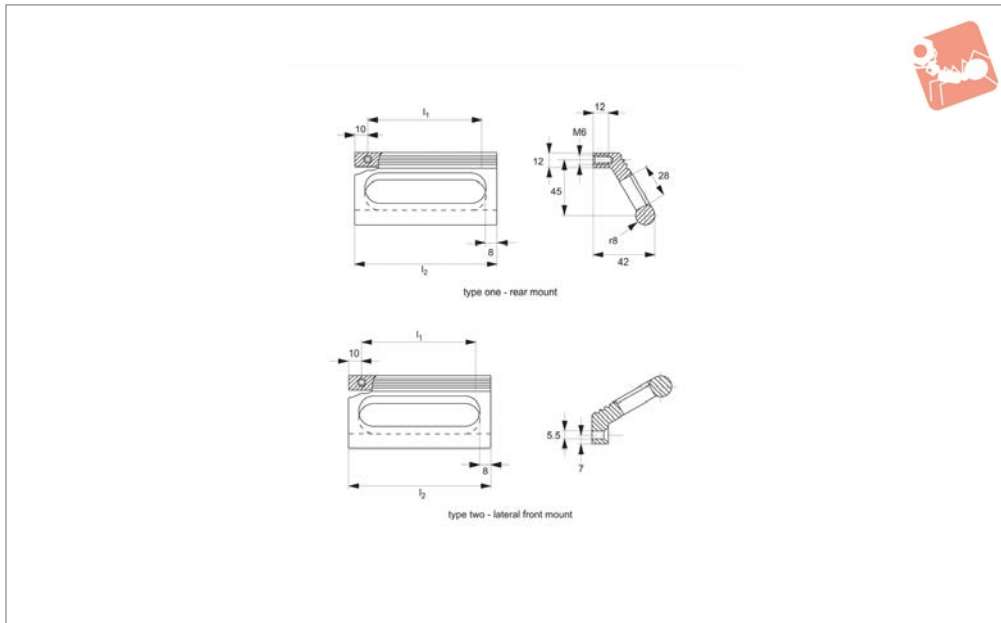
Material

Profiled aluminium AlMgSi 0.5. Vibro-polished and anodized to a matt finish.

Technical Notes

Minimum stress resistance 200N.

Order No.	Type	Finish	l_2	l_1
79620.W0030-1	One	Natural	45	30
79620.W0030-4	One	Black	45	30
79620.W0045-1	One	Natural	60	45
79620.W0045-4	One	Black	60	45
79620.W0070-1	One	Natural	85	70
79620.W0070-4	One	Black	85	70
79620.W0090-1	One	Natural	105	90
79620.W0090-4	One	Black	105	90
79620.W0105-1	One	Natural	120	105
79620.W0105-4	One	Black	120	105
79620.W0120-1	One	Natural	135	120
79620.W0120-4	One	Black	135	120
79620.W0530-1	Two	Natural	45	30
79620.W0530-4	Two	Black	45	30
79620.W0545-1	Two	Natural	60	45
79620.W0545-4	Two	Black	60	45
79620.W0570-1	Two	Natural	85	70
79620.W0570-4	Two	Black	85	70
79620.W0590-1	Two	Natural	105	90
79620.W0590-4	Two	Black	105	90
79620.W0605-1	Two	Natural	120	105
79620.W0605-4	Two	Black	120	105
79620.W0620-1	Two	Natural	135	120
79620.W0620-4	Two	Black	135	120



79630

PULL HANDLES

Material

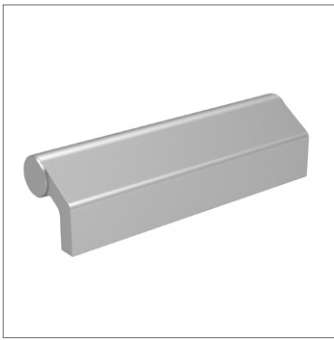
Profile aluminium AlMgSi 0,5. Satin finish anodized in 3 colours.

Technical Notes

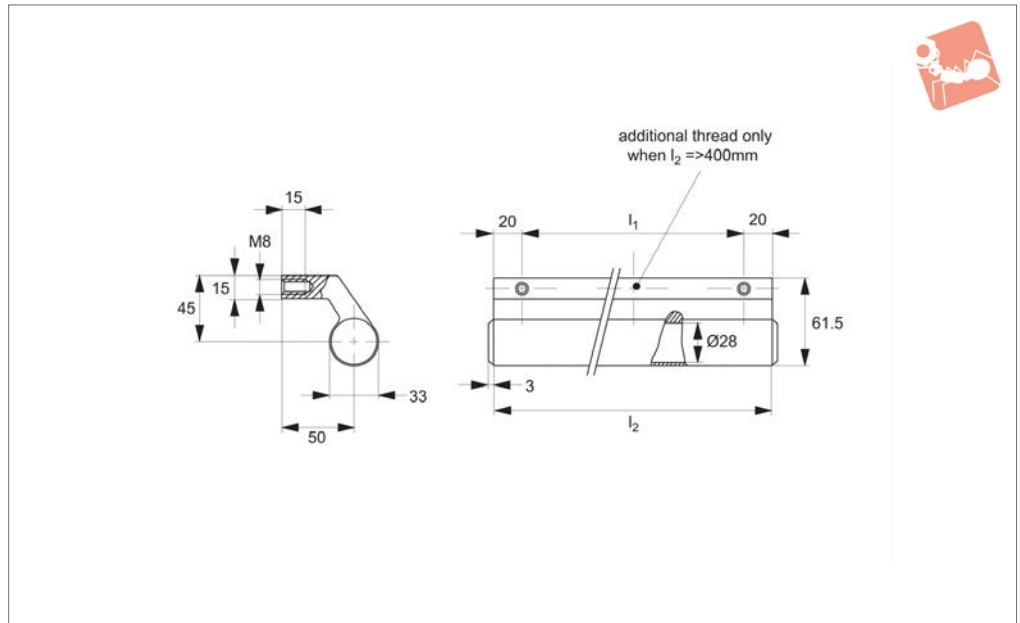
Type one: internal thread M 6. Minimum stress resistance 500N.

Type two: through hole for M 5 counter sunk screw, lateral assembly.

Order No.	Type	Finish	l_2	l_1
79630.W0086-1	One	Natural	106	86
79630.W0086-4	One	Black	106	86
79630.W0100-1	One	Natural	120	100
79630.W0100-4	One	Black	120	100
79630.W0120-1	One	Natural	140	120
79630.W0120-4	One	Black	140	120
79630.W0586-1	Two	Natural	106	86
79630.W0586-4	Two	Black	106	86
79630.W0600-1	Two	Natural	120	100
79630.W0600-4	Two	Black	120	100
79630.W0620-1	Two	Natural	140	120
79630.W0620-4	Two	Black	140	120



79650



Material

Handle: aluminium section AlMgSi 0.5.
Semi-gloss anodizing in natural colour or black powder coated with fine structure.
End caps: polyamide, black, with fine-grain

structure.

Technical Notes

Minimum stress resistance >1000N.

Tips

For sliding doors and drawers in machinery and technical plants, also suitable as edge protection.

Order No.	Colour	l_2	l_1
79650.W0110-1	Natural	150	110
79650.W0110-4	Black	150	110
79650.W0160-1	Natural	200	160
79650.W0160-4	Black	200	160
79650.W0210-1	Natural	250	210
79650.W0210-4	Black	250	210
79650.W0260-1	Natural	300	260
79650.W0260-4	Black	300	260
79650.W0310-1	Natural	350	310
79650.W0310-4	Black	350	310
79650.W0360-1	Natural	400	360
79650.W0360-4	Black	400	360
79650.W0460-1	Natural	500	460
79650.W0460-4	Black	500	460
79650.W0560-1	Natural	600	560
79650.W0560-4	Black	600	560