

79820

PULL HANDLES

Material

Oval profiled aluminium AlMgSi 0.5. Vibration ground and powder coated in RAL 9002 grey white.

Tips

Especially suited for food and medical industries. Other RAL shades available on request.

Technical Notes

Minimum stress resistance >1000N.

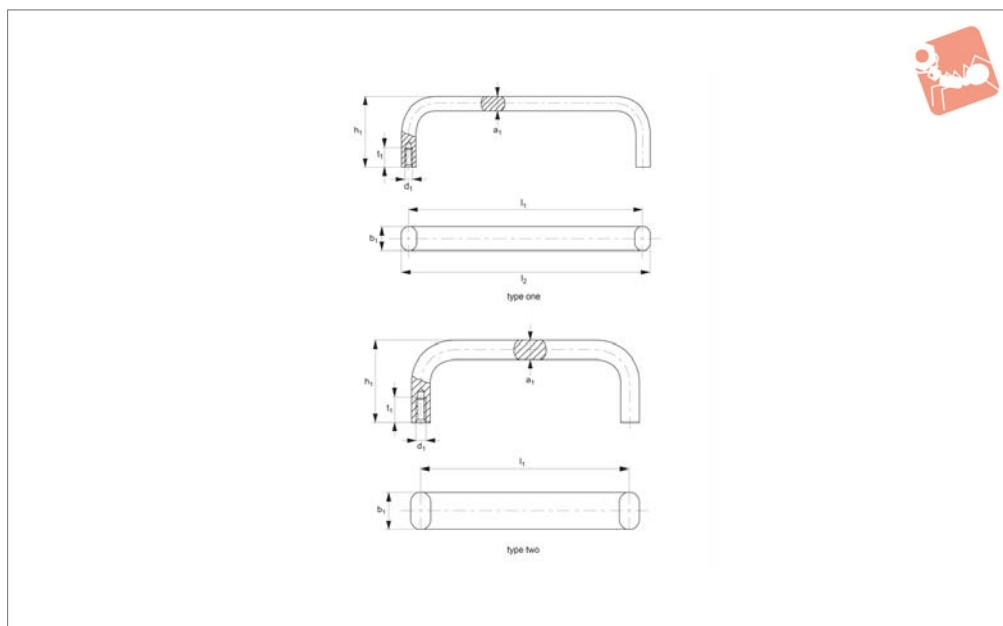
Order No.	Type	l_1	d_1	a_1	b_1	h_1	t_1
79820.W0010	Type One	100	M 6	13	20	50	12
79820.W0013	Type One	128	M 6	13	20	50	12
79820.W0016	Type One	160	M 6	13	20	50	12
79820.W0114	Type Two	140	M 8	17	26	55	14
79820.W0116	Type Two	160	M 8	17	26	55	14
79820.W0118	Type Two	180	M 8	17	26	55	14
79820.W0119	Type Two	192	M 8	17	26	55	14
79820.W0135	Type Two	350	M 8	17	26	55	14



PULL HANDLES



79830



Material

Flat-oval profiled aluminum AlMgSi 0.5.
Vibration ground and powder coated in RAL 9002 grey white.

Tips

Especially suited for food and medical industries. Other RAL shades are available on request.

Technical Notes

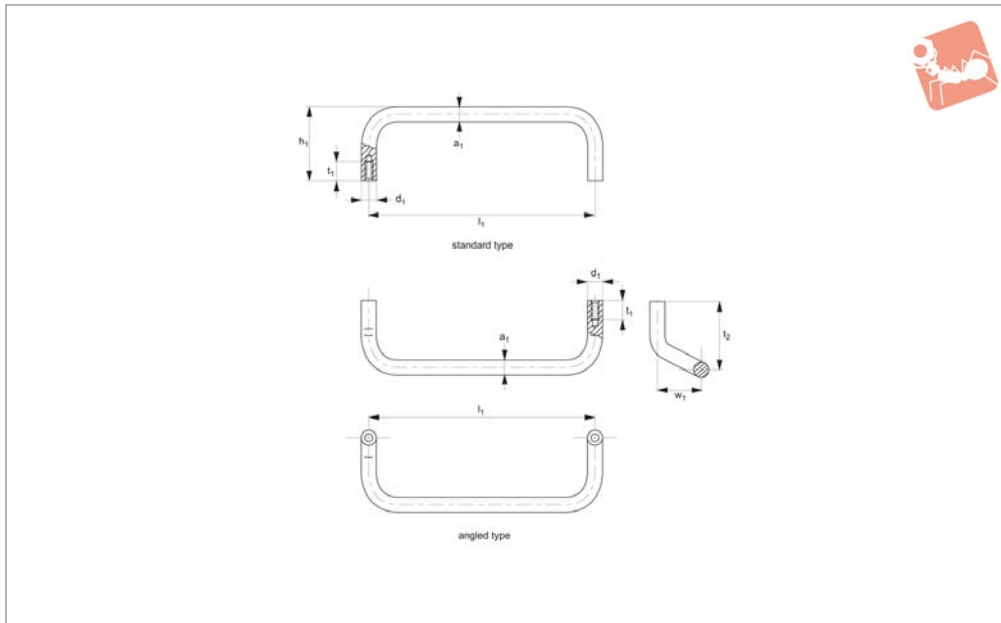
Minimum stress resistance 500N.

Order No.	Type	l_1	l_2	d_1	a_1	b_1	h_1	t_1
79830.W0005	Type One	55	63	M 5	8	12	40	10
79830.W0008	Type One	88	96	M 5	8	12	40	10
79830.W0010	Type One	100	108	M 5	8	12	40	10
79830.W0012	Type One	120	128	M 5	8	12	40	10
79830.W0018	Type One	180	188	M 5	8	12	40	10
79830.W0020	Type One	200	208	M 5	8	12	40	10
79830.W0023	Type One	235	243	M 5	8	12	40	10
79830.W0025	Type One	250	258	M 5	8	12	40	10
79830.W0112	Type Two	120	130	M 5	10	20	45	10
79830.W0114	Type Two	140	150	M 5	10	20	45	10
79830.W0118	Type Two	180	190	M 5	10	20	45	10
79830.W0120	Type Two	200	210	M 5	10	20	45	10
79830.W0135	Type Two	350	360	M 6	10	20	45	12



Pull Handles

aluminium, Clean line



79840

PULL HANDLES

Material

Profile aluminium AlMgSi 0.5. Vibration ground and powder-coated in RAL 9002 grey white.

Technical Notes

Minimum stress resistance 500N.

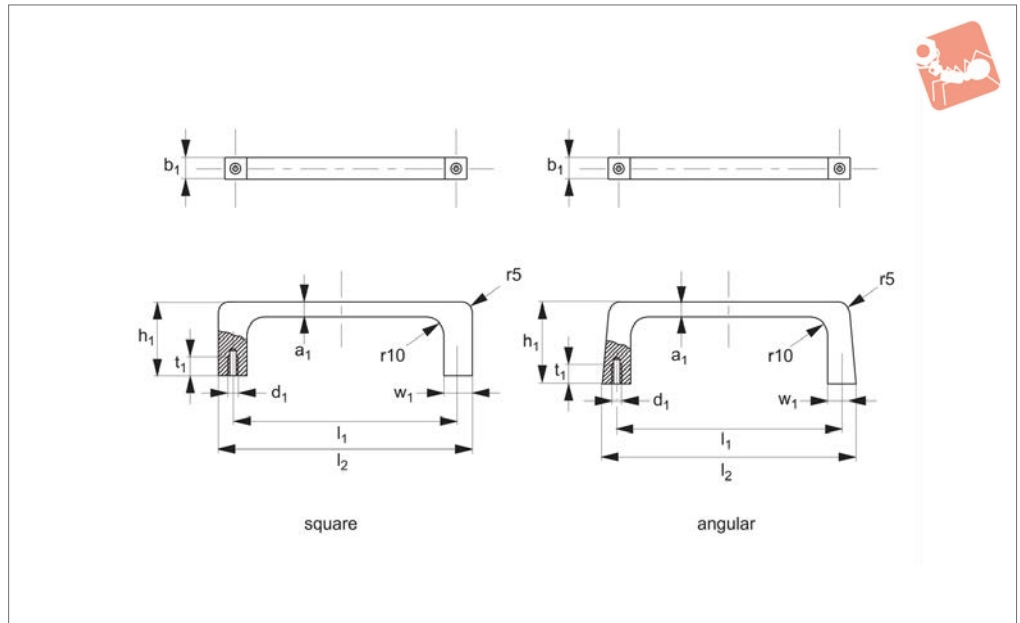
Tips

Especially suited for food and medical industries.

Order No.	Type	l_1	d_1	a_1	h_1	t_1	t_2	w_1
79840.W0005	Standard	55	M 5	Ø10	40	10	-	-
79840.W0008	Standard	88	M 5	Ø10	40	10	-	-
79840.W0010	Standard	100	M 5	Ø10	40	10	-	-
79840.W0012	Standard	120	M 5	Ø10	40	10	-	-
79840.W0018	Standard	180	M 5	Ø10	40	10	-	-
79840.W0020	Standard	200	M 5	Ø10	40	10	-	-
79840.W0023	Standard	235	M 5	Ø10	40	10	-	-
79840.W0025	Standard	250	M 5	Ø10	40	10	-	-
79840.W0108	Angled	86	M 5	Ø10	-	10	40	30
79840.W0112	Angled	120	M 5	Ø10	-	10	40	30
79840.W0118	Angled	180	M 5	Ø10	-	10	40	30



79860



Material

Cut profiled, aluminium AlMgSi 0.5. Vibration ground and powder coated in RAL 9002 grey white.

Tips

Especially suited for food and medical industries. Other RAL shades are available on request.

Technical Notes

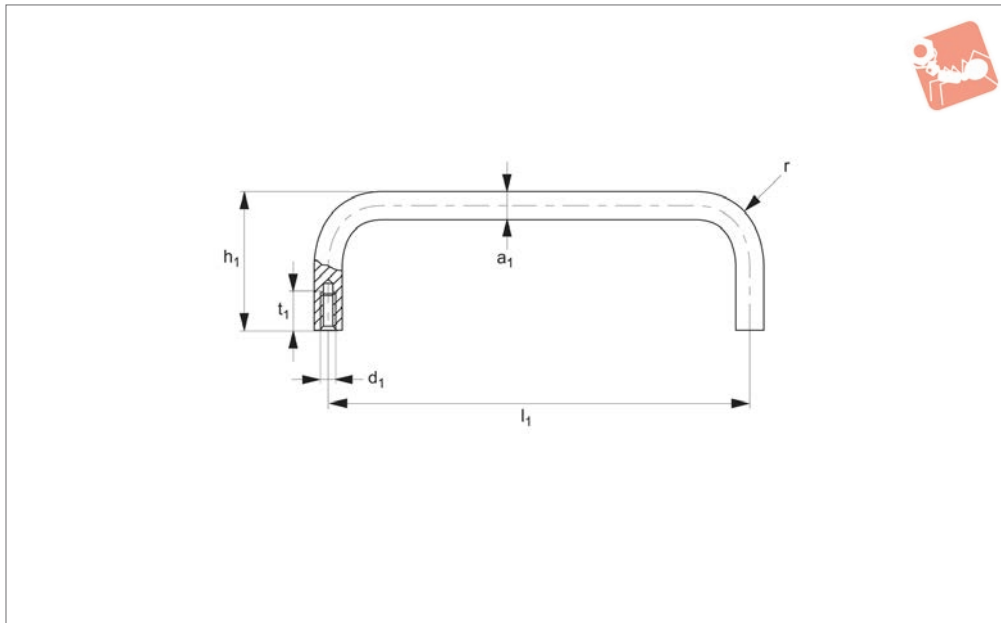
Minimum stress resistance 500N.

Order No.	Type	l_1	l_2	d_1	a_1	b_1	h_1	t_1	w_1
79860.W0005	Square	55	67	M 5	8	12	40	10	12
79860.W0008	Square	88	100	M 5	8	12	40	10	12
79860.W0012	Square	120	132	M 5	8	12	40	10	12
79860.W0018	Square	180	192	M 5	8	12	40	10	12
79860.W0023	Square	235	247	M 5	8	12	40	10	12
79860.W0102	Angular	25	40	M 5	8	12	46	10	12
79860.W0105	Angular	55	69	M 5	8	12	46	10	12
79860.W0108	Angular	88	102	M 5	8	12	46	10	12
79860.W0112	Angular	120	134	M 5	8	12	46	10	12
79860.W0118	Angular	180	194	M 5	8	12	46	10	12
79860.W0123	Angular	235	249	M 5	8	12	46	10	12



Pull Handles

aluminium, Clean line



79880

PULL HANDLES

Material

Round bar aluminium AlMgSi 0.5. Vibration ground and powder coated in RAL 9002 grey white.

Tips

Especially suited for food and medical industries. Other RAL shades are available on request.

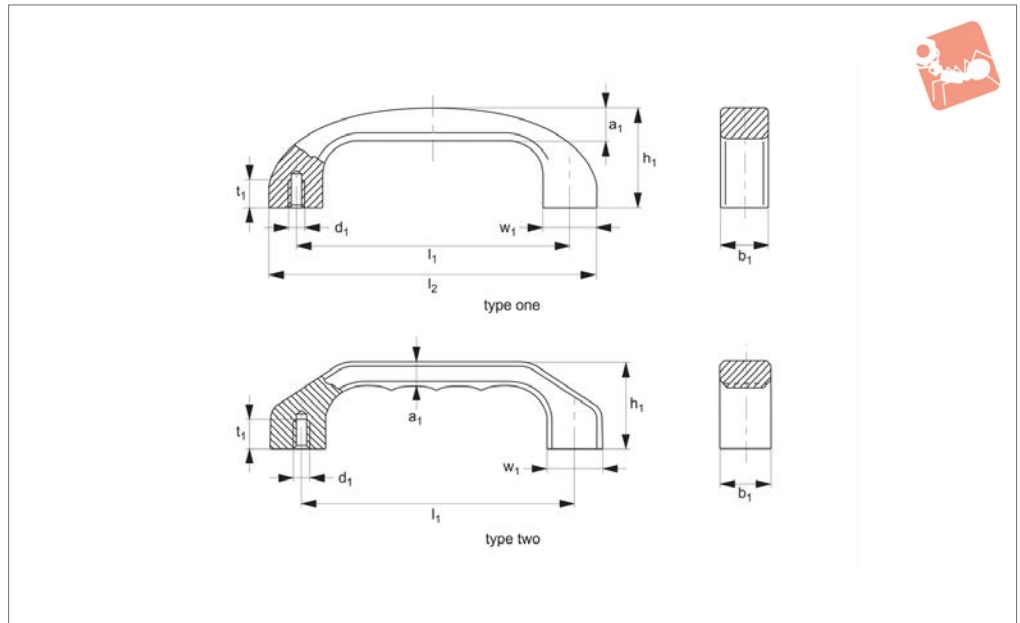
Technical Notes

Minimum stress resistance >1000N.

Order No.	Type	l_1	d_1	a	h_1	R	t_1
79880.W0120	Standard	200	M 8	20	70	22	15
79880.W0125	Standard	250	M 8	20	70	22	15
79880.W0130	Standard	300	M 8	20	70	22	15
79880.W0135	Standard	350	M 8	20	70	22	15
79880.W0140	Standard	400	M 8	20	70	22	15
79880.W0160	Standard	600	M 8	20	70	22	15
79880.W0220	Standard	200	M 8	25	85	28	15
79880.W0225	Standard	250	M 8	25	85	28	15
79880.W0230	Standard	300	M 8	25	85	28	15
79880.W0240	Standard	400	M 8	25	85	28	15
79880.W0260	Standard	600	M 8	25	85	28	15
79880.W0330	Standard	300	M10	30	100	34	15
79880.W0340	Standard	400	M10	30	100	34	15
79880.W0360	Standard	600	M10	30	100	34	15



79900



Material

Solid aluminium handles in a modern industrial design. Aluminium section AlMgSi 0.5. Vibration ground and powder coated in RAL 9002 grey white.

Technical Notes

Minimum stress resistance >1000N.

industries. Other RAL shades available on request.

Tips

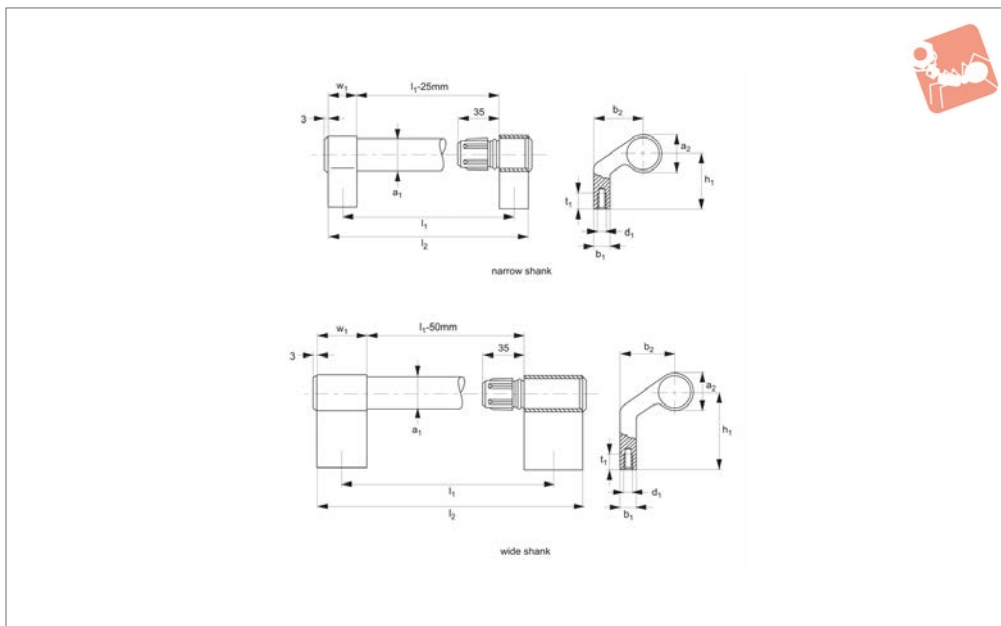
Especially suited for food and medical

Order No.	Type	l_1	l_2	d_1	a_1	b_1	h_1	t_1	w_1
79900.W0120	Type One	120	144	M 6	15.0	22	46	12	24
79900.W0140	Type One	140	168	M 8	17.0	25	53	15	28
79900.W0520	Type Two	120	-	M 6	10.5	22	39	12	24
79900.W0540	Type Two	140	-	M 8	12.0	25	45	15	28
79900.W0560	Type Two	160	-	M 8	13.5	28	52	15	32



Pull Handles

offset tube, Clean line



79920

PULL HANDLES

Material

Handle shank: extruded aluminium AlMg Si 0,5, powder coated to RAL9002, grey white.

Handle tube: extruded aluminium, AlMg Si 0,5, Ø30x1,5mm, powder coated to RAL9002, grey white.

Shank insert: polyamide PA 6, glass ball reinforced in similar colour shade.

Technical Notes

Torsionally stiff and splash-proof seat; edges rounded by vibratory grinding. Minimum stress resistance >1000N.

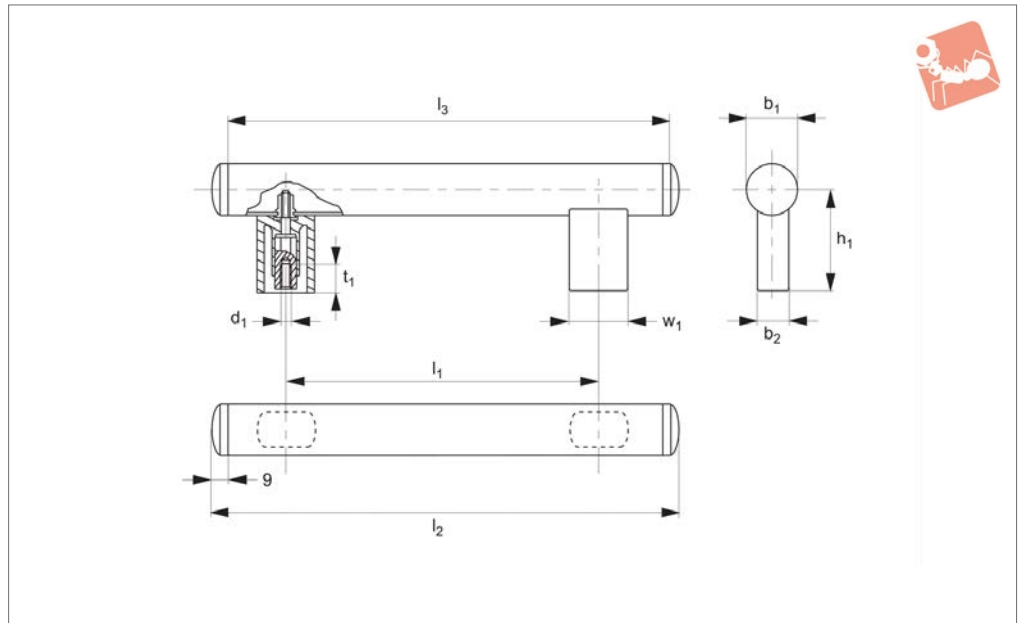
Tips

Especially suited for food and medical industries. All handle lengths and RAL shades are available on request.

Order No.	Type	l_1	l_2	d_1	a_1	a_2	b_1	b_2	h_1	w_1
79920.W0020	Narrow Shank	200	250	M 8	Ø30 x 1,5	33	15	45	50	25
79920.W0025	Narrow Shank	250	300	M 8	Ø30 x 1,5	33	15	45	50	25
79920.W0030	Narrow Shank	300	350	M 8	Ø30 x 1,5	33	15	45	50	25
79920.W0035	Narrow Shank	350	400	M 8	Ø30 x 1,5	33	15	45	50	25
79920.W0040	Narrow Shank	400	450	M 8	Ø30 x 1,5	33	15	45	50	25
79920.W0050	Narrow Shank	500	550	M 8	Ø30 x 1,5	33	15	45	50	25
79920.W0060	Narrow Shank	600	650	M 8	Ø30 x 1,5	33	15	45	50	25
79920.W0120	Wide Shank	200	250	M 8	Ø30 x 1,5	33	15	55	70	50
79920.W0125	Wide Shank	250	300	M 8	Ø30 x 1,5	33	15	55	70	50
79920.W0130	Wide Shank	300	350	M 8	Ø30 x 1,5	33	15	55	70	50
79920.W0135	Wide Shank	350	400	M 8	Ø30 x 1,5	33	15	55	70	50
79920.W0140	Wide Shank	400	450	M 8	Ø30 x 1,5	33	15	55	70	50
79920.W0150	Wide Shank	500	550	M 8	Ø30 x 1,5	33	15	55	70	50
79920.W0160	Wide Shank	600	650	M 8	Ø30 x 1,5	33	15	55	70	50



79930



Material

Handle shank: polyamide (PA 6), glass bead reinforced, semi -gloss in RAL9002 grey white.

Handle tube: aluminium section, ALMgSi 0,5, $\text{Ø}30 \times 1,5\text{mm}$, powered coated in RAL9002 grey white.

Tube holder and tube cap: polyamide PA6 glass ball reinforced in similar RAL colour shade.

Technical Notes

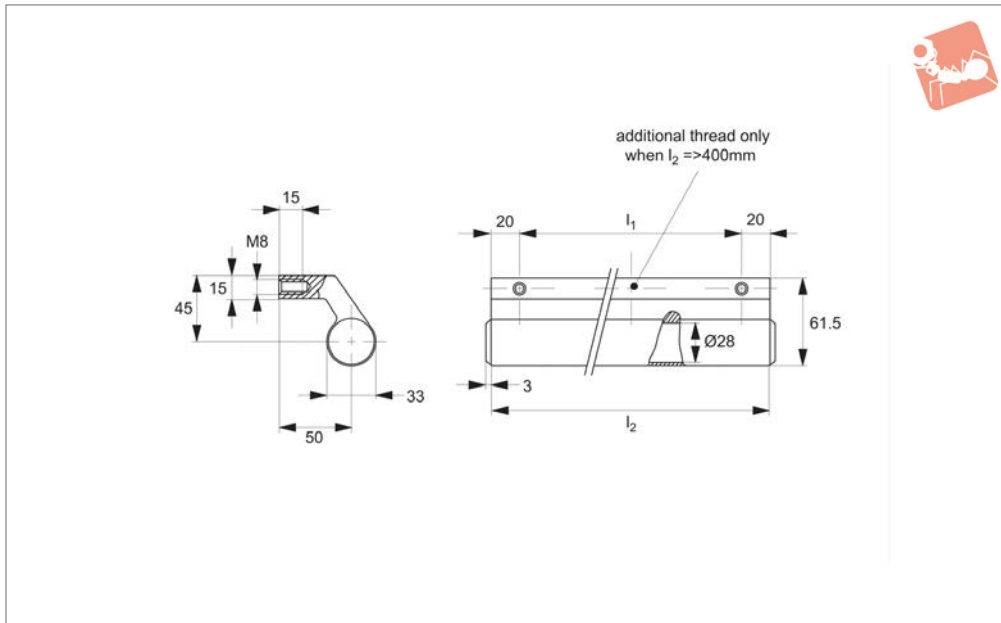
Non detachable blind rivet nuts ensure that the handle tube cannot be torn out of

its connection to the shank. Minimum stress resistance 800N.

Tips

Especially suited for food and medical industries. All handle lengths and RAL shades are available on request.

Order No.	l_1	l_2	l_3	d_1	b_1	b_2	h_1	t_1	w_1
79930.W0200	200	288	270	M 6	30 x 1,5	20	60	17	34
79930.W0250	250	338	320	M 6	30 x 1,5	20	60	17	34
79930.W0300	300	388	300	M 6	30 x 1,5	20	60	17	34
79930.W0350	350	438	420	M 6	30 x 1,5	20	60	17	34
79930.W0400	400	488	470	M 6	30 x 1,5	20	60	17	34
79930.W0500	500	588	570	M 6	30 x 1,5	20	60	17	34
79930.W0600	600	688	670	M 6	30 x 1,5	20	60	17	34



79960

PULL HANDLES

Material

Aluminium section AlMgSi 0.5 powder coated in RAL 9002 grey white. Cover caps made of polyamide PA 6, glass-bead reinforced in similar colour shade.

Technical Notes

Minimum stress resistance >1000N.

Tips

Handles in a special heavy-duty design. All

handle lengths and RAL shades available on request.

Order No.	l_1	l_2
79960.W0110	110	150
79960.W0160	160	200
79960.W0210	210	250
79960.W0260	260	300
79960.W0310	310	350
79960.W0360	360	400
79960.W0460	460	500
79960.W0560	560	600