

**78190**

PULL HANDLES

**Material**

Thermoplastic PA 6, glass ball reinforced, matt black.

**Technical Notes**

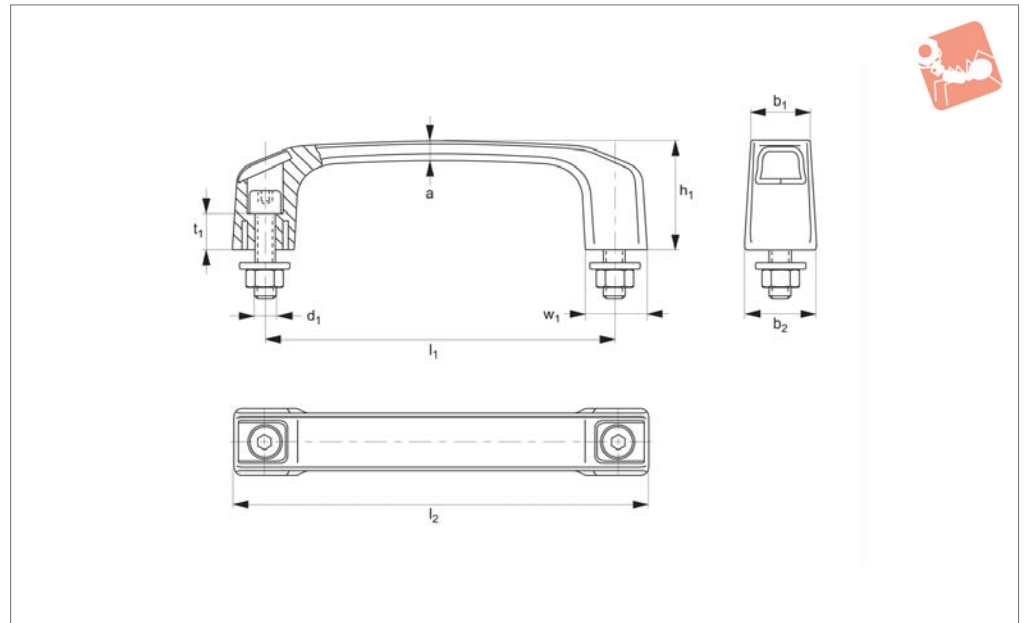
Ideal for applications where one-sided fastening required. Minimum stress resi-

stance 800N per handle.

Order No.	$l_1$	$l_2$	$a_1$	$b_1$	$d_1$	$h_1$	$t_1$	$w_1$
78190.W0017	17	128	20	30	M 5x45	48	33	18
78190.W0020	20	154	24	36	M 6x55	58	40	22



**79100**



### Material

Handle: thermoplastic PA 6 glass-ball reinforced. Matt black with attractive fine-grain structure. Blanking caps: in the same surface structure available in black, red, green, blue and yellow.

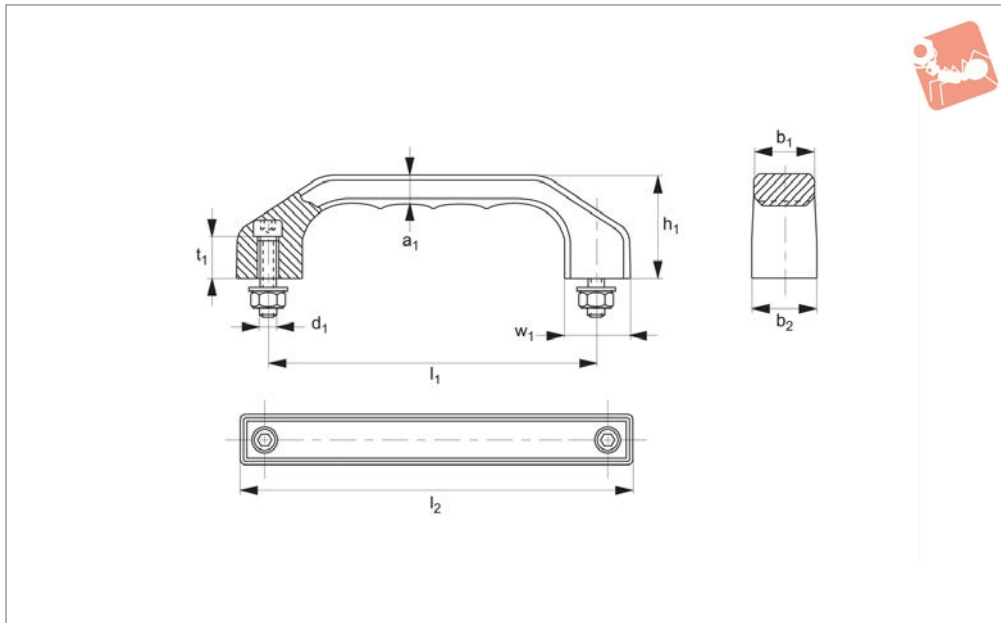
### Technical Notes

Includes electrogalvanized socket-head cap bolts DIN 912, nuts DIN 934 and washers DIN 125.  
Minimum stress resistance 1000N.

### Tips

Red - similar to RAL 3020  
Green - similar to RAL 6024  
Blue - similar to RAL 5017  
Yellow - similar to RAL 1023

Order No.	Cap colour	$l_1$	$l_2$	$a$	$b_1$	$b_2$	$d_1$	$h_1$	$t_1$	$w_1$
79100.W0120-9	Black	120	141	7	21	24	M_6x25	39	13	21
79100.W0140-9	Black	140	164	8	24	28	M_8x30	45	15	24
79100.W0120-3	Red	120	141	7	21	24	M_6x25	39	13	21
79100.W0140-3	Red	140	164	8	24	28	M_8x30	45	15	24
79100.W0120-6	Green	120	141	7	21	24	M_6x25	39	13	21
79100.W0140-6	Green	140	164	8	24	28	M_8x30	45	15	24
79100.W0120-5	Blue	120	141	7	21	24	M_6x25	39	13	21
79100.W0140-5	Blue	140	164	8	24	28	M_8x30	45	15	24
79100.W0120-1	Yellow	120	141	7	21	24	M_6x25	39	13	21
79100.W0140-1	Yellow	140	164	8	24	28	M_8x30	45	15	24
79100.W0120-0	W/o Caps & Screws	120	141	7	21	24	M_6x25	39	13	21
79100.W0140-0	W/o Caps & Screws	140	164	8	24	28	M_8x30	45	15	24



79120

PULL HANDLES

**Material**

Solid thermoplastic PA 6, glass ball reinforced. Matt black or orange with attractive, fine grain structure.

**Technical Notes**

Including hex screws DIN912 with suitable

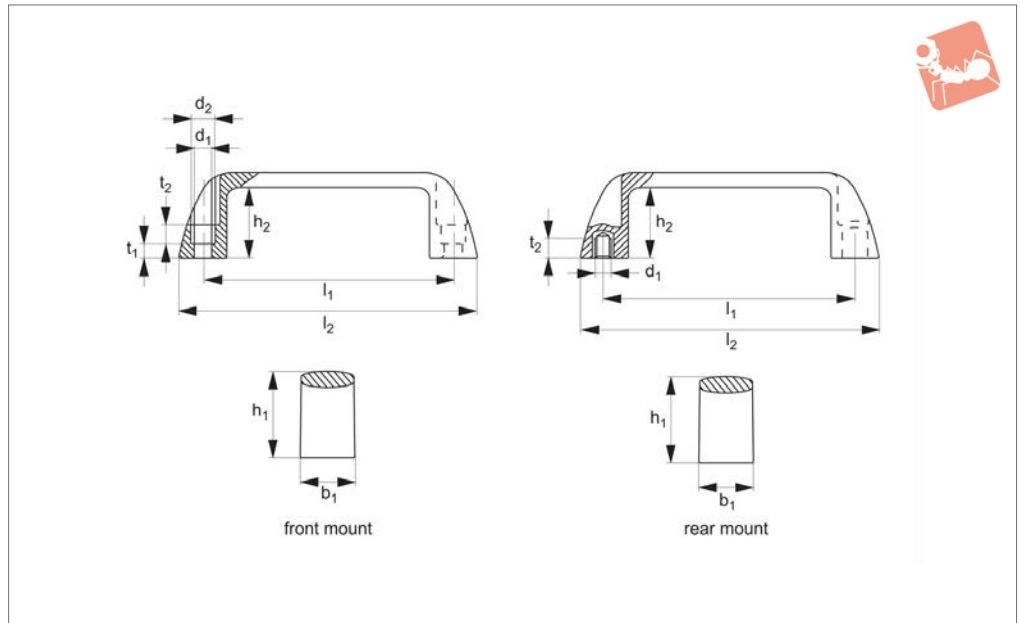
nuts and washer. Solid plastic. Modern industrial design for the highest demands. Extremely resistant to torsion and easy to grip. Minimum stress resistance >1000N. And scope of supply.

Including black galvanised cheese head screws (chromium VI free) with hexagon sockets DIN 912 and galvanised nuts DIN 934 with washers DIN 125.

Order No.	Finish	$l_1$	$l_2$	$a_1$	$b_1$	$b_2$	$d_1$	$h_1$	$t_1$	$w_1$
79120.W0100-8	Black	100	122	8.5	17.0	19	M 5x22	33	13	20
79120.W0120-8	Black	120	146	10.5	20.5	24	M 6x25	39	15	24
79120.W0140-8	Black	140	170	12.0	24.0	27	M 8x30	45	16	28
79120.W0160-8	Black	160	194	13.5	27.5	31	M 8x35	52	20	32
79120.W0180-8	Black	180	218	15.5	31.0	35	M10x40	58	20	36
79120.W0100-0	Orange	100	122	8.5	17.0	19	M 5x22	33	13	20
79120.W0120-0	Orange	120	146	10.5	20.5	24	M 6 x25	39	15	24
79120.W0140-0	Orange	140	170	12.0	24.0	27	M 8 x30	45	16	28
79120.W0160-0	Orange	160	194	13.5	27.5	31	M 8x35	52	20	32
79120.W0180-0	Orange	180	218	15.5	31.0	35	M10x40	58	20	36



**79150**



**Material**

Thermoplastic, black, matt, glass fibre reinforced.

Threaded bush: brass.

**Technical Notes**

Other colours on request: red, orange,

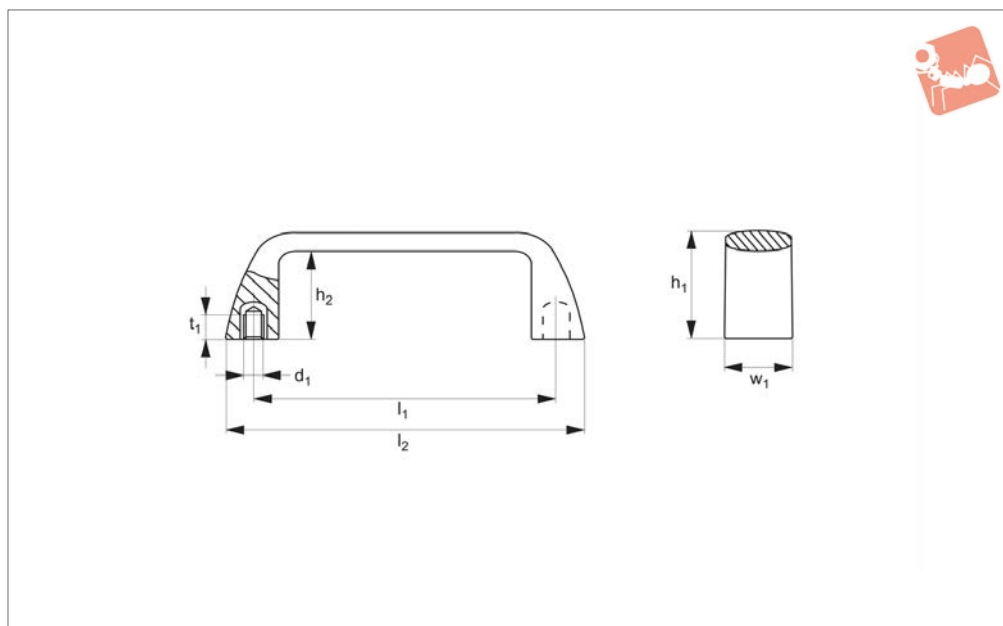
white & grey - subject to minimum quantity.

Order No.	Type	$l_1$	$l_2$	$b_1$	$d_2$	$h_1$	$h_2$	$t_1$	$t_2$	$\varnothing d_1$	Weight g
79150.W0010	Front Mount	93.5	112	21	Ø10,5	36	30	6	7	6.5	26
79150.W0011	Front Mount	117.0	139	26	Ø10,5	41	34	6	9	6.5	41
79150.W0012	Front Mount	117.0	139	26	Ø13,0	41	34	6	9	8.5	40
79150.W0013	Front Mount	132.0	156	27	Ø10,5	45	37	9	7	6.5	56
79150.W0014	Front Mount	132.0	156	27	Ø13,0	45	37	7	9	8.5	54
79150.W0018	Front Mount	179.0	204	28	Ø13,0	50	42	8	9	8.5	72
79150.W0509	Rear Mount	93.5	112	21	-	36	30	-	9	M 5	33
79150.W0510	Rear Mount	93.5	112	21	-	36	30	-	9	M 6	33
79150.W0511	Rear Mount	117.0	139	26	-	41	34	-	9	M 6	47
79150.W0512	Rear Mount	117.0	139	26	-	41	34	-	9	M 8	49
79150.W0513	Rear Mount	132.0	156	27	-	45	37	-	9	M 6	62
79150.W0514	Rear Mount	132.0	156	27	-	45	37	-	9	M 8	64
79150.W0518	Rear Mount	179.0	204	28	-	50	42	-	9	M 8	82



# Plastic Pull Handles

rear mounting



**79180**

PULL HANDLES

**Material**

Thermoplastic, black, matt. Glass fibre reinforced.

Brass insert with tapped blind hole.

**Technical Notes**

Other colours on request:- red, orange,

white & grey - subject to minimum quantity.

Order No.	$l_1$	$l_2$	$d_1$	$h_1$	$h_2$	$t_1$	$w_1$	Weight g
79180.W0009	105	121	M 5	37	29	9	26	46
79180.W0010	105	121	M 6	37	29	9	26	48
79180.W0011	110	133	M 5	40	32	9	26	58
79180.W0012	110	133	M 6	40	32	9	26	60
79180.W0016	117	133	M 5	40	32	9	26	57
79180.W0017	117	133	M 6	40	32	9	26	59
79180.W0018	117	133	M 8	40	32	9	26	61