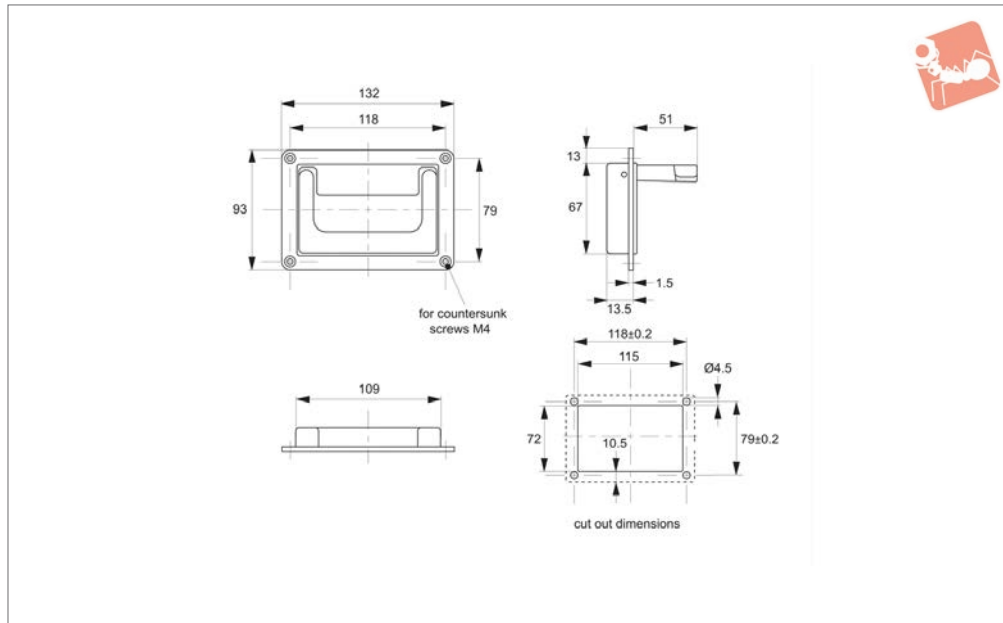




Tray Handle, Collapsible stainless steel



79540

PULL HANDLES

Material

Stainless steel. AISI 304, polished.

Technical Notes

Spring return handle, returns from working

to resting position when released.

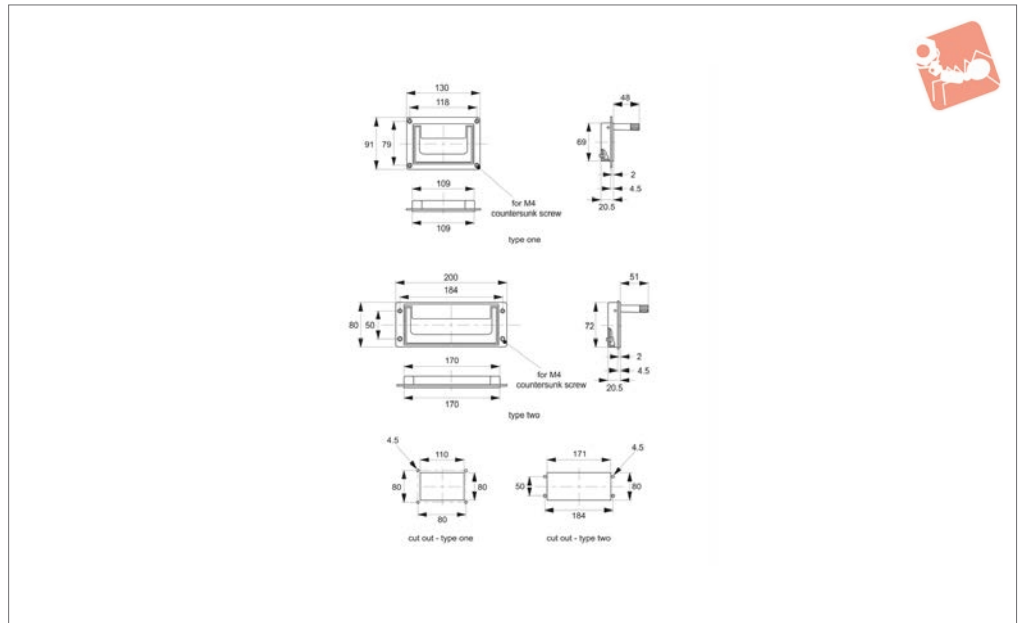
See cut-out details for mounting dimensions.

Stress resistance: min. 200N

Order No.	Type	Finish	Hole centres
79540.W0118	Spring Return	Electropolished	118
79540.W0218	Spring Return	Brushed	118



79550



Material

Pressure moulded aluminium, GD Al Si dCu 3.

Technical Notes

Snap-lock type-

with snap lock in both extended and retracted position.

Pull-back type-

with spring retraction from extended to retracted position.

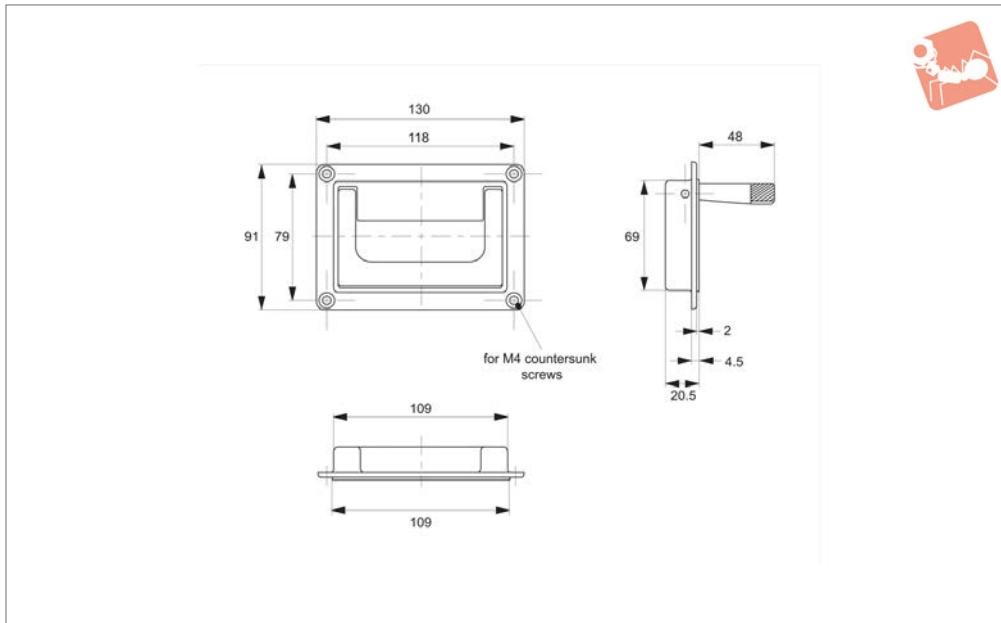
Front or rear mounting possible. Natural finger profiling within the hinged handle. Can also be used for lifting in the retracted position.

Minimum stress resistance 500N.

Tips

Collapsible tray handles are of contemporary design and can be used wherever durability and styling are required.

Order No.	Type	Handle action	Finish
79550.W0118-4	Type One	Snap Lock	Black
79550.W0118-7	Type One	Snap Lock	Light Grey
79550.W0118-9	Type One	Snap Lock	Greyish White
79550.W0119-4	Type One	Pull Back	Black
79550.W0119-7	Type One	Pull Back	Light Grey
79550.W0119-9	Type One	Pull Back	Greyish White
79550.W0184-4	Type Two	Snap Lock	Black
79550.W0184-7	Type Two	Snap Lock	Light Grey
79550.W0184-9	Type Two	Snap Lock	Greyish White
79550.W0185-4	Type Two	Pull Back	Black
79550.W0185-7	Type Two	Pull Back	Light Grey
79550.W0185-9	Type Two	Pull Back	Greyish White



79552

PULL HANDLES

Material

Tray and handle made of polyamide Pa 6, black similar to RAL 9005.

Technical Notes

Mountable in front of or behind housing

wall with the same housing cut-out.

Natural finger profiling at the rear of the hinged handle.

79552.W0118: with snap locks both in rest and work position.

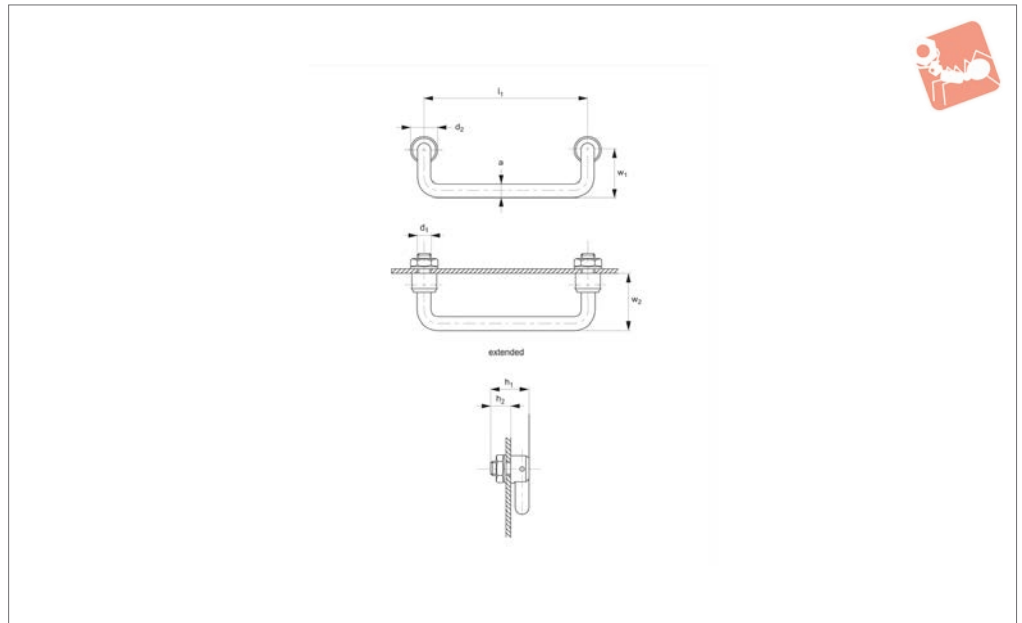
79552.W0218: with pull back spring from the working to the rest position.

Stress resistance: min. 250N.

Order No.	Handle action	Hole centres
79552.W0118	Snap Lock	118
79552.W0218	Pull Back	118



79570



Material

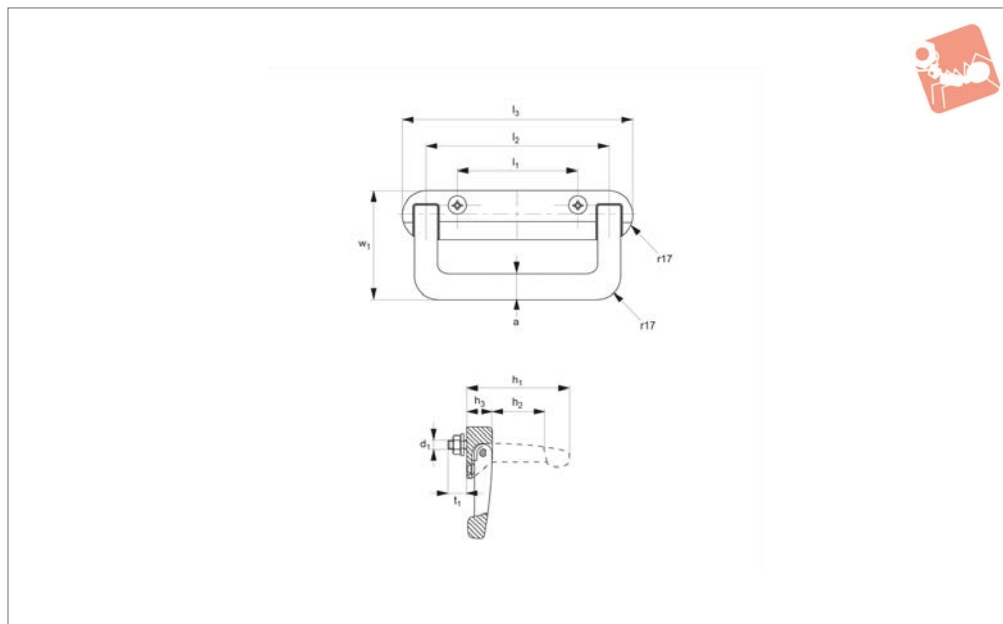
Round steel bar, precision ground and chromium plated, mirror finish. Plastic grip.

Technical Notes

Spring-arrest in both extended and retracted positions. Supplied with suitable nuts and washers.

Minimum stress resistance to 1000N per pair due to one-piece shank.

Order No.	Type	l_1	d_1	d_2	h_1	h_2	a	w_1	w_2
79570.W0100	Without Plastic Grip	100	M10 x 1	18	28	14	Ø10	34	44
79570.W0120	Without Plastic Grip	120	M10 x 1	18	28	14	Ø10	34	44
79570.W0180	Without Plastic Grip	180	M10 x 1	18	28	14	Ø10	34	44
79570.W0500	With Plastic Grip	100	M10 x 1	18	28	14	Ø10	34	44
79570.W0520	With Plastic Grip	120	M10 x 1	18	28	14	Ø10	34	44
79570.W0680	With Plastic Grip	180	M10 x 1	18	28	14	Ø10	34	44



79580

PULL HANDLES

Material

Polyamide, glass reinforced plastic PA 6, black, semi-gloss. Arbors and springs from stainless steel. With screws to DIN9656, M

6x30, suitable nuts & washers.

under load 500N.

Technical Notes

Minimum stress resistance 300N. Stability

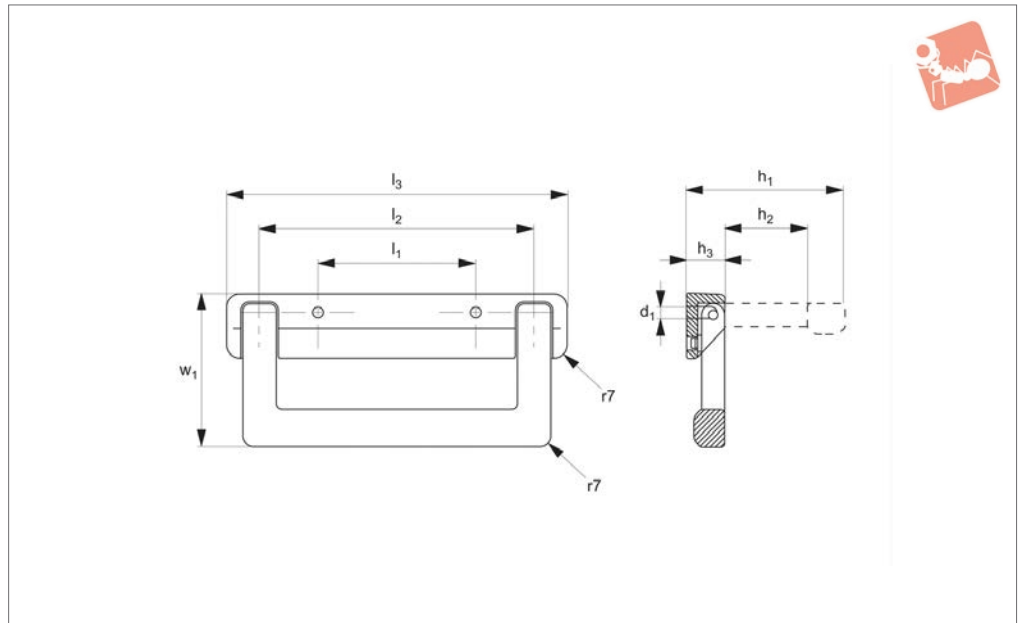
Tips

Springs back automatically.

Order No.	Type	l_1	l_2	l_3	d_1	h_1	h_2	h_3	a	t	w_1
79580.W0120	Spring Loaded	80	120	154	M 6	71	35	18	18	12	77



79582



Material

Holder & handle: die-cast aluminium GD-ALSi9Cu3 (alloy 226). Powder coated, half matt in black (similar to RAL 9005) or orange (RAL 2009).

Arbors & restoring springs: stainless steel.
Self-acting resilient handle made of aluminium for backside screw mounting.

Technical Notes

Stress resistance: min. 800N.
Screw attachment from the front available on request. Other colour combinations available on request.

Order No.	Type	l_1	l_2	l_3	d_1	h_1	h_2	h_3	w_1
79582.W0145	Black	84	145	180	M 6	83	44	20	80
79582.W1145	Orange	84	145	180	M 6	83	44	20	80