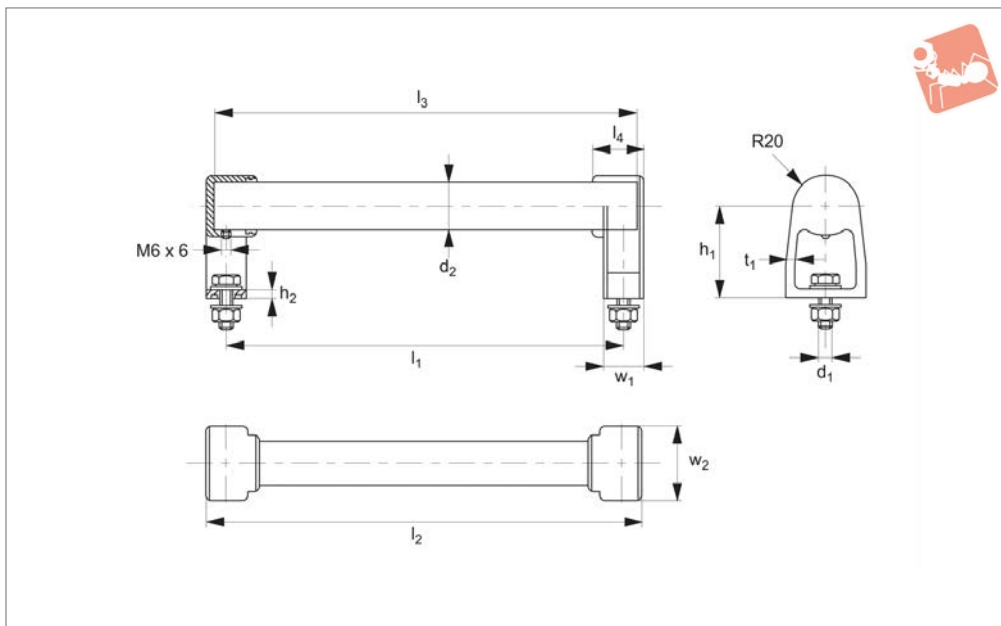




Pull Handles stainless steel



78800

PULL HANDLES

Material

Handle shank: cast stainless steel, G-X7 CrNiMoNb 18 10. Glass blasted, satin matt finish.

Connecting tube: stainless steel, X5 CrNi189, 1.4301. Ground and blasted.

Packing ring: food quality silicon rubber.

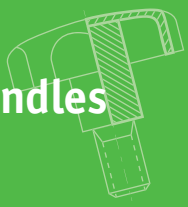
Technical Notes

Standard mounting type (front or rear): with hex screws to DIN 933, M 8x25, washers & nuts.

Safety mounting type (rear only): with bolts to DIN603, M8x25, washers & nuts. Long term temperature resistance -60°C to + 200°C. Minimum stress resistance >1000N.

Ideal for use in food industry applications.

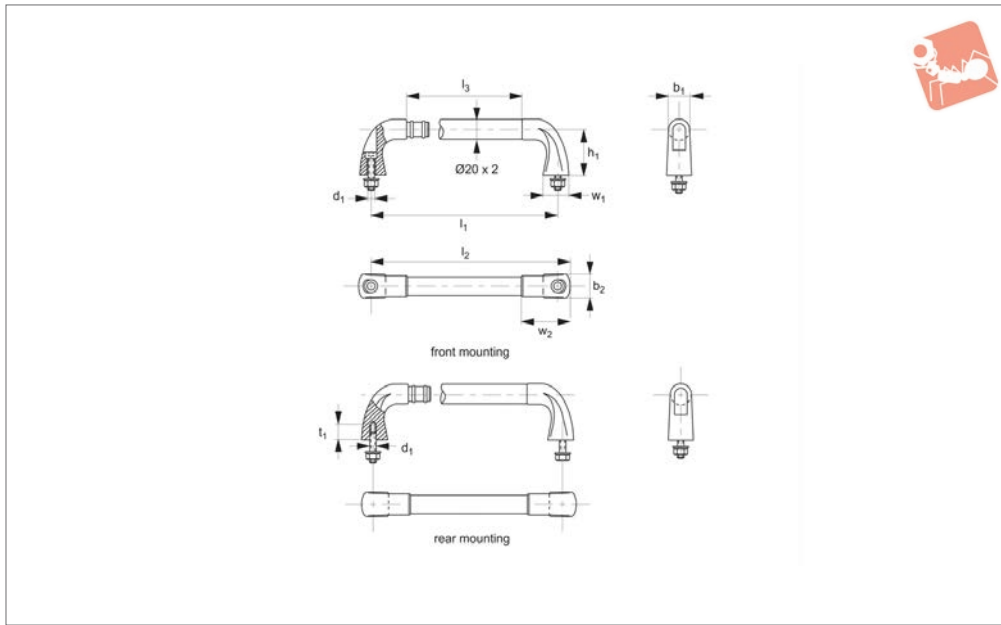
Order No.	Mounting type	l_1	l_2	l_3	l_4	d_1	d_2 dia.	h_1	h_2	t_1	w_1	w_2
78800.W0200	Standard	200	225	215	32	M 8x25	30x1,5	60	5	5	25	48
78800.W0210	Safety	200	225	215	32	M 8x25	30x1,5	60	5	5	25	48
78800.W0250	Standard	250	275	265	32	M 8x25	30x1,5	60	5	5	25	48
78800.W0260	Safety	250	275	265	32	M 8x25	30x1,5	60	5	5	25	48
78800.W0300	Standard	300	325	315	32	M 8x25	30x1,5	60	5	5	25	48
78800.W0310	Safety	300	325	315	32	M 8x25	30x1,5	60	5	5	25	48
78800.W0350	Standard	350	375	365	32	M 8x25	30x1,5	60	5	5	25	48
78800.W0360	Safety	350	375	365	32	M 8x25	30x1,5	60	5	5	25	48
78800.W0400	Standard	400	425	415	32	M 8x25	30x1,5	60	5	5	25	48
78800.W0410	Safety	400	425	415	32	M 8x25	30x1,5	60	5	5	25	48
78800.W0500	Standard	500	525	515	32	M 8x25	30x1,5	60	5	5	25	48
78800.W0510	Safety	500	525	515	32	M 8x25	30x1,5	60	5	5	25	48
78800.W0600	Standard	600	625	615	32	M 8x25	30x1,5	60	5	5	25	48
78800.W0610	Safety	600	625	615	32	M 8x25	30x1,5	60	5	5	25	48





Pull Handles

stainless steel



78820

PULL HANDLES

Material

Handle shank: cast stainless steel, Gx7 CrNiMoNb 18 10, abrasive blasted and electro-polished, dull bright finish.
 Connecting tube: stainless steel x5 CrNi 189, 1.4301. Precision ground or grooved plastic coating.

Connection tubes finish grounded and brushed. Handle shanks glass blasted and electro polished with half matte finish.

Technical Notes

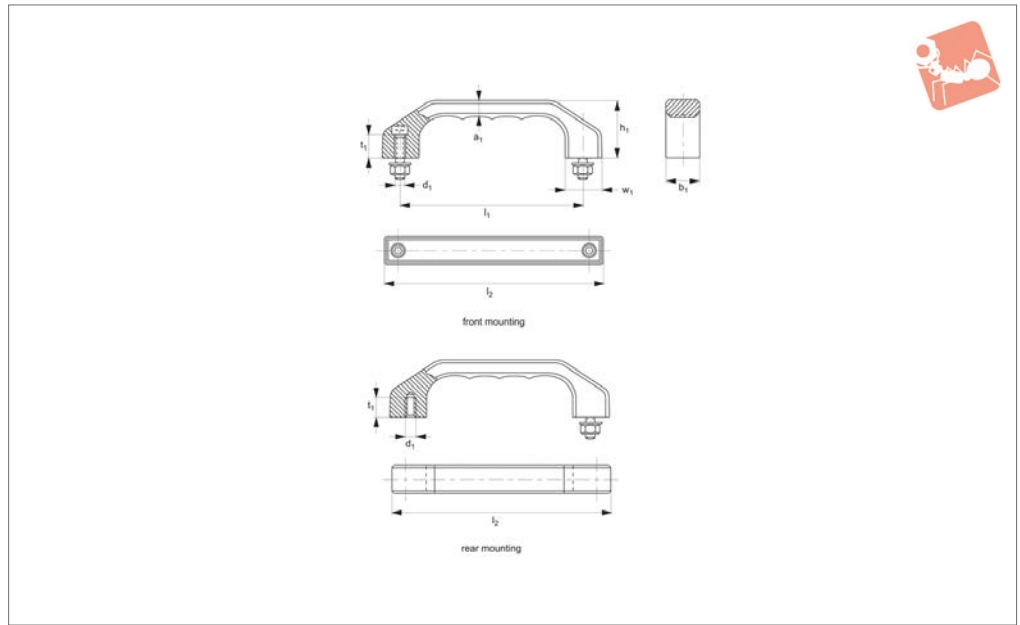
Front mounting: supplied with hex screws

to DIN 912, M 8x35 and suitable washer and nut. Rear Mounting: supplied with hex screws to DIN 913 and suitable washer. Minimum stress resistance >1000N.

Order No.	Tube finish	Type	l_1	l_2	l_3	b_1	b_2	d_1	h_1	t_1	w_1	w_2
78820.W0020	Natural	Front Mount	200	226	120	22	26	M 8 x 35	50	-	29	53
78820.W0025	Natural	Front Mount	250	276	170	22	26	M 8 x 35	50	-	29	53
78820.W0030	Natural	Front Mount	300	326	220	22	26	M 8 x 35	50	-	29	53
78820.W0035	Natural	Front Mount	350	376	270	22	26	M 8 x 35	50	-	29	53
78820.W0040	Natural	Front Mount	400	426	320	22	26	M 8 x 35	50	-	29	53
78820.W0120	Plastic Covered	Front Mount	200	226	120	22	26	M 8 x 35	50	-	29	53
78820.W0125	Plastic Covered	Front Mount	250	276	170	22	26	M 8 x 35	50	-	29	53
78820.W0130	Plastic Covered	Front Mount	300	326	220	22	26	M 8 x 35	50	-	29	53
78820.W0135	Plastic Covered	Front Mount	350	376	270	22	26	M 8 x 35	50	-	29	53
78820.W0140	Plastic Covered	Front Mount	400	426	320	22	26	M 8 x 35	50	-	29	53
78820.W0520	Natural	Rear Mount	200	226	120	22	26	M 8 x 20	50	16	29	53
78820.W0525	Natural	Rear Mount	250	276	170	22	26	M 8 x 20	50	16	29	53
78820.W0530	Natural	Rear Mount	300	326	220	22	26	M 8 x 20	50	16	29	53
78820.W0535	Natural	Rear Mount	350	376	270	22	26	M 8 x 20	50	16	29	53
78820.W0540	Natural	Rear Mount	400	426	320	22	26	M 8 x 20	50	16	29	53
78820.W0620	Plastic Covered	Rear Mount	200	226	120	22	26	M 8 x 20	50	16	29	53
78820.W0625	Plastic Covered	Rear Mount	250	276	170	22	26	M 8 x 20	50	16	29	53
78820.W0630	Plastic Covered	Rear Mount	300	326	220	22	26	M 8 x 20	50	16	29	53
78820.W0635	Plastic Covered	Rear Mount	350	376	270	22	26	M 8 x 20	50	16	29	53
78820.W0640	Plastic Covered	Rear Mount	400	426	320	22	26	M 8 x 20	50	16	29	53



78830



Material

Stainless steel (304) precision casting (G X6 CrNi 18 9, material no. G4308). Finish: blasted and electropolished with a semi-

matt finish.

Technical Notes

Front mounting: supplied with hex screws

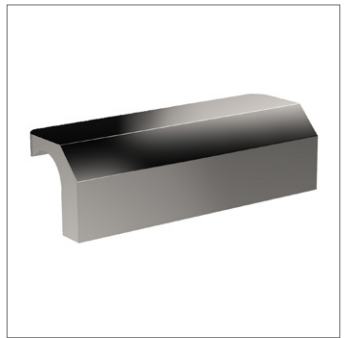
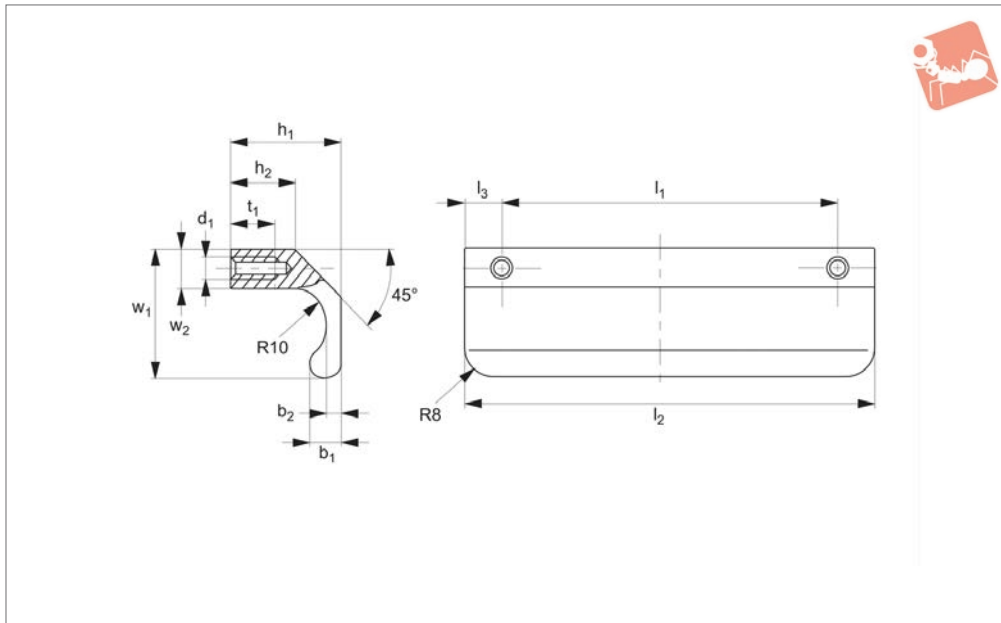
to DIN 912, and suitable washer and nut.
Rear Mounting: supplied with hex head screws to DIN 933 and suitable washer.
Minimum stress resistance >1000N.

Order No.	Type	l_1	l_2	a_1	b_1	d_1	h_1	t_1	w_1
78830.W0140	Front Mounting	140	170	12	25	M_8x30	45	15	28
78830.W0180	Front Mounting	180	218	15	32	M10x40	58	18	36
78830.W0540	Rear Mounting	140	170	12	25	M_8x18	45	15	28
78830.W0580	Rear Mounting	180	218	15	32	M10x20	58	18	36



Ledge Handles

stainless steel



78850

PULL HANDLES

Material

Profiled stainless steel 316 (X2 CrNiMo 17 13 2, material no. 1.4404). Finish: blasted and electropolished with a semi-matt

finish.

Technical Notes

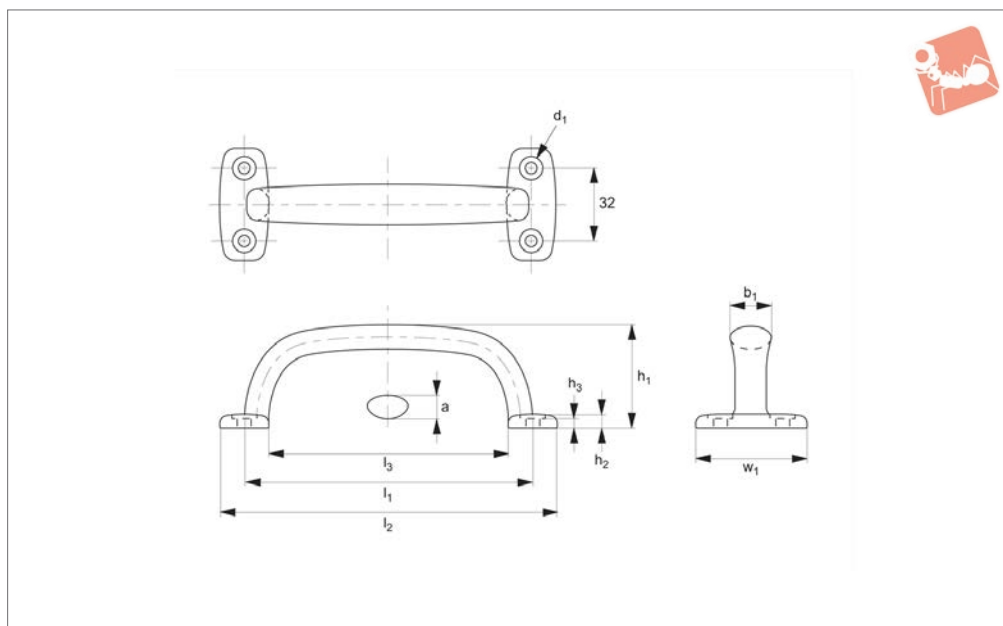
Minimum stress resistance 500N.

Any other handle lengths available on request.

Order No.	l_1	l_2	b_1	b_2	d_1	h_1	h_2	t_1	w_1	w_2
78850.W0060	60	80	8	4	M 6	30	20	12	35	10
78850.W0080	80	100	8	4	M 6	30	20	12	35	10
78850.W0100	100	120	8	4	M 6	30	20	12	35	10
78850.W0130	130	150	8	4	M 6	30	20	12	35	10



78890



Material

AISI 316 stainless steel, mirror finish.

Technical Notes

Supplied with stainless steel screws. Ideal for harsh and high corrosive environments.

Order No.	l_1	l_2	l_3	a	b_1	d_1	h_1	h_2	h_3	w_1	Weight g
78890.W0064	64	82	46	8	16	4-Ø5, 4-Ø9,5	36.5	5.5	4.0	48	110
78890.W0096	96	114	78	9	16	4-Ø5, 4-Ø9,5	40.0	6.0	4.5	48	148
78890.W0128	128	150	106	10	18	4-Ø6, 4-Ø11,0	45.0	6.0	4.5	50	210
78890.W0160	160	180	140	10	20	4-Ø6, 4-Ø11,0	48.0	6.5	5.0	50	270

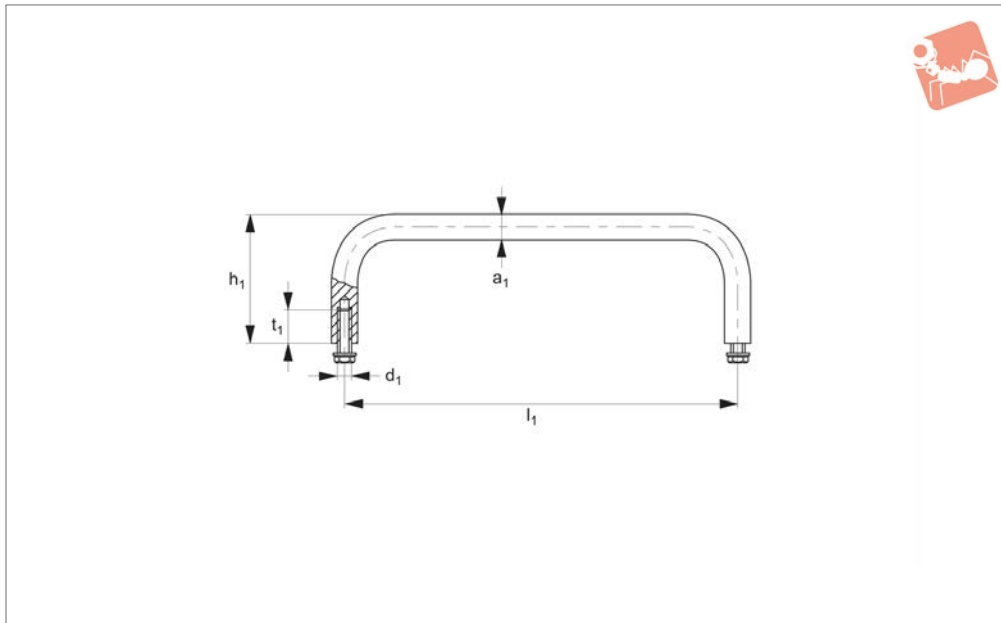


Pull Handles - Bar Type

stainless steel



Pull Handles



78900

PULL HANDLES

Material

Stainless steel rod X12 CrNiS 18 8, 1.4305 (AISI 303). Finish: matt gloss.

Tips

For medical technology, laboratory instruments with high chemical resistance.

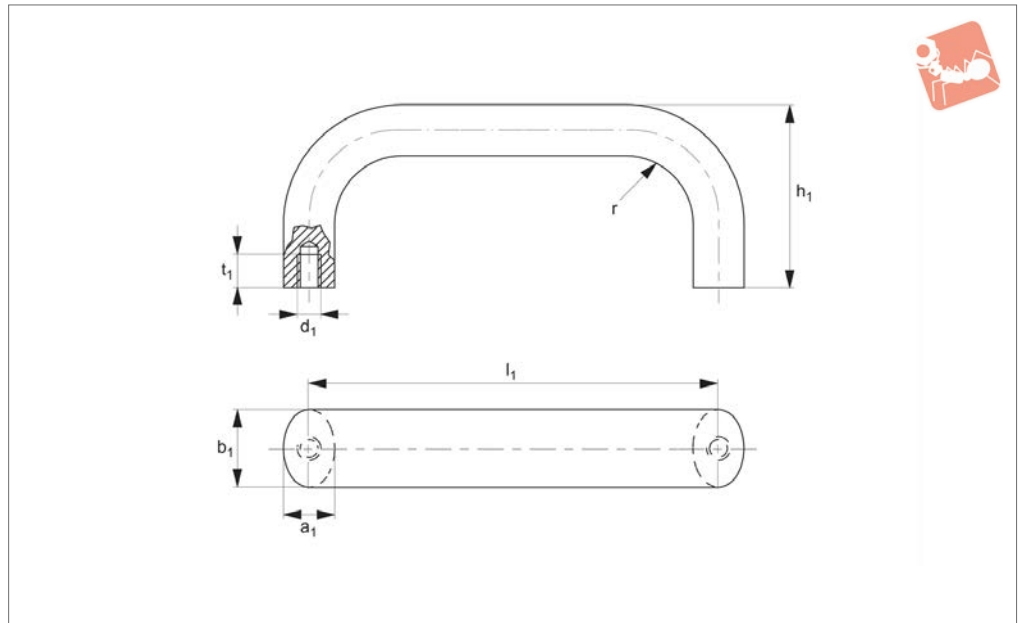
Technical Notes

Minimum stress resistance 1000N.

Order No.	$\varnothing a_1$	l_1	d_1	h_1	t_1
78900.W0064	8	64	M 5x10	35	10
78900.W0088	8	88	M 5x10	35	10
78900.W0100	8	100	M 5x10	35	10
78900.W0120	10	120	M 5x10	40	10
78900.W0180	10	180	M 5x10	40	10
78900.W0250	10	250	M 5x10	40	10
78900.W0350	10	350	M 5x10	40	10
78900.W0400	15	150	M 6x16	55	12
78900.W0410	15	200	M 6x16	55	12
78900.W0420	15	250	M 6x16	55	12
78900.W0430	15	300	M 6x16	55	12
78900.W0440	15	350	M 6x16	55	12



78910



PULL HANDLES

Material

Stainless steel 1.4301, dull blasted

Technical Notes

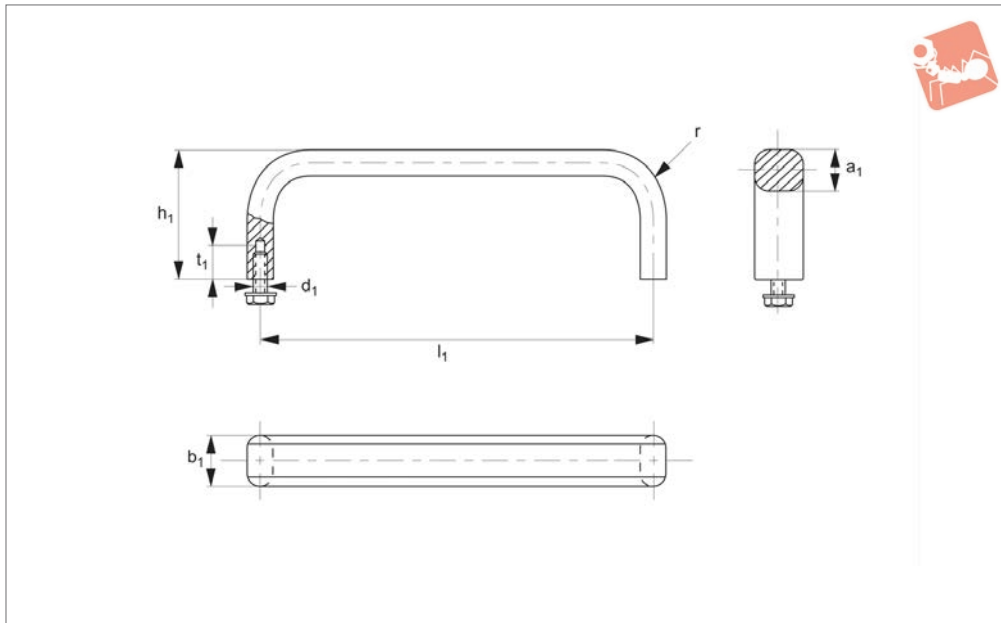
Ergonomic design offering high stability and smooth surfaces.

Order No.	l_1	a_1	b_1	d_1	h_1	R	t_1	Weight g
78910.W0510	112	13	20	M 6	49	13	10	270
78910.W0520	128	13	20	M 6	51	13	10	305
78910.W0530	160	13	20	M 6	51	13	10	366
78910.W0540	200	13	20	M 6	51	13	10	440
78910.W0550	250	13	20	M 6	51	13	10	517
78910.W0560	300	13	20	M 6	51	13	10	597
78910.W0580	400	13	20	M 6	51	13	10	737



Pull Handles - Oval Type

stainless steel



78920

PULL HANDLES

Material

Stainless steel X12 CrNiS 18 8, 1.4305 (AISI 303).

Finish: vibration ground with a semi-matte finish.

Technical Notes

Supplied with hex screws DIN 933 and suitable washer. Minimum stress resistance >1000N.

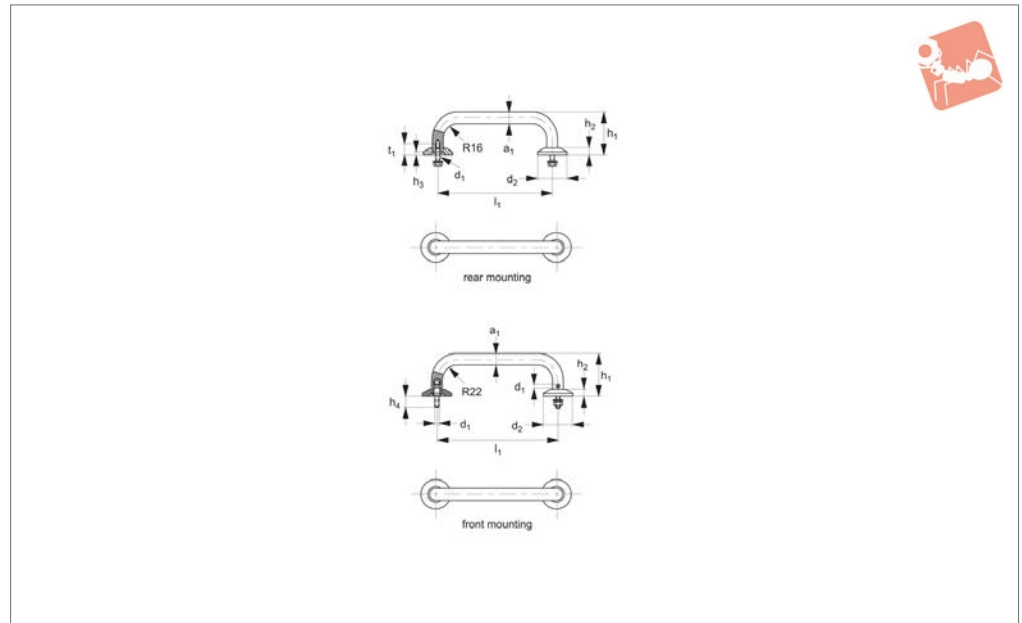
Tips

Attractively shaped handles for all applications, with high corrosive and chemical resistance. Other dimensions on request.

Order No.	Type	l_1	a_1	b_1	d_1	h_1	r	t_1
78920.W0010	Narrow	100	8	12.0	M_5x10	40	22	10
78920.W0012	Narrow	120	8	12.0	M_5x10	40	22	10
78920.W0015	Narrow	150	8	12.0	M_5x10	40	22	10
78920.W0018	Narrow	180	8	12.0	M_5x10	40	22	10
78920.W0025	Narrow	250	8	12.0	M_5x10	40	22	10
78920.W0035	Narrow	350	8	12.0	M_5x10	40	22	10
78920.W0110	Wide	100	10	19.5	M_6x12	45	24	12
78920.W0112	Wide	120	10	19.5	M_6x12	45	24	12
78920.W0115	Wide	150	10	19.5	M_6x12	45	24	12
78920.W0118	Wide	180	10	19.5	M_6x12	45	24	12
78920.W0125	Wide	250	10	19.5	M_6x12	45	24	12
78920.W0135	Wide	350	10	19.5	M_6x12	45	24	12



78940



Material

Round stainless steel X12 CrNiS 18 8, material no. 1.4305. Finish: ground and brushed for a matt finish.

DIN 933 and washers.

Rear mounting: supplied with mounting adapter and suitable nuts and washer. Minimum stress resistance >1000N.

required. Other dimensions on request.

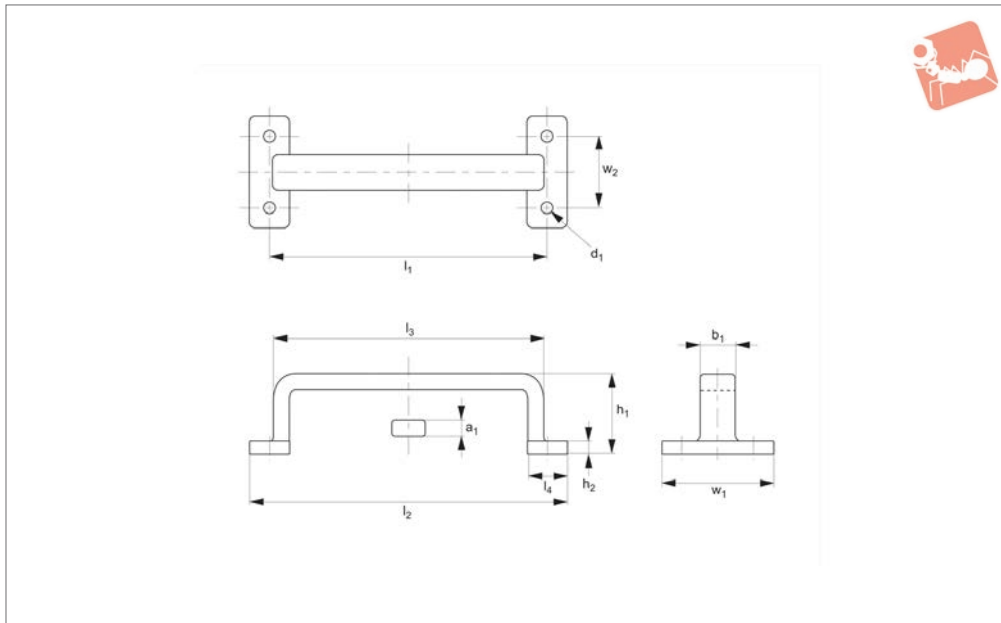
Technical Notes

Front mounting: supplied with hex screws

Tips

Where maximum load-bearing capacity is

Order No.	Type	l_1	a_1	d_1	d_2	h_1	h_2	h_3	h_4	t_1
78940.W0015	Rear Mounting	150	15	M 6 x 20	38	58	9	4	-	16
78940.W0020	Rear Mounting	200	15	M 6 x 20	38	58	9	4	-	16
78940.W0025	Rear Mounting	250	15	M 6 x 20	38	58	9	4	-	16
78940.W0120	Front Mounting	200	20	M 8	50	75	12	5	16	21
78940.W0125	Front Mounting	250	20	M 8	50	75	12	5	16	21
78940.W0130	Front Mounting	300	20	M 8	50	75	12	5	16	21
78940.W0220	Rear Mounting	200	20	M 8 x 25	50	75	12	5	-	-
78940.W0225	Rear Mounting	250	20	M 8 x 25	50	75	12	5	-	-
78940.W0230	Rear Mounting	300	20	M 8 x 25	50	75	12	5	-	-



78950

PULL HANDLES

Material

AISI 316 stainless steel, mirror finish.

Technical Notes

Supplied with stainless steel screws.

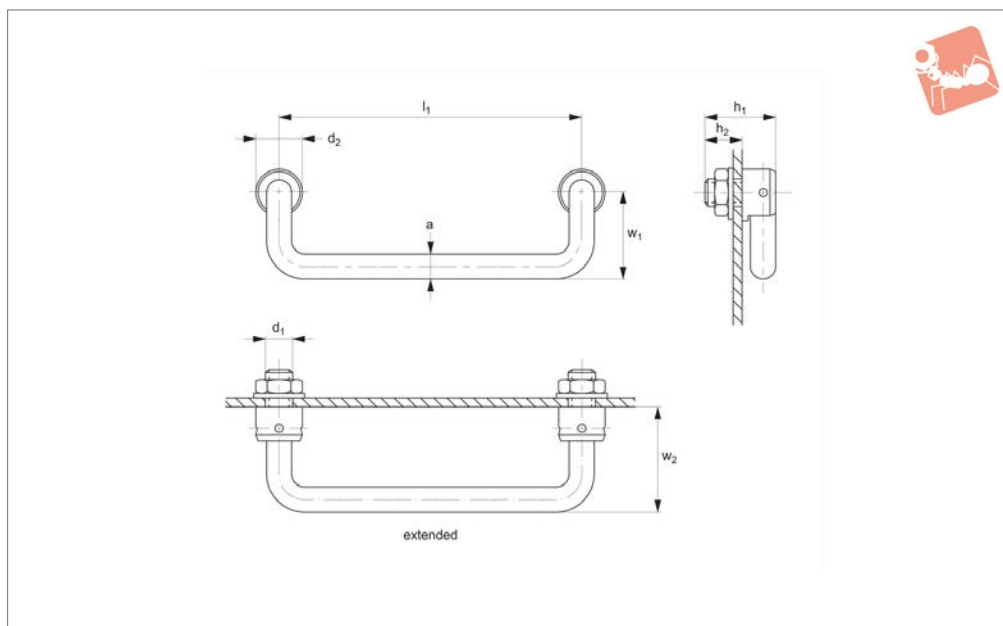
Important Notes

Ideal for harsh and high corrosive environments. Higher profile allows for easy gripping with gloved hand.

Order No.	l_1	l_2	l_3	l_4	a_1	b_1	h_1	h_2	w_1	w_2	Weight g
78950.W0200	175	200	170	25	10	22	50	8	70	45	586
78950.W0280	253	280	250	27	12	26	62	10	80	55	1088



78970



Material

All components made of round bar stainless steel, material no. 1.4305. Finish: vibration ground to a semi-matt finish.

Technical Notes

Spring-arrest in both retracted and extended positions. One piece pivot bushing. Minimum stress resistance 500N.

Tips

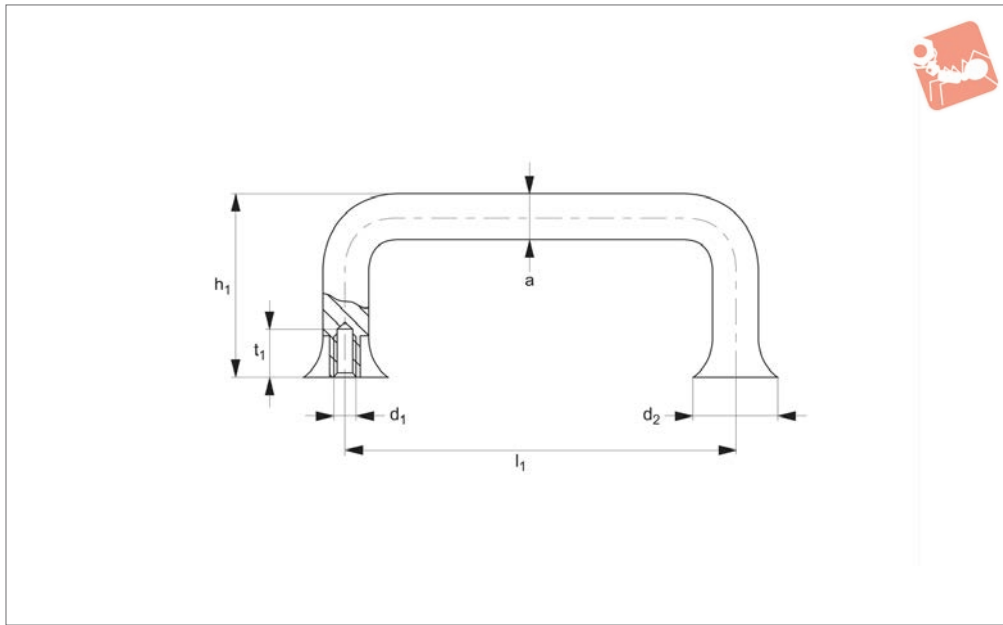
Supplied complete with nuts and washers.

Order No.	l_1	a	d_1	d_2	h_1	h_2	w_1	w_2
78970.W0100	100	10	M10x1	18	28	14	34	43
78970.W0120	120	10	M10x1	18	28	14	34	43
78970.W0180	180	10	M10x1	18	28	14	34	43



Pull Handles

easy to clean, stainless steel



79750

PULL HANDLES

Material

Round bar stainless steel 1.4305 (AISI 303), vibration ground, semi-matte finish. Supplied with stainless steel hex screws, DIN933 and suitable nuts and washers.

Technical Notes

Minimum stress resistance >1000N.

Tips

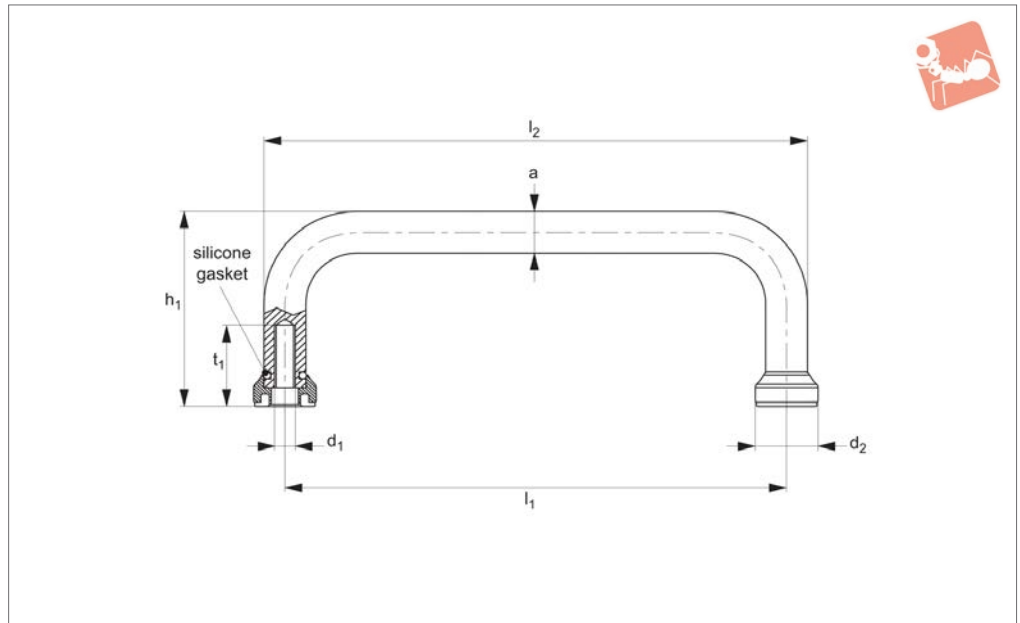
The trumpet like design of the handle base

makes them easy to clean thoroughly. The handles are therefore particularly suitable for hygienic areas.

Order No.	l_1	a	d_1	d_2	h_1	t_1
79750.W0119	120	10	M 5	20	45	10
79750.W0120	120	15	M 6	30	60	12
79750.W0140	140	15	M 6	30	60	12
79750.W0100	100	10	M 5	20	45	10
79750.W0200	200	15	M 6	30	60	12



79760



Material

Round bar stainless steel AISI304
Blue gasket: silicone

Tips

Made to the high „3A“ standard.

This ensures it meets the high standards required for use in food, beverage, pharmaceutical and medical applications. Hygienically designed for effective and easy cleaning, corrosion resistant, non-

toxic. Design precludes contamination by dirt, food particles and organic matter.

Order No.	l_1	l_2	a	d_1	d_2	h_1	t_1
79760.W0088	88	98	10	M5	15	46	10
79760.W0100	100	110	10	M5	15	46	10
79760.W0120	120	130	10	M5	15	46	10
79760.W0180	180	190	10	M5	15	46	10