

79711

PULL HANDLES

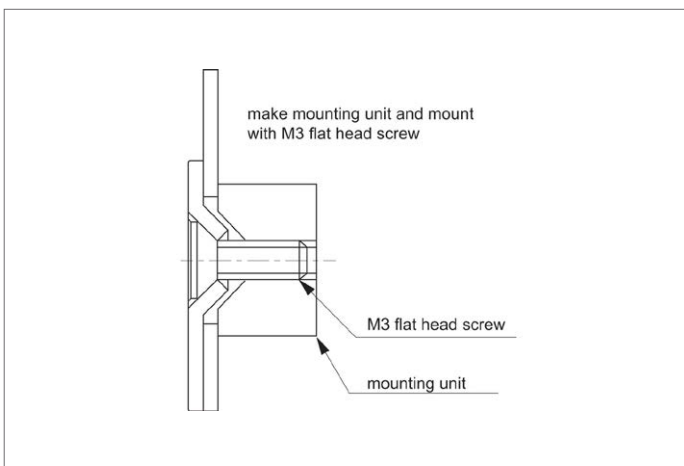
Material

AISI 304 stainless steel, polished.

Technical Notes

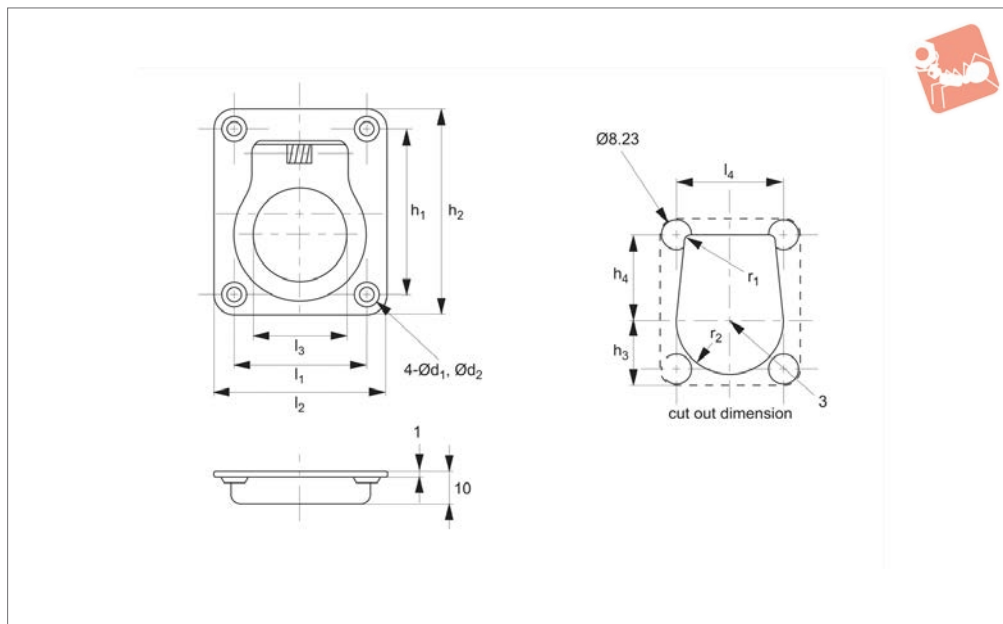
Supplied with stainless steel screws (3.8x16).

Order No.	l_1	l_2	Weight g
79711.W0110	60	75	51





79720



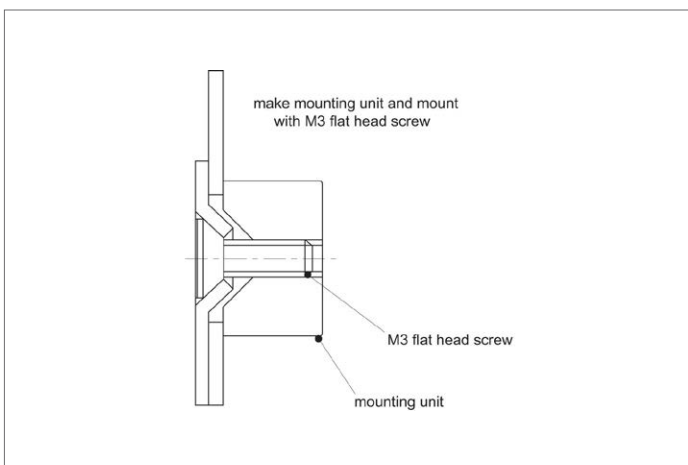
Material

AISI 304 stainless steel, polished.

Technical Notes

Supplied with stainless steel screws.

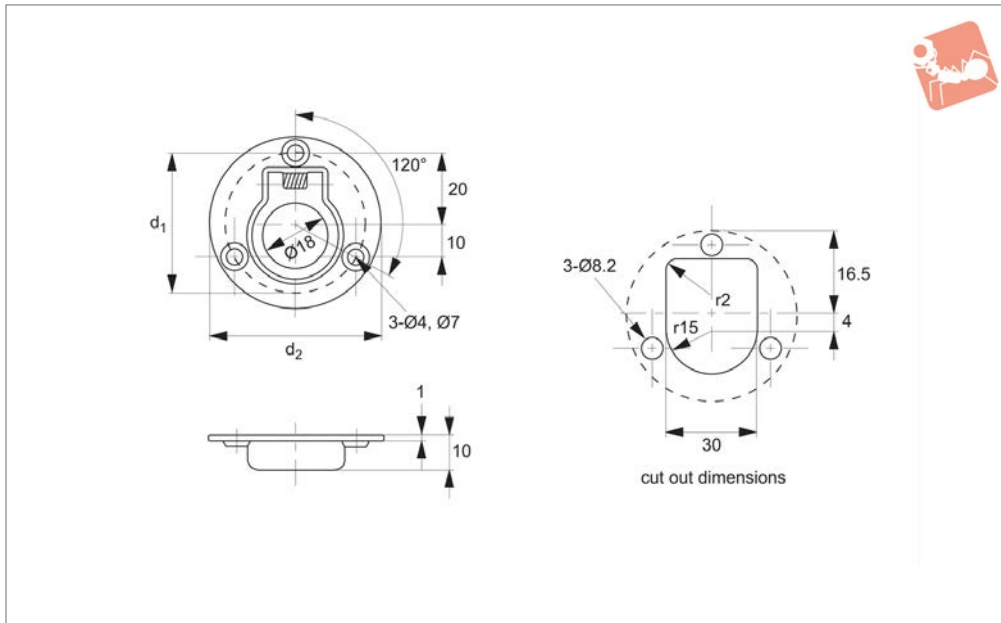
Order No.	l_1	d_1	d_2	h_1	h_2	h_3	h_4	l_2	l_3	l_4	r_1	$\text{Ø } r_2$	Weight g
79720.W0010	28	4.0	6.2	34	44	19	19.5	38	18	24.5	14.2	31	21
79720.W0020	35	4.4	7.0	45	60	25	25.0	50	27	25.0	19.5	41	36





Ring Pulls, Recessed

stainless steel



79730

PULL HANDLES

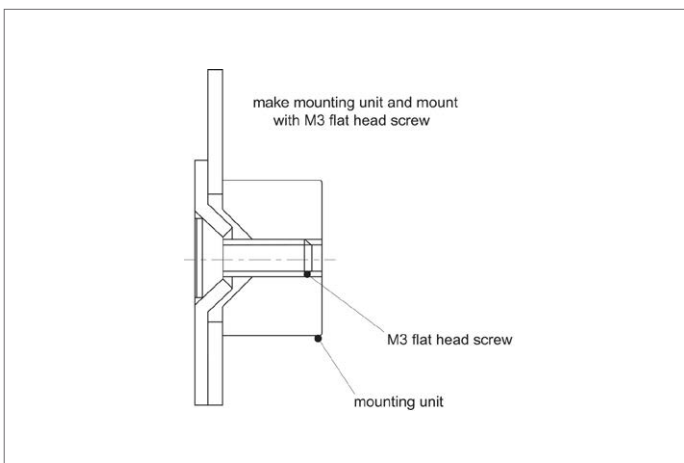
Material

AISI 304 stainless steel, polished.

Technical Notes

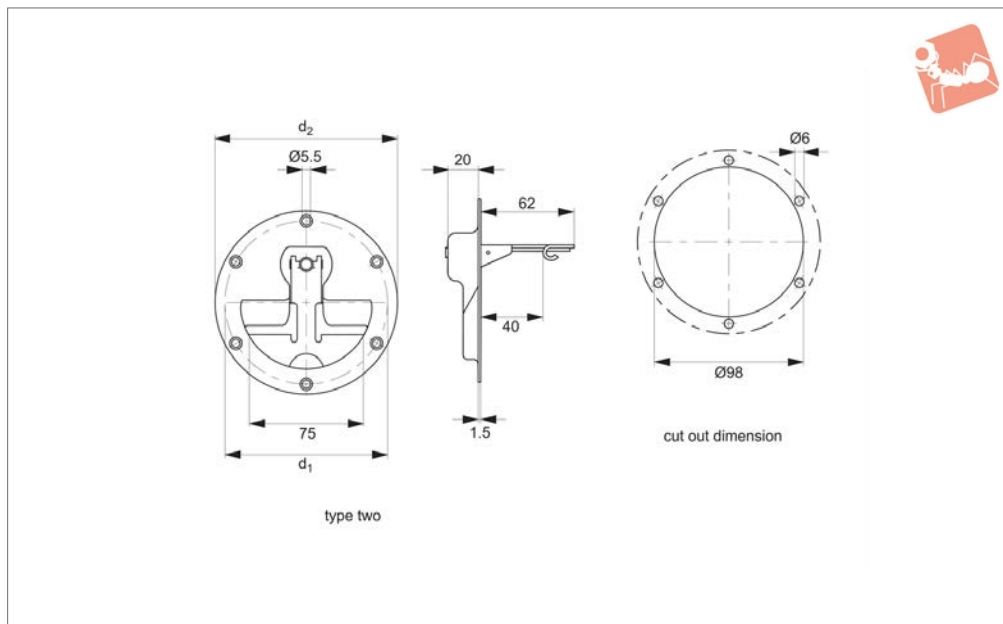
Supplied with stainless steel screws (3.8x16).

Order No.	d_1	d_2	Weight g
79730.W0010	40	50	23





79740



Material

AISI 304 stainless steel, polished.

returns the handle to its resting position when released.

Technical Notes

Incorporates a pull-back spring which

Order No.	Type	d_1	d_2
79740.W0120	Type Two	107	120