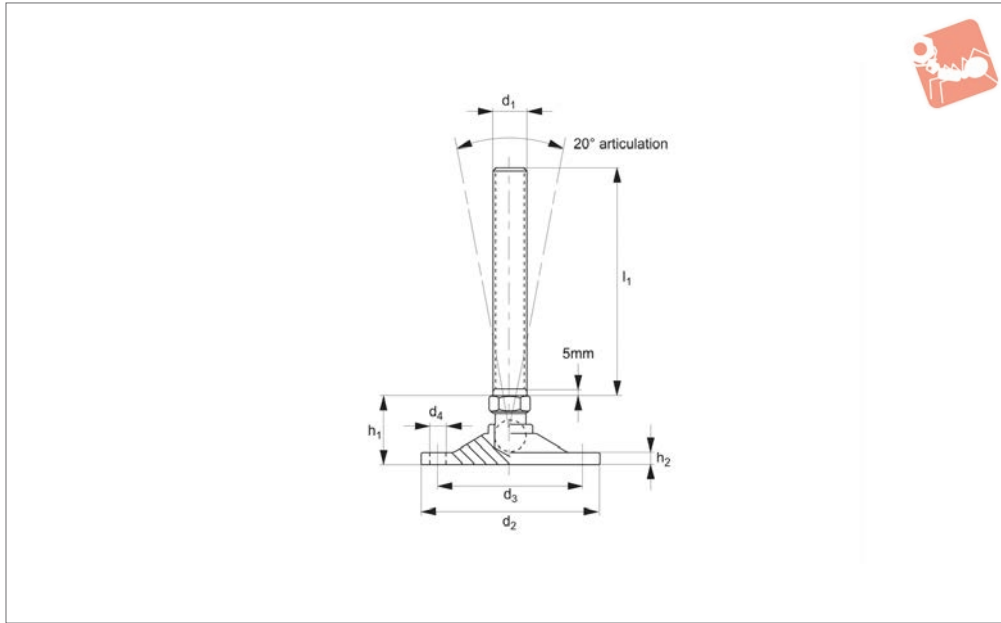




# Levelling Feet - Bolt Down pad and bolt steel

## Levelling Feet



**34702**

LEVELLING FEET

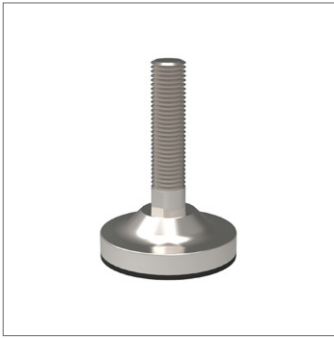
### Material

Pad and bolt: mild steel, nickel plated.

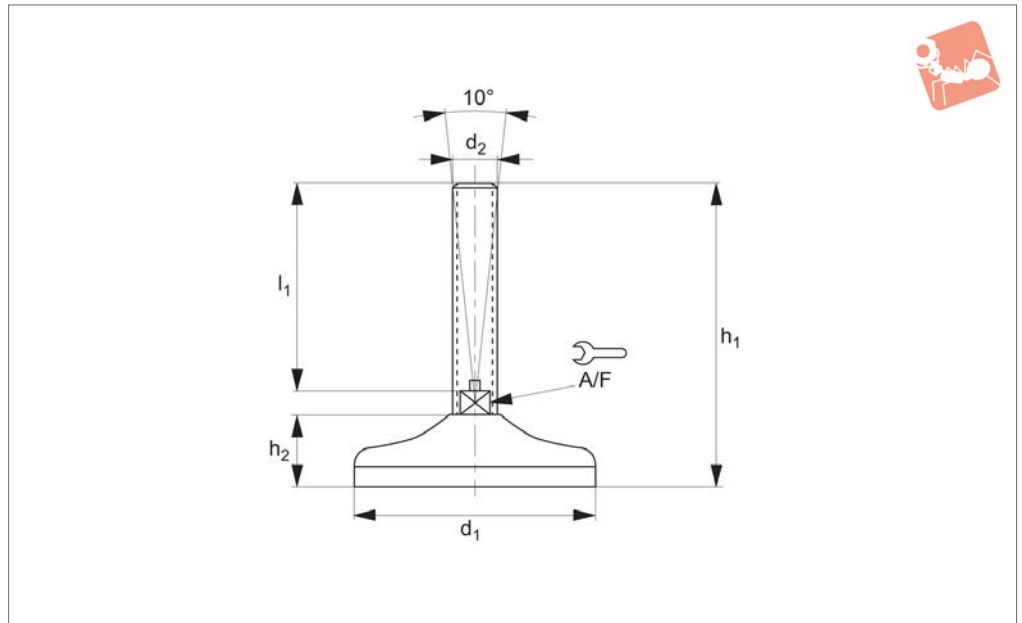
### Technical Notes

Bolt has a 20° angle of movement.

| Order No.   | d <sub>1</sub> | d <sub>2</sub> | d <sub>3</sub> | d <sub>4</sub> | h <sub>1</sub> | h <sub>2</sub> | l <sub>1</sub> | Static load<br>kN<br>max. |
|-------------|----------------|----------------|----------------|----------------|----------------|----------------|----------------|---------------------------|
| 34702.W0508 | M 8            | 50             | 40             | 5.5            | 22             | 4.0            | 60             | 3.0                       |
| 34702.W0600 | M10            | 50             | 40             | 5.5            | 22             | 4.0            | 75             | 5.0                       |
| 34702.W0621 | M12            | 60             | 50             | 5.5            | 25             | 5.0            | 75             | 12.5                      |
| 34702.W0622 | M12            | 60             | 50             | 5.5            | 25             | 5.0            | 125            | 12.5                      |
| 34702.W0623 | M12            | 60             | 50             | 5.5            | 25             | 5.0            | 150            | 12.5                      |
| 34702.W0660 | M16            | 80             | 68             | 6.5            | 31             | 6.0            | 75             | 17.5                      |
| 34702.W0661 | M16            | 80             | 68             | 6.5            | 31             | 6.0            | 125            | 17.5                      |
| 34702.W0662 | M16            | 80             | 68             | 6.5            | 31             | 6.0            | 150            | 17.5                      |
| 34702.W0700 | M20            | 100            | 82             | 9.0            | 39             | 6.5            | 125            | 25.0                      |
| 34702.W0701 | M20            | 100            | 82             | 9.0            | 39             | 6.5            | 150            | 25.0                      |
| 34702.W0702 | M20            | 100            | 82             | 9.0            | 39             | 6.5            | 200            | 25.0                      |
| 34702.W0741 | M24            | 120            | 100            | 11.0           | 56             | 7.5            | 150            | 37.5                      |
| 34702.W0742 | M24            | 120            | 100            | 11.0           | 56             | 7.5            | 200            | 37.5                      |



## 34703



### Material

Galvanized steel (C40), with rubber pad (70 shore A).

### Technical Notes

Load values refer to static loads, located at half the screw height.

| Order No.   | d <sub>1</sub> | d <sub>2</sub> | h <sub>1</sub> | h <sub>2</sub> | l <sub>1</sub> | A/F | Load kgf max. |
|-------------|----------------|----------------|----------------|----------------|----------------|-----|---------------|
| 34703.W1200 | 50             | M12            | 79             | 19             | 50             | 14  | 400           |
| 34703.W1201 | 50             | M12            | 129            | 19             | 100            | 14  | 400           |
| 34703.W1202 | 50             | M12            | 179            | 19             | 150            | 14  | 400           |
| 34703.W1400 | 50             | M14            | 79             | 19             | 50             | 14  | 400           |
| 34703.W1401 | 50             | M14            | 129            | 19             | 100            | 14  | 400           |
| 34703.W1402 | 50             | M14            | 179            | 19             | 150            | 14  | 400           |
| 34703.W1600 | 50             | M16            | 104            | 19             | 75             | 14  | 400           |
| 34703.W1601 | 50             | M16            | 129            | 19             | 100            | 14  | 400           |
| 34703.W1602 | 50             | M16            | 179            | 19             | 150            | 14  | 400           |
| 34703.W1002 | 80             | M10            | 85             | 25             | 50             | 14  | 1000          |
| 34703.W1003 | 80             | M10            | 135            | 25             | 100            | 14  | 1000          |
| 34703.W1203 | 80             | M12            | 85             | 25             | 50             | 14  | 1000          |
| 34703.W1204 | 80             | M12            | 135            | 25             | 100            | 14  | 1000          |
| 34703.W1205 | 80             | M12            | 185            | 25             | 150            | 14  | 1000          |
| 34703.W1403 | 80             | M14            | 85             | 25             | 50             | 14  | 1000          |
| 34703.W1404 | 80             | M14            | 135            | 25             | 100            | 14  | 1000          |
| 34703.W1405 | 80             | M14            | 185            | 25             | 150            | 14  | 1000          |
| 34703.W1603 | 80             | M16            | 85             | 25             | 75             | 14  | 1000          |
| 34703.W1605 | 80             | M16            | 185            | 25             | 150            | 14  | 1000          |
| 34703.W2000 | 80             | M20            | 111            | 25             | 75             | 14  | 1000          |
| 34703.W2001 | 80             | M20            | 136            | 25             | 100            | 14  | 1000          |
| 34703.W2002 | 80             | M20            | 186            | 25             | 150            | 14  | 1000          |
| 34703.W2003 | 80             | M20            | 236            | 25             | 200            | 14  | 1000          |
| 34703.W2400 | 80             | M24            | 111            | 25             | 75             | 14  | 1000          |
| 34703.W2401 | 80             | M24            | 136            | 25             | 100            | 14  | 1000          |
| 34703.W2402 | 80             | M24            | 186            | 25             | 150            | 14  | 1000          |
| 34703.W2403 | 80             | M24            | 236            | 25             | 200            | 14  | 1000          |
| 34703.W1606 | 100            | M16            | 112.5          | 28             | 75             | 16  | 1500          |
| 34703.W1607 | 100            | M16            | 137.5          | 28             | 100            | 16  | 1500          |
| 34703.W1608 | 100            | M16            | 187.5          | 28             | 150            | 16  | 1500          |
| 34703.W1609 | 100            | M16            | 237.5          | 28             | 200            | 16  | 1500          |
| 34703.W2004 | 100            | M20            | 113.5          | 28             | 75             | 20  | 1500          |
| 34703.W2005 | 100            | M20            | 138.5          | 28             | 100            | 20  | 1500          |
| 34703.W2006 | 100            | M20            | 188.5          | 28             | 150            | 20  | 1500          |

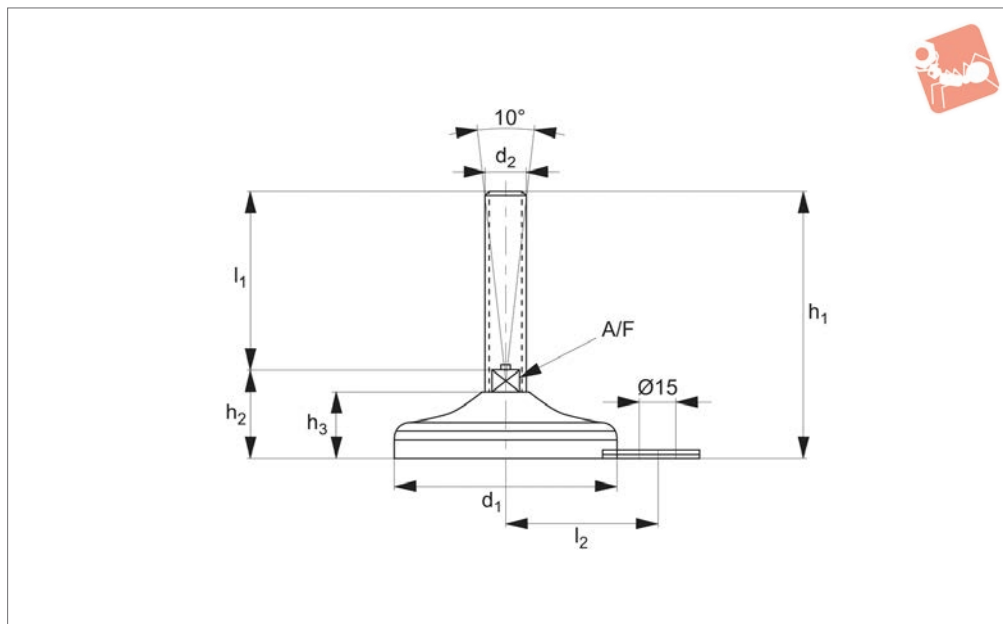


| Order No.   | d <sub>1</sub> | d <sub>2</sub> | h <sub>1</sub> | h <sub>2</sub> | l <sub>1</sub> | A/F | Load<br>kgf<br>max. |
|-------------|----------------|----------------|----------------|----------------|----------------|-----|---------------------|
| 34703.W2007 | 100            | M20            | 238.5          | 28             | 200            | 20  | 1500                |
| 34703.W2008 | 100            | M20            | 288.5          | 28             | 250            | 20  | 1500                |
| 34703.W2404 | 100            | M24            | 138.5          | 28             | 100            | 24  | 1500                |
| 34703.W2405 | 100            | M24            | 188.5          | 28             | 150            | 24  | 1500                |
| 34703.W2406 | 100            | M24            | 238.5          | 28             | 200            | 24  | 1500                |
| 34703.W2407 | 100            | M24            | 288.5          | 28             | 250            | 24  | 1500                |
| 34703.W3000 | 100            | M30            | 139.5          | 28             | 100            | 30  | 1500                |
| 34703.W3001 | 100            | M30            | 189.5          | 28             | 150            | 30  | 1500                |
| 34703.W3002 | 100            | M30            | 239.5          | 28             | 200            | 30  | 1500                |
| 34703.W3003 | 100            | M30            | 289.5          | 28             | 250            | 30  | 1500                |
| 34703.W1610 | 120            | M16            | 116.5          | 32             | 75             | 16  | 3000                |
| 34703.W1611 | 120            | M16            | 141.5          | 32             | 100            | 16  | 3000                |
| 34703.W1612 | 120            | M16            | 191.5          | 32             | 150            | 16  | 3000                |
| 34703.W1613 | 120            | M16            | 241.5          | 32             | 200            | 16  | 3000                |
| 34703.W2009 | 120            | M20            | 117.5          | 32             | 75             | 20  | 3000                |
| 34703.W2010 | 120            | M20            | 142.5          | 32             | 100            | 20  | 3000                |
| 34703.W2011 | 120            | M20            | 192.5          | 32             | 150            | 20  | 3000                |
| 34703.W2012 | 120            | M20            | 242.5          | 32             | 200            | 20  | 3000                |
| 34703.W2013 | 120            | M20            | 292.5          | 32             | 250            | 20  | 3000                |
| 34703.W2408 | 120            | M24            | 142.5          | 32             | 100            | 24  | 3000                |
| 34703.W2409 | 120            | M24            | 192.5          | 32             | 150            | 24  | 3000                |
| 34703.W2410 | 120            | M24            | 242.5          | 32             | 200            | 24  | 3000                |
| 34703.W2411 | 120            | M24            | 292.5          | 32             | 250            | 24  | 3000                |
| 34703.W3004 | 120            | M30            | 143.5          | 32             | 100            | 30  | 3000                |
| 34703.W3005 | 120            | M30            | 193.5          | 32             | 150            | 30  | 3000                |
| 34703.W3006 | 120            | M30            | 243.5          | 32             | 200            | 30  | 3000                |
| 34703.W3007 | 120            | M30            | 293.5          | 32             | 250            | 30  | 3000                |

LEVELLING FEET



## 34704



### Material

Base material: galvanized steel (C40).  
Full Steel base with vulcanized rubber.

half the screw height.

In conditions of vibrations or in presence of dynamic loads these values should be reduced.

### Technical Notes

Load values refer to static loads, located at

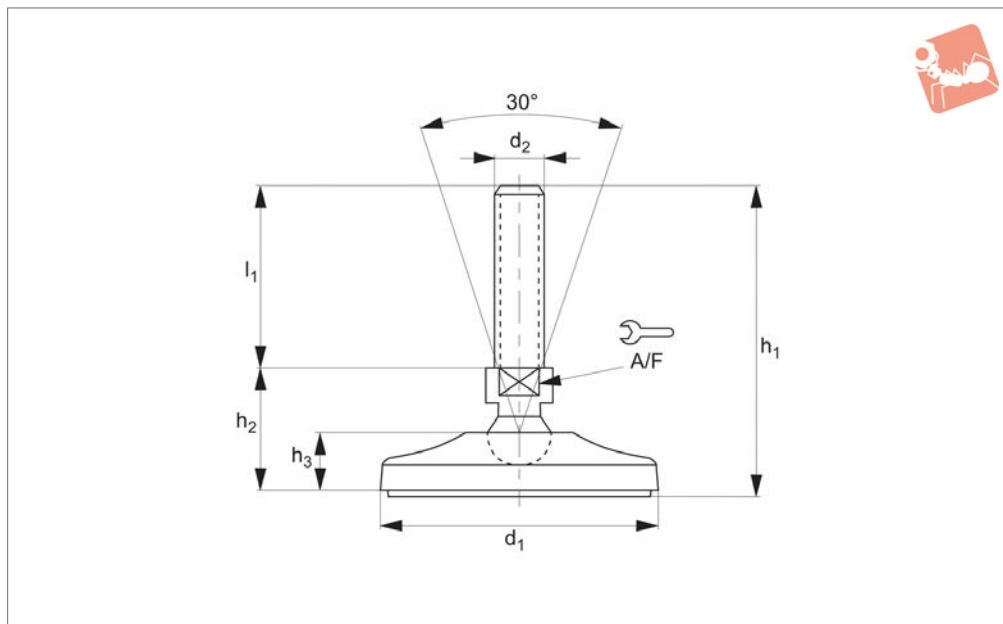
| Order No.   | d <sub>1</sub> | d <sub>2</sub> | h <sub>1</sub> | h <sub>2</sub> | h <sub>3</sub> | l <sub>1</sub> | l <sub>2</sub> | A/F | Load kgf max. | Weight g |
|-------------|----------------|----------------|----------------|----------------|----------------|----------------|----------------|-----|---------------|----------|
| 34704.W1200 | 80             | M12            | 85.0           | 35.0           | 25             | 50             | 54             | 14  | 1000          | 303      |
| 34704.W1201 | 80             | M12            | 135.0          | 35.0           | 25             | 100            | 54             | 14  | 1000          | 335      |
| 34704.W1202 | 80             | M12            | 185.0          | 35.0           | 25             | 150            | 54             | 14  | 1000          | 372      |
| 34704.W1400 | 80             | M14            | 85.0           | 35.0           | 25             | 50             | 54             | 14  | 1000          | 316      |
| 34704.W1401 | 80             | M14            | 135.0          | 35.0           | 25             | 100            | 54             | 14  | 1000          | 363      |
| 34704.W1402 | 80             | M14            | 185.0          | 35.0           | 25             | 150            | 54             | 14  | 1000          | 413      |
| 34704.W1600 | 80             | M16            | 110.0          | 35.0           | 25             | 75             | 54             | 16  | 1000          | 367      |
| 34704.W1601 | 80             | M16            | 135.0          | 35.0           | 25             | 100            | 54             | 16  | 1000          | 399      |
| 34704.W1602 | 80             | M16            | 185.0          | 35.0           | 25             | 150            | 54             | 16  | 1000          | 464      |
| 34704.W1603 | 80             | M16            | 235.0          | 35.0           | 25             | 200            | 54             | 16  | 1000          | 527      |
| 34704.W2000 | 80             | M20            | 111.0          | 36.0           | 25             | 75             | 54             | 20  | 1000          | 430      |
| 34704.W2001 | 80             | M20            | 136.0          | 36.0           | 25             | 100            | 54             | 20  | 1000          | 480      |
| 34704.W2002 | 80             | M20            | 186.0          | 36.0           | 25             | 150            | 54             | 20  | 1000          | 582      |
| 34704.W2003 | 80             | M20            | 236.0          | 36.0           | 25             | 200            | 54             | 20  | 1000          | 683      |
| 34704.W2400 | 80             | M24            | 111.0          | 36.0           | 25             | 75             | 54             | 24  | 1000          | 503      |
| 34704.W2401 | 80             | M24            | 136.0          | 36.0           | 25             | 100            | 54             | 24  | 1000          | 576      |
| 34704.W2402 | 80             | M24            | 186.0          | 36.0           | 25             | 150            | 54             | 24  | 1500          | 721      |
| 34704.W2403 | 80             | M24            | 236.0          | 36.0           | 25             | 200            | 54             | 24  | 1500          | 867      |
| 34704.W1604 | 100            | M16            | 112.5          | 37.5           | 28             | 75             | 69             | 16  | 1500          | 505      |
| 34704.W1605 | 100            | M16            | 137.5          | 37.5           | 28             | 100            | 69             | 16  | 1500          | 537      |
| 34704.W1606 | 100            | M16            | 187.5          | 37.5           | 28             | 150            | 69             | 16  | 1500          | 602      |
| 34704.W1607 | 100            | M16            | 237.5          | 37.5           | 28             | 200            | 69             | 16  | 1500          | 665      |
| 34704.W2004 | 100            | M20            | 113.5          | 38.5           | 28             | 75             | 69             | 20  | 1500          | 568      |
| 34704.W2005 | 100            | M20            | 138.5          | 38.5           | 28             | 100            | 69             | 20  | 1500          | 618      |
| 34704.W2006 | 100            | M20            | 188.5          | 38.5           | 28             | 150            | 69             | 20  | 1500          | 720      |
| 34704.W2007 | 100            | M20            | 238.5          | 38.5           | 28             | 200            | 69             | 20  | 1500          | 821      |
| 34704.W2008 | 100            | M20            | 288.5          | 38.5           | 28             | 250            | 69             | 20  | 1500          | 924      |
| 34704.W2404 | 100            | M24            | 138.5          | 38.5           | 28             | 100            | 69             | 24  | 1500          | 641      |
| 34704.W2405 | 100            | M24            | 188.5          | 38.5           | 28             | 150            | 69             | 24  | 1500          | 714      |
| 34704.W2406 | 100            | M24            | 238.5          | 38.5           | 28             | 200            | 69             | 24  | 1500          | 859      |
| 34704.W2407 | 100            | M24            | 288.5          | 38.5           | 28             | 250            | 69             | 24  | 1500          | 1005     |



| Order No.          | d <sub>1</sub> | d <sub>2</sub> | h <sub>1</sub> | h <sub>2</sub> | h <sub>3</sub> | l <sub>1</sub> | l <sub>2</sub> | A/F | Load<br>kgf<br>max. | Weight<br>g |
|--------------------|----------------|----------------|----------------|----------------|----------------|----------------|----------------|-----|---------------------|-------------|
| <b>34704.W3000</b> | 100            | M30            | 139.5          | 39.5           | 28             | 100            | 69             | 30  | 1500                | 906         |
| <b>34704.W3001</b> | 100            | M30            | 189.5          | 39.5           | 28             | 150            | 69             | 30  | 1500                | 1139        |
| <b>34704.W3002</b> | 100            | M30            | 239.5          | 39.5           | 28             | 200            | 69             | 30  | 1500                | 1363        |
| <b>34704.W3003</b> | 100            | M30            | 289.5          | 39.5           | 28             | 250            | 69             | 30  | 1500                | 1593        |



## 34705



### Material

Steel (C40), powder coated (RAL 1007), with rubber pad (70 shore A).

### Technical Notes

Load values refer to static loads, located at half the screw height.

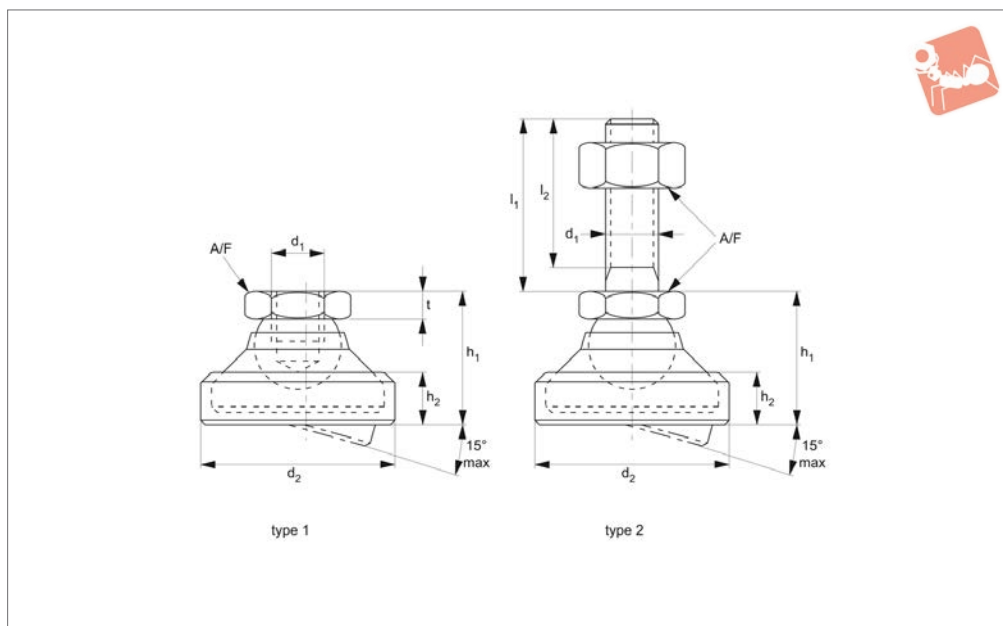
| Order No.   | d <sub>1</sub> | d <sub>2</sub> | h <sub>1</sub> | h <sub>2</sub> | h <sub>3</sub> | l <sub>1</sub> | A/F | Load kgf max. |
|-------------|----------------|----------------|----------------|----------------|----------------|----------------|-----|---------------|
| 34705.W1000 | 50             | M10            | 56             | 31             | 19             | 25             | 14  | 1500          |
| 34705.W1001 | 50             | M10            | 81             | 31             | 19             | 50             | 14  | 1500          |
| 34705.W1003 | 50             | M10            | 131            | 31             | 19             | 100            | 14  | 1500          |
| 34705.W1200 | 50             | M12            | 56             | 31             | 19             | 25             | 14  | 1500          |
| 34705.W1201 | 50             | M12            | 81             | 31             | 19             | 50             | 14  | 1500          |
| 34705.W1202 | 50             | M12            | 106            | 31             | 19             | 75             | 14  | 1500          |
| 34705.W1203 | 50             | M12            | 131            | 31             | 19             | 100            | 14  | 1500          |
| 34705.W1204 | 50             | M12            | 156            | 31             | 19             | 125            | 14  | 1500          |
| 34705.W1400 | 50             | M14            | 56             | 31             | 19             | 25             | 14  | 1500          |
| 34705.W1401 | 50             | M14            | 81             | 31             | 19             | 50             | 14  | 1500          |
| 34705.W1402 | 50             | M14            | 106            | 31             | 19             | 75             | 14  | 1500          |
| 34705.W1403 | 50             | M14            | 131            | 31             | 19             | 100            | 14  | 1500          |
| 34705.W1404 | 50             | M14            | 156            | 31             | 19             | 125            | 14  | 1500          |
| 34705.W1405 | 65             | M14            | 83             | 33             | 20             | 50             | 16  | 2000          |
| 34705.W1406 | 65             | M14            | 108            | 33             | 20             | 75             | 16  | 2000          |
| 34705.W1407 | 65             | M14            | 133            | 33             | 20             | 100            | 16  | 2000          |
| 34705.W1408 | 65             | M14            | 158            | 33             | 20             | 125            | 16  | 2000          |
| 34705.W1409 | 65             | M14            | 183            | 33             | 20             | 150            | 16  | 2000          |
| 34705.W1600 | 65             | M16            | 83             | 33             | 20             | 50             | 16  | 2000          |
| 34705.W1601 | 65             | M16            | 108            | 33             | 20             | 75             | 16  | 2000          |
| 34705.W1602 | 65             | M16            | 133            | 33             | 20             | 100            | 16  | 2000          |
| 34705.W1603 | 65             | M16            | 158            | 33             | 20             | 125            | 16  | 2000          |
| 34705.W1604 | 65             | M16            | 183            | 33             | 20             | 150            | 16  | 2000          |
| 34705.W1605 | 65             | M16            | 208            | 33             | 20             | 175            | 16  | 2000          |
| 34705.W1606 | 80             | M16            | 86             | 36             | 23             | 50             | 16  | 3000          |
| 34705.W1607 | 80             | M16            | 111            | 36             | 23             | 75             | 16  | 3000          |
| 34705.W1608 | 80             | M16            | 136            | 36             | 23             | 100            | 16  | 3000          |
| 34705.W1609 | 80             | M16            | 161            | 36             | 23             | 125            | 16  | 3000          |
| 34705.W1610 | 80             | M16            | 186            | 36             | 23             | 150            | 16  | 3000          |
| 34705.W1611 | 80             | M16            | 211            | 36             | 23             | 175            | 16  | 3000          |
| 34705.W1612 | 80             | M16            | 236            | 36             | 23             | 200            | 16  | 3000          |
| 34705.W2000 | 80             | M20            | 114            | 39             | 23             | 75             | 17  | 3000          |
| 34705.W2001 | 80             | M20            | 139            | 39             | 23             | 100            | 17  | 3000          |
| 34705.W2002 | 80             | M20            | 164            | 39             | 23             | 125            | 17  | 3000          |



| Order No.   | d <sub>1</sub> | d <sub>2</sub> | h <sub>1</sub> | h <sub>2</sub> | h <sub>3</sub> | l <sub>1</sub> | A/F | Load<br>kgf<br>max. |
|-------------|----------------|----------------|----------------|----------------|----------------|----------------|-----|---------------------|
| 34705.W2003 | 80             | M20            | 189            | 39             | 23             | 150            | 17  | 3000                |
| 34705.W2004 | 80             | M20            | 214            | 39             | 23             | 175            | 17  | 3000                |
| 34705.W2005 | 80             | M20            | 239            | 39             | 23             | 200            | 17  | 3000                |
| 34705.W2006 | 80             | M20            | 264            | 39             | 23             | 225            | 17  | 3000                |
| 34705.W1613 | 100            | M16            | 96             | 46             | 23             | 50             | 20  | 3500                |
| 34705.W1614 | 100            | M16            | 121            | 46             | 23             | 75             | 20  | 3500                |
| 34705.W1617 | 100            | M16            | 196            | 46             | 23             | 150            | 20  | 3500                |
| 34705.W1618 | 100            | M16            | 221            | 46             | 23             | 175            | 20  | 3500                |
| 34705.W1619 | 100            | M16            | 246            | 46             | 23             | 200            | 20  | 3500                |
| 34705.W2007 | 100            | M20            | 121            | 46             | 23             | 75             | 20  | 4500                |
| 34705.W2008 | 100            | M20            | 146            | 46             | 23             | 100            | 20  | 4500                |
| 34705.W2009 | 100            | M20            | 171            | 46             | 23             | 125            | 20  | 4500                |
| 34705.W2010 | 100            | M20            | 196            | 46             | 23             | 150            | 20  | 4500                |
| 34705.W2011 | 100            | M20            | 221            | 46             | 23             | 175            | 20  | 4500                |
| 34705.W2012 | 100            | M20            | 246            | 46             | 23             | 200            | 20  | 4500                |
| 34705.W2013 | 100            | M20            | 271            | 46             | 23             | 225            | 20  | 4500                |
| 34705.W2014 | 100            | M20            | 296            | 46             | 23             | 250            | 20  | 4500                |
| 34705.W2400 | 100            | M24            | 122            | 47             | 23             | 75             | 20  | 5500                |
| 34705.W2401 | 100            | M24            | 147            | 47             | 23             | 100            | 20  | 5500                |
| 34705.W2402 | 100            | M24            | 172            | 47             | 23             | 125            | 20  | 5500                |
| 34705.W2403 | 100            | M24            | 202            | 47             | 23             | 150            | 20  | 5500                |
| 34705.W2404 | 100            | M24            | 222            | 47             | 23             | 175            | 20  | 5500                |
| 34705.W2405 | 100            | M24            | 247            | 47             | 23             | 200            | 20  | 5500                |
| 34705.W2406 | 100            | M24            | 272            | 47             | 23             | 225            | 20  | 5500                |
| 34705.W2407 | 100            | M24            | 297            | 47             | 23             | 250            | 20  | 5500                |
| 34705.W1620 | 120            | M16            | 99             | 49             | 26             | 50             | 20  | 3500                |
| 34705.W1621 | 120            | M16            | 104            | 49             | 26             | 75             | 20  | 3500                |
| 34705.W1622 | 120            | M16            | 149            | 49             | 26             | 100            | 20  | 3500                |
| 34705.W1623 | 120            | M16            | 174            | 49             | 26             | 125            | 20  | 3500                |
| 34705.W1624 | 120            | M16            | 199            | 49             | 26             | 150            | 20  | 3500                |
| 34705.W1626 | 120            | M16            | 249            | 49             | 26             | 200            | 20  | 3500                |
| 34705.W2015 | 120            | M20            | 124            | 49             | 26             | 75             | 20  | 4500                |
| 34705.W2016 | 120            | M20            | 149            | 49             | 26             | 100            | 20  | 4500                |
| 34705.W2017 | 120            | M20            | 174            | 49             | 26             | 125            | 20  | 4500                |
| 34705.W2018 | 120            | M20            | 199            | 49             | 26             | 150            | 20  | 4500                |
| 34705.W2019 | 120            | M20            | 224            | 49             | 26             | 175            | 20  | 4500                |
| 34705.W2020 | 120            | M20            | 249            | 49             | 26             | 200            | 20  | 4500                |
| 34705.W2021 | 120            | M20            | 274            | 49             | 26             | 225            | 20  | 4500                |
| 34705.W2022 | 120            | M20            | 299            | 49             | 26             | 250            | 20  | 4500                |
| 34705.W2408 | 120            | M24            | 125            | 50             | 26             | 75             | 20  | 5500                |
| 34705.W2409 | 120            | M24            | 150            | 50             | 26             | 100            | 20  | 5500                |
| 34705.W2410 | 120            | M24            | 175            | 50             | 26             | 125            | 20  | 5500                |
| 34705.W2411 | 120            | M24            | 200            | 50             | 26             | 150            | 20  | 5500                |
| 34705.W2412 | 120            | M24            | 225            | 50             | 26             | 175            | 20  | 5500                |
| 34705.W2413 | 120            | M24            | 250            | 50             | 26             | 200            | 20  | 5500                |
| 34705.W2414 | 120            | M24            | 275            | 50             | 26             | 225            | 20  | 5500                |
| 34705.W2415 | 120            | M24            | 300            | 50             | 26             | 250            | 20  | 5500                |
| 34705.W3000 | 120            | M30            | 150            | 50             | 26             | 100            | 26  | 6500                |
| 34705.W3001 | 120            | M30            | 175            | 50             | 26             | 125            | 26  | 6500                |
| 34705.W3002 | 120            | M30            | 200            | 50             | 26             | 150            | 26  | 6500                |
| 34705.W3003 | 120            | M30            | 225            | 50             | 26             | 175            | 26  | 6500                |
| 34705.W3004 | 120            | M30            | 250            | 50             | 26             | 200            | 26  | 6500                |
| 34705.W3005 | 120            | M30            | 275            | 50             | 26             | 225            | 26  | 6500                |
| 34705.W3006 | 120            | M30            | 300            | 50             | 26             | 250            | 26  | 6500                |



## 34700



### Material

#### Steel type

Ball: steel heat-treated, tempered, blackened.

Ball with bolt: heat-treated steel, tempered, blackened.

Lock nut: Steel blackened, ISO 4032/DIN 934 (M10, M12 only).

Pad: heat-treated steel, tempered,

blackened.

#### Stainless type

Pad: stainless steel 1.4305 (AISI 303).

Ball: stainless steel 1.4305 (AISI 303).

Ball with bolt: stainless steel 1.4305 (AISI 303).

Lock nut: Stainless steel A2, ISO 4032/DIN 934 (M10, M12 only).

Cap: Black rubber.

### Tips

To be used as feet and thrust pads. Used for levelling up to 15° on surface. Rubber cap prevents reduces slipping.

Also used:

34761 - Levelling Feet - thermoplastic, non slip.

| Order No.   | Material        | Type         | d <sub>1</sub> | d <sub>2</sub> | h <sub>1</sub> | h <sub>2</sub> | l <sub>1</sub> | l <sub>2</sub> | t <sub>1</sub> | A/F | Static load<br>kN<br>max. | Weight<br>g |
|-------------|-----------------|--------------|----------------|----------------|----------------|----------------|----------------|----------------|----------------|-----|---------------------------|-------------|
| 34700.W1006 | Steel           | Pad          | M 6            | 20             | 14             | 2.5            | -              | -              | 5.0            | 10  | 10                        | 15          |
| 34700.W1008 | Steel           | Pad          | M 8            | 25             | 18             | 4.0            | -              | -              | 7.0            | 13  | 18                        | 33          |
| 34700.W1010 | Steel           | Pad          | M10            | 32             | 22             | 5.0            | -              | -              | 9.0            | 17  | 20                        | 66          |
| 34700.W1012 | Steel           | Pad          | M12            | 40             | 26             | 6.0            | -              | -              | 11.0           | 19  | 35                        | 112         |
| 34700.W1016 | Steel           | Pad          | M16            | 50             | 32             | 7.0            | -              | -              | 13.5           | 24  | 45                        | 220         |
| 34700.W1020 | Steel           | Pad          | M20            | 60             | 42             | 8.0            | -              | -              | 17.0           | 30  | 55                        | 413         |
| 34700.W1024 | Steel           | Pad          | M24            | 60             | 45             | 9.5            | -              | -              | 19.0           | 36  | 65                        | 462         |
| 34700.W1410 | Steel           | Pad and Bolt | M 6            | 20             | 14             | 2.5            | 60             | 57.0           | -              | 10  | 10                        | 29          |
| 34700.W1422 | Steel           | Pad and Bolt | M 8            | 25             | 18             | 4.0            | 80             | 76.0           | -              | 13  | 18                        | 66          |
| 34700.W1438 | Steel           | Pad and Bolt | M10            | 32             | 22             | 5.0            | 100            | 95.5           | -              | 17  | 20                        | 133         |
| 34700.W1442 | Steel           | Pad and Bolt | M10            | 32             | 22             | 5.0            | 150            | 145.5          | -              | 17  | 20                        | 159         |
| 34700.W1452 | Steel           | Pad and Bolt | M12            | 40             | 26             | 6.0            | 100            | 94.5           | -              | 19  | 35                        | 211         |
| 34700.W1456 | Steel           | Pad and Bolt | M12            | 40             | 26             | 6.0            | 150            | 144.5          | -              | 19  | 35                        | 247         |
| 34700.W1468 | Steel           | Pad and Bolt | M16            | 50             | 32             | 7.0            | 100            | 94.0           | -              | 24  | 45                        | 407         |
| 34700.W1472 | Steel           | Pad and Bolt | M16            | 50             | 32             | 7.0            | 200            | 194.0          | -              | 24  | 45                        | 540         |
| 34700.W1482 | Steel           | Pad and Bolt | M20            | 60             | 42             | 8.0            | 100            | 92.5           | -              | 30  | 55                        | 722         |
| 34700.W1488 | Steel           | Pad and Bolt | M20            | 60             | 42             | 8.0            | 200            | 192.5          | -              | 30  | 55                        | 924         |
| 34700.W1495 | Steel           | Pad and Bolt | M24            | 60             | 45             | 9.5            | 100            | 91.0           | -              | 36  | 65                        | 935         |
| 34700.W1498 | Steel           | Pad and Bolt | M24            | 60             | 45             | 9.5            | 200            | 191.0          | -              | 36  | 65                        | 1231        |
| 34700.W1206 | Stainless Steel | Pad          | M 6            | 20             | 14             | 2.5            | -              | -              | 5.0            | 10  | 8                         | 15          |
| 34700.W1208 | Stainless Steel | Pad          | M 8            | 25             | 18             | 4.0            | -              | -              | 7.0            | 13  | 14                        | 33          |
| 34700.W1210 | Stainless Steel | Pad          | M10            | 32             | 22             | 5.0            | -              | -              | 9.0            | 17  | 16                        | 66          |
| 34700.W1212 | Stainless Steel | Pad          | M12            | 40             | 26             | 6.0            | -              | -              | 11.0           | 19  | 28                        | 112         |
| 34700.W1216 | Stainless Steel | Pad          | M16            | 50             | 32             | 7.0            | -              | -              | 13.5           | 24  | 36                        | 220         |
| 34700.W1220 | Stainless Steel | Pad          | M20            | 60             | 42             | 8.0            | -              | -              | 17.0           | 30  | 44                        | 413         |
| 34700.W1224 | Stainless Steel | Pad          | M24            | 60             | 45             | 9.5            | -              | -              | 19.0           | 36  | 52                        | 462         |
| 34700.W1610 | Stainless Steel | Pad and Bolt | M 6            | 20             | 14             | 2.5            | 60             | 57.0           | -              | 10  | 8                         | 29          |





# Levelling Feet - Non Slip pad and bolt - steel or stainless



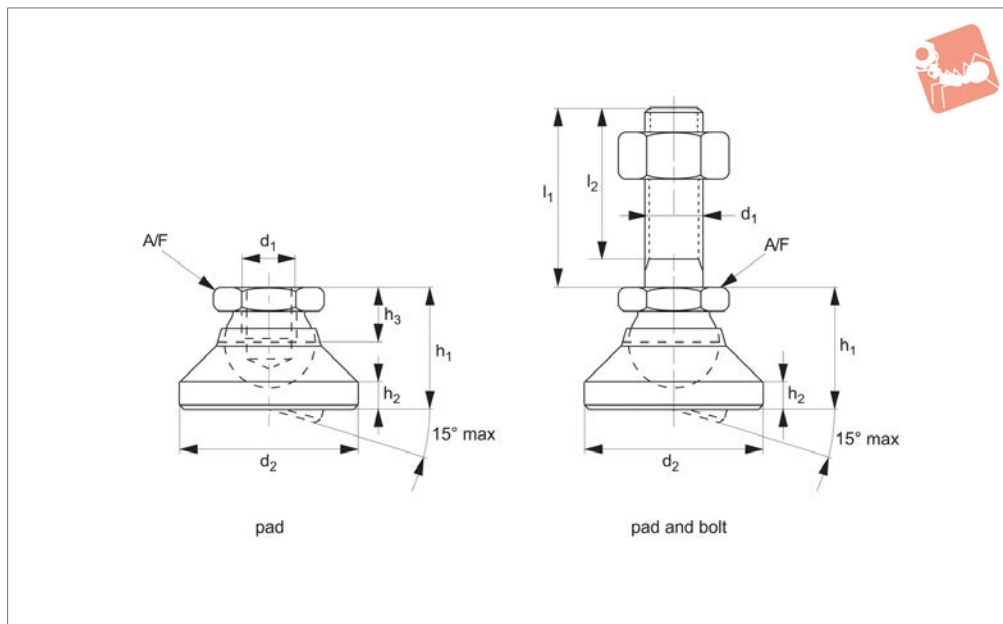
## Levelling Feet

| Order No.          | Material        | Type         | d <sub>1</sub> | d <sub>2</sub> | h <sub>1</sub> | h <sub>2</sub> | l <sub>1</sub> | l <sub>2</sub> | t <sub>1</sub> | A/F | Static load<br>kN<br>max. | Weight<br>g |
|--------------------|-----------------|--------------|----------------|----------------|----------------|----------------|----------------|----------------|----------------|-----|---------------------------|-------------|
| <b>34700.W1622</b> | Stainless Steel | Pad and Bolt | M 8            | 25             | 18             | 4.0            | 80             | 76.0           | -              | 13  | 14                        | 66          |
| <b>34700.W1638</b> | Stainless Steel | Pad and Bolt | M10            | 32             | 22             | 5.0            | 100            | 95.5           | -              | 17  | 16                        | 133         |
| <b>34700.W1642</b> | Stainless Steel | Pad and Bolt | M10            | 32             | 22             | 5.0            | 150            | 145.5          | -              | 17  | 16                        | 159         |
| <b>34700.W1652</b> | Stainless Steel | Pad and Bolt | M12            | 40             | 26             | 6.0            | 100            | 94.5           | -              | 19  | 28                        | 211         |
| <b>34700.W1656</b> | Stainless Steel | Pad and Bolt | M12            | 40             | 26             | 6.0            | 150            | 144.5          | -              | 19  | 28                        | 247         |
| <b>34700.W1668</b> | Stainless Steel | Pad and Bolt | M16            | 50             | 32             | 7.0            | 100            | 94.0           | -              | 24  | 36                        | 407         |
| <b>34700.W1672</b> | Stainless Steel | Pad and Bolt | M16            | 50             | 32             | 7.0            | 200            | 194.0          | -              | 24  | 36                        | 540         |
| <b>34700.W1682</b> | Stainless Steel | Pad and Bolt | M20            | 60             | 42             | 8.0            | 100            | 92.5           | -              | 30  | 44                        | 722         |
| <b>34700.W1688</b> | Stainless Steel | Pad and Bolt | M20            | 60             | 42             | 8.0            | 200            | 192.5          | -              | 30  | 44                        | 924         |
| <b>34700.W1695</b> | Stainless Steel | Pad and Bolt | M24            | 60             | 45             | 9.5            | 100            | 91.0           | -              | 36  | 52                        | 935         |
| <b>34700.W1698</b> | Stainless Steel | Pad and Bolt | M24            | 60             | 45             | 9.5            | 200            | 191.0          | -              | 36  | 52                        | 1231        |

LEVELLING FEET



## 34701



### Material

#### Steel type-

Pad: heat-treated, C35Pbk (ETG100) tempered (800-1000 N/mm<sup>2</sup>), blackened.

Ball: free cutting steel, 11SMnPn30k (1.0718) - ball hardened (550±50HV10), blackened.

Ball with bolt: heat-treated steel, blackened.

Lock nut: Steel blackened, DIN 934/ISO 4032.

#### Stainless type-

Pad: stainless steel 1.4305 (AISI 303).

Ball: stainless steel 1.4305 (AISI 303).

Ball with bolt: stainless steel 1.4305 (AISI 303).

Lock nut: Stainless steel A2, DIN 934/ISO 4032.

### Tips

To be used as feet and thrust pads.

| Order No.   | Material  | Type         | d <sub>1</sub> | d <sub>2</sub> | h <sub>1</sub><br>≈ | h <sub>2</sub> | h <sub>3</sub> | l <sub>1</sub> | l <sub>2</sub> | A/F | Static load steel<br>kN<br>max. | Static load stainless<br>kN<br>max. | Weight<br>g |
|-------------|-----------|--------------|----------------|----------------|---------------------|----------------|----------------|----------------|----------------|-----|---------------------------------|-------------------------------------|-------------|
| 34701.W0006 | Steel     | Pad          | M6             | 20             | 14                  | 2.5            | 5.0            | -              | -              | 10  | 10                              | 8                                   | 15          |
| 34701.W0008 | Steel     | Pad          | M8             | 25             | 18                  | 4.0            | 7.0            | -              | -              | 13  | 18                              | 14                                  | 33          |
| 34701.W0010 | Steel     | Pad          | M10            | 32             | 22                  | 5.0            | 9.0            | -              | -              | 17  | 20                              | 16                                  | 66          |
| 34701.W0012 | Steel     | Pad          | M12            | 40             | 26                  | 6.0            | 11.0           | -              | -              | 19  | 35                              | 28                                  | 112         |
| 34701.W0016 | Steel     | Pad          | M16            | 50             | 32                  | 7.0            | 13.5           | -              | -              | 24  | 45                              | 36                                  | 220         |
| 34701.W0020 | Steel     | Pad          | M20            | 60             | 42                  | 8.0            | 17.0           | -              | -              | 30  | 55                              | 44                                  | 413         |
| 34701.W0024 | Steel     | Pad          | M24            | 60             | 45                  | 9.5            | 19.0           | -              | -              | 36  | 65                              | 52                                  | 462         |
| 34701.W0206 | Stainless | Pad          | M6             | 20             | 14                  | 2.5            | 5.0            | -              | -              | 10  | 10                              | 8                                   | 15          |
| 34701.W0208 | Stainless | Pad          | M8             | 25             | 18                  | 4.0            | 7.0            | -              | -              | 13  | 18                              | 14                                  | 33          |
| 34701.W0210 | Stainless | Pad          | M10            | 32             | 22                  | 5.0            | 9.0            | -              | -              | 17  | 20                              | 16                                  | 66          |
| 34701.W0212 | Stainless | Pad          | M12            | 40             | 26                  | 6.0            | 11.0           | -              | -              | 19  | 35                              | 28                                  | 112         |
| 34701.W0216 | Stainless | Pad          | M16            | 50             | 32                  | 7.0            | 13.5           | -              | -              | 24  | 45                              | 36                                  | 220         |
| 34701.W0220 | Stainless | Pad          | M20            | 60             | 42                  | 8.0            | 17.0           | -              | -              | 30  | 55                              | 44                                  | 413         |
| 34701.W0224 | Stainless | Pad          | M24            | 60             | 45                  | 9.5            | 19.0           | -              | -              | 36  | 65                              | 52                                  | 462         |
| 34701.W0410 | Steel     | Pad and Bolt | M 6            | 20             | 14                  | 2.5            | -              | 60             | 57.0           | 10  | 10                              | 8                                   | 29          |
| 34701.W0422 | Steel     | Pad and Bolt | M 8            | 25             | 18                  | 4.0            | -              | 80             | 76.0           | 13  | 18                              | 14                                  | 66          |
| 34701.W0438 | Steel     | Pad and Bolt | M10            | 32             | 22                  | 5.0            | -              | 100            | 95.5           | 17  | 20                              | 16                                  | 133         |
| 34701.W0442 | Steel     | Pad and Bolt | M10            | 32             | 22                  | 5.0            | -              | 150            | 145.5          | 17  | 20                              | 16                                  | 159         |
| 34701.W0452 | Steel     | Pad and Bolt | M12            | 40             | 26                  | 6.0            | -              | 100            | 94.5           | 19  | 35                              | 28                                  | 211         |
| 34701.W0456 | Steel     | Pad and Bolt | M12            | 40             | 26                  | 6.0            | -              | 150            | 144.5          | 19  | 35                              | 28                                  | 247         |
| 34701.W0468 | Steel     | Pad and Bolt | M16            | 50             | 32                  | 7.0            | -              | 100            | 94.0           | 24  | 45                              | 36                                  | 407         |
| 34701.W0472 | Steel     | Pad and Bolt | M16            | 50             | 32                  | 7.0            | -              | 200            | 194.0          | 24  | 45                              | 36                                  | 540         |
| 34701.W0482 | Steel     | Pad and Bolt | M20            | 60             | 42                  | 8.0            | -              | 100            | 92.5           | 30  | 55                              | 44                                  | 722         |
| 34701.W0488 | Steel     | Pad and Bolt | M20            | 60             | 42                  | 8.0            | -              | 200            | 192.5          | 30  | 55                              | 44                                  | 924         |
| 34701.W0495 | Steel     | Pad and Bolt | M24            | 60             | 45                  | 9.5            | -              | 100            | 91.0           | 36  | 65                              | 52                                  | 935         |
| 34701.W0498 | Steel     | Pad and Bolt | M24            | 60             | 45                  | 9.5            | -              | 200            | 191.0          | 36  | 65                              | 52                                  | 1231        |
| 34701.W0610 | Stainless | Pad and Bolt | M 6            | 20             | 14                  | 2.5            | -              | 60             | 57.0           | 10  | 10                              | 8                                   | 29          |
| 34701.W0622 | Stainless | Pad and Bolt | M 8            | 25             | 18                  | 4.0            | -              | 80             | 76.0           | 13  | 18                              | 14                                  | 66          |
| 34701.W0638 | Stainless | Pad and Bolt | M10            | 32             | 22                  | 5.0            | -              | 100            | 95.5           | 17  | 20                              | 16                                  | 133         |
| 34701.W0642 | Stainless | Pad and Bolt | M10            | 32             | 22                  | 5.0            | -              | 150            | 145.5          | 17  | 20                              | 16                                  | 159         |



# Levelling Feet

pad and bolt steel or stainless



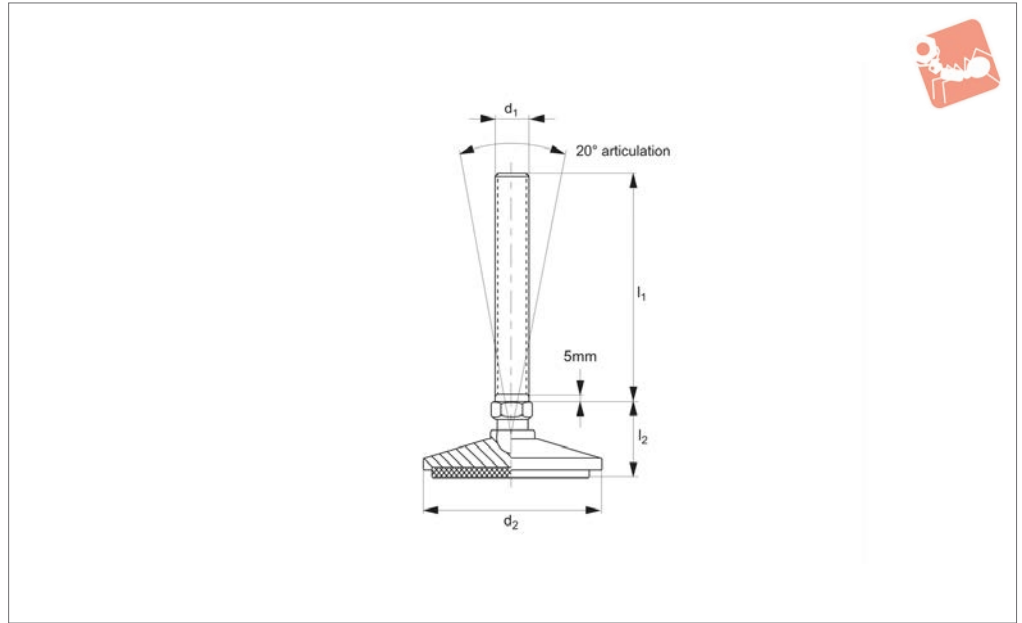
# Levelling Feet

| Order No.          | Material  | Type         | d <sub>1</sub> | d <sub>2</sub> | h <sub>1</sub><br>≈ | h <sub>2</sub> | h <sub>3</sub> | l <sub>1</sub> | l <sub>2</sub> | A/F | Static load steel<br>kN<br>max. | Static load stainless<br>kN<br>max. | Weight<br>g |
|--------------------|-----------|--------------|----------------|----------------|---------------------|----------------|----------------|----------------|----------------|-----|---------------------------------|-------------------------------------|-------------|
| <b>34701.W0652</b> | Stainless | Pad and Bolt | M12            | 40             | 26                  | 6.0            | -              | 100            | 94.5           | 19  | 35                              | 28                                  | 211         |
| <b>34701.W0656</b> | Stainless | Pad and Bolt | M12            | 40             | 26                  | 6.0            | -              | 150            | 144.5          | 19  | 35                              | 28                                  | 247         |
| <b>34701.W0668</b> | Stainless | Pad and Bolt | M16            | 50             | 32                  | 7.0            | -              | 100            | 94.0           | 24  | 45                              | 36                                  | 407         |
| <b>34701.W0672</b> | Stainless | Pad and Bolt | M16            | 50             | 32                  | 7.0            | -              | 200            | 194.0          | 24  | 45                              | 36                                  | 540         |
| <b>34701.W0682</b> | Stainless | Pad and Bolt | M20            | 60             | 42                  | 8.0            | -              | 100            | 92.5           | 30  | 55                              | 44                                  | 722         |
| <b>34701.W0688</b> | Stainless | Pad and Bolt | M20            | 60             | 42                  | 8.0            | -              | 200            | 192.5          | 30  | 55                              | 44                                  | 924         |
| <b>34701.W0695</b> | Stainless | Pad and Bolt | M24            | 60             | 45                  | 9.5            | -              | 100            | 91.0           | 36  | 65                              | 52                                  | 935         |
| <b>34701.W0698</b> | Stainless | Pad and Bolt | M24            | 60             | 45                  | 9.5            | -              | 200            | 191.0          | 36  | 65                              | 52                                  | 1231        |

LEVELLING FEET



**34711**



**Material**

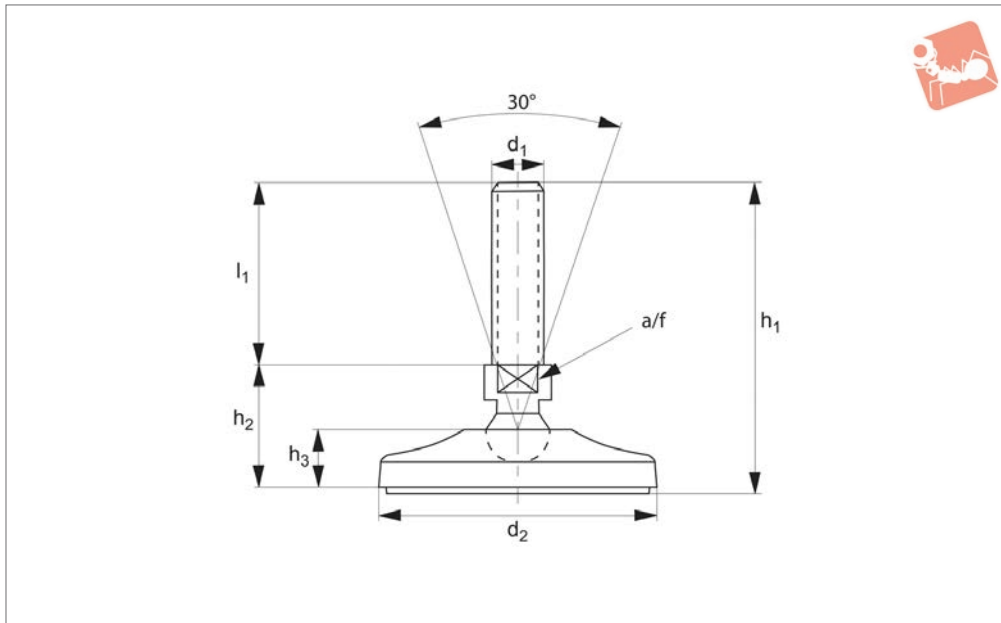
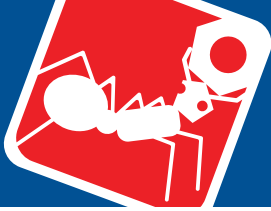
Pad and bolt: stainless steel, type AISI 303. With nitril rubber pad.

**Tips**

For use in a wide range of industries including, food processing, pharmaceutical,

electronic, medical and machinery shops.

| Order No.   | d <sub>1</sub> | l <sub>1</sub> | d <sub>2</sub> | l <sub>2</sub> | Static load<br>kN<br>max. |
|-------------|----------------|----------------|----------------|----------------|---------------------------|
| 34711.W0120 | M12            | 75             | 55             | 27             | 7.5                       |
| 34711.W0121 | M12            | 125            | 55             | 27             | 7.5                       |
| 34711.W0122 | M12            | 150            | 55             | 27             | 7.5                       |
| 34711.W0160 | M16            | 75             | 65             | 33             | 12.5                      |
| 34711.W0161 | M16            | 125            | 65             | 33             | 12.5                      |
| 34711.W0162 | M16            | 150            | 65             | 33             | 12.5                      |
| 34711.W0200 | M20            | 125            | 75             | 41             | 17.5                      |
| 34711.W0201 | M20            | 150            | 75             | 41             | 17.5                      |
| 34711.W0202 | M20            | 200            | 75             | 41             | 17.5                      |
| 34711.W0240 | M24            | 125            | 100            | 52             | 25.0                      |
| 34711.W0241 | M24            | 150            | 100            | 52             | 25.0                      |
| 34711.W0242 | M24            | 200            | 100            | 52             | 25.0                      |



## 34714

LEVELLING FEET

### Material

Stainless steel (AISI 304), with rubber pad (70 Shore A).

Stainless steel (AISI 316) version available

on request.

### Technical Notes

Load values refer to static loads, located at

half the screw height.

When vibrations or dynamic loads are present these values should be reduced.

| Order No.   | d <sub>1</sub> | l <sub>1</sub> | d <sub>2</sub> | h <sub>1</sub> | h <sub>2</sub> | h <sub>3</sub> | A/F | Load kN max. |
|-------------|----------------|----------------|----------------|----------------|----------------|----------------|-----|--------------|
| 34714.W1000 | M10            | 25             | 50             | 56             | 28             | 16.0           | 14  | 15           |
| 34714.W1001 | M10            | 50             | 50             | 81             | 28             | 16.0           | 14  | 15           |
| 34714.W1002 | M10            | 75             | 50             | 106            | 28             | 16.0           | 14  | 15           |
| 34714.W1003 | M10            | 100            | 50             | 131            | 28             | 16.0           | 14  | 15           |
| 34714.W1004 | M10            | 125            | 50             | 156            | 28             | 16.0           | 14  | 15           |
| 34714.W1200 | M12            | 25             | 50             | 56             | 28             | 16.0           | 14  | 15           |
| 34714.W1201 | M12            | 50             | 50             | 81             | 28             | 16.0           | 14  | 15           |
| 34714.W1202 | M12            | 75             | 50             | 106            | 28             | 16.0           | 14  | 15           |
| 34714.W1203 | M12            | 100            | 50             | 131            | 28             | 16.0           | 14  | 15           |
| 34714.W1204 | M12            | 125            | 50             | 156            | 28             | 16.0           | 14  | 15           |
| 34714.W1400 | M14            | 50             | 65             | 83             | 30             | 17.0           | 14  | 20           |
| 34714.W1401 | M14            | 75             | 65             | 108            | 30             | 17.0           | 14  | 20           |
| 34714.W1402 | M14            | 100            | 65             | 133            | 30             | 17.0           | 14  | 20           |
| 34714.W1403 | M14            | 125            | 65             | 158            | 30             | 17.0           | 14  | 20           |
| 34714.W1404 | M14            | 150            | 65             | 183            | 30             | 17.0           | 14  | 20           |
| 34714.W1600 | M16            | 50             | 100            | 96             | 43             | 20.0           | 20  | 35           |
| 34714.W1601 | M16            | 75             | 100            | 121            | 43             | 20.0           | 20  | 35           |
| 34714.W1602 | M16            | 100            | 100            | 146            | 43             | 20.0           | 20  | 35           |
| 34714.W1603 | M16            | 125            | 100            | 171            | 43             | 20.0           | 20  | 35           |
| 34714.W1604 | M16            | 150            | 100            | 196            | 43             | 20.0           | 20  | 35           |
| 34714.W1605 | M16            | 175            | 100            | 221            | 43             | 20.0           | 20  | 35           |
| 34714.W1606 | M16            | 200            | 100            | 246            | 43             | 20.0           | 20  | 35           |
| 34714.W2000 | M20            | 75             | 100            | 121            | 43             | 20.0           | 20  | 45           |
| 34714.W2001 | M20            | 100            | 100            | 146            | 43             | 20.0           | 20  | 45           |
| 34714.W2002 | M20            | 125            | 100            | 171            | 43             | 20.0           | 20  | 45           |
| 34714.W2003 | M20            | 150            | 100            | 196            | 43             | 20.0           | 20  | 45           |
| 34714.W2004 | M20            | 175            | 100            | 221            | 43             | 20.0           | 20  | 45           |
| 34714.W2005 | M20            | 200            | 100            | 246            | 43             | 20.0           | 20  | 45           |
| 34714.W2006 | M20            | 225            | 100            | 271            | 43             | 20.0           | 20  | 45           |
| 34714.W2007 | M20            | 250            | 100            | 296            | 43             | 20.0           | 20  | 45           |
| 34714.W2400 | M24            | 75             | 100            | 122            | 44             | 20.0           | 20  | 55           |
| 34714.W2401 | M24            | 100            | 100            | 147            | 44             | 20.0           | 20  | 55           |
| 34714.W2402 | M24            | 125            | 100            | 172            | 44             | 20.0           | 20  | 55           |



| Order No.          | d <sub>1</sub> | l <sub>1</sub> | d <sub>2</sub> | h <sub>1</sub> | h <sub>2</sub> | h <sub>3</sub> | A/F | Load<br>kN<br>max. |
|--------------------|----------------|----------------|----------------|----------------|----------------|----------------|-----|--------------------|
| <b>34714.W2403</b> | M24            | 150            | 100            | 202            | 44             | 20.0           | 20  | 55                 |
| <b>34714.W2404</b> | M24            | 175            | 100            | 222            | 44             | 20.0           | 20  | 55                 |
| <b>34714.W2405</b> | M24            | 200            | 100            | 247            | 44             | 20.0           | 20  | 55                 |
| <b>34714.W2406</b> | M24            | 225            | 100            | 272            | 44             | 20.0           | 20  | 55                 |
| <b>34714.W2407</b> | M24            | 250            | 100            | 297            | 44             | 20.0           | 20  | 55                 |
| <b>34714.W3000</b> | M30            | 100            | 120            | 150            | 47             | 23.0           | 26  | 65                 |
| <b>34714.W3001</b> | M30            | 125            | 120            | 175            | 47             | 23.0           | 26  | 65                 |
| <b>34714.W3002</b> | M30            | 150            | 120            | 200            | 47             | 23.0           | 26  | 65                 |
| <b>34714.W3003</b> | M30            | 175            | 120            | 225            | 47             | 23.0           | 26  | 65                 |
| <b>34714.W3004</b> | M30            | 200            | 120            | 250            | 47             | 23.0           | 26  | 65                 |
| <b>34714.W3005</b> | M30            | 225            | 120            | 275            | 47             | 23.0           | 26  | 65                 |
| <b>34714.W3006</b> | M30            | 250            | 120            | 300            | 47             | 23.0           | 26  | 65                 |

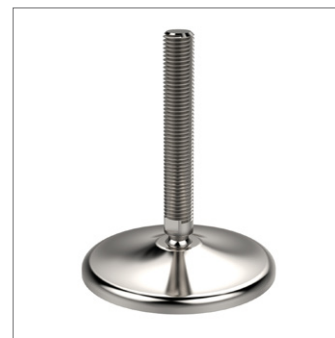
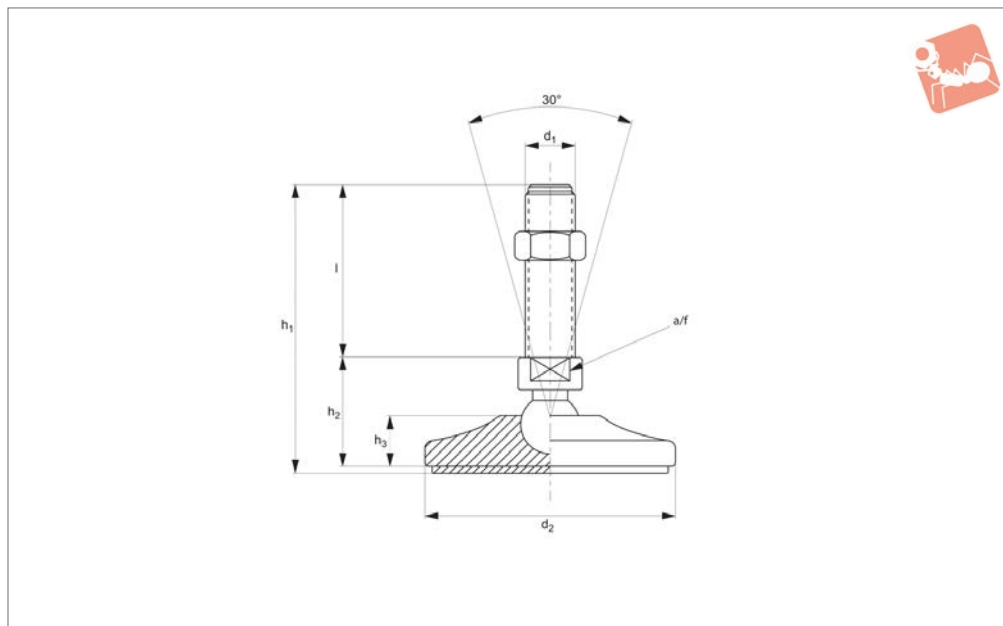


# Levelling Feet

stainless steel, heavy duty



# Levelling Feet



## 34716

LEVELLING FEET

### Material

Stainless steel (AISI 304), with rubber pad (70 Shore A).

Stainless steel (AISI 316) version available

on request.

### Technical Notes

Load values refer to static loads, located at

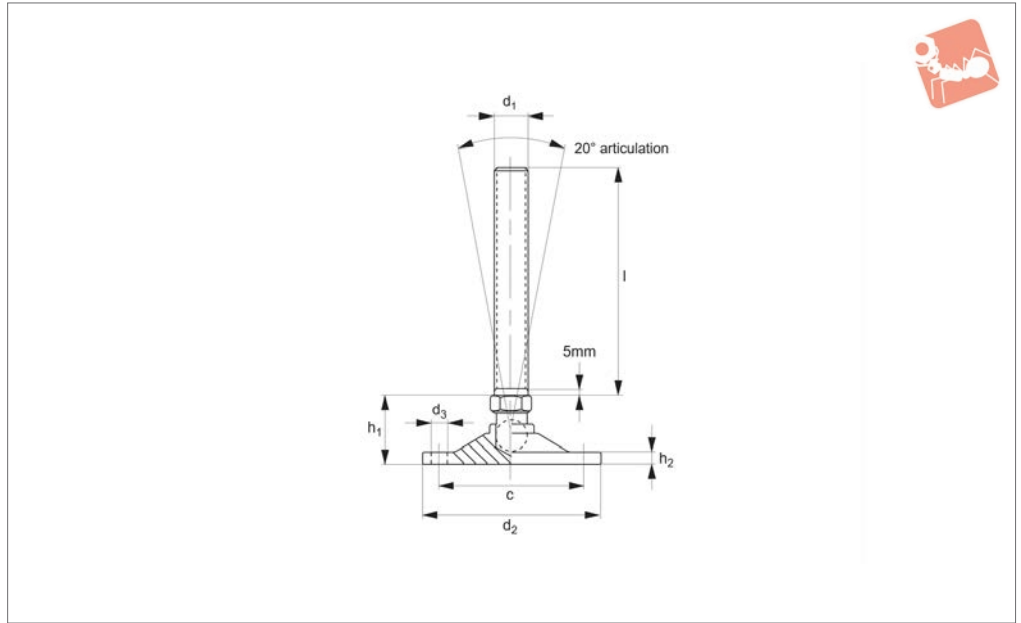
half the screw height.

When vibrations or dynamic loads are present these values should be reduced.

| Order No.   | d <sub>1</sub> | d <sub>2</sub> | l   | h <sub>1</sub> | h <sub>2</sub> | h <sub>3</sub> | A/F | Load kN max. |
|-------------|----------------|----------------|-----|----------------|----------------|----------------|-----|--------------|
| 34716.W2000 | M20            | 160            | 75  | 127            | 49             | 26             | 20  | 50           |
| 34716.W2001 | M20            | 160            | 100 | 152            | 49             | 26             | 20  | 50           |
| 34716.W2002 | M20            | 160            | 125 | 177            | 49             | 26             | 20  | 50           |
| 34716.W2003 | M20            | 160            | 150 | 202            | 49             | 26             | 20  | 50           |
| 34716.W2004 | M20            | 160            | 175 | 227            | 49             | 26             | 20  | 50           |
| 34716.W2005 | M20            | 160            | 200 | 252            | 49             | 26             | 20  | 50           |
| 34716.W2400 | M24            | 160            | 75  | 127            | 49             | 26             | 20  | 60           |
| 34716.W2401 | M24            | 160            | 100 | 152            | 49             | 26             | 20  | 60           |
| 34716.W2402 | M24            | 160            | 125 | 177            | 49             | 26             | 20  | 60           |
| 34716.W2403 | M24            | 160            | 150 | 202            | 49             | 26             | 20  | 60           |
| 34716.W2404 | M24            | 160            | 175 | 227            | 49             | 26             | 20  | 60           |
| 34716.W2405 | M24            | 160            | 200 | 252            | 49             | 26             | 20  | 60           |
| 34716.W3000 | M30            | 160            | 100 | 152            | 49             | 26             | 26  | 70           |
| 34716.W3001 | M30            | 160            | 125 | 177            | 49             | 26             | 26  | 70           |
| 34716.W3002 | M30            | 160            | 150 | 202            | 49             | 26             | 26  | 70           |
| 34716.W3003 | M30            | 160            | 175 | 227            | 49             | 26             | 26  | 70           |
| 34716.W3004 | M30            | 160            | 200 | 252            | 49             | 26             | 26  | 70           |
| 34716.W3005 | M30            | 160            | 225 | 277            | 49             | 26             | 26  | 70           |
| 34716.W3006 | M30            | 160            | 250 | 302            | 49             | 26             | 26  | 70           |
| 34716.W3600 | M36            | 160            | 150 | 204            | 51             | 26             | 32  | 80           |
| 34716.W3601 | M36            | 160            | 200 | 254            | 51             | 26             | 32  | 80           |



**34712**



### Material

Pad and bolt: stainless steel, AISI 303.

### Technical Notes

Bolt has a 20° angle of movement.

| Order No.   | d <sub>1</sub> | d <sub>2</sub> | c   | d <sub>3</sub> | l   | h <sub>1</sub> | h <sub>2</sub> | Static load<br>kN<br>max. |
|-------------|----------------|----------------|-----|----------------|-----|----------------|----------------|---------------------------|
| 34712.W0508 | M 8            | 50             | 40  | 5.5            | 60  | 22             | 4.0            | 3.0                       |
| 34712.W0600 | M10            | 50             | 40  | 5.5            | 75  | 22             | 5.0            | 5.0                       |
| 34712.W0620 | M12            | 50             | 40  | 5.5            | 75  | 25             | 4.0            | 7.5                       |
| 34712.W0621 | M12            | 60             | 50  | 5.5            | 75  | 25             | 5.0            | 12.5                      |
| 34712.W0622 | M12            | 60             | 50  | 5.5            | 125 | 25             | 5.0            | 12.5                      |
| 34712.W0623 | M12            | 60             | 50  | 5.5            | 150 | 25             | 5.0            | 12.5                      |
| 34712.W0660 | M16            | 80             | 68  | 6.5            | 75  | 31             | 6.0            | 17.5                      |
| 34712.W0661 | M16            | 80             | 68  | 6.5            | 125 | 31             | 6.0            | 17.5                      |
| 34712.W0662 | M16            | 80             | 68  | 6.5            | 150 | 31             | 6.0            | 17.5                      |
| 34712.W0700 | M20            | 100            | 82  | 9.0            | 125 | 39             | 6.5            | 25.0                      |
| 34712.W0701 | M20            | 100            | 82  | 9.0            | 150 | 39             | 6.5            | 25.0                      |
| 34712.W0702 | M20            | 100            | 82  | 9.0            | 200 | 39             | 6.5            | 25.0                      |
| 34712.W0703 | M24            | 120            | 100 | 11.0           | 150 | 56             | 7.5            | 37.5                      |
| 34712.W0704 | M24            | 120            | 100 | 11.0           | 200 | 56             | 7.5            | 37.5                      |

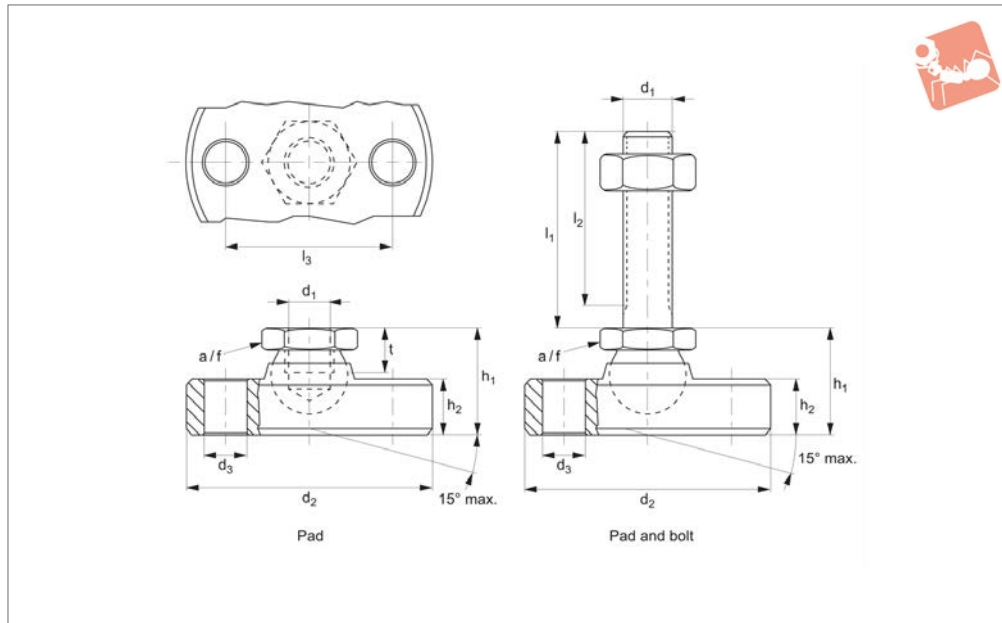




# Levelling Feet - Bolt Down, Heavy

pad and bolt **stainless steel**

# Levelling Feet



## 34713

LEVELLING FEET

### Material

Pad and bolt: stainless steel 1.4305, AISI 303.

Lock nut: Stainless steel A2, DIN 934 and

ISO 4032.

### Technical Notes

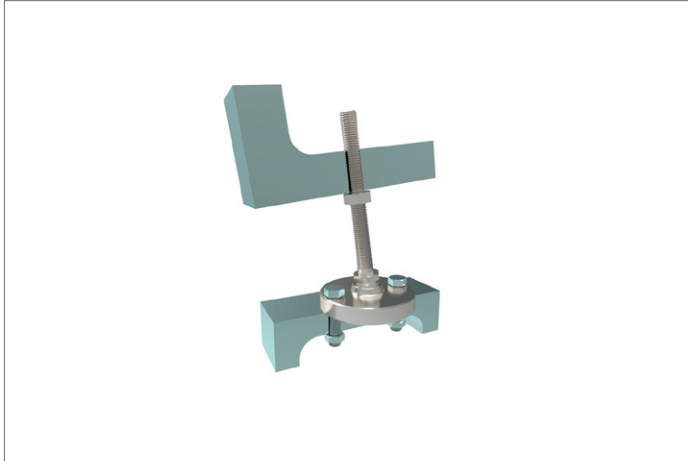
To be used as foot and thrust pad. Inclu-

ding two mounting holes in pad.

| Order No.   | Finish       | d <sub>1</sub> | l <sub>1</sub> | d <sub>2</sub><br>-0.5 | d <sub>3</sub> | l <sub>2</sub> | l <sub>3</sub> | h <sub>1</sub><br>≈ | h <sub>2</sub> | t    | A/F | Static load<br>kN<br>max. | Weight<br>g |
|-------------|--------------|----------------|----------------|------------------------|----------------|----------------|----------------|---------------------|----------------|------|-----|---------------------------|-------------|
| 34713.W0706 | Pad          | M 6            | -              | 45                     | 6.6            | -              | 32             | 14                  | 6.5            | 5.0  | 10  | 8                         | 79          |
| 34713.W0708 | Pad          | M 8            | -              | 50                     | 6.6            | -              | 38             | 18                  | 8.5            | 7.0  | 13  | 14                        | 130         |
| 34713.W0710 | Pad          | M10            | -              | 60                     | 9.0            | -              | 44             | 22                  | 11.5           | 9.0  | 17  | 16                        | 250         |
| 34713.W0712 | Pad          | M12            | -              | 65                     | 9.0            | -              | 48             | 26                  | 12.5           | 11.0 | 19  | 28                        | 326         |
| 34713.W0716 | Pad          | M16            | -              | 70                     | 9.0            | -              | 54             | 32                  | 13.5           | 13.5 | 24  | 36                        | 427         |
| 34713.W0720 | Pad          | M20            | -              | 80                     | 9.0            | -              | 64             | 42                  | 16.5           | 17.0 | 30  | 44                        | 718         |
| 34713.W0724 | Pad          | M24            | -              | 100                    | 11.0           | -              | 78             | 45                  | 20.5           | 19.0 | 36  | 52                        | 1304        |
| 34713.W0810 | Pad and Bolt | M 6            | 60             | 45                     | 6.6            | 57.0           | 32             | 14                  | 6.5            | -    | 10  | 8                         | 93          |
| 34713.W0822 | Pad and Bolt | M 8            | 80             | 50                     | 6.6            | 76.0           | 38             | 18                  | 8.5            | -    | 13  | 14                        | 163         |
| 34713.W0838 | Pad and Bolt | M10            | 100            | 60                     | 9.0            | 95.5           | 44             | 22                  | 11.5           | -    | 17  | 16                        | 318         |
| 34713.W0842 | Pad and Bolt | M10            | 150            | 60                     | 9.0            | 145.5          | 44             | 22                  | 11.5           | -    | 17  | 16                        | 341         |
| 34713.W0852 | Pad and Bolt | M12            | 100            | 65                     | 9.0            | 94.5           | 48             | 26                  | 12.5           | -    | 19  | 28                        | 423         |
| 34713.W0856 | Pad and Bolt | M12            | 150            | 65                     | 9.0            | 144.5          | 48             | 26                  | 12.5           | -    | 19  | 28                        | 459         |
| 34713.W0868 | Pad and Bolt | M16            | 100            | 70                     | 9.0            | 94.0           | 54             | 32                  | 13.5           | -    | 24  | 36                        | 615         |
| 34713.W0872 | Pad and Bolt | M16            | 200            | 70                     | 9.0            | 194.0          | 54             | 32                  | 13.5           | -    | 24  | 36                        | 746         |
| 34713.W0882 | Pad and Bolt | M20            | 100            | 80                     | 9.0            | 92.5           | 64             | 42                  | 16.5           | -    | 30  | 44                        | 1029        |
| 34713.W0888 | Pad and Bolt | M20            | 200            | 80                     | 9.0            | 192.5          | 64             | 42                  | 16.5           | -    | 30  | 44                        | 1231        |
| 34713.W0895 | Pad and Bolt | M24            | 100            | 100                    | 11.0           | 91.0           | 78             | 45                  | 20.5           | -    | 36  | 52                        | 1775        |
| 34713.W0898 | Pad and Bolt | M24            | 200            | 100                    | 11.0           | 191.0          | 78             | 45                  | 20.5           | -    | 36  | 52                        | 2075        |



LEVELLING FEET

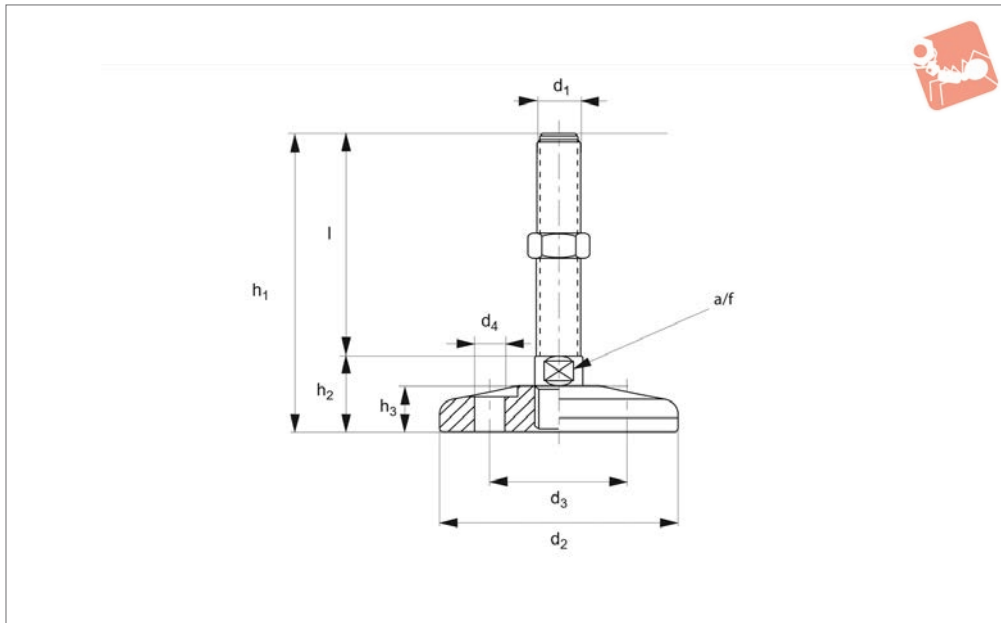




# Levelling Feet - Bolt Down

stainless steel, heavy duty

# Levelling Feet



## 34718

LEVELLING FEET

### Material

Stainless steel (AISI 304).  
Stainless steel (AISI 316) version available on request.

### Technical Notes

Load values refer to static loads, located at half the screw height.  
When vibrations or dynamic loads are

present these values should be reduced.

| Order No.   | d <sub>1</sub> | d <sub>2</sub> | d <sub>3</sub> | d <sub>4</sub> | l   | h <sub>1</sub> | h <sub>2</sub> | h <sub>3</sub> | A/F | Load kN max. |
|-------------|----------------|----------------|----------------|----------------|-----|----------------|----------------|----------------|-----|--------------|
| 34718.W1600 | M16            | 100            | 74             | 12.5           | 100 | 133            | 33             | 20             | 20  | 35           |
| 34718.W1601 | M16            | 100            | 74             | 12.5           | 150 | 183            | 33             | 20             | 20  | 35           |
| 34718.W1602 | M16            | 100            | 74             | 12.5           | 200 | 233            | 33             | 20             | 20  | 35           |
| 34718.W2000 | M20            | 100            | 74             | 12.5           | 100 | 133            | 33             | 20             | 20  | 40           |
| 34718.W2001 | M20            | 100            | 74             | 12.5           | 150 | 183            | 33             | 20             | 20  | 40           |
| 34718.W2002 | M20            | 100            | 74             | 12.5           | 200 | 233            | 33             | 20             | 20  | 40           |
| 34718.W2003 | M20            | 100            | 74             | 12.5           | 250 | 283            | 33             | 20             | 20  | 40           |
| 34718.W2400 | M24            | 100            | 74             | 12.5           | 100 | 134            | 34             | 20             | 20  | 45           |
| 34718.W2401 | M24            | 100            | 74             | 12.5           | 150 | 184            | 34             | 20             | 20  | 45           |
| 34718.W2402 | M24            | 100            | 74             | 12.5           | 200 | 234            | 34             | 20             | 20  | 45           |
| 34718.W2403 | M24            | 100            | 74             | 12.5           | 250 | 284            | 34             | 20             | 20  | 45           |
| 34718.W2004 | M20            | 120            | 74             | 12.5           | 100 | 135            | 35             | 22             | 20  | 45           |
| 34718.W2005 | M20            | 120            | 74             | 12.5           | 150 | 185            | 35             | 22             | 20  | 45           |
| 34718.W2006 | M20            | 120            | 74             | 12.5           | 200 | 235            | 35             | 22             | 20  | 45           |
| 34718.W2007 | M20            | 120            | 74             | 12.5           | 250 | 285            | 35             | 22             | 20  | 45           |
| 34718.W2404 | M24            | 120            | 74             | 12.5           | 100 | 136            | 36             | 22             | 20  | 50           |
| 34718.W2405 | M24            | 120            | 74             | 12.5           | 150 | 186            | 36             | 22             | 20  | 50           |
| 34718.W2406 | M24            | 120            | 74             | 12.5           | 200 | 231            | 36             | 22             | 20  | 50           |
| 34718.W2407 | M24            | 120            | 74             | 12.5           | 250 | 281            | 36             | 22             | 20  | 50           |
| 34718.W3000 | M30            | 120            | 74             | 12.5           | 100 | 136            | 36             | 22             | 26  | 60           |
| 34718.W3001 | M30            | 120            | 74             | 12.5           | 150 | 186            | 36             | 22             | 26  | 60           |
| 34718.W3002 | M30            | 120            | 74             | 12.5           | 200 | 236            | 36             | 22             | 26  | 60           |
| 34718.W3003 | M30            | 120            | 74             | 12.5           | 250 | 286            | 36             | 22             | 26  | 60           |
| 34718.W2008 | M20            | 159            | 74             | 12.5           | 100 | 136            | 36             | 23             | 20  | 50           |
| 34718.W2009 | M20            | 159            | 74             | 12.5           | 150 | 186            | 36             | 23             | 20  | 50           |
| 34718.W2010 | M20            | 159            | 74             | 12.5           | 200 | 236            | 36             | 23             | 20  | 50           |
| 34718.W2011 | M20            | 159            | 74             | 12.5           | 250 | 286            | 36             | 23             | 20  | 50           |
| 34718.W2408 | M24            | 159            | 74             | 12.5           | 100 | 137            | 37             | 23             | 20  | 60           |
| 34718.W2409 | M24            | 159            | 74             | 12.5           | 150 | 187            | 37             | 23             | 20  | 60           |
| 34718.W2410 | M24            | 159            | 74             | 12.5           | 200 | 237            | 37             | 23             | 20  | 60           |
| 34718.W2411 | M24            | 159            | 74             | 12.5           | 250 | 287            | 37             | 23             | 20  | 60           |
| 34718.W3004 | M30            | 159            | 74             | 12.5           | 100 | 137            | 37             | 23             | 26  | 70           |
| 34718.W3005 | M30            | 159            | 74             | 12.5           | 150 | 187            | 37             | 23             | 26  | 70           |



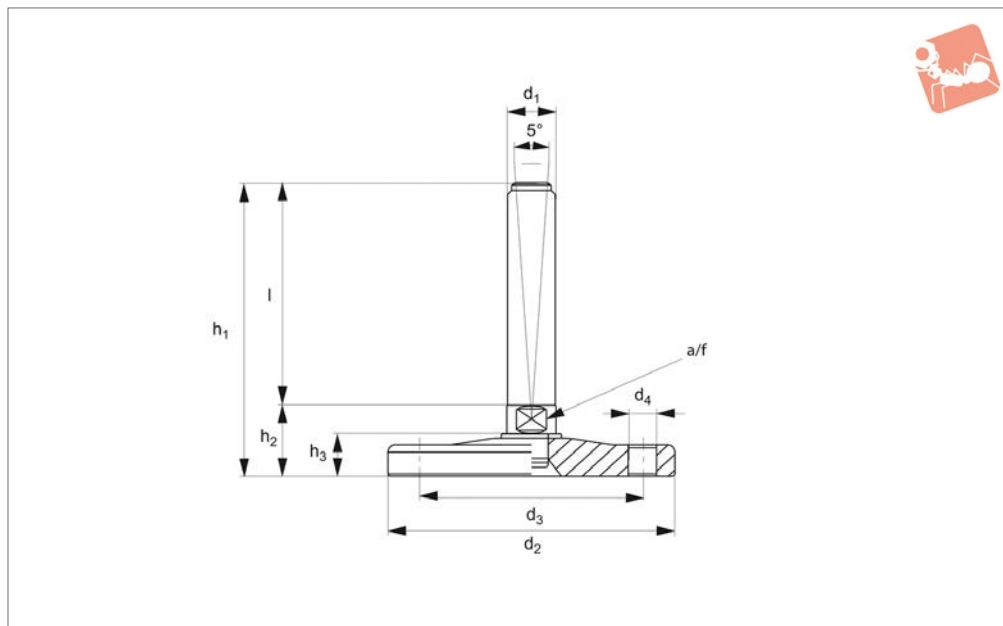
| Order No.          | d <sub>1</sub> | d <sub>2</sub> | d <sub>3</sub> | d <sub>4</sub> | l   | h <sub>1</sub> | h <sub>2</sub> | h <sub>3</sub> | A/F | Load<br>kN<br>max. |
|--------------------|----------------|----------------|----------------|----------------|-----|----------------|----------------|----------------|-----|--------------------|
| <b>34718.W3006</b> | M30            | 159            | 74             | 12.5           | 200 | 237            | 37             | 23             | 26  | 70                 |
| <b>34718.W3007</b> | M30            | 159            | 74             | 12.5           | 250 | 287            | 37             | 23             | 26  | 70                 |



# Levelling Feet - Bolt Down

stainless steel, medium load

# Levelling Feet



**34717**

LEVELLING FEET

### Material

Stainless steel (AISI 304).  
Stainless steel (AISI 316) version available on request.

### Technical Notes

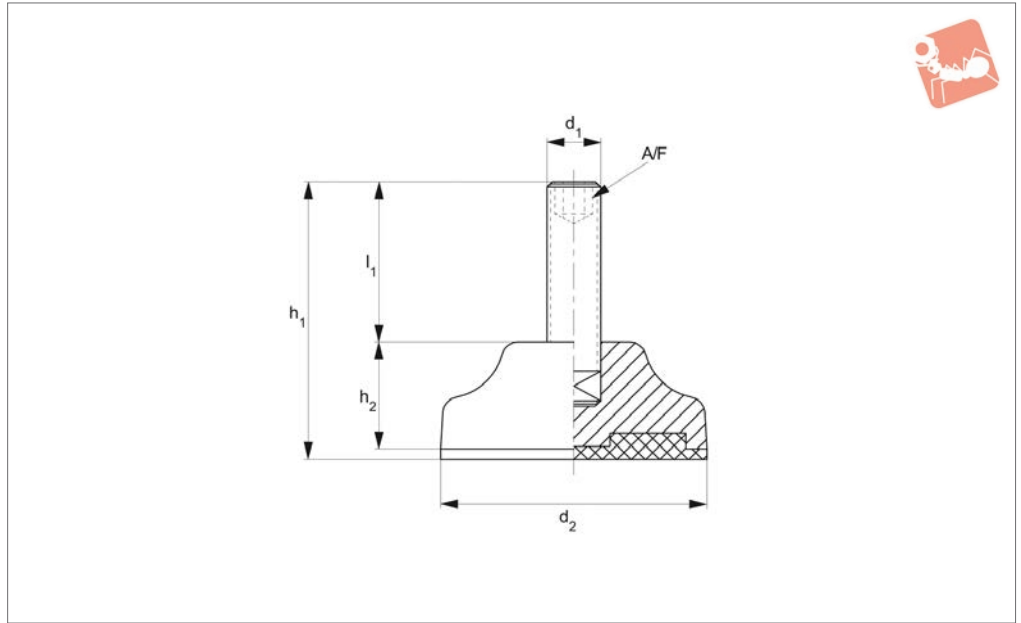
Load values refer to static loads, located at half the screw height.  
When vibrations or dynamic loads are

present these values should be reduced.

| Order No.   | d <sub>1</sub> | d <sub>2</sub> | d <sub>3</sub> | d <sub>4</sub> | l   | h <sub>1</sub> | h <sub>2</sub> | h <sub>3</sub> | A/F | Load kN max. |
|-------------|----------------|----------------|----------------|----------------|-----|----------------|----------------|----------------|-----|--------------|
| 34717.W1400 | M14            | 80             | 62             | 10.5           | 50  | 70             | 20             | 11.5           | 14  | 20           |
| 34717.W1401 | M14            | 80             | 62             | 10.5           | 100 | 120            | 20             | 11.5           | 14  | 20           |
| 34717.W1402 | M14            | 80             | 62             | 10.5           | 150 | 170            | 20             | 11.5           | 14  | 20           |
| 34717.W1600 | M16            | 120            | 62             | 12.5           | 75  | 104            | 29             | 16.5           | 17  | 40           |
| 34717.W1601 | M16            | 120            | 62             | 12.5           | 100 | 129            | 29             | 16.5           | 17  | 40           |
| 34717.W1602 | M16            | 120            | 62             | 12.5           | 150 | 179            | 29             | 16.5           | 17  | 40           |
| 34717.W2000 | M20            | 120            | 62             | 12.5           | 75  | 104            | 29             | 16.5           | 17  | 40           |
| 34717.W2001 | M20            | 120            | 62             | 12.5           | 125 | 154            | 29             | 16.5           | 17  | 40           |
| 34717.W2002 | M20            | 120            | 62             | 12.5           | 175 | 204            | 29             | 16.5           | 17  | 40           |
| 34717.W2400 | M24            | 120            | 62             | 12.5           | 100 | 130            | 30             | 16.5           | 20  | 45           |
| 34717.W2401 | M24            | 120            | 62             | 12.5           | 150 | 180            | 30             | 16.5           | 20  | 45           |
| 34717.W2402 | M24            | 120            | 62             | 12.5           | 200 | 230            | 30             | 16.5           | 20  | 45           |
| 34717.W3000 | M30            | 120            | 62             | 12.5           | 125 | 155            | 30             | 16.5           | 26  | 45           |
| 34717.W3001 | M30            | 120            | 62             | 12.5           | 175 | 205            | 30             | 16.5           | 26  | 45           |
| 34717.W3002 | M30            | 120            | 62             | 12.5           | 225 | 255            | 30             | 16.5           | 26  | 45           |
| 34717.W2003 | M20            | 150            | 62             | 12.5           | 75  | 104            | 29             | 16.5           | 17  | 50           |
| 34717.W2004 | M20            | 150            | 62             | 12.5           | 125 | 154            | 29             | 16.5           | 17  | 50           |
| 34717.W2005 | M20            | 150            | 62             | 12.5           | 175 | 204            | 29             | 16.5           | 17  | 50           |
| 34717.W2403 | M24            | 150            | 62             | 12.5           | 100 | 130            | 30             | 16.5           | 20  | 55           |
| 34717.W2404 | M24            | 150            | 62             | 12.5           | 150 | 180            | 30             | 16.5           | 20  | 55           |
| 34717.W2405 | M24            | 150            | 62             | 12.5           | 200 | 230            | 30             | 16.5           | 20  | 55           |



**34611**



LEVELLING FEET

**Material**

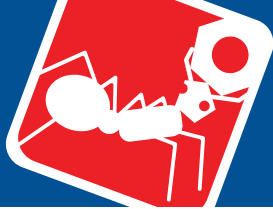
Pad: polyamide reinforced by fibre glass with anti-slip pad.  
Bolt: steel (C40)

**Technical Notes**

Load values refer to static loads, located at half the screw height.  
When vibrations or dynamic loads are

present these values should be reduced.

| Order No.   | d <sub>1</sub> | d <sub>2</sub> | l  | h <sub>1</sub> | h <sub>2</sub> | A/F | Load kN max. |
|-------------|----------------|----------------|----|----------------|----------------|-----|--------------|
| 34611.W0800 | M 8            | 40             | 25 | 44             | 19             | 4   | 5            |
| 34611.W0801 | M 8            | 40             | 50 | 69             | 19             | 4   | 5            |
| 34611.W0802 | M 8            | 50             | 25 | 48             | 23             | 4   | 6            |
| 34611.W0803 | M 8            | 50             | 50 | 73             | 23             | 4   | 6            |
| 34611.W1000 | M10            | 40             | 25 | 44             | 19             | 5   | 5            |
| 34611.W1001 | M10            | 40             | 50 | 69             | 19             | 5   | 5            |
| 34611.W1002 | M10            | 50             | 25 | 48             | 23             | 5   | 6            |
| 34611.W1003 | M10            | 50             | 50 | 73             | 23             | 5   | 6            |

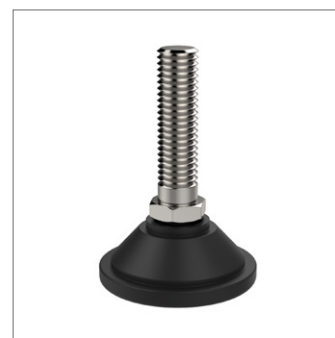
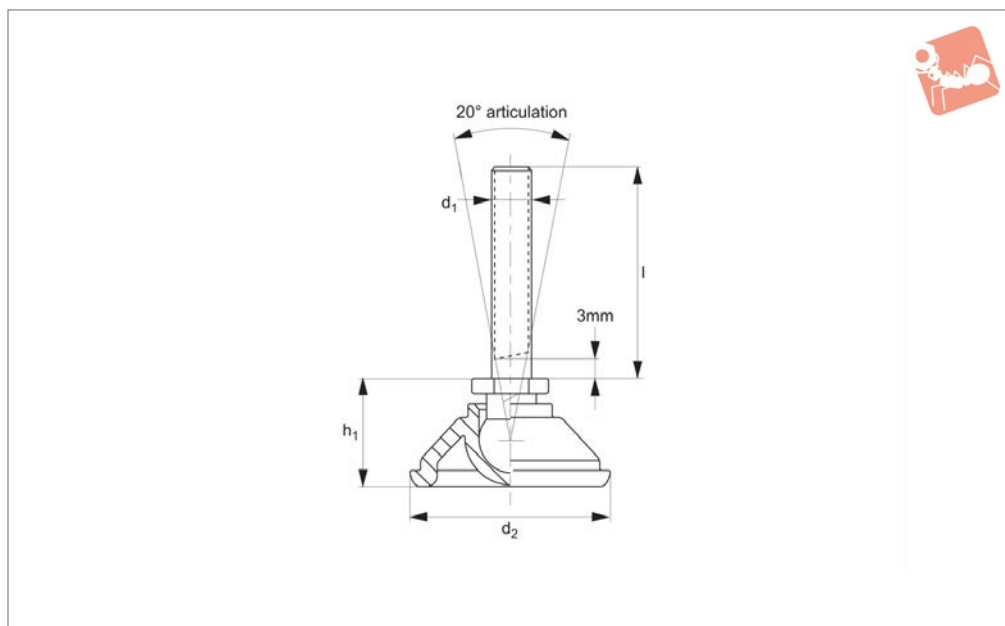


# Levelling Feet

pad plastic, bolt steel



# Levelling Feet



**34721**

LEVELLING FEET

### Material

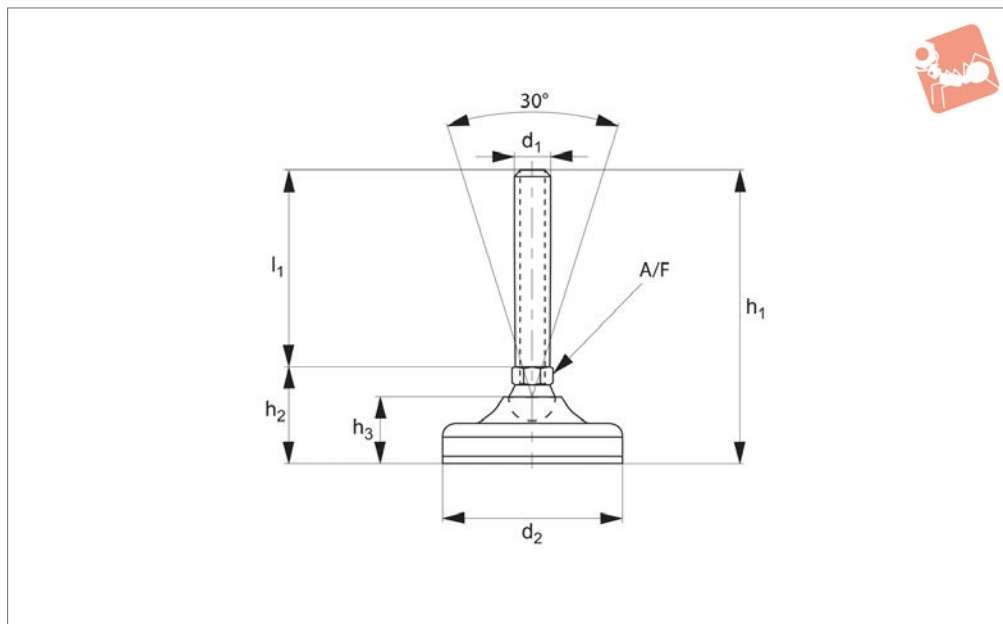
Pad: polyamide reinforced nylon.

Bolt: mild steel, plated.

| Order No.   | d <sub>1</sub> | d <sub>2</sub> | l   | h <sub>1</sub> | Static load<br>kN<br>max. |
|-------------|----------------|----------------|-----|----------------|---------------------------|
| 34721.W0060 | M 6            | 40             | 20  | 21             | 3.0                       |
| 34721.W0061 | M 6            | 50             | 20  | 23             | 3.0                       |
| 34721.W0062 | M 6            | 40             | 40  | 21             | 3.0                       |
| 34721.W0063 | M 6            | 50             | 40  | 23             | 3.0                       |
| 34721.W0080 | M 8            | 40             | 25  | 21             | 4.5                       |
| 34721.W0081 | M 8            | 50             | 25  | 23             | 4.5                       |
| 34721.W0082 | M 8            | 40             | 40  | 21             | 4.5                       |
| 34721.W0083 | M 8            | 50             | 40  | 23             | 4.5                       |
| 34721.W0084 | M 8            | 40             | 60  | 21             | 4.5                       |
| 34721.W0085 | M 8            | 50             | 60  | 23             | 4.5                       |
| 34721.W0100 | M10            | 40             | 38  | 21             | 5.0                       |
| 34721.W0101 | M10            | 50             | 38  | 23             | 5.0                       |
| 34721.W0102 | M10            | 40             | 60  | 21             | 5.0                       |
| 34721.W0103 | M10            | 50             | 60  | 23             | 5.0                       |
| 34721.W0104 | M10            | 40             | 75  | 21             | 5.0                       |
| 34721.W0105 | M10            | 50             | 75  | 23             | 5.0                       |
| 34721.W0120 | M12            | 40             | 50  | 23             | 6.0                       |
| 34721.W0121 | M12            | 50             | 50  | 25             | 6.0                       |
| 34721.W0122 | M12            | 40             | 75  | 23             | 6.0                       |
| 34721.W0123 | M12            | 50             | 75  | 25             | 6.0                       |
| 34721.W0124 | M12            | 40             | 100 | 23             | 6.0                       |
| 34721.W0125 | M12            | 50             | 100 | 25             | 6.0                       |
| 34721.W0126 | M12            | 40             | 125 | 23             | 6.0                       |
| 34721.W0127 | M12            | 50             | 125 | 25             | 6.0                       |



## 34723



### Material

Pad: polyamide reinforced by fibre glass with anti-slip pad.  
Bolt: galvanized steel (C40)

### Technical Notes

Load values refer to static loads, located at half the screw height.  
When vibrations or dynamic loads are

present these values should be reduced.

| Order No.   | d <sub>1</sub> | d <sub>2</sub> | h <sub>1</sub> | h <sub>2</sub> | h <sub>3</sub> | l <sub>1</sub> | A/F | Load kN max. |
|-------------|----------------|----------------|----------------|----------------|----------------|----------------|-----|--------------|
| 34723.W0801 | M 8            | 40             | 55             | 30             | 19.5           | 25             | 12  | 10           |
| 34723.W0802 | M 8            | 40             | 80             | 30             | 19.5           | 50             | 12  | 10           |
| 34723.W0803 | M 8            | 40             | 105            | 30             | 19.5           | 75             | 12  | 10           |
| 34723.W0804 | M 8            | 40             | 130            | 30             | 19.5           | 100            | 12  | 10           |
| 34723.W1000 | M10            | 65             | 86             | 36             | 26.0           | 50             | 14  | 11           |
| 34723.W1001 | M10            | 65             | 111            | 36             | 26.0           | 75             | 14  | 11           |
| 34723.W1002 | M10            | 65             | 136            | 36             | 26.0           | 100            | 14  | 11           |
| 34723.W1003 | M10            | 65             | 161            | 36             | 26.0           | 125            | 14  | 11           |
| 34723.W1200 | M12            | 65             | 86             | 36             | 26.0           | 50             | 14  | 11           |
| 34723.W1201 | M12            | 65             | 111            | 36             | 26.0           | 75             | 14  | 11           |
| 34723.W1202 | M12            | 65             | 136            | 36             | 26.0           | 100            | 14  | 11           |
| 34723.W1203 | M12            | 65             | 161            | 36             | 26.0           | 125            | 14  | 11           |
| 34723.W1400 | M14            | 65             | 86             | 36             | 26.0           | 50             | 14  | 15           |
| 34723.W1401 | M14            | 65             | 111            | 36             | 26.0           | 75             | 14  | 15           |
| 34723.W1402 | M14            | 65             | 136            | 36             | 26.0           | 100            | 14  | 15           |
| 34723.W1403 | M14            | 65             | 161            | 36             | 26.0           | 125            | 14  | 15           |
| 34723.W1404 | M14            | 65             | 186            | 36             | 26.0           | 150            | 14  | 15           |
| 34723.W1405 | M14            | 65             | 211            | 36             | 26.0           | 175            | 14  | 15           |
| 34723.W1600 | M16            | 65             | 86             | 36             | 26.0           | 50             | 16  | 15           |
| 34723.W1601 | M16            | 65             | 111            | 36             | 26.0           | 75             | 16  | 15           |
| 34723.W1602 | M16            | 65             | 136            | 36             | 26.0           | 100            | 16  | 15           |
| 34723.W1603 | M16            | 65             | 161            | 36             | 26.0           | 125            | 16  | 15           |
| 34723.W1604 | M16            | 65             | 186            | 36             | 26.0           | 150            | 16@ | 15           |
| 34723.W1605 | M16            | 65             | 211            | 36             | 26.0           | 175            | 16@ | 15           |
| 34723.W1606 | M16            | 65             | 236            | 36             | 26.0           | 200            | 16@ | 15           |
| 34723.W2000 | M20            | 65             | 115            | 40             | 26.0           | 75             | 17  | 15           |
| 34723.W2001 | M20            | 65             | 140            | 40             | 26.0           | 100            | 17  | 15           |
| 34723.W2002 | M20            | 65             | 165            | 40             | 26.0           | 125            | 17  | 15           |
| 34723.W2003 | M20            | 65             | 190            | 40             | 26.0           | 150            | 17  | 15           |
| 34723.W2004 | M20            | 65             | 215            | 40             | 26.0           | 175            | 17  | 15           |
| 34723.W2005 | M20            | 65             | 240            | 40             | 26.0           | 200            | 17  | 15           |

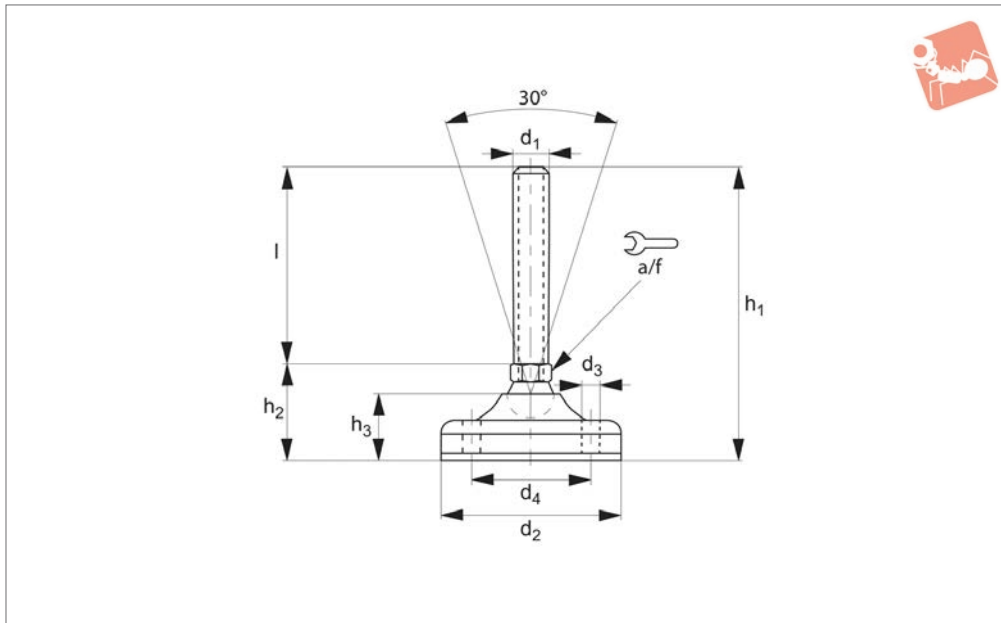




# Levelling Feet - Heavy Duty

bolt down option, bolt steel

## Levelling Feet



**34726**

LEVELLING FEET

### Material

Pad: polyamide reinforced by fibre glass with anti-slip pad.  
Bolt: steel (C40)

### Technical Notes

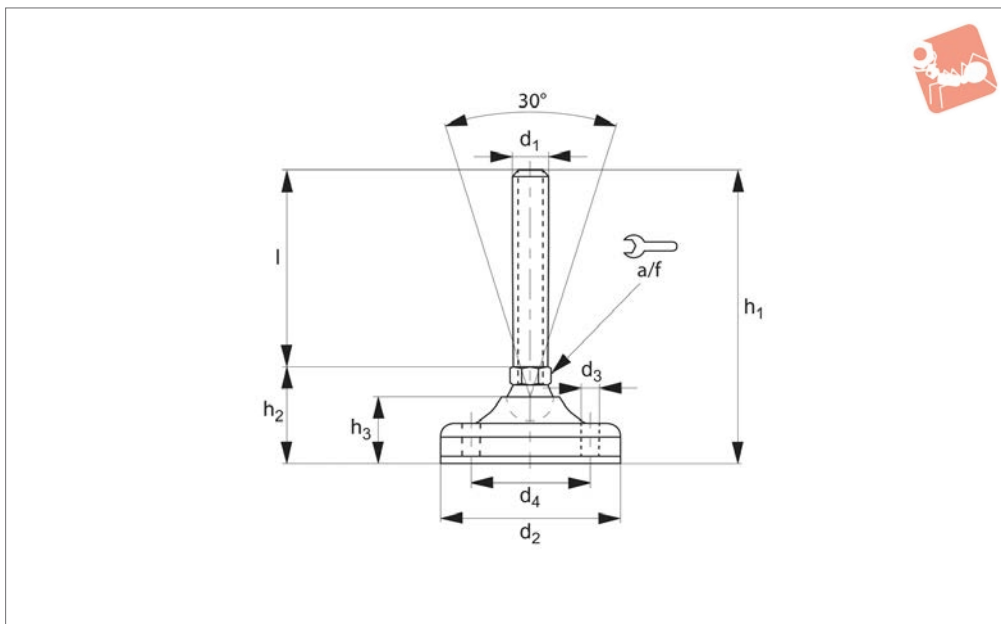
Load values refer to static loads, located at half the screw height.  
When vibrations or dynamic loads are

present these values should be reduced.

| Order No.   | d <sub>1</sub> | d <sub>2</sub> | d <sub>3</sub> | d <sub>4</sub> | l   | h <sub>1</sub> | h <sub>2</sub> | h <sub>3</sub> | A/F | Load kN max. |
|-------------|----------------|----------------|----------------|----------------|-----|----------------|----------------|----------------|-----|--------------|
| 34726.W1600 | M16            | 123            | 12.5           | 73             | 50  | 110            | 60             | 40             | 20  | 35           |
| 34726.W1601 | M16            | 123            | 12.5           | 73             | 75  | 135            | 60             | 40@            | 20  | 35           |
| 34726.W1602 | M16            | 123            | 12.5           | 73             | 100 | 160            | 60             | 40@            | 20  | 35           |
| 34726.W1603 | M16            | 123            | 12.5           | 73             | 125 | 185            | 60             | 40@            | 20  | 35           |
| 34726.W1604 | M16            | 123            | 12.5           | 73             | 150 | 210            | 60             | 40             | 20  | 35           |
| 34726.W1605 | M16            | 123            | 12.5           | 73             | 175 | 235            | 60             | 40             | 20  | 35           |
| 34726.W1606 | M16            | 123            | 12.5           | 73             | 200 | 260            | 60             | 40             | 20  | 35           |
| 34726.W1607 | M16            | 123            | 12.5           | 73             | 225 | 288            | 60             | 40             | 20  | 35           |
| 34726.W2000 | M20            | 123            | 12.5           | 73             | 75  | 135            | 60             | 40             | 20  | 35           |
| 34726.W2001 | M20            | 123            | 12.5           | 73             | 100 | 160            | 60             | 40             | 20  | 35           |
| 34726.W2002 | M20            | 123            | 12.5           | 73             | 125 | 185            | 60             | 40             | 20  | 35           |
| 34726.W2003 | M20            | 123            | 12.5           | 73             | 150 | 210            | 60             | 40             | 20  | 35           |
| 34726.W2004 | M20            | 123            | 12.5           | 73             | 175 | 235            | 60             | 40             | 20  | 35           |
| 34726.W2005 | M20            | 123            | 12.5           | 73             | 200 | 260            | 60             | 40             | 20  | 35           |
| 34726.W2006 | M20            | 123            | 12.5           | 73             | 225 | 285            | 60             | 40             | 20  | 35           |
| 34726.W2007 | M20            | 123            | 12.5           | 73             | 250 | 310            | 60             | 40             | 20  | 35           |
| 34726.W2400 | M24            | 123            | 12.5           | 73             | 75  | 135            | 60             | 40             | 20  | 35           |
| 34726.W2401 | M24            | 123            | 12.5           | 73             | 100 | 160            | 60             | 40             | 20  | 35           |
| 34726.W2402 | M24            | 123            | 12.5           | 73             | 125 | 185            | 60             | 40             | 20  | 35           |
| 34726.W2403 | M24            | 123            | 12.5           | 73             | 150 | 210            | 60             | 40             | 20  | 35           |
| 34726.W2404 | M24            | 123            | 12.5           | 73             | 175 | 235            | 60             | 40             | 20  | 35           |
| 34726.W2405 | M24            | 123            | 12.5           | 73             | 200 | 260            | 60             | 40             | 20  | 35           |
| 34726.W2406 | M24            | 123            | 12.5           | 73             | 225 | 285            | 60             | 40             | 20  | 35           |
| 34726.W2407 | M24            | 123            | 12.5           | 73             | 250 | 310            | 60             | 40             | 20  | 35           |
| 34726.W3000 | M30            | 123            | 12.5           | 73             | 100 | 161            | 60             | 40             | 20  | 35           |
| 34726.W3001 | M30            | 123            | 12.5           | 73             | 125 | 186            | 60             | 40             | 20  | 35           |
| 34726.W3002 | M30            | 123            | 12.5           | 73             | 150 | 211            | 60             | 40             | 20  | 35           |
| 34726.W3003 | M30            | 123            | 12.5           | 73             | 175 | 236            | 60             | 40             | 20  | 35           |
| 34726.W3004 | M30            | 123            | 12.5           | 73             | 200 | 261            | 60             | 40             | 20  | 35           |
| 34726.W3005 | M30            | 123            | 12.5           | 73             | 225 | 286            | 60             | 40             | 20  | 35           |
| 34726.W3006 | M30            | 123            | 12.5           | 73             | 250 | 311            | 60             | 40             | 20  | 35           |



## 34724



### Material

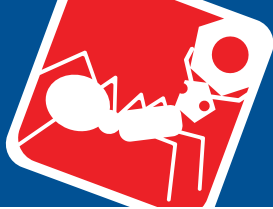
Pad: polyamide reinforced by fibre glass with anti-slip pad.  
Bolt: steel (C40)

### Technical Notes

Load values refer to static loads, located at half the screw height.  
When vibrations or dynamic loads are

present these values should be reduced.

| Order No.   | d <sub>1</sub> | d <sub>2</sub> | d <sub>3</sub> | d <sub>4</sub> | l   | h <sub>1</sub> | h <sub>2</sub> | h <sub>3</sub> | A/F | Load kN max. |
|-------------|----------------|----------------|----------------|----------------|-----|----------------|----------------|----------------|-----|--------------|
| 34724.W1000 | M10            | 83             | 8.5            | 55             | 50  | 91             | 41             | 30             | 14  | 15           |
| 34724.W1001 | M10            | 83             | 8.5            | 55             | 75  | 116            | 41             | 30             | 14  | 15           |
| 34724.W1002 | M10            | 83             | 8.5            | 55             | 100 | 141            | 41             | 30             | 14  | 15           |
| 34724.W1003 | M10            | 83             | 8.5            | 55             | 125 | 166            | 41             | 30             | 14  | 15           |
| 34724.W1200 | M12            | 83             | 8.5            | 55             | 50  | 91             | 41             | 30             | 14  | 15           |
| 34724.W1201 | M12            | 83             | 8.5            | 55             | 75  | 116            | 41             | 30             | 14  | 15           |
| 34724.W1202 | M12            | 83             | 8.5            | 55             | 100 | 141            | 41             | 30             | 14  | 15           |
| 34724.W1203 | M12            | 83             | 8.5            | 55             | 125 | 161            | 41             | 30             | 14  | 15           |
| 34724.W1400 | M14            | 83             | 8.5            | 55             | 50  | 91             | 41             | 30             | 14  | 20           |
| 34724.W1401 | M14            | 83             | 8.5            | 55             | 75  | 116            | 41             | 30             | 14  | 20           |
| 34724.W1402 | M14            | 83             | 8.5            | 55             | 100 | 141            | 41             | 30             | 14  | 20           |
| 34724.W1403 | M14            | 83             | 8.5            | 55             | 125 | 166            | 41             | 30             | 14  | 20           |
| 34724.W1404 | M14            | 83             | 8.5            | 55             | 150 | 191            | 41             | 30             | 14  | 20           |
| 34724.W1405 | M14            | 83             | 8.5            | 55             | 175 | 216            | 41             | 30             | 14  | 20           |
| 34724.W1600 | M16            | 83             | 8.5            | 55             | 50  | 91             | 41             | 30             | 16  | 20           |
| 34724.W1601 | M16            | 83             | 8.5            | 55             | 75  | 116            | 41             | 30             | 16  | 20           |
| 34724.W1602 | M16            | 83             | 8.5            | 55             | 100 | 141            | 41             | 30             | 16  | 20           |
| 34724.W1603 | M16            | 83             | 8.5            | 55             | 125 | 166            | 41             | 30             | 16  | 20           |
| 34724.W1604 | M16            | 83             | 8.5            | 55             | 150 | 191            | 41             | 30             | 16  | 20           |
| 34724.W1605 | M16            | 83             | 8.5            | 55             | 175 | 216            | 41             | 30             | 16  | 20           |
| 34724.W1606 | M16            | 83             | 8.5            | 55             | 200 | 241            | 41             | 30             | 16  | 20           |
| 34724.W1607 | M16            | 103            | 12.5           | 73             | 50  | 104            | 54             | 35@            | 20  | 25           |
| 34724.W1608 | M16            | 103            | 12.5           | 73             | 75  | 129            | 54             | 35@            | 20  | 25           |
| 34724.W1609 | M16            | 103            | 12.5           | 73             | 100 | 154            | 54             | 35@            | 20  | 25           |
| 34724.W1700 | M16            | 103            | 12.5           | 73             | 125 | 179            | 54             | 35@            | 20  | 25           |
| 34724.W1701 | M16            | 103            | 12.5           | 73             | 150 | 204            | 54             | 35@            | 20  | 25           |
| 34724.W1702 | M16            | 103            | 12.5           | 73             | 175 | 229            | 54             | 35             | 20  | 25           |
| 34724.W1703 | M16            | 103            | 12.5           | 73             | 200 | 254            | 54             | 35@            | 20  | 25           |
| 34724.W1704 | M16            | 103            | 12.5           | 73             | 225 | 279            | 54             | 35@            | 20  | 25           |
| 34724.W2000 | M20            | 83             | 8.5            | 55             | 75  | 119            | 44             | 30@            | 17  | 20           |
| 34724.W2001 | M20            | 83             | 8.5            | 55             | 100 | 144            | 44             | 30             | 17  | 20           |
| 34724.W2002 | M20            | 83             | 8.5            | 55             | 125 | 169            | 44             | 30             | 17  | 20           |
| 34724.W2003 | M20            | 83             | 8.5            | 55             | 150 | 194            | 44             | 30             | 17  | 20           |



# Levelling Feet

plastic pad, bolt steel



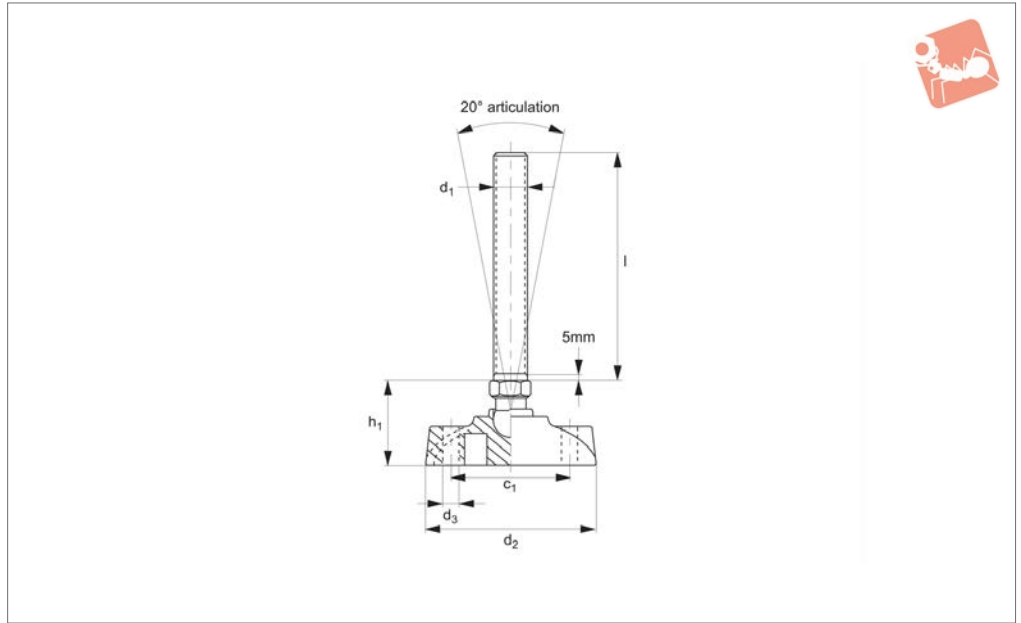
# Levelling Feet

| Order No.   | d <sub>1</sub> | d <sub>2</sub> | d <sub>3</sub> | d <sub>4</sub> | l   | h <sub>1</sub> | h <sub>2</sub> | h <sub>3</sub> | A/F | Load<br>kN<br>max. |
|-------------|----------------|----------------|----------------|----------------|-----|----------------|----------------|----------------|-----|--------------------|
| 34724.W2004 | M20            | 83             | 8.5            | 55             | 175 | 219            | 44             | 30             | 17  | 20                 |
| 34724.W2005 | M20            | 83             | 8.5            | 55             | 200 | 244            | 44             | 30             | 17  | 20                 |
| 34724.W2006 | M20            | 83             | 8.5            | 55             | 225 | 269            | 44             | 30             | 17  | 20                 |
| 34724.W2007 | M20            | 103            | 12.5           | 73             | 75  | 129            | 54             | 35             | 20  | 25                 |
| 34724.W2008 | M20            | 103            | 12.5           | 73             | 100 | 154            | 54             | 35             | 20  | 25                 |
| 34724.W2009 | M20            | 103            | 12.5           | 73             | 125 | 179            | 54             | 35             | 20  | 25                 |
| 34724.W2010 | M20            | 103            | 12.5           | 73             | 150 | 204            | 54             | 35             | 20  | 25                 |
| 34724.W2011 | M20            | 103            | 12.5           | 73             | 175 | 229            | 54             | 35             | 20  | 25                 |
| 34724.W2012 | M20            | 103            | 12.5           | 73             | 200 | 254            | 54             | 35             | 20  | 25                 |
| 34724.W2013 | M20            | 103            | 12.5           | 73             | 225 | 279            | 54             | 35             | 20  | 25                 |
| 34724.W2014 | M20            | 103            | 12.5           | 73             | 250 | 304            | 54             | 35             | 20  | 25                 |
| 34724.W2400 | M24            | 103            | 12.5           | 73             | 75  | 129            | 54             | 35             | 20  | 25                 |
| 34724.W2401 | M24            | 103            | 12.5           | 73             | 100 | 154            | 54             | 35             | 20  | 25                 |
| 34724.W2402 | M24            | 103            | 12.5           | 73             | 125 | 179            | 54             | 35             | 20  | 25                 |
| 34724.W2403 | M24            | 103            | 12.5           | 73             | 150 | 204            | 54             | 35             | 20  | 25                 |
| 34724.W2404 | M24            | 103            | 12.5           | 73             | 175 | 229            | 54             | 35             | 20  | 25                 |
| 34724.W2405 | M24            | 103            | 12.5           | 73             | 200 | 254            | 54             | 35             | 20  | 25                 |
| 34724.W2406 | M24            | 103            | 12.5           | 73             | 225 | 279            | 54             | 35             | 20  | 25                 |
| 34724.W2407 | M24            | 103            | 12.5           | 73             | 250 | 304            | 54             | 35             | 20  | 25                 |

LEVELLING FEET



**34722**



**Material**

Pad: polyamide reinforced nylon.  
 Bolt: mild steel, electrolyses nickel plated.

**Technical Notes**

Supplied with plastic mounting hole plugs, these prevent material and waste entering

the mounting holes, thus simplifying cleaning and maintenance.

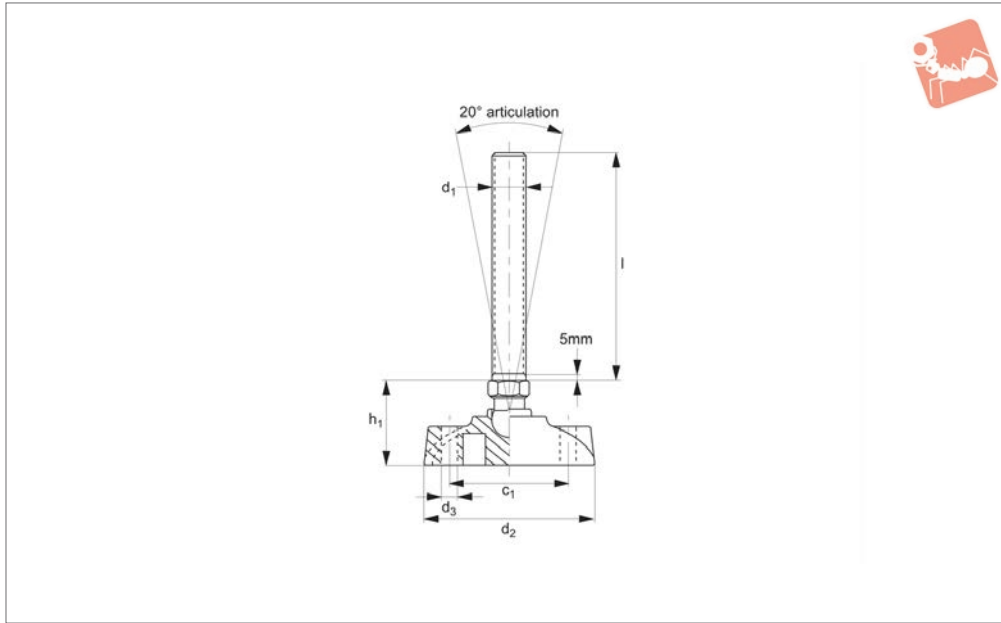
| Order No.   | d <sub>2</sub> | d <sub>3</sub> | l   | c <sub>1</sub> | h <sub>1</sub> | Static load<br>kN<br>max. | Thread size d <sub>1</sub> |
|-------------|----------------|----------------|-----|----------------|----------------|---------------------------|----------------------------|
| 34722.W0620 | 100            | 10.5           | 75  | 70             | 42             | 10                        | M12                        |
| 34722.W0621 | 100            | 10.5           | 125 | 70             | 42             | 10                        | M12                        |
| 34722.W0661 | 100            | 10.5           | 125 | 70             | 45             | 20                        | M16                        |
| 34722.W0662 | 100            | 10.5           | 150 | 70             | 45             | 20                        | M16                        |
| 34722.W0663 | 100            | 10.5           | 200 | 70             | 45             | 20                        | M16                        |
| 34722.W0700 | 100            | 10.5           | 125 | 70             | 49             | 20                        | M20                        |
| 34722.W0701 | 100            | 10.5           | 150 | 70             | 49             | 20                        | M20                        |
| 34722.W0720 | 100            | 10.5           | 125 | 70             | 53             | 20                        | M24                        |
| 34722.W0721 | 100            | 10.5           | 150 | 70             | 53             | 20                        | M24                        |
| 34722.W0722 | 100            | 10.5           | 200 | 70             | 53             | 20                        | M24                        |
| 34722.W0723 | 100            | 10.5           | 250 | 70             | 53             | 20                        | M24                        |



# Levelling Feet - Bolt Down

pad plastic, bolt stainless steel

# Levelling Feet



**34742**

LEVELLING FEET

### Material

Pad: polyamide reinforced nylon.  
Bolt: stainless steel AISI 303.

### Technical Notes

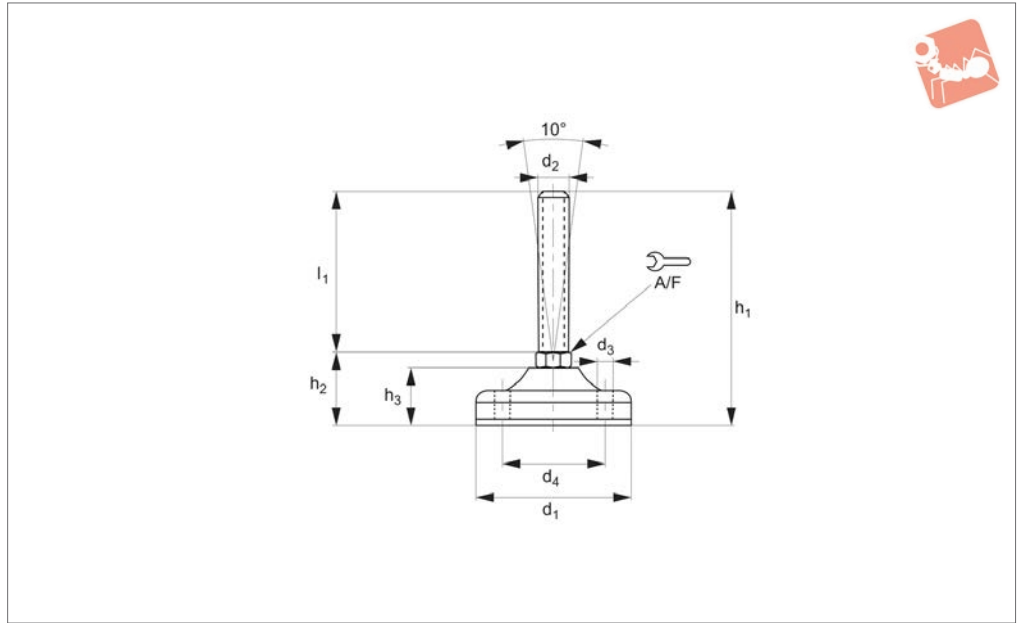
Supplied with plastic mounting hole plugs, these prevent material and waste entering

the mounting holes, thus simplifying cleaning and maintenance.

| Order No.   | $d_1$ | $d_2$ | $d_3$ | $l$ | $c_1$ | $h_1$ | Static load<br>kN<br>max. |
|-------------|-------|-------|-------|-----|-------|-------|---------------------------|
| 34742.W0620 | M12   | 100   | 10.5  | 75  | 70    | 42    | 10                        |
| 34742.W0621 | M12   | 100   | 10.5  | 125 | 70    | 42    | 10                        |
| 34742.W0660 | M16   | 100   | 10.5  | 75  | 70    | 45    | 20                        |
| 34742.W0662 | M16   | 100   | 10.5  | 150 | 70    | 45    | 20                        |
| 34742.W0663 | M16   | 100   | 10.5  | 200 | 70    | 45    | 20                        |
| 34742.W0700 | M20   | 100   | 10.5  | 125 | 70    | 49    | 20                        |
| 34742.W0701 | M20   | 100   | 10.5  | 150 | 70    | 49    | 20                        |
| 34742.W0702 | M20   | 100   | 10.5  | 200 | 70    | 49    | 20                        |
| 34742.W0720 | M24   | 100   | 10.5  | 125 | 70    | 53    | 20                        |
| 34742.W0721 | M24   | 100   | 10.5  | 150 | 70    | 53    | 20                        |
| 34742.W0722 | M24   | 100   | 10.5  | 200 | 70    | 53    | 20                        |



**34753**



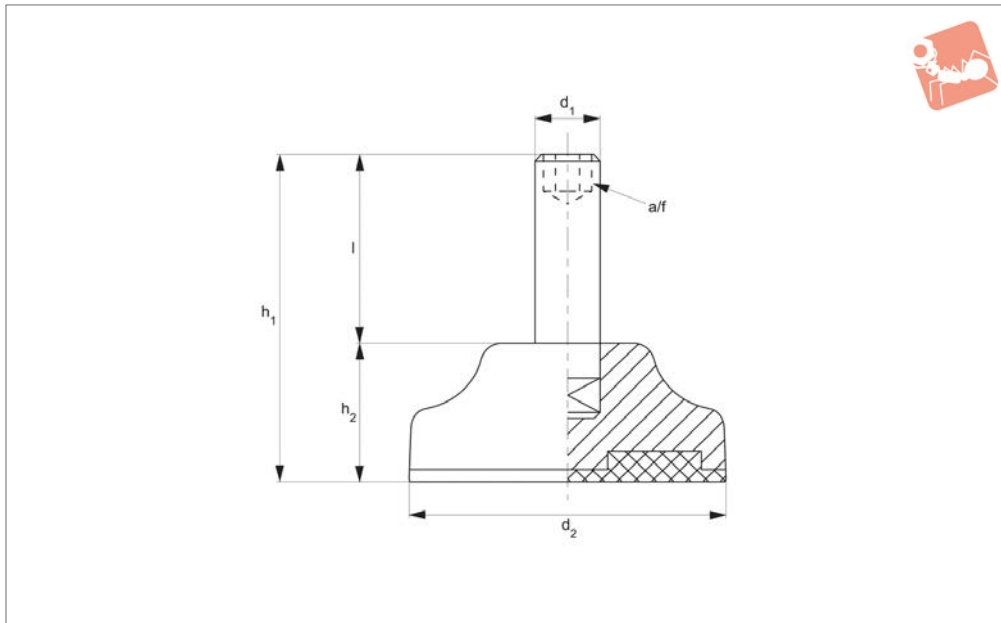
### Material

Black plastic base (reinforced with fibre glass), with steel (C40) stud.

### Technical Notes

Load values refer to static loads, located at half the screw height.

| Order No.   | d <sub>1</sub> | d <sub>2</sub> | d <sub>3</sub> | d <sub>4</sub> | l   | h <sub>1</sub> | h <sub>2</sub> | h <sub>3</sub> | A/F |
|-------------|----------------|----------------|----------------|----------------|-----|----------------|----------------|----------------|-----|
| 34753.W1601 | 83             | M16            | 8.5            | 56             | 75  | 114            | 39             | 31             | 16  |
| 34753.W3006 | 123            | M30            | 12.5           | 87             | 250 | 303            | 53             | 40             | 26  |



**34612**

LEVELLING FEET

**Material**

Pad: polyamide reinforced by fibre glass with anti-slip pad.  
Bolt: stainless steel AISI 304.

**Technical Notes**

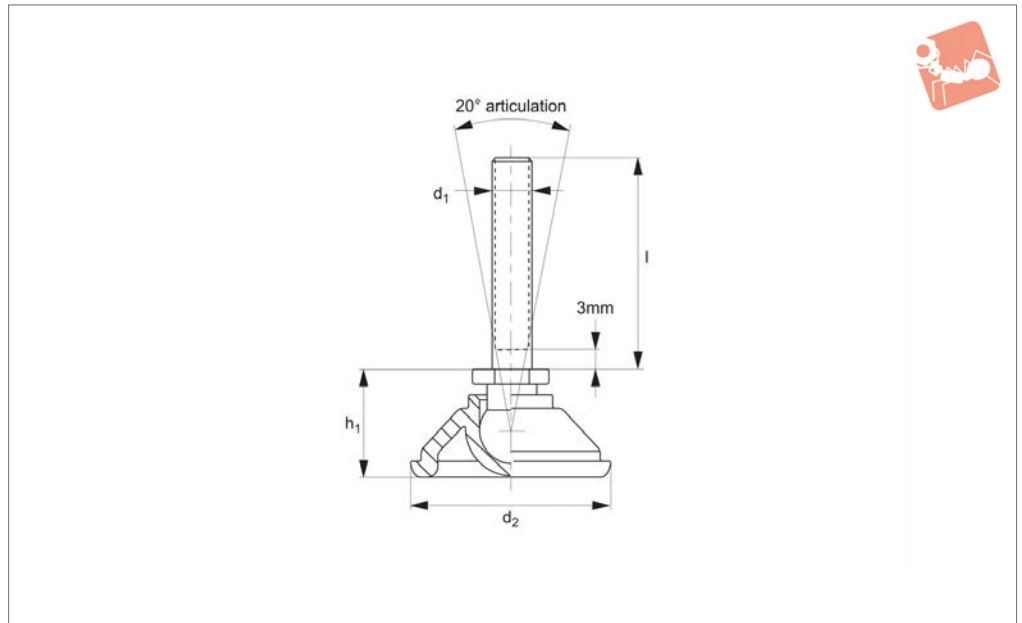
Load values refer to static loads, located at half the screw height.  
When vibrations or dynamic loads are

present these values should be reduced.

| Order No.   | d <sub>1</sub> | d <sub>2</sub> | l  | h <sub>1</sub> | h <sub>2</sub> | A/F | Load kN max. |
|-------------|----------------|----------------|----|----------------|----------------|-----|--------------|
| 34612.W0800 | M 8            | 40             | 25 | 44             | 19             | 4   | 5            |
| 34612.W0801 | M 8            | 40             | 50 | 69             | 19             | 4   | 5            |
| 34612.W0802 | M 8            | 50             | 25 | 48             | 23             | 4   | 6            |
| 34612.W0803 | M 8            | 50             | 50 | 73             | 23             | 4   | 6            |
| 34612.W1000 | M10            | 40             | 25 | 44             | 19             | 5   | 5            |
| 34612.W1001 | M10            | 40             | 50 | 69             | 19             | 5   | 5            |
| 34612.W1002 | M10            | 50             | 25 | 48             | 23             | 5   | 6            |
| 34612.W1003 | M10            | 50             | 50 | 73             | 23             | 5   | 6            |



## 34741



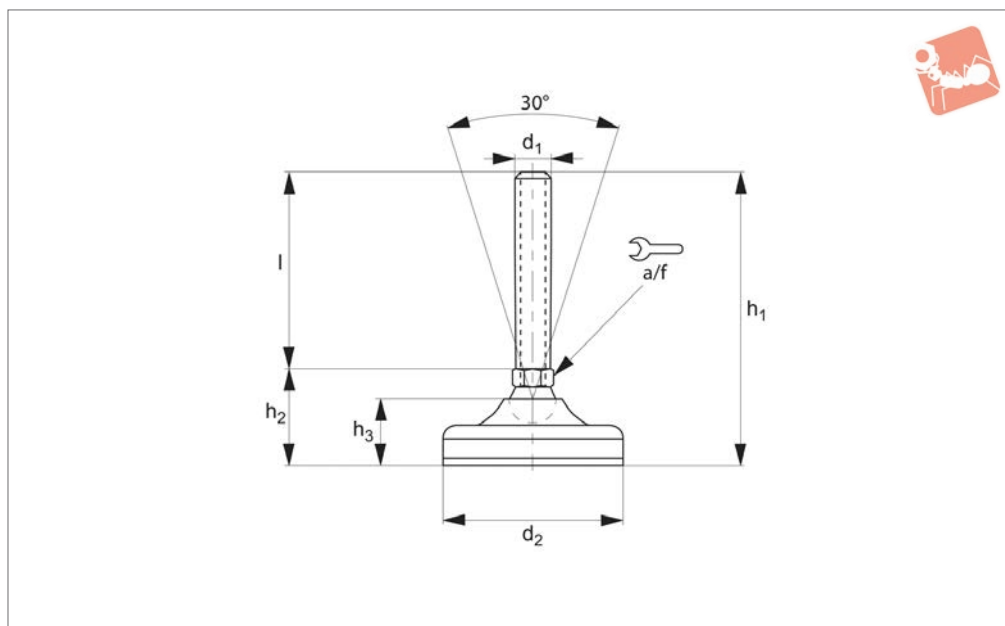
### Material

Pad: polyamide reinforced nylon.

Bolt: stainless steel, AISI 303.

| Order No.   | d <sub>1</sub> | d <sub>2</sub> | l   | h <sub>1</sub> | Static load<br>kN<br>max. |
|-------------|----------------|----------------|-----|----------------|---------------------------|
| 34741.W0060 | M 6            | 40             | 20  | 21             | 3.0                       |
| 34741.W0061 | M 6            | 50             | 20  | 23             | 3.0                       |
| 34741.W0062 | M 6            | 40             | 40  | 21             | 3.0                       |
| 34741.W0063 | M 6            | 50             | 40  | 23             | 3.0                       |
| 34741.W0080 | M 8            | 40             | 25  | 21             | 4.5                       |
| 34741.W0081 | M 8            | 50             | 25  | 23             | 4.5                       |
| 34741.W0082 | M 8            | 40             | 40  | 21             | 4.5                       |
| 34741.W0083 | M 8            | 50             | 40  | 23             | 4.5                       |
| 34741.W0084 | M 8            | 40             | 60  | 21             | 4.5                       |
| 34741.W0085 | M 8            | 50             | 60  | 23             | 4.5                       |
| 34741.W0100 | M10            | 40             | 38  | 21             | 5.0                       |
| 34741.W0101 | M10            | 50             | 38  | 23             | 5.0                       |
| 34741.W0102 | M10            | 40             | 60  | 21             | 5.0                       |
| 34741.W0103 | M10            | 50             | 60  | 23             | 5.0                       |
| 34741.W0104 | M10            | 40             | 75  | 21             | 5.0                       |
| 34741.W0105 | M10            | 50             | 75  | 23             | 5.0                       |
| 34741.W0120 | M12            | 40             | 50  | 23             | 6.0                       |
| 34741.W0121 | M12            | 50             | 50  | 25             | 6.0                       |
| 34741.W0122 | M12            | 40             | 75  | 23             | 6.0                       |
| 34741.W0123 | M12            | 50             | 75  | 25             | 6.0                       |
| 34741.W0124 | M12            | 40             | 100 | 23             | 6.0                       |
| 34741.W0125 | M12            | 50             | 100 | 25             | 6.0                       |
| 34741.W0126 | M12            | 40             | 125 | 23             | 6.0                       |
| 34741.W0127 | M12            | 50             | 125 | 25             | 6.0                       |
| 34741.W0128 | M12            | 50             | 160 | 25             | 6.0                       |





## 34743

LEVELLING FEET

### Material

Pad: polyamide reinforced by fibre glass with anti-slip pad.

Bolt: stainless steel AISI 304.

### Technical Notes

Load values refer to static loads, located at half the screw height.

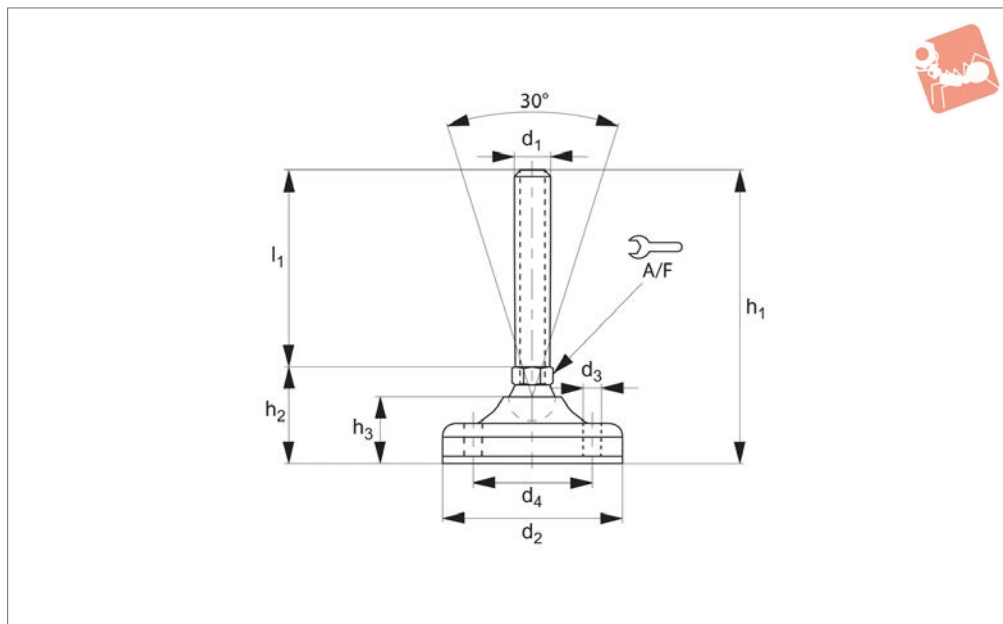
When vibrations or dynamic loads are

present these values should be reduced.

| Order No.   | d <sub>1</sub> | d <sub>2</sub> | l   | h <sub>1</sub> | h <sub>2</sub> | h <sub>3</sub> | A/F | Load kN max. |
|-------------|----------------|----------------|-----|----------------|----------------|----------------|-----|--------------|
| 34743.W0800 | M 8            | 40             | 25  | 55             | 30             | 19.5           | 12  | 10           |
| 34743.W0801 | M 8            | 40             | 50  | 80             | 30             | 19.5           | 12  | 10           |
| 34743.W0802 | M 8            | 40             | 75  | 105            | 30             | 19.5           | 12  | 10           |
| 34743.W0803 | M 8            | 40             | 100 | 130            | 30             | 19.5           | 12  | 10           |
| 34743.W1001 | M10            | 65             | 50  | 86             | 36             | 26.0           | 14  | 11           |
| 34743.W1002 | M10            | 65             | 75  | 111            | 36             | 26.0           | 14  | 11           |
| 34743.W1003 | M10            | 65             | 100 | 136            | 36             | 26.0           | 14  | 11           |
| 34743.W1004 | M10            | 65             | 125 | 161            | 36             | 26.0           | 14  | 11           |
| 34743.W1200 | M12            | 65             | 50  | 86             | 36             | 26.0           | 14  | 11           |
| 34743.W1201 | M12            | 65             | 75  | 111            | 36             | 26.0           | 14  | 11           |
| 34743.W1202 | M12            | 65             | 100 | 136            | 36             | 26.0           | 14  | 11           |
| 34743.W1203 | M12            | 65             | 125 | 161            | 36             | 26.0           | 14  | 11           |
| 34743.W1400 | M14            | 65             | 50  | 86             | 36             | 26.0           | 14  | 15           |
| 34743.W1401 | M14            | 65             | 75  | 111            | 36             | 26.0           | 14  | 15           |
| 34743.W1402 | M14            | 65             | 100 | 136            | 36             | 26.0           | 14  | 15           |
| 34743.W1403 | M14            | 65             | 125 | 161            | 36             | 26.0           | 14  | 15           |
| 34743.W1404 | M14            | 65             | 150 | 186            | 36             | 26.0           | 14  | 15           |
| 34743.W1405 | M14            | 65             | 175 | 211            | 36             | 26.0           | 14  | 15           |
| 34743.W1600 | M16            | 65             | 50  | 90             | 40             | 26.0           | 13  | 15           |
| 34743.W1601 | M16            | 65             | 75  | 115            | 40             | 26.0           | 13  | 15           |
| 34743.W1602 | M16            | 65             | 100 | 140            | 40             | 26.0           | 13  | 15           |
| 34743.W1603 | M16            | 65             | 125 | 165            | 40             | 26.0           | 13  | 15           |
| 34743.W1604 | M16            | 65             | 150 | 190            | 40             | 26.0           | 13  | 15           |
| 34743.W1605 | M16            | 65             | 175 | 215            | 40             | 26.0           | 13  | 15           |
| 34743.W1606 | M16            | 65             | 200 | 240            | 40             | 26.0           | 13  | 15           |
| 34743.W2000 | M20            | 65             | 50  | 90             | 40             | 26.0           | 17  | 15           |
| 34743.W2001 | M20            | 65             | 75  | 115            | 40             | 26.0           | 17  | 15           |
| 34743.W2002 | M20            | 65             | 100 | 140            | 40             | 26.0           | 17  | 15           |
| 34743.W2003 | M20            | 65             | 125 | 165            | 40             | 26.0           | 17  | 15           |
| 34743.W2004 | M20            | 65             | 150 | 190            | 40             | 26.0           | 17  | 15           |
| 34743.W2005 | M20            | 65             | 175 | 215            | 40             | 26.0           | 17  | 15           |
| 34743.W2006 | M20            | 65             | 200 | 240            | 40             | 26.0           | 17  | 15           |



## 34744



### Material

Pad: polyamide reinforced by fibre glass with anti-slip pad.

Bolt: stainless steel AISI 304.

### Technical Notes

Load values refer to static loads, located at half the screw height.

When vibrations or dynamic loads are

present these values should be reduced.

Larger pad size allows for bolt down holes to be drilled through.

| Order No.   | d <sub>1</sub> | l <sub>1</sub> | d <sub>2</sub> | d <sub>3</sub> | d <sub>4</sub> | h <sub>1</sub> | h <sub>2</sub> | h <sub>3</sub> | A/F | Load kN max. |
|-------------|----------------|----------------|----------------|----------------|----------------|----------------|----------------|----------------|-----|--------------|
| 34744.W1000 | M10            | 50             | 83             | 8.5            | 55             | 91             | 38             | 27             | 14  | 15           |
| 34744.W1001 | M10            | 75             | 83             | 8.5            | 55             | 116            | 38             | 27             | 14  | 15           |
| 34744.W1002 | M10            | 100            | 83             | 8.5            | 55             | 141            | 38             | 27             | 14  | 15           |
| 34744.W1003 | M10            | 125            | 83             | 8.5            | 55             | 166            | 38             | 27             | 14  | 15           |
| 34744.W1200 | M12            | 50             | 83             | 8.5            | 55             | 91             | 38             | 27             | 14  | 15           |
| 34744.W1201 | M12            | 75             | 83             | 8.5            | 55             | 116            | 38             | 27             | 14  | 15           |
| 34744.W1202 | M12            | 100            | 83             | 8.5            | 55             | 141            | 38             | 27             | 14  | 15           |
| 34744.W1203 | M12            | 125            | 83             | 8.5            | 55             | 166            | 38             | 27             | 14  | 15           |
| 34744.W1400 | M14            | 50             | 83             | 8.5            | 55             | 91             | 38             | 27             | 14  | 20           |
| 34744.W1401 | M14            | 75             | 83             | 8.5            | 55             | 116            | 38             | 27             | 14  | 20           |
| 34744.W1402 | M14            | 100            | 83             | 8.5            | 55             | 141            | 38             | 27             | 14  | 20           |
| 34744.W1403 | M14            | 125            | 83             | 8.5            | 55             | 166            | 38             | 27             | 14  | 20           |
| 34744.W1404 | M14            | 150            | 83             | 8.5            | 55             | 191            | 38             | 27             | 14  | 20           |
| 34744.W1405 | M14            | 175            | 83             | 8.5            | 55             | 216            | 38             | 27             | 14  | 20           |
| 34744.W1600 | M16            | 50             | 83             | 8.5            | 55             | 94             | 41             | 27             | 13  | 20           |
| 34744.W1601 | M16            | 75             | 83             | 8.5            | 55             | 119            | 41             | 27             | 13  | 20           |
| 34744.W1602 | M16            | 100            | 83             | 8.5            | 55             | 144            | 41             | 27             | 13  | 20           |
| 34744.W1603 | M16            | 125            | 83             | 8.5            | 55             | 169            | 41             | 27             | 13  | 20           |
| 34744.W1604 | M16            | 150            | 83             | 8.5            | 55             | 194            | 41             | 27             | 13  | 20           |
| 34744.W1605 | M16            | 175            | 83             | 8.5            | 55             | 219            | 41             | 27             | 13  | 20           |
| 34744.W1606 | M16            | 200            | 83             | 8.5            | 55             | 244            | 41             | 27             | 13  | 20           |
| 34744.W1607 | M16            | 50             | 103            | 12.5           | 73             | 104            | 51             | 32             | 20  | 25           |
| 34744.W1608 | M16            | 75             | 103            | 12.5           | 73             | 129            | 51             | 32             | 20  | 25           |
| 34744.W1609 | M16            | 100            | 103            | 12.5           | 73             | 154            | 51             | 32             | 20  | 25           |
| 34744.W1610 | M16            | 125            | 103            | 12.5           | 73             | 179            | 51             | 32             | 20  | 25           |
| 34744.W1611 | M16            | 150            | 103            | 12.5           | 73             | 204            | 51             | 32             | 20  | 25           |
| 34744.W1612 | M16            | 175            | 103            | 12.5           | 73             | 229            | 51             | 32             | 20  | 25           |
| 34744.W1613 | M16            | 200            | 103            | 12.5           | 73             | 254            | 51             | 32             | 20  | 25           |
| 34744.W1614 | M16            | 225            | 103            | 12.5           | 73             | 279            | 51             | 32             | 20  | 25           |
| 34744.W2000 | M20            | 75             | 83             | 8.5            | 55             | 119            | 41             | 27             | 17  | 20           |
| 34744.W2001 | M20            | 100            | 83             | 8.5            | 55             | 144            | 41             | 27             | 17  | 20           |
| 34744.W2002 | M20            | 125            | 83             | 8.5            | 55             | 169            | 41             | 27             | 17  | 20           |
| 34744.W2003 | M20            | 150            | 83             | 8.5            | 55             | 194            | 41             | 27             | 17  | 20           |



# Levelling Feet

bolt down option, bolt **stainless steel**



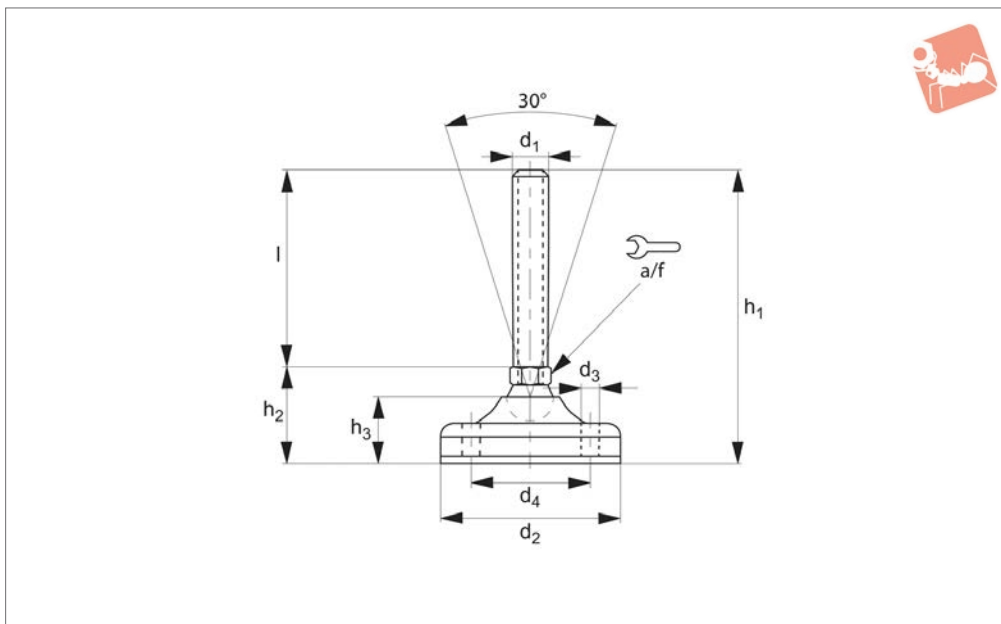
# Levelling Feet

| Order No.          | d <sub>1</sub> | l <sub>1</sub> | d <sub>2</sub> | d <sub>3</sub> | d <sub>4</sub> | h <sub>1</sub> | h <sub>2</sub> | h <sub>3</sub> | A/F | Load<br>kN<br>max. |
|--------------------|----------------|----------------|----------------|----------------|----------------|----------------|----------------|----------------|-----|--------------------|
| <b>34744.W2004</b> | M20            | 175            | 83             | 8.5            | 55             | 219            | 41             | 27             | 17  | 20                 |
| <b>34744.W2005</b> | M20            | 200            | 83             | 8.5            | 55             | 244            | 41             | 27             | 17  | 20                 |
| <b>34744.W2006</b> | M20            | 225            | 83             | 8.5            | 55             | 269            | 41             | 27             | 17  | 20                 |
| <b>34744.W2007</b> | M20            | 75             | 103            | 12.5           | 73             | 129            | 51             | 32             | 20  | 25                 |
| <b>34744.W2008</b> | M20            | 100            | 103            | 12.5           | 73             | 154            | 51             | 32             | 20  | 25                 |
| <b>34744.W2009</b> | M20            | 125            | 103            | 12.5           | 73             | 179            | 51             | 32             | 20  | 25                 |
| <b>34744.W2010</b> | M20            | 150            | 103            | 12.5           | 73             | 204            | 51             | 32             | 20  | 25                 |
| <b>34744.W2011</b> | M20            | 175            | 103            | 12.5           | 73             | 229            | 51             | 32             | 20  | 25                 |
| <b>34744.W2012</b> | M20            | 200            | 103            | 12.5           | 73             | 254            | 51             | 32             | 20  | 25                 |
| <b>34744.W2013</b> | M20            | 225            | 103            | 12.5           | 73             | 279            | 51             | 32             | 20  | 25                 |
| <b>34744.W2014</b> | M20            | 250            | 103            | 12.5           | 73             | 304            | 51             | 32             | 20  | 25                 |
| <b>34744.W2400</b> | M24            | 75             | 103            | 12.5           | 73             | 129            | 51             | 32             | 20  | 25                 |
| <b>34744.W2401</b> | M24            | 100            | 103            | 12.5           | 73             | 154            | 51             | 32             | 20  | 25                 |
| <b>34744.W2402</b> | M24            | 125            | 103            | 12.5           | 73             | 179            | 51             | 32             | 20  | 25                 |
| <b>34744.W2403</b> | M24            | 150            | 103            | 12.5           | 73             | 204            | 51             | 32             | 20  | 25                 |
| <b>34744.W2404</b> | M24            | 175            | 103            | 12.5           | 73             | 229            | 51             | 32             | 20  | 25                 |
| <b>34744.W2405</b> | M24            | 200            | 103            | 12.5           | 73             | 280            | 51             | 32             | 20  | 25                 |
| <b>34744.W2406</b> | M24            | 250            | 103            | 12.5           | 73             | 302            | 51             | 32             | 20  | 25                 |
| <b>34744.W2407</b> | M24            | 250            | 103            | 12.5           | 73             | 305            | 51             | 32             | 20  | 25                 |

LEVELLING FEET



## 34746



### Material

Pad: polyamide reinforced by fibre glass with anti-slip pad.

Bolt: stainless steel AISI 304.

### Technical Notes

Load values refer to static loads, located at half the screw height.

When vibrations or dynamic loads are

present these values should be reduced.

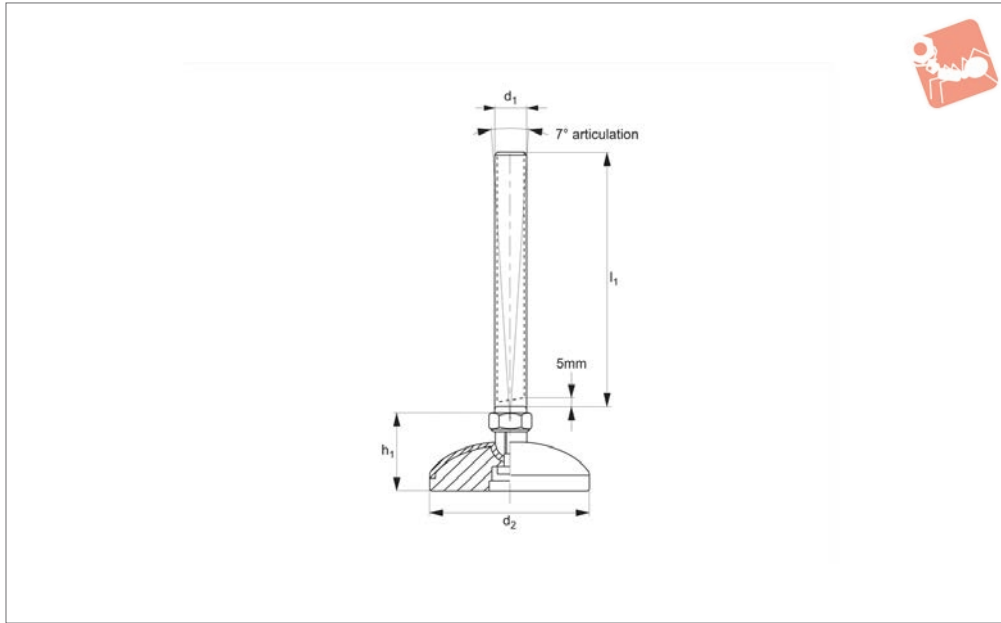
Larger pad size allows for bolt down holes to be drilled through.

| Order No.   | d <sub>1</sub> | d <sub>2</sub> | l   | d <sub>3</sub> | d <sub>4</sub> | h <sub>1</sub> | h <sub>2</sub> | h <sub>3</sub> | A/F | Load kN max. |
|-------------|----------------|----------------|-----|----------------|----------------|----------------|----------------|----------------|-----|--------------|
| 34746.W1600 | M16            | 123            | 50  | 12.5           | 87             | 110            | 60             | 40             | 20  | 35           |
| 34746.W1601 | M16            | 123            | 75  | 12.5           | 87             | 135            | 60             | 40             | 20  | 35           |
| 34746.W1602 | M16            | 123            | 100 | 12.5           | 87             | 160            | 60             | 40             | 20  | 35           |
| 34746.W1603 | M16            | 123            | 125 | 12.5           | 87             | 185            | 60             | 40             | 20  | 35           |
| 34746.W1604 | M16            | 123            | 150 | 12.5           | 87             | 210            | 60             | 40             | 20  | 35           |
| 34746.W1605 | M16            | 123            | 175 | 12.5           | 87             | 235            | 60             | 40             | 20  | 35           |
| 34746.W1606 | M16            | 123            | 200 | 12.5           | 87             | 260            | 60             | 40             | 20  | 35           |
| 34746.W1607 | M16            | 123            | 225 | 12.5           | 87             | 285            | 60             | 40             | 20  | 35           |
| 34746.W2000 | M20            | 123            | 75  | 12.5           | 87             | 135            | 60             | 40             | 20  | 35           |
| 34746.W2001 | M20            | 123            | 100 | 12.5           | 87             | 160            | 60             | 40             | 20  | 35           |
| 34746.W2002 | M20            | 123            | 125 | 12.5           | 87             | 185            | 60             | 40             | 20  | 35           |
| 34746.W2003 | M20            | 123            | 150 | 12.5           | 87             | 210            | 60             | 40             | 20  | 35           |
| 34746.W2004 | M20            | 123            | 175 | 12.5           | 87             | 235            | 60             | 40             | 20  | 35           |
| 34746.W2005 | M20            | 123            | 200 | 12.5           | 87             | 260            | 60             | 40             | 20  | 35           |
| 34746.W2006 | M20            | 123            | 225 | 12.5           | 87             | 285            | 60             | 40             | 20  | 35           |
| 34746.W2007 | M20            | 123            | 250 | 12.5           | 87             | 310            | 60             | 40             | 20  | 35           |
| 34746.W2400 | M24            | 123            | 75  | 12.5           | 87             | 135            | 60             | 40             | 20  | 35           |
| 34746.W2401 | M24            | 123            | 100 | 12.5           | 87             | 160            | 60             | 40             | 20  | 35           |
| 34746.W2402 | M24            | 123            | 125 | 12.5           | 87             | 185            | 60             | 40             | 20  | 35           |
| 34746.W2403 | M24            | 123            | 150 | 12.5           | 87             | 210            | 60             | 40             | 20  | 35           |
| 34746.W2404 | M24            | 123            | 175 | 12.5           | 87             | 235            | 60             | 40             | 20  | 35           |
| 34746.W2405 | M24            | 123            | 200 | 12.5           | 87             | 260            | 60             | 40             | 20  | 35           |
| 34746.W2406 | M24            | 123            | 225 | 12.5           | 87             | 285            | 60             | 40             | 20  | 35           |
| 34746.W2407 | M24            | 123            | 250 | 12.5           | 87             | 310            | 60             | 40             | 20  | 35           |
| 34746.W3000 | M30            | 123            | 100 | 12.5           | 87             | 161            | 61             | 40             | 26  | 35           |
| 34746.W3001 | M30            | 123            | 125 | 12.5           | 87             | 186            | 61             | 40             | 26  | 35           |
| 34746.W3002 | M30            | 123            | 150 | 12.5           | 87             | 211            | 61             | 40             | 26  | 35           |
| 34746.W3003 | M30            | 123            | 175 | 12.5           | 87             | 236            | 61             | 40             | 26  | 35           |
| 34746.W3004 | M30            | 123            | 200 | 12.5           | 87             | 261            | 61             | 40             | 26  | 35           |
| 34746.W3005 | M30            | 123            | 225 | 12.5           | 87             | 286            | 61             | 40             | 26  | 35           |
| 34746.W3006 | M30            | 123            | 250 | 12.5           | 87             | 311            | 61             | 40             | 26  | 35           |



# Machine Mount - Vibration Damp- pad and bolt - stainless steel

## Levelling Feet



**34751**

LEVELLING FEET

### Material

Pad: pressed stainless steel AISI 303.  
Bolt: stainless steel AISI 303.  
Pad insert: nitril rubber.

part ref 65686.

### Tips

For use in wide range of industries including food processing, medical equipment, electronics and machinery workshops.

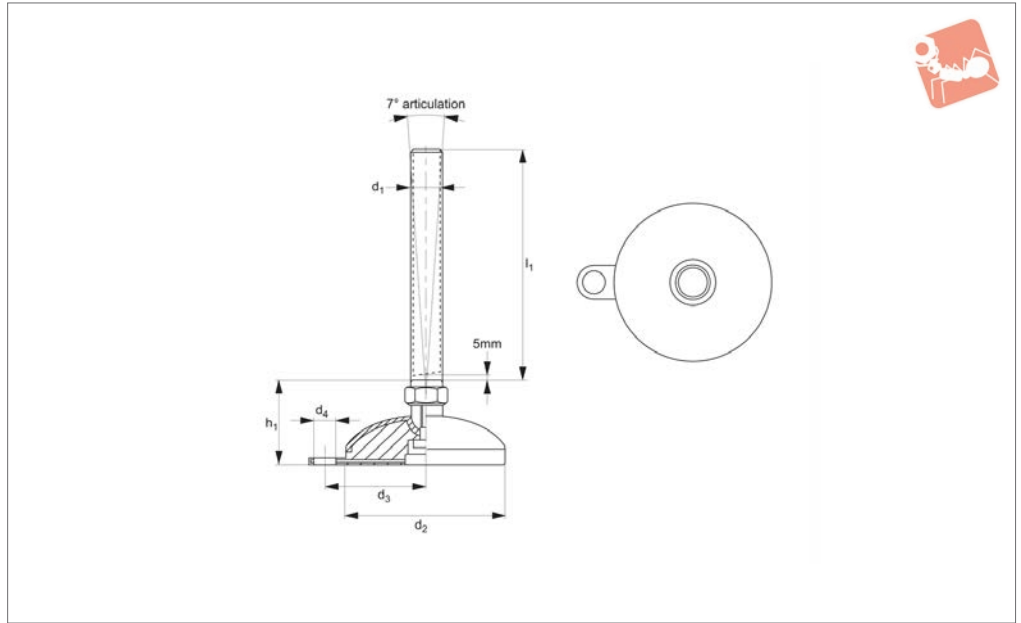
### Technical Notes

Lock nuts available separately. Please see

| Order No.   | $d_1$ | $l_1$ | $d_2$ | $h_1$ | Static load<br>kN<br>max. |
|-------------|-------|-------|-------|-------|---------------------------|
| 34751.W0100 | M10   | 50    | 50    | 25    | 3.5                       |
| 34751.W0101 | M10   | 100   | 50    | 25    | 3.5                       |
| 34751.W0120 | M12   | 100   | 50    | 25    | 3.5                       |
| 34751.W0121 | M12   | 150   | 50    | 25    | 3.5                       |
| 34751.W0160 | M16   | 100   | 50    | 28    | 3.5                       |
| 34751.W0161 | M16   | 150   | 50    | 28    | 3.5                       |
| 34751.W0162 | M16   | 100   | 75    | 33    | 7.5                       |
| 34751.W0163 | M16   | 150   | 75    | 33    | 7.5                       |
| 34751.W0164 | M16   | 200   | 75    | 33    | 7.5                       |
| 34751.W0165 | M16   | 100   | 100   | 38    | 10.0                      |
| 34751.W0166 | M16   | 150   | 100   | 38    | 10.0                      |
| 34751.W0167 | M16   | 200   | 100   | 38    | 10.0                      |
| 34751.W0200 | M20   | 150   | 75    | 35    | 7.5                       |
| 34751.W0201 | M20   | 200   | 75    | 35    | 7.5                       |
| 34751.W0202 | M20   | 150   | 100   | 41    | 10.0                      |
| 34751.W0203 | M20   | 200   | 100   | 41    | 10.0                      |
| 34751.W0240 | M24   | 150   | 100   | 43    | 10.0                      |
| 34751.W0241 | M24   | 250   | 100   | 43    | 10.0                      |



## 34752



### Material

Pad: pressed stainless steel AISI 303.  
Bolt: stainless steel AISI 303.  
Pad insert: nitril rubber.

### Technical Notes

Use of the bolt down tag allows the

machine mount to be fixed in place.

### Tips

For use in wide range of industries including food processing, medical equipment, electronics and machinery workshops.

| Order No.   | d <sub>1</sub> | l <sub>1</sub> | d <sub>2</sub> | d <sub>3</sub> | d <sub>4</sub> | h <sub>1</sub> | Static load<br>kN<br>max. |
|-------------|----------------|----------------|----------------|----------------|----------------|----------------|---------------------------|
| 34752.W0662 | M16            | 100            | 75             | 52             | 13             | 33             | 7.5                       |
| 34752.W0663 | M16            | 150            | 75             | 52             | 13             | 33             | 7.5                       |
| 34752.W0664 | M16            | 200            | 75             | 52             | 13             | 33             | 7.5                       |
| 34752.W0665 | M16            | 100            | 100            | 67             | 13             | 38             | 10.0                      |
| 34752.W0666 | M16            | 150            | 100            | 67             | 13             | 38             | 10.0                      |
| 34752.W0667 | M16            | 200            | 100            | 67             | 13             | 38             | 10.0                      |
| 34752.W0700 | M20            | 150            | 75             | 52             | 13             | 33             | 7.5                       |
| 34752.W0701 | M20            | 200            | 75             | 52             | 13             | 33             | 7.5                       |
| 34752.W0702 | M20            | 150            | 100            | 67             | 13             | 41             | 10.0                      |
| 34752.W0703 | M20            | 200            | 100            | 67             | 13             | 41             | 10.0                      |
| 34752.W0740 | M24            | 150            | 100            | 67             | 13             | 43             | 10.0                      |
| 34752.W0741 | M24            | 200            | 100            | 67             | 13             | 43             | 10.0                      |

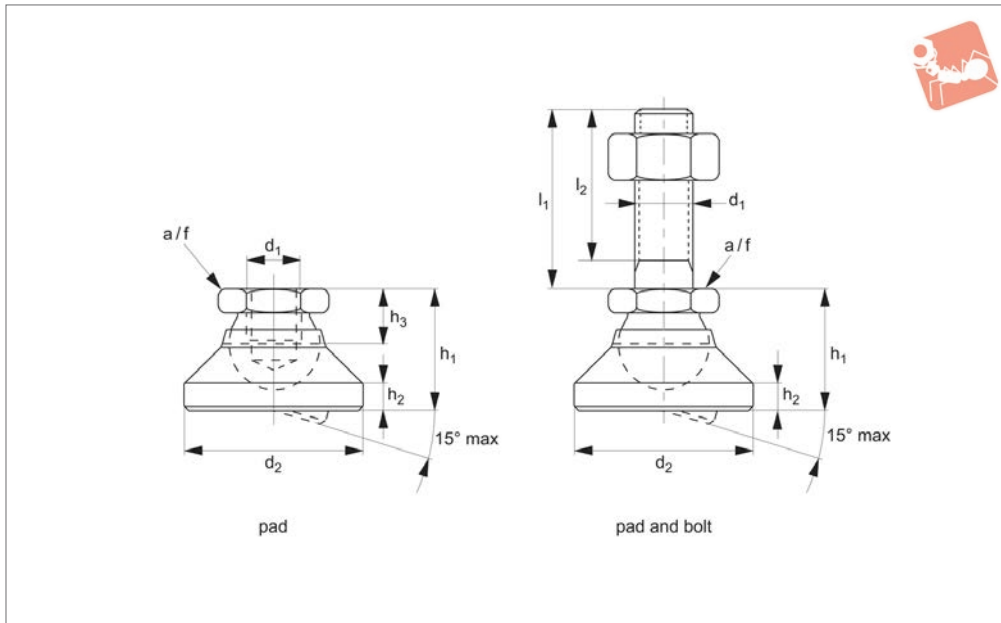


# Levelling Feet

pad thermoplastic, bolt stainless steel



# Levelling Feet



## 34760

LEVELLING FEET

### Material

Pad: white thermoplastic (POM).

Bolt: stainless steel 1.4305 (AISI 303).

Lock nut: Stainless steel A2, DIN 934/ISO 4032.

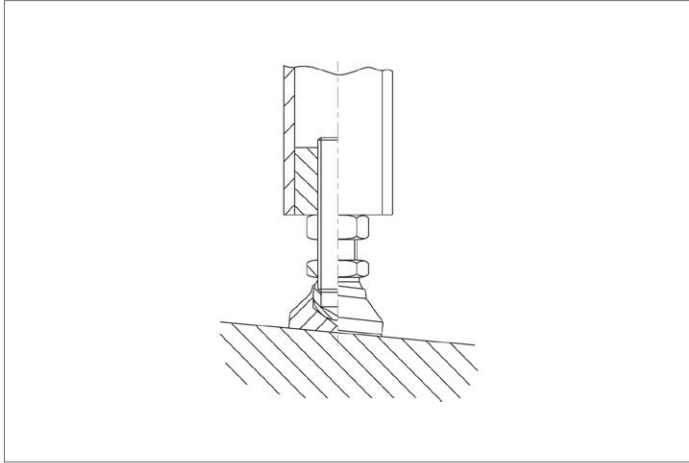
### Technical Notes

For use as feet and thrust pads.

| Order No.          | Type         | d <sub>1</sub> | l <sub>1</sub> | d <sub>2</sub> | l <sub>2</sub> | h <sub>1</sub><br>≈ | h <sub>2</sub> | h <sub>3</sub> | Static load<br>kN<br>max. | A/F | Weight<br>g |
|--------------------|--------------|----------------|----------------|----------------|----------------|---------------------|----------------|----------------|---------------------------|-----|-------------|
| <b>34760.W0106</b> | Pad          | M 6            | -              | 20             | -              | 14                  | 2.5            | 5.0            | 4                         | 10  | 6           |
| <b>34760.W0108</b> | Pad          | M 8            | -              | 25             | -              | 18                  | 4.0            | 7.0            | 7                         | 13  | 13          |
| <b>34760.W0110</b> | Pad          | M10            | -              | 32             | -              | 22                  | 5.0            | 9.0            | 10                        | 17  | 26          |
| <b>34760.W0112</b> | Pad          | M12            | -              | 40             | -              | 26                  | 6.0            | 11.0           | 18                        | 19  | 40          |
| <b>34760.W0116</b> | Pad          | M16            | -              | 50             | -              | 32                  | 7.0            | 13.5           | 20                        | 24  | 75          |
| <b>34760.W0120</b> | Pad          | M20            | -              | 60             | -              | 42                  | 8.0            | 17.0           | 22                        | 30  | 120         |
| <b>34760.W0124</b> | Pad          | M24            | -              | 60             | -              | 45                  | 9.5            | 19.0           | 25                        | 36  | 184         |
| <b>34760.W0510</b> | Pad and Bolt | M 6            | 60             | 20             | 57.0           | 14                  | 2.5            | -              | 4                         | 10  | 20          |
| <b>34760.W0522</b> | Pad and Bolt | M 8            | 80             | 25             | 76.0           | 18                  | 4.0            | -              | 7                         | 13  | 46          |
| <b>34760.W0538</b> | Pad and Bolt | M10            | 100            | 32             | 95.5           | 22                  | 5.0            | -              | 10                        | 17  | 92          |
| <b>34760.W0542</b> | Pad and Bolt | M10            | 150            | 32             | 145.5          | 22                  | 5.0            | -              | 10                        | 17  | 118         |
| <b>34760.W0552</b> | Pad and Bolt | M12            | 100            | 40             | 94.5           | 26                  | 6.0            | -              | 18                        | 19  | 139         |
| <b>34760.W0556</b> | Pad and Bolt | M12            | 150            | 40             | 144.5          | 26                  | 6.0            | -              | 18                        | 19  | 173         |
| <b>34760.W0568</b> | Pad and Bolt | M16            | 100            | 50             | 94.0           | 32                  | 7.0            | -              | 20                        | 24  | 264         |
| <b>34760.W0572</b> | Pad and Bolt | M16            | 200            | 50             | 194.0          | 32                  | 7.0            | -              | 20                        | 24  | 393         |
| <b>34760.W0582</b> | Pad and Bolt | M20            | 100            | 60             | 92.5           | 42                  | 8.0            | -              | 22                        | 30  | 463         |
| <b>34760.W0588</b> | Pad and Bolt | M20            | 200            | 60             | 192.5          | 42                  | 8.0            | -              | 22                        | 30  | 664         |
| <b>34760.W0595</b> | Pad and Bolt | M24            | 100            | 60             | 91.0           | 45                  | 9.5            | -              | 25                        | 36  | 662         |
| <b>34760.W0598</b> | Pad and Bolt | M24            | 200            | 60             | 191.0          | 45                  | 9.5            | -              | 25                        | 36  | 960         |



LEVELLING FEET



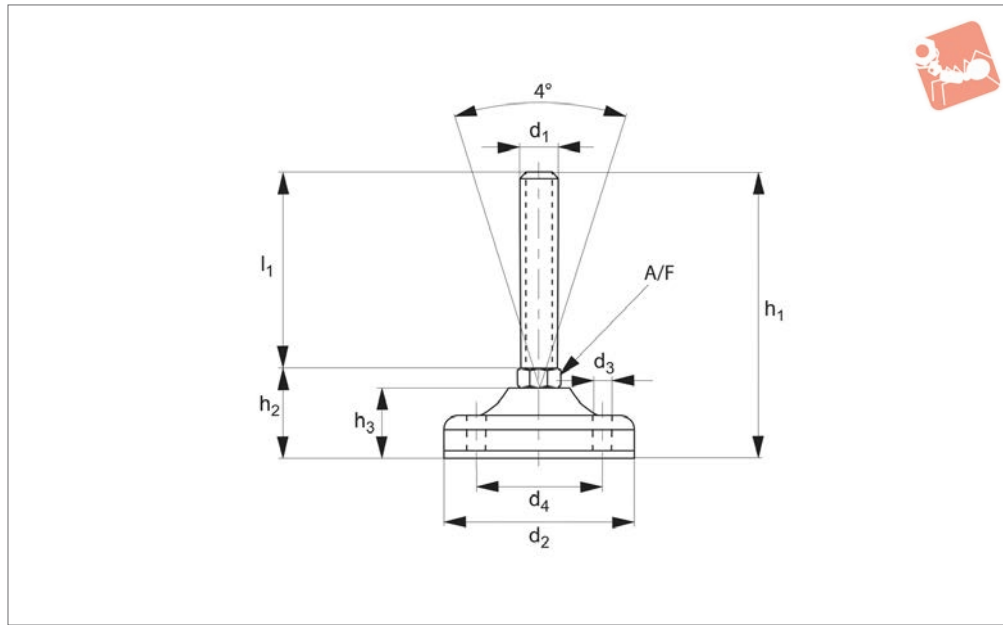




# Machine Mount

plastic pad, bolt black polyamide bolt down option

# Levelling Feet



## 34754

LEVELLING FEET

### Material

Pad: black polyamide.  
Bolt: stainless steel AISI 303.

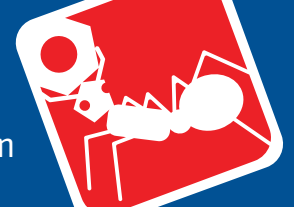
Pad insert: nitril rubber.

half the screw height.

### Technical Notes

Load values refer to static loads, located at

| Order No.   | d <sub>1</sub> | l <sub>1</sub> | d <sub>2</sub> | d <sub>3</sub> | d <sub>4</sub> | h <sub>1</sub> | h <sub>2</sub> | h <sub>3</sub> | A/F | Load kN max. |
|-------------|----------------|----------------|----------------|----------------|----------------|----------------|----------------|----------------|-----|--------------|
| 34754.W1000 | M10            | 50             | 83             | 8.5            | 56             | 89             | 39             | 31             | 14  | 15           |
| 34754.W1001 | M10            | 75             | 83             | 8.5            | 56             | 114            | 39             | 31             | 14  | 15           |
| 34754.W1002 | M10            | 100            | 83             | 8.5            | 56             | 139            | 39             | 31             | 14  | 15           |
| 34754.W1003 | M10            | 125            | 83             | 8.5            | 56             | 164            | 39             | 31             | 14  | 15           |
| 34754.W1200 | M12            | 50             | 83             | 8.5            | 56             | 89             | 39             | 31             | 14  | 15           |
| 34754.W1201 | M12            | 75             | 83             | 8.5            | 56             | 114            | 39             | 31             | 14  | 15           |
| 34754.W1202 | M12            | 100            | 83             | 8.5            | 56             | 139            | 39             | 31             | 14  | 15           |
| 34754.W1203 | M12            | 125            | 83             | 8.5            | 56             | 164            | 39             | 31             | 14  | 15           |
| 34754.W1400 | M14            | 50             | 83             | 8.5            | 56             | 89             | 39             | 31             | 14  | 20           |
| 34754.W1401 | M14            | 75             | 83             | 8.5            | 56             | 114            | 39             | 31             | 14  | 20           |
| 34754.W1402 | M14            | 100            | 83             | 8.5            | 56             | 139            | 39             | 31             | 14  | 20           |
| 34754.W1403 | M14            | 125            | 83             | 8.5            | 56             | 164            | 39             | 31             | 14  | 20           |
| 34754.W1404 | M14            | 150            | 83             | 8.5            | 56             | 189            | 39             | 31             | 14  | 20           |
| 34754.W1405 | M14            | 175            | 83             | 8.5            | 56             | 215            | 39             | 31             | 14  | 20           |
| 34754.W1600 | M16            | 50             | 83             | 8.5            | 56             | 93             | 43             | 31             | 13  | 20           |
| 34754.W1601 | M16            | 75             | 83             | 8.5            | 56             | 118            | 43             | 31             | 13  | 20           |
| 34754.W1602 | M16            | 100            | 83             | 8.5            | 56             | 143            | 43             | 31             | 13  | 20           |
| 34754.W1603 | M16            | 125            | 83             | 8.5            | 56             | 168            | 43             | 31             | 13  | 20           |
| 34754.W1604 | M16            | 150            | 83             | 8.5            | 56             | 193            | 43             | 31             | 13  | 20           |
| 34754.W1605 | M16            | 175            | 83             | 8.5            | 56             | 218            | 43             | 31             | 13  | 20           |
| 34754.W1606 | M16            | 200            | 83             | 8.5            | 56             | 243            | 43             | 31             | 13  | 20           |
| 34754.W1607 | M16            | 50             | 103            | 12.5           | 73             | 98             | 48             | 36             | 17  | 35           |
| 34754.W1608 | M16            | 75             | 103            | 12.5           | 73             | 123            | 48             | 36             | 17  | 35           |
| 34754.W1609 | M16            | 100            | 103            | 12.5           | 73             | 148            | 48             | 36             | 17  | 35           |
| 34754.W1610 | M16            | 125            | 103            | 12.5           | 73             | 173            | 48             | 36             | 17  | 35           |
| 34754.W1611 | M16            | 150            | 103            | 12.5           | 73             | 198            | 48             | 36             | 17  | 35           |
| 34754.W1612 | M16            | 175            | 103            | 12.5           | 73             | 223            | 48             | 36             | 17  | 35           |
| 34754.W1613 | M16            | 200            | 103            | 12.5           | 73             | 248            | 48             | 36             | 17  | 35           |
| 34754.W1614 | M16            | 225            | 103            | 12.5           | 73             | 273            | 48             | 36             | 17  | 35           |
| 34754.W1615 | M16            | 50             | 123            | 12.5           | 87             | 103            | 53             | 40             | 20  | 45           |
| 34754.W1616 | M16            | 75             | 123            | 12.5           | 87             | 128            | 53             | 40             | 20  | 45           |
| 34754.W1617 | M16            | 100            | 123            | 12.5           | 87             | 153            | 53             | 40             | 20  | 45           |
| 34754.W1618 | M16            | 125            | 123            | 12.5           | 87             | 178            | 53             | 40             | 20  | 45           |
| 34754.W1619 | M16            | 150            | 123            | 12.5           | 87             | 203            | 53             | 40             | 20  | 45           |



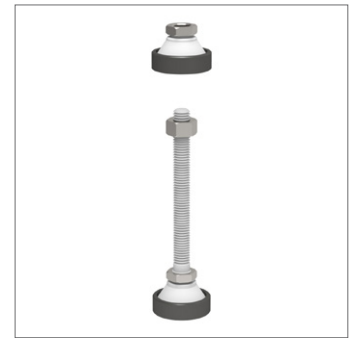
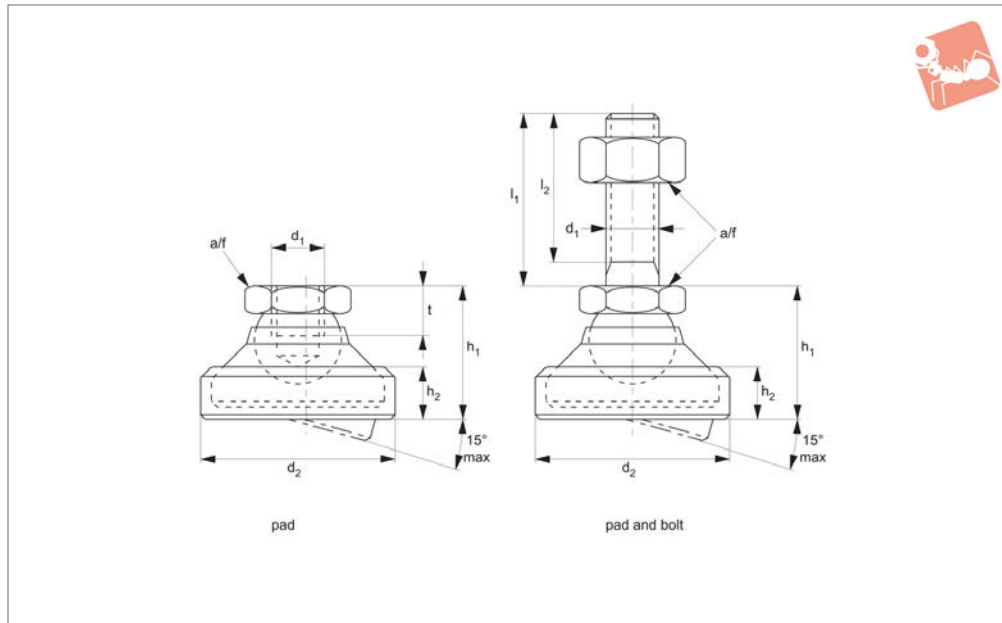
| Order No.   | d <sub>1</sub> | l <sub>1</sub> | d <sub>2</sub> | d <sub>3</sub> | d <sub>4</sub> | h <sub>1</sub> | h <sub>2</sub> | h <sub>3</sub> | A/F | Load<br>kN<br>max. |
|-------------|----------------|----------------|----------------|----------------|----------------|----------------|----------------|----------------|-----|--------------------|
| 34754.W1620 | M16            | 175            | 123            | 12.5           | 87             | 228            | 53             | 40             | 20  | 45                 |
| 34754.W1621 | M16            | 200            | 123            | 12.5           | 87             | 253            | 53             | 40             | 20  | 45                 |
| 34754.W1622 | M16            | 225            | 123            | 12.5           | 87             | 278            | 53             | 40             | 20  | 45                 |
| 34754.W2000 | M20            | 75             | 83             | 8.5            | 56             | 118            | 43             | 34             | 17  | 20                 |
| 34754.W2001 | M20            | 100            | 83             | 8.5            | 56             | 143            | 43             | 34             | 17  | 20                 |
| 34754.W2002 | M20            | 125            | 83             | 8.5            | 56             | 168            | 43             | 34             | 17  | 20                 |
| 34754.W2003 | M20            | 150            | 83             | 8.5            | 56             | 193            | 43             | 34             | 17  | 20                 |
| 34754.W2004 | M20            | 175            | 83             | 8.5            | 56             | 218            | 43             | 34             | 17  | 20                 |
| 34754.W2005 | M20            | 200            | 83             | 8.5            | 56             | 243            | 43             | 34             | 17  | 20                 |
| 34754.W2006 | M20            | 225            | 83             | 8.5            | 56             | 268            | 43             | 34             | 17  | 20                 |
| 34754.W2007 | M20            | 75             | 103            | 12.5           | 73             | 123            | 48             | 36             | 17  | 35                 |
| 34754.W2008 | M20            | 100            | 103            | 12.5           | 73             | 148            | 48             | 36             | 17  | 35                 |
| 34754.W2009 | M20            | 125            | 103            | 12.5           | 73             | 173            | 48             | 36             | 17  | 35                 |
| 34754.W2010 | M20            | 150            | 103            | 12.5           | 73             | 198            | 48             | 36             | 17  | 35                 |
| 34754.W2011 | M20            | 175            | 103            | 12.5           | 73             | 223            | 48             | 36             | 17  | 35                 |
| 34754.W2012 | M20            | 200            | 103            | 12.5           | 73             | 248            | 48             | 36             | 17  | 35                 |
| 34754.W2013 | M20            | 225            | 103            | 12.5           | 73             | 273            | 48             | 36             | 17  | 35                 |
| 34754.W2014 | M20            | 75             | 123            | 12.5           | 87             | 128            | 53             | 40             | 20  | 45                 |
| 34754.W2015 | M20            | 100            | 123            | 12.5           | 87             | 153            | 53             | 40             | 20  | 45                 |
| 34754.W2016 | M20            | 125            | 123            | 12.5           | 87             | 178            | 53             | 40             | 20  | 45                 |
| 34754.W2017 | M20            | 150            | 123            | 12.5           | 87             | 203            | 53             | 40             | 20  | 45                 |
| 34754.W2018 | M20            | 175            | 123            | 12.5           | 87             | 228            | 53             | 40             | 20  | 45                 |
| 34754.W2019 | M20            | 200            | 123            | 12.5           | 87             | 253            | 53             | 40             | 20  | 45                 |
| 34754.W2020 | M20            | 225            | 123            | 12.5           | 87             | 278            | 53             | 40             | 20  | 45                 |
| 34754.W2400 | M24            | 75             | 103            | 12.5           | 73             | 125            | 50             | 36             | 20  | 35                 |
| 34754.W2401 | M24            | 100            | 103            | 12.5           | 73             | 150            | 50             | 36             | 20  | 35                 |
| 34754.W2402 | M24            | 125            | 103            | 12.5           | 73             | 175            | 50             | 36             | 20  | 35                 |
| 34754.W2403 | M24            | 150            | 103            | 12.5           | 73             | 200            | 50             | 36             | 20  | 35                 |
| 34754.W2404 | M24            | 175            | 103            | 12.5           | 73             | 225            | 50             | 36             | 20  | 35                 |
| 34754.W2405 | M24            | 200            | 103            | 12.5           | 73             | 250            | 50             | 36             | 20  | 35                 |
| 34754.W2406 | M24            | 225            | 103            | 12.5           | 73             | 275            | 50             | 36             | 20  | 35                 |
| 34754.W2407 | M24            | 75             | 123            | 12.5           | 87             | 128            | 53             | 40             | 20  | 45                 |
| 34754.W2408 | M24            | 100            | 123            | 12.5           | 87             | 153            | 53             | 40             | 20  | 45                 |
| 34754.W2409 | M24            | 125            | 123            | 12.5           | 87             | 178            | 53             | 40             | 20  | 45                 |
| 34754.W2410 | M24            | 150            | 123            | 12.5           | 87             | 203            | 53             | 40             | 20  | 45                 |
| 34754.W2411 | M24            | 175            | 123            | 12.5           | 87             | 228            | 53             | 40             | 20  | 45                 |
| 34754.W2412 | M24            | 200            | 123            | 12.5           | 87             | 253            | 53             | 40             | 20  | 45                 |
| 34754.W2413 | M24            | 225            | 123            | 12.5           | 87             | 278            | 53             | 40             | 20  | 45                 |
| 34754.W2414 | M24            | 250            | 123            | 12.5           | 87             | 303            | 53             | 40             | 20  | 45                 |
| 34754.W3000 | M30            | 100            | 123            | 12.5           | 87             | 153            | 53             | 40             | 26  | 45                 |
| 34754.W3001 | M30            | 125            | 123            | 12.5           | 87             | 178            | 53             | 40             | 26  | 45                 |
| 34754.W3002 | M30            | 150            | 123            | 12.5           | 87             | 203            | 53             | 40             | 26  | 45                 |
| 34754.W3003 | M30            | 175            | 123            | 12.5           | 87             | 228            | 53             | 40             | 26  | 45                 |
| 34754.W3004 | M30            | 200            | 123            | 12.5           | 87             | 253            | 53             | 40             | 26  | 45                 |
| 34754.W3005 | M30            | 225            | 123            | 12.5           | 87             | 278            | 53             | 40             | 26  | 45                 |
| 34754.W3006 | M30            | 250            | 123            | 12.5           | 87             | 303            | 53             | 40             | 26  | 45                 |



# Levelling Feet - Non Slip

pad thermoplastic, bolt stainless steel

# Levelling Feet



## 34761

LEVELLING FEET

### Material

Pad: white thermoplastic (POM).  
 Bolt: stainless steel 1.4305 (AISI 303).  
 Lock nut: Stainless steel A2, DIN 934/ISO 4032.(M10, M12 only).

Cap: Black Rubber

### Tips

To be used as feet and thrust pads. Used for levelling up to 15° on surface.

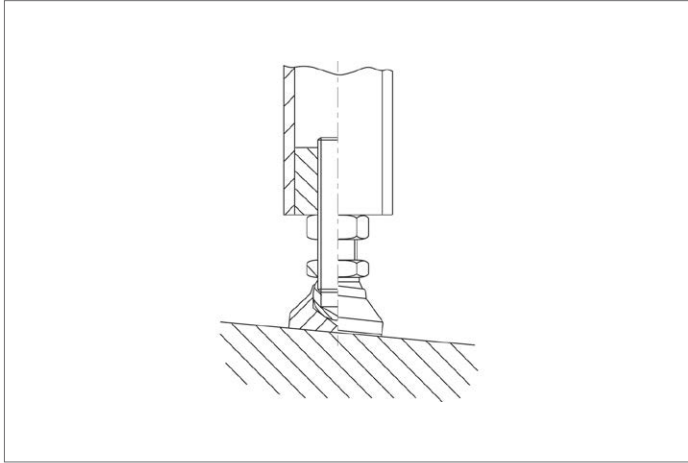
Also used:

34701 - Levelling Feet  
 34700 - Levelling Feet - steel/stainless, non slip.

| Order No.          | Type         | d <sub>1</sub> | l <sub>1</sub> | d <sub>2</sub> | l <sub>2</sub> | h <sub>1</sub><br>≈ | h <sub>2</sub> | Static load<br>kN<br>max. | t    | A/F | Weight<br>g |
|--------------------|--------------|----------------|----------------|----------------|----------------|---------------------|----------------|---------------------------|------|-----|-------------|
| <b>34761.W1106</b> | Pad          | M 6            | -              | 22.5           | -              | 16.5                | 6.4            | 4                         | 5.0  | 10  | 7           |
| <b>34761.W1108</b> | Pad          | M 8            | -              | 28.0           | -              | 20.6                | 8.3            | 7                         | 7.0  | 13  | 16          |
| <b>34761.W1110</b> | Pad          | M10            | -              | 36.0           | -              | 26.0                | 11.0           | 10                        | 9.0  | 17  | 32          |
| <b>34761.W1112</b> | Pad          | M12            | -              | 45.0           | -              | 30.5                | 13.2           | 18                        | 11.0 | 19  | 51          |
| <b>34761.W1116</b> | Pad          | M16            | -              | 56.0           | -              | 37.5                | 15.5           | 20                        | 13.5 | 24  | 96          |
| <b>34761.W1120</b> | Pad          | M20            | -              | 67.0           | -              | 49.5                | 19.5           | 22                        | 17.0 | 30  | 190         |
| <b>34761.W1124</b> | Pad          | M24            | -              | 69.0           | -              | 55.0                | 24.0           | 25                        | 19.0 | 36  | 240         |
| <b>34761.W1510</b> | Pad and Bolt | M 6            | 60             | 22.5           | 57.0           | 16.5                | 6.4            | 4                         | -    | 10  | 21          |
| <b>34761.W1522</b> | Pad and Bolt | M 8            | 80             | 28.0           | 76.0           | 20.6                | 8.3            | 7                         | -    | 13  | 49          |
| <b>34761.W1538</b> | Pad and Bolt | M10            | 100            | 36.0           | 95.5           | 26.0                | 11.0           | 10                        | -    | 17  | 98          |
| <b>34761.W1542</b> | Pad and Bolt | M10            | 150            | 36.0           | 145.5          | 26.0                | 11.0           | 10                        | -    | 17  | 124         |
| <b>34761.W1552</b> | Pad and Bolt | M12            | 100            | 45.0           | 94.5           | 30.5                | 13.2           | 18                        | -    | 19  | 150         |
| <b>34761.W1556</b> | Pad and Bolt | M12            | 150            | 45.0           | 144.5          | 30.5                | 13.2           | 18                        | -    | 19  | 184         |
| <b>34761.W1568</b> | Pad and Bolt | M16            | 100            | 56.0           | 94.0           | 37.5                | 15.5           | 20                        | -    | 24  | 285         |
| <b>34761.W1572</b> | Pad and Bolt | M16            | 200            | 56.0           | 194.0          | 37.5                | 15.5           | 20                        | -    | 24  | 414         |
| <b>34761.W1582</b> | Pad and Bolt | M20            | 100            | 67.0           | 92.5           | 49.5                | 19.5           | 22                        | -    | 30  | 503         |
| <b>34761.W1588</b> | Pad and Bolt | M20            | 200            | 67.0           | 192.5          | 49.5                | 19.5           | 22                        | -    | 30  | 704         |
| <b>34761.W1595</b> | Pad and Bolt | M24            | 100            | 69.0           | 91.0           | 55.0                | 24.0           | 25                        | -    | 36  | 718         |
| <b>34761.W1598</b> | Pad and Bolt | M24            | 200            | 69.0           | 191.0          | 55.0                | 24.0           | 25                        | -    | 36  | 1016        |



LEVELLING FEET

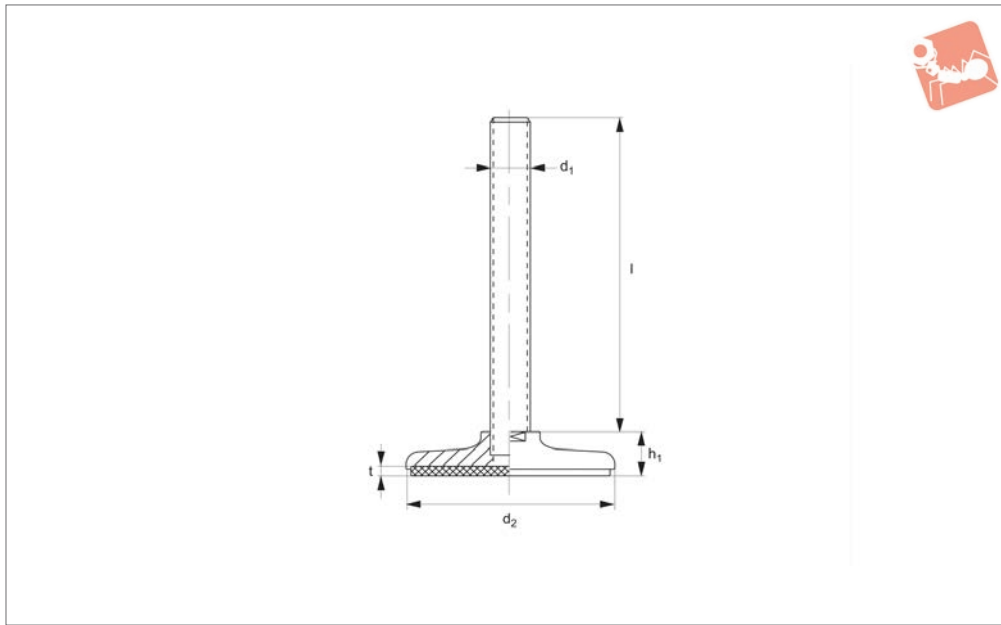




# Machine Feet - Low Profile

pad and bolt **stainless steel**

## Levelling Feet



**34780**

LEVELLING FEET

### Material

Pad & bolt: AISI 304 stainless steel.  
Inset nitrile rubber pad.

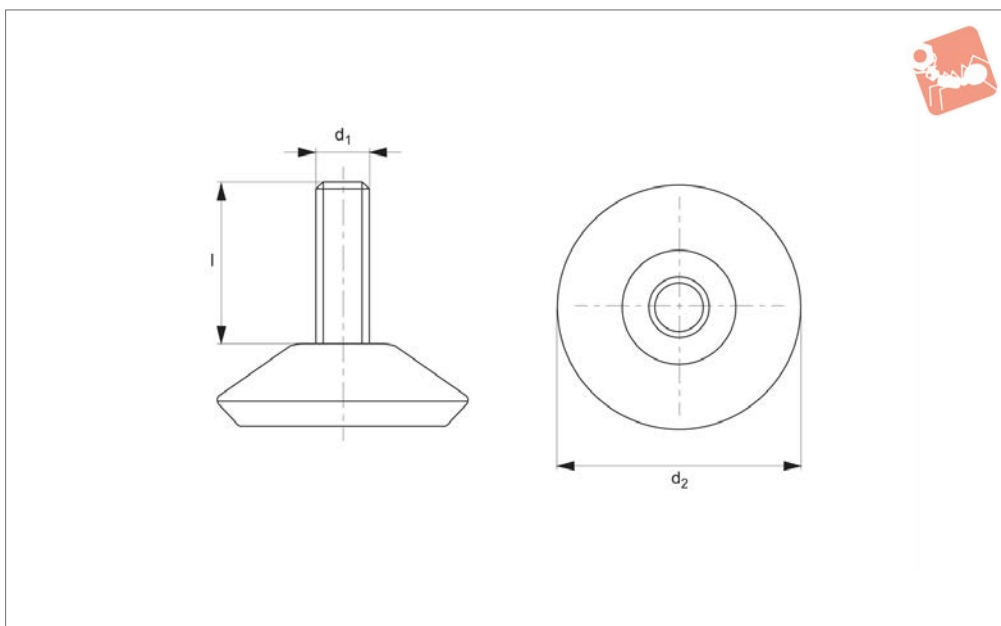
### Technical Notes

Suitable for use in food & drink, pharmaceutical and clean room environments.

| Order No.   | d <sub>1</sub> | d <sub>2</sub> | l   | h <sub>1</sub> | Static load<br>kN<br>max. | t |
|-------------|----------------|----------------|-----|----------------|---------------------------|---|
| 34780.W0082 | M 8            | 40             | 40  | 12             | 4.5                       | 3 |
| 34780.W0084 | M 8            | 40             | 60  | 12             | 4.5                       | 3 |
| 34780.W0100 | M10            | 40             | 40  | 12             | 6.0                       | 3 |
| 34780.W0102 | M10            | 40             | 60  | 12             | 6.0                       | 3 |
| 34780.W0104 | M10            | 40             | 80  | 12             | 6.0                       | 3 |
| 34780.W0086 | M 8            | 50             | 40  | 14             | 4.5                       | 3 |
| 34780.W0088 | M 8            | 50             | 60  | 14             | 4.5                       | 3 |
| 34780.W0106 | M10            | 50             | 40  | 14             | 6.0                       | 3 |
| 34780.W0108 | M10            | 50             | 60  | 14             | 6.0                       | 3 |
| 34780.W0110 | M10            | 50             | 80  | 14             | 6.0                       | 3 |
| 34780.W0120 | M12            | 50             | 50  | 15             | 7.5                       | 3 |
| 34780.W0121 | M12            | 50             | 75  | 15             | 7.5                       | 3 |
| 34780.W0123 | M12            | 50             | 100 | 15             | 7.5                       | 3 |
| 34780.W0125 | M12            | 60             | 75  | 15             | 12.5                      | 3 |
| 34780.W0126 | M12            | 60             | 125 | 15             | 12.5                      | 3 |
| 34780.W0127 | M12            | 60             | 150 | 15             | 12.5                      | 3 |
| 34780.W0128 | M12            | 80             | 150 | 21             | 15.0                      | 3 |
| 34780.W0161 | M16            | 80             | 150 | 21             | 20.0                      | 3 |
| 34780.W0162 | M16            | 120            | 150 | 24             | 20.0                      | 3 |
| 34780.W0201 | M20            | 120            | 200 | 24             | 30.0                      | 3 |
| 34780.W0202 | M20            | 150            | 200 | 26             | 30.0                      | 3 |
| 34780.W0241 | M24            | 150            | 200 | 26             | 40.0                      | 3 |



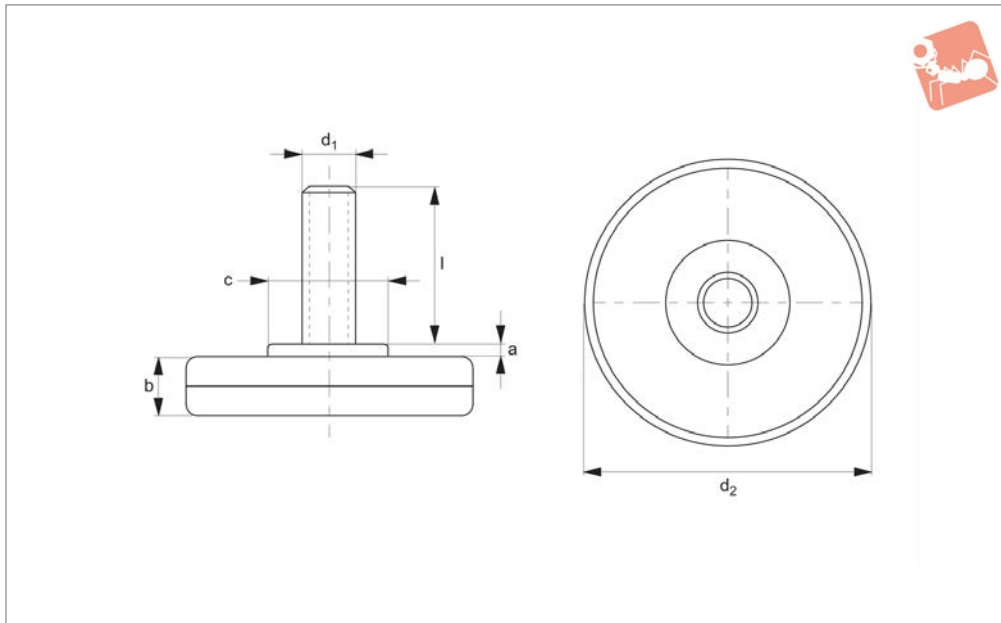
**34610**



**Material**

Thread: steel, zinc plated.  
Pad: thermoplastic, black.

| Order No.   | d <sub>1</sub> | d <sub>2</sub> | l  |
|-------------|----------------|----------------|----|
| 34610.W0030 | M 8            | 30             | 27 |
| 34610.W0032 | M 8            | 30             | 32 |
| 34610.W0041 | M 8            | 40             | 22 |
| 34610.W0042 | M 8            | 40             | 32 |
| 34610.W0044 | M10            | 40             | 27 |
| 34610.W0046 | M10            | 40             | 32 |
| 34610.W0056 | M10            | 50             | 32 |
| 34610.W0066 | M10            | 60             | 32 |
| 34610.W0067 | M10            | 60             | 45 |



34620

LEVELLING FEET

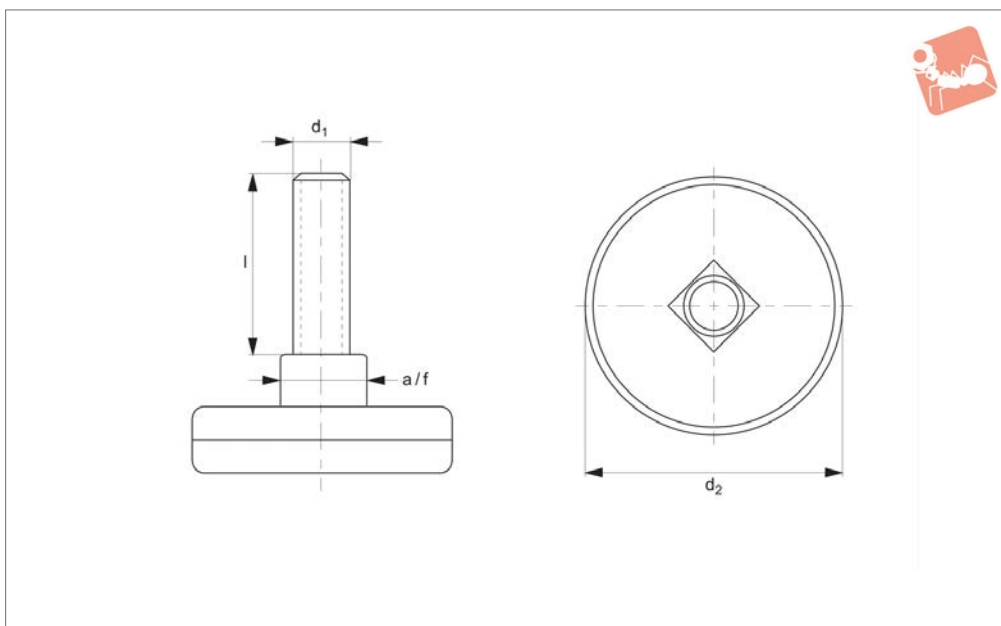
**Material**

Thread: steel, zinc plated.  
Pad: thermoplastic, black.

| Order No.   | d <sub>1</sub> | d <sub>2</sub> | l  | c  | b  | a |
|-------------|----------------|----------------|----|----|----|---|
| 34620.W0020 | M 8            | 25             | 17 | 18 | 8  | 2 |
| 34620.W0021 | M 8            | 25             | 22 | 18 | 8  | 2 |
| 34620.W0022 | M 8            | 25             | 27 | 18 | 8  | 2 |
| 34620.W0031 | M 8            | 30             | 27 | 18 | 8  | 2 |
| 34620.W0042 | M 8            | 40             | 32 | 20 | 9  | 2 |
| 34620.W0045 | M10            | 40             | 22 | 20 | 9  | 2 |
| 34620.W0046 | M10            | 40             | 32 | 20 | 9  | 2 |
| 34620.W0055 | M10            | 50             | 22 | 22 | 10 | 2 |
| 34620.W0056 | M10            | 50             | 32 | 22 | 10 | 2 |
| 34620.W0065 | M10            | 60             | 37 | 22 | 10 | 2 |
| 34620.W0066 | M10            | 60             | 27 | 22 | 10 | 2 |
| 34620.W0085 | M10            | 80             | 22 | 26 | 10 | 2 |
| 34620.W0086 | M10            | 80             | 32 | 26 | 10 | 2 |
| 34620.W0087 | M10            | 80             | 37 | 26 | 10 | 2 |



## 34630

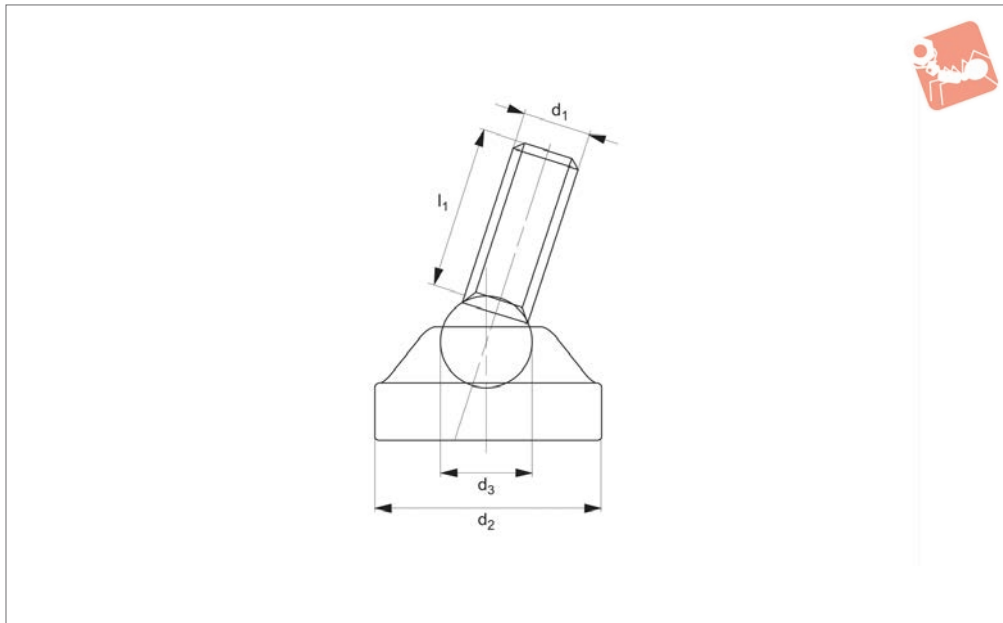


### Material

Thread: steel, zinc plated.  
Pad: thermoplastic, black.

| Order No.   | $d_1$ | $d_2$ | $l$ | A/F |
|-------------|-------|-------|-----|-----|
| 34630.W0011 | M 8   | 19    | 22  | 14  |
| 34630.W0013 | M 8   | 19    | 27  | 14  |
| 34630.W0036 | M 8   | 30    | 22  | 17  |
| 34630.W0038 | M10   | 30    | 27  | 17  |
| 34630.W0041 | M 8   | 40    | 22  | 17  |
| 34630.W0042 | M 8   | 40    | 32  | 17  |
| 34630.W0045 | M10   | 40    | 22  | 17  |
| 34630.W0046 | M10   | 40    | 32  | 17  |
| 34630.W0051 | M 8   | 50    | 22  | 17  |
| 34630.W0054 | M10   | 50    | 27  | 17  |
| 34630.W0056 | M10   | 50    | 32  | 17  |
| 34630.W0062 | M 8   | 60    | 32  | 17  |
| 34630.W0063 | M 8   | 60    | 42  | 17  |
| 34630.W0066 | M10   | 60    | 32  | 17  |
| 34630.W0067 | M10   | 60    | 45  | 17  |





34640

LEVELLING FEET

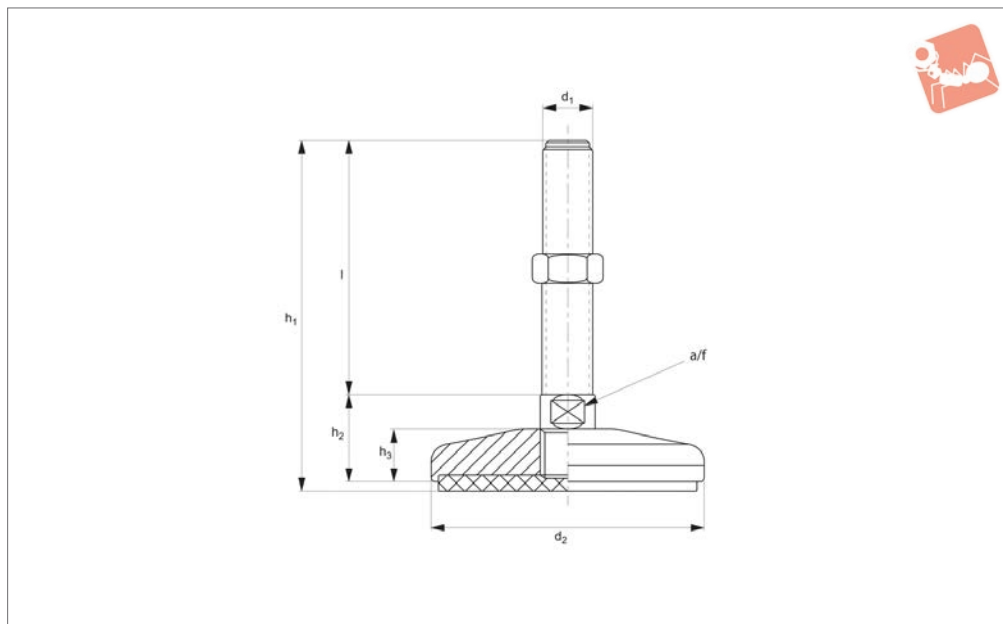
**Material**

Thread: steel, zinc plated.  
Pad: thermoplastic, black.

| Order No.   | d <sub>1</sub> | d <sub>2</sub> | d <sub>3</sub> | l <sub>1</sub> |
|-------------|----------------|----------------|----------------|----------------|
| 34640.W0018 | M 8            | 24             | 10             | 18             |



## 34650



### Material

Stainless steel (AISI 304), with rubber pad (70 Shore A).

Stainless steel (AISI 316) version available

on request.

### Technical Notes

Load values refer to static loads, located at

half the screw height.

When vibrations or dynamic loads are present these values should be reduced.

| Order No.   | d <sub>1</sub> | d <sub>2</sub> | l   | h <sub>1</sub> | h <sub>2</sub> | h <sub>3</sub> | A/F | Load kN max. |
|-------------|----------------|----------------|-----|----------------|----------------|----------------|-----|--------------|
| 34650.W1600 | M16            | 80             | 100 | 134.5          | 31.5           | 19             | 17  | 30           |
| 34650.W1601 | M16            | 80             | 150 | 184.5          | 31.5           | 19             | 17  | 30           |
| 34650.W1602 | M16            | 80             | 200 | 234.5          | 31.5           | 19             | 17  | 30           |
| 34650.W1603 | M16            | 100            | 100 | 136.0          | 33.0           | 20             | 20  | 40           |
| 34650.W1604 | M16            | 100            | 150 | 186.0          | 33.0           | 20             | 20  | 40           |
| 34650.W1605 | M16            | 100            | 200 | 236.0          | 33.0           | 20             | 20  | 40           |
| 34650.W2000 | M20            | 80             | 100 | 134.5          | 31.5           | 19             | 20  | 35           |
| 34650.W2001 | M20            | 80             | 150 | 184.5          | 31.5           | 19             | 20  | 35           |
| 34650.W2002 | M20            | 80             | 200 | 234.5          | 31.5           | 19             | 20  | 35           |
| 34650.W2003 | M20            | 80             | 225 | 259.5          | 31.5           | 19             | 20  | 35           |
| 34650.W2004 | M20            | 100            | 100 | 136.0          | 33.0           | 20             | 20  | 45           |
| 34650.W2005 | M20            | 100            | 150 | 186.0          | 33.0           | 20             | 20  | 45           |
| 34650.W2006 | M20            | 100            | 200 | 236.0          | 33.0           | 20             | 20  | 45           |
| 34650.W2007 | M20            | 100            | 250 | 286.0          | 33.0           | 20             | 20  | 45           |
| 34650.W2008 | M20            | 120            | 100 | 138.0          | 35.0           | 22             | 20  | 45           |
| 34650.W2009 | M20            | 120            | 150 | 188.0          | 35.0           | 22             | 20  | 45           |
| 34650.W2100 | M20            | 120            | 200 | 238.0          | 35.0           | 22             | 20  | 45           |
| 34650.W2101 | M20            | 120            | 250 | 288.0          | 35.0           | 22             | 20  | 45           |
| 34650.W2102 | M20            | 159            | 100 | 139.0          | 36.0           | 23             | 20  | 50           |
| 34650.W2103 | M20            | 159            | 150 | 189.0          | 36.0           | 23             | 20  | 50           |
| 34650.W2104 | M20            | 159            | 200 | 239.0          | 36.0           | 23             | 20  | 50           |
| 34650.W2105 | M20            | 159            | 250 | 289.0          | 36.0           | 23             | 20  | 50           |
| 34650.W2400 | M24            | 80             | 100 | 136.0          | 33.0           | 19             | 20  | 40           |
| 34650.W2401 | M24            | 80             | 150 | 186.0          | 33.0           | 19             | 20  | 40           |
| 34650.W2402 | M24            | 80             | 200 | 236.0          | 33.0           | 19             | 20  | 40           |
| 34650.W2403 | M24            | 80             | 225 | 261.0          | 33.0           | 19             | 20  | 40           |
| 34650.W2404 | M24            | 100            | 100 | 137.0          | 34.0           | 20             | 20  | 50           |
| 34650.W2405 | M24            | 100            | 150 | 187.0          | 34.0           | 20             | 20  | 50           |
| 34650.W2406 | M24            | 100            | 200 | 237.0          | 34.0           | 20             | 20  | 50           |
| 34650.W2407 | M24            | 100            | 250 | 287.0          | 34.0           | 20             | 20  | 50           |
| 34650.W2408 | M24            | 120            | 100 | 138.0          | 35.0           | 22             | 20  | 50           |
| 34650.W2409 | M24            | 120            | 150 | 188.0          | 35.0           | 22             | 20  | 50           |
| 34650.W2500 | M24            | 120            | 200 | 238.0          | 35.0           | 22             | 20  | 50           |



# Levelling Feet - Fixed Feet

stainless steel, heavy duty



## Levelling Feet

| Order No.          | d <sub>1</sub> | d <sub>2</sub> | l   | h <sub>1</sub> | h <sub>2</sub> | h <sub>3</sub> | A/F | Load<br>kN<br>max. |
|--------------------|----------------|----------------|-----|----------------|----------------|----------------|-----|--------------------|
| <b>34650.W2501</b> | M24            | 120            | 250 | 288.0          | 35.0           | 22             | 20  | 50                 |
| <b>34650.W2502</b> | M24            | 159            | 100 | 139.0          | 36.0           | 23             | 20  | 60                 |
| <b>34650.W2503</b> | M24            | 159            | 150 | 189.0          | 36.0           | 23             | 20  | 60                 |
| <b>34650.W2504</b> | M24            | 159            | 200 | 239.0          | 36.0           | 23             | 20  | 60                 |
| <b>34650.W2505</b> | M24            | 159            | 250 | 289.0          | 36.0           | 23             | 20  | 60                 |
| <b>34650.W3000</b> | M30            | 120            | 100 | 139.0          | 36.0           | 22             | 26  | 60                 |
| <b>34650.W3001</b> | M30            | 120            | 150 | 189.0          | 36.0           | 22             | 26  | 60                 |
| <b>34650.W3002</b> | M30            | 120            | 200 | 239.0          | 36.0           | 22             | 26  | 60                 |
| <b>34650.W3003</b> | M30            | 120            | 250 | 289.0          | 36.0           | 22             | 26  | 60                 |
| <b>34650.W3004</b> | M30            | 159            | 100 | 140.0          | 37.0           | 23             | 26  | 70                 |
| <b>34650.W3005</b> | M30            | 159            | 150 | 190.0          | 37.0           | 23             | 26  | 70                 |
| <b>34650.W3006</b> | M30            | 159            | 200 | 240.0          | 37.0           | 23             | 26  | 70                 |
| <b>34650.W3007</b> | M30            | 159            | 250 | 290.0          | 37.0           | 23             | 70  | 70                 |

LEVELLING FEET



## A Range of features to suit your application

### Product selection

To ensure you select the most suitable levelling feet for your application consider the following questions:

- Tilting or fixed?
- Material required - steel, stainless or plastic?
- Load carrying capacity - light, medium or heavy duty?  
(Review the quoted load capacities in the individual product tables).
- Bolt down feature required?
- Threaded or plastic insert required for mounting?
- Optional extras: hygiene seal, rubber pad, (subject to minimum quantity and selected model).

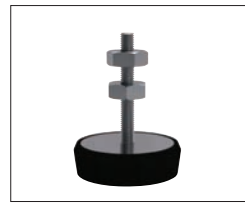
### Key types



Fixed feet



Articulating levelling feet



Machine mounts



Fulcrum screw

### Available features



Articulation



Standard nylon base



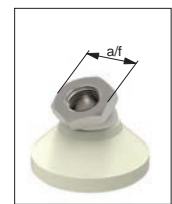
Anti-slip base



Bolt down base



Hygienic seal



Hex for easy installation

### Materials



Steel thread - Nylon base



Stainless thread - Nylon base



Steel thread - Steel base



Stainless thread - Stainless base

### Mounting inserts



Weldable insert



Hollow section insert



Hollow section bushed insert

### Additional technical information



▶ For applications under greater loads and requiring increased precision of adjustment see our range of Precision Height Adjusters.

▶ For applications exposed to extreme vibrations see our range of Anti-Vibration Mounts.

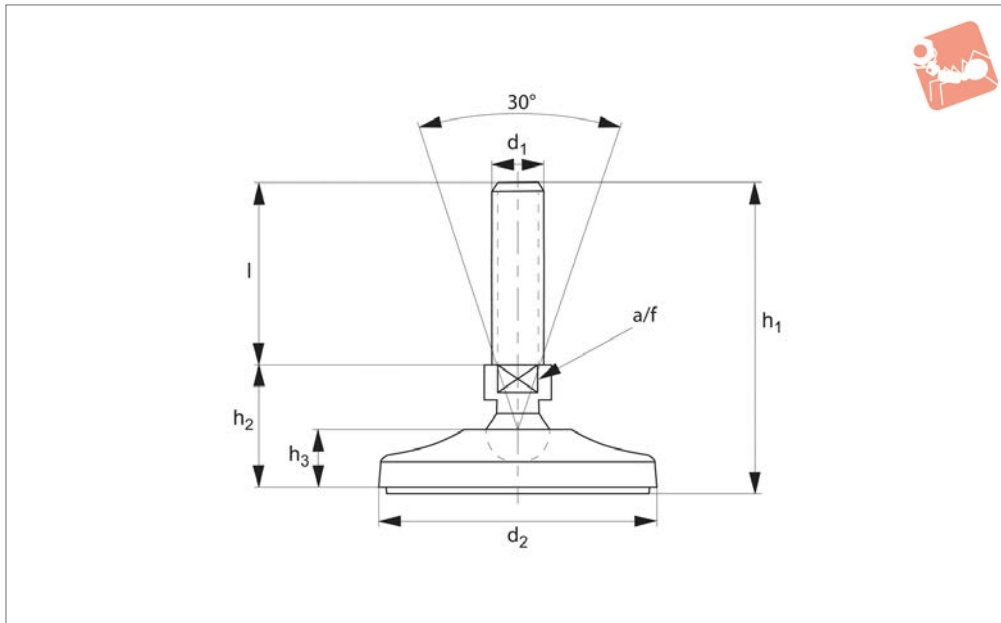




# Mini Levelling Feet

stainless steel, articulated

## Levelling Feet



**34614**

LEVELLING FEET

**Material**

Stainless steel (AISI 304), with rubber pad (70 Shore A).  
Stainless steel (AISI 316) version available

on request.

**Technical Notes**

Load values refer to static loads, located at

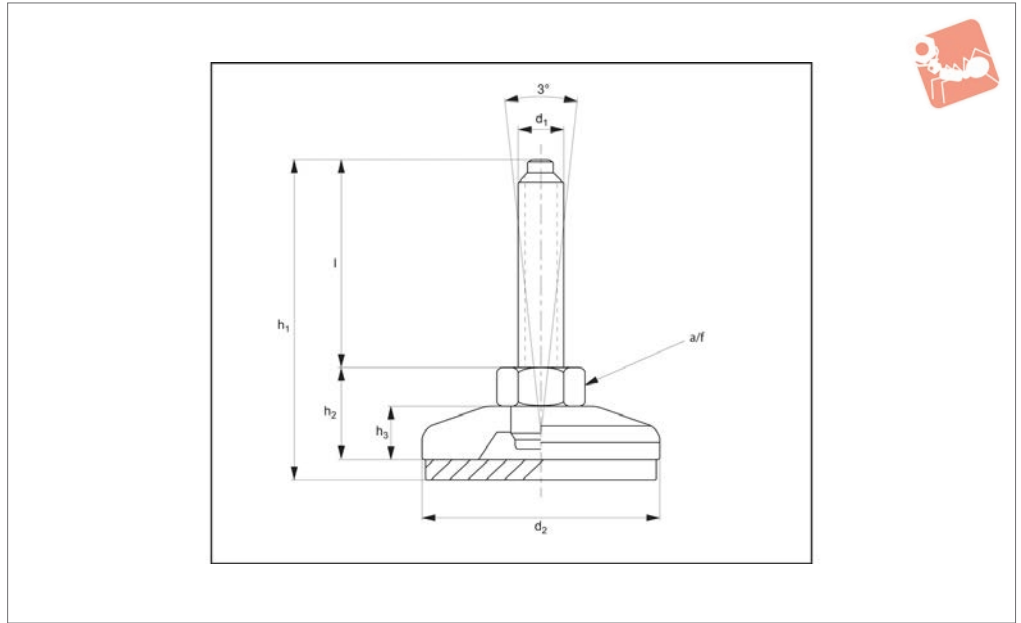
half the screw height.

When vibrations or dynamic loads are present these values should be reduced.

| Order No.   | d <sub>1</sub> | d <sub>2</sub> | l   | h <sub>1</sub> | h <sub>2</sub> | h <sub>3</sub> | A/F | Load kN max. |
|-------------|----------------|----------------|-----|----------------|----------------|----------------|-----|--------------|
| 34614.W0800 | M 8            | 40             | 25  | 53             | 25             | 14.5           | 12  | 10           |
| 34614.W0801 | M 8            | 40             | 50  | 78             | 25             | 14.5           | 12  | 10           |
| 34614.W0802 | M 8            | 40             | 75  | 103            | 25             | 14.5           | 12  | 10           |
| 34614.W0803 | M 8            | 40             | 100 | 128            | 25             | 14.5           | 12  | 10           |



## 34615



### Material

Stainless steel (AISI 304), with rubber pad (70 Shore A).  
Stainless steel (AISI 316) version available

on request.

### Technical Notes

Load values refer to static loads, located at

half the screw height.

When vibrations or dynamic loads are present these values should be reduced.

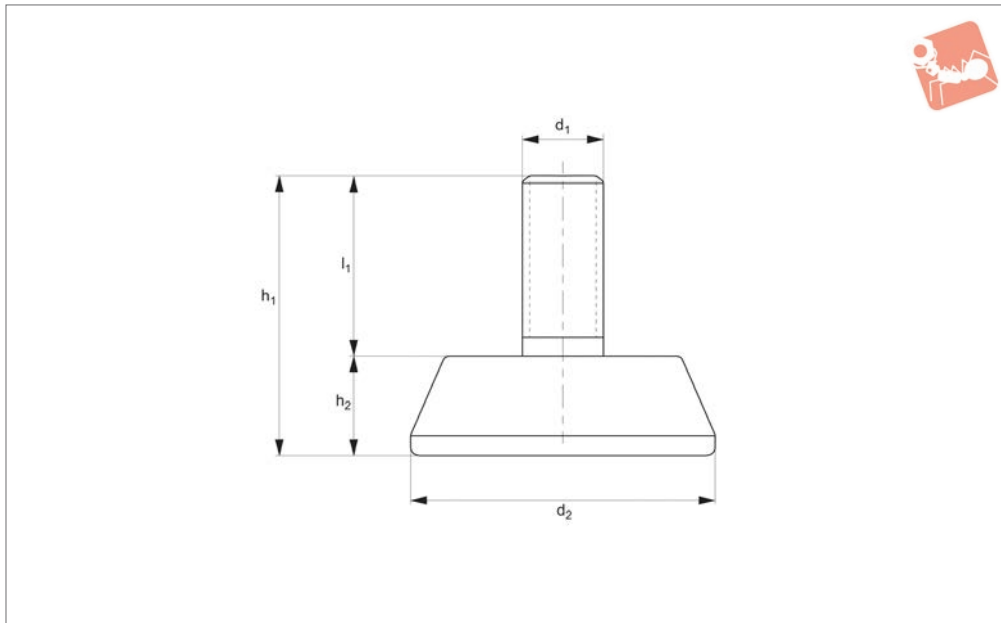
| Order No.   | d <sub>1</sub> | d <sub>2</sub> | l   | h <sub>1</sub> | h <sub>2</sub> | h <sub>3</sub> | A/F | Load kN max. |
|-------------|----------------|----------------|-----|----------------|----------------|----------------|-----|--------------|
| 34615.W0800 | M 8            | 40             | 25  | 42             | 14             | 8              | 14  | 9            |
| 34615.W0801 | M 8            | 40             | 50  | 67             | 14             | 8              | 14  | 9            |
| 34615.W1000 | M10            | 40             | 25  | 42             | 14             | 8              | 14  | 9            |
| 34615.W1001 | M10            | 40             | 50  | 67             | 14             | 8              | 14  | 9            |
| 34615.W1002 | M10            | 40             | 75  | 92             | 14             | 8              | 14  | 9            |
| 34615.W1200 | M12            | 40             | 50  | 67             | 14             | 8              | 14  | 9            |
| 34615.W1201 | M12            | 40             | 100 | 117            | 14             | 8              | 14  | 9            |



# Mini Levelling Feet

steel with plastic base

## Levelling Feet



**34616**

LEVELLING FEET

### Material

Galvanised steel stud with plastic base.

calculated at the half of the screw length.

In the presence of vibrations or dynamic loads these values should be reduced.

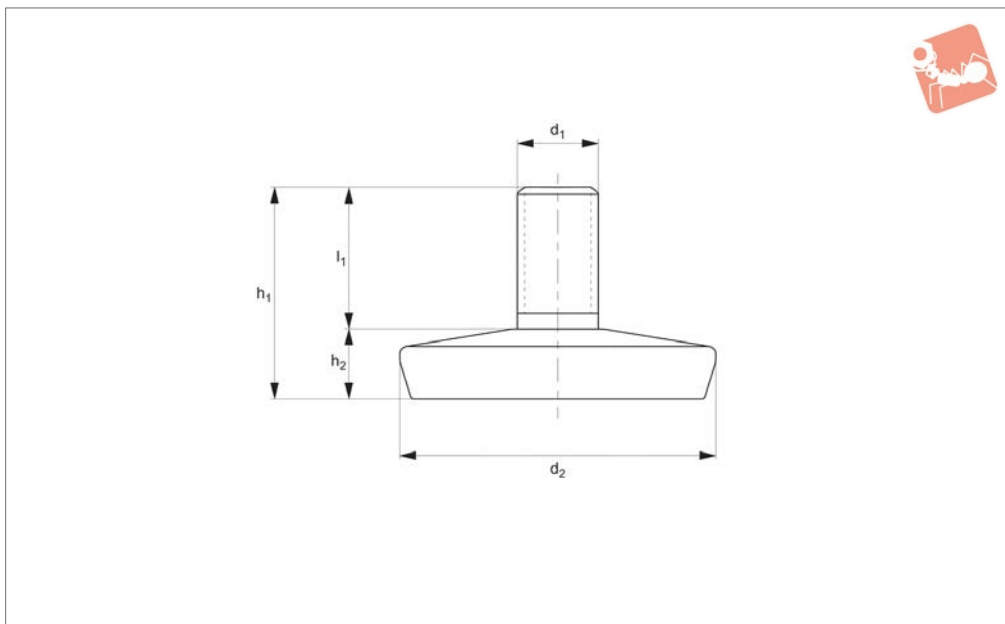
### Technical Notes

Load values shown are for static loads

| Order No.   | d <sub>1</sub> | d <sub>2</sub> | l <sub>1</sub> | h <sub>1</sub> | h <sub>2</sub> | Static load N |
|-------------|----------------|----------------|----------------|----------------|----------------|---------------|
| 34616.W0800 | M 8            | 30             | 20             | 31.5           | 11.5           | 2000          |
| 34616.W0801 | M 8            | 40             | 25             | 39.5           | 14.5           | 2500          |
| 34616.W0802 | M 8            | 40             | 25             | 41.0           | 16.0           | 1800          |
| 34616.W1000 | M10            | 30             | 20             | 31.5           | 11.5           | 2000          |
| 34616.W1001 | M10            | 40             | 25             | 39.5           | 14.5           | 2500          |
| 34616.W1002 | M10            | 50             | 35             | 52.0           | 17.0           | 3500          |
| 34616.W1003 | M10            | 40             | 25             | 41.0           | 16.0           | 2250          |
| 34616.W1200 | M12            | 50             | 35             | 52.0           | 17.0           | 3500          |
| 34616.W1201 | M12            | 60             | 35             | 52.0           | 17.0           | 4000          |
| 34616.W1202 | M12            | 40             | 25             | 41.0           | 16.0           | 3150          |



**34618**



**Material**

Galvanised steel stud with plastic base.

calculated at the half of the screw length.  
In the presence of vibrations or dynamic loads these values should be reduced.

**Technical Notes**

Load values shown are for static loads

| Order No.   | $d_1$ | $d_2$ | $l_1$ | $h_1$ | $h_2$ | Static load<br>N |
|-------------|-------|-------|-------|-------|-------|------------------|
| 34618.W0800 | M 8   | 40    | 20    | 30    | 10    | 3000             |
| 34618.W1000 | M10   | 40    | 20    | 30    | 10    | 3000             |

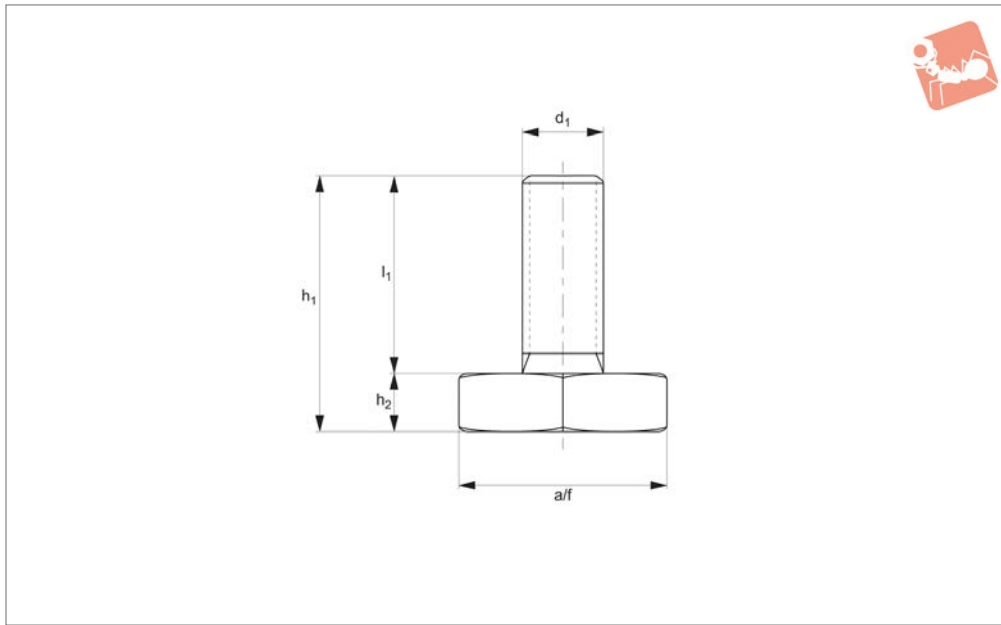




# Mini Levelling Feet

steel with hex. plastic base

## Levelling Feet



**34619**

LEVELLING FEET

### Material

Galvanised steel stud with hexagon plastic base.

### Technical Notes

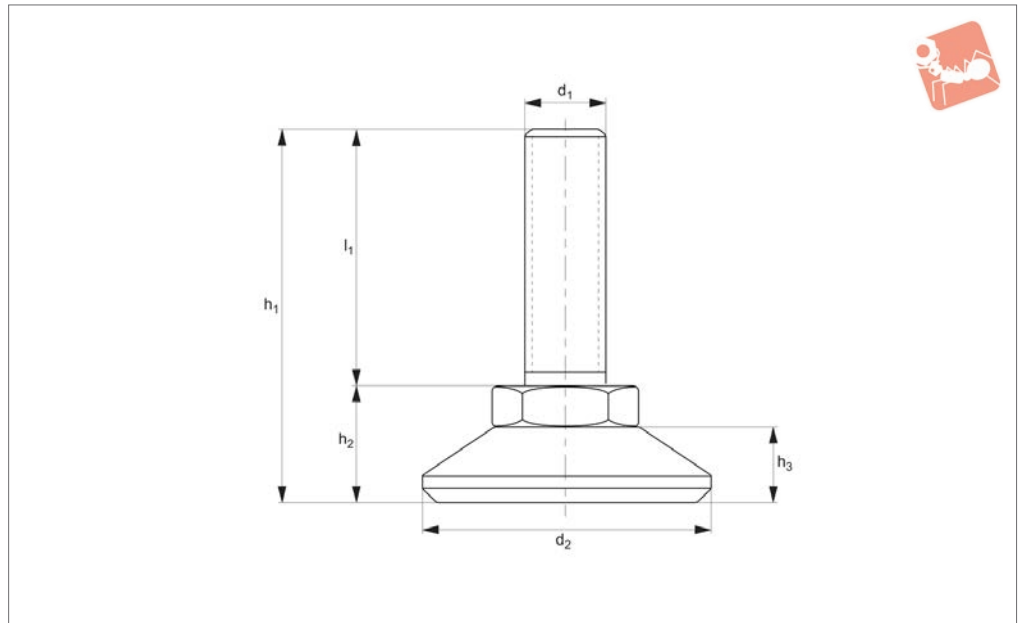
Load values shown are for static loads calculated at the half of the screw length.

In the presence of vibrations or dynamic loads these values should be reduced.

| Order No.   | $d_1$ | $l_1$ | $h_1$ | $h_2$ | A/F | Static load N |
|-------------|-------|-------|-------|-------|-----|---------------|
| 34619.W0800 | M 8   | 25    | 33    | 8     | 25  | 2500          |
| 34619.W0801 | M 8   | 35    | 43    | 8     | 25  | 2500          |
| 34619.W1000 | M10   | 25    | 33    | 8     | 25  | 2500          |
| 34619.W1001 | M10   | 35    | 43    | 8     | 25  | 2500          |



**34631**



**Material**

Galvanised steel stud with plastic base.

calculated at the half of the screw length.

In the presence of vibrations or dynamic loads these values should be reduced.

**Technical Notes**

Load values shown are for static loads

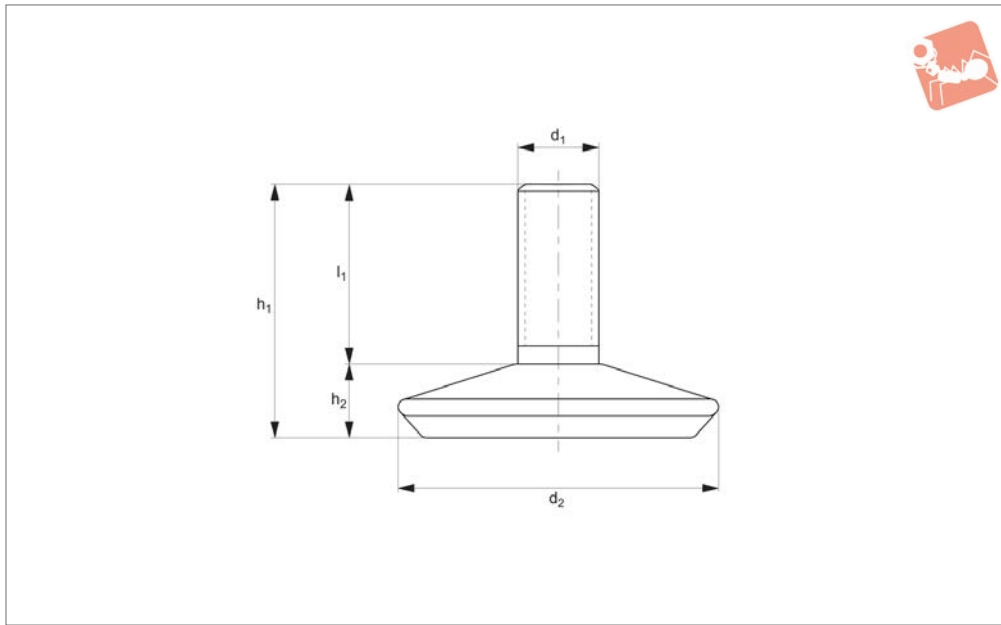
| Order No.   | d <sub>1</sub> | d <sub>2</sub> | l <sub>1</sub> | h <sub>1</sub> | h <sub>2</sub> | h <sub>3</sub> | Static load N |
|-------------|----------------|----------------|----------------|----------------|----------------|----------------|---------------|
| 34631.W1003 | M10            | 40             | 40             | 58.0           | 18.0           | 11.5           | 3500          |
| 34631.W1004 | M10            | 40             | 60             | 78.0           | 18.0           | 11.5           | 3500          |
| 34631.W1005 | M10            | 50             | 40             | 60.0           | 20.0           | 13.5           | 4500          |
| 34631.W1006 | M10            | 50             | 60             | 80.0           | 20.0           | 13.5           | 4500          |
| 34631.W1000 | M10            | 26             | 10             | 26.5           | 16.5           | 11.5           | 1500          |
| 34631.W1001 | M10            | 26             | 20             | 36.5           | 16.5           | 11.5           | 1500          |
| 34631.W1002 | M10            | 26             | 30             | 46.5           | 16.5           | 11.5           | 1500          |



# Mini Levelling Feet

steel with plastic base

## Levelling Feet



**34641**

LEVELLING FEET

### Material

Galvanised steel stud with plastic base, with chromate case.

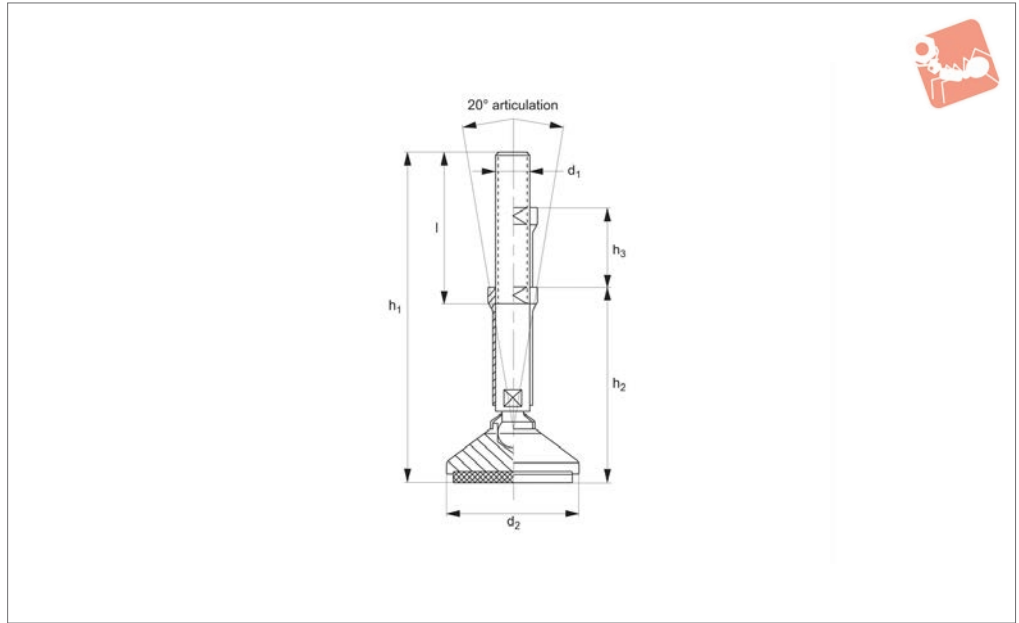
### Technical Notes

When vibrations or dynamic loads are present these values should be reduced.

| Order No.   | d <sub>1</sub> | d <sub>2</sub> | l  | h <sub>1</sub> | h <sub>2</sub> | Static load N |
|-------------|----------------|----------------|----|----------------|----------------|---------------|
| 34641.W0600 | M 6            | 20             | 13 | 20.0           | 7.0            | 1000          |
| 34641.W0800 | M 8            | 25             | 20 | 30.0           | 10.0           | 1500          |
| 34641.W0801 | M 8            | 30             | 20 | 31.5           | 11.5           | 2000          |
| 34641.W0802 | M 8            | 40             | 25 | 38.5           | 13.5           | 2800          |
| 34641.W1000 | M10            | 25             | 20 | 30.0           | 10.0           | 1500          |
| 34641.W1001 | M10            | 30             | 20 | 31.5           | 11.5           | 2000          |
| 34641.W1002 | M10            | 40             | 25 | 38.5           | 13.5           | 2800          |
| 34641.W1003 | M10            | 50             | 30 | 45.5           | 15.5           | 3800          |
| 34641.W1200 | M12            | 50             | 30 | 50.5           | 15.5           | 3800          |



**34770**



**Material**

Bolt and shroud nut: AISI 304 stainless steel.

Pad: AISI 304 stainless steel, with inset nitrile pad.

Seal: nitrile rubber.

**Technical Notes**

Nut shroud is used to cover the exposed

threaded section of the machine mount, and hence prevents areas of contamination. In addition the rubber seal between base and bolt adds to the ease of cleaning.

**Tips**

Specifically designed for food & drink, pharmaceutical & clean room applications where hygiene is of prime importance and

ingress of materials is to be minimised.

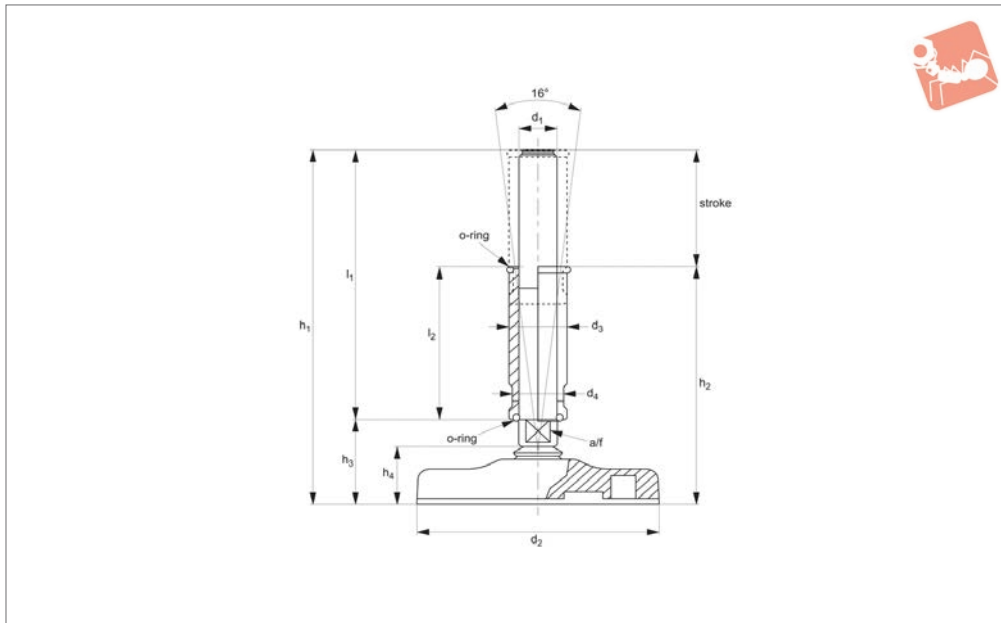
| Order No.   | d <sub>1</sub> | l  | d <sub>2</sub> | h <sub>1</sub> | Height h <sub>2</sub><br>min. | Shroud adj. h <sub>3</sub><br>max. | Static load<br>kN<br>max. |
|-------------|----------------|----|----------------|----------------|-------------------------------|------------------------------------|---------------------------|
| 34770.W0120 | M12            | 68 | 55             | 124            | 70                            | 25                                 | 7.5                       |
| 34770.W0121 | M12            | 92 | 55             | 174            | 95                            | 50                                 | 7.5                       |
| 34770.W0160 | M16            | 68 | 75             | 130            | 75                            | 50                                 | 17.5                      |
| 34770.W0162 | M16            | 92 | 75             | 180            | 100                           | 50                                 | 17.5                      |
| 34770.W0200 | M20            | 68 | 100            | 136            | 85                            | 25                                 | 25.0                      |
| 34770.W0201 | M20            | 92 | 100            | 186            | 110                           | 50                                 | 25.0                      |



# Hygienic Levelling Feet

stainless steel, with plastic base

## Levelling Feet



**34771**

LEVELLING FEET

### Material

Base: polyamide base.  
Screw: stainless steel 304.

### Technical Notes

Nut shroud is used to cover the exposed threaded section of the levelling foot, and hence prevents areas of contamination. In

addition the rubber seal between base and bolt adds to the ease of cleaning.

Load values shown are for static loads calculated at the half of the screw length. In the presence of vibrations or dynamic loads these values should be reduced.

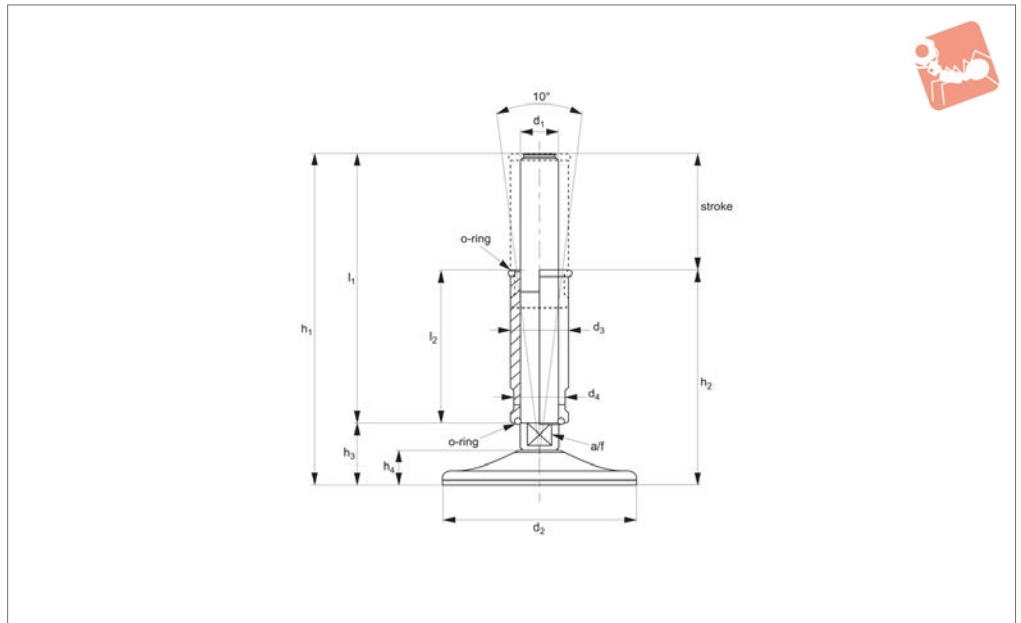
### Tips

Specifically designed for food & drink, pharmaceutical & clean room applications where hygiene is of prime importance and ingress of materials is to be minimised.

| Order No.          | Stroke | d <sub>1</sub> | d <sub>2</sub> | d <sub>3</sub> | d <sub>4</sub> | l <sub>1</sub> | l <sub>2</sub> | h <sub>1</sub> | h <sub>2</sub> | h <sub>3</sub> | A/F | Static load<br>kN |
|--------------------|--------|----------------|----------------|----------------|----------------|----------------|----------------|----------------|----------------|----------------|-----|-------------------|
| <b>34771.W2000</b> | 65mm   | M20            | 103            | 30             | 26             | 150            | 85             | 193            | 128            | 43             | 17  | 20                |
| <b>34771.W2001</b> | 65mm   | M20            | 123            | 30             | 26             | 150            | 85             | 195            | 130            | 45             | 20  | 30                |
| <b>34771.W2400</b> | 65mm   | M24            | 103            | 35             | 30             | 150            | 85             | 194            | 129            | 44             | 17  | 20                |
| <b>34771.W2401</b> | 65mm   | M24            | 123            | 35             | 30             | 150            | 85             | 196            | 131            | 46             | 20  | 30                |
| <b>34771.W3000</b> | 65mm   | M30            | 123            | 42             | 36             | 150            | 85             | 197            | 132            | 47             | 26  | 30                |



## 34772



LEVELLING FEET

### Material

Base: stainless steel with vulcanized rubber pad.

Screw: stainless steel 304.

### Technical Notes

Nut shroud is used to cover the exposed threaded section of the levelling feet, and

hence prevents areas of contamination. In addition the rubber seal between base and bolt adds to the ease of cleaning.

Load values shown are for static loads calculated at the half of the screw length. In the presence of vibrations or dynamic

loads these values should be reduced.

### Tips

Specifically designed for food & drink, pharmaceutical & clean room applications where hygiene is of prime importance and ingress of materials is to be minimised.

| Order No.   | Stroke | d <sub>1</sub> | d <sub>2</sub> | d <sub>3</sub> | d <sub>4</sub> | l <sub>1</sub> | l <sub>2</sub> | h <sub>1</sub> | h <sub>2</sub> | h <sub>3</sub> | h <sub>4</sub> | A/F | Static load kN |
|-------------|--------|----------------|----------------|----------------|----------------|----------------|----------------|----------------|----------------|----------------|----------------|-----|----------------|
| 34772.W1600 | 40mm   | M16            | 60             | 24             | 20             | 125            | 65             | 160            | 95             | 35             | 22.0           | 17  | 7              |
| 34772.W1601 | 65mm   | M16            | 60             | 24             | 20             | 150            | 85             | 185            | 120            | 35             | 22.0           | 17  | 7              |
| 34772.W1602 | 40mm   | M16            | 80             | 24             | 20             | 125            | 65             | 163            | 98             | 38             | 22.0           | 17  | 10             |
| 34772.W1603 | 65mm   | M16            | 80             | 24             | 20             | 150            | 85             | 188            | 123            | 38             | 25.0           | 17  | 10             |
| 34772.W1604 | 65mm   | M16            | 100            | 24             | 20             | 150            | 85             | 193            | 128            | 43             | 25.0           | 17  | 15             |
| 34772.W1605 | 65mm   | M16            | 120            | 24             | 20             | 150            | 85             | 195            | 130            | 45             | 25.0           | 17  | 30             |
| 34772.W1606 | 40mm   | M16            | 75             | 24             | 20             | 125            | 65             | 153            | 88             | 28             | 25.0           | 13  | 20             |
| 34772.W1607 | 65mm   | M16            | 100            | 24             | 20             | 150            | 85             | 187            | 122            | 37             | 30.0           | 17  | 30             |
| 34772.W2000 | 65mm   | M20            | 60             | 30             | 26             | 150            | 85             | 185            | 120            | 35             | 30.0           | 17  | 7              |
| 34772.W2001 | 65mm   | M20            | 80             | 30             | 26             | 150            | 85             | 188            | 123            | 38             | 30.0           | 17  | 10             |
| 34772.W2002 | 65mm   | M20            | 80             | 30             | 26             | 200            | 85             | 238            | 173            | 38             | 30.0           | 17  | 10             |
| 34772.W2003 | 65mm   | M20            | 100            | 30             | 26             | 150            | 85             | 193            | 128            | 43             | 30.0           | 17  | 15             |
| 34772.W2004 | 65mm   | M20            | 100            | 30             | 26             | 200            | 85             | 243            | 178            | 43             | 30.0           | 17  | 15             |
| 34772.W2005 | 65mm   | M20            | 120            | 30             | 26             | 150            | 85             | 195            | 130            | 45             | 30.0           | 17  | 30             |
| 34772.W2006 | 65mm   | M20            | 120            | 30             | 26             | 200            | 85             | 245            | 180            | 45             | 32.0           | 17  | 30             |
| 34772.W2007 | 65mm   | M20            | 100            | 30             | 26             | 150            | 85             | 187            | 122            | 37             | 32.0           | 17  | 30             |
| 34772.W2008 | 65mm   | M20            | 100            | 30             | 26             | 200            | 85             | 237            | 172            | 37             | 32.0           | 17  | 30             |
| 34772.W2009 | 65mm   | M20            | 120            | 30             | 26             | 150            | 85             | 187            | 122            | 37             | 32.0           | 17  | 40             |
| 34772.W2010 | 65mm   | M20            | 120            | 30             | 26             | 200            | 85             | 237            | 172            | 37             | 32.0           | 17  | 40             |
| 34772.W2011 | 65mm   | M20            | 150            | 30             | 26             | 150            | 85             | 189            | 124            | 39             | 32.0           | 17  | 50             |
| 34772.W2012 | 65mm   | M20            | 150            | 30             | 26             | 200            | 85             | 239            | 174            | 39             | 32.0           | 17  | 50             |
| 34772.W2400 | 65mm   | M24            | 100            | 35             | 30             | 150            | 85             | 194            | 129            | 44             | 18.0           | 20  | 15             |
| 34772.W2401 | 65mm   | M24            | 100            | 35             | 30             | 200            | 85             | 244            | 179            | 44             | 22.0           | 20  | 15             |
| 34772.W2402 | 65mm   | M24            | 120            | 35             | 30             | 150            | 85             | 196            | 131            | 46             | 22.0           | 20  | 30             |
| 34772.W2403 | 65mm   | M24            | 120            | 35             | 30             | 200            | 85             | 246            | 181            | 46             | 22.0           | 20  | 30             |
| 34772.W2404 | 65mm   | M24            | 100            | 35             | 30             | 150            | 85             | 188            | 123            | 38             | 22.0           | 20  | 30             |
| 34772.W2405 | 65mm   | M24            | 100            | 35             | 30             | 200            | 85             | 238            | 173            | 38             | 22.0           | 26  | 30             |
| 34772.W2406 | 65mm   | M24            | 120            | 35             | 30             | 150            | 85             | 188            | 123            | 38             | 22.0           | 20  | 40             |
| 34772.W2407 | 65mm   | M24            | 120            | 35             | 30             | 200            | 85             | 238            | 173            | 38             | 22.0           | 20  | 40             |
| 34772.W2408 | 65mm   | M24            | 150            | 35             | 30             | 150            | 85             | 190            | 125            | 40             | 22.0           | 20  | 50             |



# Hygienic Levelling Feet

stainless steel, with rubber pad



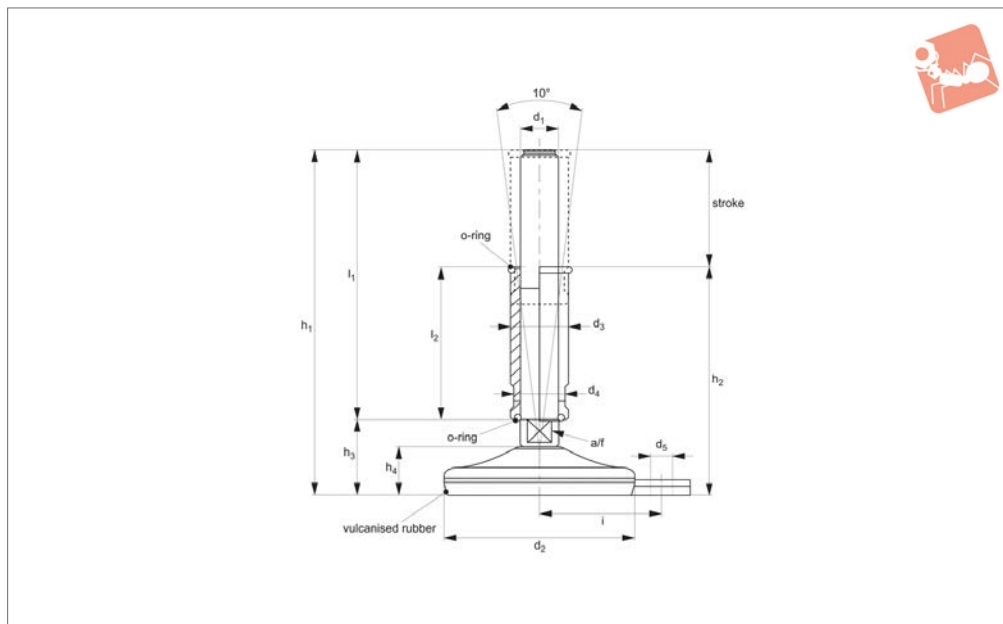
## Levelling Feet

| Order No.          | Stroke | d <sub>1</sub> | d <sub>2</sub> | d <sub>3</sub> | d <sub>4</sub> | l <sub>1</sub> | l <sub>2</sub> | h <sub>1</sub> | h <sub>2</sub> | h <sub>3</sub> | h <sub>4</sub> | A/F | Static load<br>kN |
|--------------------|--------|----------------|----------------|----------------|----------------|----------------|----------------|----------------|----------------|----------------|----------------|-----|-------------------|
| <b>34772.W2409</b> | 65mm   | M24            | 150            | 35             | 30             | 200            | 85             | 240            | 175            | 40             | 22.0           | 20  | 50                |
| <b>34772.W3000</b> | 65mm   | M30            | 100            | 42             | 36             | 150            | 85             | 195            | 130            | 45             | 22.0           | 26  | 15                |
| <b>34772.W3001</b> | 65mm   | M30            | 100            | 42             | 36             | 200            | 85             | 245            | 180            | 45             | 22.0           | 26  | 15                |
| <b>34772.W3002</b> | 65mm   | M30            | 120            | 42             | 36             | 150            | 85             | 197            | 132            | 47             | 22.0           | 26  | 30                |
| <b>34772.W3003</b> | 65mm   | M30            | 120            | 42             | 36             | 200            | 85             | 247            | 182            | 47             | 22.0           | 26  | 30                |
| <b>34772.W3004</b> | 65mm   | M30            | 100            | 42             | 36             | 150            | 85             | 189            | 124            | 39             | 24.5           | 26  | 30                |
| <b>34772.W3005</b> | 65mm   | M30            | 100            | 42             | 36             | 200            | 85             | 239            | 174            | 39             | 24.5           | 26  | 30                |
| <b>34772.W3006</b> | 65mm   | M30            | 120            | 42             | 36             | 150            | 85             | 189            | 124            | 39             | 24.5           | 26  | 40                |
| <b>34772.W3007</b> | 65mm   | M30            | 120            | 42             | 36             | 200            | 85             | 239            | 174            | 39             | 24.5           | 26  | 40                |
| <b>34772.W3008</b> | 65mm   | M30            | 150            | 42             | 36             | 150            | 85             | 191            | 126            | 41             | 24.5           | 26  | 50                |
| <b>34772.W3009</b> | 65mm   | M30            | 150            | 42             | 36             | 200            | 85             | 241            | 176            | 41             | 24.5           | 26  | 50                |

LEVELLING FEET



**34775**



**Material**

Base: stainless steel 304 with vulcanized rubber pad.

Screw: stainless steel 304.

**Technical Notes**

Nut shroud is used to cover the exposed threaded section of the levelling feet, and

hence prevents areas of contamination. In addition the rubber seal between base and bolt adds to the ease of cleaning.

Load values shown are for static loads calculated at the half of the screw length. In the presence of vibrations or dynamic

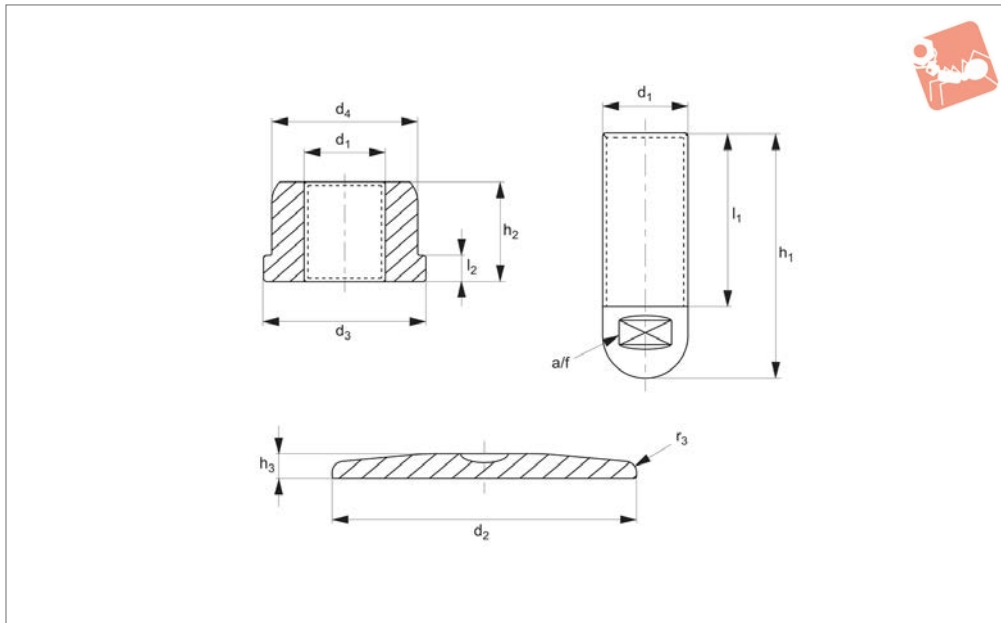
loads these values should be reduced.

**Tips**

Specifically designed for food & drink, pharmaceutical & clean room applications where hygiene is of prime importance and ingress of materials is to be minimised.

| Order No.   | Stroke | d <sub>1</sub> | d <sub>2</sub> | d <sub>3</sub> | d <sub>4</sub> | l <sub>1</sub> | l <sub>2</sub> | h <sub>1</sub> | h <sub>2</sub> | h <sub>3</sub> | h <sub>4</sub> | i  | A/F | Static load kN |
|-------------|--------|----------------|----------------|----------------|----------------|----------------|----------------|----------------|----------------|----------------|----------------|----|-----|----------------|
| 34775.W1600 | 40mm   | M16            | 60             | 24             | 20             | 125            | 65             | 160            | 95             | 35             | 22             | 45 | 17  | 7              |
| 34775.W1601 | 65mm   | M16            | 60             | 24             | 20             | 150            | 85             | 185            | 120            | 35             | 22             | 45 | 17  | 7              |
| 34775.W1602 | 40mm   | M16            | 80             | 24             | 20             | 125            | 65             | 163            | 98             | 38             | 25             | 54 | 17  | 10             |
| 34775.W1603 | 65mm   | M16            | 80             | 24             | 20             | 150            | 85             | 188            | 123            | 38             | 25             | 54 | 17  | 10             |
| 34775.W1604 | 65mm   | M16            | 100            | 24             | 20             | 150            | 85             | 193            | 128            | 43             | 30             | 69 | 17  | 15             |
| 34775.W2000 | 65mm   | M20            | 60             | 30             | 26             | 150            | 85             | 185            | 120            | 35             | 22             | 45 | 17  | 7              |
| 34775.W2001 | 65mm   | M20            | 80             | 30             | 26             | 150            | 85             | 188            | 123            | 38             | 25             | 54 | 17  | 10             |
| 34775.W2002 | 65mm   | M20            | 80             | 30             | 26             | 200            | 85             | 238            | 173            | 38             | 25             | 54 | 17  | 10             |
| 34775.W2003 | 65mm   | M20            | 100            | 30             | 26             | 150            | 85             | 193            | 128            | 43             | 30             | 69 | 17  | 15             |
| 34775.W2004 | 65mm   | M20            | 100            | 30             | 26             | 200            | 85             | 243            | 178            | 43             | 30             | 69 | 17  | 15             |
| 34775.W2400 | 65mm   | M24            | 100            | 35             | 30             | 150            | 85             | 194            | 129            | 44             | 30             | 69 | 20  | 15             |
| 34775.W2401 | 65mm   | M24            | 100            | 35             | 30             | 200            | 85             | 244            | 179            | 44             | 30             | 69 | 20  | 15             |
| 34775.W3000 | 65mm   | M30            | 100            | 42             | 36             | 150            | 85             | 195            | 130            | 45             | 30             | 69 | 26  | 15             |
| 34775.W3001 | 65mm   | M30            | 100            | 42             | 36             | 200            | 85             | 245            | 180            | 45             | 30             | 69 | 26  | 15             |





## 34777

LEVELLING FEET

### Material

Stainless steel 304

pharmaceutical and food industry in respect of the strictest hygienic regulations.

calculated at the half of the screw length. In the presence of vibrations or dynamic loads these values should be reduced.

### Technical Notes

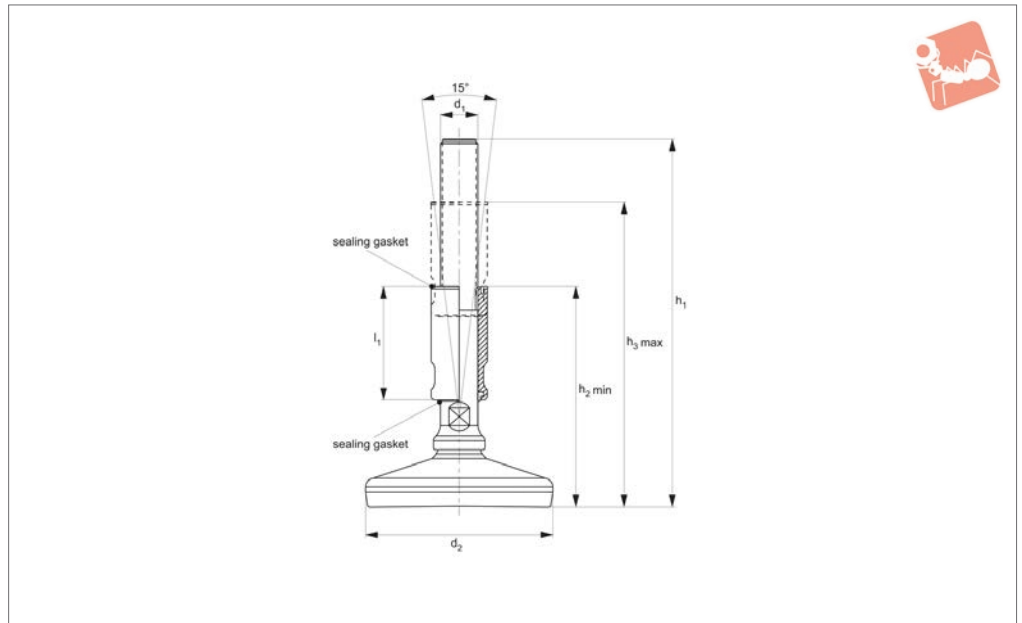
Levelling system planned for dairy, phar-

Load values shown are for static loads

| Order No.   | d <sub>1</sub> | d <sub>2</sub> | d <sub>3</sub> | d <sub>4</sub> | l <sub>1</sub> | l <sub>2</sub> | h <sub>1</sub> | h <sub>2</sub> | h <sub>3</sub> | A/F | Static load kN |
|-------------|----------------|----------------|----------------|----------------|----------------|----------------|----------------|----------------|----------------|-----|----------------|
| 34777.W2000 | M20            | 80             | 60             | 54             | 70             | 8              | 100            | 25             | 10             | 17  | 35             |
| 34777.W2400 | M24            | 100            | 60             | 54             | 70             | 10             | 100            | 40             | 10             | 20  | 70             |
| 34777.W3000 | M30            | 120            | 60             | 54             | 70             | 10             | 100            | 40             | 10             | 26  | 80             |
| 34777.W3001 | M30            | 120            | 80             | 75             | 100            | 10             | 140            | 25             | 10             | 26  | 80             |
| 34777.W4000 | M40            | 150            | 60             | 54             | 100            | 10             | 140            | 50             | 15             | 36  | 120            |
| 34777.W4001 | M40            | 200            | 60             | 54             | 100            | 10             | 140            | 50             | 15             | 36  | 120            |



**34778**



**Material**

Stainless steel AISI 304.  
Blue gasket: silicone.  
Pad: vulcanised nitrile rubber.

**Technical Notes**

Nut shroud is used to cover the exposed threaded section of the machine mount,

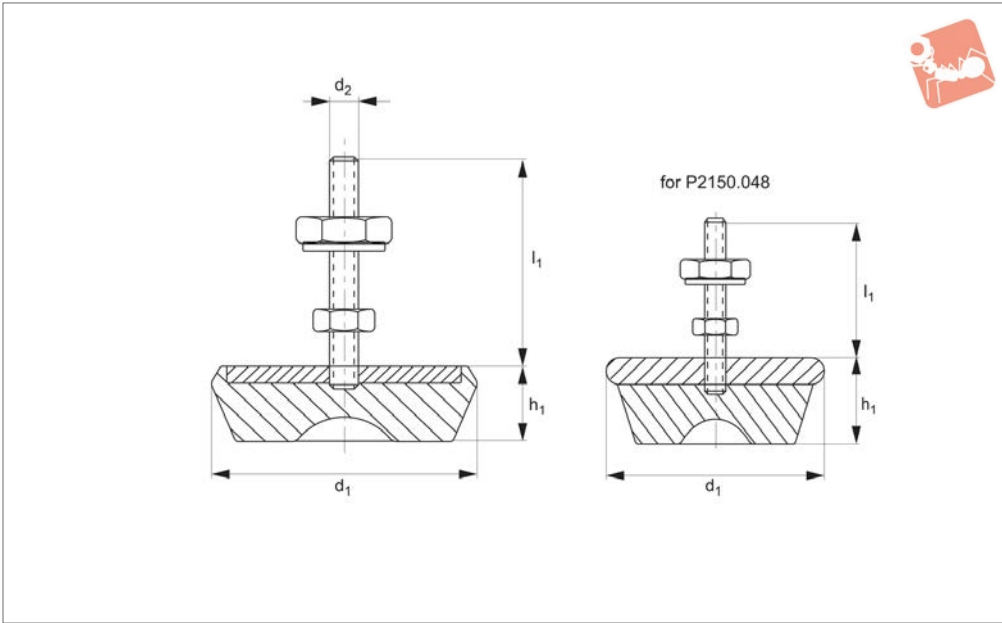
and hence prevents contamination. Use a spanner to adjust this shroud height  $h_2$  and  $h_3$ , using spanner size detailed in the table.

**Tips**

Made to the high „3A“ standard. This ensures it meets the high standards

required for use in food, beverage, pharmaceutical and medical applications. Hygienically designed for effective and easy cleaning, corrosion resistant, non-toxic. Design precludes contamination by dirt, food particles and organic matter.

| Order No.          | $d_1$ | $d_2$ | $l_1$ | $h_1$ | For spanner size | Shroud adj. $h_2$<br>min. | Shroud adj. $h_3$<br>max. | Static load<br>kN<br>max. |
|--------------------|-------|-------|-------|-------|------------------|---------------------------|---------------------------|---------------------------|
| <b>34778.W1620</b> | M16   | 120   | 60    | 200   | 13               | 121                       | 166                       | 30                        |
| <b>34778.W1625</b> | M16   | 120   | 85    | 250   | 13               | 146                       | 216                       | 30                        |
| <b>34778.W2020</b> | M20   | 120   | 60    | 200   | 17               | 121                       | 166                       | 30                        |
| <b>34778.W2025</b> | M20   | 120   | 85    | 250   | 17               | 146                       | 216                       | 30                        |
| <b>34778.W2420</b> | M24   | 120   | 60    | 200   | 20               | 121                       | 166                       | 30                        |
| <b>34778.W2425</b> | M24   | 120   | 85    | 250   | 20               | 146                       | 216                       | 30                        |



**34900**

MACHINE MOUNTS

**Material**

Steel body with silver zinc plated thread.  
Synthetic rubber pad (65-70 Shore A) with

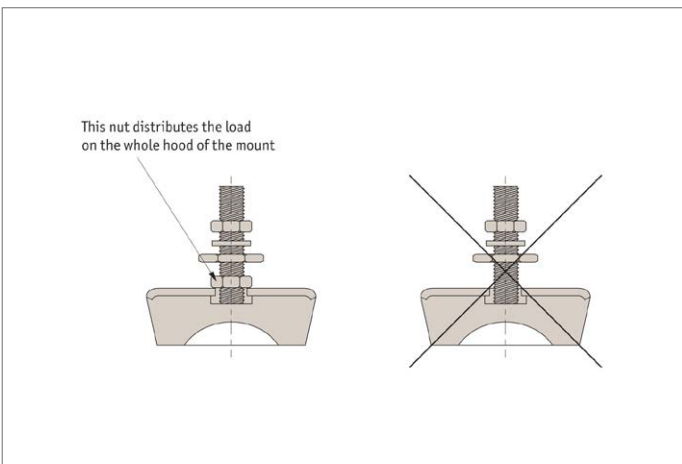
anti-slide cavity.

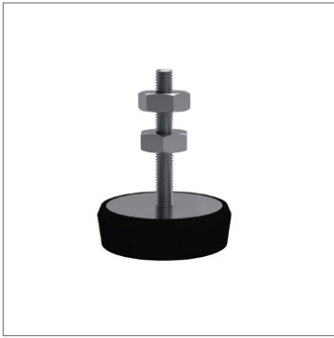
vibrations and for irregular floors.

**Technical Notes**

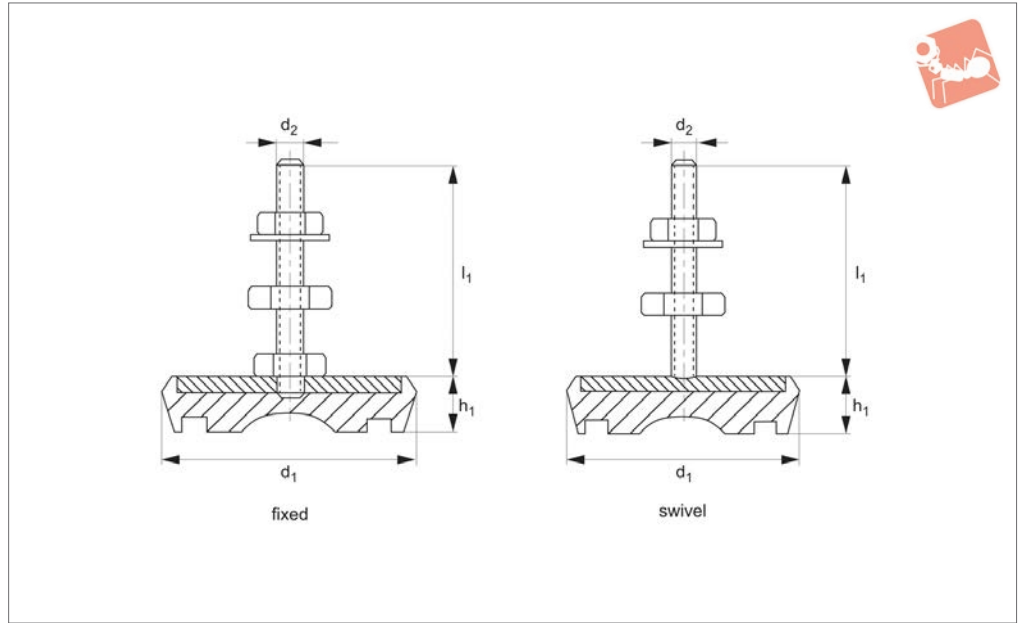
Suitable for machinery with low frequency

| Order No.   | d <sub>1</sub> | h <sub>1</sub> | d <sub>2</sub> | l <sub>1</sub> | Load range<br>kgf |
|-------------|----------------|----------------|----------------|----------------|-------------------|
| 34900.W0048 | 48             | 23             | M 8            | 40             | 0-80              |
| 34900.W0060 | 60             | 25             | M10            | 83             | 50-120            |
| 34900.W0075 | 75             | 30             | M12            | 90             | 80-150            |
| 34900.W0090 | 90             | 33             | M12            | 90             | 120-300           |
| 34900.W0105 | 105            | 38             | M16            | 110            | 250-500           |
| 34900.W0125 | 125            | 45             | M16            | 110            | 400-800           |
| 34900.W0150 | 150            | 55             | M16            | 110            | 600-1000          |
| 34900.W0170 | 170            | 57             | M16            | 110            | 1000-1600         |
| 34900.W0187 | 187            | 70             | M20            | 115            | 1400-2400         |
| 34900.W0210 | 210            | 75             | M20            | 115            | 2000-3500         |





34910



**Material**

Steel body with zinc plated thread.  
Synthetic rubber base (65 Shore A), with anti-slide cavity.

**Technical Notes**

Suitable for medium and high frequency

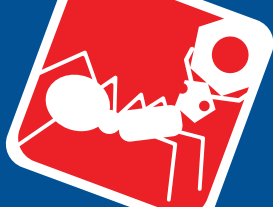
vibrations and with smooth floors.

**Tips**

For inclined floors use the swivel base versions (M12 and M16).  
The swivel base versions have a separate screw which rests in the concave cup on the

top portion of the foot body.

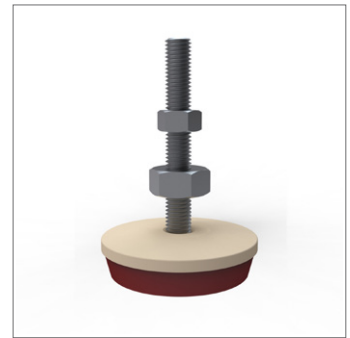
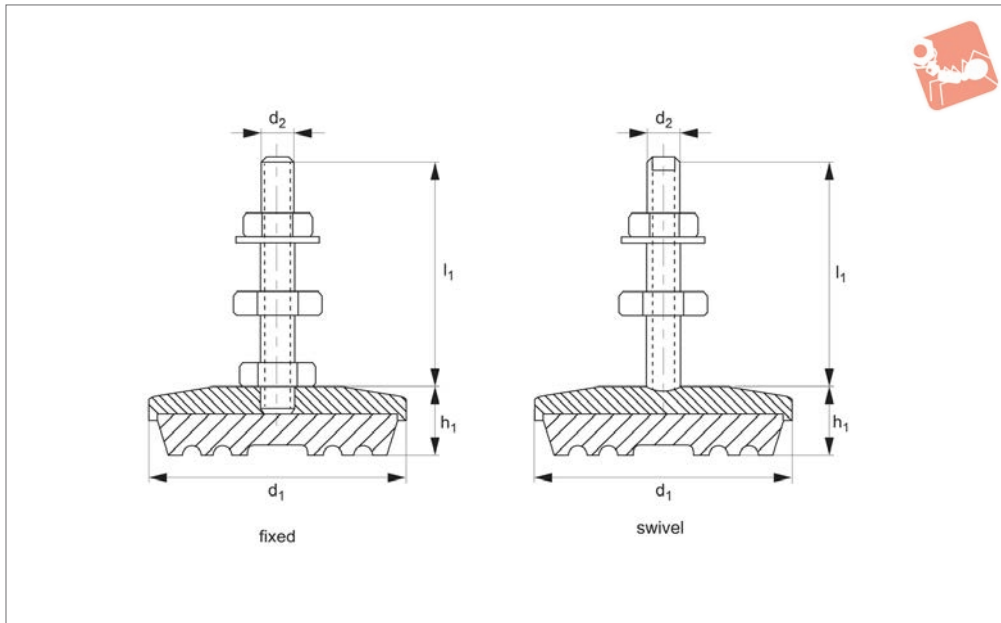
| Order No.   | Style  | d <sub>1</sub> | h <sub>1</sub> | d <sub>2</sub> | l <sub>1</sub> | Load range kgf |
|-------------|--------|----------------|----------------|----------------|----------------|----------------|
| 34910.W0040 | Fixed  | 40             | 15             | M 8            | 40             | 0-60           |
| 34910.W0063 | Fixed  | 63             | 18             | M10            | 83             | 30-100         |
| 34910.W0070 | Fixed  | 70             | 22             | M12            | 90             | 80-150         |
| 34910.W0090 | Fixed  | 90             | 25             | M12            | 90             | 100-350        |
| 34910.W0106 | Fixed  | 106            | 29             | M16            | 110            | 300-600        |
| 34910.W0127 | Fixed  | 127            | 33             | M16            | 110            | 500-900        |
| 34910.W0150 | Fixed  | 150            | 39             | M16            | 110            | 800-1500       |
| 34910.W0170 | Fixed  | 170            | 42             | M16            | 110            | 1300-2000      |
| 34910.W0370 | Swivel | 70             | 22             | M12            | 90             | 80-150         |
| 34910.W0390 | Swivel | 90             | 26             | M12            | 90             | 100-350        |
| 34910.W0406 | Swivel | 106            | 32             | M16            | 110            | 300-600        |
| 34910.W0427 | Swivel | 127            | 33             | M16            | 110            | 500-900        |
| 34910.W0450 | Swivel | 150            | 39             | M16            | 110            | 800-1500       |
| 34910.W0470 | Swivel | 170            | 42             | M16            | 110            | 1300-2000      |



# Heavy Duty Machine Mounts

polyurethane base

## Machine Mounts



**34930**

MACHINE MOUNTS

### Material

Steel (GGG-40) coated body with zinc plated thread. Polyurethane base (65-90 Shore A).

deflection and maximum adherence due to shape of base.

Resistant to water, oil, high and low temperatures, abrasions and shocks.

tions where there is high risk of deterioration due to oil and other substances.

Also available in stainless steel - see product number 34990.

### Technical Notes

High resistance machine mounts, little

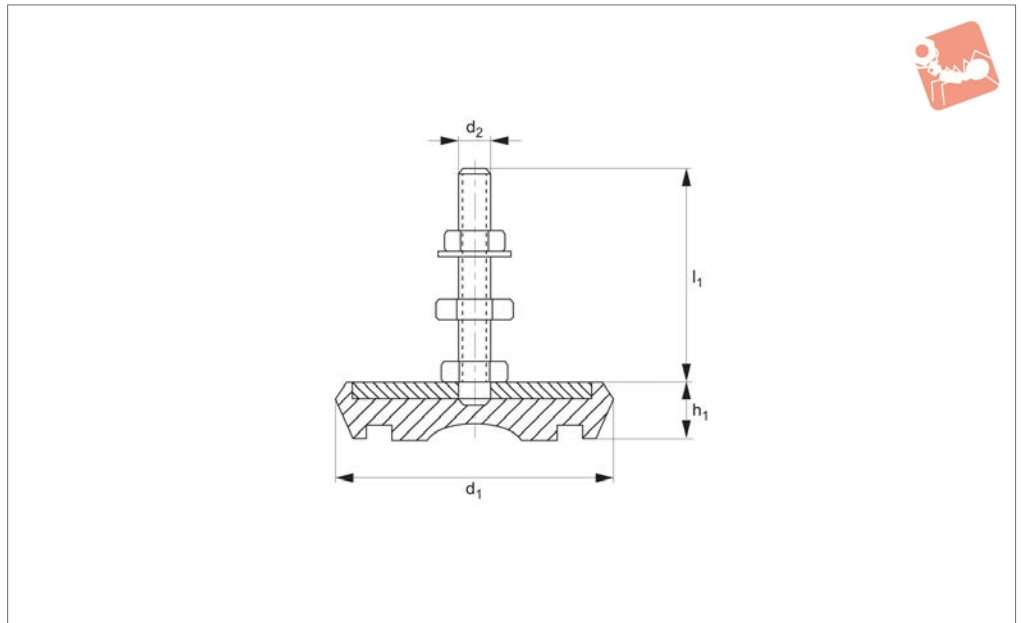
### Tips

Suitable for heavy machining and condi-

| Order No.   | Style  | d <sub>1</sub> | h <sub>1</sub> | d <sub>2</sub> | l <sub>1</sub> | Load range<br>kgf |
|-------------|--------|----------------|----------------|----------------|----------------|-------------------|
| 34930.W0065 | Fixed  | 65             | 22             | M12            | 90             | 200-800           |
| 34930.W0100 | Fixed  | 100            | 30             | M16            | 110            | 800-2000          |
| 34930.W0120 | Fixed  | 120            | 33             | M20            | 120            | 2000-4000         |
| 34930.W0180 | Fixed  | 180            | 40             | M20            | 115            | 4000-6000         |
| 34930.W0217 | Fixed  | 217            | 52             | M24            | 145            | 5000-10000        |
| 34930.W0400 | Swivel | 100            | 30             | M16            | 95             | 500-2000          |
| 34930.W0420 | Swivel | 120            | 33             | M20            | 120            | 2000-4000         |
| 34930.W0480 | Swivel | 180            | 40             | M20            | 130            | 4000-6000         |
| 34930.W0617 | Swivel | 217            | 52             | M24            | 150            | 5000-10000        |



34980



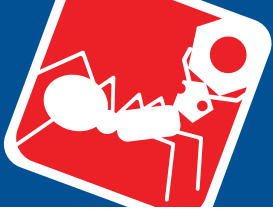
**Material**

Stainless steel body and thread (A2, AISI 304), with rubber base (65 Shore A).

**Technical Notes**

Suitable for medium and high frequency vibrations and with smooth floors.

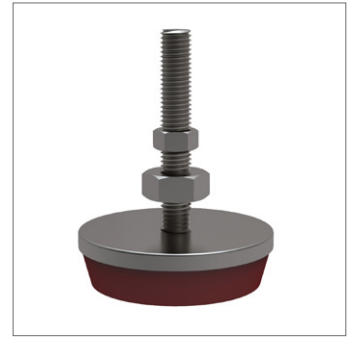
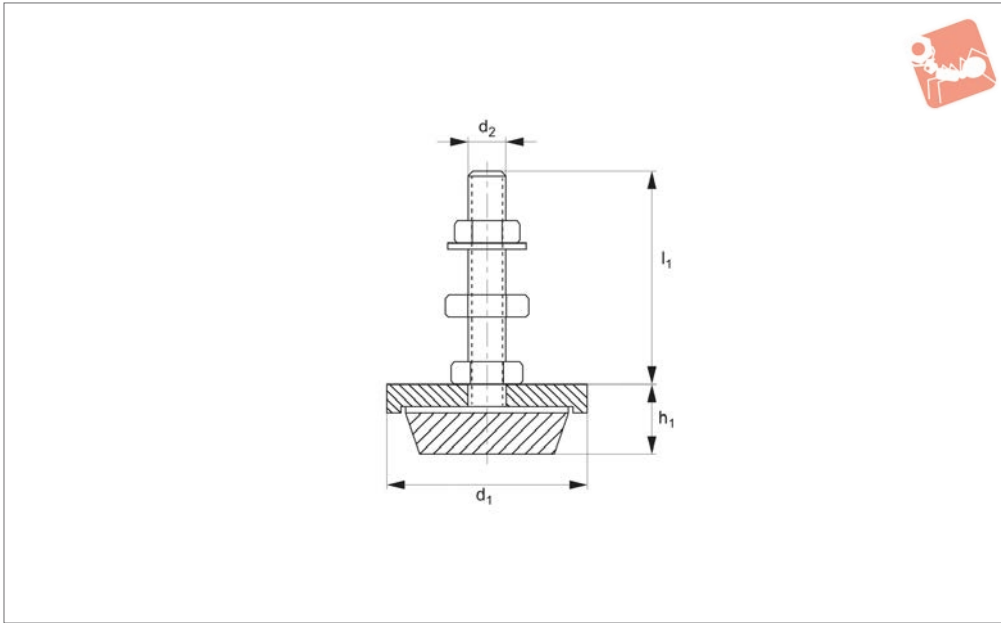
| Order No.   | $d_1$ | $h_1$ | $d_2$ | $l_1$ | Load range<br>kgf |
|-------------|-------|-------|-------|-------|-------------------|
| 34980.W0040 | 40    | 15    | M 8   | 40    | 0-60              |
| 34980.W0063 | 63    | 18    | M10   | 83    | 30-100            |
| 34980.W0070 | 70    | 22    | M12   | 90    | 80-150            |
| 34980.W0090 | 90    | 25    | M12   | 90    | 100-350           |
| 34980.W0106 | 106   | 29    | M16   | 110   | 300-600           |
| 34980.W0127 | 127   | 33    | M16   | 110   | 500-900           |
| 34980.W0150 | 150   | 39    | M16   | 110   | 800-1500          |
| 34980.W0170 | 170   | 42    | M16   | 110   | 1300-2000         |



# Stainless Machine Mounts

polyurethane base

## Machine Mounts



**34990**

MACHINE MOUNTS

### Material

Stainless steel body and thread (A2, AISI 304), with hard polyurethane base (80 Shore A).

### Technical Notes

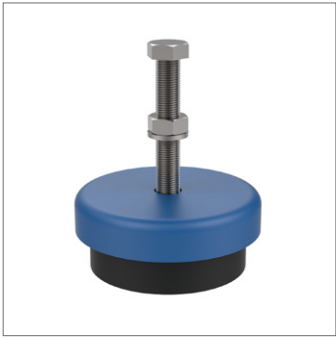
Ideally suited for food and pharmaceutical

applications. The hard polyurethane base is resistant to aggressive oils and chemicals.

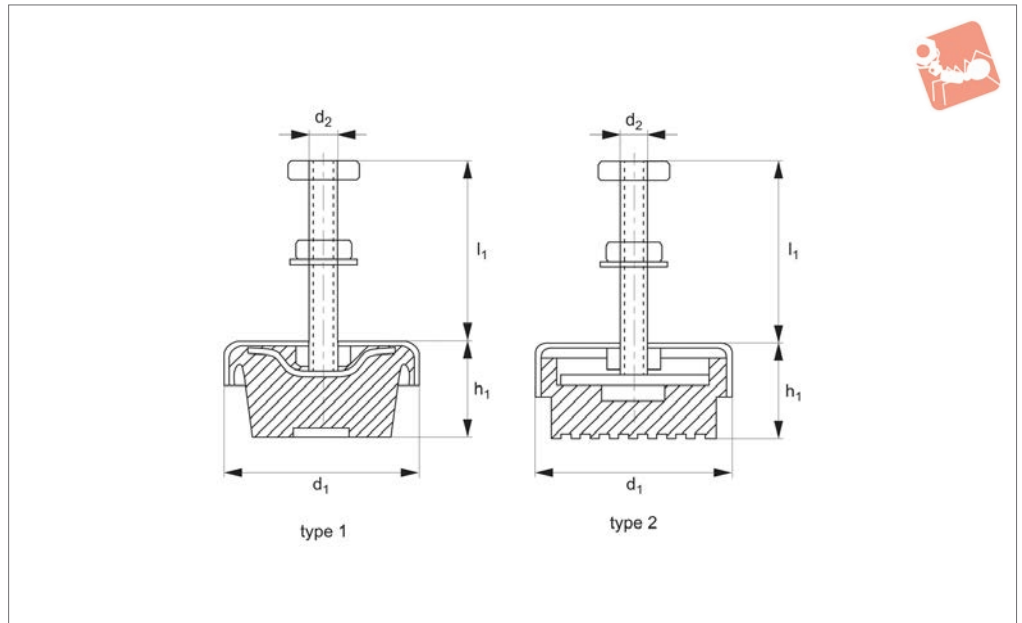
### Tips

The polyurethane base 80 Shore A also ensures very heavy load carrying capacity.

| Order No.   | $d_1$ | $h_1$ | $d_2$ | $l_1$ | Load range<br>kgf |
|-------------|-------|-------|-------|-------|-------------------|
| 34990.W0120 | 120   | 33    | M16   | 110   | 2000-4000         |



34940



**Material**

Coated steel body with special bowl shape to protect against corrosion. Synthetic rubber base (75 Shore A).

**Technical Notes**

Provides long life and outstanding stability.

Great adherence to the floor, due to excellent grip property. Quick and easy to install - for machine levelling.

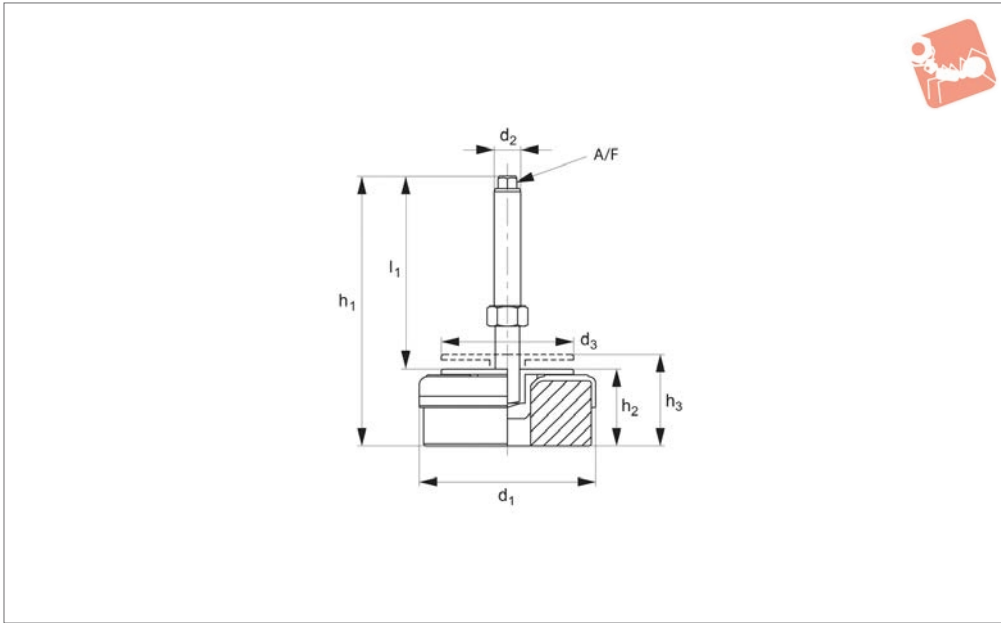
**Tips**

Suitable for heavy machinery with strong vibration/impact such as plastic injection

moulding machines, presses, guillotines etc.

| Order No.   | Type   | d <sub>1</sub> | h <sub>1</sub> | d <sub>2</sub> | l <sub>1</sub> | Load range kgf |
|-------------|--------|----------------|----------------|----------------|----------------|----------------|
| 34940.W0050 | Type 1 | 50             | 24             | M 8            | 40             | 0-100          |
| 34940.W0075 | Type 1 | 75             | 35             | M10            | 65             | 100-350        |
| 34940.W0085 | Type 2 | 85             | 40             | M12            | 80             | 350-600        |
| 34940.W0090 | Type 2 | 90             | 49             | M16            | 100            | 600-900        |
| 34940.W0125 | Type 2 | 125            | 52             | M16            | 115            | 1000-2500      |
| 34940.W0170 | Type 2 | 170            | 57             | M20            | 110            | 2500-4000      |





## 34950

MACHINE MOUNTS

**Material**

Galvanized steel, with rubber pad (90 Shore A).

**Technical Notes**

Provides great levelling accuracy, with its

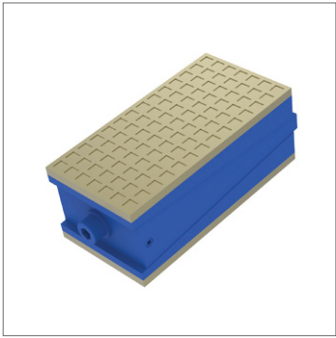
fine pitch thread. Can take very high horizontal loads.

**Tips**

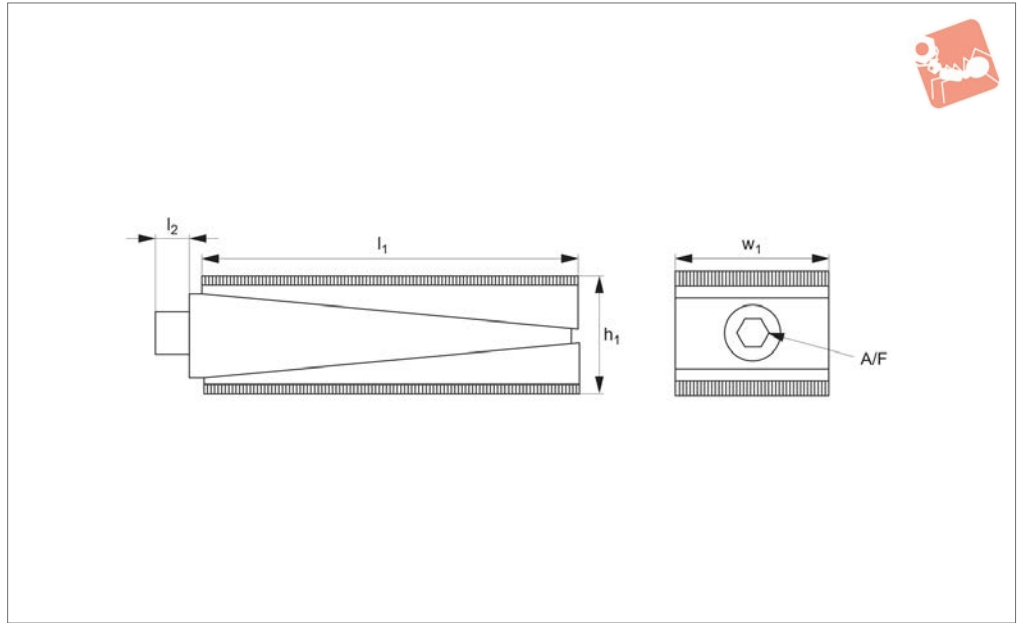
Suitable for heavy machinery with strong vibration/impacts, such as plastic injection

moulding machines, presses, guillotines etc. Do not raise higher than the max height ( $h_3$ ).

| Order No.          | $d_1$ | $h_1$ | $d_2$    | $d_3$ | $l_1$ | $h_2$ | $h_3$ | A/F | Dynamic load<br>kgf | Static load<br>kgf |
|--------------------|-------|-------|----------|-------|-------|-------|-------|-----|---------------------|--------------------|
| <b>34950.W0080</b> | 80    | 130   | M12x1,25 | 54    | 90    | 40    | 50    | 8   | 250                 | 500                |
| <b>34950.W0120</b> | 120   | 130   | M16x1,5  | 80    | 85    | 45    | 58    | 12  | 400                 | 1000               |
| <b>34950.W0160</b> | 160   | 190   | M20x1,5  | 102   | 136   | 54    | 68    | 15  | 900                 | 2000               |
| <b>34950.W0200</b> | 200   | 195   | M20x1,5  | 102   | 136   | 60    | 75    | 15  | 1500                | 3500               |



34960



**Material**

Cast body, coated, with rubber base (65 Shore A) or harder polyurethane base (90 Shore A).

heavy loads. Adjustment by means of allen key on side.  
Adjustment is  $\pm 5\text{mm}$  or  $\pm 10\text{mm}$  depending on version selected - see table.

**Tips**

The rubber base versions have lower load carrying capacity but are less expensive than the polyurethane versions.  
Studded version available on the website.

**Technical Notes**

For leveling and vibration dampening of

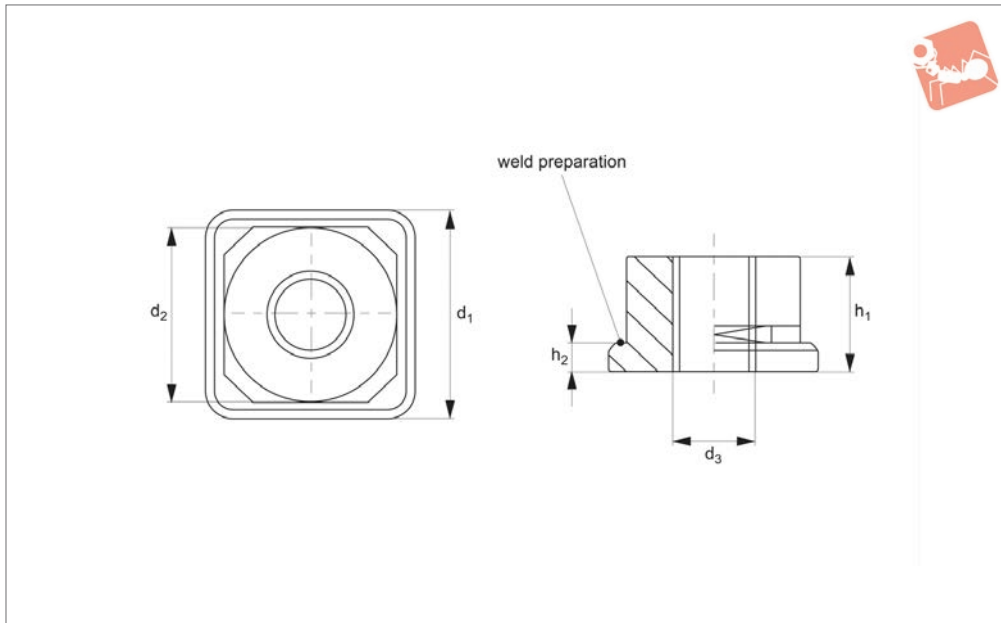
| Order No.   | $h_1$       | $l_1$ | $w_1$ | $l_2$ | A/F | Base material | Load range<br>kgf |
|-------------|-------------|-------|-------|-------|-----|---------------|-------------------|
| 34960.W0150 | $60 \pm 5$  | 150   | 75    | 12    | 12  | Rubber        | 500 - 1000        |
| 34960.W0151 | $60 \pm 5$  | 150   | 75    | 12    | 12  | Polyurethane  | 700 - 2500        |
| 34960.W0220 | $70 \pm 10$ | 200   | 100   | 12    | 12  | Rubber        | 1500 - 3000       |
| 34960.W0221 | $70 \pm 10$ | 200   | 100   | 12    | 12  | Polyurethane  | 3000 - 6000       |



# Weldable Threaded Insert

stainless steel

# Threaded Frame Inserts



**34670**

THREADED FRAME INSERTS

### Material

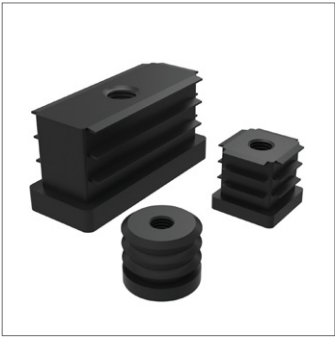
Stainless steel AISI 303.

### Technical Notes

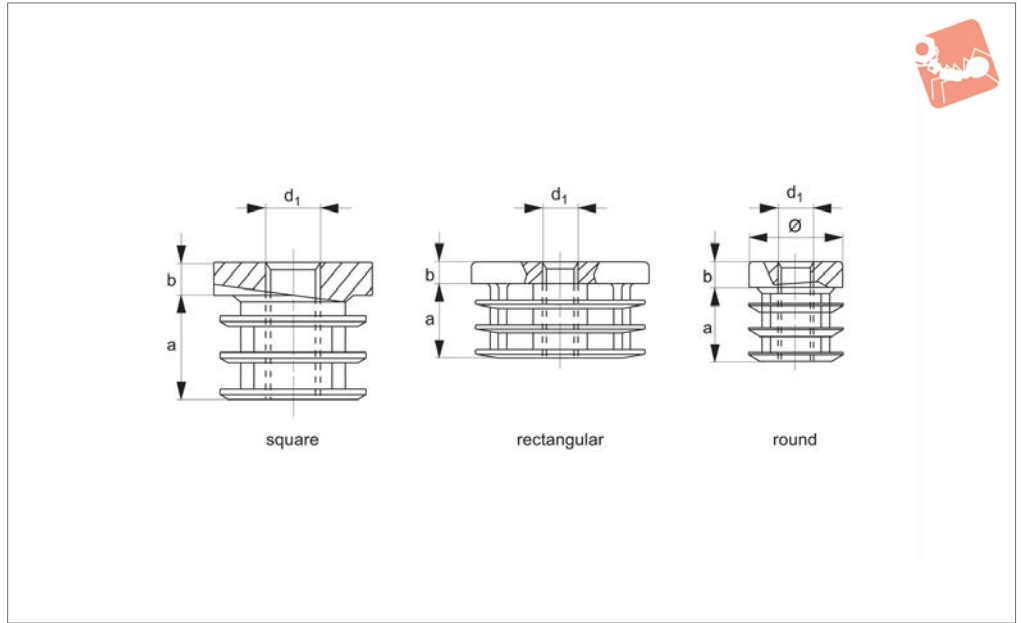
Ideal for fixing levelling feet to boxed section.

| Order No.          | Section size | Outerbox d <sub>1</sub> (sq) | Innerbox d <sub>2</sub> | d <sub>3</sub> | h <sub>1</sub> | h <sub>2</sub> | Load capacity for static load<br>kg<br>max. |
|--------------------|--------------|------------------------------|-------------------------|----------------|----------------|----------------|---|
| <b>34670.W0030</b> | 30x30x2,0    | 30                           | 26                      | M12            | 12             | 4              | 1500  |
| <b>34670.W0032</b> | 30x30x3,0    | 30                           | 24                      | M12            | 12             | 4              | 1500  |
| <b>34670.W0033</b> | 30x30x3,0    | 30                           | 24                      | M16            | 16             | 4              | 2000  |
| <b>34670.W0040</b> | 40x40x2,0    | 40                           | 36                      | M16            | 16             | 5              | 2000  |
| <b>34670.W0041</b> | 40x40x2,0    | 40                           | 36                      | M20            | 20             | 5              | 3000  |
| <b>34670.W0042</b> | 40x40x3,0    | 40                           | 34                      | M16            | 16             | 5              | 2000  |
| <b>34670.W0043</b> | 40x40x3,0    | 40                           | 34                      | M20            | 20             | 5              | 3000  |
| <b>34670.W0050</b> | 50x50x2,0    | 50                           | 46                      | M16            | 16             | 6              | 2000  |
| <b>34670.W0051</b> | 50x50x2,0    | 50                           | 46                      | M20            | 20             | 6              | 3000  |
| <b>34670.W0053</b> | 50x50x3,0    | 50                           | 44                      | M16            | 16             | 6              | 2000  |
| <b>34670.W0054</b> | 50x50x3,0    | 50                           | 44                      | M20            | 20             | 6              | 3000  |
| <b>34670.W0055</b> | 50x50x3,0    | 50                           | 44                      | M24            | 24             | 6              | 4000  |





**34680**



**Material**

Thermoplastic, black. Moulded thread.

**Tips**

M 8 available on request, subject to minimum order quantity.

**Technical Notes**

For use with fixed feet.

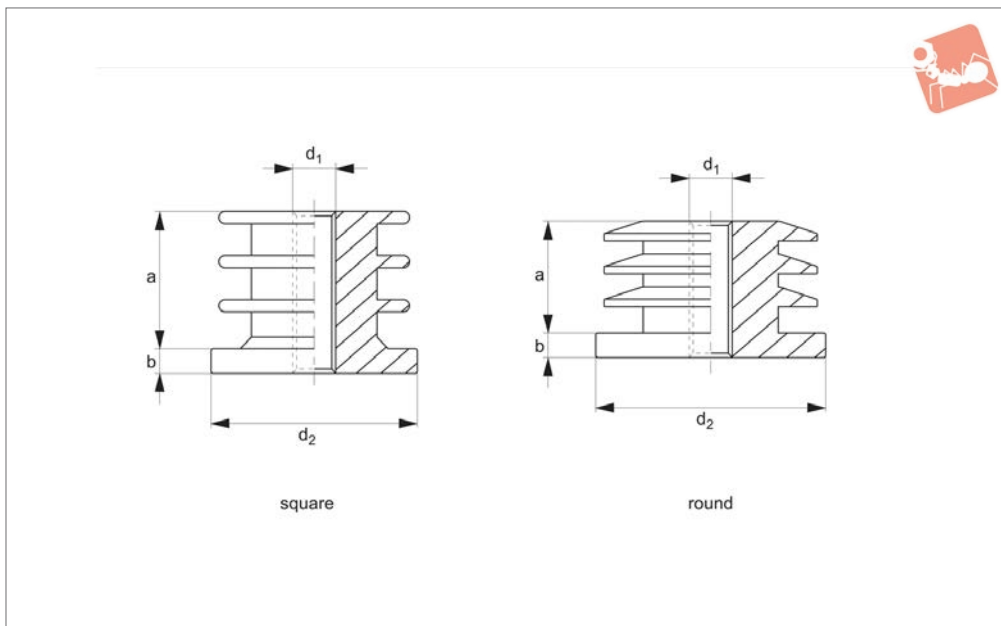
| Order No.   | Type        | Tube size mm | d <sub>1</sub> | a  | b |
|-------------|-------------|--------------|----------------|----|---|
| 34680.W0015 | Square      | 15x15        | M 8            | 18 | 5 |
| 34680.W0016 | Square      | 16x16        | M 8            | 18 | 5 |
| 34680.W0018 | Square      | 18x18        | M10            | 18 | 5 |
| 34680.W0020 | Square      | 20x20        | M10            | 18 | 5 |
| 34680.W0022 | Square      | 22x22        | M10            | 18 | 5 |
| 34680.W0025 | Square      | 25x25        | M10            | 19 | 5 |
| 34680.W0030 | Square      | 30x30        | M10            | 20 | 6 |
| 34680.W0035 | Square      | 35x35        | M10            | 21 | 6 |
| 34680.W0040 | Square      | 40x40        | M10            | 22 | 6 |
| 34680.W0050 | Square      | 50x50        | M10            | 30 | 6 |
| 34680.W0130 | Rectangular | 20x30        | M10            | 19 | 6 |
| 34680.W0135 | Rectangular | 20x35        | M10            | 18 | 6 |
| 34680.W0140 | Rectangular | 20x40        | M10            | 19 | 6 |
| 34680.W0150 | Rectangular | 20x50        | M10            | 19 | 6 |
| 34680.W0160 | Rectangular | 20x60        | M10            | 19 | 6 |
| 34680.W0170 | Rectangular | 25x50        | M10            | 22 | 6 |
| 34680.W0218 | Round       | Ø 18         | M10            | 18 | 6 |
| 34680.W0220 | Round       | Ø 20         | M10            | 18 | 6 |
| 34680.W0222 | Round       | Ø 22         | M10            | 19 | 6 |
| 34680.W0225 | Round       | Ø 25         | M10            | 19 | 6 |
| 34680.W0228 | Round       | Ø 28         | M10            | 19 | 6 |
| 34680.W0230 | Round       | Ø 30         | M10            | 19 | 6 |
| 34680.W0232 | Round       | Ø 32         | M10            | 19 | 6 |
| 34680.W0235 | Round       | Ø 35         | M10            | 20 | 6 |
| 34680.W0240 | Round       | Ø 40         | M10            | 21 | 6 |
| 34680.W0250 | Round       | Ø 50         | M10            | 21 | 6 |



# Threaded Plastic Insert

square & round inserts

# Threaded Frame Inserts



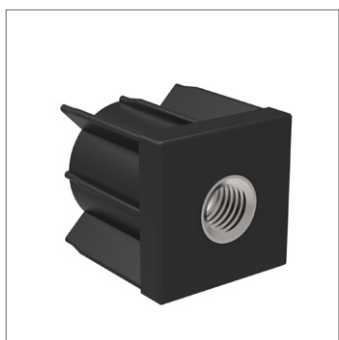
**34681**

THREADED FRAME INSERTS

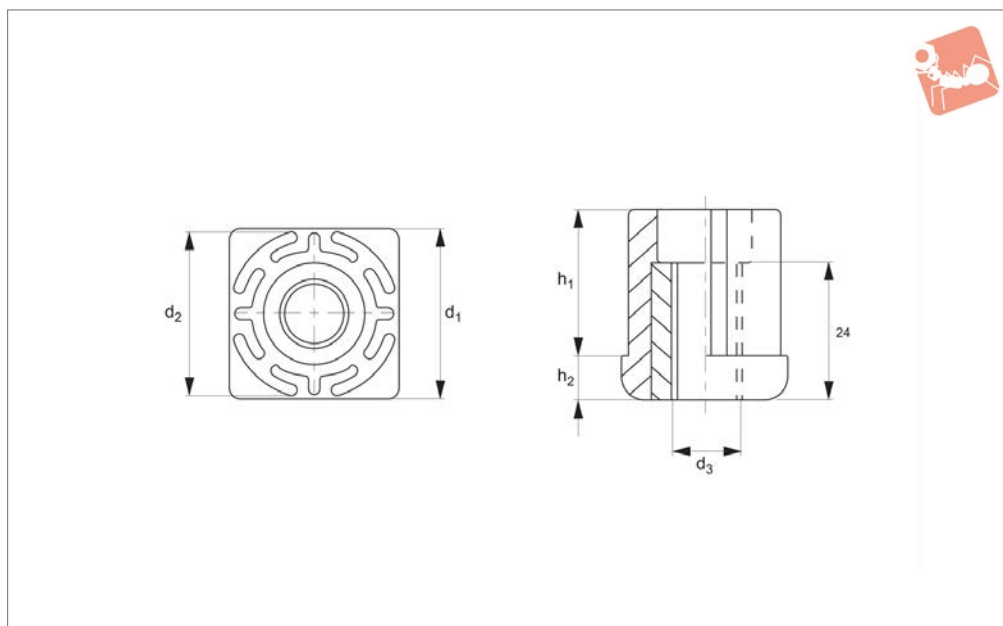
**Material**  
Polyamide

**Technical Notes**  
When vibrations or dynamic loads are present these values should be reduced.

| Order No.   | Type   | d <sub>1</sub> | d <sub>2</sub> | a  | b |
|-------------|--------|----------------|----------------|----|---|
| 34681.W0015 | Square | M10            | 15x15          | 18 | 5 |
| 34681.W0016 | Square | M10            | 16x16          | 18 | 5 |
| 34681.W0018 | Square | M10            | 18x18          | 18 | 5 |
| 34681.W0020 | Square | M10            | 20x20          | 18 | 5 |
| 34681.W0022 | Square | M10            | 22x22          | 18 | 5 |
| 34681.W0025 | Square | M10            | 25x25          | 19 | 5 |
| 34681.W0030 | Square | M10            | 30x30          | 20 | 6 |
| 34681.W0035 | Square | M10            | 35x35          | 21 | 6 |
| 34681.W0040 | Square | M10            | 40x40          | 22 | 6 |
| 34681.W0050 | Square | M10            | 50x50          | 30 | 7 |
| 34681.W0218 | Round  | M10            | 20             | 18 | 6 |
| 34681.W0222 | Round  | M10            | 22             | 19 | 6 |
| 34681.W0225 | Round  | M10            | 25             | 19 | 6 |
| 34681.W0228 | Round  | M10            | 28             | 19 | 6 |
| 34681.W0230 | Round  | M10            | 30             | 19 | 6 |
| 34681.W0232 | Round  | M10            | 32             | 19 | 6 |
| 34681.W0235 | Round  | M10            | 35             | 20 | 6 |
| 34681.W0240 | Round  | M10            | 40             | 20 | 6 |
| 34681.W0245 | Round  | M10            | 45             | 21 | 6 |
| 34681.W0250 | Round  | M10            | 50             | 21 | 6 |



**34691**



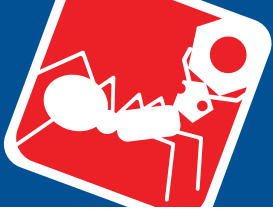
### Material

Body: polyamide reinforced nylon.  
 Bush: brass, nickel plated.

### Technical Notes

For use with levelling feet parts.

| Order No.   | Outerbox d <sub>1</sub> | Innerbox d <sub>2</sub> | d <sub>3</sub> | h <sub>1</sub> | h <sub>2</sub> | Rec. load<br>kg<br>max. |
|-------------|-------------------------|-------------------------|----------------|----------------|----------------|-------------------------|
| 34691.W0108 | 30x30x1,5               | 27                      | M 8            | 35             | 8              | 500                     |
| 34691.W0110 | 30x30x1,5               | 27                      | M10            | 35             | 8              | 500                     |
| 34691.W0112 | 30x30x1,5               | 27                      | M12            | 35             | 8              | 500                     |
| 34691.W0116 | 30x30x1,5               | 27                      | M16            | 35             | 8              | 500                     |
| 34691.W0208 | 40x40x1,5               | 37                      | M 8            | 35             | 8              | 1000                    |
| 34691.W0210 | 40x40x1,5               | 37                      | M10            | 35             | 8              | 1000                    |
| 34691.W0212 | 40x40x1,5               | 37                      | M12            | 35             | 8              | 1000                    |
| 34691.W0216 | 40x40x1,5               | 37                      | M16            | 35             | 8              | 1000                    |
| 34691.W0220 | 40x40x1,5               | 37                      | M20            | 35             | 8              | 1000                    |
| 34691.W0308 | 40x40x2,0               | 36                      | M8             | 35             | 8              | 1000                    |
| 34691.W0310 | 40x40x2,0               | 36                      | M10            | 35             | 8              | 1000                    |
| 34691.W0312 | 40x40x2,0               | 36                      | M12            | 35             | 8              | 1000                    |
| 34691.W0316 | 40x40x2,0               | 36                      | M16            | 35             | 8              | 1000                    |
| 34691.W0320 | 40x40x2,0               | 36                      | M20            | 35             | 8              | 1000                    |
| 34691.W0416 | 50x50x1,5               | 47                      | M16            | 45             | 10             | 1000                    |
| 34691.W0420 | 50x50x1,5               | 47                      | M20            | 45             | 10             | 1200                    |
| 34691.W0424 | 50x50x1,5               | 47                      | M24            | 45             | 10             | 1200                    |
| 34691.W0516 | 50x50x2,0               | 46                      | M16            | 45             | 10             | 1200                    |
| 34691.W0520 | 50x50x2,0               | 46                      | M20            | 45             | 10             | 1200                    |
| 34691.W0524 | 50x50x2,0               | 46                      | M24            | 45             | 10             | 1200                    |

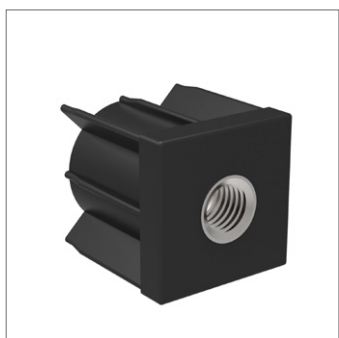


# Threaded Plastic Inserts for Hollow with brass bush

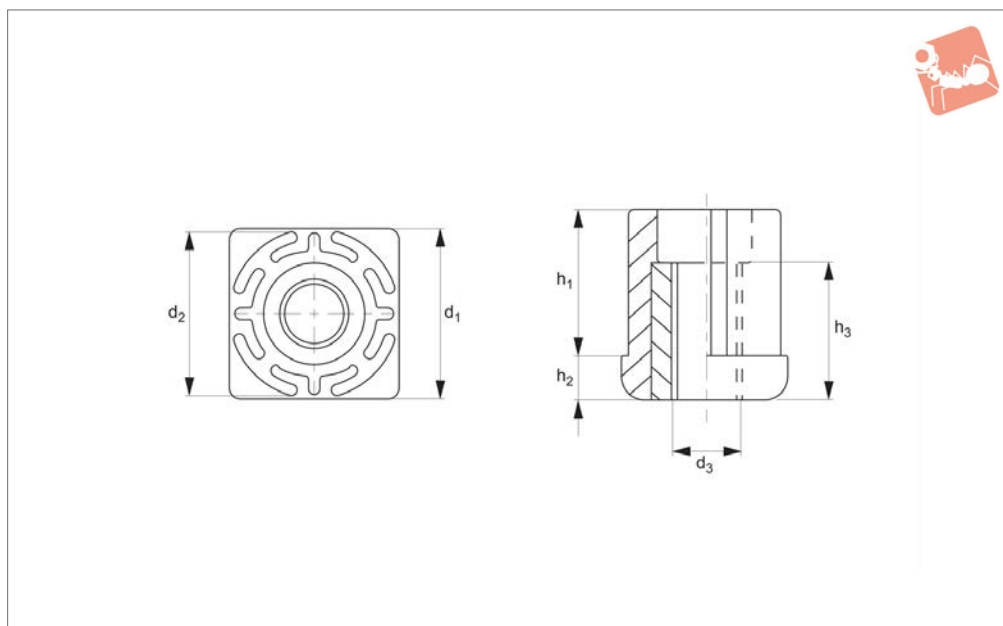
# Threaded Frame Inserts



THREADED FRAME INSERTS



**34692**



### Material

Bush: stainless steel, type AISI 303.

Moulding: polyamide reinforced nylon.

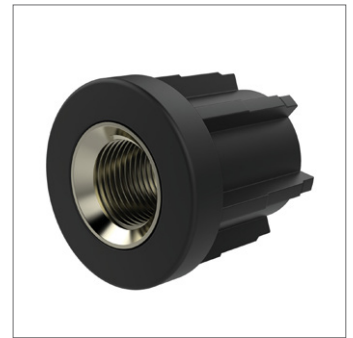
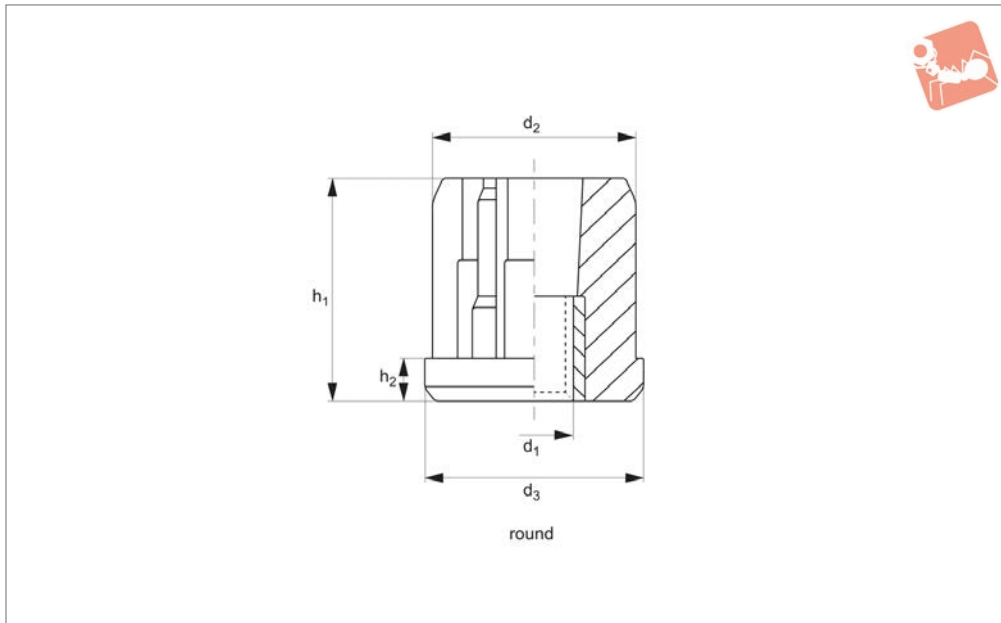
| Order No.   | Outerbox $d_1$ | Innerbox $d_2$ | $d_3$ | $h_1$ | $h_2$ | $h_3$ | Load capacity for static load<br>kg<br>max. |
|-------------|----------------|----------------|-------|-------|-------|-------|---|
| 34692.W0610 | 30x30x1,5      | 27             | M10   | 35    | 8     | 24    | 500   |
| 34692.W0612 | 30x30x1,5      | 27             | M12   | 35    | 8     | 24    | 500   |
| 34692.W0616 | 30x30x1,5      | 27             | M16   | 35    | 8     | 24    | 500   |
| 34692.W0710 | 40x40x1,5      | 37             | M10   | 35    | 8     | 24    | 1000  |
| 34692.W0712 | 40x40x1,5      | 37             | M12   | 35    | 8     | 24    | 1000  |
| 34692.W0716 | 40x40x1,5      | 37             | M16   | 35    | 8     | 24    | 1000  |
| 34692.W0720 | 40x40x1,5      | 37             | M20   | 35    | 8     | 24    | 1000  |
| 34692.W0810 | 40x40x2,0      | 36             | M10   | 35    | 8     | 24    | 1000  |
| 34692.W0812 | 40x40x2,0      | 36             | M12   | 35    | 8     | 24    | 1000  |
| 34692.W0816 | 40x40x2,0      | 36             | M16   | 35    | 8     | 24    | 1000  |
| 34692.W0820 | 40x40x2,0      | 36             | M20   | 35    | 8     | 24    | 1000  |
| 34692.W0916 | 50x50x1,5      | 47             | M16   | 45    | 10    | 24    | 1200  |
| 34692.W0920 | 50x50x1,5      | 47             | M20   | 45    | 10    | 24    | 1200  |
| 34692.W0924 | 50x50x1,5      | 47             | M24   | 45    | 10    | 24    | 1200  |
| 34692.W0952 | 50x50x2,0      | 46             | M16   | 45    | 10    | 24    | 1200  |
| 34692.W0954 | 50x50x2,0      | 46             | M20   | 45    | 10    | 24    | 1200  |
| 34692.W0956 | 50x50x2,0      | 46             | M24   | 45    | 10    | 24    | 1200  |





# Threaded Plastic Insert - Round with nickel plated brass bush

## Threaded Frame Inserts



**34693**

THREADED FRAME INSERTS

### Material

Moulding: polyamide, reinforced with fiber glass.

Insert: nickel-plated brass.

Notes -

Stainless steel inserts available on request.

| Order No.   | d <sub>1</sub> | d <sub>2</sub> | d <sub>3</sub> | h <sub>1</sub> | h <sub>2</sub> | Static load<br>kN<br>max. |
|-------------|----------------|----------------|----------------|----------------|----------------|---------------------------|
| 34693.W0108 | M8             | 28.5           | 30             | 35             | 6              | 3.2                       |
| 34693.W0110 | M10            | 28.5           | 30             | 35             | 6              | 3.2                       |
| 34693.W0112 | M12            | 28.5           | 30             | 35             | 6              | 3.2                       |
| 34693.W0114 | M14            | 28.5           | 30             | 35             | 6              | 3.2                       |
| 34693.W0116 | M16            | 28.5           | 30             | 35             | 6              | 3.2                       |
| 34693.W0208 | M8             | 35.5           | 38             | 43             | 8              | 5.5                       |
| 34693.W0210 | M10            | 35.5           | 38             | 43             | 8              | 5.5                       |
| 34693.W0212 | M12            | 35.5           | 38             | 43             | 8              | 5.5                       |
| 34693.W0214 | M14            | 35.5           | 38             | 43             | 8              | 5.5                       |
| 34693.W0216 | M16            | 35.5           | 38             | 43             | 8              | 5.5                       |
| 34693.W0308 | M8             | 39.5           | 42             | 42             | 8              | 6.5                       |
| 34693.W0310 | M10            | 39.5           | 42             | 42             | 8              | 6.5                       |
| 34693.W0312 | M12            | 39.5           | 42             | 42             | 8              | 6.5                       |
| 34693.W0314 | M14            | 39.5           | 42             | 42             | 8              | 6.5                       |
| 34693.W0316 | M16            | 39.5           | 42             | 42             | 8              | 6.5                       |
| 34693.W0320 | M20            | 39.5           | 42             | 42             | 8              | 6.5                       |
| 34693.W0408 | M8             | 45.5           | 48             | 49             | 11             | 8.0                       |
| 34693.W0410 | M10            | 45.5           | 48             | 49             | 11             | 8.0                       |
| 34693.W0412 | M12            | 45.5           | 48             | 49             | 11             | 8.0                       |
| 34693.W0414 | M14            | 45.5           | 48             | 49             | 11             | 8.0                       |
| 34693.W0416 | M16            | 45.5           | 48             | 49             | 11             | 8.0                       |
| 34693.W0420 | M20            | 45.5           | 48             | 49             | 11             | 8.0                       |
| 34693.W0508 | M8             | 47.5           | 50             | 49             | 11             | 8.5                       |
| 34693.W0510 | M10            | 47.5           | 50             | 49             | 11             | 8.5                       |
| 34693.W0512 | M12            | 47.5           | 50             | 49             | 11             | 8.5                       |
| 34693.W0514 | M14            | 47.5           | 50             | 49             | 11             | 8.5                       |
| 34693.W0516 | M16            | 47.5           | 50             | 49             | 11             | 8.5                       |
| 34693.W0520 | M20            | 47.5           | 50             | 49             | 11             | 8.5                       |
| 34693.W0614 | M14            | 57.5           | 60             | 50             | 12             | 10.0                      |
| 34693.W0616 | M16            | 57.5           | 60             | 50             | 12             | 10.0                      |
| 34693.W0620 | M20            | 57.5           | 60             | 50             | 12             | 10.0                      |
| 34693.W0624 | M24            | 57.5           | 60             | 50             | 12             | 10.0                      |
| 34693.W0714 | M14            | 56.5           | 60             | 50             | 12             | 10.0                      |
| 34693.W0716 | M16            | 56.5           | 60             | 50             | 12             | 10.0                      |

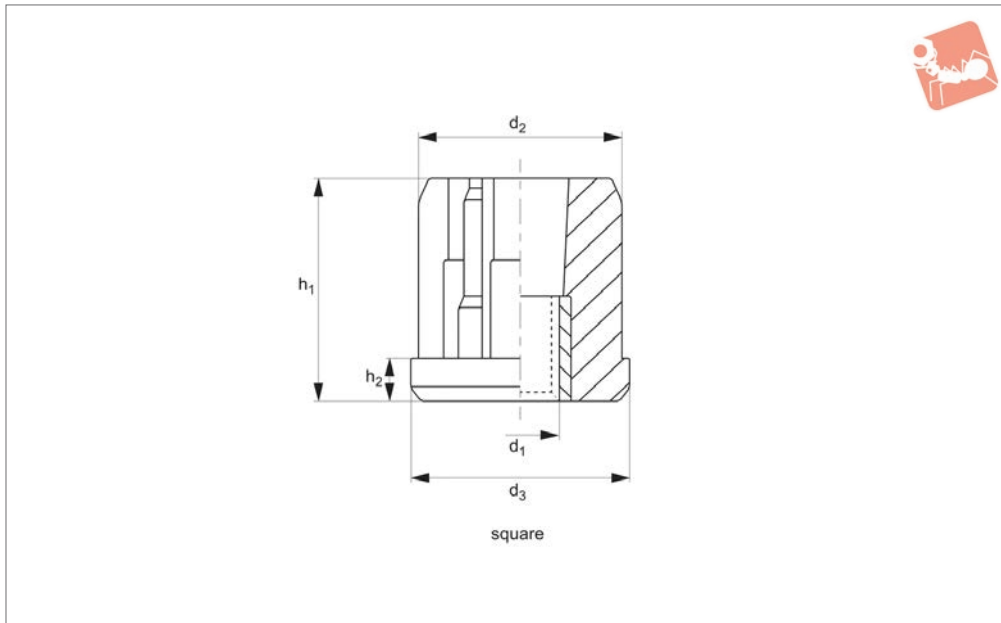


| Order No.          | d <sub>1</sub> | d <sub>2</sub> | d <sub>3</sub> | h <sub>1</sub> | h <sub>2</sub> | Static load<br>kN<br>max. |
|--------------------|----------------|----------------|----------------|----------------|----------------|---------------------------|
| <b>34693.W0720</b> | M20            | 56.5           | 60             | 50             | 12             | 10.0                      |
| <b>34693.W0724</b> | M24            | 56.5           | 60             | 50             | 12             | 10.0                      |
| <b>34693.W0814</b> | M14            | 55.5           | 60             | 50             | 12             | 10.0                      |
| <b>34693.W0816</b> | M16            | 55.5           | 60             | 50             | 12             | 10.0                      |
| <b>34693.W0820</b> | M20            | 55.5           | 60             | 50             | 12             | 10.0                      |
| <b>34693.W0824</b> | M24            | 55.5           | 60             | 50             | 12             | 10.0                      |



# Threaded Plastic Insert - Square with nickel plated brass bush

## Threaded Frame Inserts



**34694**

THREADED FRAME INSERTS

### Material

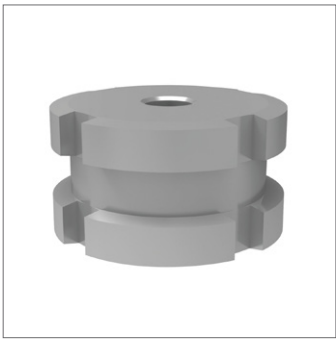
Moulding: polyamide, reinforced with fiber glass.

Insert: nickel-plated brass.

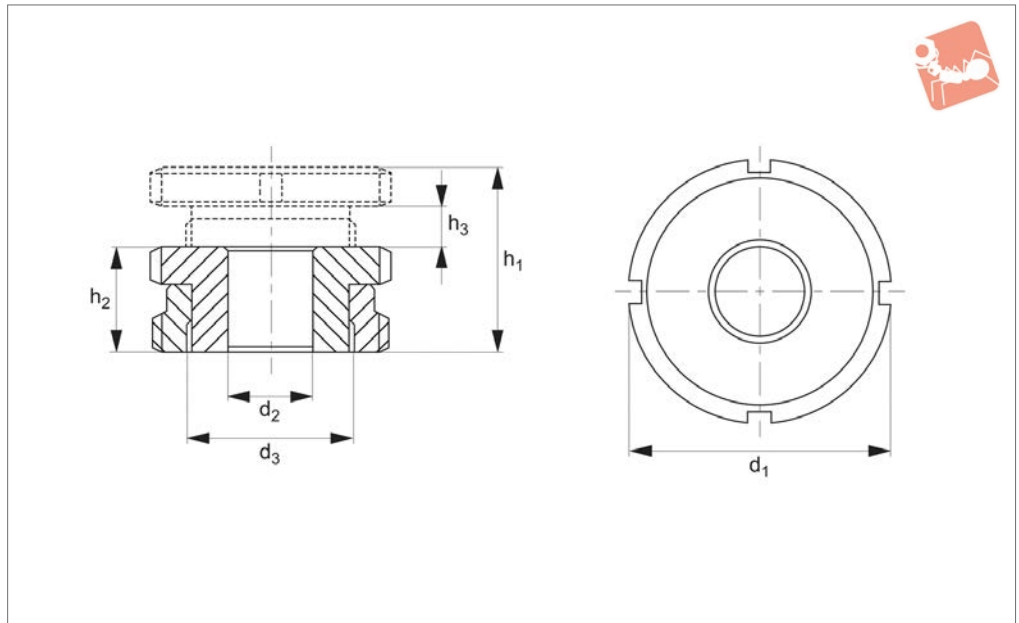
Stainless steel inserts available on request.

Notes -

| Order No.   | d <sub>1</sub> | d <sub>2</sub> | d <sub>3</sub> | h <sub>1</sub> | h <sub>2</sub> | Static load<br>kN<br>max. |
|-------------|----------------|----------------|----------------|----------------|----------------|---------------------------|
| 34694.W0110 | M10            | 27             | 30x30x1,5      | 33             | 6              | 5.5                       |
| 34694.W0112 | M12            | 27             | 30x30x1,5      | 33             | 6              | 5.5                       |
| 34694.W0114 | M14            | 27             | 30x30x1,5      | 33             | 6              | 5.5                       |
| 34694.W0116 | M16            | 27             | 30x30x1,5      | 33             | 6              | 5.5                       |
| 34694.W0210 | M10            | 32             | 35x35x1,5      | 43             | 8              | 7.0                       |
| 34694.W0212 | M12            | 32             | 35x35x1,5      | 43             | 8              | 7.0                       |
| 34694.W0214 | M14            | 32             | 35x35x1,5      | 43             | 8              | 7.0                       |
| 34694.W0216 | M16            | 32             | 35x35x1,5      | 43             | 8              | 7.0                       |
| 34694.W0310 | M10            | 37             | 40x40x1,5      | 43             | 8              | 8.0                       |
| 34694.W0312 | M12            | 37             | 40x40x1,5      | 43             | 8              | 8.0                       |
| 34694.W0314 | M14            | 37             | 40x40x1,5      | 43             | 8              | 8.0                       |
| 34694.W0316 | M16            | 37             | 40x40x1,5      | 43             | 8              | 8.0                       |
| 34694.W0320 | M20            | 37             | 40x40x1,5      | 43             | 8              | 8.0                       |
| 34694.W0410 | M10            | 36             | 40x40x2,0      | 43             | 8              | 8.0                       |
| 34694.W0412 | M12            | 36             | 40x40x2,0      | 43             | 8              | 8.0                       |
| 34694.W0414 | M14            | 36             | 40x40x2,0      | 43             | 8              | 8.0                       |
| 34694.W0416 | M16            | 36             | 40x40x2,0      | 43             | 8              | 8.0                       |
| 34694.W0420 | M20            | 36             | 40x40x2,0      | 43             | 8              | 8.0                       |
| 34694.W0512 | M12            | 47             | 50x50x1,5      | 55             | 10             | 9.5                       |
| 34694.W0514 | M14            | 47             | 50x50x1,5      | 55             | 10             | 9.5                       |
| 34694.W0516 | M16            | 47             | 50x50x1,5      | 55             | 10             | 9.5                       |
| 34694.W0520 | M20            | 47             | 50x50x1,5      | 55             | 10             | 9.5                       |
| 34694.W0612 | M12            | 45             | 50x50x2,0      | 55             | 10             | 9.5                       |
| 34694.W0614 | M14            | 45             | 50x50x2,0      | 55             | 10             | 9.5                       |
| 34694.W0616 | M16            | 45             | 50x50x2,0      | 55             | 10             | 9.5                       |
| 34694.W0620 | M20            | 45             | 50x50x2,0      | 55             | 10             | 9.5                       |



## 62000



### Material

Steel (type 42 CrMo4 V, 1.7225) zinc plated or stainless steel A1 (A4 on request).

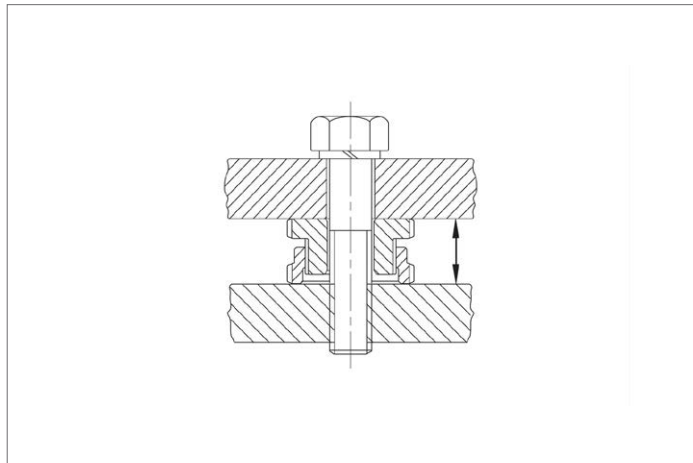
### Technical Notes

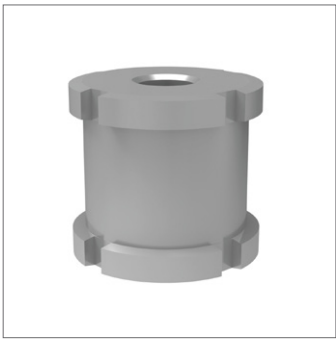
After setting the height, the structure can be bolted down using a suitable 8,8

strength bolt.

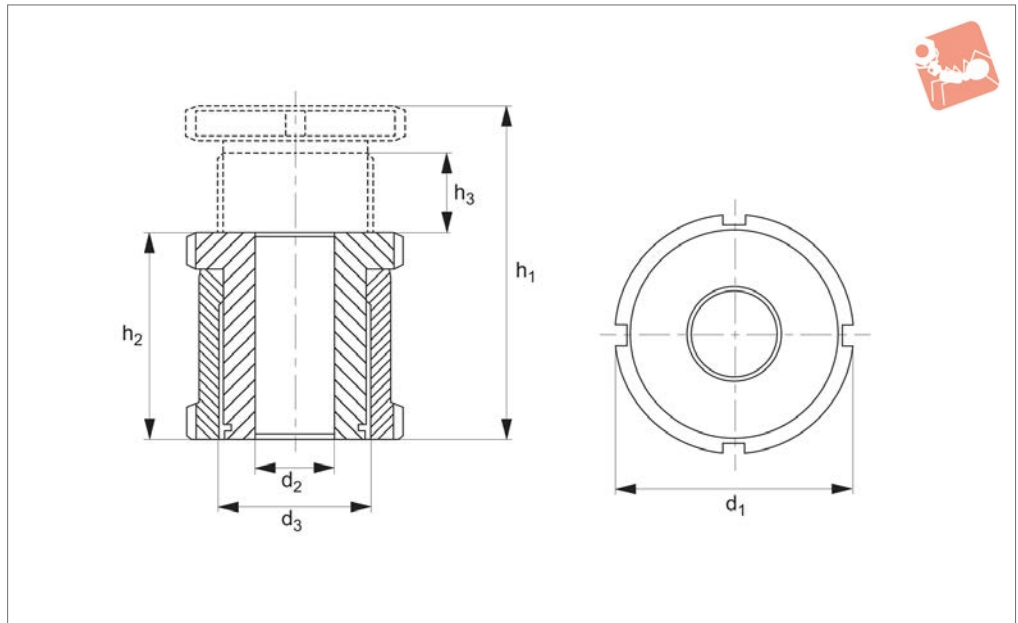
The net load that the unit can carry is the maximum load less the tightening torque recommended for the bolt. Designed for applications with limited space. Height adjustment is between 4 and 10mm.

| Order No.   | Material        | For bolt | $h_1$ | $h_2$ | $h_3$ | $d_1$ | $d_2$ | $d_3$   | Load with bolt<br>kN<br>max. | Load w/o bolt<br>kN<br>max. |
|-------------|-----------------|----------|-------|-------|-------|-------|-------|---------|------------------------------|-----------------------------|
| 62000.W0038 | Steel           | M 4      | 19    | 15    | 4     | 25    | 4.5   | M15x1,0 | 36.00                        | 40.0                        |
| 62000.W0039 | Steel           | M 5      | 19    | 15    | 4     | 25    | 5.5   | M15x1,0 | 33.40                        | 40.0                        |
| 62000.W0040 | Steel           | M 6      | 19    | 15    | 4     | 25    | 6.6   | M15x1,0 | 30.70                        | 40.0                        |
| 62000.W0050 | Steel           | M 6      | 23    | 18    | 5     | 32    | 6.6   | M20x1,0 | 55.70                        | 65.0                        |
| 62000.W0051 | Steel           | M 8      | 23    | 18    | 5     | 32    | 9.0   | M20x1,0 | 48.00                        | 65.0                        |
| 62000.W0052 | Steel           | M10      | 23    | 18    | 5     | 32    | 11.0  | M20x1,0 | 37.90                        | 65.0                        |
| 62000.W0070 | Steel           | M10      | 29    | 22    | 7     | 45    | 11.0  | M30x1,5 | 92.90                        | 120.0                       |
| 62000.W0071 | Steel           | M12      | 29    | 22    | 7     | 45    | 13.5  | M30x1,5 | 80.40                        | 120.0                       |
| 62000.W0072 | Steel           | M16      | 29    | 22    | 7     | 45    | 17.5  | M30x1,5 | 45.50                        | 120.0                       |
| 62000.W0090 | Steel           | M16      | 37    | 28    | 9     | 58    | 17.5  | M40x1,5 | 136.00                       | 210.0                       |
| 62000.W0091 | Steel           | M20      | 37    | 28    | 9     | 58    | 22.0  | M40x1,5 | 90.00                        | 210.0                       |
| 62000.W0092 | Steel           | M24      | 37    | 28    | 9     | 58    | 26.0  | M40x1,5 | 37.00                        | 210.0                       |
| 62000.W0100 | Steel           | M20      | 43    | 33    | 10    | 70    | 22.0  | M50x1,5 | 210.00                       | 330.0                       |
| 62000.W0101 | Steel           | M24      | 43    | 33    | 10    | 70    | 26.0  | M50x1,5 | 157.00                       | 330.0                       |
| 62000.W0102 | Steel           | M30      | 43    | 33    | 10    | 70    | 33.0  | M50x1,5 | 53.00                        | 330.0                       |
| 62000.W0502 | Stainless steel | M 4      | 19    | 15    | 4     | 25    | 4.5   | M15x1,0 | 24.14                        | 27.1                        |
| 62000.W0503 | Stainless steel | M 5      | 19    | 15    | 4     | 25    | 5.5   | M15x1,0 | 22.24                        | 27.1                        |
| 62000.W0504 | Stainless steel | M 6      | 19    | 15    | 4     | 25    | 6.6   | M15x1,0 | 20.26                        | 27.1                        |
| 62000.W0550 | Stainless steel | M 6      | 23    | 18    | 5     | 32    | 6.6   | M20x1,0 | 36.56                        | 43.4                        |
| 62000.W0551 | Stainless steel | M 8      | 23    | 18    | 5     | 32    | 9.0   | M20x1,0 | 30.86                        | 43.4                        |
| 62000.W0552 | Stainless steel | M10      | 23    | 18    | 5     | 32    | 11.0  | M20x1,0 | 23.41                        | 43.4                        |
| 62000.W0570 | Stainless steel | M10      | 29    | 22    | 7     | 45    | 11.0  | M30x1,5 | 64.01                        | 84.0                        |
| 62000.W0571 | Stainless steel | M12      | 29    | 22    | 7     | 45    | 13.5  | M30x1,5 | 54.82                        | 84.0                        |
| 62000.W0572 | Stainless steel | M16      | 29    | 22    | 7     | 45    | 17.5  | M30x1,5 | 28.90                        | 84.0                        |
| 62000.W0590 | Stainless steel | M16      | 37    | 28    | 9     | 58    | 17.5  | M40x1,5 | 92.90                        | 148.0                       |
| 62000.W0591 | Stainless steel | M20      | 37    | 28    | 9     | 58    | 22.0  | M40x1,5 | 59.08                        | 148.0                       |
| 62000.W0592 | Stainless steel | M24      | 37    | 28    | 9     | 58    | 26.0  | M40x1,5 | 20.30                        | 148.0                       |
| 62000.W0600 | Stainless steel | M20      | 43    | 33    | 10    | 70    | 22.0  | M50x1,5 | 136.08                       | 225.0                       |
| 62000.W0601 | Stainless steel | M24      | 43    | 33    | 10    | 70    | 26.0  | M50x1,5 | 97.30                        | 225.0                       |
| 62000.W0602 | Stainless steel | M30      | 43    | 33    | 10    | 70    | 33.0  | M50x1,5 | 20.60                        | 225.0                       |





## 62060



### Material

Steel (type 42 CrMo4 V, 1.7225) zinc plated or stainless steel A1 (A4 on request).

### Technical Notes

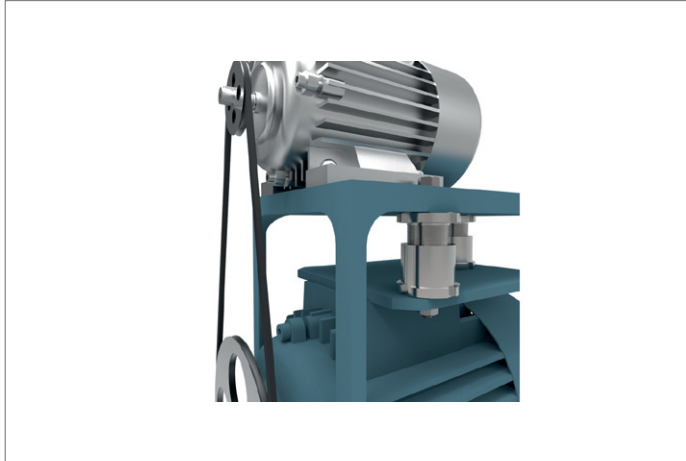
After setting the height, the structure can be bolted down using a suitable 8,8

strength bolt.

The net load that the unit can carry is the maximum load less the tightening torque recommended for the bolt. Designed for applications where a wide adjustment range is required - height adjustment is

equal to 15 to 40mm.

| Order No.   | Material        | For bolt | $h_1$ | $h_2$ | $h_3$ | $d_1$ | $d_2$ | $d_3$   | Load with bolt<br>kN<br>max. | Load w/o bolt<br>kN<br>max. |
|-------------|-----------------|----------|-------|-------|-------|-------|-------|---------|------------------------------|-----------------------------|
| 62060.W0013 | Steel           | M 4      | 43    | 28    | 15    | 25    | 4.5   | M15x1,0 | 36.00                        | 40.00                       |
| 62060.W0014 | Steel           | M 5      | 43    | 28    | 15    | 25    | 5.5   | M15x1,0 | 33.40                        | 40.00                       |
| 62060.W0015 | Steel           | M 6      | 43    | 28    | 15    | 25    | 6.6   | M15x1,0 | 30.70                        | 40.00                       |
| 62060.W0021 | Steel           | M 6      | 55    | 35    | 20    | 32    | 6.6   | M20x1,0 | 55.70                        | 65.00                       |
| 62060.W0022 | Steel           | M 8      | 55    | 35    | 20    | 32    | 9.0   | M20x1,0 | 48.00                        | 65.00                       |
| 62060.W0023 | Steel           | M10      | 55    | 35    | 20    | 32    | 11.0  | M20x1,0 | 37.90                        | 65.00                       |
| 62060.W0025 | Steel           | M10      | 67    | 42    | 25    | 45    | 11.0  | M30x1,5 | 92.90                        | 120.00                      |
| 62060.W0026 | Steel           | M12      | 67    | 42    | 25    | 45    | 13.5  | M30x1,5 | 80.40                        | 120.00                      |
| 62060.W0027 | Steel           | M16      | 67    | 42    | 25    | 45    | 17.5  | M30x1,5 | 45.50                        | 120.00                      |
| 62060.W0030 | Steel           | M16      | 86    | 54    | 32    | 58    | 17.5  | M40x1,5 | 136.00                       | 210.00                      |
| 62060.W0031 | Steel           | M20      | 86    | 54    | 32    | 58    | 22.0  | M40x1,5 | 90.00                        | 210.00                      |
| 62060.W0032 | Steel           | M24      | 86    | 54    | 32    | 58    | 26.0  | M40x1,5 | 37.00                        | 210.00                      |
| 62060.W0040 | Steel           | M20      | 106   | 66    | 40    | 70    | 22.0  | M50x1,5 | 210.00                       | 330.00                      |
| 62060.W0041 | Steel           | M24      | 106   | 66    | 40    | 70    | 26.0  | M50x1,5 | 157.00                       | 330.00                      |
| 62060.W0042 | Steel           | M30      | 106   | 66    | 40    | 70    | 33.0  | M50x1,5 | 53.00                        | 330.00                      |
| 62060.W0513 | Stainless steel | M 4      | 43    | 28    | 15    | 25    | 4.5   | M15x1,0 | 24.14                        | 27.10                       |
| 62060.W0514 | Stainless steel | M 5      | 43    | 28    | 15    | 25    | 5.5   | M15x1,0 | 22.24                        | 27.10                       |
| 62060.W0515 | Stainless steel | M 6      | 43    | 28    | 15    | 25    | 6.6   | M15x1,0 | 20.26                        | 27.10                       |
| 62060.W0521 | Stainless steel | M 6      | 55    | 35    | 20    | 32    | 6.6   | M20x1,0 | 36.56                        | 43.40                       |
| 62060.W0522 | Stainless steel | M 8      | 55    | 35    | 20    | 32    | 9.0   | M20x1,0 | 30.86                        | 43.40                       |
| 62060.W0523 | Stainless steel | M10      | 55    | 35    | 20    | 32    | 11.0  | M20x1,0 | 23.41                        | 43.40                       |
| 62060.W0525 | Stainless steel | M10      | 67    | 42    | 25    | 45    | 11.0  | M30x1,5 | 64.01                        | 84.00                       |
| 62060.W0526 | Stainless steel | M12      | 67    | 42    | 25    | 45    | 13.5  | M30x1,5 | 54.82                        | 84.00                       |
| 62060.W0527 | Stainless steel | M16      | 67    | 42    | 25    | 45    | 17.5  | M30x1,5 | 28.90                        | 84.00                       |
| 62060.W0530 | Stainless steel | M16      | 86    | 54    | 32    | 58    | 17.5  | M40x1,5 | 92.90                        | 148.00                      |
| 62060.W0531 | Stainless steel | M20      | 86    | 54    | 32    | 58    | 22.0  | M40x1,5 | 59.08                        | 148.00                      |
| 62060.W0532 | Stainless steel | M24      | 86    | 54    | 32    | 58    | 26.0  | M40x1,5 | 20.30                        | 148.00                      |
| 62060.W0540 | Stainless steel | M20      | 106   | 66    | 40    | 70    | 22.0  | M50x1,5 | 136.08                       | 225.00                      |
| 62060.W0541 | Stainless steel | M24      | 106   | 66    | 40    | 70    | 26.0  | M50x1,5 | 97.30                        | 225.00                      |
| 62060.W0542 | Stainless steel | M30      | 106   | 66    | 40    | 70    | 33.0  | M50x1,5 | 20.60                        | 225.00                      |

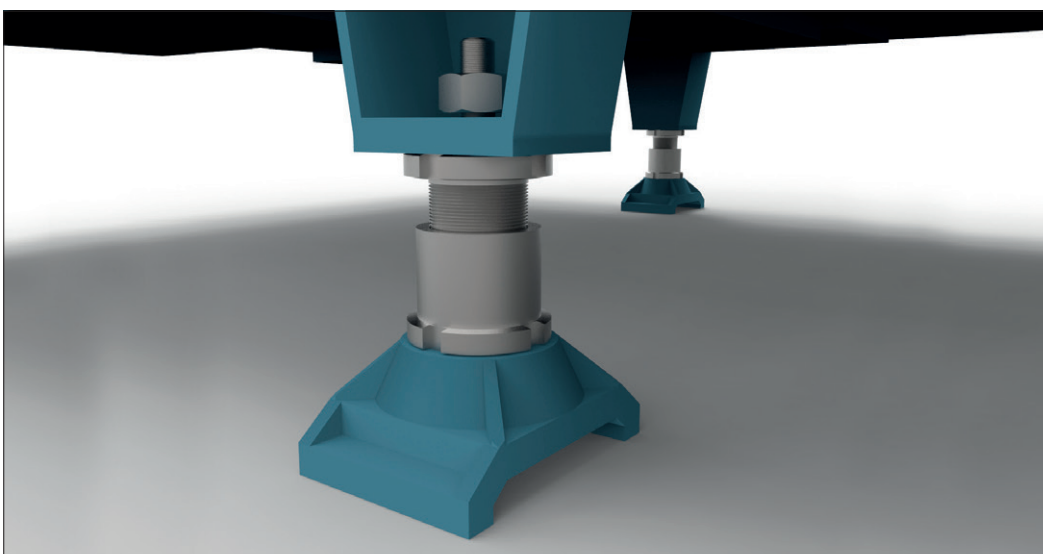




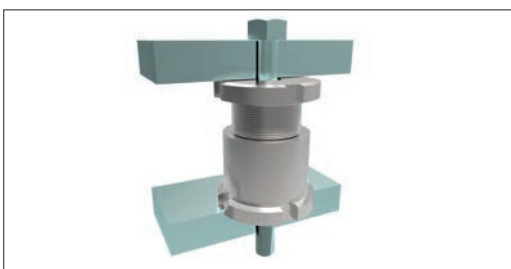
## Advantages

- Precision adjusting and re-adjusting.
- Operational under heavy loads.
- Fast installation.
- Greater vertical alignment (from 4 to 105mm).
- Compensation for non-parallel bearing surfaces.
- Suitable for static and dynamic loads.
- Can be anchored to foundation.

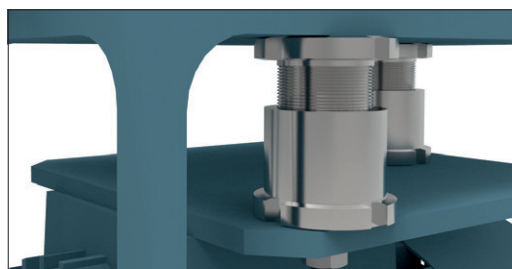
## Applications



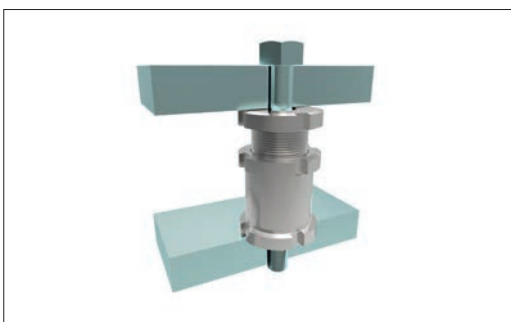
**Grounded field mount** - Precision Leveller no. 62060 in use on a fully metal encapsulated gas-insulated high voltage switch.



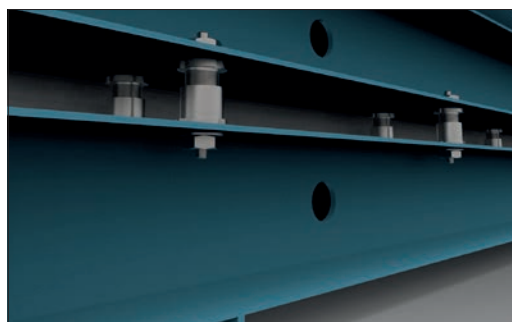
**Test stand** - Precision Levellers provide adjustment for the connection shaft between motor and transmission.



**Drive train application** - in this application Wixroyd Precision Levellers are used to adjust the rig to ensure correct tension of the V-belt, and to provide full support of the top mounted electric drive motor.



**Plummer blocks** - even multiple bearings can be levelled easily and precisely, here part no. 62000 is in use.



**Extruder** - precision adjustment of an extruder with leveller no. 62008.

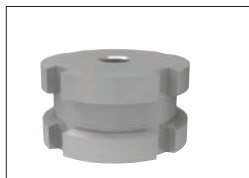
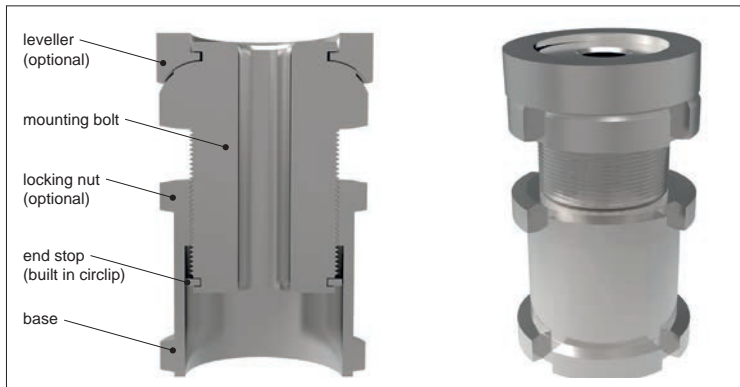




#### Design features

Wixroyd Precision Levelling Adjusters enable accurate levelling, locating and adjusting of motors, machinery and much more, under heavy loads.

There are three key features to the design, firstly the fine threaded mounting bolt, secondly the threaded nut base and thirdly the end-stop. The fine thread of the mounting bolt and base provides precise adjustment, as well as easy re-adjustment by means of a hook spanner to DIN 1810A, see part no. 95400.



**62000** - Designed for applications with limited space - height adjustment is between 4 and 14mm.



**62040** - Designed for applications requiring both height adjustment (from 4 to 14mm) and precise adjustment of non-parallel surfaces, with a maximum angle of tilt 4°.



**62060** - Designed for applications where a wide adjustment range is required - height adjustment equal to 15 to 55mm.



**62080** - Designed for applications with a dynamic load, or where no fasteners are used. The locknut enables locking of the adjuster in the pre-set position.



**62100** - For applications requiring both height adjustment (from 15 to 55mm) and precise adjustment of non-parallel surfaces, with a max. angle of tilt 4°.



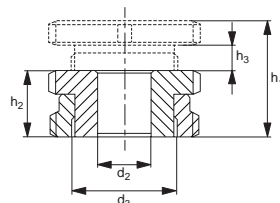
**62120** - The same features as part number 62100, but with the added feature of a locknut to fix adjuster in any position.



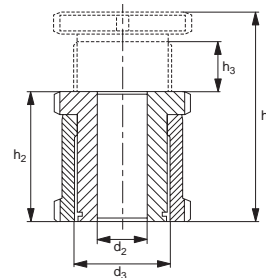
**62140/62160** - Designed for applications requiring precise adjustment of non-parallel surfaces, with a maximum angle tilt 4°. The ball shim has no height adjustment feature.

#### Product range

#### Precision adjusters



#### Precision levellers

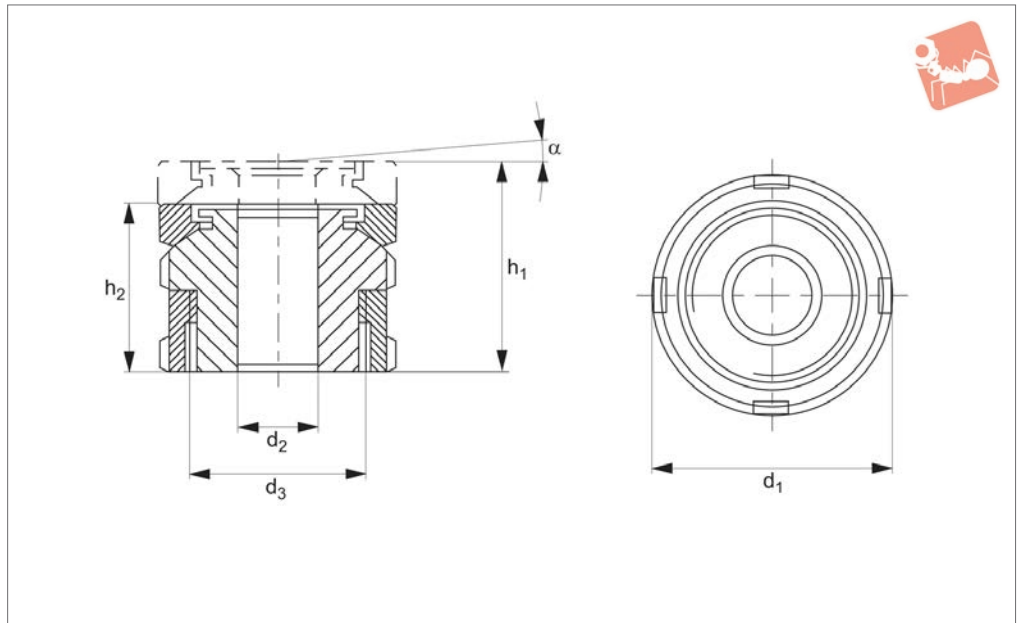


#### Adjusters vs. levellers

| Features                  | 62000 | 62002 | 62040 | 62042 | 62060 | 62080 | 62100 | 62120 |
|---------------------------|-------|-------|-------|-------|-------|-------|-------|-------|
| Adjustment travel 4-14mm  | ✓     | ✓     | ✓     | ✓     |       |       |       |       |
| Adjustment travel 15-55mm |       |       |       |       | ✓     | ✓     | ✓     | ✓     |
| Lock nut                  |       | ✓     |       | ✓     |       | ✓     |       | ✓     |
| Slope adjustment up to 4° |       |       | ✓     | ✓     |       |       | ✓     | ✓     |
| Captive screw feature     | ✓     | ✓     | ✓     | ✓     | ✓     | ✓     | ✓     | ✓     |



## 62040



### Material

Steel (type 42 CrMo4 V, 1.7225) zinc plated or stainless steel A1 (A4 on request).

### Technical Notes

After setting the height, the structure can be bolted down using a suitable 8,8 strength bolt.

The net load that the unit can carry is the maximum load less the tightening torque recommended for the bolt. Please see useful info tab.

Designed for applications with limited space. Height adjustment is between 4 and 10mm. Designed for applications requiring

both height adjustment and precise adjustment of non-parallel surfaces, with a maximum angle of tilt 4°. For adjustment of non-parallel surfaces without height adjustment, see part no. 62140.

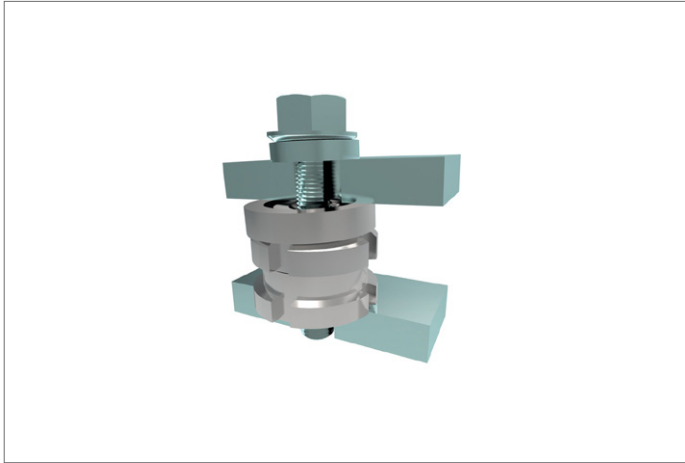
| Order No.   | Material        | For bolt | $h_1$ | $h_2$ | $d_1$ | $d_2$ | $d_3$   | $\alpha$ | Load with bolt<br>kN<br>max. | Load w/o bolt<br>kN<br>max. |
|-------------|-----------------|----------|-------|-------|-------|-------|---------|----------|------------------------------|-----------------------------|
| 62040.W0038 | Steel           | M 4      | 26    | 22    | 25    | 4.5   | M15x1,0 | 4°       | 36.00                        | 40.0                        |
| 62040.W0039 | Steel           | M 5      | 26    | 22    | 25    | 5.5   | M15x1,0 | 4°       | 33.40                        | 40.0                        |
| 62040.W0040 | Steel           | M 6      | 26    | 22    | 25    | 6.6   | M15x1,0 | 4°       | 30.70                        | 40.0                        |
| 62040.W0050 | Steel           | M 6      | 31    | 26    | 32    | 6.6   | M20x1,0 | 4°       | 55.70                        | 65.0                        |
| 62040.W0051 | Steel           | M 8      | 31    | 26    | 32    | 9.0   | M20x1,0 | 4°       | 48.00                        | 65.0                        |
| 62040.W0052 | Steel           | M10      | 31    | 26    | 32    | 11.0  | M20x1,0 | 4°       | 37.90                        | 65.0                        |
| 62040.W0070 | Steel           | M10      | 41    | 34    | 45    | 11.0  | M30x1,5 | 4°       | 92.90                        | 120.0                       |
| 62040.W0071 | Steel           | M12      | 41    | 34    | 45    | 13.5  | M30x1,5 | 4°       | 80.40                        | 120.0                       |
| 62040.W0072 | Steel           | M16      | 41    | 34    | 45    | 17.5  | M30x1,5 | 4°       | 45.50                        | 120.0                       |
| 62040.W0090 | Steel           | M16      | 53    | 44    | 58    | 17.5  | M40x1,5 | 4°       | 136.00                       | 210.0                       |
| 62040.W0091 | Steel           | M20      | 53    | 44    | 58    | 22.0  | M40x1,5 | 4°       | 90.00                        | 210.0                       |
| 62040.W0092 | Steel           | M24      | 53    | 44    | 58    | 26.0  | M40x1,5 | 4°       | 37.00                        | 210.0                       |
| 62040.W0100 | Steel           | M20      | 60    | 50    | 70    | 22.0  | M50x1,5 | 4°       | 210.00                       | 330.0                       |
| 62040.W0101 | Steel           | M24      | 60    | 50    | 70    | 26.0  | M50x1,5 | 4°       | 157.00                       | 330.0                       |
| 62040.W0102 | Steel           | M30      | 60    | 50    | 70    | 33.0  | M50x1,5 | 4°       | 53.00                        | 330.0                       |
| 62040.W0538 | Stainless steel | M 4      | 26    | 22    | 25    | 4.5   | M15x1,0 | 4°       | 24.14                        | 27.1                        |
| 62040.W0539 | Stainless steel | M 5      | 26    | 22    | 25    | 5.5   | M15x1,0 | 4°       | 24.24                        | 27.1                        |
| 62040.W0540 | Stainless steel | M 6      | 26    | 22    | 25    | 6.6   | M15x1,0 | 4°       | 20.26                        | 27.1                        |
| 62040.W0550 | Stainless steel | M 6      | 31    | 26    | 32    | 6.6   | M20x1,0 | 4°       | 36.56                        | 43.4                        |
| 62040.W0551 | Stainless steel | M 8      | 31    | 26    | 32    | 9.0   | M20x1,0 | 4°       | 30.86                        | 43.4                        |
| 62040.W0552 | Stainless steel | M10      | 31    | 26    | 32    | 11.0  | M20x1,0 | 4°       | 23.41                        | 43.4                        |
| 62040.W0570 | Stainless steel | M10      | 41    | 34    | 45    | 11.0  | M30x1,5 | 4°       | 64.01                        | 84.0                        |
| 62040.W0571 | Stainless steel | M12      | 41    | 34    | 45    | 13.5  | M30x1,5 | 4°       | 54.82                        | 84.0                        |
| 62040.W0572 | Stainless steel | M16      | 41    | 34    | 45    | 17.5  | M30x1,5 | 4°       | 28.90                        | 84.0                        |
| 62040.W0590 | Stainless steel | M16      | 53    | 44    | 58    | 17.5  | M40x1,5 | 4°       | 92.90                        | 148.0                       |
| 62040.W0591 | Stainless steel | M20      | 53    | 44    | 58    | 22.0  | M40x1,5 | 4°       | 59.08                        | 148.0                       |
| 62040.W0592 | Stainless steel | M24      | 53    | 44    | 58    | 26.0  | M40x1,5 | 4°       | 20.30                        | 148.0                       |
| 62040.W0600 | Stainless steel | M20      | 60    | 50    | 70    | 22.0  | M50x1,5 | 4°       | 136.08                       | 225.0                       |
| 62040.W0601 | Stainless steel | M24      | 60    | 50    | 70    | 26.0  | M50x1,5 | 4°       | 97.30                        | 225.0                       |



# Tilt Head Precision Adjuster

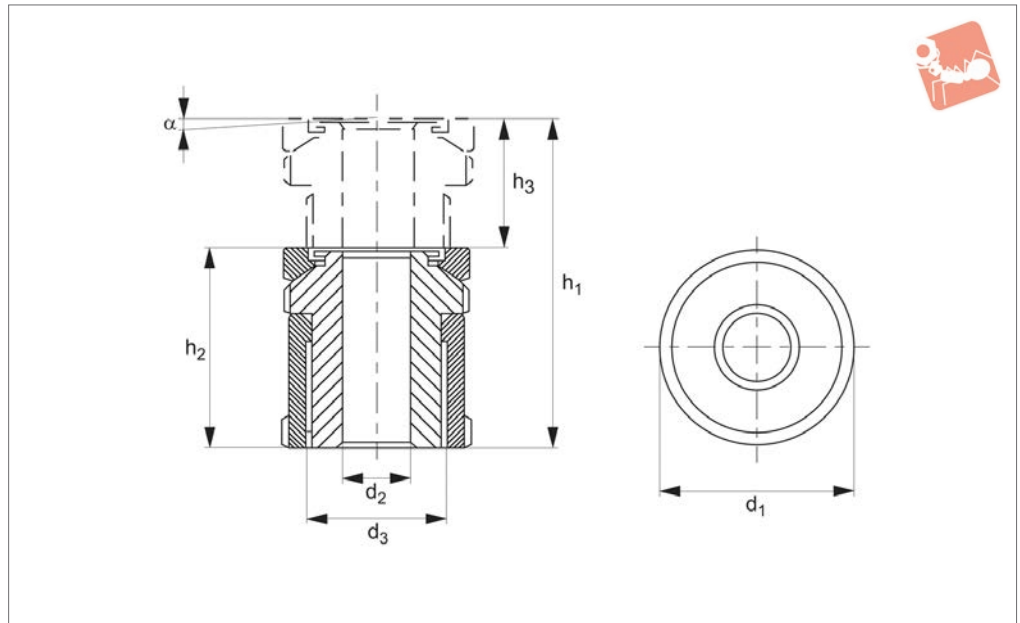
## Precision Level- ling Adjusters

| Order No.          | Material        | For bolt | $h_1$ | $h_2$ | $d_1$ | $d_2$ | $d_3$   | $\alpha$ | Load with bolt<br>kN<br>max. | Load w/o bolt<br>kN<br>max. |
|--------------------|-----------------|----------|-------|-------|-------|-------|---------|----------|------------------------------|-----------------------------|
| <b>62040.W0602</b> | Stainless steel | M30      | 60    | 50    | 70    | 33.0  | M50x1,5 | 4°       | 20.60                        | 225.0                       |





## 62100



### Material

Steel (type 42 CrMo4 V, 1.7225) zinc plated or stainless steel A1 (A4 on request).

### Technical Notes

After setting the height, the structure can be bolted down using a suitable 8,8

strength bolt.

The net load that the unit can carry is the maximum load less the tightening torque recommended for the bolt. Designed for applications where a wide adjustment range is required - height adjustment is

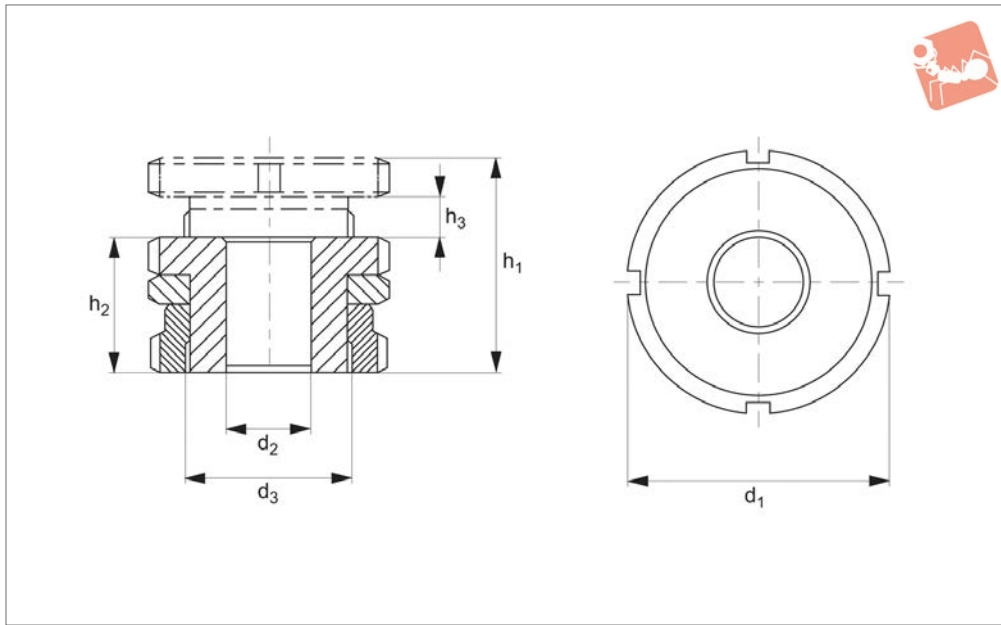
equal to 15 to 40mm.

| Order No.   | Material        | For bolt | $h_1$<br>min. | $h_2$<br>max. | $d_1$ | $d_2$ | $d_3$   | $\alpha$ app. | Load with bolt<br>kN<br>max. | Load w/o bolt<br>kN<br>max. |
|-------------|-----------------|----------|---------------|---------------|-------|-------|---------|---------------|------------------------------|-----------------------------|
| 62100.W0008 | Steel           | M 4      | 50            | 35            | 25    | 4.5   | M15x1,0 | 4°            | 36.00                        | 40.00                       |
| 62100.W0009 | Steel           | M 5      | 50            | 35            | 25    | 5.5   | M15x1,0 | 4°            | 33.40                        | 40.00                       |
| 62100.W0010 | Steel           | M 6      | 50            | 35            | 25    | 6.6   | M15x1,0 | 4°            | 30.70                        | 40.00                       |
| 62100.W0014 | Steel           | M 6      | 63            | 43            | 32    | 6.6   | M20x1,0 | 4°            | 56.70                        | 65.00                       |
| 62100.W0015 | Steel           | M 8      | 63            | 43            | 32    | 9.0   | M20x1,0 | 4°            | 48.90                        | 65.00                       |
| 62100.W0016 | Steel           | M10      | 63            | 43            | 32    | 11.0  | M20x1,0 | 4°            | 37.90                        | 65.00                       |
| 62100.W0017 | Steel           | M10      | 79            | 54            | 45    | 11.0  | M30x1,5 | 4°            | 92.90                        | 120.00                      |
| 62100.W0018 | Steel           | M12      | 79            | 54            | 45    | 13.5  | M30x1,5 | 4°            | 80.40                        | 120.00                      |
| 62100.W0019 | Steel           | M16      | 79            | 54            | 45    | 17.5  | M30x1,5 | 4°            | 45.50                        | 120.00                      |
| 62100.W0020 | Steel           | M16      | 102           | 70            | 58    | 17.5  | M40x1,5 | 4°            | 136.00                       | 210.00                      |
| 62100.W0021 | Steel           | M20      | 102           | 70            | 58    | 22.0  | M40x1,5 | 4°            | 90.80                        | 210.00                      |
| 62100.W0023 | Steel           | M24      | 102           | 70            | 58    | 26.0  | M40x1,5 | 4°            | 37.00                        | 210.00                      |
| 62100.W0030 | Steel           | M20      | 123           | 83            | 70    | 22.0  | M50x1,5 | 4°            | 210.00                       | 330.00                      |
| 62100.W0031 | Steel           | M24      | 123           | 83            | 70    | 26.0  | M50x1,5 | 4°            | 157.00                       | 330.00                      |
| 62100.W0032 | Steel           | M30      | 123           | 83            | 70    | 33.0  | M50x1,5 | 4°            | 53.00                        | 330.00                      |
| 62100.W0508 | Stainless Steel | M 4      | 50            | 35            | 25    | 4.5   | M15x1,0 | 4°            | 24.14                        | 27.10                       |
| 62100.W0509 | Stainless Steel | M 5      | 50            | 35            | 25    | 5.5   | M15x1,0 | 4°            | 22.24                        | 27.10                       |
| 62100.W0510 | Stainless Steel | M 6      | 50            | 35            | 25    | 6.6   | M15x1,0 | 4°            | 20.26                        | 27.10                       |
| 62100.W0514 | Stainless Steel | M 6      | 63            | 43            | 32    | 6.6   | M20x1,0 | 4°            | 36.56                        | 43.40                       |
| 62100.W0515 | Stainless Steel | M 8      | 63            | 43            | 32    | 9.0   | M20x1,0 | 4°            | 30.86                        | 43.40                       |
| 62100.W0516 | Stainless Steel | M10      | 63            | 43            | 32    | 11.0  | M20x1,0 | 4°            | 23.41                        | 43.40                       |
| 62100.W0517 | Stainless Steel | M10      | 79            | 54            | 45    | 11.0  | M30x1,5 | 4°            | 64.01                        | 84.00                       |
| 62100.W0518 | Stainless Steel | M12      | 79            | 54            | 45    | 13.5  | M30x1,5 | 4°            | 54.52                        | 84.00                       |
| 62100.W0519 | Stainless Steel | M16      | 79            | 54            | 45    | 17.5  | M30x1,5 | 4°            | 28.90                        | 84.00                       |
| 62100.W0520 | Stainless Steel | M16      | 102           | 70            | 58    | 17.5  | M40x1,5 | 4°            | 92.90                        | 148.00                      |
| 62100.W0521 | Stainless Steel | M20      | 102           | 70            | 58    | 22.0  | M40x1,5 | 4°            | 59.08                        | 148.00                      |
| 62100.W0523 | Stainless Steel | M24      | 102           | 70            | 58    | 26.0  | M40x1,5 | 4°            | 20.30                        | 148.00                      |
| 62100.W0530 | Stainless Steel | M20      | 123           | 83            | 70    | 22.0  | M50x1,5 | 4°            | 136.08                       | 225.00                      |
| 62100.W0531 | Stainless Steel | M24      | 123           | 83            | 70    | 26.0  | M50x1,5 | 4°            | 97.30                        | 225.00                      |
| 62100.W0532 | Stainless Steel | M30      | 123           | 83            | 70    | 33.0  | M50x1,5 | 4°            | 20.60                        | 225.00                      |



# Precision Adjuster with locking nut

# Precision Level- ling Adjusters



## 62002

PRECISION LEVELLING ADJUSTERS

### Material

Steel (type 42 CrMo4 V, 1.7225) zinc plated or stainless steel A1 (A4 on request).

### Technical Notes

After setting the height, the structure can be bolted down using a suitable 8,8

strength bolt.

The net load that the unit can carry is the maximum load less the tightening torque recommended for the bolt. Designed for applications with limited space. Height adjustment is between 4 and 10mm. The

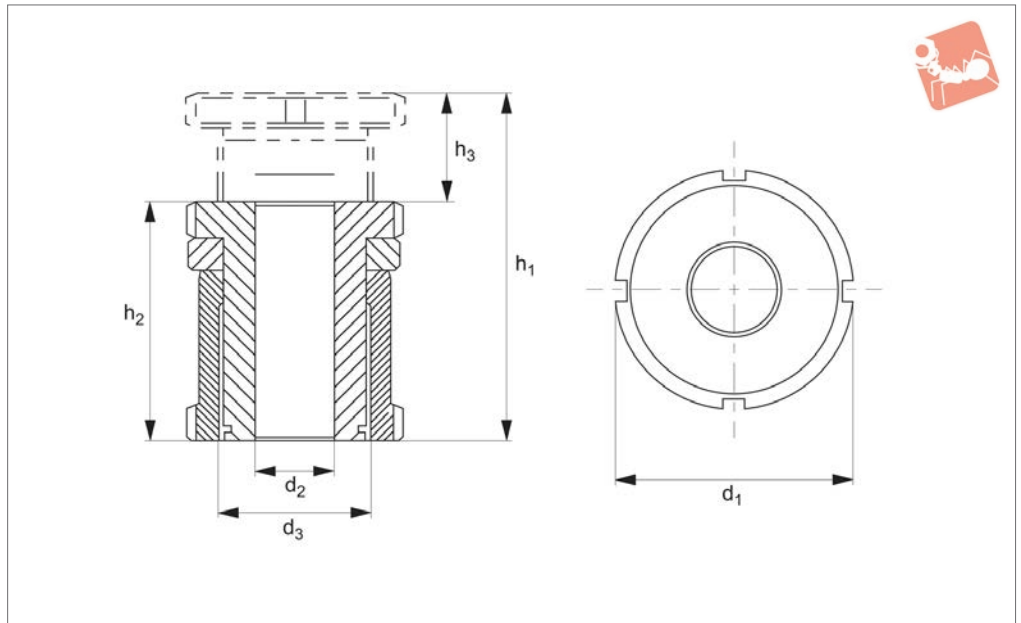
lock nut included enables the adjuster to be secured in a present position and is recommended for use on applications with a dynamic load or where fasteners are not used.

| Order No.   | Material        | For bolt | $h_1$ | $h_2$ | $h_3$ | $d_1$ | $d_2$ | $d_3$   | Load with bolt<br>kN<br>max. | Load w/o bolt<br>kN<br>max. |
|-------------|-----------------|----------|-------|-------|-------|-------|-------|---------|------------------------------|-----------------------------|
| 62002.W0038 | Steel           | M 4      | 24    | 20    | 4     | 25    | 4.5   | M15x1,0 | 36.00                        | 40.00                       |
| 62002.W0039 | Steel           | M 5      | 24    | 20    | 4     | 25    | 5.5   | M15x1,0 | 33.40                        | 40.00                       |
| 62002.W0040 | Steel           | M 6      | 24    | 20    | 4     | 25    | 6.6   | M15x1,0 | 30.70                        | 40.00                       |
| 62002.W0050 | Steel           | M 6      | 29    | 24    | 5     | 32    | 6.6   | M20x1,0 | 55.70                        | 65.00                       |
| 62002.W0051 | Steel           | M 8      | 29    | 24    | 5     | 32    | 9.0   | M20x1,0 | 48.00                        | 65.00                       |
| 62002.W0052 | Steel           | M10      | 29    | 24    | 5     | 32    | 11.0  | M20x1,0 | 37.90                        | 65.00                       |
| 62002.W0070 | Steel           | M10      | 36    | 29    | 7     | 45    | 11.0  | M30x1,5 | 92.90                        | 120.00                      |
| 62002.W0071 | Steel           | M12      | 36    | 29    | 7     | 45    | 13.5  | M30x1,5 | 80.40                        | 120.00                      |
| 62002.W0072 | Steel           | M16      | 36    | 29    | 7     | 45    | 17.5  | M30x1,5 | 45.50                        | 120.00                      |
| 62002.W0090 | Steel           | M16      | 46    | 37    | 9     | 58    | 17.5  | M40x1,5 | 136.00                       | 210.00                      |
| 62002.W0091 | Steel           | M20      | 46    | 37    | 9     | 58    | 22.0  | M40x1,5 | 90.00                        | 210.00                      |
| 62002.W0092 | Steel           | M24      | 46    | 37    | 9     | 58    | 26.0  | M40x1,5 | 37.00                        | 210.00                      |
| 62002.W0100 | Steel           | M20      | 54    | 44    | 10    | 70    | 22.0  | M50x1,5 | 210.00                       | 330.00                      |
| 62002.W0101 | Steel           | M24      | 54    | 44    | 10    | 70    | 26.0  | M50x1,5 | 157.00                       | 330.00                      |
| 62002.W0102 | Steel           | M30      | 54    | 44    | 10    | 70    | 33.0  | M50x1,5 | 53.00                        | 330.00                      |
| 62002.W0538 | Stainless Steel | M 4      | 24    | 20    | 4     | 25    | 4.5   | M15x1,0 | 24.14                        | 27.10                       |
| 62002.W0539 | Stainless Steel | M 5      | 24    | 20    | 4     | 25    | 5.5   | M15x1,0 | 24.14                        | 27.10                       |
| 62002.W0540 | Stainless Steel | M 6      | 24    | 20    | 4     | 25    | 6.6   | M15x1,0 | 20.26                        | 27.10                       |
| 62002.W0550 | Stainless Steel | M 6      | 29    | 24    | 5     | 32    | 6.6   | M20x1,0 | 36.56                        | 43.40                       |
| 62002.W0551 | Stainless Steel | M 8      | 29    | 24    | 5     | 32    | 9.0   | M20x1,0 | 30.86                        | 43.40                       |
| 62002.W0552 | Stainless Steel | M10      | 29    | 24    | 5     | 32    | 11.0  | M20x1,0 | 23.41                        | 43.40                       |
| 62002.W0570 | Stainless Steel | M10      | 36    | 29    | 7     | 45    | 11.0  | M30x1,5 | 64.01                        | 84.00                       |
| 62002.W0571 | Stainless Steel | M12      | 36    | 29    | 7     | 45    | 13.5  | M30x1,5 | 54.82                        | 84.00                       |
| 62002.W0572 | Stainless Steel | M16      | 36    | 29    | 7     | 45    | 17.5  | M30x1,5 | 28.90                        | 84.00                       |
| 62002.W0590 | Stainless Steel | M16      | 46    | 37    | 9     | 58    | 17.5  | M40x1,5 | 92.90                        | 148.00                      |
| 62002.W0591 | Stainless Steel | M20      | 46    | 37    | 9     | 58    | 22.0  | M40x1,5 | 59.08                        | 148.00                      |
| 62002.W0592 | Stainless Steel | M24      | 46    | 37    | 9     | 58    | 26.0  | M40x1,5 | 20.30                        | 148.00                      |
| 62002.W0600 | Stainless Steel | M20      | 54    | 44    | 10    | 70    | 22.0  | M50x1,5 | 136.08                       | 225.00                      |
| 62002.W0601 | Stainless Steel | M24      | 54    | 44    | 10    | 70    | 26.0  | M50x1,5 | 59.08                        | 225.00                      |
| 62002.W0602 | Stainless Steel | M30      | 54    | 44    | 10    | 70    | 33.0  | M50x1,5 | 20.60                        | 225.00                      |





## 62080



### Material

Steel (type 42 CrMo4 V, 1.7225) zinc plated or stainless steel A1 (A4 on request).

### Technical Notes

After setting the height, the structure can be bolted down using a suitable 8,8

strength bolt.

The net load that the unit can carry is the maximum load less the tightening torque recommended for the bolt.

Designed for applications with a dynamic load, or where no fasteners are used. The

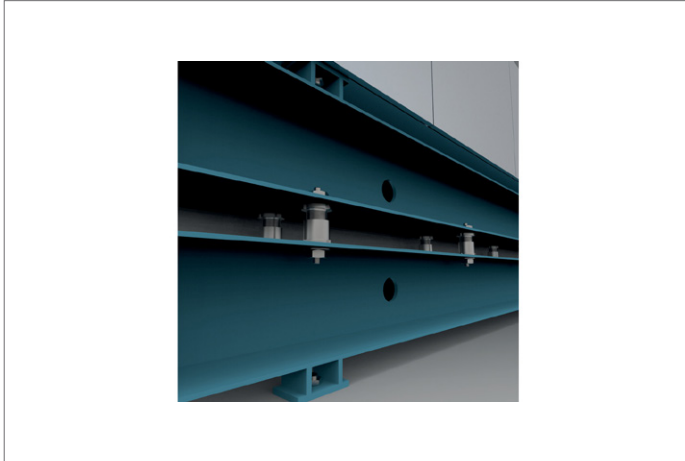
locknut enables locking of the adjuster in a pre-set position.

| Order No.   | Material        | For bolt | $h_1$ | $h_2$ | $h_3$ | $d_1$ | $d_2$ | $d_3$   | Load with bolt<br>kN<br>max. | Load w/o bolt<br>kN<br>max. |
|-------------|-----------------|----------|-------|-------|-------|-------|-------|---------|------------------------------|-----------------------------|
| 62080.W0008 | Steel           | M 4      | 43    | 33    | 10    | 25    | 4.5   | M15x1,0 | 36.00                        | 40.00                       |
| 62080.W0009 | Steel           | M 5      | 43    | 33    | 10    | 25    | 5.5   | M15x1,0 | 33.40                        | 40.00                       |
| 62080.W0010 | Steel           | M 6      | 43    | 33    | 10    | 25    | 6.6   | M15x1,0 | 30.70                        | 40.00                       |
| 62080.W0014 | Steel           | M 6      | 55    | 41    | 14    | 32    | 6.6   | M20x1,0 | 55.70                        | 65.00                       |
| 62080.W0015 | Steel           | M 8      | 55    | 41    | 14    | 32    | 9.0   | M20x1,0 | 48.00                        | 65.00                       |
| 62080.W0016 | Steel           | M10      | 55    | 41    | 14    | 32    | 11.0  | M20x1,0 | 37.90                        | 65.00                       |
| 62080.W0017 | Steel           | M10      | 67    | 49    | 18    | 45    | 11.0  | M30x1,5 | 92.90                        | 120.00                      |
| 62080.W0018 | Steel           | M12      | 67    | 49    | 18    | 45    | 13.5  | M30x1,5 | 80.40                        | 120.00                      |
| 62080.W0019 | Steel           | M16      | 67    | 49    | 18    | 45    | 17.5  | M30x1,5 | 45.50                        | 120.00                      |
| 62080.W0020 | Steel           | M16      | 86    | 63    | 23    | 58    | 17.5  | M40x1,5 | 136.00                       | 210.00                      |
| 62080.W0021 | Steel           | M20      | 86    | 63    | 23    | 58    | 22.0  | M40x1,5 | 90.00                        | 210.00                      |
| 62080.W0023 | Steel           | M24      | 86    | 63    | 23    | 58    | 26.0  | M40x1,5 | 37.00                        | 210.00                      |
| 62080.W0030 | Steel           | M20      | 106   | 77    | 29    | 70    | 22.0  | M50x1,5 | 210.00                       | 330.00                      |
| 62080.W0031 | Steel           | M24      | 106   | 77    | 29    | 70    | 26.0  | M50x1,5 | 157.00                       | 330.00                      |
| 62080.W0032 | Steel           | M30      | 106   | 77    | 29    | 70    | 33.0  | M50x1,5 | 53.00                        | 330.00                      |
| 62080.W0508 | Stainless steel | M 4      | 43    | 33    | 10    | 25    | 4.5   | M15x1,0 | 24.14                        | 27.10                       |
| 62080.W0509 | Stainless steel | M 5      | 43    | 33    | 10    | 25    | 5.5   | M15x1,0 | 22.24                        | 27.10                       |
| 62080.W0510 | Stainless steel | M 6      | 43    | 33    | 10    | 25    | 6.6   | M15x1,0 | 20.26                        | 27.10                       |
| 62080.W0514 | Stainless steel | M 6      | 55    | 41    | 14    | 32    | 6.6   | M20x1,0 | 36.56                        | 43.40                       |
| 62080.W0515 | Stainless steel | M 8      | 55    | 41    | 14    | 32    | 9.0   | M20x1,0 | 30.86                        | 43.40                       |
| 62080.W0516 | Stainless steel | M10      | 55    | 41    | 14    | 32    | 11.0  | M20x1,0 | 23.41                        | 43.40                       |
| 62080.W0517 | Stainless steel | M10      | 67    | 49    | 18    | 45    | 11.0  | M30x1,5 | 64.01                        | 84.00                       |
| 62080.W0518 | Stainless steel | M12      | 67    | 49    | 18    | 45    | 13.5  | M30x1,5 | 54.82                        | 84.00                       |
| 62080.W0519 | Stainless steel | M16      | 67    | 49    | 18    | 45    | 17.5  | M30x1,5 | 28.90                        | 84.00                       |
| 62080.W0520 | Stainless steel | M16      | 86    | 63    | 23    | 58    | 17.5  | M40x1,5 | 92.90                        | 148.00                      |
| 62080.W0521 | Stainless steel | M20      | 86    | 63    | 23    | 58    | 22.0  | M40x1,5 | 59.08                        | 148.00                      |
| 62080.W0523 | Stainless steel | M24      | 86    | 63    | 23    | 58    | 26.0  | M40x1,5 | 20.30                        | 148.00                      |
| 62080.W0530 | Stainless steel | M20      | 106   | 77    | 29    | 70    | 22.0  | M50x1,5 | 136.08                       | 225.00                      |
| 62080.W0531 | Stainless steel | M24      | 106   | 77    | 29    | 70    | 26.0  | M50x1,5 | 97.30                        | 225.00                      |
| 62080.W0532 | Stainless steel | M30      | 106   | 77    | 29    | 70    | 33.0  | M50x1,5 | 20.60                        | 225.00                      |



# Precision Adjuster with locking nut

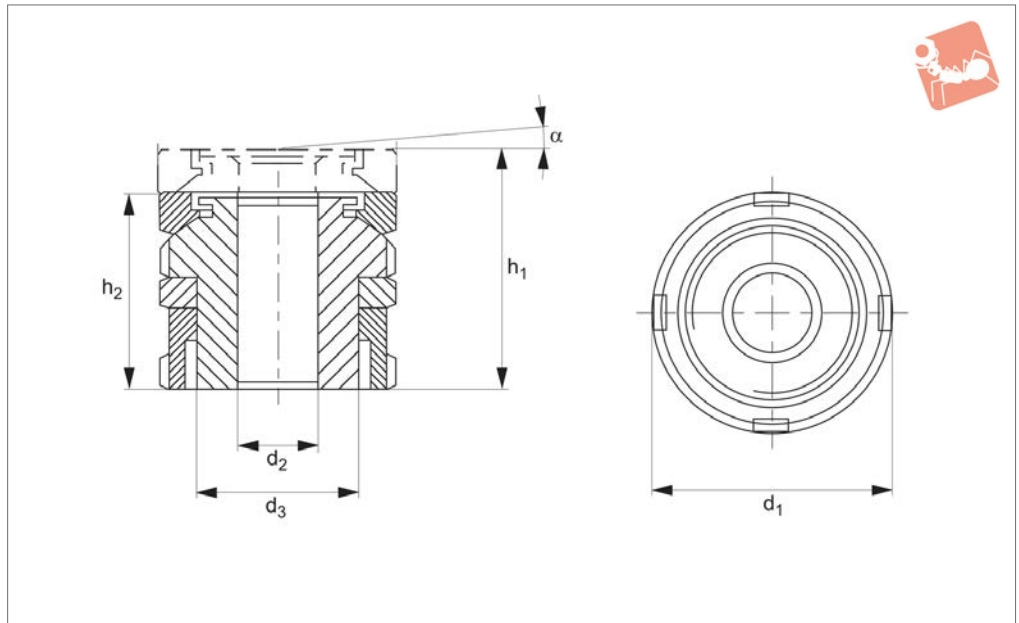
# Precision Level- ling Adjusters



PRECISION LEVELLING ADJUSTERS



## 62042



### Material

Steel (type 42 CrMo4 V, 1.7225) zinc plated or stainless steel A1 (A4 on request).

### Technical Notes

The application of the ball head precision adjuster with lock nut facilitates precise

adjustment of non-parallel surfaces with a maximum adjustment angle of symbol  $\alpha$ / symbol  $4^\circ$ . The lock nut included enables the adjuster to be secured in a present position. The static net load is calculable after subtracting the pre-load (bolt

strength class 8.8) from the total load. The lock nut included enables the adjuster to be secured in a preset position.

| Order No.   | Material        | For bolt | $h_1$<br>min. | $h_2$<br>max. | $d_1$ | $d_2$ | $d_3$   | $\alpha$ app. | Load with bolt<br>kN<br>max. | Load w/o bolt<br>kN<br>max. |
|-------------|-----------------|----------|---------------|---------------|-------|-------|---------|---------------|------------------------------|-----------------------------|
| 62042.W0038 | Steel           | M 4      | 31            | 27            | 25    | 4.5   | M15x1,0 | 4°            | 36.00                        | 40.00                       |
| 62042.W0039 | Steel           | M 5      | 31            | 27            | 25    | 5.5   | M15x1,0 | 4°            | 33.40                        | 40.00                       |
| 62042.W0040 | Steel           | M 6      | 31            | 27            | 25    | 6.6   | M15x1,0 | 4°            | 30.70                        | 40.00                       |
| 62042.W0050 | Steel           | M 6      | 37            | 32            | 32    | 6.6   | M20x1,0 | 4°            | 55.70                        | 65.00                       |
| 62042.W0051 | Steel           | M 8      | 37            | 32            | 32    | 9.0   | M20x1,0 | 4°            | 48.00                        | 65.00                       |
| 62042.W0052 | Steel           | M10      | 37            | 32            | 32    | 11.0  | M20x1,0 | 4°            | 37.90                        | 65.00                       |
| 62042.W0070 | Steel           | M10      | 48            | 41            | 45    | 11.0  | M30x1,5 | 4°            | 92.90                        | 120.00                      |
| 62042.W0071 | Steel           | M12      | 48            | 41            | 45    | 13.5  | M30x1,5 | 4°            | 80.40                        | 120.00                      |
| 62042.W0072 | Steel           | M16      | 48            | 41            | 45    | 17.5  | M30x1,5 | 4°            | 45.50                        | 120.00                      |
| 62042.W0090 | Steel           | M16      | 62            | 53            | 58    | 17.5  | M40x1,5 | 4°            | 136.00                       | 210.00                      |
| 62042.W0091 | Steel           | M20      | 62            | 53            | 58    | 22.0  | M40x1,5 | 4°            | 90.00                        | 210.00                      |
| 62042.W0092 | Steel           | M24      | 62            | 53            | 58    | 26.0  | M40x1,5 | 4°            | 37.00                        | 210.00                      |
| 62042.W0100 | Steel           | M20      | 71            | 61            | 70    | 26.0  | M50x1,5 | 4°            | 136.00                       | 330.00                      |
| 62042.W0101 | Steel           | M24      | 71            | 61            | 70    | 33.0  | M50x1,5 | 4°            | 157.00                       | 330.00                      |
| 62042.W0102 | Steel           | M30      | 71            | 61            | 70    | 39.0  | M50x1,5 | 4°            | 53.00                        | 330.00                      |
| 62042.W0538 | Stainless Steel | M 4      | 31            | 27            | 25    | 4.5   | M15x1,0 | 4°            | 36.00                        | 27.10                       |
| 62042.W0539 | Stainless Steel | M 5      | 31            | 27            | 25    | 5.5   | M15x1,0 | 4°            | 33.40                        | 27.10                       |
| 62042.W0540 | Stainless Steel | M 6      | 31            | 27            | 25    | 6.6   | M15x1,0 | 4°            | 30.70                        | 27.10                       |
| 62042.W0550 | Stainless Steel | M 6      | 37            | 32            | 32    | 6.6   | M20x1,0 | 4°            | 36.56                        | 43.40                       |
| 62042.W0551 | Stainless Steel | M 8      | 37            | 32            | 32    | 9.0   | M20x1,0 | 4°            | 30.86                        | 43.40                       |
| 62042.W0552 | Stainless Steel | M10      | 37            | 32            | 32    | 11.0  | M20x1,0 | 4°            | 23.41                        | 43.40                       |
| 62042.W0570 | Stainless Steel | M10      | 48            | 41            | 45    | 11.0  | M30x1,5 | 4°            | 64.01                        | 84.00                       |
| 62042.W0571 | Stainless Steel | M12      | 48            | 41            | 45    | 13.5  | M30x1,5 | 4°            | 54.82                        | 84.00                       |
| 62042.W0572 | Stainless Steel | M16      | 48            | 41            | 45    | 17.5  | M30x1,5 | 4°            | 28.90                        | 84.00                       |
| 62042.W0590 | Stainless Steel | M16      | 62            | 53            | 58    | 17.5  | M40x1,5 | 4°            | 92.90                        | 148.00                      |
| 62042.W0591 | Stainless Steel | M20      | 62            | 53            | 58    | 22.0  | M40x1,5 | 4°            | 59.08                        | 148.00                      |
| 62042.W0592 | Stainless Steel | M24      | 62            | 53            | 58    | 26.0  | M40x1,5 | 4°            | 20.30                        | 148.00                      |
| 62042.W0600 | Stainless Steel | M20      | 71            | 61            | 70    | 26.0  | M50x1,5 | 4°            | 136.08                       | 225.00                      |
| 62042.W0601 | Stainless Steel | M24      | 71            | 61            | 70    | 33.0  | M50x1,5 | 4°            | 97.30                        | 225.00                      |
| 62042.W0602 | Stainless Steel | M30      | 71            | 61            | 70    | 39.0  | M50x1,5 | 4°            | 20.60                        | 225.00                      |

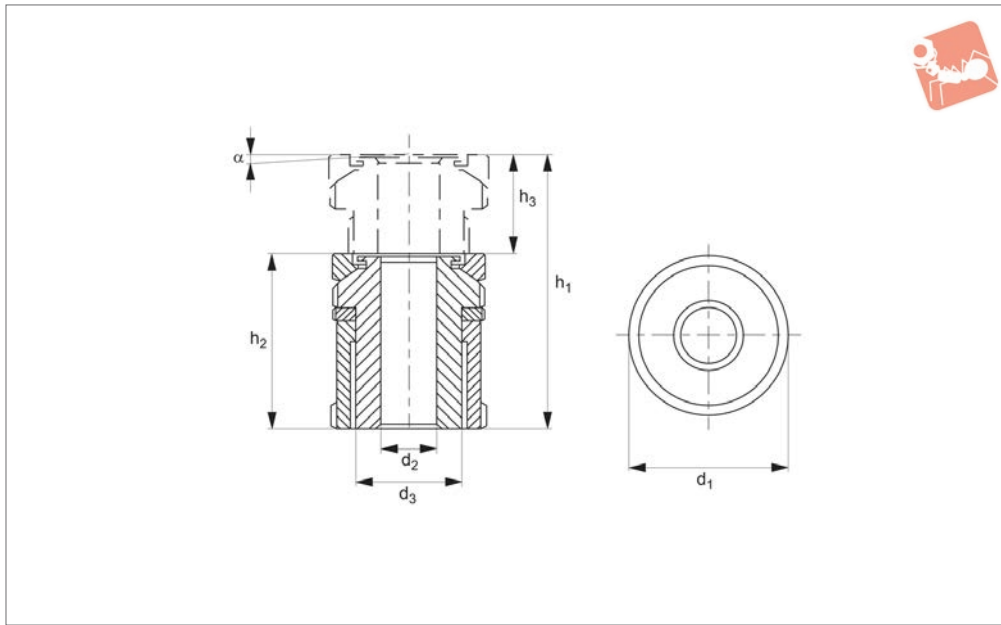




# Tilt Head Precision Adjuster

tall with locking nut

## Precision Leveling Adjusters



**62120**

PRECISION LEVELLING ADJUSTERS

### Material

Steel (type 42 CrMo4 V, 1.7225) zinc plated or stainless steel A1 (A4 on request).

### Technical Notes

After setting the height, the structure can be bolted down using a suitable 8,8

strength bolt.

The net load that the unit can carry is the maximum load less the tightening torque recommended for the bolt.

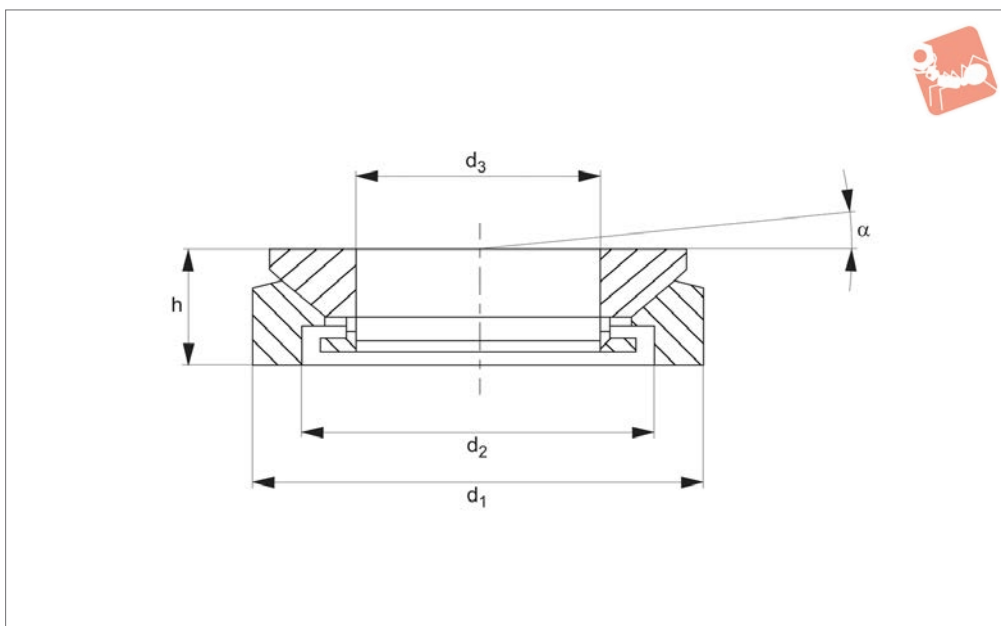
Designed for applications where a wide adjustment range is required - height

adjustment is equal to 15 to 40mm.

| Order No.   | Material        | For bolt | $h_1$ | $h_2$ | $h_3$ | $d_1$ | $d_2$ | $d_3$   | $\alpha$ app. | Load with bolt<br>kN<br>max. | Load w/o bolt<br>kN<br>max. |
|-------------|-----------------|----------|-------|-------|-------|-------|-------|---------|---------------|------------------------------|-----------------------------|
| 62120.W0008 | Steel           | M 4      | 50    | 40    | 10    | 25    | 4.5   | M15x1,0 | 4°            | 36.00                        | 40.00                       |
| 62120.W0009 | Steel           | M 5      | 50    | 40    | 10    | 25    | 5.5   | M15x1,0 | 4°            | 33.40                        | 40.00                       |
| 62120.W0010 | Steel           | M 6      | 50    | 40    | 10    | 25    | 6.5   | M15x1,0 | 4°            | 30.70                        | 40.00                       |
| 62120.W0014 | Steel           | M 6      | 63    | 49    | 14    | 32    | 6.6   | M20x1,0 | 4°            | 55.70                        | 65.00                       |
| 62120.W0015 | Steel           | M 8      | 63    | 49    | 14    | 32    | 9.0   | M20x1,0 | 4°            | 48.00                        | 65.00                       |
| 62120.W0016 | Steel           | M10      | 63    | 49    | 14    | 32    | 11.0  | M20x1,0 | 4°            | 37.90                        | 65.00                       |
| 62120.W0017 | Steel           | M10      | 79    | 61    | 18    | 45    | 11.0  | M30x1,5 | 4°            | 92.90                        | 120.00                      |
| 62120.W0018 | Steel           | M12      | 79    | 61    | 18    | 45    | 13.5  | M30x1,5 | 4°            | 80.40                        | 120.00                      |
| 62120.W0019 | Steel           | M16      | 79    | 61    | 18    | 45    | 17.5  | M30x1,5 | 4°            | 45.50                        | 120.00                      |
| 62120.W0020 | Steel           | M16      | 102   | 79    | 23    | 58    | 17.5  | M40x1,5 | 4°            | 136.00                       | 210.00                      |
| 62120.W0021 | Steel           | M20      | 102   | 79    | 23    | 58    | 22.0  | M40x1,5 | 4°            | 90.00                        | 210.00                      |
| 62120.W0023 | Steel           | M24      | 102   | 79    | 23    | 58    | 26.0  | M40x1,5 | 4°            | 37.00                        | 210.00                      |
| 62120.W0030 | Steel           | M20      | 123   | 94    | 29    | 70    | 22.0  | M50x1,5 | 4°            | 210.00                       | 330.00                      |
| 62120.W0031 | Steel           | M24      | 123   | 94    | 29    | 70    | 26.0  | M50x1,5 | 4°            | 157.00                       | 330.00                      |
| 62120.W0032 | Steel           | M30      | 123   | 94    | 29    | 70    | 33.0  | M50x1,5 | 4°            | 53.00                        | 330.00                      |
| 62120.W0508 | Stainless steel | M 4      | 50    | 40    | 10    | 25    | 4.5   | M15x1,0 | 4°            | 24.14                        | 27.10                       |
| 62120.W0509 | Stainless steel | M 5      | 50    | 40    | 10    | 25    | 5.5   | M15x1,0 | 4°            | 22.24                        | 27.10                       |
| 62120.W0510 | Stainless steel | M 6      | 50    | 40    | 10    | 25    | 6.5   | M15x1,0 | 4°            | 20.26                        | 27.10                       |
| 62120.W0514 | Stainless steel | M 6      | 63    | 49    | 14    | 32    | 6.6   | M20x1,0 | 4°            | 36.56                        | 43.40                       |
| 62120.W0515 | Stainless steel | M 8      | 63    | 49    | 14    | 32    | 9.0   | M20x1,0 | 4°            | 30.86                        | 43.40                       |
| 62120.W0516 | Stainless steel | M10      | 63    | 49    | 14    | 32    | 11.0  | M20x1,0 | 4°            | 23.41                        | 43.40                       |
| 62120.W0517 | Stainless steel | M10      | 79    | 61    | 18    | 45    | 11.0  | M30x1,5 | 4°            | 64.01                        | 84.00                       |
| 62120.W0518 | Stainless steel | M12      | 79    | 61    | 18    | 45    | 13.5  | M30x1,5 | 4°            | 54.82                        | 84.00                       |
| 62120.W0519 | Stainless steel | M16      | 79    | 61    | 18    | 45    | 17.5  | M30x1,5 | 4°            | 28.90                        | 84.00                       |
| 62120.W0520 | Stainless steel | M16      | 102   | 79    | 23    | 58    | 17.5  | M40x1,5 | 4°            | 92.90                        | 148.00                      |
| 62120.W0521 | Stainless steel | M20      | 102   | 79    | 23    | 58    | 22.0  | M40x1,5 | 4°            | 59.08                        | 148.00                      |
| 62120.W0523 | Stainless steel | M24      | 102   | 79    | 23    | 58    | 26.0  | M40x1,5 | 4°            | 20.30                        | 148.00                      |
| 62120.W0530 | Stainless steel | M20      | 123   | 94    | 29    | 70    | 22.0  | M50x1,5 | 4°            | 136.08                       | 225.00                      |
| 62120.W0531 | Stainless steel | M24      | 123   | 94    | 29    | 70    | 26.0  | M50x1,5 | 4°            | 97.30                        | 225.00                      |
| 62120.W0532 | Stainless steel | M30      | 123   | 94    | 29    | 70    | 33.0  | M50x1,5 | 4°            | 20.60                        | 225.00                      |



## 62140



### Material

Steel (type 42 CrMo4 V, 1.7225) zinc plated or stainless steel A1 (A4 on request).

### Technical Notes

Compensates for non-level surfaces with a maximum angle of tilt 4°. Please remember

that the fixing screw and washer may also require support if the bearing surface is out of parallel by more than 1°.

The ball shim has no height adjustment feature.

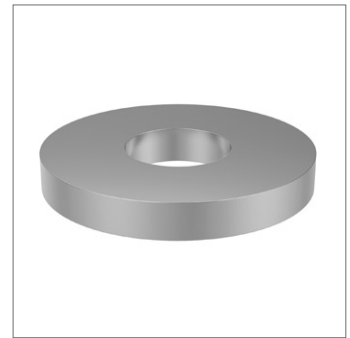
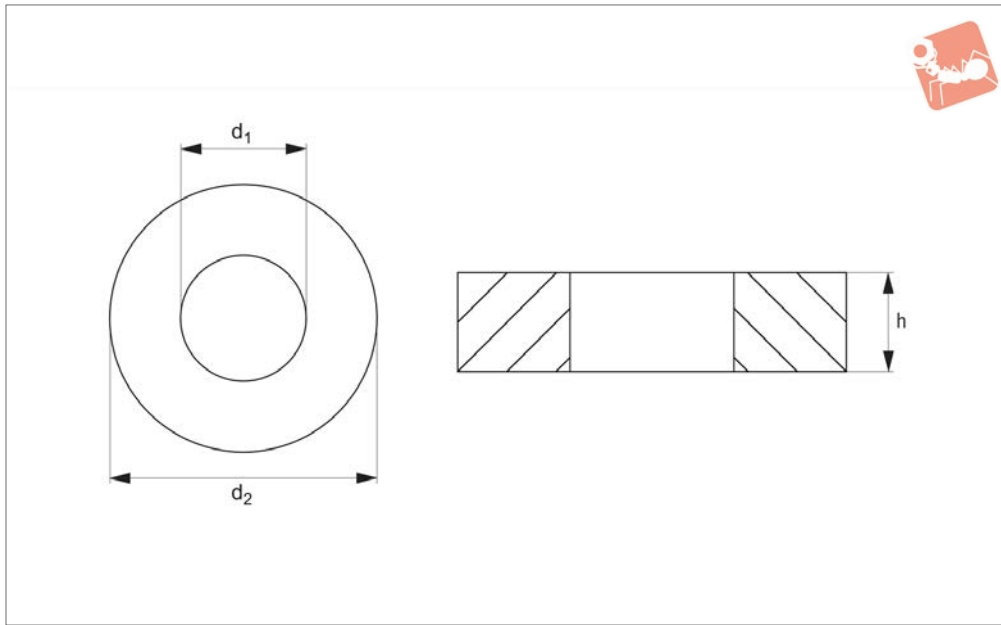
| Order No.   | Material        | For bolt | d <sub>1</sub> | d <sub>2</sub> | d <sub>3</sub> | h    | α app. |
|-------------|-----------------|----------|----------------|----------------|----------------|------|--------|
| 62140.W0015 | Steel           | M 6      | 25             | 15             | 8.5            | 8.0  | 4°     |
| 62140.W0020 | Steel           | M10      | 32             | 20             | 13.0           | 10.0 | 4°     |
| 62140.W0030 | Steel           | M16      | 45             | 30             | 20.0           | 12.5 | 4°     |
| 62140.W0040 | Steel           | M24      | 58             | 38             | 29.0           | 16.0 | 4°     |
| 62140.W0050 | Steel           | M30      | 70             | 48             | 36.0           | 20.0 | 4°     |
| 62140.W0060 | Steel           | M36      | 80             | 61             | 44.0           | 20.0 | 4°     |
| 62140.W0080 | Steel           | M48      | 105            | 78             | 58.0           | 25.0 | 4°     |
| 62140.W0515 | Stainless steel | M 6      | 25             | 15             | 8.5            | 8.0  | 4°     |
| 62140.W0520 | Stainless steel | M10      | 32             | 20             | 13.0           | 10.0 | 4°     |
| 62140.W0530 | Stainless steel | M16      | 45             | 30             | 20.0           | 12.5 | 4°     |
| 62140.W0540 | Stainless steel | M24      | 58             | 38             | 29.0           | 16.0 | 4°     |
| 62140.W0550 | Stainless steel | M30      | 70             | 48             | 36.0           | 20.0 | 4°     |
| 62140.W0560 | Stainless steel | M36      | 80             | 61             | 44.0           | 20.0 | 4°     |
| 62140.W0580 | Stainless steel | M48      | 105            | 78             | 58.0           | 25.0 | 4°     |



# Spacers

for part nos. 62000 to 62140

# Precision Level-ling Adjusters



**62160**

PRECISION LEVELLING ADJUSTERS

### Material

Steel (type 42 CrMo4 V, 1.7225) zinc plated or stainless steel A1 (A4 on request).

### Technical Notes

Used to bridge gaps on applications where the height adjustment of an adjuster is

insufficient.

| Order No.   | Material        | For bolt | d <sub>1</sub> | d <sub>2</sub> | h  |
|-------------|-----------------|----------|----------------|----------------|----|
| 62160.W0015 | Steel           | M 6      | 6.6            | 25             | 4  |
| 62160.W0020 | Steel           | M10      | 11.0           | 32             | 5  |
| 62160.W0030 | Steel           | M16      | 17.5           | 45             | 6  |
| 62160.W0040 | Steel           | M24      | 26.0           | 58             | 8  |
| 62160.W0050 | Steel           | M30      | 33.0           | 70             | 10 |
| 62160.W0060 | Steel           | M36      | 39.0           | 80             | 12 |
| 62160.W0080 | Steel           | M48      | 52.0           | 105            | 16 |
| 62160.W0515 | Stainless steel | M 6      | 6.6            | 25             | 4  |
| 62160.W0520 | Stainless steel | M10      | 11.0           | 32             | 5  |
| 62160.W0530 | Stainless steel | M16      | 17.5           | 45             | 6  |
| 62160.W0540 | Stainless steel | M24      | 26.0           | 58             | 8  |
| 62160.W0550 | Stainless steel | M30      | 33.0           | 70             | 10 |
| 62160.W0560 | Stainless steel | M36      | 39.0           | 80             | 12 |
| 62160.W0580 | Stainless steel | M48      | 52.0           | 105            | 16 |