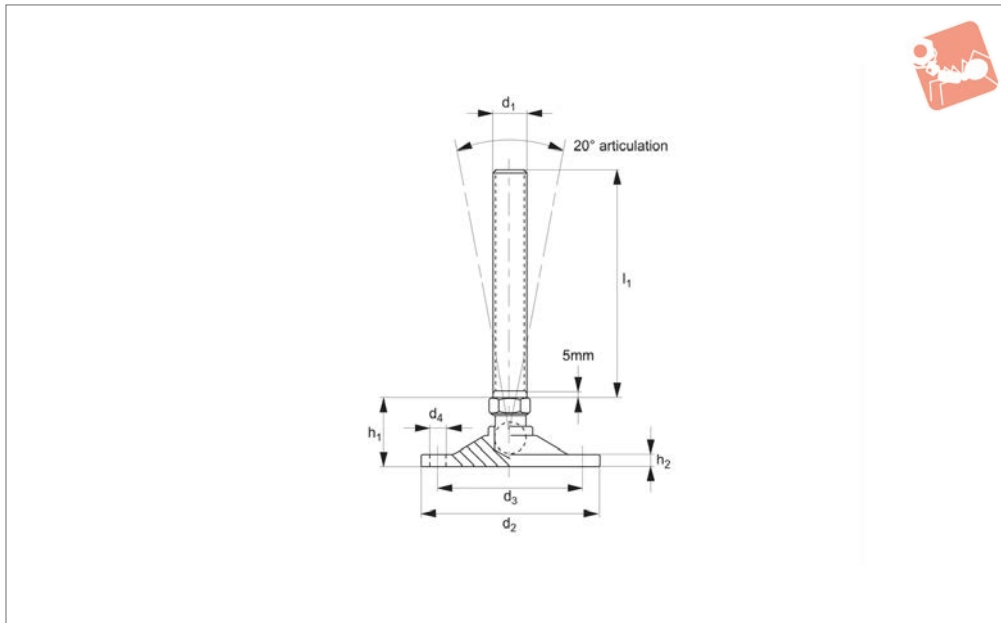




# Levelling Feet - Bolt Down pad and bolt steel

## Levelling Feet



**34702**

LEVELLING FEET

### Material

Pad and bolt: mild steel, nickel plated.

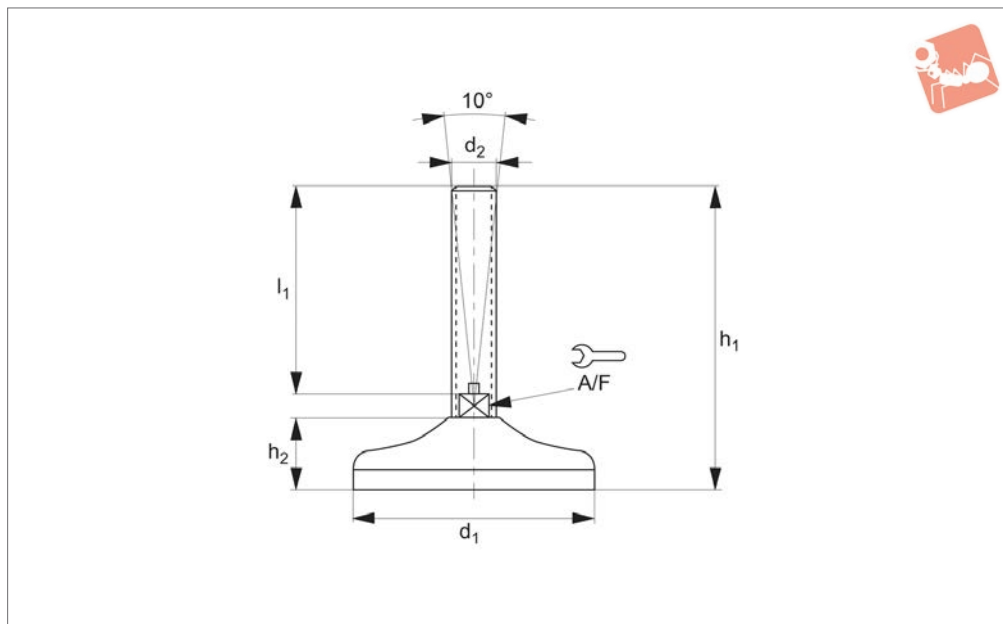
### Technical Notes

Bolt has a 20° angle of movement.

| Order No.   | d <sub>1</sub> | d <sub>2</sub> | d <sub>3</sub> | d <sub>4</sub> | h <sub>1</sub> | h <sub>2</sub> | l <sub>1</sub> | Static load<br>kN<br>max. |
|-------------|----------------|----------------|----------------|----------------|----------------|----------------|----------------|---------------------------|
| 34702.W0508 | M 8            | 50             | 40             | 5.5            | 22             | 4.0            | 60             | 3.0                       |
| 34702.W0600 | M10            | 50             | 40             | 5.5            | 22             | 4.0            | 75             | 5.0                       |
| 34702.W0621 | M12            | 60             | 50             | 5.5            | 25             | 5.0            | 75             | 12.5                      |
| 34702.W0622 | M12            | 60             | 50             | 5.5            | 25             | 5.0            | 125            | 12.5                      |
| 34702.W0623 | M12            | 60             | 50             | 5.5            | 25             | 5.0            | 150            | 12.5                      |
| 34702.W0660 | M16            | 80             | 68             | 6.5            | 31             | 6.0            | 75             | 17.5                      |
| 34702.W0661 | M16            | 80             | 68             | 6.5            | 31             | 6.0            | 125            | 17.5                      |
| 34702.W0662 | M16            | 80             | 68             | 6.5            | 31             | 6.0            | 150            | 17.5                      |
| 34702.W0700 | M20            | 100            | 82             | 9.0            | 39             | 6.5            | 125            | 25.0                      |
| 34702.W0701 | M20            | 100            | 82             | 9.0            | 39             | 6.5            | 150            | 25.0                      |
| 34702.W0702 | M20            | 100            | 82             | 9.0            | 39             | 6.5            | 200            | 25.0                      |
| 34702.W0741 | M24            | 120            | 100            | 11.0           | 56             | 7.5            | 150            | 37.5                      |
| 34702.W0742 | M24            | 120            | 100            | 11.0           | 56             | 7.5            | 200            | 37.5                      |



## 34703



### Material

Galvanized steel (C40), with rubber pad (70 shore A).

### Technical Notes

Load values refer to static loads, located at half the screw height.

| Order No.   | d <sub>1</sub> | d <sub>2</sub> | h <sub>1</sub> | h <sub>2</sub> | l <sub>1</sub> | A/F | Load kgf max. |
|-------------|----------------|----------------|----------------|----------------|----------------|-----|---------------|
| 34703.W1200 | 50             | M12            | 79             | 19             | 50             | 14  | 400           |
| 34703.W1201 | 50             | M12            | 129            | 19             | 100            | 14  | 400           |
| 34703.W1202 | 50             | M12            | 179            | 19             | 150            | 14  | 400           |
| 34703.W1400 | 50             | M14            | 79             | 19             | 50             | 14  | 400           |
| 34703.W1401 | 50             | M14            | 129            | 19             | 100            | 14  | 400           |
| 34703.W1402 | 50             | M14            | 179            | 19             | 150            | 14  | 400           |
| 34703.W1600 | 50             | M16            | 104            | 19             | 75             | 14  | 400           |
| 34703.W1601 | 50             | M16            | 129            | 19             | 100            | 14  | 400           |
| 34703.W1602 | 50             | M16            | 179            | 19             | 150            | 14  | 400           |
| 34703.W1002 | 80             | M10            | 85             | 25             | 50             | 14  | 1000          |
| 34703.W1003 | 80             | M10            | 135            | 25             | 100            | 14  | 1000          |
| 34703.W1203 | 80             | M12            | 85             | 25             | 50             | 14  | 1000          |
| 34703.W1204 | 80             | M12            | 135            | 25             | 100            | 14  | 1000          |
| 34703.W1205 | 80             | M12            | 185            | 25             | 150            | 14  | 1000          |
| 34703.W1403 | 80             | M14            | 85             | 25             | 50             | 14  | 1000          |
| 34703.W1404 | 80             | M14            | 135            | 25             | 100            | 14  | 1000          |
| 34703.W1405 | 80             | M14            | 185            | 25             | 150            | 14  | 1000          |
| 34703.W1603 | 80             | M16            | 85             | 25             | 75             | 14  | 1000          |
| 34703.W1605 | 80             | M16            | 185            | 25             | 150            | 14  | 1000          |
| 34703.W2000 | 80             | M20            | 111            | 25             | 75             | 14  | 1000          |
| 34703.W2001 | 80             | M20            | 136            | 25             | 100            | 14  | 1000          |
| 34703.W2002 | 80             | M20            | 186            | 25             | 150            | 14  | 1000          |
| 34703.W2003 | 80             | M20            | 236            | 25             | 200            | 14  | 1000          |
| 34703.W2400 | 80             | M24            | 111            | 25             | 75             | 14  | 1000          |
| 34703.W2401 | 80             | M24            | 136            | 25             | 100            | 14  | 1000          |
| 34703.W2402 | 80             | M24            | 186            | 25             | 150            | 14  | 1000          |
| 34703.W2403 | 80             | M24            | 236            | 25             | 200            | 14  | 1000          |
| 34703.W1606 | 100            | M16            | 112.5          | 28             | 75             | 16  | 1500          |
| 34703.W1607 | 100            | M16            | 137.5          | 28             | 100            | 16  | 1500          |
| 34703.W1608 | 100            | M16            | 187.5          | 28             | 150            | 16  | 1500          |
| 34703.W1609 | 100            | M16            | 237.5          | 28             | 200            | 16  | 1500          |
| 34703.W2004 | 100            | M20            | 113.5          | 28             | 75             | 20  | 1500          |
| 34703.W2005 | 100            | M20            | 138.5          | 28             | 100            | 20  | 1500          |
| 34703.W2006 | 100            | M20            | 188.5          | 28             | 150            | 20  | 1500          |

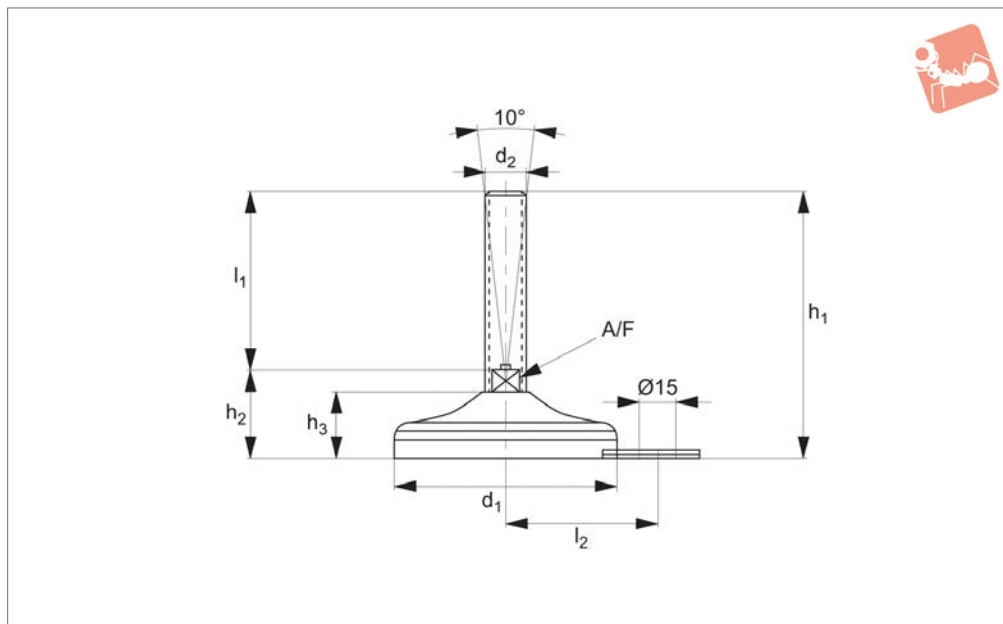


| Order No.   | d <sub>1</sub> | d <sub>2</sub> | h <sub>1</sub> | h <sub>2</sub> | l <sub>1</sub> | A/F | Load<br>kgf<br>max. |
|-------------|----------------|----------------|----------------|----------------|----------------|-----|---------------------|
| 34703.W2007 | 100            | M20            | 238.5          | 28             | 200            | 20  | 1500                |
| 34703.W2008 | 100            | M20            | 288.5          | 28             | 250            | 20  | 1500                |
| 34703.W2404 | 100            | M24            | 138.5          | 28             | 100            | 24  | 1500                |
| 34703.W2405 | 100            | M24            | 188.5          | 28             | 150            | 24  | 1500                |
| 34703.W2406 | 100            | M24            | 238.5          | 28             | 200            | 24  | 1500                |
| 34703.W2407 | 100            | M24            | 288.5          | 28             | 250            | 24  | 1500                |
| 34703.W3000 | 100            | M30            | 139.5          | 28             | 100            | 30  | 1500                |
| 34703.W3001 | 100            | M30            | 189.5          | 28             | 150            | 30  | 1500                |
| 34703.W3002 | 100            | M30            | 239.5          | 28             | 200            | 30  | 1500                |
| 34703.W3003 | 100            | M30            | 289.5          | 28             | 250            | 30  | 1500                |
| 34703.W1610 | 120            | M16            | 116.5          | 32             | 75             | 16  | 3000                |
| 34703.W1611 | 120            | M16            | 141.5          | 32             | 100            | 16  | 3000                |
| 34703.W1612 | 120            | M16            | 191.5          | 32             | 150            | 16  | 3000                |
| 34703.W1613 | 120            | M16            | 241.5          | 32             | 200            | 16  | 3000                |
| 34703.W2009 | 120            | M20            | 117.5          | 32             | 75             | 20  | 3000                |
| 34703.W2010 | 120            | M20            | 142.5          | 32             | 100            | 20  | 3000                |
| 34703.W2011 | 120            | M20            | 192.5          | 32             | 150            | 20  | 3000                |
| 34703.W2012 | 120            | M20            | 242.5          | 32             | 200            | 20  | 3000                |
| 34703.W2013 | 120            | M20            | 292.5          | 32             | 250            | 20  | 3000                |
| 34703.W2408 | 120            | M24            | 142.5          | 32             | 100            | 24  | 3000                |
| 34703.W2409 | 120            | M24            | 192.5          | 32             | 150            | 24  | 3000                |
| 34703.W2410 | 120            | M24            | 242.5          | 32             | 200            | 24  | 3000                |
| 34703.W2411 | 120            | M24            | 292.5          | 32             | 250            | 24  | 3000                |
| 34703.W3004 | 120            | M30            | 143.5          | 32             | 100            | 30  | 3000                |
| 34703.W3005 | 120            | M30            | 193.5          | 32             | 150            | 30  | 3000                |
| 34703.W3006 | 120            | M30            | 243.5          | 32             | 200            | 30  | 3000                |
| 34703.W3007 | 120            | M30            | 293.5          | 32             | 250            | 30  | 3000                |

LEVELLING FEET



## 34704



### Material

Base material: galvanized steel (C40).  
Full Steel base with vulcanized rubber.

half the screw height.

In conditions of vibrations or in presence of dynamic loads these values should be reduced.

### Technical Notes

Load values refer to static loads, located at

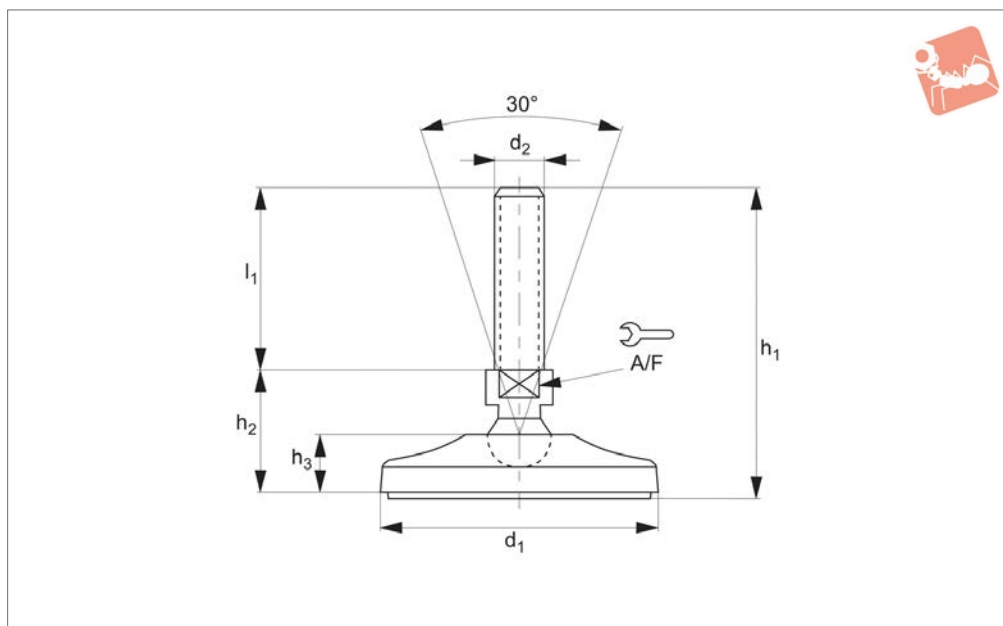
| Order No.   | d <sub>1</sub> | d <sub>2</sub> | h <sub>1</sub> | h <sub>2</sub> | h <sub>3</sub> | l <sub>1</sub> | l <sub>2</sub> | A/F | Load kgf max. | Weight g |
|-------------|----------------|----------------|----------------|----------------|----------------|----------------|----------------|-----|---------------|----------|
| 34704.W1200 | 80             | M12            | 85.0           | 35.0           | 25             | 50             | 54             | 14  | 1000          | 303      |
| 34704.W1201 | 80             | M12            | 135.0          | 35.0           | 25             | 100            | 54             | 14  | 1000          | 335      |
| 34704.W1202 | 80             | M12            | 185.0          | 35.0           | 25             | 150            | 54             | 14  | 1000          | 372      |
| 34704.W1400 | 80             | M14            | 85.0           | 35.0           | 25             | 50             | 54             | 14  | 1000          | 316      |
| 34704.W1401 | 80             | M14            | 135.0          | 35.0           | 25             | 100            | 54             | 14  | 1000          | 363      |
| 34704.W1402 | 80             | M14            | 185.0          | 35.0           | 25             | 150            | 54             | 14  | 1000          | 413      |
| 34704.W1600 | 80             | M16            | 110.0          | 35.0           | 25             | 75             | 54             | 16  | 1000          | 367      |
| 34704.W1601 | 80             | M16            | 135.0          | 35.0           | 25             | 100            | 54             | 16  | 1000          | 399      |
| 34704.W1602 | 80             | M16            | 185.0          | 35.0           | 25             | 150            | 54             | 16  | 1000          | 464      |
| 34704.W1603 | 80             | M16            | 235.0          | 35.0           | 25             | 200            | 54             | 16  | 1000          | 527      |
| 34704.W2000 | 80             | M20            | 111.0          | 36.0           | 25             | 75             | 54             | 20  | 1000          | 430      |
| 34704.W2001 | 80             | M20            | 136.0          | 36.0           | 25             | 100            | 54             | 20  | 1000          | 480      |
| 34704.W2002 | 80             | M20            | 186.0          | 36.0           | 25             | 150            | 54             | 20  | 1000          | 582      |
| 34704.W2003 | 80             | M20            | 236.0          | 36.0           | 25             | 200            | 54             | 20  | 1000          | 683      |
| 34704.W2400 | 80             | M24            | 111.0          | 36.0           | 25             | 75             | 54             | 24  | 1000          | 503      |
| 34704.W2401 | 80             | M24            | 136.0          | 36.0           | 25             | 100            | 54             | 24  | 1000          | 576      |
| 34704.W2402 | 80             | M24            | 186.0          | 36.0           | 25             | 150            | 54             | 24  | 1500          | 721      |
| 34704.W2403 | 80             | M24            | 236.0          | 36.0           | 25             | 200            | 54             | 24  | 1500          | 867      |
| 34704.W1604 | 100            | M16            | 112.5          | 37.5           | 28             | 75             | 69             | 16  | 1500          | 505      |
| 34704.W1605 | 100            | M16            | 137.5          | 37.5           | 28             | 100            | 69             | 16  | 1500          | 537      |
| 34704.W1606 | 100            | M16            | 187.5          | 37.5           | 28             | 150            | 69             | 16  | 1500          | 602      |
| 34704.W1607 | 100            | M16            | 237.5          | 37.5           | 28             | 200            | 69             | 16  | 1500          | 665      |
| 34704.W2004 | 100            | M20            | 113.5          | 38.5           | 28             | 75             | 69             | 20  | 1500          | 568      |
| 34704.W2005 | 100            | M20            | 138.5          | 38.5           | 28             | 100            | 69             | 20  | 1500          | 618      |
| 34704.W2006 | 100            | M20            | 188.5          | 38.5           | 28             | 150            | 69             | 20  | 1500          | 720      |
| 34704.W2007 | 100            | M20            | 238.5          | 38.5           | 28             | 200            | 69             | 20  | 1500          | 821      |
| 34704.W2008 | 100            | M20            | 288.5          | 38.5           | 28             | 250            | 69             | 20  | 1500          | 924      |
| 34704.W2404 | 100            | M24            | 138.5          | 38.5           | 28             | 100            | 69             | 24  | 1500          | 641      |
| 34704.W2405 | 100            | M24            | 188.5          | 38.5           | 28             | 150            | 69             | 24  | 1500          | 714      |
| 34704.W2406 | 100            | M24            | 238.5          | 38.5           | 28             | 200            | 69             | 24  | 1500          | 859      |
| 34704.W2407 | 100            | M24            | 288.5          | 38.5           | 28             | 250            | 69             | 24  | 1500          | 1005     |



| Order No.          | d <sub>1</sub> | d <sub>2</sub> | h <sub>1</sub> | h <sub>2</sub> | h <sub>3</sub> | l <sub>1</sub> | l <sub>2</sub> | A/F | Load<br>kgf<br>max. | Weight<br>g |
|--------------------|----------------|----------------|----------------|----------------|----------------|----------------|----------------|-----|---------------------|-------------|
| <b>34704.W3000</b> | 100            | M30            | 139.5          | 39.5           | 28             | 100            | 69             | 30  | 1500                | 906         |
| <b>34704.W3001</b> | 100            | M30            | 189.5          | 39.5           | 28             | 150            | 69             | 30  | 1500                | 1139        |
| <b>34704.W3002</b> | 100            | M30            | 239.5          | 39.5           | 28             | 200            | 69             | 30  | 1500                | 1363        |
| <b>34704.W3003</b> | 100            | M30            | 289.5          | 39.5           | 28             | 250            | 69             | 30  | 1500                | 1593        |



## 34705



### Material

Steel (C40), powder coated (RAL 1007), with rubber pad (70 shore A).

### Technical Notes

Load values refer to static loads, located at half the screw height.

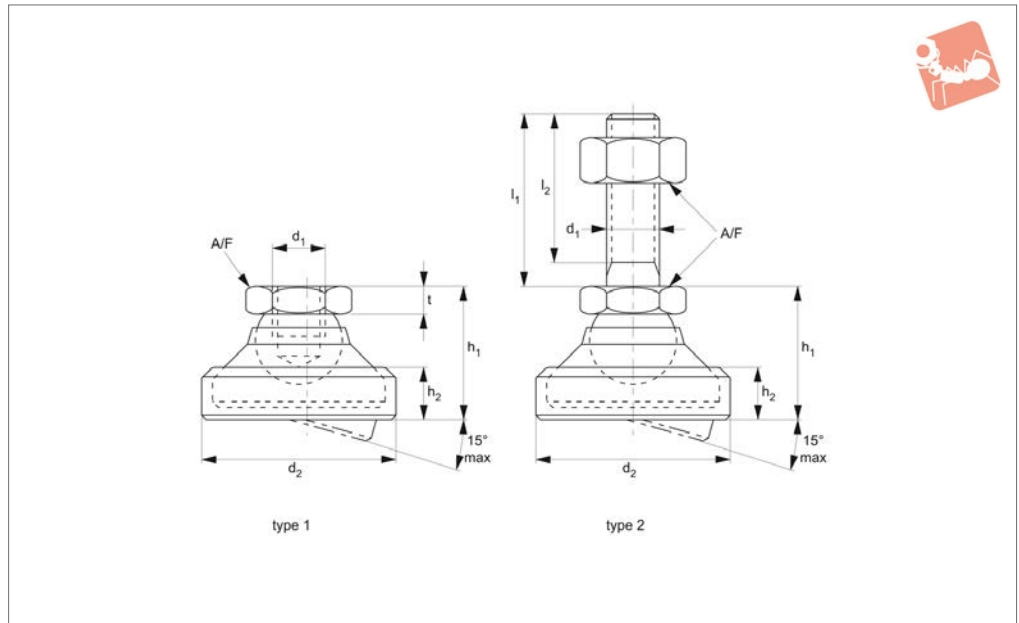
| Order No.   | d <sub>1</sub> | d <sub>2</sub> | h <sub>1</sub> | h <sub>2</sub> | h <sub>3</sub> | l <sub>1</sub> | A/F | Load kgf max. |
|-------------|----------------|----------------|----------------|----------------|----------------|----------------|-----|---------------|
| 34705.W1000 | 50             | M10            | 56             | 31             | 19             | 25             | 14  | 1500          |
| 34705.W1001 | 50             | M10            | 81             | 31             | 19             | 50             | 14  | 1500          |
| 34705.W1003 | 50             | M10            | 131            | 31             | 19             | 100            | 14  | 1500          |
| 34705.W1200 | 50             | M12            | 56             | 31             | 19             | 25             | 14  | 1500          |
| 34705.W1201 | 50             | M12            | 81             | 31             | 19             | 50             | 14  | 1500          |
| 34705.W1202 | 50             | M12            | 106            | 31             | 19             | 75             | 14  | 1500          |
| 34705.W1203 | 50             | M12            | 131            | 31             | 19             | 100            | 14  | 1500          |
| 34705.W1204 | 50             | M12            | 156            | 31             | 19             | 125            | 14  | 1500          |
| 34705.W1400 | 50             | M14            | 56             | 31             | 19             | 25             | 14  | 1500          |
| 34705.W1401 | 50             | M14            | 81             | 31             | 19             | 50             | 14  | 1500          |
| 34705.W1402 | 50             | M14            | 106            | 31             | 19             | 75             | 14  | 1500          |
| 34705.W1403 | 50             | M14            | 131            | 31             | 19             | 100            | 14  | 1500          |
| 34705.W1404 | 50             | M14            | 156            | 31             | 19             | 125            | 14  | 1500          |
| 34705.W1405 | 65             | M14            | 83             | 33             | 20             | 50             | 16  | 2000          |
| 34705.W1406 | 65             | M14            | 108            | 33             | 20             | 75             | 16  | 2000          |
| 34705.W1407 | 65             | M14            | 133            | 33             | 20             | 100            | 16  | 2000          |
| 34705.W1408 | 65             | M14            | 158            | 33             | 20             | 125            | 16  | 2000          |
| 34705.W1409 | 65             | M14            | 183            | 33             | 20             | 150            | 16  | 2000          |
| 34705.W1600 | 65             | M16            | 83             | 33             | 20             | 50             | 16  | 2000          |
| 34705.W1601 | 65             | M16            | 108            | 33             | 20             | 75             | 16  | 2000          |
| 34705.W1602 | 65             | M16            | 133            | 33             | 20             | 100            | 16  | 2000          |
| 34705.W1603 | 65             | M16            | 158            | 33             | 20             | 125            | 16  | 2000          |
| 34705.W1604 | 65             | M16            | 183            | 33             | 20             | 150            | 16  | 2000          |
| 34705.W1605 | 65             | M16            | 208            | 33             | 20             | 175            | 16  | 2000          |
| 34705.W1606 | 80             | M16            | 86             | 36             | 23             | 50             | 16  | 3000          |
| 34705.W1607 | 80             | M16            | 111            | 36             | 23             | 75             | 16  | 3000          |
| 34705.W1608 | 80             | M16            | 136            | 36             | 23             | 100            | 16  | 3000          |
| 34705.W1609 | 80             | M16            | 161            | 36             | 23             | 125            | 16  | 3000          |
| 34705.W1610 | 80             | M16            | 186            | 36             | 23             | 150            | 16  | 3000          |
| 34705.W1611 | 80             | M16            | 211            | 36             | 23             | 175            | 16  | 3000          |
| 34705.W1612 | 80             | M16            | 236            | 36             | 23             | 200            | 16  | 3000          |
| 34705.W2000 | 80             | M20            | 114            | 39             | 23             | 75             | 17  | 3000          |
| 34705.W2001 | 80             | M20            | 139            | 39             | 23             | 100            | 17  | 3000          |
| 34705.W2002 | 80             | M20            | 164            | 39             | 23             | 125            | 17  | 3000          |



| Order No.   | d <sub>1</sub> | d <sub>2</sub> | h <sub>1</sub> | h <sub>2</sub> | h <sub>3</sub> | l <sub>1</sub> | A/F | Load<br>kgf<br>max. |
|-------------|----------------|----------------|----------------|----------------|----------------|----------------|-----|---------------------|
| 34705.W2003 | 80             | M20            | 189            | 39             | 23             | 150            | 17  | 3000                |
| 34705.W2004 | 80             | M20            | 214            | 39             | 23             | 175            | 17  | 3000                |
| 34705.W2005 | 80             | M20            | 239            | 39             | 23             | 200            | 17  | 3000                |
| 34705.W2006 | 80             | M20            | 264            | 39             | 23             | 225            | 17  | 3000                |
| 34705.W1613 | 100            | M16            | 96             | 46             | 23             | 50             | 20  | 3500                |
| 34705.W1614 | 100            | M16            | 121            | 46             | 23             | 75             | 20  | 3500                |
| 34705.W1617 | 100            | M16            | 196            | 46             | 23             | 150            | 20  | 3500                |
| 34705.W1618 | 100            | M16            | 221            | 46             | 23             | 175            | 20  | 3500                |
| 34705.W1619 | 100            | M16            | 246            | 46             | 23             | 200            | 20  | 3500                |
| 34705.W2007 | 100            | M20            | 121            | 46             | 23             | 75             | 20  | 4500                |
| 34705.W2008 | 100            | M20            | 146            | 46             | 23             | 100            | 20  | 4500                |
| 34705.W2009 | 100            | M20            | 171            | 46             | 23             | 125            | 20  | 4500                |
| 34705.W2010 | 100            | M20            | 196            | 46             | 23             | 150            | 20  | 4500                |
| 34705.W2011 | 100            | M20            | 221            | 46             | 23             | 175            | 20  | 4500                |
| 34705.W2012 | 100            | M20            | 246            | 46             | 23             | 200            | 20  | 4500                |
| 34705.W2013 | 100            | M20            | 271            | 46             | 23             | 225            | 20  | 4500                |
| 34705.W2014 | 100            | M20            | 296            | 46             | 23             | 250            | 20  | 4500                |
| 34705.W2400 | 100            | M24            | 122            | 47             | 23             | 75             | 20  | 5500                |
| 34705.W2401 | 100            | M24            | 147            | 47             | 23             | 100            | 20  | 5500                |
| 34705.W2402 | 100            | M24            | 172            | 47             | 23             | 125            | 20  | 5500                |
| 34705.W2403 | 100            | M24            | 202            | 47             | 23             | 150            | 20  | 5500                |
| 34705.W2404 | 100            | M24            | 222            | 47             | 23             | 175            | 20  | 5500                |
| 34705.W2405 | 100            | M24            | 247            | 47             | 23             | 200            | 20  | 5500                |
| 34705.W2406 | 100            | M24            | 272            | 47             | 23             | 225            | 20  | 5500                |
| 34705.W2407 | 100            | M24            | 297            | 47             | 23             | 250            | 20  | 5500                |
| 34705.W1620 | 120            | M16            | 99             | 49             | 26             | 50             | 20  | 3500                |
| 34705.W1621 | 120            | M16            | 104            | 49             | 26             | 75             | 20  | 3500                |
| 34705.W1622 | 120            | M16            | 149            | 49             | 26             | 100            | 20  | 3500                |
| 34705.W1623 | 120            | M16            | 174            | 49             | 26             | 125            | 20  | 3500                |
| 34705.W1624 | 120            | M16            | 199            | 49             | 26             | 150            | 20  | 3500                |
| 34705.W1626 | 120            | M16            | 249            | 49             | 26             | 200            | 20  | 3500                |
| 34705.W2015 | 120            | M20            | 124            | 49             | 26             | 75             | 20  | 4500                |
| 34705.W2016 | 120            | M20            | 149            | 49             | 26             | 100            | 20  | 4500                |
| 34705.W2017 | 120            | M20            | 174            | 49             | 26             | 125            | 20  | 4500                |
| 34705.W2018 | 120            | M20            | 199            | 49             | 26             | 150            | 20  | 4500                |
| 34705.W2019 | 120            | M20            | 224            | 49             | 26             | 175            | 20  | 4500                |
| 34705.W2020 | 120            | M20            | 249            | 49             | 26             | 200            | 20  | 4500                |
| 34705.W2021 | 120            | M20            | 274            | 49             | 26             | 225            | 20  | 4500                |
| 34705.W2022 | 120            | M20            | 299            | 49             | 26             | 250            | 20  | 4500                |
| 34705.W2408 | 120            | M24            | 125            | 50             | 26             | 75             | 20  | 5500                |
| 34705.W2409 | 120            | M24            | 150            | 50             | 26             | 100            | 20  | 5500                |
| 34705.W2410 | 120            | M24            | 175            | 50             | 26             | 125            | 20  | 5500                |
| 34705.W2411 | 120            | M24            | 200            | 50             | 26             | 150            | 20  | 5500                |
| 34705.W2412 | 120            | M24            | 225            | 50             | 26             | 175            | 20  | 5500                |
| 34705.W2413 | 120            | M24            | 250            | 50             | 26             | 200            | 20  | 5500                |
| 34705.W2414 | 120            | M24            | 275            | 50             | 26             | 225            | 20  | 5500                |
| 34705.W2415 | 120            | M24            | 300            | 50             | 26             | 250            | 20  | 5500                |
| 34705.W3000 | 120            | M30            | 150            | 50             | 26             | 100            | 26  | 6500                |
| 34705.W3001 | 120            | M30            | 175            | 50             | 26             | 125            | 26  | 6500                |
| 34705.W3002 | 120            | M30            | 200            | 50             | 26             | 150            | 26  | 6500                |
| 34705.W3003 | 120            | M30            | 225            | 50             | 26             | 175            | 26  | 6500                |
| 34705.W3004 | 120            | M30            | 250            | 50             | 26             | 200            | 26  | 6500                |
| 34705.W3005 | 120            | M30            | 275            | 50             | 26             | 225            | 26  | 6500                |
| 34705.W3006 | 120            | M30            | 300            | 50             | 26             | 250            | 26  | 6500                |



## 34700



### Material

#### Steel type

Ball: steel heat-treated, tempered, blackened.

Ball with bolt: heat-treated steel, tempered, blackened.

Lock nut: Steel blackened, ISO 4032/DIN 934 (M10, M12 only).

Pad: heat-treated steel, tempered,

blackened.

#### Stainless type

Pad: stainless steel 1.4305 (AISI 303).

Ball: stainless steel 1.4305 (AISI 303).

Ball with bolt: stainless steel 1.4305 (AISI 303).

Lock nut: Stainless steel A2, ISO 4032/DIN 934 (M10, M12 only).

Cap: Black rubber.

### Tips

To be used as feet and thrust pads. Used for levelling up to 15° on surface. Rubber cap prevents reduces slipping.

Also used:

34761 - Levelling Feet - thermoplastic, non slip.

| Order No.   | Material        | Type         | d <sub>1</sub> | d <sub>2</sub> | h <sub>1</sub> | h <sub>2</sub> | l <sub>1</sub> | l <sub>2</sub> | t <sub>1</sub> | A/F | Static load<br>kN<br>max. | Weight<br>g |
|-------------|-----------------|--------------|----------------|----------------|----------------|----------------|----------------|----------------|----------------|-----|---------------------------|-------------|
| 34700.W1006 | Steel           | Pad          | M 6            | 20             | 14             | 2.5            | -              | -              | 5.0            | 10  | 10                        | 15          |
| 34700.W1008 | Steel           | Pad          | M 8            | 25             | 18             | 4.0            | -              | -              | 7.0            | 13  | 18                        | 33          |
| 34700.W1010 | Steel           | Pad          | M10            | 32             | 22             | 5.0            | -              | -              | 9.0            | 17  | 20                        | 66          |
| 34700.W1012 | Steel           | Pad          | M12            | 40             | 26             | 6.0            | -              | -              | 11.0           | 19  | 35                        | 112         |
| 34700.W1016 | Steel           | Pad          | M16            | 50             | 32             | 7.0            | -              | -              | 13.5           | 24  | 45                        | 220         |
| 34700.W1020 | Steel           | Pad          | M20            | 60             | 42             | 8.0            | -              | -              | 17.0           | 30  | 55                        | 413         |
| 34700.W1024 | Steel           | Pad          | M24            | 60             | 45             | 9.5            | -              | -              | 19.0           | 36  | 65                        | 462         |
| 34700.W1410 | Steel           | Pad and Bolt | M 6            | 20             | 14             | 2.5            | 60             | 57.0           | -              | 10  | 10                        | 29          |
| 34700.W1422 | Steel           | Pad and Bolt | M 8            | 25             | 18             | 4.0            | 80             | 76.0           | -              | 13  | 18                        | 66          |
| 34700.W1438 | Steel           | Pad and Bolt | M10            | 32             | 22             | 5.0            | 100            | 95.5           | -              | 17  | 20                        | 133         |
| 34700.W1442 | Steel           | Pad and Bolt | M10            | 32             | 22             | 5.0            | 150            | 145.5          | -              | 17  | 20                        | 159         |
| 34700.W1452 | Steel           | Pad and Bolt | M12            | 40             | 26             | 6.0            | 100            | 94.5           | -              | 19  | 35                        | 211         |
| 34700.W1456 | Steel           | Pad and Bolt | M12            | 40             | 26             | 6.0            | 150            | 144.5          | -              | 19  | 35                        | 247         |
| 34700.W1468 | Steel           | Pad and Bolt | M16            | 50             | 32             | 7.0            | 100            | 94.0           | -              | 24  | 45                        | 407         |
| 34700.W1472 | Steel           | Pad and Bolt | M16            | 50             | 32             | 7.0            | 200            | 194.0          | -              | 24  | 45                        | 540         |
| 34700.W1482 | Steel           | Pad and Bolt | M20            | 60             | 42             | 8.0            | 100            | 92.5           | -              | 30  | 55                        | 722         |
| 34700.W1488 | Steel           | Pad and Bolt | M20            | 60             | 42             | 8.0            | 200            | 192.5          | -              | 30  | 55                        | 924         |
| 34700.W1495 | Steel           | Pad and Bolt | M24            | 60             | 45             | 9.5            | 100            | 91.0           | -              | 36  | 65                        | 935         |
| 34700.W1498 | Steel           | Pad and Bolt | M24            | 60             | 45             | 9.5            | 200            | 191.0          | -              | 36  | 65                        | 1231        |
| 34700.W1206 | Stainless Steel | Pad          | M 6            | 20             | 14             | 2.5            | -              | -              | 5.0            | 10  | 8                         | 15          |
| 34700.W1208 | Stainless Steel | Pad          | M 8            | 25             | 18             | 4.0            | -              | -              | 7.0            | 13  | 14                        | 33          |
| 34700.W1210 | Stainless Steel | Pad          | M10            | 32             | 22             | 5.0            | -              | -              | 9.0            | 17  | 16                        | 66          |
| 34700.W1212 | Stainless Steel | Pad          | M12            | 40             | 26             | 6.0            | -              | -              | 11.0           | 19  | 28                        | 112         |
| 34700.W1216 | Stainless Steel | Pad          | M16            | 50             | 32             | 7.0            | -              | -              | 13.5           | 24  | 36                        | 220         |
| 34700.W1220 | Stainless Steel | Pad          | M20            | 60             | 42             | 8.0            | -              | -              | 17.0           | 30  | 44                        | 413         |
| 34700.W1224 | Stainless Steel | Pad          | M24            | 60             | 45             | 9.5            | -              | -              | 19.0           | 36  | 52                        | 462         |
| 34700.W1610 | Stainless Steel | Pad and Bolt | M 6            | 20             | 14             | 2.5            | 60             | 57.0           | -              | 10  | 8                         | 29          |





# Levelling Feet - Non Slip pad and bolt - steel or stainless



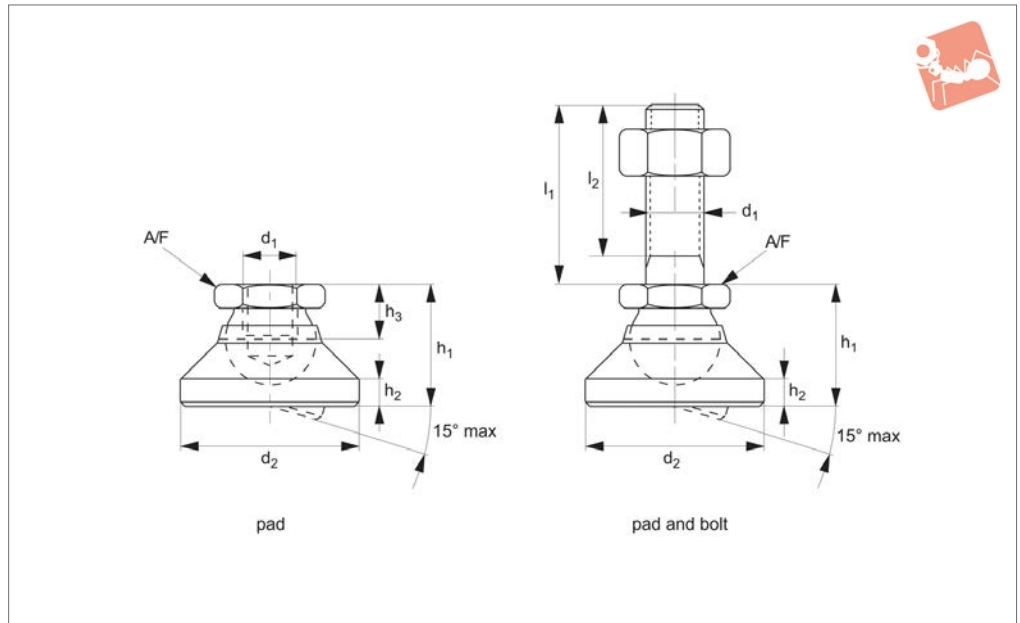
## Levelling Feet

| Order No.          | Material        | Type         | d <sub>1</sub> | d <sub>2</sub> | h <sub>1</sub> | h <sub>2</sub> | l <sub>1</sub> | l <sub>2</sub> | t <sub>1</sub> | A/F | Static load<br>kN<br>max. | Weight<br>g |
|--------------------|-----------------|--------------|----------------|----------------|----------------|----------------|----------------|----------------|----------------|-----|---------------------------|-------------|
| <b>34700.W1622</b> | Stainless Steel | Pad and Bolt | M 8            | 25             | 18             | 4.0            | 80             | 76.0           | -              | 13  | 14                        | 66          |
| <b>34700.W1638</b> | Stainless Steel | Pad and Bolt | M10            | 32             | 22             | 5.0            | 100            | 95.5           | -              | 17  | 16                        | 133         |
| <b>34700.W1642</b> | Stainless Steel | Pad and Bolt | M10            | 32             | 22             | 5.0            | 150            | 145.5          | -              | 17  | 16                        | 159         |
| <b>34700.W1652</b> | Stainless Steel | Pad and Bolt | M12            | 40             | 26             | 6.0            | 100            | 94.5           | -              | 19  | 28                        | 211         |
| <b>34700.W1656</b> | Stainless Steel | Pad and Bolt | M12            | 40             | 26             | 6.0            | 150            | 144.5          | -              | 19  | 28                        | 247         |
| <b>34700.W1668</b> | Stainless Steel | Pad and Bolt | M16            | 50             | 32             | 7.0            | 100            | 94.0           | -              | 24  | 36                        | 407         |
| <b>34700.W1672</b> | Stainless Steel | Pad and Bolt | M16            | 50             | 32             | 7.0            | 200            | 194.0          | -              | 24  | 36                        | 540         |
| <b>34700.W1682</b> | Stainless Steel | Pad and Bolt | M20            | 60             | 42             | 8.0            | 100            | 92.5           | -              | 30  | 44                        | 722         |
| <b>34700.W1688</b> | Stainless Steel | Pad and Bolt | M20            | 60             | 42             | 8.0            | 200            | 192.5          | -              | 30  | 44                        | 924         |
| <b>34700.W1695</b> | Stainless Steel | Pad and Bolt | M24            | 60             | 45             | 9.5            | 100            | 91.0           | -              | 36  | 52                        | 935         |
| <b>34700.W1698</b> | Stainless Steel | Pad and Bolt | M24            | 60             | 45             | 9.5            | 200            | 191.0          | -              | 36  | 52                        | 1231        |

LEVELLING FEET



## 34701



### Material

#### Steel type-

Pad: heat-treated, C35Pbk (ETG100) tempered (800-1000 N/mm<sup>2</sup>), blackened.

Ball: free cutting steel, 11SMnPn30k (1.0718) - ball hardened (550±50HV10), blackened.

Ball with bolt: heat-treated steel, blackened.

Lock nut: Steel blackened, DIN 934/ISO 4032.

#### Stainless type-

Pad: stainless steel 1.4305 (AISI 303).

Ball: stainless steel 1.4305 (AISI 303).

Ball with bolt: stainless steel 1.4305 (AISI 303).

Lock nut: Stainless steel A2, DIN 934/ISO 4032.

### Tips

To be used as feet and thrust pads.

| Order No.   | Material  | Type         | d <sub>1</sub> | d <sub>2</sub> | h <sub>1</sub><br>≈ | h <sub>2</sub> | h <sub>3</sub> | l <sub>1</sub> | l <sub>2</sub> | A/F | Static load steel<br>kN<br>max. | Static load stainless<br>kN<br>max. | Weight<br>g |
|-------------|-----------|--------------|----------------|----------------|---------------------|----------------|----------------|----------------|----------------|-----|---------------------------------|-------------------------------------|-------------|
| 34701.W0006 | Steel     | Pad          | M6             | 20             | 14                  | 2.5            | 5.0            | -              | -              | 10  | 10                              | 8                                   | 15          |
| 34701.W0008 | Steel     | Pad          | M8             | 25             | 18                  | 4.0            | 7.0            | -              | -              | 13  | 18                              | 14                                  | 33          |
| 34701.W0010 | Steel     | Pad          | M10            | 32             | 22                  | 5.0            | 9.0            | -              | -              | 17  | 20                              | 16                                  | 66          |
| 34701.W0012 | Steel     | Pad          | M12            | 40             | 26                  | 6.0            | 11.0           | -              | -              | 19  | 35                              | 28                                  | 112         |
| 34701.W0016 | Steel     | Pad          | M16            | 50             | 32                  | 7.0            | 13.5           | -              | -              | 24  | 45                              | 36                                  | 220         |
| 34701.W0020 | Steel     | Pad          | M20            | 60             | 42                  | 8.0            | 17.0           | -              | -              | 30  | 55                              | 44                                  | 413         |
| 34701.W0024 | Steel     | Pad          | M24            | 60             | 45                  | 9.5            | 19.0           | -              | -              | 36  | 65                              | 52                                  | 462         |
| 34701.W0206 | Stainless | Pad          | M6             | 20             | 14                  | 2.5            | 5.0            | -              | -              | 10  | 10                              | 8                                   | 15          |
| 34701.W0208 | Stainless | Pad          | M8             | 25             | 18                  | 4.0            | 7.0            | -              | -              | 13  | 18                              | 14                                  | 33          |
| 34701.W0210 | Stainless | Pad          | M10            | 32             | 22                  | 5.0            | 9.0            | -              | -              | 17  | 20                              | 16                                  | 66          |
| 34701.W0212 | Stainless | Pad          | M12            | 40             | 26                  | 6.0            | 11.0           | -              | -              | 19  | 35                              | 28                                  | 112         |
| 34701.W0216 | Stainless | Pad          | M16            | 50             | 32                  | 7.0            | 13.5           | -              | -              | 24  | 45                              | 36                                  | 220         |
| 34701.W0220 | Stainless | Pad          | M20            | 60             | 42                  | 8.0            | 17.0           | -              | -              | 30  | 55                              | 44                                  | 413         |
| 34701.W0224 | Stainless | Pad          | M24            | 60             | 45                  | 9.5            | 19.0           | -              | -              | 36  | 65                              | 52                                  | 462         |
| 34701.W0410 | Steel     | Pad and Bolt | M 6            | 20             | 14                  | 2.5            | -              | 60             | 57.0           | 10  | 10                              | 8                                   | 29          |
| 34701.W0422 | Steel     | Pad and Bolt | M 8            | 25             | 18                  | 4.0            | -              | 80             | 76.0           | 13  | 18                              | 14                                  | 66          |
| 34701.W0438 | Steel     | Pad and Bolt | M10            | 32             | 22                  | 5.0            | -              | 100            | 95.5           | 17  | 20                              | 16                                  | 133         |
| 34701.W0442 | Steel     | Pad and Bolt | M10            | 32             | 22                  | 5.0            | -              | 150            | 145.5          | 17  | 20                              | 16                                  | 159         |
| 34701.W0452 | Steel     | Pad and Bolt | M12            | 40             | 26                  | 6.0            | -              | 100            | 94.5           | 19  | 35                              | 28                                  | 211         |
| 34701.W0456 | Steel     | Pad and Bolt | M12            | 40             | 26                  | 6.0            | -              | 150            | 144.5          | 19  | 35                              | 28                                  | 247         |
| 34701.W0468 | Steel     | Pad and Bolt | M16            | 50             | 32                  | 7.0            | -              | 100            | 94.0           | 24  | 45                              | 36                                  | 407         |
| 34701.W0472 | Steel     | Pad and Bolt | M16            | 50             | 32                  | 7.0            | -              | 200            | 194.0          | 24  | 45                              | 36                                  | 540         |
| 34701.W0482 | Steel     | Pad and Bolt | M20            | 60             | 42                  | 8.0            | -              | 100            | 92.5           | 30  | 55                              | 44                                  | 722         |
| 34701.W0488 | Steel     | Pad and Bolt | M20            | 60             | 42                  | 8.0            | -              | 200            | 192.5          | 30  | 55                              | 44                                  | 924         |
| 34701.W0495 | Steel     | Pad and Bolt | M24            | 60             | 45                  | 9.5            | -              | 100            | 91.0           | 36  | 65                              | 52                                  | 935         |
| 34701.W0498 | Steel     | Pad and Bolt | M24            | 60             | 45                  | 9.5            | -              | 200            | 191.0          | 36  | 65                              | 52                                  | 1231        |
| 34701.W0610 | Stainless | Pad and Bolt | M 6            | 20             | 14                  | 2.5            | -              | 60             | 57.0           | 10  | 10                              | 8                                   | 29          |
| 34701.W0622 | Stainless | Pad and Bolt | M 8            | 25             | 18                  | 4.0            | -              | 80             | 76.0           | 13  | 18                              | 14                                  | 66          |
| 34701.W0638 | Stainless | Pad and Bolt | M10            | 32             | 22                  | 5.0            | -              | 100            | 95.5           | 17  | 20                              | 16                                  | 133         |
| 34701.W0642 | Stainless | Pad and Bolt | M10            | 32             | 22                  | 5.0            | -              | 150            | 145.5          | 17  | 20                              | 16                                  | 159         |



# Levelling Feet

pad and bolt steel or stainless



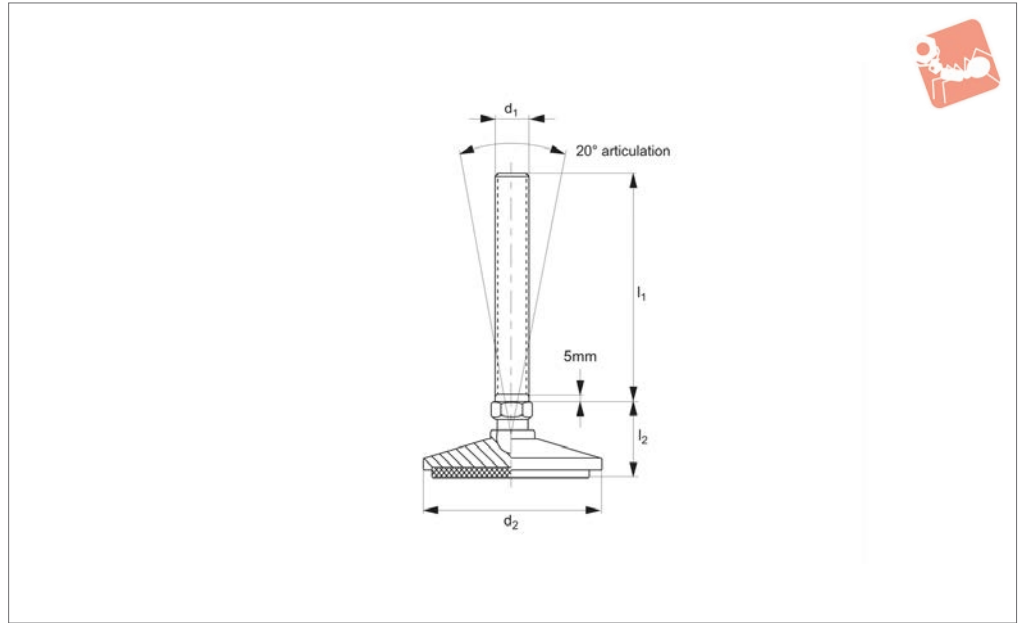
# Levelling Feet

| Order No.          | Material  | Type         | d <sub>1</sub> | d <sub>2</sub> | h <sub>1</sub><br>≈ | h <sub>2</sub> | h <sub>3</sub> | l <sub>1</sub> | l <sub>2</sub> | A/F | Static load steel<br>kN<br>max. | Static load stainless<br>kN<br>max. | Weight<br>g |
|--------------------|-----------|--------------|----------------|----------------|---------------------|----------------|----------------|----------------|----------------|-----|---------------------------------|-------------------------------------|-------------|
| <b>34701.W0652</b> | Stainless | Pad and Bolt | M12            | 40             | 26                  | 6.0            | -              | 100            | 94.5           | 19  | 35                              | 28                                  | 211         |
| <b>34701.W0656</b> | Stainless | Pad and Bolt | M12            | 40             | 26                  | 6.0            | -              | 150            | 144.5          | 19  | 35                              | 28                                  | 247         |
| <b>34701.W0668</b> | Stainless | Pad and Bolt | M16            | 50             | 32                  | 7.0            | -              | 100            | 94.0           | 24  | 45                              | 36                                  | 407         |
| <b>34701.W0672</b> | Stainless | Pad and Bolt | M16            | 50             | 32                  | 7.0            | -              | 200            | 194.0          | 24  | 45                              | 36                                  | 540         |
| <b>34701.W0682</b> | Stainless | Pad and Bolt | M20            | 60             | 42                  | 8.0            | -              | 100            | 92.5           | 30  | 55                              | 44                                  | 722         |
| <b>34701.W0688</b> | Stainless | Pad and Bolt | M20            | 60             | 42                  | 8.0            | -              | 200            | 192.5          | 30  | 55                              | 44                                  | 924         |
| <b>34701.W0695</b> | Stainless | Pad and Bolt | M24            | 60             | 45                  | 9.5            | -              | 100            | 91.0           | 36  | 65                              | 52                                  | 935         |
| <b>34701.W0698</b> | Stainless | Pad and Bolt | M24            | 60             | 45                  | 9.5            | -              | 200            | 191.0          | 36  | 65                              | 52                                  | 1231        |

LEVELLING FEET



**34711**



**Material**

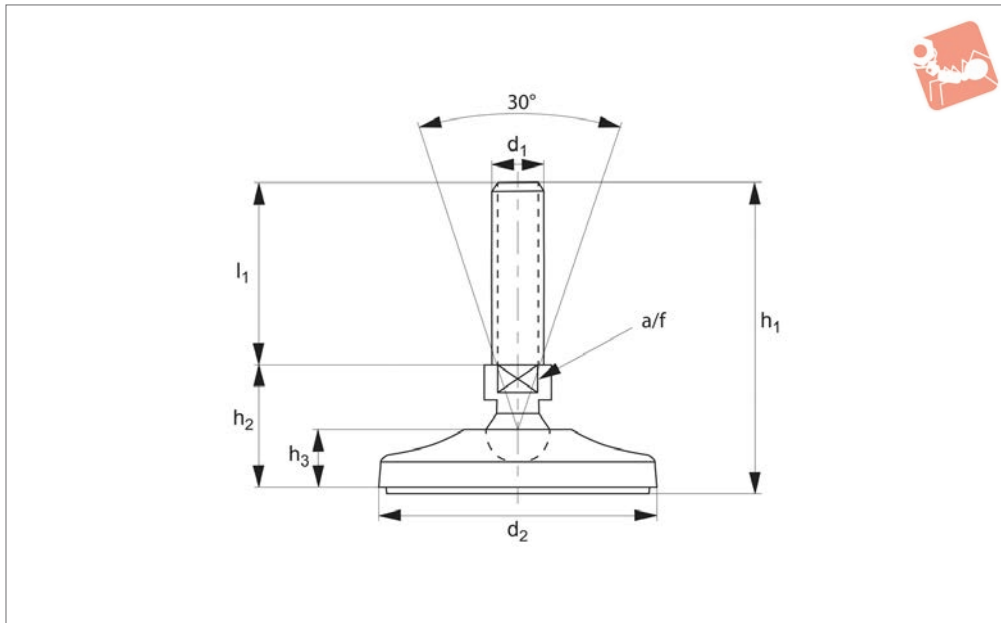
Pad and bolt: stainless steel, type AISI 303. With nitril rubber pad.

**Tips**

For use in a wide range of industries including, food processing, pharmaceutical,

electronic, medical and machinery shops.

| Order No.   | d <sub>1</sub> | l <sub>1</sub> | d <sub>2</sub> | l <sub>2</sub> | Static load<br>kN<br>max. |
|-------------|----------------|----------------|----------------|----------------|---------------------------|
| 34711.W0120 | M12            | 75             | 55             | 27             | 7.5                       |
| 34711.W0121 | M12            | 125            | 55             | 27             | 7.5                       |
| 34711.W0122 | M12            | 150            | 55             | 27             | 7.5                       |
| 34711.W0160 | M16            | 75             | 65             | 33             | 12.5                      |
| 34711.W0161 | M16            | 125            | 65             | 33             | 12.5                      |
| 34711.W0162 | M16            | 150            | 65             | 33             | 12.5                      |
| 34711.W0200 | M20            | 125            | 75             | 41             | 17.5                      |
| 34711.W0201 | M20            | 150            | 75             | 41             | 17.5                      |
| 34711.W0202 | M20            | 200            | 75             | 41             | 17.5                      |
| 34711.W0240 | M24            | 125            | 100            | 52             | 25.0                      |
| 34711.W0241 | M24            | 150            | 100            | 52             | 25.0                      |
| 34711.W0242 | M24            | 200            | 100            | 52             | 25.0                      |



## 34714

LEVELLING FEET

### Material

Stainless steel (AISI 304), with rubber pad (70 Shore A).

Stainless steel (AISI 316) version available

on request.

### Technical Notes

Load values refer to static loads, located at

half the screw height.

When vibrations or dynamic loads are present these values should be reduced.

| Order No.   | d <sub>1</sub> | l <sub>1</sub> | d <sub>2</sub> | h <sub>1</sub> | h <sub>2</sub> | h <sub>3</sub> | A/F | Load kN max. |
|-------------|----------------|----------------|----------------|----------------|----------------|----------------|-----|--------------|
| 34714.W1000 | M10            | 25             | 50             | 56             | 28             | 16.0           | 14  | 15           |
| 34714.W1001 | M10            | 50             | 50             | 81             | 28             | 16.0           | 14  | 15           |
| 34714.W1002 | M10            | 75             | 50             | 106            | 28             | 16.0           | 14  | 15           |
| 34714.W1003 | M10            | 100            | 50             | 131            | 28             | 16.0           | 14  | 15           |
| 34714.W1004 | M10            | 125            | 50             | 156            | 28             | 16.0           | 14  | 15           |
| 34714.W1200 | M12            | 25             | 50             | 56             | 28             | 16.0           | 14  | 15           |
| 34714.W1201 | M12            | 50             | 50             | 81             | 28             | 16.0           | 14  | 15           |
| 34714.W1202 | M12            | 75             | 50             | 106            | 28             | 16.0           | 14  | 15           |
| 34714.W1203 | M12            | 100            | 50             | 131            | 28             | 16.0           | 14  | 15           |
| 34714.W1204 | M12            | 125            | 50             | 156            | 28             | 16.0           | 14  | 15           |
| 34714.W1400 | M14            | 50             | 65             | 83             | 30             | 17.0           | 14  | 20           |
| 34714.W1401 | M14            | 75             | 65             | 108            | 30             | 17.0           | 14  | 20           |
| 34714.W1402 | M14            | 100            | 65             | 133            | 30             | 17.0           | 14  | 20           |
| 34714.W1403 | M14            | 125            | 65             | 158            | 30             | 17.0           | 14  | 20           |
| 34714.W1404 | M14            | 150            | 65             | 183            | 30             | 17.0           | 14  | 20           |
| 34714.W1600 | M16            | 50             | 100            | 96             | 43             | 20.0           | 20  | 35           |
| 34714.W1601 | M16            | 75             | 100            | 121            | 43             | 20.0           | 20  | 35           |
| 34714.W1602 | M16            | 100            | 100            | 146            | 43             | 20.0           | 20  | 35           |
| 34714.W1603 | M16            | 125            | 100            | 171            | 43             | 20.0           | 20  | 35           |
| 34714.W1604 | M16            | 150            | 100            | 196            | 43             | 20.0           | 20  | 35           |
| 34714.W1605 | M16            | 175            | 100            | 221            | 43             | 20.0           | 20  | 35           |
| 34714.W1606 | M16            | 200            | 100            | 246            | 43             | 20.0           | 20  | 35           |
| 34714.W2000 | M20            | 75             | 100            | 121            | 43             | 20.0           | 20  | 45           |
| 34714.W2001 | M20            | 100            | 100            | 146            | 43             | 20.0           | 20  | 45           |
| 34714.W2002 | M20            | 125            | 100            | 171            | 43             | 20.0           | 20  | 45           |
| 34714.W2003 | M20            | 150            | 100            | 196            | 43             | 20.0           | 20  | 45           |
| 34714.W2004 | M20            | 175            | 100            | 221            | 43             | 20.0           | 20  | 45           |
| 34714.W2005 | M20            | 200            | 100            | 246            | 43             | 20.0           | 20  | 45           |
| 34714.W2006 | M20            | 225            | 100            | 271            | 43             | 20.0           | 20  | 45           |
| 34714.W2007 | M20            | 250            | 100            | 296            | 43             | 20.0           | 20  | 45           |
| 34714.W2400 | M24            | 75             | 100            | 122            | 44             | 20.0           | 20  | 55           |
| 34714.W2401 | M24            | 100            | 100            | 147            | 44             | 20.0           | 20  | 55           |
| 34714.W2402 | M24            | 125            | 100            | 172            | 44             | 20.0           | 20  | 55           |



| Order No.          | d <sub>1</sub> | l <sub>1</sub> | d <sub>2</sub> | h <sub>1</sub> | h <sub>2</sub> | h <sub>3</sub> | A/F | Load<br>kN<br>max. |
|--------------------|----------------|----------------|----------------|----------------|----------------|----------------|-----|--------------------|
| <b>34714.W2403</b> | M24            | 150            | 100            | 202            | 44             | 20.0           | 20  | 55                 |
| <b>34714.W2404</b> | M24            | 175            | 100            | 222            | 44             | 20.0           | 20  | 55                 |
| <b>34714.W2405</b> | M24            | 200            | 100            | 247            | 44             | 20.0           | 20  | 55                 |
| <b>34714.W2406</b> | M24            | 225            | 100            | 272            | 44             | 20.0           | 20  | 55                 |
| <b>34714.W2407</b> | M24            | 250            | 100            | 297            | 44             | 20.0           | 20  | 55                 |
| <b>34714.W3000</b> | M30            | 100            | 120            | 150            | 47             | 23.0           | 26  | 65                 |
| <b>34714.W3001</b> | M30            | 125            | 120            | 175            | 47             | 23.0           | 26  | 65                 |
| <b>34714.W3002</b> | M30            | 150            | 120            | 200            | 47             | 23.0           | 26  | 65                 |
| <b>34714.W3003</b> | M30            | 175            | 120            | 225            | 47             | 23.0           | 26  | 65                 |
| <b>34714.W3004</b> | M30            | 200            | 120            | 250            | 47             | 23.0           | 26  | 65                 |
| <b>34714.W3005</b> | M30            | 225            | 120            | 275            | 47             | 23.0           | 26  | 65                 |
| <b>34714.W3006</b> | M30            | 250            | 120            | 300            | 47             | 23.0           | 26  | 65                 |

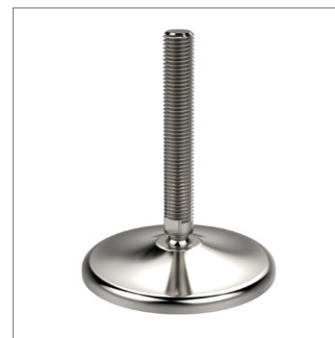
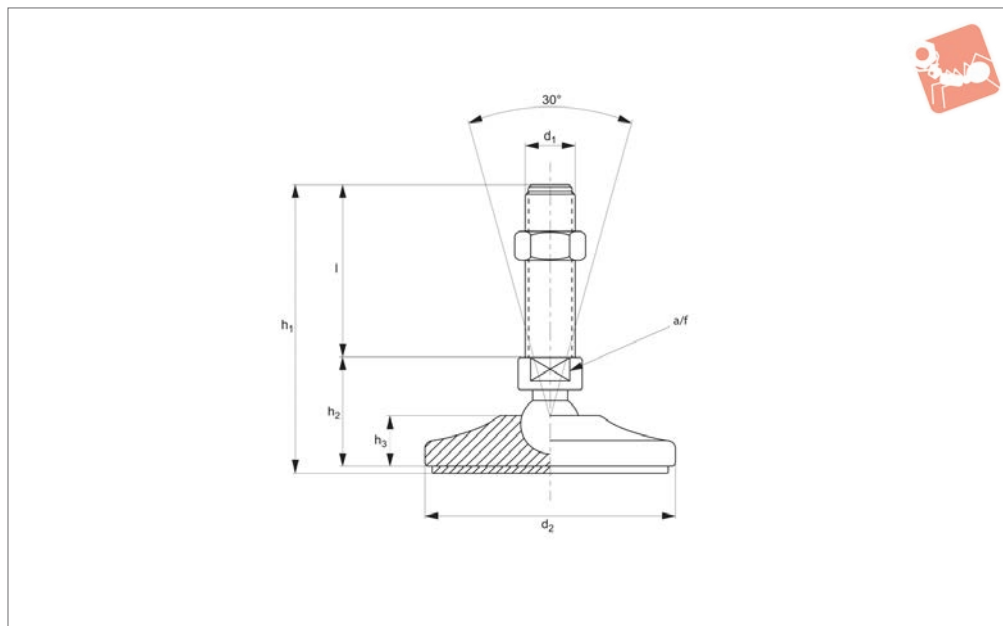


# Levelling Feet

stainless steel, heavy duty



# Levelling Feet



## 34716

LEVELLING FEET

### Material

Stainless steel (AISI 304), with rubber pad (70 Shore A).

Stainless steel (AISI 316) version available

on request.

### Technical Notes

Load values refer to static loads, located at

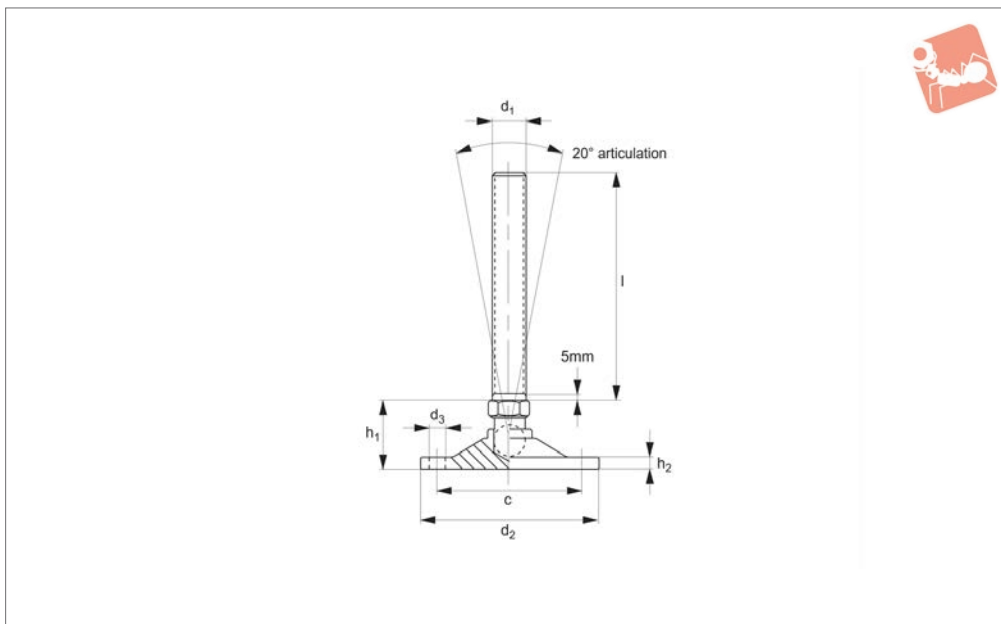
half the screw height.

When vibrations or dynamic loads are present these values should be reduced.

| Order No.   | d <sub>1</sub> | d <sub>2</sub> | l   | h <sub>1</sub> | h <sub>2</sub> | h <sub>3</sub> | A/F | Load kN max. |
|-------------|----------------|----------------|-----|----------------|----------------|----------------|-----|--------------|
| 34716.W2000 | M20            | 160            | 75  | 127            | 49             | 26             | 20  | 50           |
| 34716.W2001 | M20            | 160            | 100 | 152            | 49             | 26             | 20  | 50           |
| 34716.W2002 | M20            | 160            | 125 | 177            | 49             | 26             | 20  | 50           |
| 34716.W2003 | M20            | 160            | 150 | 202            | 49             | 26             | 20  | 50           |
| 34716.W2004 | M20            | 160            | 175 | 227            | 49             | 26             | 20  | 50           |
| 34716.W2005 | M20            | 160            | 200 | 252            | 49             | 26             | 20  | 50           |
| 34716.W2400 | M24            | 160            | 75  | 127            | 49             | 26             | 20  | 60           |
| 34716.W2401 | M24            | 160            | 100 | 152            | 49             | 26             | 20  | 60           |
| 34716.W2402 | M24            | 160            | 125 | 177            | 49             | 26             | 20  | 60           |
| 34716.W2403 | M24            | 160            | 150 | 202            | 49             | 26             | 20  | 60           |
| 34716.W2404 | M24            | 160            | 175 | 227            | 49             | 26             | 20  | 60           |
| 34716.W2405 | M24            | 160            | 200 | 252            | 49             | 26             | 20  | 60           |
| 34716.W3000 | M30            | 160            | 100 | 152            | 49             | 26             | 26  | 70           |
| 34716.W3001 | M30            | 160            | 125 | 177            | 49             | 26             | 26  | 70           |
| 34716.W3002 | M30            | 160            | 150 | 202            | 49             | 26             | 26  | 70           |
| 34716.W3003 | M30            | 160            | 175 | 227            | 49             | 26             | 26  | 70           |
| 34716.W3004 | M30            | 160            | 200 | 252            | 49             | 26             | 26  | 70           |
| 34716.W3005 | M30            | 160            | 225 | 277            | 49             | 26             | 26  | 70           |
| 34716.W3006 | M30            | 160            | 250 | 302            | 49             | 26             | 26  | 70           |
| 34716.W3600 | M36            | 160            | 150 | 204            | 51             | 26             | 32  | 80           |
| 34716.W3601 | M36            | 160            | 200 | 254            | 51             | 26             | 32  | 80           |



**34712**



### Material

Pad and bolt: stainless steel, AISI 303.

### Technical Notes

Bolt has a 20° angle of movement.

| Order No.   | d <sub>1</sub> | d <sub>2</sub> | c   | d <sub>3</sub> | l   | h <sub>1</sub> | h <sub>2</sub> | Static load<br>kN<br>max. |
|-------------|----------------|----------------|-----|----------------|-----|----------------|----------------|---------------------------|
| 34712.W0508 | M 8            | 50             | 40  | 5.5            | 60  | 22             | 4.0            | 3.0                       |
| 34712.W0600 | M10            | 50             | 40  | 5.5            | 75  | 22             | 5.0            | 5.0                       |
| 34712.W0620 | M12            | 50             | 40  | 5.5            | 75  | 25             | 4.0            | 7.5                       |
| 34712.W0621 | M12            | 60             | 50  | 5.5            | 75  | 25             | 5.0            | 12.5                      |
| 34712.W0622 | M12            | 60             | 50  | 5.5            | 125 | 25             | 5.0            | 12.5                      |
| 34712.W0623 | M12            | 60             | 50  | 5.5            | 150 | 25             | 5.0            | 12.5                      |
| 34712.W0660 | M16            | 80             | 68  | 6.5            | 75  | 31             | 6.0            | 17.5                      |
| 34712.W0661 | M16            | 80             | 68  | 6.5            | 125 | 31             | 6.0            | 17.5                      |
| 34712.W0662 | M16            | 80             | 68  | 6.5            | 150 | 31             | 6.0            | 17.5                      |
| 34712.W0700 | M20            | 100            | 82  | 9.0            | 125 | 39             | 6.5            | 25.0                      |
| 34712.W0701 | M20            | 100            | 82  | 9.0            | 150 | 39             | 6.5            | 25.0                      |
| 34712.W0702 | M20            | 100            | 82  | 9.0            | 200 | 39             | 6.5            | 25.0                      |
| 34712.W0703 | M24            | 120            | 100 | 11.0           | 150 | 56             | 7.5            | 37.5                      |
| 34712.W0704 | M24            | 120            | 100 | 11.0           | 200 | 56             | 7.5            | 37.5                      |

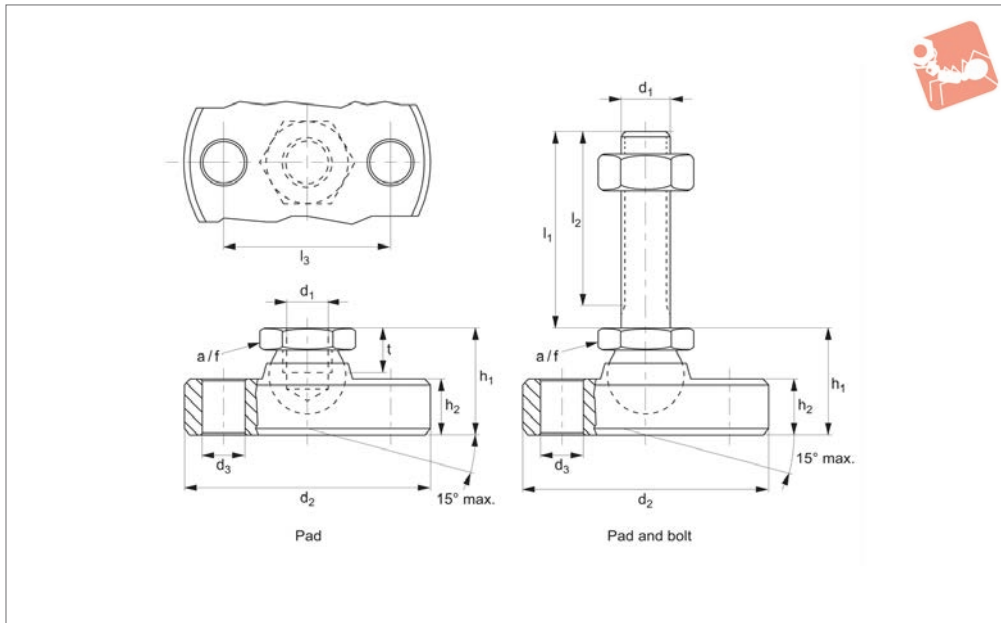




# Levelling Feet - Bolt Down, Heavy

pad and bolt **stainless steel**

# Levelling Feet



## 34713

LEVELLING FEET

### Material

Pad and bolt: stainless steel 1.4305, AISI 303.

Lock nut: Stainless steel A2, DIN 934 and

ISO 4032.

### Technical Notes

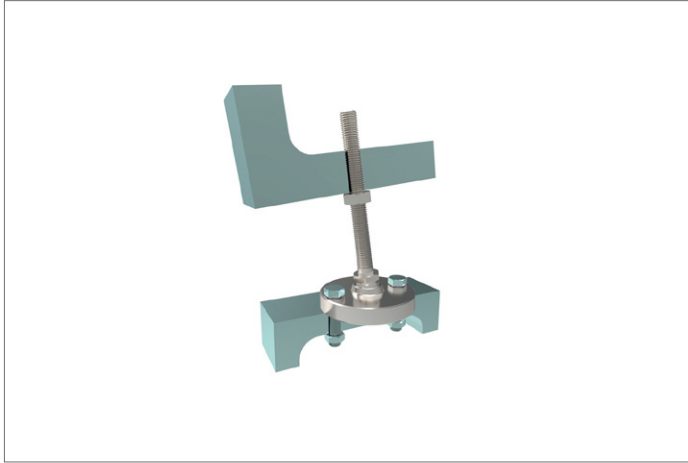
To be used as foot and thrust pad. Inclu-

ding two mounting holes in pad.

| Order No.   | Finish       | d <sub>1</sub> | l <sub>1</sub> | d <sub>2</sub><br>-0.5 | d <sub>3</sub> | l <sub>2</sub> | l <sub>3</sub> | h <sub>1</sub><br>≈ | h <sub>2</sub> | t    | A/F | Static load<br>kN<br>max. | Weight<br>g |
|-------------|--------------|----------------|----------------|------------------------|----------------|----------------|----------------|---------------------|----------------|------|-----|---------------------------|-------------|
| 34713.W0706 | Pad          | M 6            | -              | 45                     | 6.6            | -              | 32             | 14                  | 6.5            | 5.0  | 10  | 8                         | 79          |
| 34713.W0708 | Pad          | M 8            | -              | 50                     | 6.6            | -              | 38             | 18                  | 8.5            | 7.0  | 13  | 14                        | 130         |
| 34713.W0710 | Pad          | M10            | -              | 60                     | 9.0            | -              | 44             | 22                  | 11.5           | 9.0  | 17  | 16                        | 250         |
| 34713.W0712 | Pad          | M12            | -              | 65                     | 9.0            | -              | 48             | 26                  | 12.5           | 11.0 | 19  | 28                        | 326         |
| 34713.W0716 | Pad          | M16            | -              | 70                     | 9.0            | -              | 54             | 32                  | 13.5           | 13.5 | 24  | 36                        | 427         |
| 34713.W0720 | Pad          | M20            | -              | 80                     | 9.0            | -              | 64             | 42                  | 16.5           | 17.0 | 30  | 44                        | 718         |
| 34713.W0724 | Pad          | M24            | -              | 100                    | 11.0           | -              | 78             | 45                  | 20.5           | 19.0 | 36  | 52                        | 1304        |
| 34713.W0810 | Pad and Bolt | M 6            | 60             | 45                     | 6.6            | 57.0           | 32             | 14                  | 6.5            | -    | 10  | 8                         | 93          |
| 34713.W0822 | Pad and Bolt | M 8            | 80             | 50                     | 6.6            | 76.0           | 38             | 18                  | 8.5            | -    | 13  | 14                        | 163         |
| 34713.W0838 | Pad and Bolt | M10            | 100            | 60                     | 9.0            | 95.5           | 44             | 22                  | 11.5           | -    | 17  | 16                        | 318         |
| 34713.W0842 | Pad and Bolt | M10            | 150            | 60                     | 9.0            | 145.5          | 44             | 22                  | 11.5           | -    | 17  | 16                        | 341         |
| 34713.W0852 | Pad and Bolt | M12            | 100            | 65                     | 9.0            | 94.5           | 48             | 26                  | 12.5           | -    | 19  | 28                        | 423         |
| 34713.W0856 | Pad and Bolt | M12            | 150            | 65                     | 9.0            | 144.5          | 48             | 26                  | 12.5           | -    | 19  | 28                        | 459         |
| 34713.W0868 | Pad and Bolt | M16            | 100            | 70                     | 9.0            | 94.0           | 54             | 32                  | 13.5           | -    | 24  | 36                        | 615         |
| 34713.W0872 | Pad and Bolt | M16            | 200            | 70                     | 9.0            | 194.0          | 54             | 32                  | 13.5           | -    | 24  | 36                        | 746         |
| 34713.W0882 | Pad and Bolt | M20            | 100            | 80                     | 9.0            | 92.5           | 64             | 42                  | 16.5           | -    | 30  | 44                        | 1029        |
| 34713.W0888 | Pad and Bolt | M20            | 200            | 80                     | 9.0            | 192.5          | 64             | 42                  | 16.5           | -    | 30  | 44                        | 1231        |
| 34713.W0895 | Pad and Bolt | M24            | 100            | 100                    | 11.0           | 91.0           | 78             | 45                  | 20.5           | -    | 36  | 52                        | 1775        |
| 34713.W0898 | Pad and Bolt | M24            | 200            | 100                    | 11.0           | 191.0          | 78             | 45                  | 20.5           | -    | 36  | 52                        | 2075        |



LEVELLING FEET

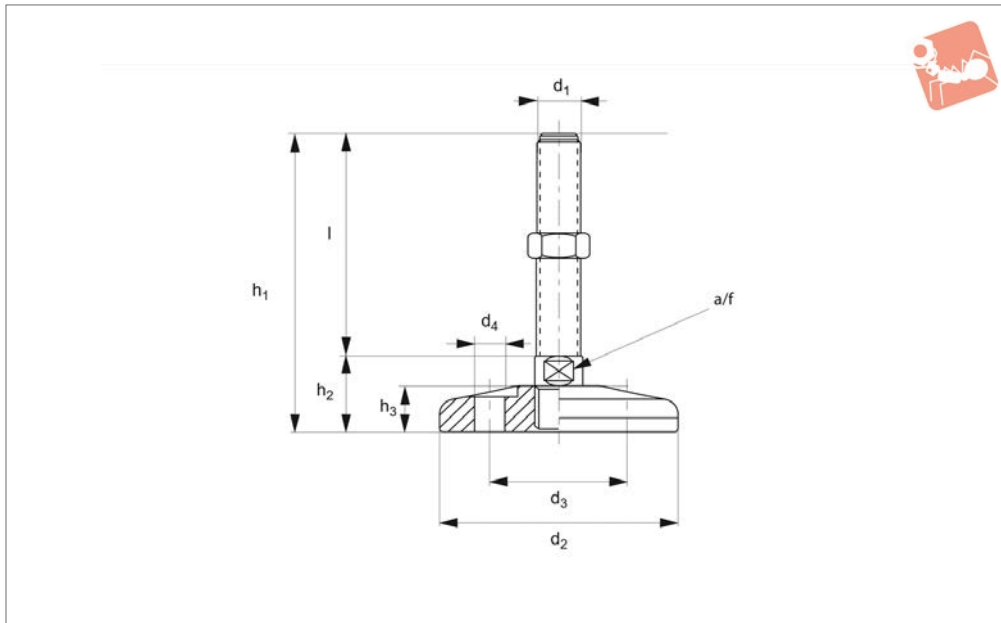




# Levelling Feet - Bolt Down

stainless steel, heavy duty

# Levelling Feet



## 34718

LEVELLING FEET

### Material

Stainless steel (AISI 304).  
Stainless steel (AISI 316) version available on request.

### Technical Notes

Load values refer to static loads, located at half the screw height.  
When vibrations or dynamic loads are

present these values should be reduced.

| Order No.   | d <sub>1</sub> | d <sub>2</sub> | d <sub>3</sub> | d <sub>4</sub> | l   | h <sub>1</sub> | h <sub>2</sub> | h <sub>3</sub> | A/F | Load kN max. |
|-------------|----------------|----------------|----------------|----------------|-----|----------------|----------------|----------------|-----|--------------|
| 34718.W1600 | M16            | 100            | 74             | 12.5           | 100 | 133            | 33             | 20             | 20  | 35           |
| 34718.W1601 | M16            | 100            | 74             | 12.5           | 150 | 183            | 33             | 20             | 20  | 35           |
| 34718.W1602 | M16            | 100            | 74             | 12.5           | 200 | 233            | 33             | 20             | 20  | 35           |
| 34718.W2000 | M20            | 100            | 74             | 12.5           | 100 | 133            | 33             | 20             | 20  | 40           |
| 34718.W2001 | M20            | 100            | 74             | 12.5           | 150 | 183            | 33             | 20             | 20  | 40           |
| 34718.W2002 | M20            | 100            | 74             | 12.5           | 200 | 233            | 33             | 20             | 20  | 40           |
| 34718.W2003 | M20            | 100            | 74             | 12.5           | 250 | 283            | 33             | 20             | 20  | 40           |
| 34718.W2400 | M24            | 100            | 74             | 12.5           | 100 | 134            | 34             | 20             | 20  | 45           |
| 34718.W2401 | M24            | 100            | 74             | 12.5           | 150 | 184            | 34             | 20             | 20  | 45           |
| 34718.W2402 | M24            | 100            | 74             | 12.5           | 200 | 234            | 34             | 20             | 20  | 45           |
| 34718.W2403 | M24            | 100            | 74             | 12.5           | 250 | 284            | 34             | 20             | 20  | 45           |
| 34718.W2004 | M20            | 120            | 74             | 12.5           | 100 | 135            | 35             | 22             | 20  | 45           |
| 34718.W2005 | M20            | 120            | 74             | 12.5           | 150 | 185            | 35             | 22             | 20  | 45           |
| 34718.W2006 | M20            | 120            | 74             | 12.5           | 200 | 235            | 35             | 22             | 20  | 45           |
| 34718.W2007 | M20            | 120            | 74             | 12.5           | 250 | 285            | 35             | 22             | 20  | 45           |
| 34718.W2404 | M24            | 120            | 74             | 12.5           | 100 | 136            | 36             | 22             | 20  | 50           |
| 34718.W2405 | M24            | 120            | 74             | 12.5           | 150 | 186            | 36             | 22             | 20  | 50           |
| 34718.W2406 | M24            | 120            | 74             | 12.5           | 200 | 231            | 36             | 22             | 20  | 50           |
| 34718.W2407 | M24            | 120            | 74             | 12.5           | 250 | 281            | 36             | 22             | 20  | 50           |
| 34718.W3000 | M30            | 120            | 74             | 12.5           | 100 | 136            | 36             | 22             | 26  | 60           |
| 34718.W3001 | M30            | 120            | 74             | 12.5           | 150 | 186            | 36             | 22             | 26  | 60           |
| 34718.W3002 | M30            | 120            | 74             | 12.5           | 200 | 236            | 36             | 22             | 26  | 60           |
| 34718.W3003 | M30            | 120            | 74             | 12.5           | 250 | 286            | 36             | 22             | 26  | 60           |
| 34718.W2008 | M20            | 159            | 74             | 12.5           | 100 | 136            | 36             | 23             | 20  | 50           |
| 34718.W2009 | M20            | 159            | 74             | 12.5           | 150 | 186            | 36             | 23             | 20  | 50           |
| 34718.W2010 | M20            | 159            | 74             | 12.5           | 200 | 236            | 36             | 23             | 20  | 50           |
| 34718.W2011 | M20            | 159            | 74             | 12.5           | 250 | 286            | 36             | 23             | 20  | 50           |
| 34718.W2408 | M24            | 159            | 74             | 12.5           | 100 | 137            | 37             | 23             | 20  | 60           |
| 34718.W2409 | M24            | 159            | 74             | 12.5           | 150 | 187            | 37             | 23             | 20  | 60           |
| 34718.W2410 | M24            | 159            | 74             | 12.5           | 200 | 237            | 37             | 23             | 20  | 60           |
| 34718.W2411 | M24            | 159            | 74             | 12.5           | 250 | 287            | 37             | 23             | 20  | 60           |
| 34718.W3004 | M30            | 159            | 74             | 12.5           | 100 | 137            | 37             | 23             | 26  | 70           |
| 34718.W3005 | M30            | 159            | 74             | 12.5           | 150 | 187            | 37             | 23             | 26  | 70           |



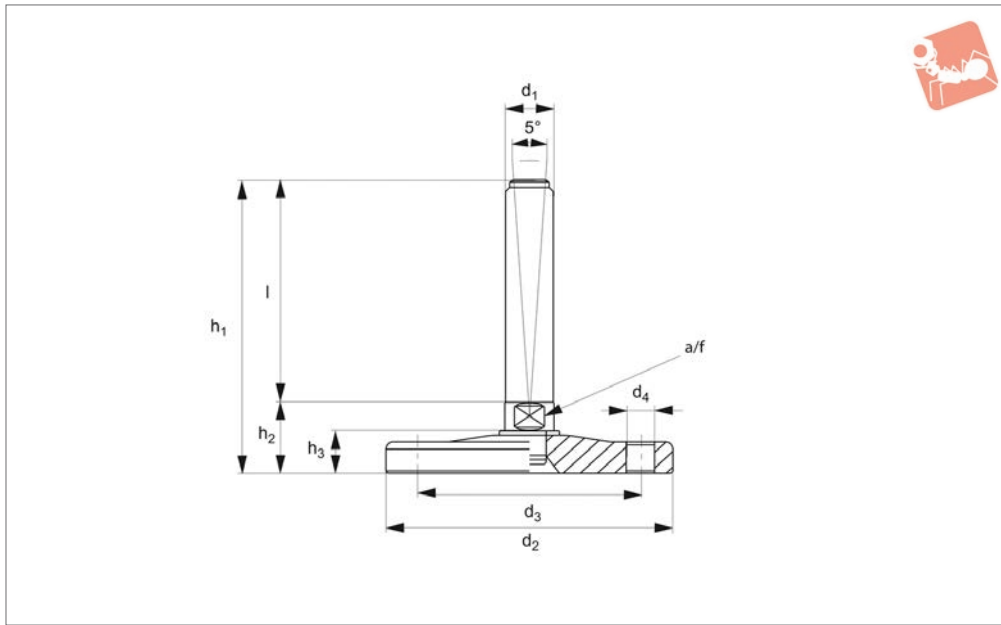
| Order No.          | d <sub>1</sub> | d <sub>2</sub> | d <sub>3</sub> | d <sub>4</sub> | l   | h <sub>1</sub> | h <sub>2</sub> | h <sub>3</sub> | A/F | Load<br>kN<br>max. |
|--------------------|----------------|----------------|----------------|----------------|-----|----------------|----------------|----------------|-----|--------------------|
| <b>34718.W3006</b> | M30            | 159            | 74             | 12.5           | 200 | 237            | 37             | 23             | 26  | 70                 |
| <b>34718.W3007</b> | M30            | 159            | 74             | 12.5           | 250 | 287            | 37             | 23             | 26  | 70                 |



# Levelling Feet - Bolt Down

stainless steel, medium load

# Levelling Feet



**34717**

LEVELLING FEET

### Material

Stainless steel (AISI 304).  
Stainless steel (AISI 316) version available on request.

### Technical Notes

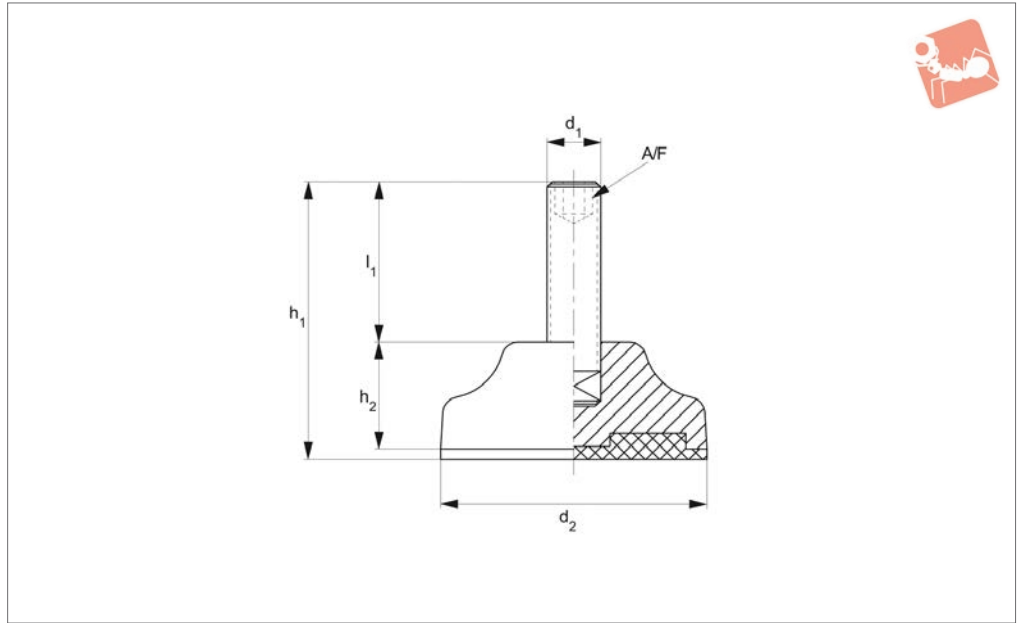
Load values refer to static loads, located at half the screw height.  
When vibrations or dynamic loads are

present these values should be reduced.

| Order No.   | d <sub>1</sub> | d <sub>2</sub> | d <sub>3</sub> | d <sub>4</sub> | l   | h <sub>1</sub> | h <sub>2</sub> | h <sub>3</sub> | A/F | Load kN max. |
|-------------|----------------|----------------|----------------|----------------|-----|----------------|----------------|----------------|-----|--------------|
| 34717.W1400 | M14            | 80             | 62             | 10.5           | 50  | 70             | 20             | 11.5           | 14  | 20           |
| 34717.W1401 | M14            | 80             | 62             | 10.5           | 100 | 120            | 20             | 11.5           | 14  | 20           |
| 34717.W1402 | M14            | 80             | 62             | 10.5           | 150 | 170            | 20             | 11.5           | 14  | 20           |
| 34717.W1600 | M16            | 120            | 62             | 12.5           | 75  | 104            | 29             | 16.5           | 17  | 40           |
| 34717.W1601 | M16            | 120            | 62             | 12.5           | 100 | 129            | 29             | 16.5           | 17  | 40           |
| 34717.W1602 | M16            | 120            | 62             | 12.5           | 150 | 179            | 29             | 16.5           | 17  | 40           |
| 34717.W2000 | M20            | 120            | 62             | 12.5           | 75  | 104            | 29             | 16.5           | 17  | 40           |
| 34717.W2001 | M20            | 120            | 62             | 12.5           | 125 | 154            | 29             | 16.5           | 17  | 40           |
| 34717.W2002 | M20            | 120            | 62             | 12.5           | 175 | 204            | 29             | 16.5           | 17  | 40           |
| 34717.W2400 | M24            | 120            | 62             | 12.5           | 100 | 130            | 30             | 16.5           | 20  | 45           |
| 34717.W2401 | M24            | 120            | 62             | 12.5           | 150 | 180            | 30             | 16.5           | 20  | 45           |
| 34717.W2402 | M24            | 120            | 62             | 12.5           | 200 | 230            | 30             | 16.5           | 20  | 45           |
| 34717.W3000 | M30            | 120            | 62             | 12.5           | 125 | 155            | 30             | 16.5           | 26  | 45           |
| 34717.W3001 | M30            | 120            | 62             | 12.5           | 175 | 205            | 30             | 16.5           | 26  | 45           |
| 34717.W3002 | M30            | 120            | 62             | 12.5           | 225 | 255            | 30             | 16.5           | 26  | 45           |
| 34717.W2003 | M20            | 150            | 62             | 12.5           | 75  | 104            | 29             | 16.5           | 17  | 50           |
| 34717.W2004 | M20            | 150            | 62             | 12.5           | 125 | 154            | 29             | 16.5           | 17  | 50           |
| 34717.W2005 | M20            | 150            | 62             | 12.5           | 175 | 204            | 29             | 16.5           | 17  | 50           |
| 34717.W2403 | M24            | 150            | 62             | 12.5           | 100 | 130            | 30             | 16.5           | 20  | 55           |
| 34717.W2404 | M24            | 150            | 62             | 12.5           | 150 | 180            | 30             | 16.5           | 20  | 55           |
| 34717.W2405 | M24            | 150            | 62             | 12.5           | 200 | 230            | 30             | 16.5           | 20  | 55           |



**34611**



LEVELLING FEET

**Material**

Pad: polyamide reinforced by fibre glass with anti-slip pad.  
Bolt: steel (C40)

**Technical Notes**

Load values refer to static loads, located at half the screw height.  
When vibrations or dynamic loads are

present these values should be reduced.

| Order No.   | d <sub>1</sub> | d <sub>2</sub> | l  | h <sub>1</sub> | h <sub>2</sub> | A/F | Load kN max. |
|-------------|----------------|----------------|----|----------------|----------------|-----|--------------|
| 34611.W0800 | M 8            | 40             | 25 | 44             | 19             | 4   | 5            |
| 34611.W0801 | M 8            | 40             | 50 | 69             | 19             | 4   | 5            |
| 34611.W0802 | M 8            | 50             | 25 | 48             | 23             | 4   | 6            |
| 34611.W0803 | M 8            | 50             | 50 | 73             | 23             | 4   | 6            |
| 34611.W1000 | M10            | 40             | 25 | 44             | 19             | 5   | 5            |
| 34611.W1001 | M10            | 40             | 50 | 69             | 19             | 5   | 5            |
| 34611.W1002 | M10            | 50             | 25 | 48             | 23             | 5   | 6            |
| 34611.W1003 | M10            | 50             | 50 | 73             | 23             | 5   | 6            |

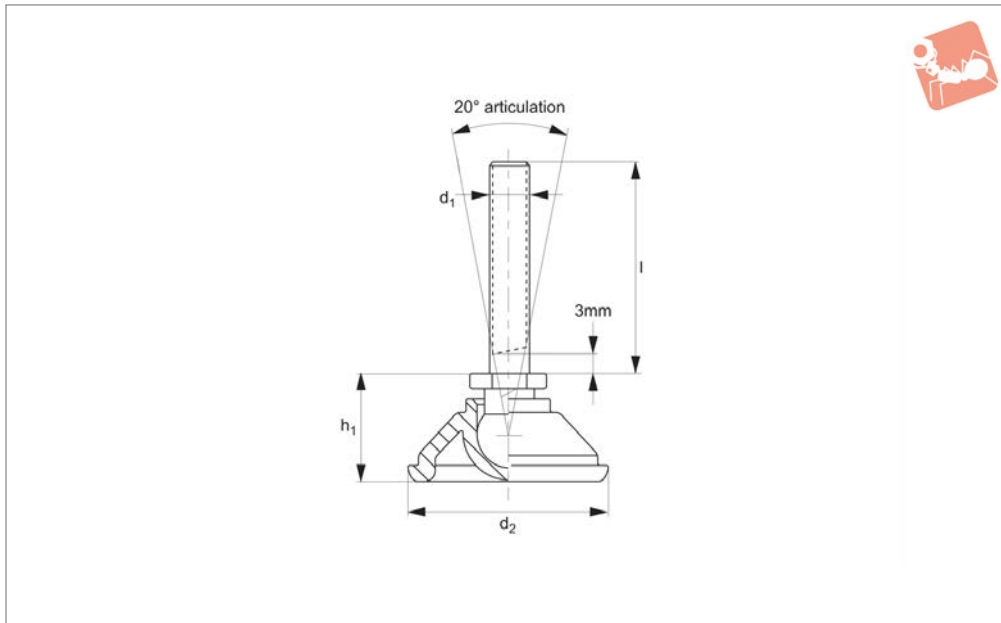


# Levelling Feet

pad plastic, bolt steel



# Levelling Feet



**34721**

LEVELLING FEET

### Material

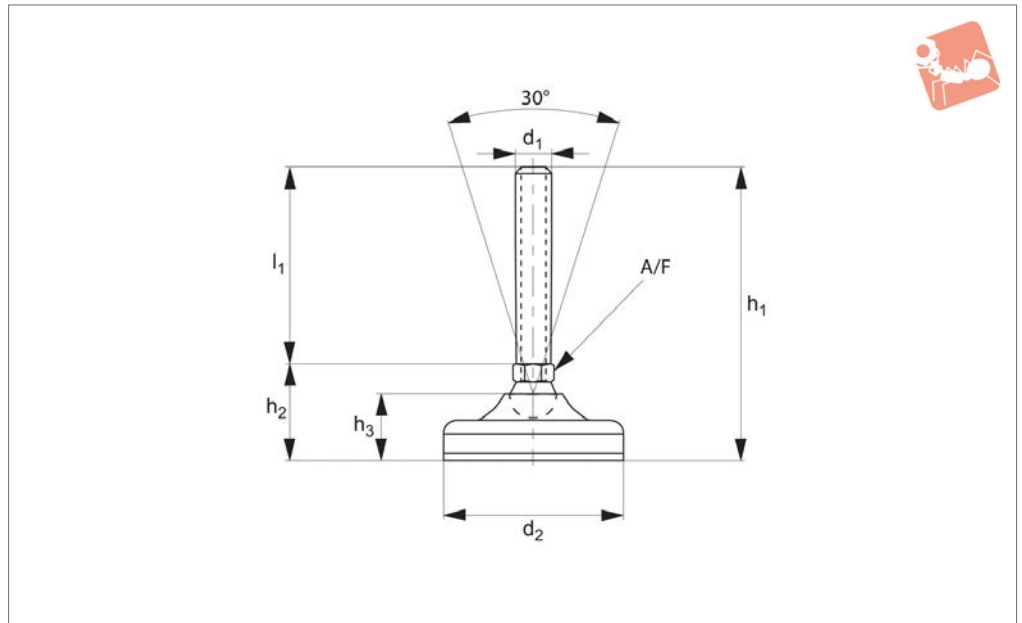
Pad: polyamide reinforced nylon.

Bolt: mild steel, plated.

| Order No.   | d <sub>1</sub> | d <sub>2</sub> | l   | h <sub>1</sub> | Static load<br>kN<br>max. |
|-------------|----------------|----------------|-----|----------------|---------------------------|
| 34721.W0060 | M 6            | 40             | 20  | 21             | 3.0                       |
| 34721.W0061 | M 6            | 50             | 20  | 23             | 3.0                       |
| 34721.W0062 | M 6            | 40             | 40  | 21             | 3.0                       |
| 34721.W0063 | M 6            | 50             | 40  | 23             | 3.0                       |
| 34721.W0080 | M 8            | 40             | 25  | 21             | 4.5                       |
| 34721.W0081 | M 8            | 50             | 25  | 23             | 4.5                       |
| 34721.W0082 | M 8            | 40             | 40  | 21             | 4.5                       |
| 34721.W0083 | M 8            | 50             | 40  | 23             | 4.5                       |
| 34721.W0084 | M 8            | 40             | 60  | 21             | 4.5                       |
| 34721.W0085 | M 8            | 50             | 60  | 23             | 4.5                       |
| 34721.W0100 | M10            | 40             | 38  | 21             | 5.0                       |
| 34721.W0101 | M10            | 50             | 38  | 23             | 5.0                       |
| 34721.W0102 | M10            | 40             | 60  | 21             | 5.0                       |
| 34721.W0103 | M10            | 50             | 60  | 23             | 5.0                       |
| 34721.W0104 | M10            | 40             | 75  | 21             | 5.0                       |
| 34721.W0105 | M10            | 50             | 75  | 23             | 5.0                       |
| 34721.W0120 | M12            | 40             | 50  | 23             | 6.0                       |
| 34721.W0121 | M12            | 50             | 50  | 25             | 6.0                       |
| 34721.W0122 | M12            | 40             | 75  | 23             | 6.0                       |
| 34721.W0123 | M12            | 50             | 75  | 25             | 6.0                       |
| 34721.W0124 | M12            | 40             | 100 | 23             | 6.0                       |
| 34721.W0125 | M12            | 50             | 100 | 25             | 6.0                       |
| 34721.W0126 | M12            | 40             | 125 | 23             | 6.0                       |
| 34721.W0127 | M12            | 50             | 125 | 25             | 6.0                       |



## 34723



LEVELLING FEET

### Material

Pad: polyamide reinforced by fibre glass with anti-slip pad.  
Bolt: galvanized steel (C40)

### Technical Notes

Load values refer to static loads, located at half the screw height.  
When vibrations or dynamic loads are

present these values should be reduced.

| Order No.   | d <sub>1</sub> | d <sub>2</sub> | h <sub>1</sub> | h <sub>2</sub> | h <sub>3</sub> | l <sub>1</sub> | A/F | Load kN max. |
|-------------|----------------|----------------|----------------|----------------|----------------|----------------|-----|--------------|
| 34723.W0801 | M 8            | 40             | 55             | 30             | 19.5           | 25             | 12  | 10           |
| 34723.W0802 | M 8            | 40             | 80             | 30             | 19.5           | 50             | 12  | 10           |
| 34723.W0803 | M 8            | 40             | 105            | 30             | 19.5           | 75             | 12  | 10           |
| 34723.W0804 | M 8            | 40             | 130            | 30             | 19.5           | 100            | 12  | 10           |
| 34723.W1000 | M10            | 65             | 86             | 36             | 26.0           | 50             | 14  | 11           |
| 34723.W1001 | M10            | 65             | 111            | 36             | 26.0           | 75             | 14  | 11           |
| 34723.W1002 | M10            | 65             | 136            | 36             | 26.0           | 100            | 14  | 11           |
| 34723.W1003 | M10            | 65             | 161            | 36             | 26.0           | 125            | 14  | 11           |
| 34723.W1200 | M12            | 65             | 86             | 36             | 26.0           | 50             | 14  | 11           |
| 34723.W1201 | M12            | 65             | 111            | 36             | 26.0           | 75             | 14  | 11           |
| 34723.W1202 | M12            | 65             | 136            | 36             | 26.0           | 100            | 14  | 11           |
| 34723.W1203 | M12            | 65             | 161            | 36             | 26.0           | 125            | 14  | 11           |
| 34723.W1400 | M14            | 65             | 86             | 36             | 26.0           | 50             | 14  | 15           |
| 34723.W1401 | M14            | 65             | 111            | 36             | 26.0           | 75             | 14  | 15           |
| 34723.W1402 | M14            | 65             | 136            | 36             | 26.0           | 100            | 14  | 15           |
| 34723.W1403 | M14            | 65             | 161            | 36             | 26.0           | 125            | 14  | 15           |
| 34723.W1404 | M14            | 65             | 186            | 36             | 26.0           | 150            | 14  | 15           |
| 34723.W1405 | M14            | 65             | 211            | 36             | 26.0           | 175            | 14  | 15           |
| 34723.W1600 | M16            | 65             | 86             | 36             | 26.0           | 50             | 16  | 15           |
| 34723.W1601 | M16            | 65             | 111            | 36             | 26.0           | 75             | 16  | 15           |
| 34723.W1602 | M16            | 65             | 136            | 36             | 26.0           | 100            | 16  | 15           |
| 34723.W1603 | M16            | 65             | 161            | 36             | 26.0           | 125            | 16  | 15           |
| 34723.W1604 | M16            | 65             | 186            | 36             | 26.0           | 150            | 16@ | 15           |
| 34723.W1605 | M16            | 65             | 211            | 36             | 26.0           | 175            | 16@ | 15           |
| 34723.W1606 | M16            | 65             | 236            | 36             | 26.0           | 200            | 16@ | 15           |
| 34723.W2000 | M20            | 65             | 115            | 40             | 26.0           | 75             | 17  | 15           |
| 34723.W2001 | M20            | 65             | 140            | 40             | 26.0           | 100            | 17  | 15           |
| 34723.W2002 | M20            | 65             | 165            | 40             | 26.0           | 125            | 17  | 15           |
| 34723.W2003 | M20            | 65             | 190            | 40             | 26.0           | 150            | 17  | 15           |
| 34723.W2004 | M20            | 65             | 215            | 40             | 26.0           | 175            | 17  | 15           |
| 34723.W2005 | M20            | 65             | 240            | 40             | 26.0           | 200            | 17  | 15           |

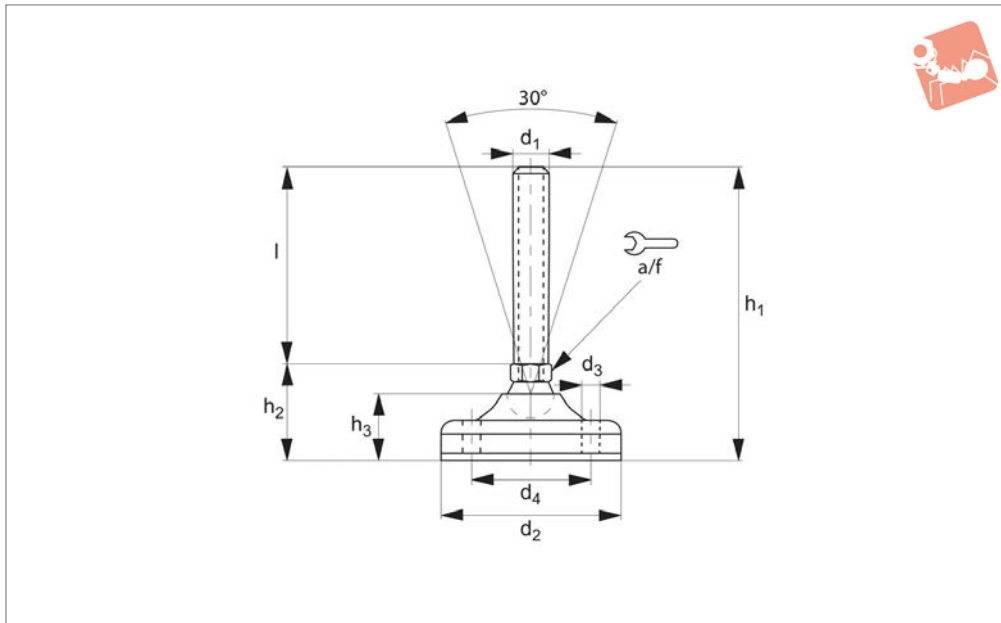




# Levelling Feet - Heavy Duty

bolt down option, bolt steel

## Levelling Feet



**34726**

LEVELLING FEET

### Material

Pad: polyamide reinforced by fibre glass with anti-slip pad.  
Bolt: steel (C40)

### Technical Notes

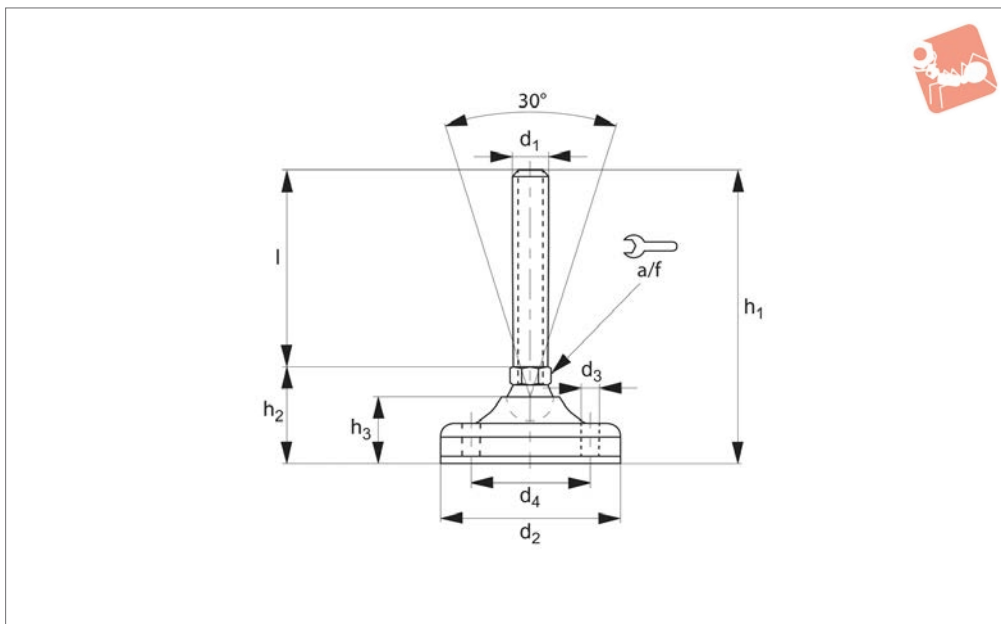
Load values refer to static loads, located at half the screw height.  
When vibrations or dynamic loads are

present these values should be reduced.

| Order No.   | d <sub>1</sub> | d <sub>2</sub> | d <sub>3</sub> | d <sub>4</sub> | l   | h <sub>1</sub> | h <sub>2</sub> | h <sub>3</sub> | A/F | Load kN max. |
|-------------|----------------|----------------|----------------|----------------|-----|----------------|----------------|----------------|-----|--------------|
| 34726.W1600 | M16            | 123            | 12.5           | 73             | 50  | 110            | 60             | 40             | 20  | 35           |
| 34726.W1601 | M16            | 123            | 12.5           | 73             | 75  | 135            | 60             | 40@            | 20  | 35           |
| 34726.W1602 | M16            | 123            | 12.5           | 73             | 100 | 160            | 60             | 40             | 20  | 35           |
| 34726.W1603 | M16            | 123            | 12.5           | 73             | 125 | 185            | 60             | 40@            | 20  | 35           |
| 34726.W1604 | M16            | 123            | 12.5           | 73             | 150 | 210            | 60             | 40             | 20  | 35           |
| 34726.W1605 | M16            | 123            | 12.5           | 73             | 175 | 235            | 60             | 40             | 20  | 35           |
| 34726.W1606 | M16            | 123            | 12.5           | 73             | 200 | 260            | 60             | 40             | 20  | 35           |
| 34726.W1607 | M16            | 123            | 12.5           | 73             | 225 | 288            | 60             | 40             | 20  | 35           |
| 34726.W2000 | M20            | 123            | 12.5           | 73             | 75  | 135            | 60             | 40             | 20  | 35           |
| 34726.W2001 | M20            | 123            | 12.5           | 73             | 100 | 160            | 60             | 40             | 20  | 35           |
| 34726.W2002 | M20            | 123            | 12.5           | 73             | 125 | 185            | 60             | 40             | 20  | 35           |
| 34726.W2003 | M20            | 123            | 12.5           | 73             | 150 | 210            | 60             | 40             | 20  | 35           |
| 34726.W2004 | M20            | 123            | 12.5           | 73             | 175 | 235            | 60             | 40             | 20  | 35           |
| 34726.W2005 | M20            | 123            | 12.5           | 73             | 200 | 260            | 60             | 40             | 20  | 35           |
| 34726.W2006 | M20            | 123            | 12.5           | 73             | 225 | 285            | 60             | 40             | 20  | 35           |
| 34726.W2007 | M20            | 123            | 12.5           | 73             | 250 | 310            | 60             | 40             | 20  | 35           |
| 34726.W2400 | M24            | 123            | 12.5           | 73             | 75  | 135            | 60             | 40             | 20  | 35           |
| 34726.W2401 | M24            | 123            | 12.5           | 73             | 100 | 160            | 60             | 40             | 20  | 35           |
| 34726.W2402 | M24            | 123            | 12.5           | 73             | 125 | 185            | 60             | 40             | 20  | 35           |
| 34726.W2403 | M24            | 123            | 12.5           | 73             | 150 | 210            | 60             | 40             | 20  | 35           |
| 34726.W2404 | M24            | 123            | 12.5           | 73             | 175 | 235            | 60             | 40             | 20  | 35           |
| 34726.W2405 | M24            | 123            | 12.5           | 73             | 200 | 260            | 60             | 40             | 20  | 35           |
| 34726.W2406 | M24            | 123            | 12.5           | 73             | 225 | 285            | 60             | 40             | 20  | 35           |
| 34726.W2407 | M24            | 123            | 12.5           | 73             | 250 | 310            | 60             | 40             | 20  | 35           |
| 34726.W3000 | M30            | 123            | 12.5           | 73             | 100 | 161            | 60             | 40             | 20  | 35           |
| 34726.W3001 | M30            | 123            | 12.5           | 73             | 125 | 186            | 60             | 40             | 20  | 35           |
| 34726.W3002 | M30            | 123            | 12.5           | 73             | 150 | 211            | 60             | 40             | 20  | 35           |
| 34726.W3003 | M30            | 123            | 12.5           | 73             | 175 | 236            | 60             | 40             | 20  | 35           |
| 34726.W3004 | M30            | 123            | 12.5           | 73             | 200 | 261            | 60             | 40             | 20  | 35           |
| 34726.W3005 | M30            | 123            | 12.5           | 73             | 225 | 286            | 60             | 40             | 20  | 35           |
| 34726.W3006 | M30            | 123            | 12.5           | 73             | 250 | 311            | 60             | 40             | 20  | 35           |



## 34724



### Material

Pad: polyamide reinforced by fibre glass with anti-slip pad.  
Bolt: steel (C40)

### Technical Notes

Load values refer to static loads, located at half the screw height.  
When vibrations or dynamic loads are

present these values should be reduced.

| Order No.   | d <sub>1</sub> | d <sub>2</sub> | d <sub>3</sub> | d <sub>4</sub> | l   | h <sub>1</sub> | h <sub>2</sub> | h <sub>3</sub> | A/F | Load kN max. |
|-------------|----------------|----------------|----------------|----------------|-----|----------------|----------------|----------------|-----|--------------|
| 34724.W1000 | M10            | 83             | 8.5            | 55             | 50  | 91             | 41             | 30             | 14  | 15           |
| 34724.W1001 | M10            | 83             | 8.5            | 55             | 75  | 116            | 41             | 30             | 14  | 15           |
| 34724.W1002 | M10            | 83             | 8.5            | 55             | 100 | 141            | 41             | 30             | 14  | 15           |
| 34724.W1003 | M10            | 83             | 8.5            | 55             | 125 | 166            | 41             | 30             | 14  | 15           |
| 34724.W1200 | M12            | 83             | 8.5            | 55             | 50  | 91             | 41             | 30             | 14  | 15           |
| 34724.W1201 | M12            | 83             | 8.5            | 55             | 75  | 116            | 41             | 30             | 14  | 15           |
| 34724.W1202 | M12            | 83             | 8.5            | 55             | 100 | 141            | 41             | 30             | 14  | 15           |
| 34724.W1203 | M12            | 83             | 8.5            | 55             | 125 | 161            | 41             | 30             | 14  | 15           |
| 34724.W1400 | M14            | 83             | 8.5            | 55             | 50  | 91             | 41             | 30             | 14  | 20           |
| 34724.W1401 | M14            | 83             | 8.5            | 55             | 75  | 116            | 41             | 30             | 14  | 20           |
| 34724.W1402 | M14            | 83             | 8.5            | 55             | 100 | 141            | 41             | 30             | 14  | 20           |
| 34724.W1403 | M14            | 83             | 8.5            | 55             | 125 | 166            | 41             | 30             | 14  | 20           |
| 34724.W1404 | M14            | 83             | 8.5            | 55             | 150 | 191            | 41             | 30             | 14  | 20           |
| 34724.W1405 | M14            | 83             | 8.5            | 55             | 175 | 216            | 41             | 30             | 14  | 20           |
| 34724.W1600 | M16            | 83             | 8.5            | 55             | 50  | 91             | 41             | 30             | 16  | 20           |
| 34724.W1601 | M16            | 83             | 8.5            | 55             | 75  | 116            | 41             | 30             | 16  | 20           |
| 34724.W1602 | M16            | 83             | 8.5            | 55             | 100 | 141            | 41             | 30             | 16  | 20           |
| 34724.W1603 | M16            | 83             | 8.5            | 55             | 125 | 166            | 41             | 30             | 16  | 20           |
| 34724.W1604 | M16            | 83             | 8.5            | 55             | 150 | 191            | 41             | 30             | 16  | 20           |
| 34724.W1605 | M16            | 83             | 8.5            | 55             | 175 | 216            | 41             | 30             | 16  | 20           |
| 34724.W1606 | M16            | 83             | 8.5            | 55             | 200 | 241            | 41             | 30             | 16  | 20           |
| 34724.W1607 | M16            | 103            | 12.5           | 73             | 50  | 104            | 54             | 35@            | 20  | 25           |
| 34724.W1608 | M16            | 103            | 12.5           | 73             | 75  | 129            | 54             | 35@            | 20  | 25           |
| 34724.W1609 | M16            | 103            | 12.5           | 73             | 100 | 154            | 54             | 35@            | 20  | 25           |
| 34724.W1700 | M16            | 103            | 12.5           | 73             | 125 | 179            | 54             | 35@            | 20  | 25           |
| 34724.W1701 | M16            | 103            | 12.5           | 73             | 150 | 204            | 54             | 35@            | 20  | 25           |
| 34724.W1702 | M16            | 103            | 12.5           | 73             | 175 | 229            | 54             | 35             | 20  | 25           |
| 34724.W1703 | M16            | 103            | 12.5           | 73             | 200 | 254            | 54             | 35@            | 20  | 25           |
| 34724.W1704 | M16            | 103            | 12.5           | 73             | 225 | 279            | 54             | 35@            | 20  | 25           |
| 34724.W2000 | M20            | 83             | 8.5            | 55             | 75  | 119            | 44             | 30@            | 17  | 20           |
| 34724.W2001 | M20            | 83             | 8.5            | 55             | 100 | 144            | 44             | 30             | 17  | 20           |
| 34724.W2002 | M20            | 83             | 8.5            | 55             | 125 | 169            | 44             | 30             | 17  | 20           |
| 34724.W2003 | M20            | 83             | 8.5            | 55             | 150 | 194            | 44             | 30             | 17  | 20           |



# Levelling Feet

plastic pad, bolt steel



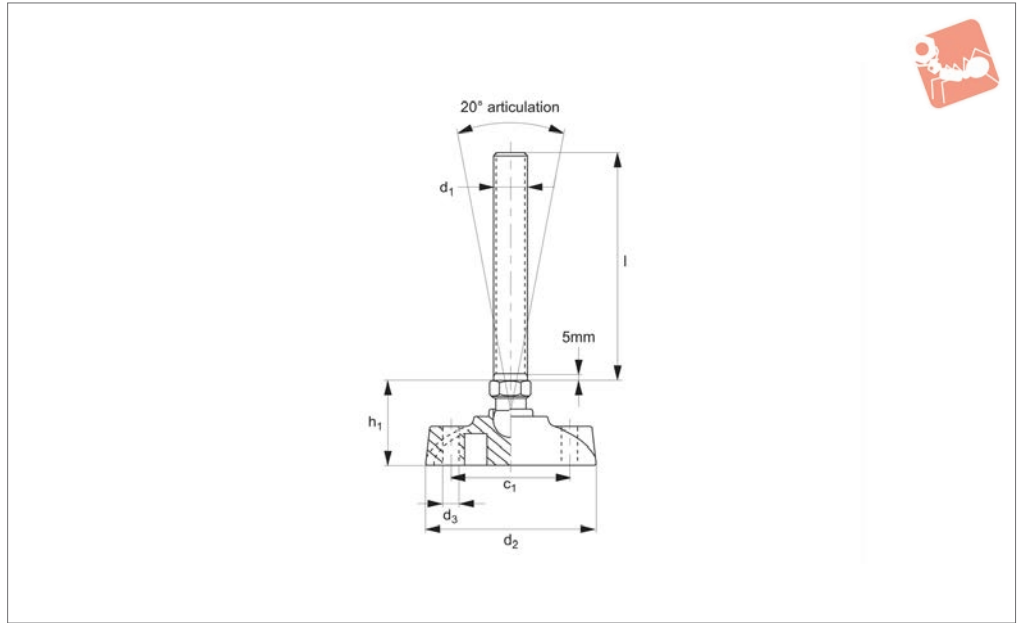
# Levelling Feet

| Order No.   | d <sub>1</sub> | d <sub>2</sub> | d <sub>3</sub> | d <sub>4</sub> | l   | h <sub>1</sub> | h <sub>2</sub> | h <sub>3</sub> | A/F | Load<br>kN<br>max. |
|-------------|----------------|----------------|----------------|----------------|-----|----------------|----------------|----------------|-----|--------------------|
| 34724.W2004 | M20            | 83             | 8.5            | 55             | 175 | 219            | 44             | 30             | 17  | 20                 |
| 34724.W2005 | M20            | 83             | 8.5            | 55             | 200 | 244            | 44             | 30             | 17  | 20                 |
| 34724.W2006 | M20            | 83             | 8.5            | 55             | 225 | 269            | 44             | 30             | 17  | 20                 |
| 34724.W2007 | M20            | 103            | 12.5           | 73             | 75  | 129            | 54             | 35             | 20  | 25                 |
| 34724.W2008 | M20            | 103            | 12.5           | 73             | 100 | 154            | 54             | 35             | 20  | 25                 |
| 34724.W2009 | M20            | 103            | 12.5           | 73             | 125 | 179            | 54             | 35             | 20  | 25                 |
| 34724.W2010 | M20            | 103            | 12.5           | 73             | 150 | 204            | 54             | 35             | 20  | 25                 |
| 34724.W2011 | M20            | 103            | 12.5           | 73             | 175 | 229            | 54             | 35             | 20  | 25                 |
| 34724.W2012 | M20            | 103            | 12.5           | 73             | 200 | 254            | 54             | 35             | 20  | 25                 |
| 34724.W2013 | M20            | 103            | 12.5           | 73             | 225 | 279            | 54             | 35             | 20  | 25                 |
| 34724.W2014 | M20            | 103            | 12.5           | 73             | 250 | 304            | 54             | 35             | 20  | 25                 |
| 34724.W2400 | M24            | 103            | 12.5           | 73             | 75  | 129            | 54             | 35             | 20  | 25                 |
| 34724.W2401 | M24            | 103            | 12.5           | 73             | 100 | 154            | 54             | 35             | 20  | 25                 |
| 34724.W2402 | M24            | 103            | 12.5           | 73             | 125 | 179            | 54             | 35             | 20  | 25                 |
| 34724.W2403 | M24            | 103            | 12.5           | 73             | 150 | 204            | 54             | 35             | 20  | 25                 |
| 34724.W2404 | M24            | 103            | 12.5           | 73             | 175 | 229            | 54             | 35             | 20  | 25                 |
| 34724.W2405 | M24            | 103            | 12.5           | 73             | 200 | 254            | 54             | 35             | 20  | 25                 |
| 34724.W2406 | M24            | 103            | 12.5           | 73             | 225 | 279            | 54             | 35             | 20  | 25                 |
| 34724.W2407 | M24            | 103            | 12.5           | 73             | 250 | 304            | 54             | 35             | 20  | 25                 |

LEVELLING FEET



**34722**



**Material**

Pad: polyamide reinforced nylon.  
 Bolt: mild steel, electrolyses nickel plated.

**Technical Notes**

Supplied with plastic mounting hole plugs, these prevent material and waste entering

the mounting holes, thus simplifying cleaning and maintenance.

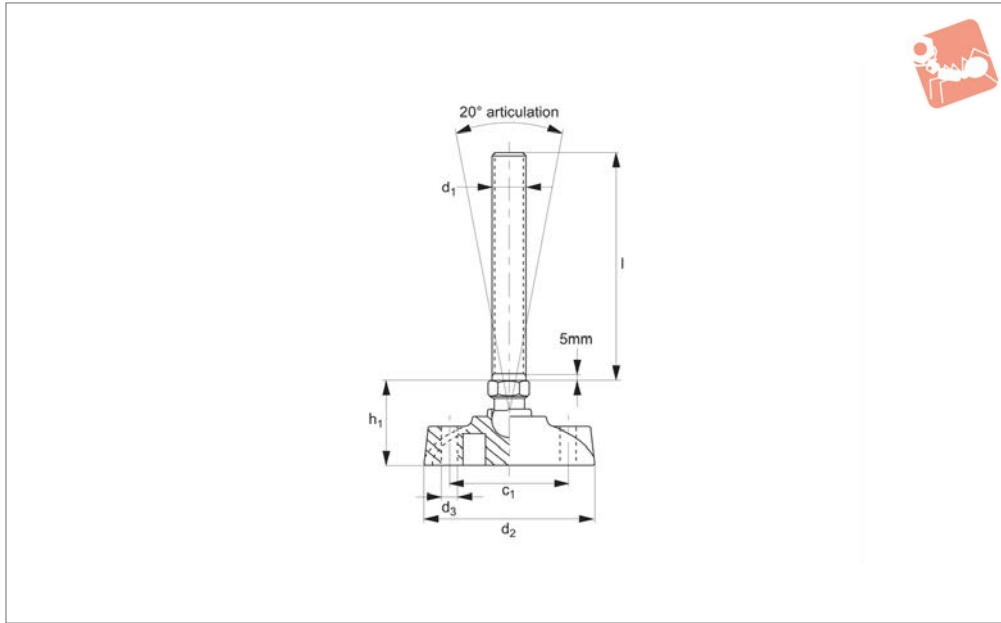
| Order No.   | d <sub>2</sub> | d <sub>3</sub> | l   | c <sub>1</sub> | h <sub>1</sub> | Static load<br>kN<br>max. | Thread size d <sub>1</sub> |
|-------------|----------------|----------------|-----|----------------|----------------|---------------------------|----------------------------|
| 34722.W0620 | 100            | 10.5           | 75  | 70             | 42             | 10                        | M12                        |
| 34722.W0621 | 100            | 10.5           | 125 | 70             | 42             | 10                        | M12                        |
| 34722.W0661 | 100            | 10.5           | 125 | 70             | 45             | 20                        | M16                        |
| 34722.W0662 | 100            | 10.5           | 150 | 70             | 45             | 20                        | M16                        |
| 34722.W0663 | 100            | 10.5           | 200 | 70             | 45             | 20                        | M16                        |
| 34722.W0700 | 100            | 10.5           | 125 | 70             | 49             | 20                        | M20                        |
| 34722.W0701 | 100            | 10.5           | 150 | 70             | 49             | 20                        | M20                        |
| 34722.W0720 | 100            | 10.5           | 125 | 70             | 53             | 20                        | M24                        |
| 34722.W0721 | 100            | 10.5           | 150 | 70             | 53             | 20                        | M24                        |
| 34722.W0722 | 100            | 10.5           | 200 | 70             | 53             | 20                        | M24                        |
| 34722.W0723 | 100            | 10.5           | 250 | 70             | 53             | 20                        | M24                        |



# Levelling Feet - Bolt Down

pad plastic, bolt stainless steel

# Levelling Feet



**34742**

LEVELLING FEET

### Material

Pad: polyamide reinforced nylon.  
Bolt: stainless steel AISI 303.

### Technical Notes

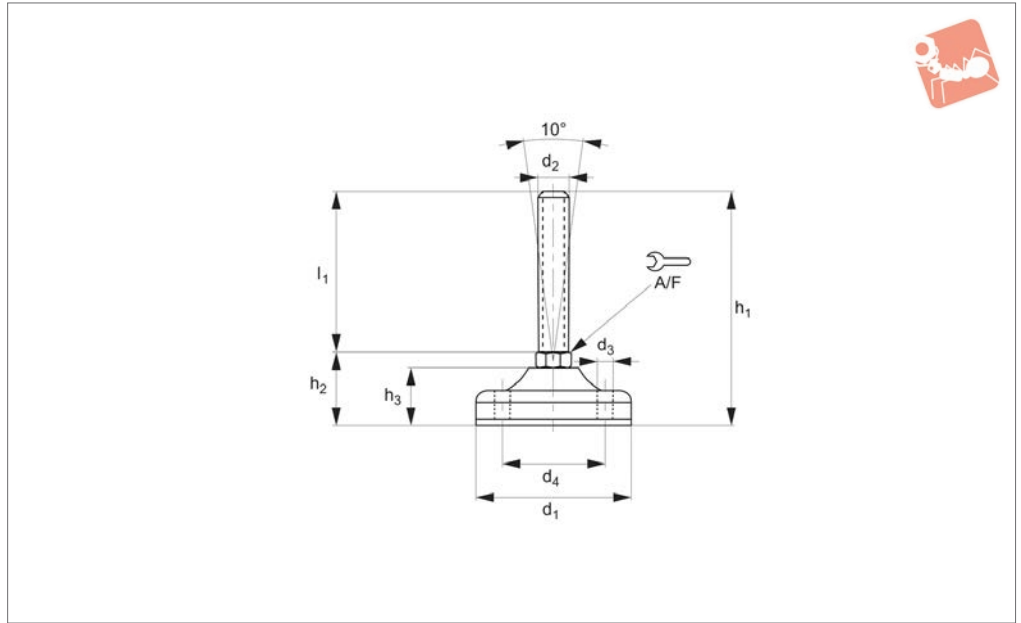
Supplied with plastic mounting hole plugs, these prevent material and waste entering

the mounting holes, thus simplifying cleaning and maintenance.

| Order No.   | d <sub>1</sub> | d <sub>2</sub> | d <sub>3</sub> | l   | c <sub>1</sub> | h <sub>1</sub> | Static load<br>kN<br>max. |
|-------------|----------------|----------------|----------------|-----|----------------|----------------|---------------------------|
| 34742.W0620 | M12            | 100            | 10.5           | 75  | 70             | 42             | 10                        |
| 34742.W0621 | M12            | 100            | 10.5           | 125 | 70             | 42             | 10                        |
| 34742.W0660 | M16            | 100            | 10.5           | 75  | 70             | 45             | 20                        |
| 34742.W0662 | M16            | 100            | 10.5           | 150 | 70             | 45             | 20                        |
| 34742.W0663 | M16            | 100            | 10.5           | 200 | 70             | 45             | 20                        |
| 34742.W0700 | M20            | 100            | 10.5           | 125 | 70             | 49             | 20                        |
| 34742.W0701 | M20            | 100            | 10.5           | 150 | 70             | 49             | 20                        |
| 34742.W0702 | M20            | 100            | 10.5           | 200 | 70             | 49             | 20                        |
| 34742.W0720 | M24            | 100            | 10.5           | 125 | 70             | 53             | 20                        |
| 34742.W0721 | M24            | 100            | 10.5           | 150 | 70             | 53             | 20                        |
| 34742.W0722 | M24            | 100            | 10.5           | 200 | 70             | 53             | 20                        |



**34753**



**Material**

Black plastic base (reinforced with fibre glass), with steel (C40) stud.

**Technical Notes**

Load values refer to static loads, located at half the screw height.

| Order No.   | d <sub>1</sub> | d <sub>2</sub> | d <sub>3</sub> | d <sub>4</sub> | l   | h <sub>1</sub> | h <sub>2</sub> | h <sub>3</sub> | A/F |
|-------------|----------------|----------------|----------------|----------------|-----|----------------|----------------|----------------|-----|
| 34753.W1601 | 83             | M16            | 8.5            | 56             | 75  | 114            | 39             | 31             | 16  |
| 34753.W3006 | 123            | M30            | 12.5           | 87             | 250 | 303            | 53             | 40             | 26  |

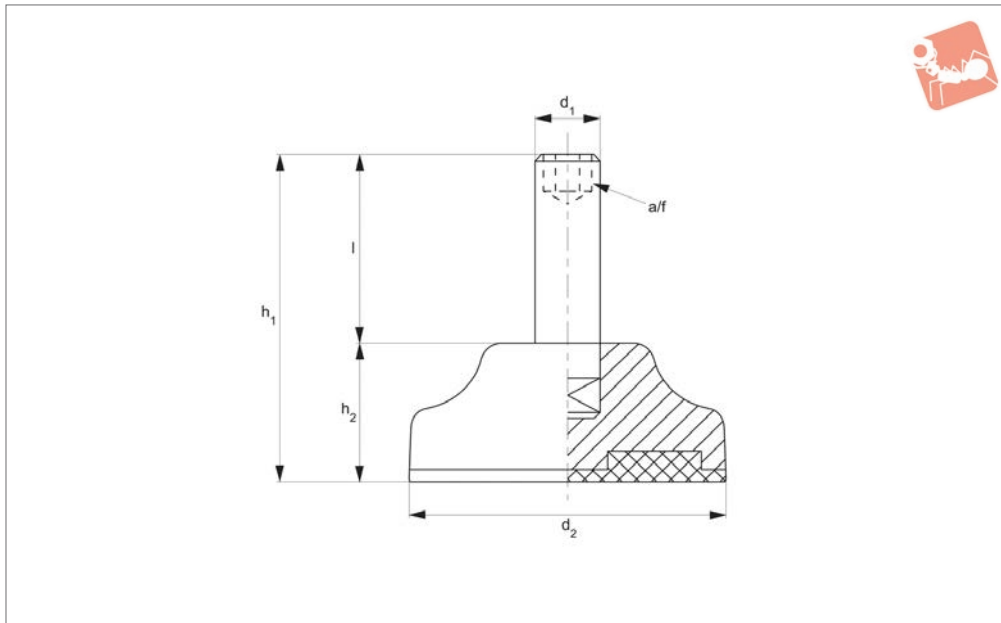


# Fixed Feet

stainless with hex socket



# Levelling Feet



**34612**

LEVELLING FEET

### Material

Pad: polyamide reinforced by fibre glass with anti-slip pad.  
Bolt: stainless steel AISI 304.

### Technical Notes

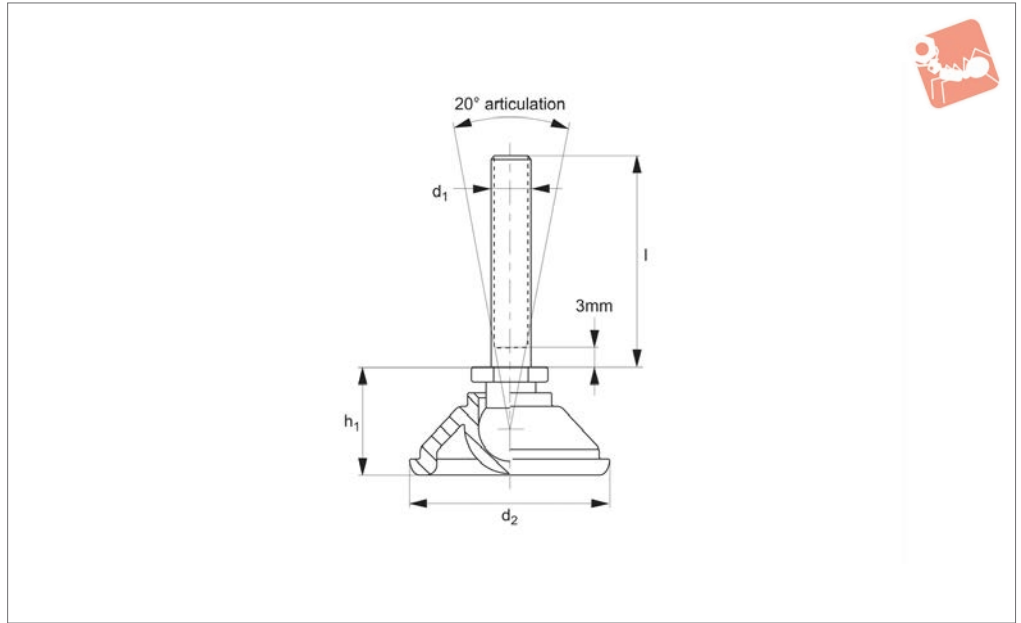
Load values refer to static loads, located at half the screw height.  
When vibrations or dynamic loads are

present these values should be reduced.

| Order No.   | d <sub>1</sub> | d <sub>2</sub> | l  | h <sub>1</sub> | h <sub>2</sub> | A/F | Load kN max. |
|-------------|----------------|----------------|----|----------------|----------------|-----|--------------|
| 34612.W0800 | M 8            | 40             | 25 | 44             | 19             | 4   | 5            |
| 34612.W0801 | M 8            | 40             | 50 | 69             | 19             | 4   | 5            |
| 34612.W0802 | M 8            | 50             | 25 | 48             | 23             | 4   | 6            |
| 34612.W0803 | M 8            | 50             | 50 | 73             | 23             | 4   | 6            |
| 34612.W1000 | M10            | 40             | 25 | 44             | 19             | 5   | 5            |
| 34612.W1001 | M10            | 40             | 50 | 69             | 19             | 5   | 5            |
| 34612.W1002 | M10            | 50             | 25 | 48             | 23             | 5   | 6            |
| 34612.W1003 | M10            | 50             | 50 | 73             | 23             | 5   | 6            |



**34741**



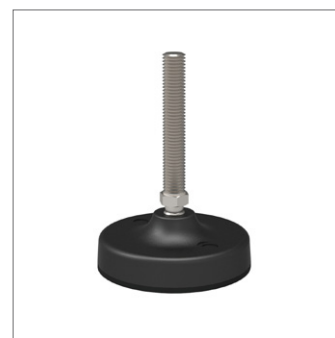
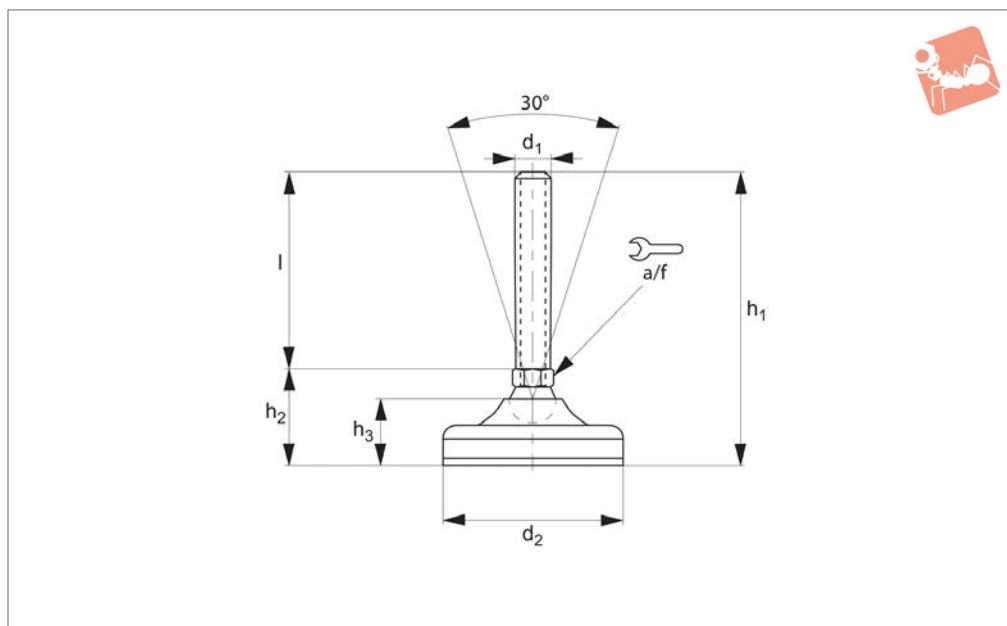
**Material**

Pad: polyamide reinforced nylon.

Bolt: stainless steel, AISI 303.

| Order No.   | d <sub>1</sub> | d <sub>2</sub> | l   | h <sub>1</sub> | Static load<br>kN<br>max. |
|-------------|----------------|----------------|-----|----------------|---------------------------|
| 34741.W0060 | M 6            | 40             | 20  | 21             | 3.0                       |
| 34741.W0061 | M 6            | 50             | 20  | 23             | 3.0                       |
| 34741.W0062 | M 6            | 40             | 40  | 21             | 3.0                       |
| 34741.W0063 | M 6            | 50             | 40  | 23             | 3.0                       |
| 34741.W0080 | M 8            | 40             | 25  | 21             | 4.5                       |
| 34741.W0081 | M 8            | 50             | 25  | 23             | 4.5                       |
| 34741.W0082 | M 8            | 40             | 40  | 21             | 4.5                       |
| 34741.W0083 | M 8            | 50             | 40  | 23             | 4.5                       |
| 34741.W0084 | M 8            | 40             | 60  | 21             | 4.5                       |
| 34741.W0085 | M 8            | 50             | 60  | 23             | 4.5                       |
| 34741.W0100 | M10            | 40             | 38  | 21             | 5.0                       |
| 34741.W0101 | M10            | 50             | 38  | 23             | 5.0                       |
| 34741.W0102 | M10            | 40             | 60  | 21             | 5.0                       |
| 34741.W0103 | M10            | 50             | 60  | 23             | 5.0                       |
| 34741.W0104 | M10            | 40             | 75  | 21             | 5.0                       |
| 34741.W0105 | M10            | 50             | 75  | 23             | 5.0                       |
| 34741.W0120 | M12            | 40             | 50  | 23             | 6.0                       |
| 34741.W0121 | M12            | 50             | 50  | 25             | 6.0                       |
| 34741.W0122 | M12            | 40             | 75  | 23             | 6.0                       |
| 34741.W0123 | M12            | 50             | 75  | 25             | 6.0                       |
| 34741.W0124 | M12            | 40             | 100 | 23             | 6.0                       |
| 34741.W0125 | M12            | 50             | 100 | 25             | 6.0                       |
| 34741.W0126 | M12            | 40             | 125 | 23             | 6.0                       |
| 34741.W0127 | M12            | 50             | 125 | 25             | 6.0                       |
| 34741.W0128 | M12            | 50             | 160 | 25             | 6.0                       |





## 34743

LEVELLING FEET

### Material

Pad: polyamide reinforced by fibre glass with anti-slip pad.

Bolt: stainless steel AISI 304.

### Technical Notes

Load values refer to static loads, located at half the screw height.

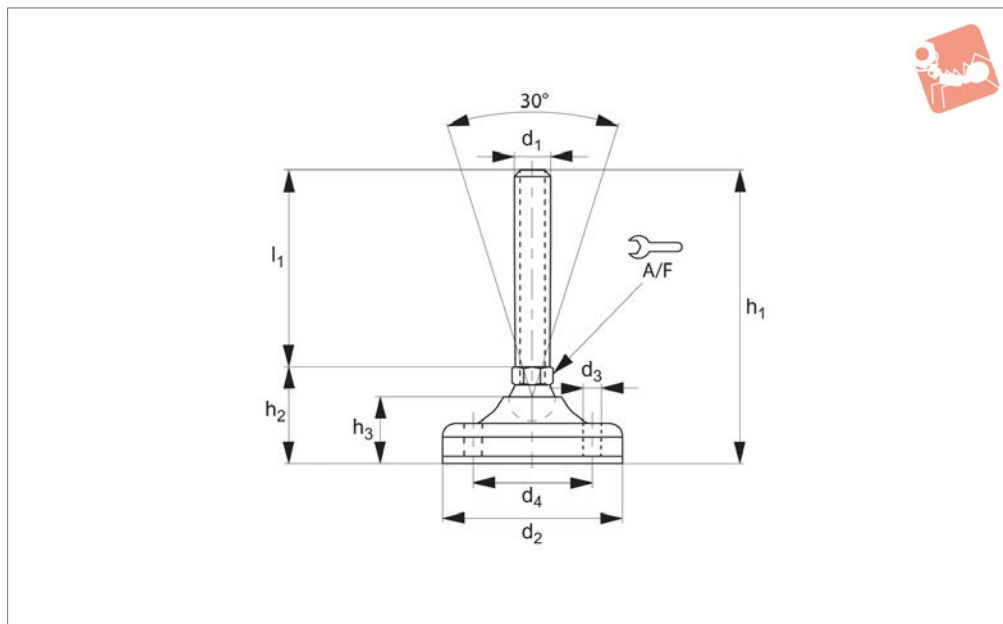
When vibrations or dynamic loads are

present these values should be reduced.

| Order No.   | d <sub>1</sub> | d <sub>2</sub> | l   | h <sub>1</sub> | h <sub>2</sub> | h <sub>3</sub> | A/F | Load kN max. |
|-------------|----------------|----------------|-----|----------------|----------------|----------------|-----|--------------|
| 34743.W0800 | M 8            | 40             | 25  | 55             | 30             | 19.5           | 12  | 10           |
| 34743.W0801 | M 8            | 40             | 50  | 80             | 30             | 19.5           | 12  | 10           |
| 34743.W0802 | M 8            | 40             | 75  | 105            | 30             | 19.5           | 12  | 10           |
| 34743.W0803 | M 8            | 40             | 100 | 130            | 30             | 19.5           | 12  | 10           |
| 34743.W1001 | M10            | 65             | 50  | 86             | 36             | 26.0           | 14  | 11           |
| 34743.W1002 | M10            | 65             | 75  | 111            | 36             | 26.0           | 14  | 11           |
| 34743.W1003 | M10            | 65             | 100 | 136            | 36             | 26.0           | 14  | 11           |
| 34743.W1004 | M10            | 65             | 125 | 161            | 36             | 26.0           | 14  | 11           |
| 34743.W1200 | M12            | 65             | 50  | 86             | 36             | 26.0           | 14  | 11           |
| 34743.W1201 | M12            | 65             | 75  | 111            | 36             | 26.0           | 14  | 11           |
| 34743.W1202 | M12            | 65             | 100 | 136            | 36             | 26.0           | 14  | 11           |
| 34743.W1203 | M12            | 65             | 125 | 161            | 36             | 26.0           | 14  | 11           |
| 34743.W1400 | M14            | 65             | 50  | 86             | 36             | 26.0           | 14  | 15           |
| 34743.W1401 | M14            | 65             | 75  | 111            | 36             | 26.0           | 14  | 15           |
| 34743.W1402 | M14            | 65             | 100 | 136            | 36             | 26.0           | 14  | 15           |
| 34743.W1403 | M14            | 65             | 125 | 161            | 36             | 26.0           | 14  | 15           |
| 34743.W1404 | M14            | 65             | 150 | 186            | 36             | 26.0           | 14  | 15           |
| 34743.W1405 | M14            | 65             | 175 | 211            | 36             | 26.0           | 14  | 15           |
| 34743.W1600 | M16            | 65             | 50  | 90             | 40             | 26.0           | 13  | 15           |
| 34743.W1601 | M16            | 65             | 75  | 115            | 40             | 26.0           | 13  | 15           |
| 34743.W1602 | M16            | 65             | 100 | 140            | 40             | 26.0           | 13  | 15           |
| 34743.W1603 | M16            | 65             | 125 | 165            | 40             | 26.0           | 13  | 15           |
| 34743.W1604 | M16            | 65             | 150 | 190            | 40             | 26.0           | 13  | 15           |
| 34743.W1605 | M16            | 65             | 175 | 215            | 40             | 26.0           | 13  | 15           |
| 34743.W1606 | M16            | 65             | 200 | 240            | 40             | 26.0           | 13  | 15           |
| 34743.W2000 | M20            | 65             | 50  | 90             | 40             | 26.0           | 17  | 15           |
| 34743.W2001 | M20            | 65             | 75  | 115            | 40             | 26.0           | 17  | 15           |
| 34743.W2002 | M20            | 65             | 100 | 140            | 40             | 26.0           | 17  | 15           |
| 34743.W2003 | M20            | 65             | 125 | 165            | 40             | 26.0           | 17  | 15           |
| 34743.W2004 | M20            | 65             | 150 | 190            | 40             | 26.0           | 17  | 15           |
| 34743.W2005 | M20            | 65             | 175 | 215            | 40             | 26.0           | 17  | 15           |
| 34743.W2006 | M20            | 65             | 200 | 240            | 40             | 26.0           | 17  | 15           |



## 34744



### Material

Pad: polyamide reinforced by fibre glass with anti-slip pad.

Bolt: stainless steel AISI 304.

### Technical Notes

Load values refer to static loads, located at half the screw height.

When vibrations or dynamic loads are

present these values should be reduced.

Larger pad size allows for bolt down holes to be drilled through.

| Order No.   | d <sub>1</sub> | l <sub>1</sub> | d <sub>2</sub> | d <sub>3</sub> | d <sub>4</sub> | h <sub>1</sub> | h <sub>2</sub> | h <sub>3</sub> | A/F | Load kN max. |
|-------------|----------------|----------------|----------------|----------------|----------------|----------------|----------------|----------------|-----|--------------|
| 34744.W1000 | M10            | 50             | 83             | 8.5            | 55             | 91             | 38             | 27             | 14  | 15           |
| 34744.W1001 | M10            | 75             | 83             | 8.5            | 55             | 116            | 38             | 27             | 14  | 15           |
| 34744.W1002 | M10            | 100            | 83             | 8.5            | 55             | 141            | 38             | 27             | 14  | 15           |
| 34744.W1003 | M10            | 125            | 83             | 8.5            | 55             | 166            | 38             | 27             | 14  | 15           |
| 34744.W1200 | M12            | 50             | 83             | 8.5            | 55             | 91             | 38             | 27             | 14  | 15           |
| 34744.W1201 | M12            | 75             | 83             | 8.5            | 55             | 116            | 38             | 27             | 14  | 15           |
| 34744.W1202 | M12            | 100            | 83             | 8.5            | 55             | 141            | 38             | 27             | 14  | 15           |
| 34744.W1203 | M12            | 125            | 83             | 8.5            | 55             | 166            | 38             | 27             | 14  | 15           |
| 34744.W1400 | M14            | 50             | 83             | 8.5            | 55             | 91             | 38             | 27             | 14  | 20           |
| 34744.W1401 | M14            | 75             | 83             | 8.5            | 55             | 116            | 38             | 27             | 14  | 20           |
| 34744.W1402 | M14            | 100            | 83             | 8.5            | 55             | 141            | 38             | 27             | 14  | 20           |
| 34744.W1403 | M14            | 125            | 83             | 8.5            | 55             | 166            | 38             | 27             | 14  | 20           |
| 34744.W1404 | M14            | 150            | 83             | 8.5            | 55             | 191            | 38             | 27             | 14  | 20           |
| 34744.W1405 | M14            | 175            | 83             | 8.5            | 55             | 216            | 38             | 27             | 14  | 20           |
| 34744.W1600 | M16            | 50             | 83             | 8.5            | 55             | 94             | 41             | 27             | 13  | 20           |
| 34744.W1601 | M16            | 75             | 83             | 8.5            | 55             | 119            | 41             | 27             | 13  | 20           |
| 34744.W1602 | M16            | 100            | 83             | 8.5            | 55             | 144            | 41             | 27             | 13  | 20           |
| 34744.W1603 | M16            | 125            | 83             | 8.5            | 55             | 169            | 41             | 27             | 13  | 20           |
| 34744.W1604 | M16            | 150            | 83             | 8.5            | 55             | 194            | 41             | 27             | 13  | 20           |
| 34744.W1605 | M16            | 175            | 83             | 8.5            | 55             | 219            | 41             | 27             | 13  | 20           |
| 34744.W1606 | M16            | 200            | 83             | 8.5            | 55             | 244            | 41             | 27             | 13  | 20           |
| 34744.W1607 | M16            | 50             | 103            | 12.5           | 73             | 104            | 51             | 32             | 20  | 25           |
| 34744.W1608 | M16            | 75             | 103            | 12.5           | 73             | 129            | 51             | 32             | 20  | 25           |
| 34744.W1609 | M16            | 100            | 103            | 12.5           | 73             | 154            | 51             | 32             | 20  | 25           |
| 34744.W1610 | M16            | 125            | 103            | 12.5           | 73             | 179            | 51             | 32             | 20  | 25           |
| 34744.W1611 | M16            | 150            | 103            | 12.5           | 73             | 204            | 51             | 32             | 20  | 25           |
| 34744.W1612 | M16            | 175            | 103            | 12.5           | 73             | 229            | 51             | 32             | 20  | 25           |
| 34744.W1613 | M16            | 200            | 103            | 12.5           | 73             | 254            | 51             | 32             | 20  | 25           |
| 34744.W1614 | M16            | 225            | 103            | 12.5           | 73             | 279            | 51             | 32             | 20  | 25           |
| 34744.W2000 | M20            | 75             | 83             | 8.5            | 55             | 119            | 41             | 27             | 17  | 20           |
| 34744.W2001 | M20            | 100            | 83             | 8.5            | 55             | 144            | 41             | 27             | 17  | 20           |
| 34744.W2002 | M20            | 125            | 83             | 8.5            | 55             | 169            | 41             | 27             | 17  | 20           |
| 34744.W2003 | M20            | 150            | 83             | 8.5            | 55             | 194            | 41             | 27             | 17  | 20           |



# Levelling Feet

bolt down option, bolt **stainless steel**



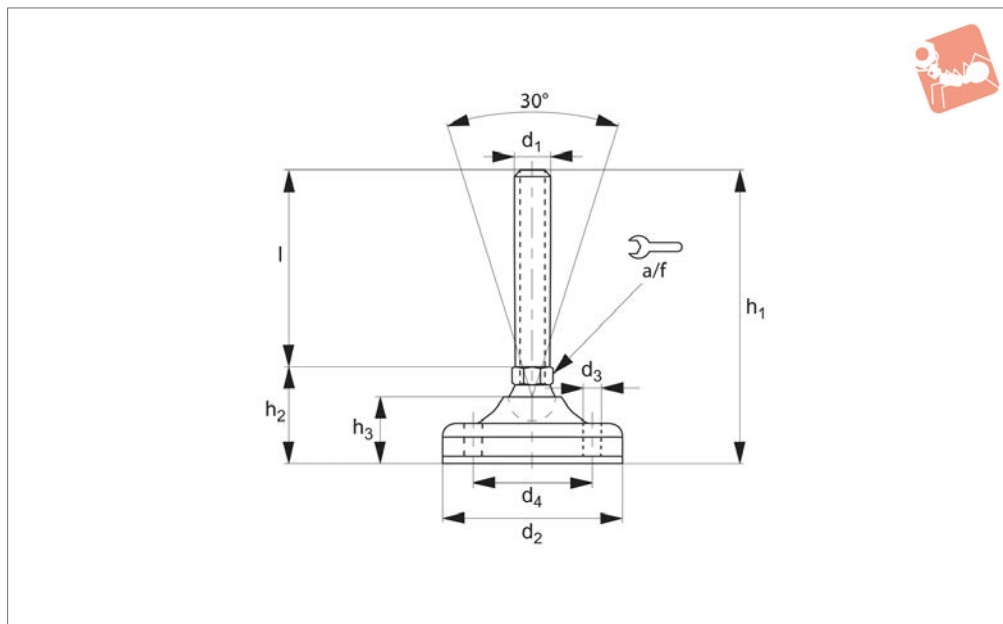
# Levelling Feet

| Order No.   | d <sub>1</sub> | l <sub>1</sub> | d <sub>2</sub> | d <sub>3</sub> | d <sub>4</sub> | h <sub>1</sub> | h <sub>2</sub> | h <sub>3</sub> | A/F | Load<br>kN<br>max. |
|-------------|----------------|----------------|----------------|----------------|----------------|----------------|----------------|----------------|-----|--------------------|
| 34744.W2004 | M20            | 175            | 83             | 8.5            | 55             | 219            | 41             | 27             | 17  | 20                 |
| 34744.W2005 | M20            | 200            | 83             | 8.5            | 55             | 244            | 41             | 27             | 17  | 20                 |
| 34744.W2006 | M20            | 225            | 83             | 8.5            | 55             | 269            | 41             | 27             | 17  | 20                 |
| 34744.W2007 | M20            | 75             | 103            | 12.5           | 73             | 129            | 51             | 32             | 20  | 25                 |
| 34744.W2008 | M20            | 100            | 103            | 12.5           | 73             | 154            | 51             | 32             | 20  | 25                 |
| 34744.W2009 | M20            | 125            | 103            | 12.5           | 73             | 179            | 51             | 32             | 20  | 25                 |
| 34744.W2010 | M20            | 150            | 103            | 12.5           | 73             | 204            | 51             | 32             | 20  | 25                 |
| 34744.W2011 | M20            | 175            | 103            | 12.5           | 73             | 229            | 51             | 32             | 20  | 25                 |
| 34744.W2012 | M20            | 200            | 103            | 12.5           | 73             | 254            | 51             | 32             | 20  | 25                 |
| 34744.W2013 | M20            | 225            | 103            | 12.5           | 73             | 279            | 51             | 32             | 20  | 25                 |
| 34744.W2014 | M20            | 250            | 103            | 12.5           | 73             | 304            | 51             | 32             | 20  | 25                 |
| 34744.W2400 | M24            | 75             | 103            | 12.5           | 73             | 129            | 51             | 32             | 20  | 25                 |
| 34744.W2401 | M24            | 100            | 103            | 12.5           | 73             | 154            | 51             | 32             | 20  | 25                 |
| 34744.W2402 | M24            | 125            | 103            | 12.5           | 73             | 179            | 51             | 32             | 20  | 25                 |
| 34744.W2403 | M24            | 150            | 103            | 12.5           | 73             | 204            | 51             | 32             | 20  | 25                 |
| 34744.W2404 | M24            | 175            | 103            | 12.5           | 73             | 229            | 51             | 32             | 20  | 25                 |
| 34744.W2405 | M24            | 200            | 103            | 12.5           | 73             | 280            | 51             | 32             | 20  | 25                 |
| 34744.W2406 | M24            | 250            | 103            | 12.5           | 73             | 302            | 51             | 32             | 20  | 25                 |
| 34744.W2407 | M24            | 250            | 103            | 12.5           | 73             | 305            | 51             | 32             | 20  | 25                 |

LEVELLING FEET



## 34746



### Material

Pad: polyamide reinforced by fibre glass with anti-slip pad.

Bolt: stainless steel AISI 304.

### Technical Notes

Load values refer to static loads, located at half the screw height.

When vibrations or dynamic loads are

present these values should be reduced.

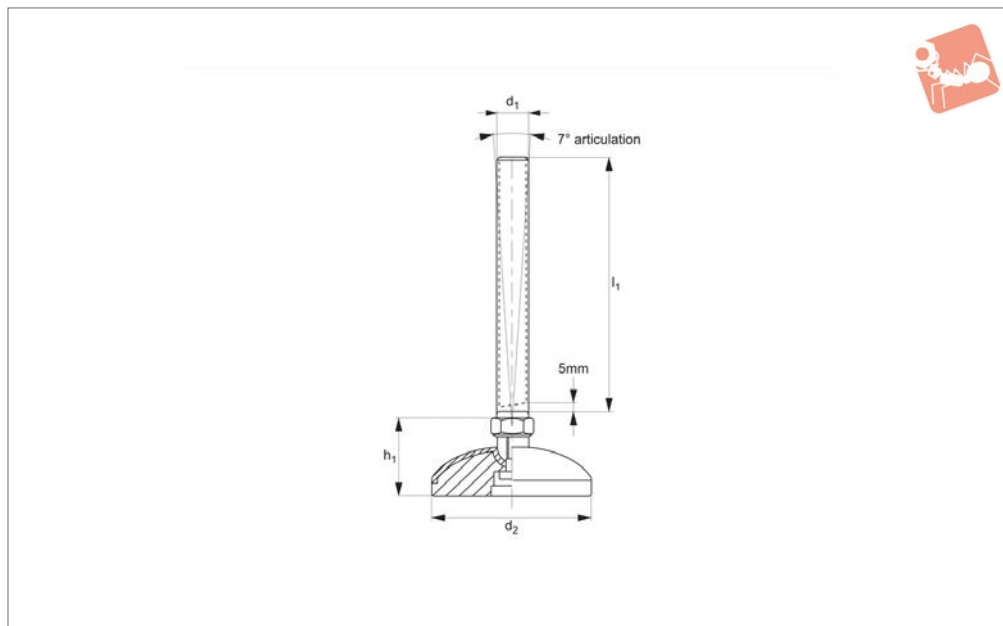
Larger pad size allows for bolt down holes to be drilled through.

| Order No.   | d <sub>1</sub> | d <sub>2</sub> | l   | d <sub>3</sub> | d <sub>4</sub> | h <sub>1</sub> | h <sub>2</sub> | h <sub>3</sub> | A/F | Load kN max. |
|-------------|----------------|----------------|-----|----------------|----------------|----------------|----------------|----------------|-----|--------------|
| 34746.W1600 | M16            | 123            | 50  | 12.5           | 87             | 110            | 60             | 40             | 20  | 35           |
| 34746.W1601 | M16            | 123            | 75  | 12.5           | 87             | 135            | 60             | 40             | 20  | 35           |
| 34746.W1602 | M16            | 123            | 100 | 12.5           | 87             | 160            | 60             | 40             | 20  | 35           |
| 34746.W1603 | M16            | 123            | 125 | 12.5           | 87             | 185            | 60             | 40             | 20  | 35           |
| 34746.W1604 | M16            | 123            | 150 | 12.5           | 87             | 210            | 60             | 40             | 20  | 35           |
| 34746.W1605 | M16            | 123            | 175 | 12.5           | 87             | 235            | 60             | 40             | 20  | 35           |
| 34746.W1606 | M16            | 123            | 200 | 12.5           | 87             | 260            | 60             | 40             | 20  | 35           |
| 34746.W1607 | M16            | 123            | 225 | 12.5           | 87             | 285            | 60             | 40             | 20  | 35           |
| 34746.W2000 | M20            | 123            | 75  | 12.5           | 87             | 135            | 60             | 40             | 20  | 35           |
| 34746.W2001 | M20            | 123            | 100 | 12.5           | 87             | 160            | 60             | 40             | 20  | 35           |
| 34746.W2002 | M20            | 123            | 125 | 12.5           | 87             | 185            | 60             | 40             | 20  | 35           |
| 34746.W2003 | M20            | 123            | 150 | 12.5           | 87             | 210            | 60             | 40             | 20  | 35           |
| 34746.W2004 | M20            | 123            | 175 | 12.5           | 87             | 235            | 60             | 40             | 20  | 35           |
| 34746.W2005 | M20            | 123            | 200 | 12.5           | 87             | 260            | 60             | 40             | 20  | 35           |
| 34746.W2006 | M20            | 123            | 225 | 12.5           | 87             | 285            | 60             | 40             | 20  | 35           |
| 34746.W2007 | M20            | 123            | 250 | 12.5           | 87             | 310            | 60             | 40             | 20  | 35           |
| 34746.W2400 | M24            | 123            | 75  | 12.5           | 87             | 135            | 60             | 40             | 20  | 35           |
| 34746.W2401 | M24            | 123            | 100 | 12.5           | 87             | 160            | 60             | 40             | 20  | 35           |
| 34746.W2402 | M24            | 123            | 125 | 12.5           | 87             | 185            | 60             | 40             | 20  | 35           |
| 34746.W2403 | M24            | 123            | 150 | 12.5           | 87             | 210            | 60             | 40             | 20  | 35           |
| 34746.W2404 | M24            | 123            | 175 | 12.5           | 87             | 235            | 60             | 40             | 20  | 35           |
| 34746.W2405 | M24            | 123            | 200 | 12.5           | 87             | 260            | 60             | 40             | 20  | 35           |
| 34746.W2406 | M24            | 123            | 225 | 12.5           | 87             | 285            | 60             | 40             | 20  | 35           |
| 34746.W2407 | M24            | 123            | 250 | 12.5           | 87             | 310            | 60             | 40             | 20  | 35           |
| 34746.W3000 | M30            | 123            | 100 | 12.5           | 87             | 161            | 61             | 40             | 26  | 35           |
| 34746.W3001 | M30            | 123            | 125 | 12.5           | 87             | 186            | 61             | 40             | 26  | 35           |
| 34746.W3002 | M30            | 123            | 150 | 12.5           | 87             | 211            | 61             | 40             | 26  | 35           |
| 34746.W3003 | M30            | 123            | 175 | 12.5           | 87             | 236            | 61             | 40             | 26  | 35           |
| 34746.W3004 | M30            | 123            | 200 | 12.5           | 87             | 261            | 61             | 40             | 26  | 35           |
| 34746.W3005 | M30            | 123            | 225 | 12.5           | 87             | 286            | 61             | 40             | 26  | 35           |
| 34746.W3006 | M30            | 123            | 250 | 12.5           | 87             | 311            | 61             | 40             | 26  | 35           |



# Machine Mount - Vibration Damp- pad and bolt - stainless steel

## Levelling Feet



**34751**

LEVELLING FEET

### Material

Pad: pressed stainless steel AISI 303.

Bolt: stainless steel AISI 303.

Pad insert: nitril rubber.

part ref 65686.

### Tips

For use in wide range of industries including food processing, medical equipment, electronics and machinery workshops.

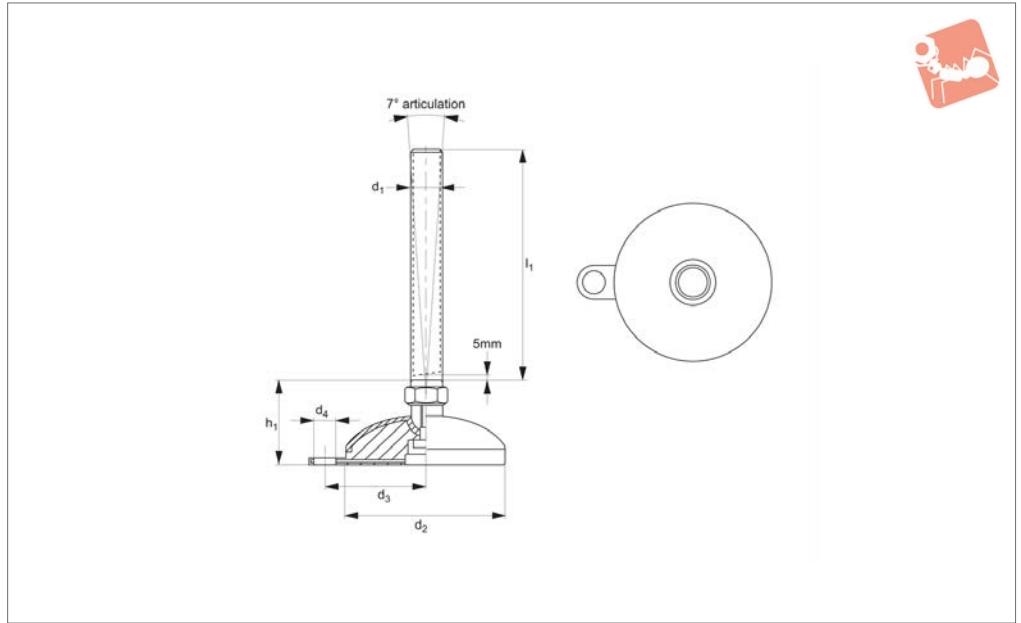
### Technical Notes

Lock nuts available separately. Please see

| Order No.   | d <sub>1</sub> | l <sub>1</sub> | d <sub>2</sub> | h <sub>1</sub> | Static load<br>kN<br>max. |
|-------------|----------------|----------------|----------------|----------------|---------------------------|
| 34751.W0100 | M10            | 50             | 50             | 25             | 3.5                       |
| 34751.W0101 | M10            | 100            | 50             | 25             | 3.5                       |
| 34751.W0120 | M12            | 100            | 50             | 25             | 3.5                       |
| 34751.W0121 | M12            | 150            | 50             | 25             | 3.5                       |
| 34751.W0160 | M16            | 100            | 50             | 28             | 3.5                       |
| 34751.W0161 | M16            | 150            | 50             | 28             | 3.5                       |
| 34751.W0162 | M16            | 100            | 75             | 33             | 7.5                       |
| 34751.W0163 | M16            | 150            | 75             | 33             | 7.5                       |
| 34751.W0164 | M16            | 200            | 75             | 33             | 7.5                       |
| 34751.W0165 | M16            | 100            | 100            | 38             | 10.0                      |
| 34751.W0166 | M16            | 150            | 100            | 38             | 10.0                      |
| 34751.W0167 | M16            | 200            | 100            | 38             | 10.0                      |
| 34751.W0200 | M20            | 150            | 75             | 35             | 7.5                       |
| 34751.W0201 | M20            | 200            | 75             | 35             | 7.5                       |
| 34751.W0202 | M20            | 150            | 100            | 41             | 10.0                      |
| 34751.W0203 | M20            | 200            | 100            | 41             | 10.0                      |
| 34751.W0240 | M24            | 150            | 100            | 43             | 10.0                      |
| 34751.W0241 | M24            | 250            | 100            | 43             | 10.0                      |



## 34752



### Material

Pad: pressed stainless steel AISI 303.  
Bolt: stainless steel AISI 303.  
Pad insert: nitril rubber.

### Technical Notes

Use of the bolt down tag allows the

machine mount to be fixed in place.

### Tips

For use in wide range of industries including food processing, medical equipment, electronics and machinery workshops.

| Order No.   | $d_1$ | $l_1$ | $d_2$ | $d_3$ | $d_4$ | $h_1$ | Static load<br>kN<br>max. |
|-------------|-------|-------|-------|-------|-------|-------|---------------------------|
| 34752.W0662 | M16   | 100   | 75    | 52    | 13    | 33    | 7.5                       |
| 34752.W0663 | M16   | 150   | 75    | 52    | 13    | 33    | 7.5                       |
| 34752.W0664 | M16   | 200   | 75    | 52    | 13    | 33    | 7.5                       |
| 34752.W0665 | M16   | 100   | 100   | 67    | 13    | 38    | 10.0                      |
| 34752.W0666 | M16   | 150   | 100   | 67    | 13    | 38    | 10.0                      |
| 34752.W0667 | M16   | 200   | 100   | 67    | 13    | 38    | 10.0                      |
| 34752.W0700 | M20   | 150   | 75    | 52    | 13    | 33    | 7.5                       |
| 34752.W0701 | M20   | 200   | 75    | 52    | 13    | 33    | 7.5                       |
| 34752.W0702 | M20   | 150   | 100   | 67    | 13    | 41    | 10.0                      |
| 34752.W0703 | M20   | 200   | 100   | 67    | 13    | 41    | 10.0                      |
| 34752.W0740 | M24   | 150   | 100   | 67    | 13    | 43    | 10.0                      |
| 34752.W0741 | M24   | 200   | 100   | 67    | 13    | 43    | 10.0                      |

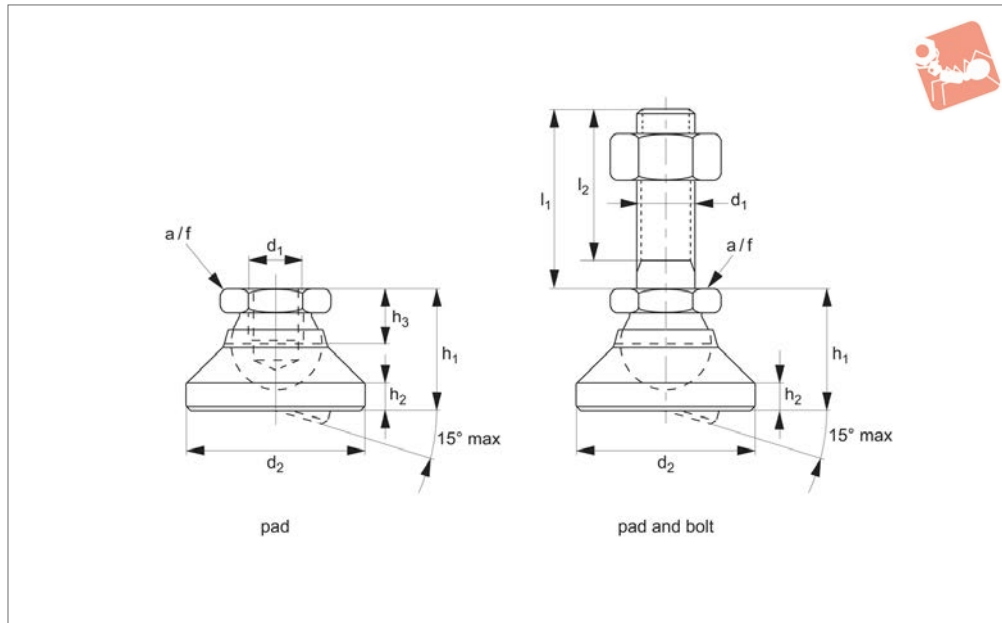


# Levelling Feet

pad thermoplastic, bolt stainless steel



# Levelling Feet



**34760**

LEVELLING FEET

### Material

Pad: white thermoplastic (POM).

Bolt: stainless steel 1.4305 (AISI 303).

Lock nut: Stainless steel A2, DIN 934/ISO 4032.

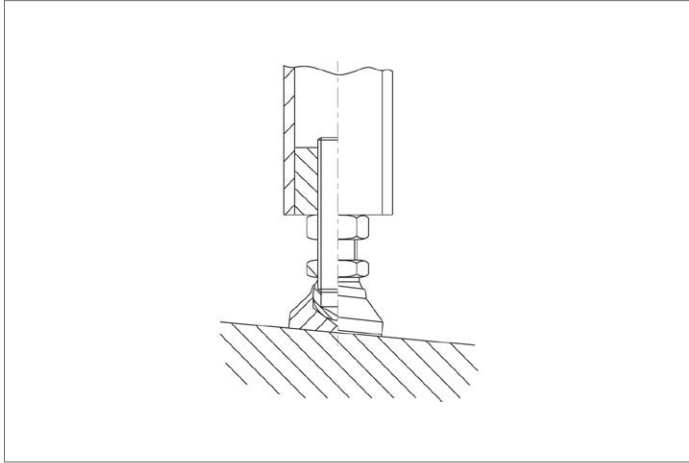
### Technical Notes

For use as feet and thrust pads.

| Order No.          | Type         | d <sub>1</sub> | l <sub>1</sub> | d <sub>2</sub> | l <sub>2</sub> | h <sub>1</sub><br>≈ | h <sub>2</sub> | h <sub>3</sub> | Static load<br>kN<br>max. | A/F | Weight<br>g |
|--------------------|--------------|----------------|----------------|----------------|----------------|---------------------|----------------|----------------|---------------------------|-----|-------------|
| <b>34760.W0106</b> | Pad          | M 6            | -              | 20             | -              | 14                  | 2.5            | 5.0            | 4                         | 10  | 6           |
| <b>34760.W0108</b> | Pad          | M 8            | -              | 25             | -              | 18                  | 4.0            | 7.0            | 7                         | 13  | 13          |
| <b>34760.W0110</b> | Pad          | M10            | -              | 32             | -              | 22                  | 5.0            | 9.0            | 10                        | 17  | 26          |
| <b>34760.W0112</b> | Pad          | M12            | -              | 40             | -              | 26                  | 6.0            | 11.0           | 18                        | 19  | 40          |
| <b>34760.W0116</b> | Pad          | M16            | -              | 50             | -              | 32                  | 7.0            | 13.5           | 20                        | 24  | 75          |
| <b>34760.W0120</b> | Pad          | M20            | -              | 60             | -              | 42                  | 8.0            | 17.0           | 22                        | 30  | 120         |
| <b>34760.W0124</b> | Pad          | M24            | -              | 60             | -              | 45                  | 9.5            | 19.0           | 25                        | 36  | 184         |
| <b>34760.W0510</b> | Pad and Bolt | M 6            | 60             | 20             | 57.0           | 14                  | 2.5            | -              | 4                         | 10  | 20          |
| <b>34760.W0522</b> | Pad and Bolt | M 8            | 80             | 25             | 76.0           | 18                  | 4.0            | -              | 7                         | 13  | 46          |
| <b>34760.W0538</b> | Pad and Bolt | M10            | 100            | 32             | 95.5           | 22                  | 5.0            | -              | 10                        | 17  | 92          |
| <b>34760.W0542</b> | Pad and Bolt | M10            | 150            | 32             | 145.5          | 22                  | 5.0            | -              | 10                        | 17  | 118         |
| <b>34760.W0552</b> | Pad and Bolt | M12            | 100            | 40             | 94.5           | 26                  | 6.0            | -              | 18                        | 19  | 139         |
| <b>34760.W0556</b> | Pad and Bolt | M12            | 150            | 40             | 144.5          | 26                  | 6.0            | -              | 18                        | 19  | 173         |
| <b>34760.W0568</b> | Pad and Bolt | M16            | 100            | 50             | 94.0           | 32                  | 7.0            | -              | 20                        | 24  | 264         |
| <b>34760.W0572</b> | Pad and Bolt | M16            | 200            | 50             | 194.0          | 32                  | 7.0            | -              | 20                        | 24  | 393         |
| <b>34760.W0582</b> | Pad and Bolt | M20            | 100            | 60             | 92.5           | 42                  | 8.0            | -              | 22                        | 30  | 463         |
| <b>34760.W0588</b> | Pad and Bolt | M20            | 200            | 60             | 192.5          | 42                  | 8.0            | -              | 22                        | 30  | 664         |
| <b>34760.W0595</b> | Pad and Bolt | M24            | 100            | 60             | 91.0           | 45                  | 9.5            | -              | 25                        | 36  | 662         |
| <b>34760.W0598</b> | Pad and Bolt | M24            | 200            | 60             | 191.0          | 45                  | 9.5            | -              | 25                        | 36  | 960         |



LEVELLING FEET





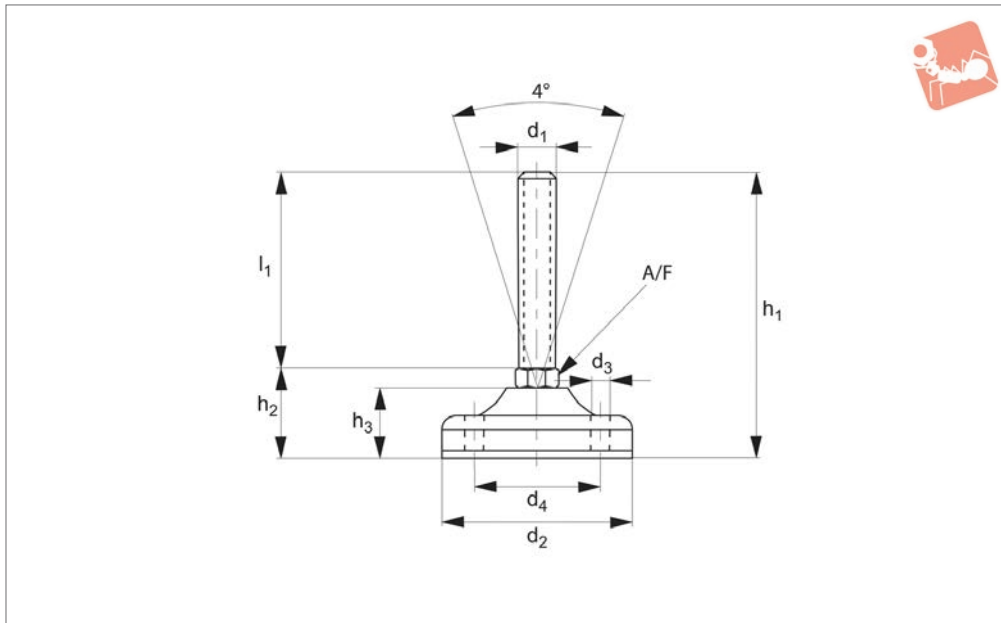


# Machine Mount

plastic pad, bolt black polyamide bolt down option



# Levelling Feet



**34754**

LEVELLING FEET

### Material

Pad: black polyamide.  
Bolt: stainless steel AISI 303.

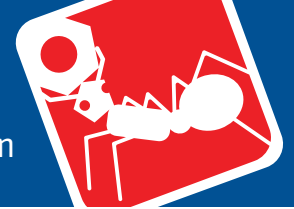
Pad insert: nitril rubber.

half the screw height.

### Technical Notes

Load values refer to static loads, located at

| Order No.   | d <sub>1</sub> | l <sub>1</sub> | d <sub>2</sub> | d <sub>3</sub> | d <sub>4</sub> | h <sub>1</sub> | h <sub>2</sub> | h <sub>3</sub> | A/F | Load kN max. |
|-------------|----------------|----------------|----------------|----------------|----------------|----------------|----------------|----------------|-----|--------------|
| 34754.W1000 | M10            | 50             | 83             | 8.5            | 56             | 89             | 39             | 31             | 14  | 15           |
| 34754.W1001 | M10            | 75             | 83             | 8.5            | 56             | 114            | 39             | 31             | 14  | 15           |
| 34754.W1002 | M10            | 100            | 83             | 8.5            | 56             | 139            | 39             | 31             | 14  | 15           |
| 34754.W1003 | M10            | 125            | 83             | 8.5            | 56             | 164            | 39             | 31             | 14  | 15           |
| 34754.W1200 | M12            | 50             | 83             | 8.5            | 56             | 89             | 39             | 31             | 14  | 15           |
| 34754.W1201 | M12            | 75             | 83             | 8.5            | 56             | 114            | 39             | 31             | 14  | 15           |
| 34754.W1202 | M12            | 100            | 83             | 8.5            | 56             | 139            | 39             | 31             | 14  | 15           |
| 34754.W1203 | M12            | 125            | 83             | 8.5            | 56             | 164            | 39             | 31             | 14  | 15           |
| 34754.W1400 | M14            | 50             | 83             | 8.5            | 56             | 89             | 39             | 31             | 14  | 20           |
| 34754.W1401 | M14            | 75             | 83             | 8.5            | 56             | 114            | 39             | 31             | 14  | 20           |
| 34754.W1402 | M14            | 100            | 83             | 8.5            | 56             | 139            | 39             | 31             | 14  | 20           |
| 34754.W1403 | M14            | 125            | 83             | 8.5            | 56             | 164            | 39             | 31             | 14  | 20           |
| 34754.W1404 | M14            | 150            | 83             | 8.5            | 56             | 189            | 39             | 31             | 14  | 20           |
| 34754.W1405 | M14            | 175            | 83             | 8.5            | 56             | 215            | 39             | 31             | 14  | 20           |
| 34754.W1600 | M16            | 50             | 83             | 8.5            | 56             | 93             | 43             | 31             | 13  | 20           |
| 34754.W1601 | M16            | 75             | 83             | 8.5            | 56             | 118            | 43             | 31             | 13  | 20           |
| 34754.W1602 | M16            | 100            | 83             | 8.5            | 56             | 143            | 43             | 31             | 13  | 20           |
| 34754.W1603 | M16            | 125            | 83             | 8.5            | 56             | 168            | 43             | 31             | 13  | 20           |
| 34754.W1604 | M16            | 150            | 83             | 8.5            | 56             | 193            | 43             | 31             | 13  | 20           |
| 34754.W1605 | M16            | 175            | 83             | 8.5            | 56             | 218            | 43             | 31             | 13  | 20           |
| 34754.W1606 | M16            | 200            | 83             | 8.5            | 56             | 243            | 43             | 31             | 13  | 20           |
| 34754.W1607 | M16            | 50             | 103            | 12.5           | 73             | 98             | 48             | 36             | 17  | 35           |
| 34754.W1608 | M16            | 75             | 103            | 12.5           | 73             | 123            | 48             | 36             | 17  | 35           |
| 34754.W1609 | M16            | 100            | 103            | 12.5           | 73             | 148            | 48             | 36             | 17  | 35           |
| 34754.W1610 | M16            | 125            | 103            | 12.5           | 73             | 173            | 48             | 36             | 17  | 35           |
| 34754.W1611 | M16            | 150            | 103            | 12.5           | 73             | 198            | 48             | 36             | 17  | 35           |
| 34754.W1612 | M16            | 175            | 103            | 12.5           | 73             | 223            | 48             | 36             | 17  | 35           |
| 34754.W1613 | M16            | 200            | 103            | 12.5           | 73             | 248            | 48             | 36             | 17  | 35           |
| 34754.W1614 | M16            | 225            | 103            | 12.5           | 73             | 273            | 48             | 36             | 17  | 35           |
| 34754.W1615 | M16            | 50             | 123            | 12.5           | 87             | 103            | 53             | 40             | 20  | 45           |
| 34754.W1616 | M16            | 75             | 123            | 12.5           | 87             | 128            | 53             | 40             | 20  | 45           |
| 34754.W1617 | M16            | 100            | 123            | 12.5           | 87             | 153            | 53             | 40             | 20  | 45           |
| 34754.W1618 | M16            | 125            | 123            | 12.5           | 87             | 178            | 53             | 40             | 20  | 45           |
| 34754.W1619 | M16            | 150            | 123            | 12.5           | 87             | 203            | 53             | 40             | 20  | 45           |



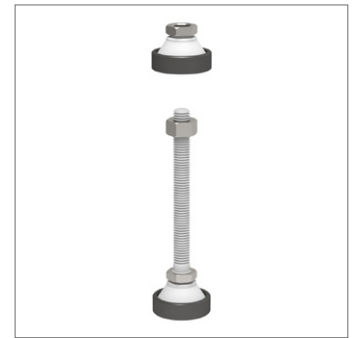
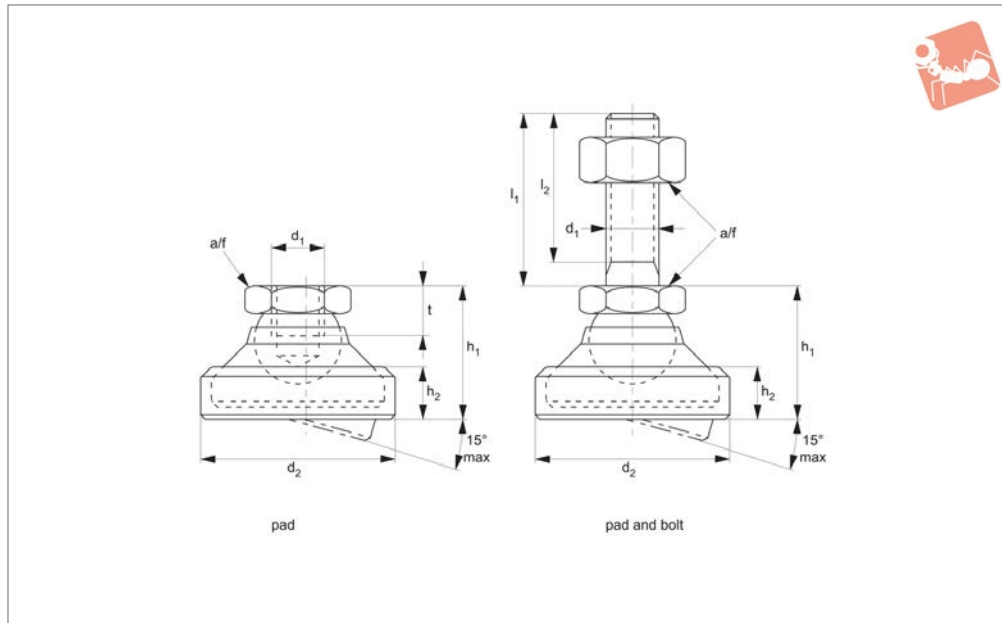
| Order No.   | d <sub>1</sub> | l <sub>1</sub> | d <sub>2</sub> | d <sub>3</sub> | d <sub>4</sub> | h <sub>1</sub> | h <sub>2</sub> | h <sub>3</sub> | A/F | Load<br>kN<br>max. |
|-------------|----------------|----------------|----------------|----------------|----------------|----------------|----------------|----------------|-----|--------------------|
| 34754.W1620 | M16            | 175            | 123            | 12.5           | 87             | 228            | 53             | 40             | 20  | 45                 |
| 34754.W1621 | M16            | 200            | 123            | 12.5           | 87             | 253            | 53             | 40             | 20  | 45                 |
| 34754.W1622 | M16            | 225            | 123            | 12.5           | 87             | 278            | 53             | 40             | 20  | 45                 |
| 34754.W2000 | M20            | 75             | 83             | 8.5            | 56             | 118            | 43             | 34             | 17  | 20                 |
| 34754.W2001 | M20            | 100            | 83             | 8.5            | 56             | 143            | 43             | 34             | 17  | 20                 |
| 34754.W2002 | M20            | 125            | 83             | 8.5            | 56             | 168            | 43             | 34             | 17  | 20                 |
| 34754.W2003 | M20            | 150            | 83             | 8.5            | 56             | 193            | 43             | 34             | 17  | 20                 |
| 34754.W2004 | M20            | 175            | 83             | 8.5            | 56             | 218            | 43             | 34             | 17  | 20                 |
| 34754.W2005 | M20            | 200            | 83             | 8.5            | 56             | 243            | 43             | 34             | 17  | 20                 |
| 34754.W2006 | M20            | 225            | 83             | 8.5            | 56             | 268            | 43             | 34             | 17  | 20                 |
| 34754.W2007 | M20            | 75             | 103            | 12.5           | 73             | 123            | 48             | 36             | 17  | 35                 |
| 34754.W2008 | M20            | 100            | 103            | 12.5           | 73             | 148            | 48             | 36             | 17  | 35                 |
| 34754.W2009 | M20            | 125            | 103            | 12.5           | 73             | 173            | 48             | 36             | 17  | 35                 |
| 34754.W2010 | M20            | 150            | 103            | 12.5           | 73             | 198            | 48             | 36             | 17  | 35                 |
| 34754.W2011 | M20            | 175            | 103            | 12.5           | 73             | 223            | 48             | 36             | 17  | 35                 |
| 34754.W2012 | M20            | 200            | 103            | 12.5           | 73             | 248            | 48             | 36             | 17  | 35                 |
| 34754.W2013 | M20            | 225            | 103            | 12.5           | 73             | 273            | 48             | 36             | 17  | 35                 |
| 34754.W2014 | M20            | 75             | 123            | 12.5           | 87             | 128            | 53             | 40             | 20  | 45                 |
| 34754.W2015 | M20            | 100            | 123            | 12.5           | 87             | 153            | 53             | 40             | 20  | 45                 |
| 34754.W2016 | M20            | 125            | 123            | 12.5           | 87             | 178            | 53             | 40             | 20  | 45                 |
| 34754.W2017 | M20            | 150            | 123            | 12.5           | 87             | 203            | 53             | 40             | 20  | 45                 |
| 34754.W2018 | M20            | 175            | 123            | 12.5           | 87             | 228            | 53             | 40             | 20  | 45                 |
| 34754.W2019 | M20            | 200            | 123            | 12.5           | 87             | 253            | 53             | 40             | 20  | 45                 |
| 34754.W2020 | M20            | 225            | 123            | 12.5           | 87             | 278            | 53             | 40             | 20  | 45                 |
| 34754.W2400 | M24            | 75             | 103            | 12.5           | 73             | 125            | 50             | 36             | 20  | 35                 |
| 34754.W2401 | M24            | 100            | 103            | 12.5           | 73             | 150            | 50             | 36             | 20  | 35                 |
| 34754.W2402 | M24            | 125            | 103            | 12.5           | 73             | 175            | 50             | 36             | 20  | 35                 |
| 34754.W2403 | M24            | 150            | 103            | 12.5           | 73             | 200            | 50             | 36             | 20  | 35                 |
| 34754.W2404 | M24            | 175            | 103            | 12.5           | 73             | 225            | 50             | 36             | 20  | 35                 |
| 34754.W2405 | M24            | 200            | 103            | 12.5           | 73             | 250            | 50             | 36             | 20  | 35                 |
| 34754.W2406 | M24            | 225            | 103            | 12.5           | 73             | 275            | 50             | 36             | 20  | 35                 |
| 34754.W2407 | M24            | 75             | 123            | 12.5           | 87             | 128            | 53             | 40             | 20  | 45                 |
| 34754.W2408 | M24            | 100            | 123            | 12.5           | 87             | 153            | 53             | 40             | 20  | 45                 |
| 34754.W2409 | M24            | 125            | 123            | 12.5           | 87             | 178            | 53             | 40             | 20  | 45                 |
| 34754.W2410 | M24            | 150            | 123            | 12.5           | 87             | 203            | 53             | 40             | 20  | 45                 |
| 34754.W2411 | M24            | 175            | 123            | 12.5           | 87             | 228            | 53             | 40             | 20  | 45                 |
| 34754.W2412 | M24            | 200            | 123            | 12.5           | 87             | 253            | 53             | 40             | 20  | 45                 |
| 34754.W2413 | M24            | 225            | 123            | 12.5           | 87             | 278            | 53             | 40             | 20  | 45                 |
| 34754.W2414 | M24            | 250            | 123            | 12.5           | 87             | 303            | 53             | 40             | 20  | 45                 |
| 34754.W3000 | M30            | 100            | 123            | 12.5           | 87             | 153            | 53             | 40             | 26  | 45                 |
| 34754.W3001 | M30            | 125            | 123            | 12.5           | 87             | 178            | 53             | 40             | 26  | 45                 |
| 34754.W3002 | M30            | 150            | 123            | 12.5           | 87             | 203            | 53             | 40             | 26  | 45                 |
| 34754.W3003 | M30            | 175            | 123            | 12.5           | 87             | 228            | 53             | 40             | 26  | 45                 |
| 34754.W3004 | M30            | 200            | 123            | 12.5           | 87             | 253            | 53             | 40             | 26  | 45                 |
| 34754.W3005 | M30            | 225            | 123            | 12.5           | 87             | 278            | 53             | 40             | 26  | 45                 |
| 34754.W3006 | M30            | 250            | 123            | 12.5           | 87             | 303            | 53             | 40             | 26  | 45                 |



# Levelling Feet - Non Slip

pad thermoplastic, bolt stainless steel

# Levelling Feet



## 34761

LEVELLING FEET

### Material

Pad: white thermoplastic (POM).  
 Bolt: stainless steel 1.4305 (AISI 303).  
 Lock nut: Stainless steel A2, DIN 934/ISO 4032.(M10, M12 only).

Cap: Black Rubber

### Tips

To be used as feet and thrust pads. Used for levelling up to 15° on surface.

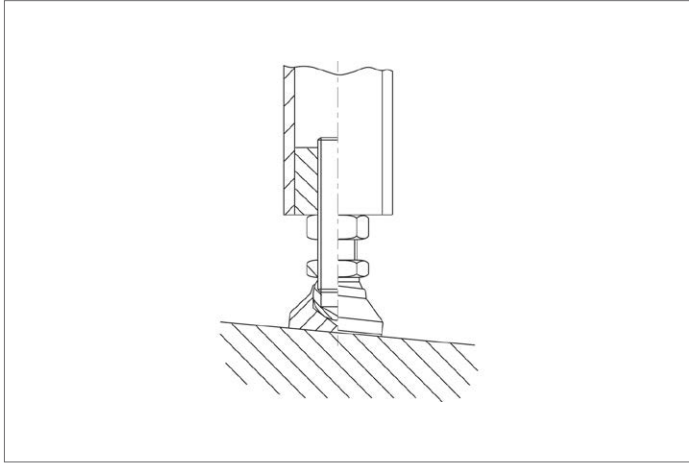
Also used:

34701 - Levelling Feet  
 34700 - Levelling Feet - steel/stainless, non slip.

| Order No.          | Type         | d <sub>1</sub> | l <sub>1</sub> | d <sub>2</sub> | l <sub>2</sub> | h <sub>1</sub><br>≈ | h <sub>2</sub> | Static load<br>kN<br>max. | t    | A/F | Weight<br>g |
|--------------------|--------------|----------------|----------------|----------------|----------------|---------------------|----------------|---------------------------|------|-----|-------------|
| <b>34761.W1106</b> | Pad          | M 6            | -              | 22.5           | -              | 16.5                | 6.4            | 4                         | 5.0  | 10  | 7           |
| <b>34761.W1108</b> | Pad          | M 8            | -              | 28.0           | -              | 20.6                | 8.3            | 7                         | 7.0  | 13  | 16          |
| <b>34761.W1110</b> | Pad          | M10            | -              | 36.0           | -              | 26.0                | 11.0           | 10                        | 9.0  | 17  | 32          |
| <b>34761.W1112</b> | Pad          | M12            | -              | 45.0           | -              | 30.5                | 13.2           | 18                        | 11.0 | 19  | 51          |
| <b>34761.W1116</b> | Pad          | M16            | -              | 56.0           | -              | 37.5                | 15.5           | 20                        | 13.5 | 24  | 96          |
| <b>34761.W1120</b> | Pad          | M20            | -              | 67.0           | -              | 49.5                | 19.5           | 22                        | 17.0 | 30  | 190         |
| <b>34761.W1124</b> | Pad          | M24            | -              | 69.0           | -              | 55.0                | 24.0           | 25                        | 19.0 | 36  | 240         |
| <b>34761.W1510</b> | Pad and Bolt | M 6            | 60             | 22.5           | 57.0           | 16.5                | 6.4            | 4                         | -    | 10  | 21          |
| <b>34761.W1522</b> | Pad and Bolt | M 8            | 80             | 28.0           | 76.0           | 20.6                | 8.3            | 7                         | -    | 13  | 49          |
| <b>34761.W1538</b> | Pad and Bolt | M10            | 100            | 36.0           | 95.5           | 26.0                | 11.0           | 10                        | -    | 17  | 98          |
| <b>34761.W1542</b> | Pad and Bolt | M10            | 150            | 36.0           | 145.5          | 26.0                | 11.0           | 10                        | -    | 17  | 124         |
| <b>34761.W1552</b> | Pad and Bolt | M12            | 100            | 45.0           | 94.5           | 30.5                | 13.2           | 18                        | -    | 19  | 150         |
| <b>34761.W1556</b> | Pad and Bolt | M12            | 150            | 45.0           | 144.5          | 30.5                | 13.2           | 18                        | -    | 19  | 184         |
| <b>34761.W1568</b> | Pad and Bolt | M16            | 100            | 56.0           | 94.0           | 37.5                | 15.5           | 20                        | -    | 24  | 285         |
| <b>34761.W1572</b> | Pad and Bolt | M16            | 200            | 56.0           | 194.0          | 37.5                | 15.5           | 20                        | -    | 24  | 414         |
| <b>34761.W1582</b> | Pad and Bolt | M20            | 100            | 67.0           | 92.5           | 49.5                | 19.5           | 22                        | -    | 30  | 503         |
| <b>34761.W1588</b> | Pad and Bolt | M20            | 200            | 67.0           | 192.5          | 49.5                | 19.5           | 22                        | -    | 30  | 704         |
| <b>34761.W1595</b> | Pad and Bolt | M24            | 100            | 69.0           | 91.0           | 55.0                | 24.0           | 25                        | -    | 36  | 718         |
| <b>34761.W1598</b> | Pad and Bolt | M24            | 200            | 69.0           | 191.0          | 55.0                | 24.0           | 25                        | -    | 36  | 1016        |



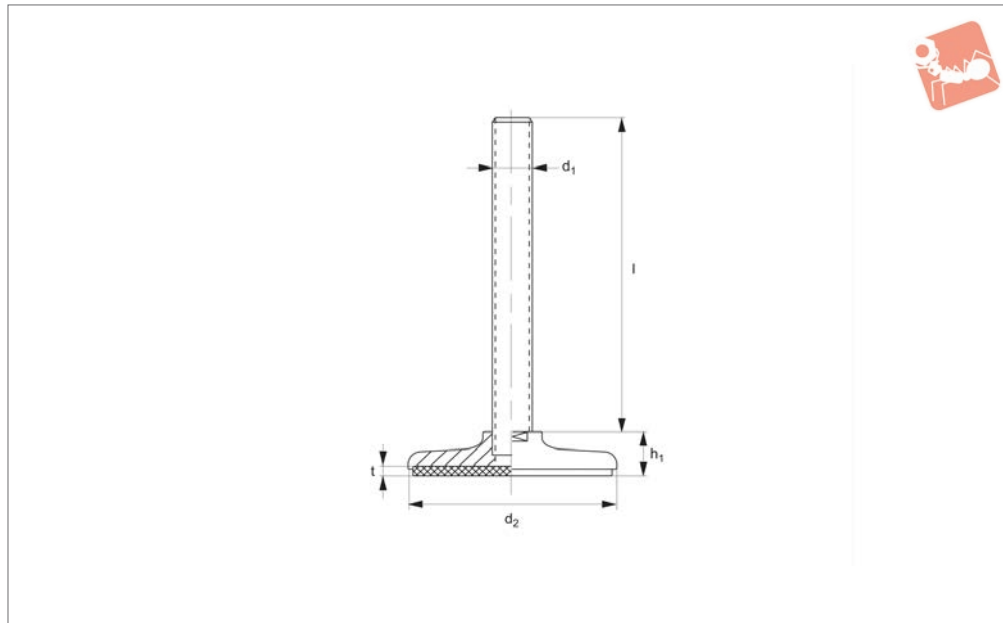
LEVELLING FEET





# Machine Feet - Low Profile pad and bolt stainless steel

## Levelling Feet



**34780**

LEVELLING FEET

### Material

Pad & bolt: AISI 304 stainless steel.  
Inset nitrile rubber pad.

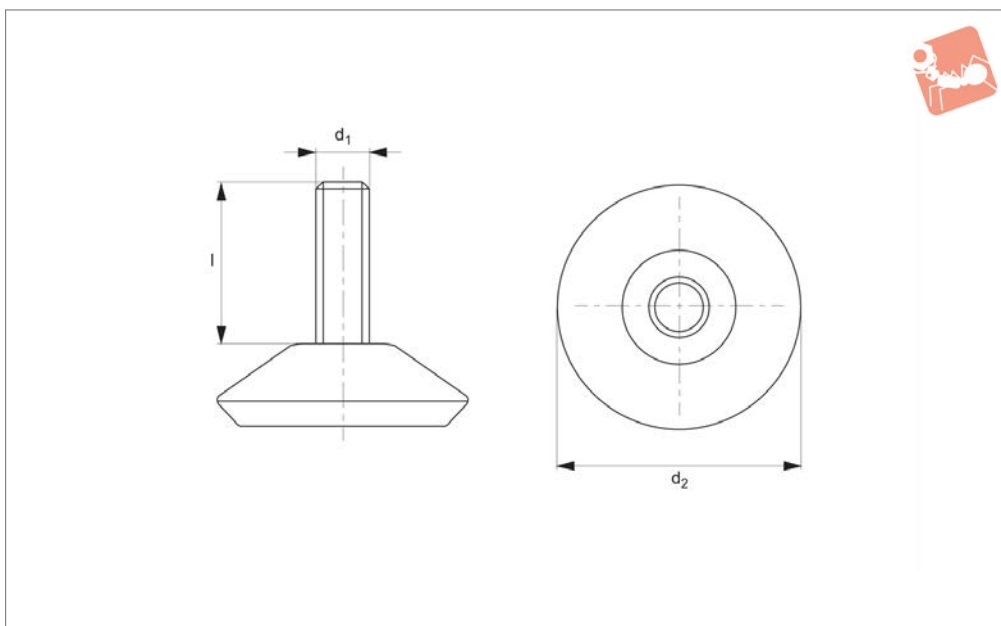
### Technical Notes

Suitable for use in food & drink, pharmaceutical and clean room environments.

| Order No.   | d <sub>1</sub> | d <sub>2</sub> | l   | h <sub>1</sub> | Static load<br>kN<br>max. | t |
|-------------|----------------|----------------|-----|----------------|---------------------------|---|
| 34780.W0082 | M 8            | 40             | 40  | 12             | 4.5                       | 3 |
| 34780.W0084 | M 8            | 40             | 60  | 12             | 4.5                       | 3 |
| 34780.W0100 | M10            | 40             | 40  | 12             | 6.0                       | 3 |
| 34780.W0102 | M10            | 40             | 60  | 12             | 6.0                       | 3 |
| 34780.W0104 | M10            | 40             | 80  | 12             | 6.0                       | 3 |
| 34780.W0086 | M 8            | 50             | 40  | 14             | 4.5                       | 3 |
| 34780.W0088 | M 8            | 50             | 60  | 14             | 4.5                       | 3 |
| 34780.W0106 | M10            | 50             | 40  | 14             | 6.0                       | 3 |
| 34780.W0108 | M10            | 50             | 60  | 14             | 6.0                       | 3 |
| 34780.W0110 | M10            | 50             | 80  | 14             | 6.0                       | 3 |
| 34780.W0120 | M12            | 50             | 50  | 15             | 7.5                       | 3 |
| 34780.W0121 | M12            | 50             | 75  | 15             | 7.5                       | 3 |
| 34780.W0123 | M12            | 50             | 100 | 15             | 7.5                       | 3 |
| 34780.W0125 | M12            | 60             | 75  | 15             | 12.5                      | 3 |
| 34780.W0126 | M12            | 60             | 125 | 15             | 12.5                      | 3 |
| 34780.W0127 | M12            | 60             | 150 | 15             | 12.5                      | 3 |
| 34780.W0128 | M12            | 80             | 150 | 21             | 15.0                      | 3 |
| 34780.W0161 | M16            | 80             | 150 | 21             | 20.0                      | 3 |
| 34780.W0162 | M16            | 120            | 150 | 24             | 20.0                      | 3 |
| 34780.W0201 | M20            | 120            | 200 | 24             | 30.0                      | 3 |
| 34780.W0202 | M20            | 150            | 200 | 26             | 30.0                      | 3 |
| 34780.W0241 | M24            | 150            | 200 | 26             | 40.0                      | 3 |



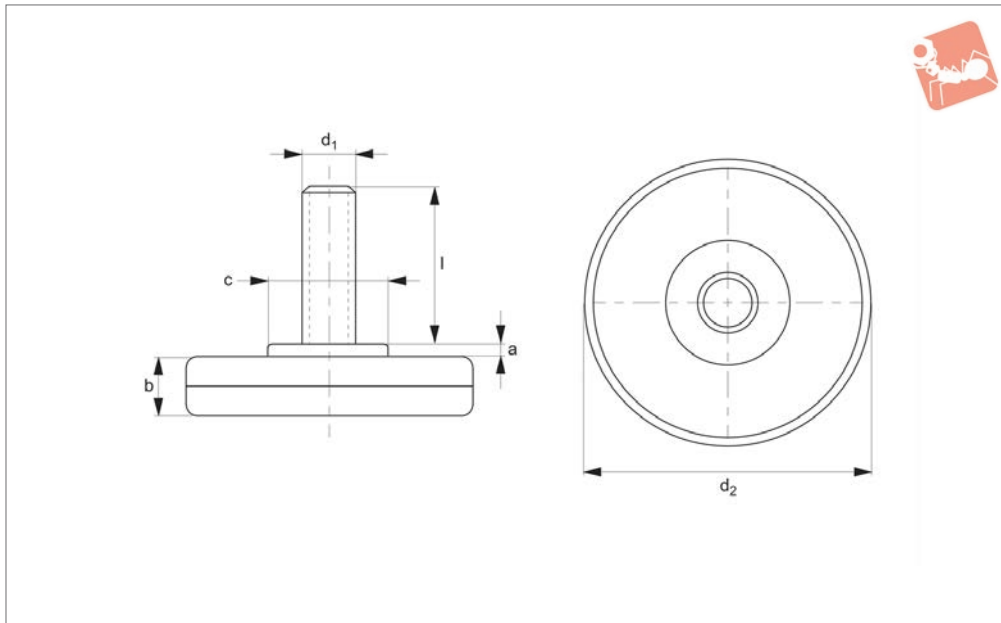
**34610**



**Material**

Thread: steel, zinc plated.  
Pad: thermoplastic, black.

| Order No.   | d <sub>1</sub> | d <sub>2</sub> | l  |
|-------------|----------------|----------------|----|
| 34610.W0030 | M 8            | 30             | 27 |
| 34610.W0032 | M 8            | 30             | 32 |
| 34610.W0041 | M 8            | 40             | 22 |
| 34610.W0042 | M 8            | 40             | 32 |
| 34610.W0044 | M10            | 40             | 27 |
| 34610.W0046 | M10            | 40             | 32 |
| 34610.W0056 | M10            | 50             | 32 |
| 34610.W0066 | M10            | 60             | 32 |
| 34610.W0067 | M10            | 60             | 45 |



34620

LEVELLING FEET

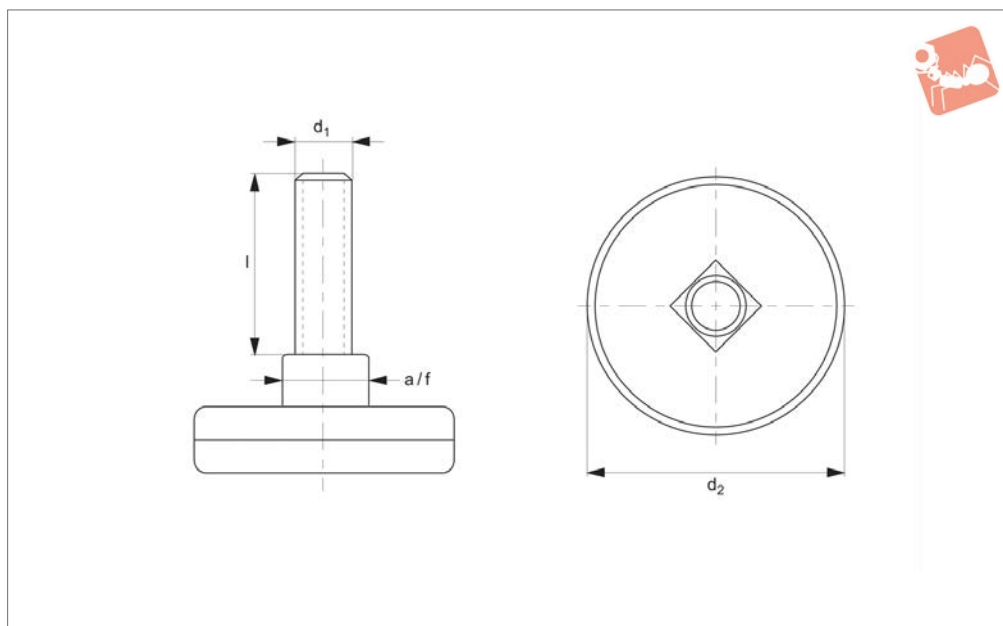
**Material**

Thread: steel, zinc plated.  
Pad: thermoplastic, black.

| Order No.   | d <sub>1</sub> | d <sub>2</sub> | l  | c  | b  | a |
|-------------|----------------|----------------|----|----|----|---|
| 34620.W0020 | M 8            | 25             | 17 | 18 | 8  | 2 |
| 34620.W0021 | M 8            | 25             | 22 | 18 | 8  | 2 |
| 34620.W0022 | M 8            | 25             | 27 | 18 | 8  | 2 |
| 34620.W0031 | M 8            | 30             | 27 | 18 | 8  | 2 |
| 34620.W0042 | M 8            | 40             | 32 | 20 | 9  | 2 |
| 34620.W0045 | M10            | 40             | 22 | 20 | 9  | 2 |
| 34620.W0046 | M10            | 40             | 32 | 20 | 9  | 2 |
| 34620.W0055 | M10            | 50             | 22 | 22 | 10 | 2 |
| 34620.W0056 | M10            | 50             | 32 | 22 | 10 | 2 |
| 34620.W0065 | M10            | 60             | 37 | 22 | 10 | 2 |
| 34620.W0066 | M10            | 60             | 27 | 22 | 10 | 2 |
| 34620.W0085 | M10            | 80             | 22 | 26 | 10 | 2 |
| 34620.W0086 | M10            | 80             | 32 | 26 | 10 | 2 |
| 34620.W0087 | M10            | 80             | 37 | 26 | 10 | 2 |



## 34630

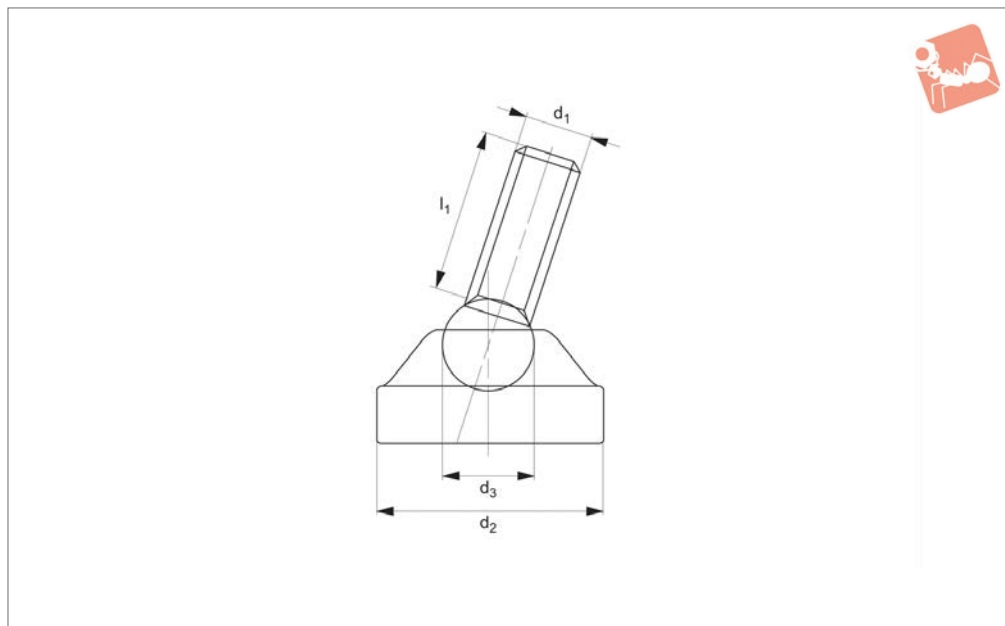


### Material

Thread: steel, zinc plated.  
Pad: thermoplastic, black.

| Order No.   | d <sub>1</sub> | d <sub>2</sub> | l  | A/F |
|-------------|----------------|----------------|----|-----|
| 34630.W0011 | M 8            | 19             | 22 | 14  |
| 34630.W0013 | M 8            | 19             | 27 | 14  |
| 34630.W0036 | M 8            | 30             | 22 | 17  |
| 34630.W0038 | M10            | 30             | 27 | 17  |
| 34630.W0041 | M 8            | 40             | 22 | 17  |
| 34630.W0042 | M 8            | 40             | 32 | 17  |
| 34630.W0045 | M10            | 40             | 22 | 17  |
| 34630.W0046 | M10            | 40             | 32 | 17  |
| 34630.W0051 | M 8            | 50             | 22 | 17  |
| 34630.W0054 | M10            | 50             | 27 | 17  |
| 34630.W0056 | M10            | 50             | 32 | 17  |
| 34630.W0062 | M 8            | 60             | 32 | 17  |
| 34630.W0063 | M 8            | 60             | 42 | 17  |
| 34630.W0066 | M10            | 60             | 32 | 17  |
| 34630.W0067 | M10            | 60             | 45 | 17  |





## 34640

LEVELLING FEET

### Material

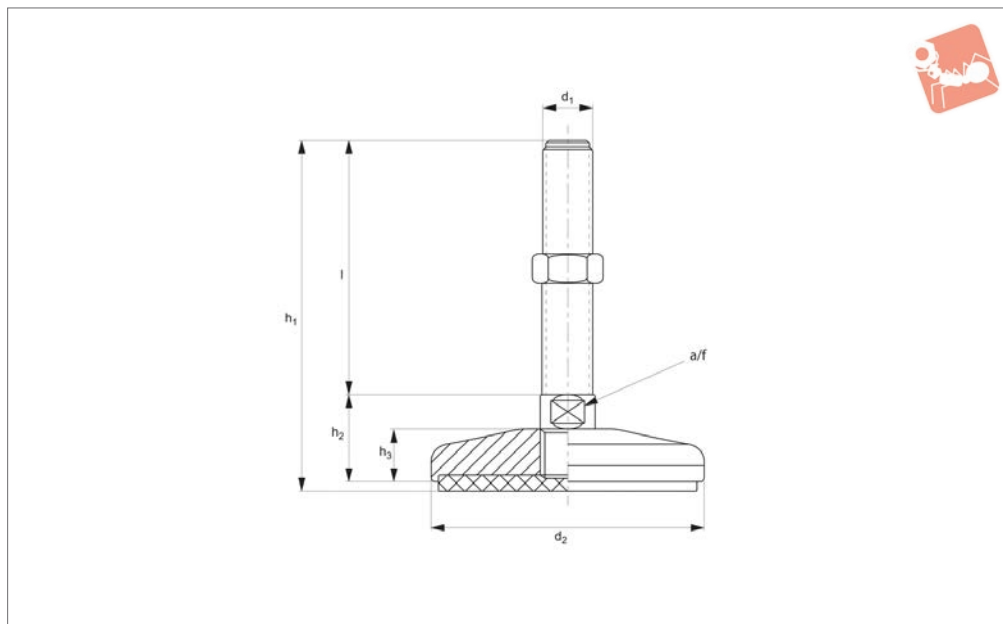
Thread: steel, zinc plated.

Pad: thermoplastic, black.

| Order No.   | d <sub>1</sub> | d <sub>2</sub> | d <sub>3</sub> | l <sub>1</sub> |
|-------------|----------------|----------------|----------------|----------------|
| 34640.W0018 | M 8            | 24             | 10             | 18             |



## 34650



### Material

Stainless steel (AISI 304), with rubber pad (70 Shore A).

Stainless steel (AISI 316) version available

on request.

### Technical Notes

Load values refer to static loads, located at

half the screw height.

When vibrations or dynamic loads are present these values should be reduced.

| Order No.   | d <sub>1</sub> | d <sub>2</sub> | l   | h <sub>1</sub> | h <sub>2</sub> | h <sub>3</sub> | A/F | Load kN max. |
|-------------|----------------|----------------|-----|----------------|----------------|----------------|-----|--------------|
| 34650.W1600 | M16            | 80             | 100 | 134.5          | 31.5           | 19             | 17  | 30           |
| 34650.W1601 | M16            | 80             | 150 | 184.5          | 31.5           | 19             | 17  | 30           |
| 34650.W1602 | M16            | 80             | 200 | 234.5          | 31.5           | 19             | 17  | 30           |
| 34650.W1603 | M16            | 100            | 100 | 136.0          | 33.0           | 20             | 20  | 40           |
| 34650.W1604 | M16            | 100            | 150 | 186.0          | 33.0           | 20             | 20  | 40           |
| 34650.W1605 | M16            | 100            | 200 | 236.0          | 33.0           | 20             | 20  | 40           |
| 34650.W2000 | M20            | 80             | 100 | 134.5          | 31.5           | 19             | 20  | 35           |
| 34650.W2001 | M20            | 80             | 150 | 184.5          | 31.5           | 19             | 20  | 35           |
| 34650.W2002 | M20            | 80             | 200 | 234.5          | 31.5           | 19             | 20  | 35           |
| 34650.W2003 | M20            | 80             | 225 | 259.5          | 31.5           | 19             | 20  | 35           |
| 34650.W2004 | M20            | 100            | 100 | 136.0          | 33.0           | 20             | 20  | 45           |
| 34650.W2005 | M20            | 100            | 150 | 186.0          | 33.0           | 20             | 20  | 45           |
| 34650.W2006 | M20            | 100            | 200 | 236.0          | 33.0           | 20             | 20  | 45           |
| 34650.W2007 | M20            | 100            | 250 | 286.0          | 33.0           | 20             | 20  | 45           |
| 34650.W2008 | M20            | 120            | 100 | 138.0          | 35.0           | 22             | 20  | 45           |
| 34650.W2009 | M20            | 120            | 150 | 188.0          | 35.0           | 22             | 20  | 45           |
| 34650.W2100 | M20            | 120            | 200 | 238.0          | 35.0           | 22             | 20  | 45           |
| 34650.W2101 | M20            | 120            | 250 | 288.0          | 35.0           | 22             | 20  | 45           |
| 34650.W2102 | M20            | 159            | 100 | 139.0          | 36.0           | 23             | 20  | 50           |
| 34650.W2103 | M20            | 159            | 150 | 189.0          | 36.0           | 23             | 20  | 50           |
| 34650.W2104 | M20            | 159            | 200 | 239.0          | 36.0           | 23             | 20  | 50           |
| 34650.W2105 | M20            | 159            | 250 | 289.0          | 36.0           | 23             | 20  | 50           |
| 34650.W2400 | M24            | 80             | 100 | 136.0          | 33.0           | 19             | 20  | 40           |
| 34650.W2401 | M24            | 80             | 150 | 186.0          | 33.0           | 19             | 20  | 40           |
| 34650.W2402 | M24            | 80             | 200 | 236.0          | 33.0           | 19             | 20  | 40           |
| 34650.W2403 | M24            | 80             | 225 | 261.0          | 33.0           | 19             | 20  | 40           |
| 34650.W2404 | M24            | 100            | 100 | 137.0          | 34.0           | 20             | 20  | 50           |
| 34650.W2405 | M24            | 100            | 150 | 187.0          | 34.0           | 20             | 20  | 50           |
| 34650.W2406 | M24            | 100            | 200 | 237.0          | 34.0           | 20             | 20  | 50           |
| 34650.W2407 | M24            | 100            | 250 | 287.0          | 34.0           | 20             | 20  | 50           |
| 34650.W2408 | M24            | 120            | 100 | 138.0          | 35.0           | 22             | 20  | 50           |
| 34650.W2409 | M24            | 120            | 150 | 188.0          | 35.0           | 22             | 20  | 50           |
| 34650.W2500 | M24            | 120            | 200 | 238.0          | 35.0           | 22             | 20  | 50           |



# Levelling Feet - Fixed Feet

stainless steel, heavy duty



## Levelling Feet

| Order No.          | d <sub>1</sub> | d <sub>2</sub> | l   | h <sub>1</sub> | h <sub>2</sub> | h <sub>3</sub> | A/F | Load<br>kN<br>max. |
|--------------------|----------------|----------------|-----|----------------|----------------|----------------|-----|--------------------|
| <b>34650.W2501</b> | M24            | 120            | 250 | 288.0          | 35.0           | 22             | 20  | 50                 |
| <b>34650.W2502</b> | M24            | 159            | 100 | 139.0          | 36.0           | 23             | 20  | 60                 |
| <b>34650.W2503</b> | M24            | 159            | 150 | 189.0          | 36.0           | 23             | 20  | 60                 |
| <b>34650.W2504</b> | M24            | 159            | 200 | 239.0          | 36.0           | 23             | 20  | 60                 |
| <b>34650.W2505</b> | M24            | 159            | 250 | 289.0          | 36.0           | 23             | 20  | 60                 |
| <b>34650.W3000</b> | M30            | 120            | 100 | 139.0          | 36.0           | 22             | 26  | 60                 |
| <b>34650.W3001</b> | M30            | 120            | 150 | 189.0          | 36.0           | 22             | 26  | 60                 |
| <b>34650.W3002</b> | M30            | 120            | 200 | 239.0          | 36.0           | 22             | 26  | 60                 |
| <b>34650.W3003</b> | M30            | 120            | 250 | 289.0          | 36.0           | 22             | 26  | 60                 |
| <b>34650.W3004</b> | M30            | 159            | 100 | 140.0          | 37.0           | 23             | 26  | 70                 |
| <b>34650.W3005</b> | M30            | 159            | 150 | 190.0          | 37.0           | 23             | 26  | 70                 |
| <b>34650.W3006</b> | M30            | 159            | 200 | 240.0          | 37.0           | 23             | 26  | 70                 |
| <b>34650.W3007</b> | M30            | 159            | 250 | 290.0          | 37.0           | 23             | 70  | 70                 |

LEVELLING FEET



## A Range of features to suit your application

### Product selection

To ensure you select the most suitable levelling feet for your application consider the following questions:

- Tilting or fixed?
- Material required - steel, stainless or plastic?
- Load carrying capacity - light, medium or heavy duty? (Review the quoted load capacities in the individual product tables).
- Bolt down feature required?
- Threaded or plastic insert required for mounting?
- Optional extras: hygiene seal, rubber pad, (subject to minimum quantity and selected model).

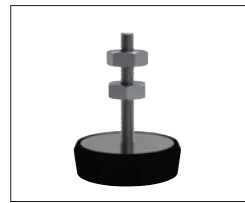
### Key types



Fixed feet



Articulating levelling feet



Machine mounts



Fulcrum screw

### Available features



Articulation



Standard nylon base



Anti-slip base



Bolt down base



Hygienic seal



Hex for easy installation

### Materials



Steel thread - Nylon base



Stainless thread - Nylon base



Steel thread - Steel base



Stainless thread - Stainless base

### Mounting inserts



Weldable insert



Hollow section insert



Hollow section bushed insert

### Additional technical information



▶ For applications under greater loads and requiring increased precision of adjustment see our range of Precision Height Adjusters.

▶ For applications exposed to extreme vibrations see our range of Anti-Vibration Mounts.

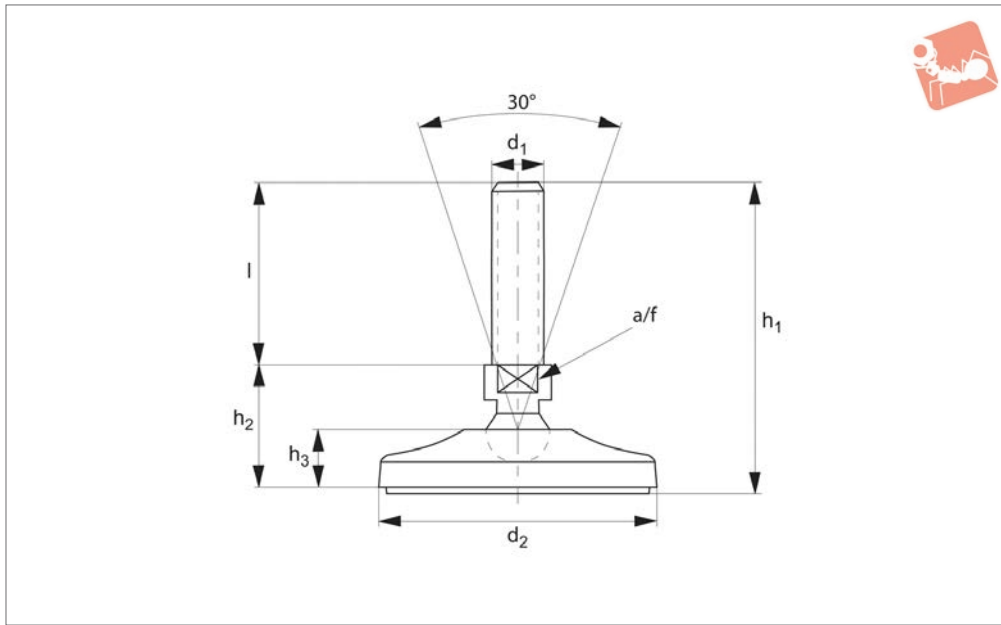




# Mini Levelling Feet

stainless steel, articulated

## Levelling Feet



**34614**

LEVELLING FEET

**Material**

Stainless steel (AISI 304), with rubber pad (70 Shore A).  
Stainless steel (AISI 316) version available

on request.

**Technical Notes**

Load values refer to static loads, located at

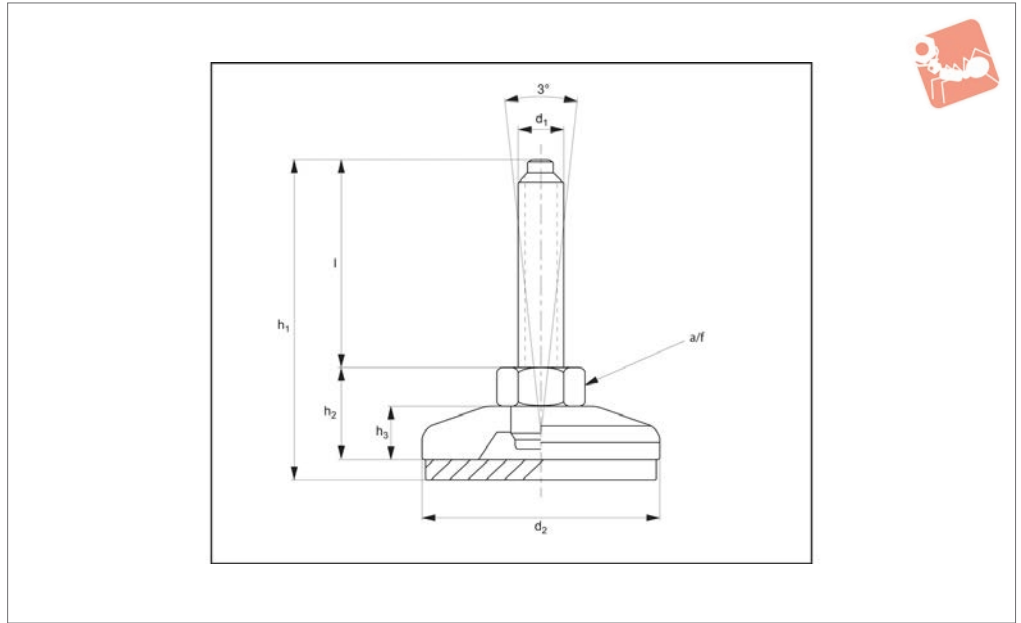
half the screw height.

When vibrations or dynamic loads are present these values should be reduced.

| Order No.   | d <sub>1</sub> | d <sub>2</sub> | l   | h <sub>1</sub> | h <sub>2</sub> | h <sub>3</sub> | A/F | Load kN max. |
|-------------|----------------|----------------|-----|----------------|----------------|----------------|-----|--------------|
| 34614.W0800 | M 8            | 40             | 25  | 53             | 25             | 14.5           | 12  | 10           |
| 34614.W0801 | M 8            | 40             | 50  | 78             | 25             | 14.5           | 12  | 10           |
| 34614.W0802 | M 8            | 40             | 75  | 103            | 25             | 14.5           | 12  | 10           |
| 34614.W0803 | M 8            | 40             | 100 | 128            | 25             | 14.5           | 12  | 10           |



## 34615



### Material

Stainless steel (AISI 304), with rubber pad (70 Shore A).  
Stainless steel (AISI 316) version available

on request.

### Technical Notes

Load values refer to static loads, located at

half the screw height.

When vibrations or dynamic loads are present these values should be reduced.

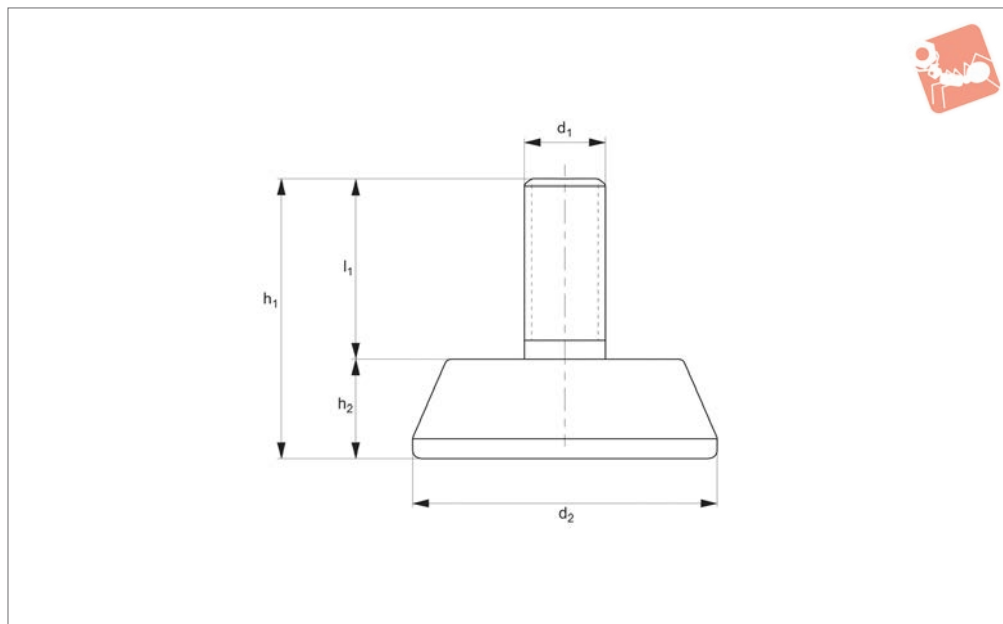
| Order No.   | d <sub>1</sub> | d <sub>2</sub> | l   | h <sub>1</sub> | h <sub>2</sub> | h <sub>3</sub> | A/F | Load kN max. |
|-------------|----------------|----------------|-----|----------------|----------------|----------------|-----|--------------|
| 34615.W0800 | M 8            | 40             | 25  | 42             | 14             | 8              | 14  | 9            |
| 34615.W0801 | M 8            | 40             | 50  | 67             | 14             | 8              | 14  | 9            |
| 34615.W1000 | M10            | 40             | 25  | 42             | 14             | 8              | 14  | 9            |
| 34615.W1001 | M10            | 40             | 50  | 67             | 14             | 8              | 14  | 9            |
| 34615.W1002 | M10            | 40             | 75  | 92             | 14             | 8              | 14  | 9            |
| 34615.W1200 | M12            | 40             | 50  | 67             | 14             | 8              | 14  | 9            |
| 34615.W1201 | M12            | 40             | 100 | 117            | 14             | 8              | 14  | 9            |



# Mini Levelling Feet

steel with plastic base

## Levelling Feet



**34616**

LEVELLING FEET

### Material

Galvanised steel stud with plastic base.

calculated at the half of the screw length.  
In the presence of vibrations or dynamic loads these values should be reduced.

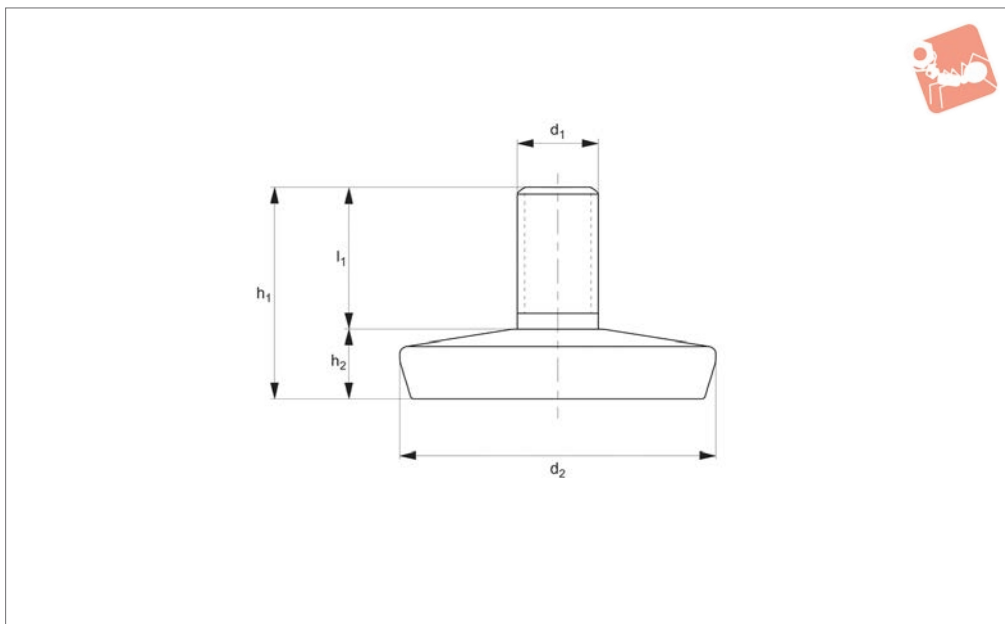
### Technical Notes

Load values shown are for static loads

| Order No.   | d <sub>1</sub> | d <sub>2</sub> | l <sub>1</sub> | h <sub>1</sub> | h <sub>2</sub> | Static load N |
|-------------|----------------|----------------|----------------|----------------|----------------|---------------|
| 34616.W0800 | M 8            | 30             | 20             | 31.5           | 11.5           | 2000          |
| 34616.W0801 | M 8            | 40             | 25             | 39.5           | 14.5           | 2500          |
| 34616.W0802 | M 8            | 40             | 25             | 41.0           | 16.0           | 1800          |
| 34616.W1000 | M10            | 30             | 20             | 31.5           | 11.5           | 2000          |
| 34616.W1001 | M10            | 40             | 25             | 39.5           | 14.5           | 2500          |
| 34616.W1002 | M10            | 50             | 35             | 52.0           | 17.0           | 3500          |
| 34616.W1003 | M10            | 40             | 25             | 41.0           | 16.0           | 2250          |
| 34616.W1200 | M12            | 50             | 35             | 52.0           | 17.0           | 3500          |
| 34616.W1201 | M12            | 60             | 35             | 52.0           | 17.0           | 4000          |
| 34616.W1202 | M12            | 40             | 25             | 41.0           | 16.0           | 3150          |



**34618**



**Material**

Galvanised steel stud with plastic base.

calculated at the half of the screw length.  
In the presence of vibrations or dynamic loads these values should be reduced.

**Technical Notes**

Load values shown are for static loads

| Order No.   | d <sub>1</sub> | d <sub>2</sub> | l <sub>1</sub> | h <sub>1</sub> | h <sub>2</sub> | Static load N |
|-------------|----------------|----------------|----------------|----------------|----------------|---------------|
| 34618.W0800 | M 8            | 40             | 20             | 30             | 10             | 3000          |
| 34618.W1000 | M10            | 40             | 20             | 30             | 10             | 3000          |

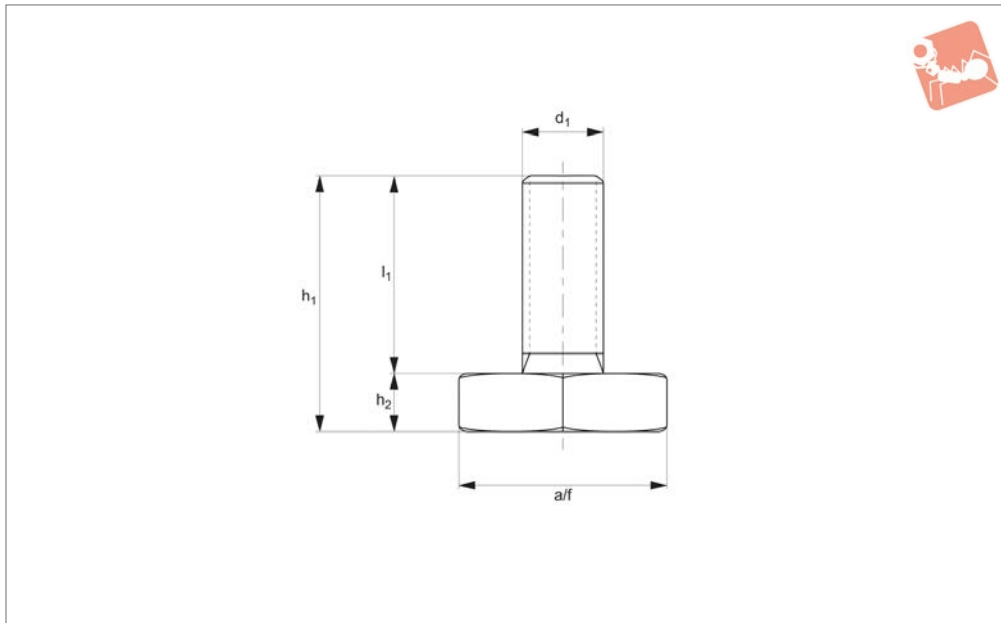




# Mini Levelling Feet

steel with hex. plastic base

## Levelling Feet



**34619**

LEVELLING FEET

### Material

Galvanised steel stud with hexagon plastic base.

### Technical Notes

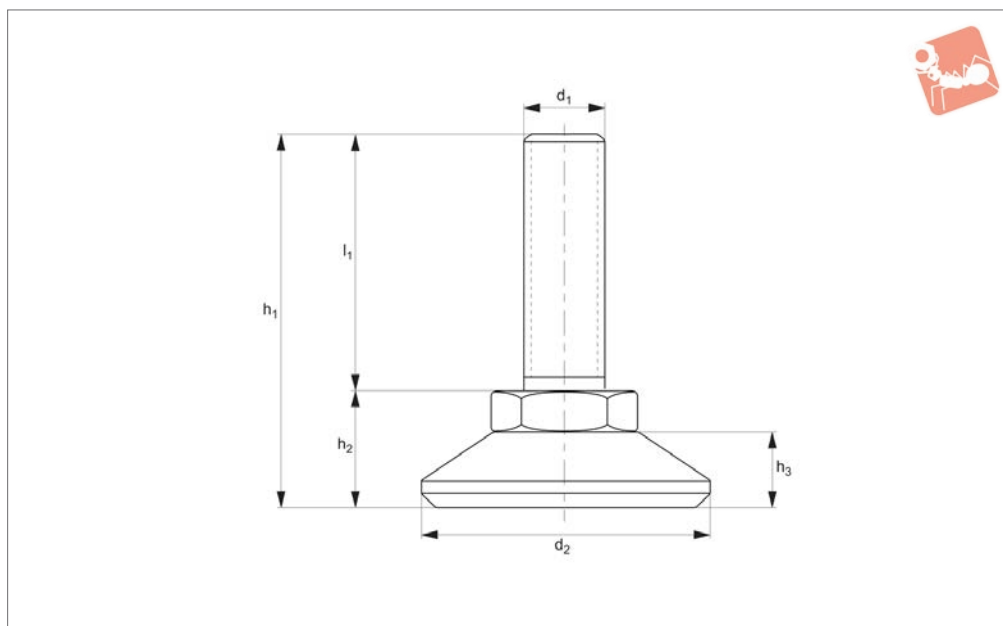
Load values shown are for static loads calculated at the half of the screw length.

In the presence of vibrations or dynamic loads these values should be reduced.

| Order No.   | $d_1$ | $l_1$ | $h_1$ | $h_2$ | A/F | Static load N |
|-------------|-------|-------|-------|-------|-----|---------------|
| 34619.W0800 | M 8   | 25    | 33    | 8     | 25  | 2500          |
| 34619.W0801 | M 8   | 35    | 43    | 8     | 25  | 2500          |
| 34619.W1000 | M10   | 25    | 33    | 8     | 25  | 2500          |
| 34619.W1001 | M10   | 35    | 43    | 8     | 25  | 2500          |



**34631**



**Material**

Galvanised steel stud with plastic base.

calculated at the half of the screw length.  
In the presence of vibrations or dynamic loads these values should be reduced.

**Technical Notes**

Load values shown are for static loads

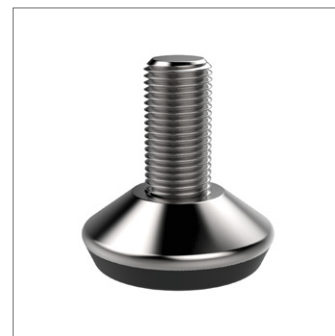
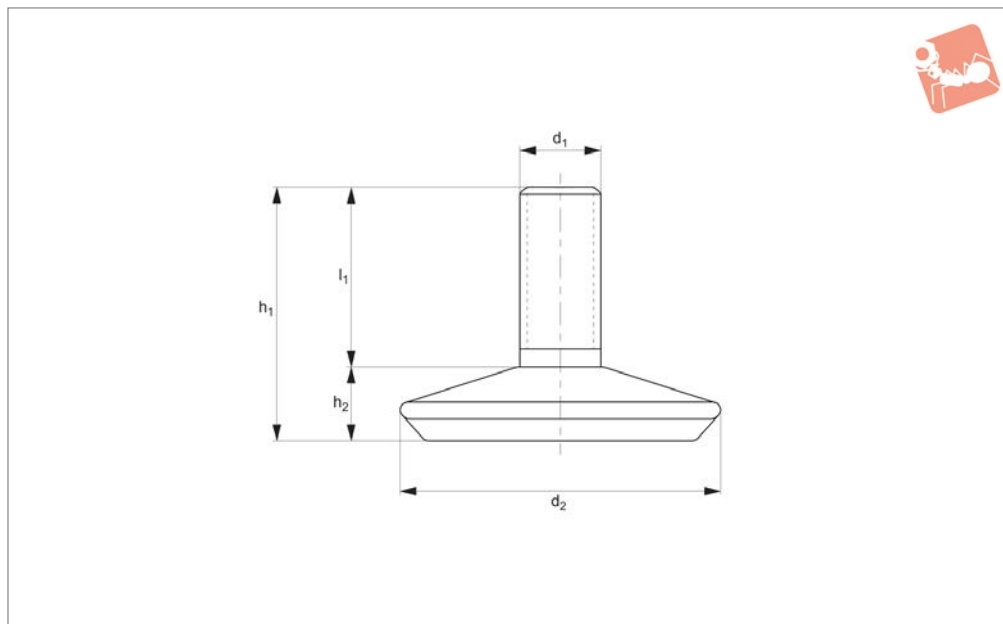
| Order No.   | d <sub>1</sub> | d <sub>2</sub> | l <sub>1</sub> | h <sub>1</sub> | h <sub>2</sub> | h <sub>3</sub> | Static load N |
|-------------|----------------|----------------|----------------|----------------|----------------|----------------|---------------|
| 34631.W1003 | M10            | 40             | 40             | 58.0           | 18.0           | 11.5           | 3500          |
| 34631.W1004 | M10            | 40             | 60             | 78.0           | 18.0           | 11.5           | 3500          |
| 34631.W1005 | M10            | 50             | 40             | 60.0           | 20.0           | 13.5           | 4500          |
| 34631.W1006 | M10            | 50             | 60             | 80.0           | 20.0           | 13.5           | 4500          |
| 34631.W1000 | M10            | 26             | 10             | 26.5           | 16.5           | 11.5           | 1500          |
| 34631.W1001 | M10            | 26             | 20             | 36.5           | 16.5           | 11.5           | 1500          |
| 34631.W1002 | M10            | 26             | 30             | 46.5           | 16.5           | 11.5           | 1500          |



# Mini Levelling Feet

steel with plastic base

## Levelling Feet



### 34641

LEVELLING FEET

#### Material

Galvanised steel stud with plastic base, with chromate case.

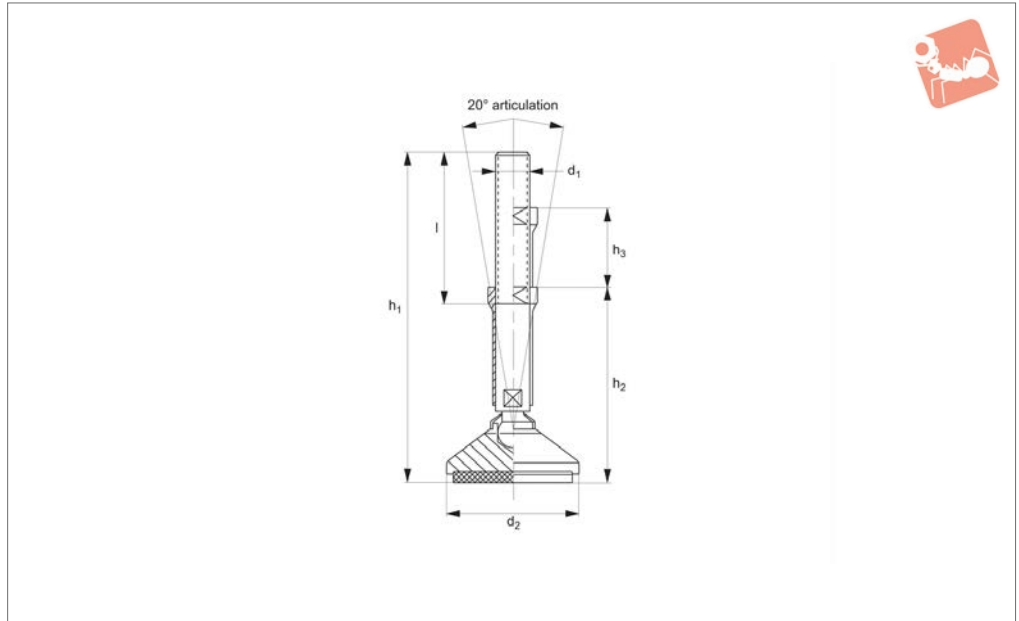
#### Technical Notes

When vibrations or dynamic loads are present these values should be reduced.

| Order No.   | d <sub>1</sub> | d <sub>2</sub> | l  | h <sub>1</sub> | h <sub>2</sub> | Static load N |
|-------------|----------------|----------------|----|----------------|----------------|---------------|
| 34641.W0600 | M 6            | 20             | 13 | 20.0           | 7.0            | 1000          |
| 34641.W0800 | M 8            | 25             | 20 | 30.0           | 10.0           | 1500          |
| 34641.W0801 | M 8            | 30             | 20 | 31.5           | 11.5           | 2000          |
| 34641.W0802 | M 8            | 40             | 25 | 38.5           | 13.5           | 2800          |
| 34641.W1000 | M10            | 25             | 20 | 30.0           | 10.0           | 1500          |
| 34641.W1001 | M10            | 30             | 20 | 31.5           | 11.5           | 2000          |
| 34641.W1002 | M10            | 40             | 25 | 38.5           | 13.5           | 2800          |
| 34641.W1003 | M10            | 50             | 30 | 45.5           | 15.5           | 3800          |
| 34641.W1200 | M12            | 50             | 30 | 50.5           | 15.5           | 3800          |



**34770**



**Material**

Bolt and shroud nut: AISI 304 stainless steel.

Pad: AISI 304 stainless steel, with inset nitrile pad.

Seal: nitrile rubber.

**Technical Notes**

Nut shroud is used to cover the exposed

threaded section of the machine mount, and hence prevents areas of contamination. In addition the rubber seal between base and bolt adds to the ease of cleaning.

**Tips**

Specifically designed for food & drink, pharmaceutical & clean room applications where hygiene is of prime importance and

ingress of materials is to be minimised.

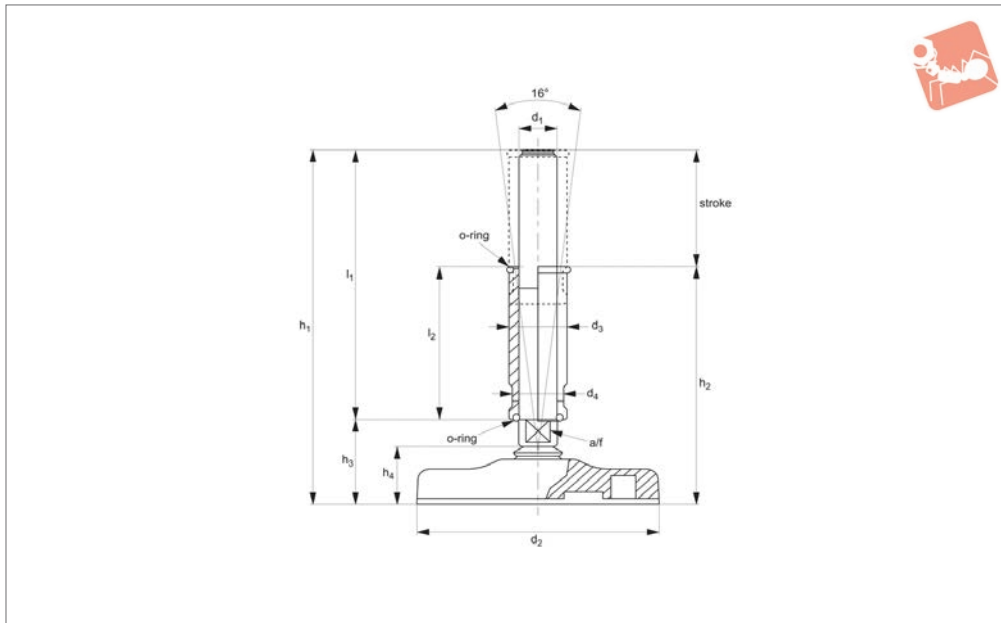
| Order No.   | d <sub>1</sub> | l  | d <sub>2</sub> | h <sub>1</sub> | Height h <sub>2</sub><br>min. | Shroud adj. h <sub>3</sub><br>max. | Static load<br>kN<br>max. |
|-------------|----------------|----|----------------|----------------|-------------------------------|------------------------------------|---------------------------|
| 34770.W0120 | M12            | 68 | 55             | 124            | 70                            | 25                                 | 7.5                       |
| 34770.W0121 | M12            | 92 | 55             | 174            | 95                            | 50                                 | 7.5                       |
| 34770.W0160 | M16            | 68 | 75             | 130            | 75                            | 50                                 | 17.5                      |
| 34770.W0162 | M16            | 92 | 75             | 180            | 100                           | 50                                 | 17.5                      |
| 34770.W0200 | M20            | 68 | 100            | 136            | 85                            | 25                                 | 25.0                      |
| 34770.W0201 | M20            | 92 | 100            | 186            | 110                           | 50                                 | 25.0                      |



# Hygienic Levelling Feet

stainless steel, with plastic base

## Levelling Feet



**34771**

LEVELLING FEET

### Material

Base: polyamide base.  
Screw: stainless steel 304.

### Technical Notes

Nut shroud is used to cover the exposed threaded section of the levelling foot, and hence prevents areas of contamination. In

addition the rubber seal between base and bolt adds to the ease of cleaning.

Load values shown are for static loads calculated at the half of the screw length. In the presence of vibrations or dynamic loads these values should be reduced.

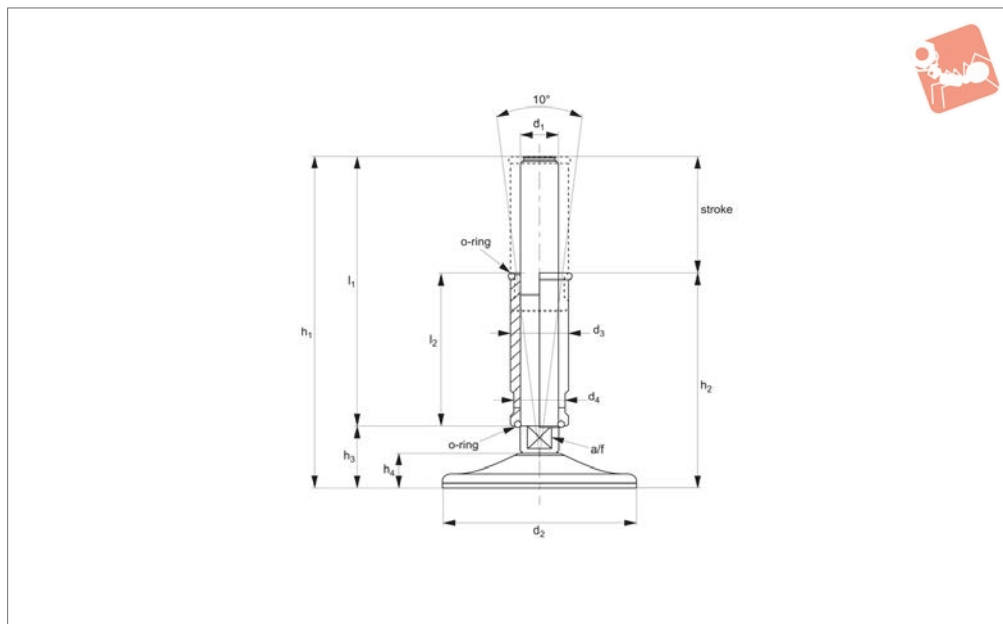
### Tips

Specifically designed for food & drink, pharmaceutical & clean room applications where hygiene is of prime importance and ingress of materials is to be minimised.

| Order No.   | Stroke | d <sub>1</sub> | d <sub>2</sub> | d <sub>3</sub> | d <sub>4</sub> | l <sub>1</sub> | l <sub>2</sub> | h <sub>1</sub> | h <sub>2</sub> | h <sub>3</sub> | A/F | Static load<br>kN |
|-------------|--------|----------------|----------------|----------------|----------------|----------------|----------------|----------------|----------------|----------------|-----|-------------------|
| 34771.W2000 | 65mm   | M20            | 103            | 30             | 26             | 150            | 85             | 193            | 128            | 43             | 17  | 20                |
| 34771.W2001 | 65mm   | M20            | 123            | 30             | 26             | 150            | 85             | 195            | 130            | 45             | 20  | 30                |
| 34771.W2400 | 65mm   | M24            | 103            | 35             | 30             | 150            | 85             | 194            | 129            | 44             | 17  | 20                |
| 34771.W2401 | 65mm   | M24            | 123            | 35             | 30             | 150            | 85             | 196            | 131            | 46             | 20  | 30                |
| 34771.W3000 | 65mm   | M30            | 123            | 42             | 36             | 150            | 85             | 197            | 132            | 47             | 26  | 30                |



## 34772



LEVelling FEET

### Material

Base: stainless steel with vulcanized rubber pad.

Screw: stainless steel 304.

### Technical Notes

Nut shroud is used to cover the exposed threaded section of the levelling feet, and

hence prevents areas of contamination. In addition the rubber seal between base and bolt adds to the ease of cleaning.

Load values shown are for static loads calculated at the half of the screw length. In the presence of vibrations or dynamic

loads these values should be reduced.

### Tips

Specifically designed for food & drink, pharmaceutical & clean room applications where hygiene is of prime importance and ingress of materials is to be minimised.

| Order No.   | Stroke | d <sub>1</sub> | d <sub>2</sub> | d <sub>3</sub> | d <sub>4</sub> | l <sub>1</sub> | l <sub>2</sub> | h <sub>1</sub> | h <sub>2</sub> | h <sub>3</sub> | h <sub>4</sub> | A/F | Static load kN |
|-------------|--------|----------------|----------------|----------------|----------------|----------------|----------------|----------------|----------------|----------------|----------------|-----|----------------|
| 34772.W1600 | 40mm   | M16            | 60             | 24             | 20             | 125            | 65             | 160            | 95             | 35             | 22.0           | 17  | 7              |
| 34772.W1601 | 65mm   | M16            | 60             | 24             | 20             | 150            | 85             | 185            | 120            | 35             | 22.0           | 17  | 7              |
| 34772.W1602 | 40mm   | M16            | 80             | 24             | 20             | 125            | 65             | 163            | 98             | 38             | 22.0           | 17  | 10             |
| 34772.W1603 | 65mm   | M16            | 80             | 24             | 20             | 150            | 85             | 188            | 123            | 38             | 25.0           | 17  | 10             |
| 34772.W1604 | 65mm   | M16            | 100            | 24             | 20             | 150            | 85             | 193            | 128            | 43             | 25.0           | 17  | 15             |
| 34772.W1605 | 65mm   | M16            | 120            | 24             | 20             | 150            | 85             | 195            | 130            | 45             | 25.0           | 17  | 30             |
| 34772.W1606 | 40mm   | M16            | 75             | 24             | 20             | 125            | 65             | 153            | 88             | 28             | 25.0           | 13  | 20             |
| 34772.W1607 | 65mm   | M16            | 100            | 24             | 20             | 150            | 85             | 187            | 122            | 37             | 30.0           | 17  | 30             |
| 34772.W2000 | 65mm   | M20            | 60             | 30             | 26             | 150            | 85             | 185            | 120            | 35             | 30.0           | 17  | 7              |
| 34772.W2001 | 65mm   | M20            | 80             | 30             | 26             | 150            | 85             | 188            | 123            | 38             | 30.0           | 17  | 10             |
| 34772.W2002 | 65mm   | M20            | 80             | 30             | 26             | 200            | 85             | 238            | 173            | 38             | 30.0           | 17  | 10             |
| 34772.W2003 | 65mm   | M20            | 100            | 30             | 26             | 150            | 85             | 193            | 128            | 43             | 30.0           | 17  | 15             |
| 34772.W2004 | 65mm   | M20            | 100            | 30             | 26             | 200            | 85             | 243            | 178            | 43             | 30.0           | 17  | 15             |
| 34772.W2005 | 65mm   | M20            | 120            | 30             | 26             | 150            | 85             | 195            | 130            | 45             | 30.0           | 17  | 30             |
| 34772.W2006 | 65mm   | M20            | 120            | 30             | 26             | 200            | 85             | 245            | 180            | 45             | 32.0           | 17  | 30             |
| 34772.W2007 | 65mm   | M20            | 100            | 30             | 26             | 150            | 85             | 187            | 122            | 37             | 32.0           | 17  | 30             |
| 34772.W2008 | 65mm   | M20            | 100            | 30             | 26             | 200            | 85             | 237            | 172            | 37             | 32.0           | 17  | 30             |
| 34772.W2009 | 65mm   | M20            | 120            | 30             | 26             | 150            | 85             | 187            | 122            | 37             | 32.0           | 17  | 40             |
| 34772.W2010 | 65mm   | M20            | 120            | 30             | 26             | 200            | 85             | 237            | 172            | 37             | 32.0           | 17  | 40             |
| 34772.W2011 | 65mm   | M20            | 150            | 30             | 26             | 150            | 85             | 189            | 124            | 39             | 32.0           | 17  | 50             |
| 34772.W2012 | 65mm   | M20            | 150            | 30             | 26             | 200            | 85             | 239            | 174            | 39             | 32.0           | 17  | 50             |
| 34772.W2400 | 65mm   | M24            | 100            | 35             | 30             | 150            | 85             | 194            | 129            | 44             | 18.0           | 20  | 15             |
| 34772.W2401 | 65mm   | M24            | 100            | 35             | 30             | 200            | 85             | 244            | 179            | 44             | 22.0           | 20  | 15             |
| 34772.W2402 | 65mm   | M24            | 120            | 35             | 30             | 150            | 85             | 196            | 131            | 46             | 22.0           | 20  | 30             |
| 34772.W2403 | 65mm   | M24            | 120            | 35             | 30             | 200            | 85             | 246            | 181            | 46             | 22.0           | 20  | 30             |
| 34772.W2404 | 65mm   | M24            | 100            | 35             | 30             | 150            | 85             | 188            | 123            | 38             | 22.0           | 20  | 30             |
| 34772.W2405 | 65mm   | M24            | 100            | 35             | 30             | 200            | 85             | 238            | 173            | 38             | 22.0           | 26  | 30             |
| 34772.W2406 | 65mm   | M24            | 120            | 35             | 30             | 150            | 85             | 188            | 123            | 38             | 22.0           | 20  | 40             |
| 34772.W2407 | 65mm   | M24            | 120            | 35             | 30             | 200            | 85             | 238            | 173            | 38             | 22.0           | 20  | 40             |
| 34772.W2408 | 65mm   | M24            | 150            | 35             | 30             | 150            | 85             | 190            | 125            | 40             | 22.0           | 20  | 50             |



# Hygienic Levelling Feet

stainless steel, with rubber pad



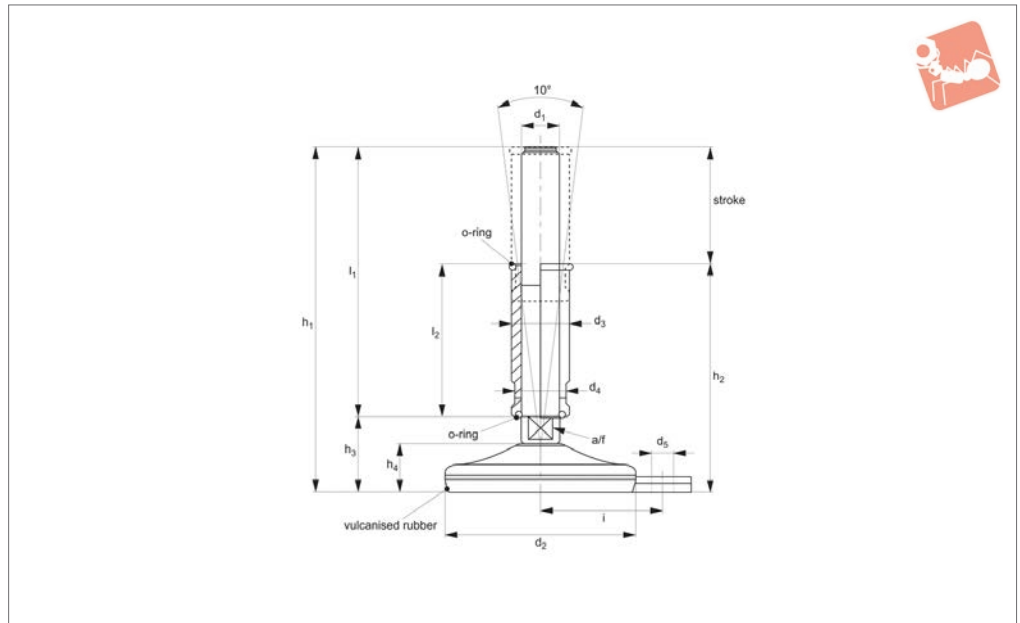
## Levelling Feet

| Order No.          | Stroke | d <sub>1</sub> | d <sub>2</sub> | d <sub>3</sub> | d <sub>4</sub> | l <sub>1</sub> | l <sub>2</sub> | h <sub>1</sub> | h <sub>2</sub> | h <sub>3</sub> | h <sub>4</sub> | A/F | Static load<br>kN |
|--------------------|--------|----------------|----------------|----------------|----------------|----------------|----------------|----------------|----------------|----------------|----------------|-----|-------------------|
| <b>34772.W2409</b> | 65mm   | M24            | 150            | 35             | 30             | 200            | 85             | 240            | 175            | 40             | 22.0           | 20  | 50                |
| <b>34772.W3000</b> | 65mm   | M30            | 100            | 42             | 36             | 150            | 85             | 195            | 130            | 45             | 22.0           | 26  | 15                |
| <b>34772.W3001</b> | 65mm   | M30            | 100            | 42             | 36             | 200            | 85             | 245            | 180            | 45             | 22.0           | 26  | 15                |
| <b>34772.W3002</b> | 65mm   | M30            | 120            | 42             | 36             | 150            | 85             | 197            | 132            | 47             | 22.0           | 26  | 30                |
| <b>34772.W3003</b> | 65mm   | M30            | 120            | 42             | 36             | 200            | 85             | 247            | 182            | 47             | 22.0           | 26  | 30                |
| <b>34772.W3004</b> | 65mm   | M30            | 100            | 42             | 36             | 150            | 85             | 189            | 124            | 39             | 24.5           | 26  | 30                |
| <b>34772.W3005</b> | 65mm   | M30            | 100            | 42             | 36             | 200            | 85             | 239            | 174            | 39             | 24.5           | 26  | 30                |
| <b>34772.W3006</b> | 65mm   | M30            | 120            | 42             | 36             | 150            | 85             | 189            | 124            | 39             | 24.5           | 26  | 40                |
| <b>34772.W3007</b> | 65mm   | M30            | 120            | 42             | 36             | 200            | 85             | 239            | 174            | 39             | 24.5           | 26  | 40                |
| <b>34772.W3008</b> | 65mm   | M30            | 150            | 42             | 36             | 150            | 85             | 191            | 126            | 41             | 24.5           | 26  | 50                |
| <b>34772.W3009</b> | 65mm   | M30            | 150            | 42             | 36             | 200            | 85             | 241            | 176            | 41             | 24.5           | 26  | 50                |

LEVELLING FEET



## 34775



### Material

Base: stainless steel 304 with vulcanized rubber pad.

Screw: stainless steel 304.

### Technical Notes

Nut shroud is used to cover the exposed threaded section of the levelling feet, and

hence prevents areas of contamination. In addition the rubber seal between base and bolt adds to the ease of cleaning.

Load values shown are for static loads calculated at the half of the screw length. In the presence of vibrations or dynamic

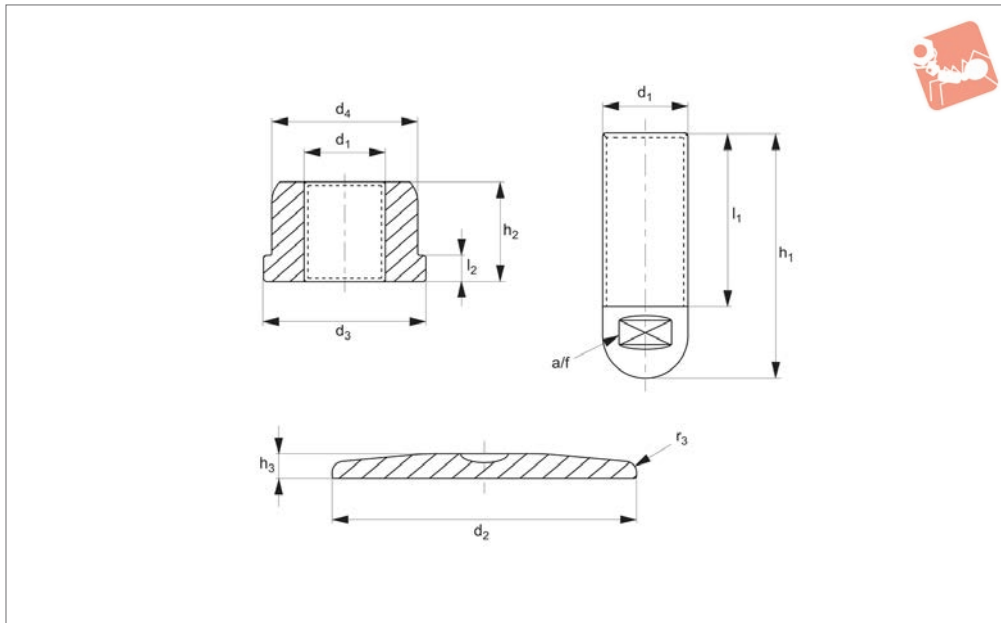
loads these values should be reduced.

### Tips

Specifically designed for food & drink, pharmaceutical & clean room applications where hygiene is of prime importance and ingress of materials is to be minimised.

| Order No.   | Stroke | d <sub>1</sub> | d <sub>2</sub> | d <sub>3</sub> | d <sub>4</sub> | l <sub>1</sub> | l <sub>2</sub> | h <sub>1</sub> | h <sub>2</sub> | h <sub>3</sub> | h <sub>4</sub> | i  | A/F | Static load kN |
|-------------|--------|----------------|----------------|----------------|----------------|----------------|----------------|----------------|----------------|----------------|----------------|----|-----|----------------|
| 34775.W1600 | 40mm   | M16            | 60             | 24             | 20             | 125            | 65             | 160            | 95             | 35             | 22             | 45 | 17  | 7              |
| 34775.W1601 | 65mm   | M16            | 60             | 24             | 20             | 150            | 85             | 185            | 120            | 35             | 22             | 45 | 17  | 7              |
| 34775.W1602 | 40mm   | M16            | 80             | 24             | 20             | 125            | 65             | 163            | 98             | 38             | 25             | 54 | 17  | 10             |
| 34775.W1603 | 65mm   | M16            | 80             | 24             | 20             | 150            | 85             | 188            | 123            | 38             | 25             | 54 | 17  | 10             |
| 34775.W1604 | 65mm   | M16            | 100            | 24             | 20             | 150            | 85             | 193            | 128            | 43             | 30             | 69 | 17  | 15             |
| 34775.W2000 | 65mm   | M20            | 60             | 30             | 26             | 150            | 85             | 185            | 120            | 35             | 22             | 45 | 17  | 7              |
| 34775.W2001 | 65mm   | M20            | 80             | 30             | 26             | 150            | 85             | 188            | 123            | 38             | 25             | 54 | 17  | 10             |
| 34775.W2002 | 65mm   | M20            | 80             | 30             | 26             | 200            | 85             | 238            | 173            | 38             | 25             | 54 | 17  | 10             |
| 34775.W2003 | 65mm   | M20            | 100            | 30             | 26             | 150            | 85             | 193            | 128            | 43             | 30             | 69 | 17  | 15             |
| 34775.W2004 | 65mm   | M20            | 100            | 30             | 26             | 200            | 85             | 243            | 178            | 43             | 30             | 69 | 17  | 15             |
| 34775.W2400 | 65mm   | M24            | 100            | 35             | 30             | 150            | 85             | 194            | 129            | 44             | 30             | 69 | 20  | 15             |
| 34775.W2401 | 65mm   | M24            | 100            | 35             | 30             | 200            | 85             | 244            | 179            | 44             | 30             | 69 | 20  | 15             |
| 34775.W3000 | 65mm   | M30            | 100            | 42             | 36             | 150            | 85             | 195            | 130            | 45             | 30             | 69 | 26  | 15             |
| 34775.W3001 | 65mm   | M30            | 100            | 42             | 36             | 200            | 85             | 245            | 180            | 45             | 30             | 69 | 26  | 15             |





## 34777

LEVELLING FEET

### Material

Stainless steel 304

pharmaceutical and food industry in respect of the strictest hygienic regulations.

calculated at the half of the screw length. In the presence of vibrations or dynamic loads these values should be reduced.

### Technical Notes

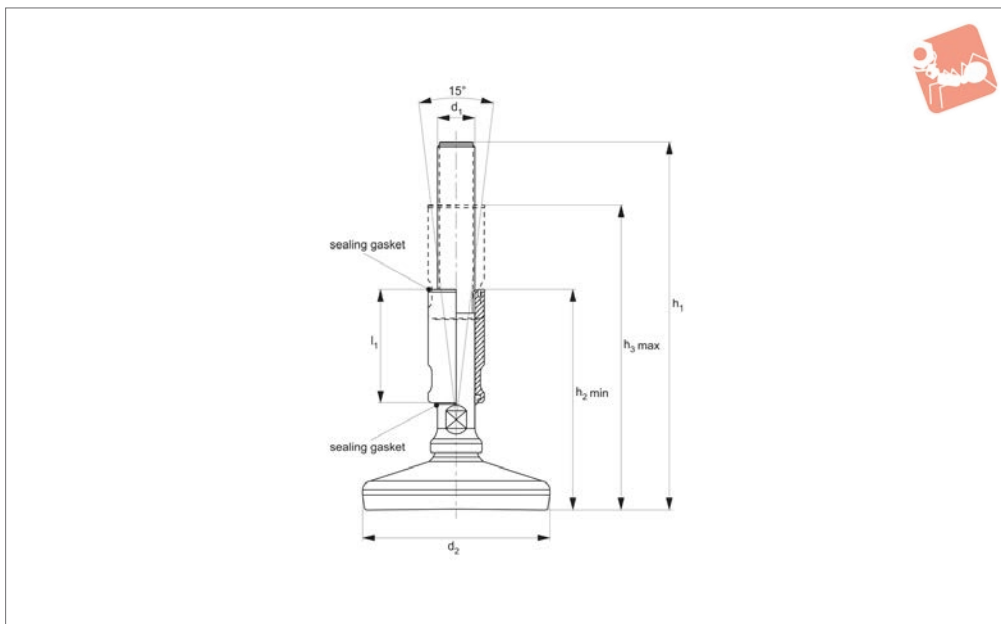
Levelling system planned for dairy, phar-

Load values shown are for static loads

| Order No.   | d <sub>1</sub> | d <sub>2</sub> | d <sub>3</sub> | d <sub>4</sub> | l <sub>1</sub> | l <sub>2</sub> | h <sub>1</sub> | h <sub>2</sub> | h <sub>3</sub> | A/F | Static load kN |
|-------------|----------------|----------------|----------------|----------------|----------------|----------------|----------------|----------------|----------------|-----|----------------|
| 34777.W2000 | M20            | 80             | 60             | 54             | 70             | 8              | 100            | 25             | 10             | 17  | 35             |
| 34777.W2400 | M24            | 100            | 60             | 54             | 70             | 10             | 100            | 40             | 10             | 20  | 70             |
| 34777.W3000 | M30            | 120            | 60             | 54             | 70             | 10             | 100            | 40             | 10             | 26  | 80             |
| 34777.W3001 | M30            | 120            | 80             | 75             | 100            | 10             | 140            | 25             | 10             | 26  | 80             |
| 34777.W4000 | M40            | 150            | 60             | 54             | 100            | 10             | 140            | 50             | 15             | 36  | 120            |
| 34777.W4001 | M40            | 200            | 60             | 54             | 100            | 10             | 140            | 50             | 15             | 36  | 120            |



## 34778



### Material

Stainless steel AISI 304.  
Blue gasket: silicone.  
Pad: vulcanised nitrile rubber.

### Technical Notes

Nut shroud is used to cover the exposed threaded section of the machine mount,

and hence prevents contamination. Use a spanner to adjust this shroud height  $h_2$  and  $h_3$ , using spanner size detailed in the table.

### Tips

Made to the high „3A“ standard. This ensures it meets the high standards

required for use in food, beverage, pharmaceutical and medical applications. Hygienically designed for effective and easy cleaning, corrosion resistant, non-toxic. Design precludes contamination by dirt, food particles and organic matter.

| Order No.   | $d_1$ | $d_2$ | $l_1$ | $h_1$ | For spanner size | Shroud adj. $h_2$<br>min. | Shroud adj. $h_3$<br>max. | Static load<br>kN<br>max. |
|-------------|-------|-------|-------|-------|------------------|---------------------------|---------------------------|---------------------------|
| 34778.W1620 | M16   | 120   | 60    | 200   | 13               | 121                       | 166                       | 30                        |
| 34778.W1625 | M16   | 120   | 85    | 250   | 13               | 146                       | 216                       | 30                        |
| 34778.W2020 | M20   | 120   | 60    | 200   | 17               | 121                       | 166                       | 30                        |
| 34778.W2025 | M20   | 120   | 85    | 250   | 17               | 146                       | 216                       | 30                        |
| 34778.W2420 | M24   | 120   | 60    | 200   | 20               | 121                       | 166                       | 30                        |
| 34778.W2425 | M24   | 120   | 85    | 250   | 20               | 146                       | 216                       | 30                        |