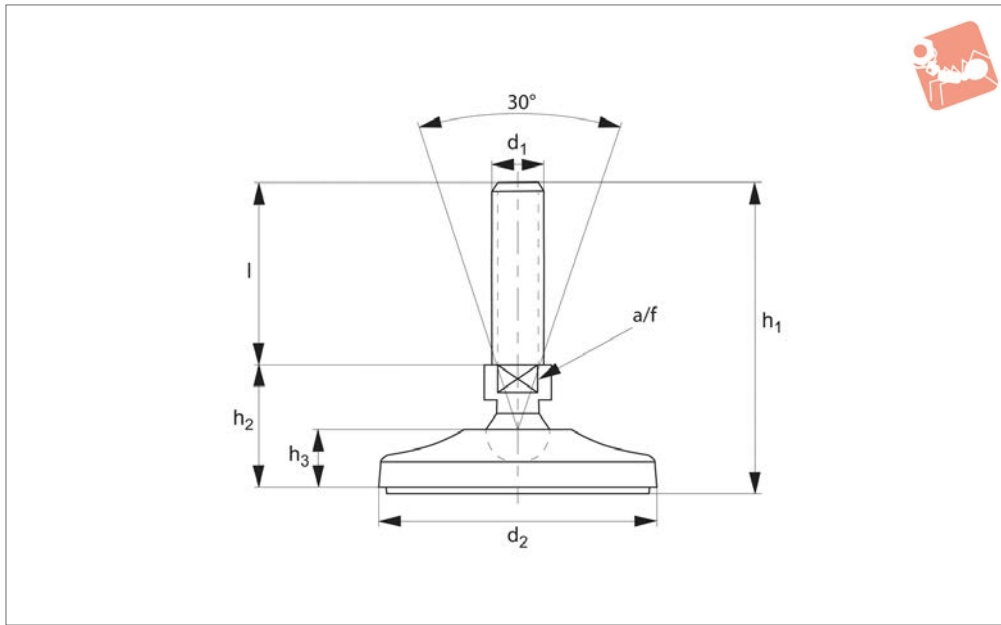




Mini Levelling Feet

stainless steel, articulated

Levelling Feet



34614

LEVELLING FEET

Material

Stainless steel (AISI 304), with rubber pad (70 Shore A).
Stainless steel (AISI 316) version available

on request.

Technical Notes

Load values refer to static loads, located at

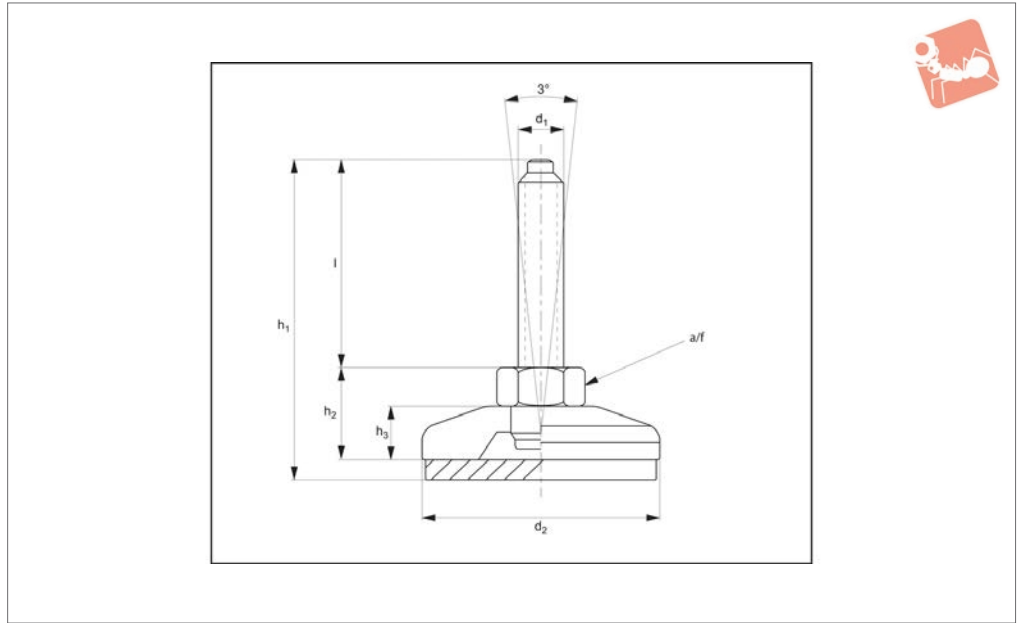
half the screw height.

When vibrations or dynamic loads are present these values should be reduced.

Order No.	d ₁	d ₂	l	h ₁	h ₂	h ₃	A/F	Load kN max.
34614.W0800	M 8	40	25	53	25	14.5	12	10
34614.W0801	M 8	40	50	78	25	14.5	12	10
34614.W0802	M 8	40	75	103	25	14.5	12	10
34614.W0803	M 8	40	100	128	25	14.5	12	10



34615



Material

Stainless steel (AISI 304), with rubber pad (70 Shore A).
Stainless steel (AISI 316) version available

on request.

Technical Notes

Load values refer to static loads, located at

half the screw height.

When vibrations or dynamic loads are present these values should be reduced.

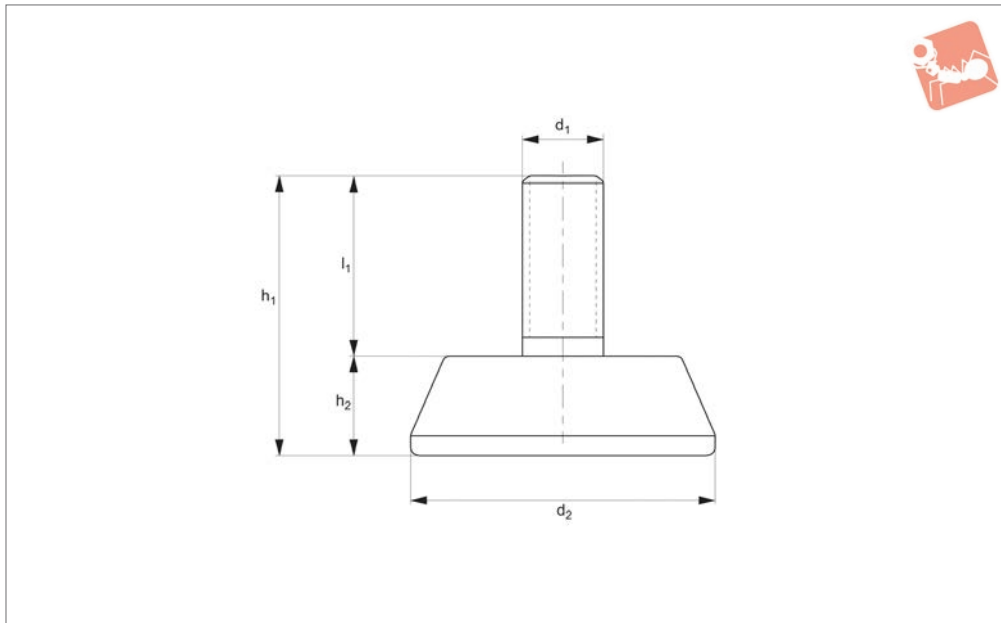
Order No.	d ₁	d ₂	l	h ₁	h ₂	h ₃	A/F	Load kN max.
34615.W0800	M 8	40	25	42	14	8	14	9
34615.W0801	M 8	40	50	67	14	8	14	9
34615.W1000	M10	40	25	42	14	8	14	9
34615.W1001	M10	40	50	67	14	8	14	9
34615.W1002	M10	40	75	92	14	8	14	9
34615.W1200	M12	40	50	67	14	8	14	9
34615.W1201	M12	40	100	117	14	8	14	9



Mini Levelling Feet

steel with plastic base

Levelling Feet



34616

LEVELLING FEET

Material

Galvanised steel stud with plastic base.

calculated at the half of the screw length.

In the presence of vibrations or dynamic loads these values should be reduced.

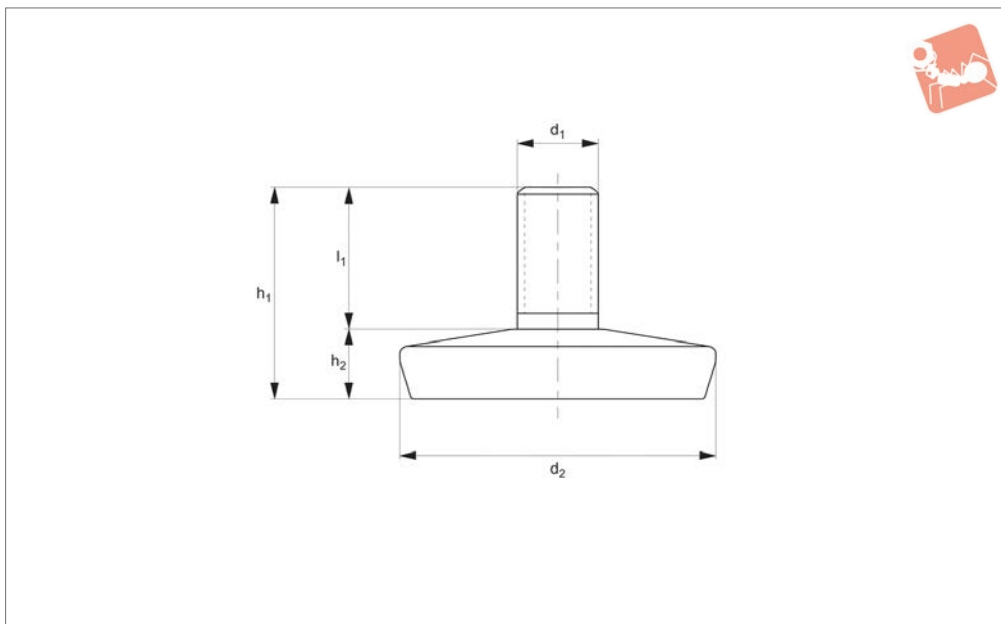
Technical Notes

Load values shown are for static loads

Order No.	d ₁	d ₂	l ₁	h ₁	h ₂	Static load N
34616.W0800	M 8	30	20	31.5	11.5	2000
34616.W0801	M 8	40	25	39.5	14.5	2500
34616.W0802	M 8	40	25	41.0	16.0	1800
34616.W1000	M10	30	20	31.5	11.5	2000
34616.W1001	M10	40	25	39.5	14.5	2500
34616.W1002	M10	50	35	52.0	17.0	3500
34616.W1003	M10	40	25	41.0	16.0	2250
34616.W1200	M12	50	35	52.0	17.0	3500
34616.W1201	M12	60	35	52.0	17.0	4000
34616.W1202	M12	40	25	41.0	16.0	3150



34618



Material

Galvanised steel stud with plastic base.

calculated at the half of the screw length.
In the presence of vibrations or dynamic loads these values should be reduced.

Technical Notes

Load values shown are for static loads

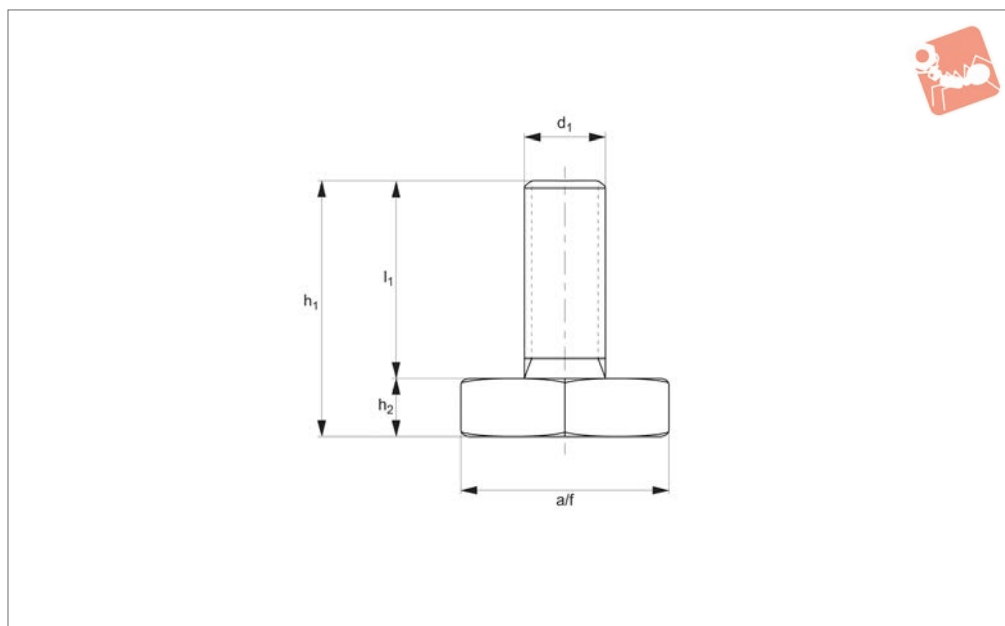
Order No.	d_1	d_2	l_1	h_1	h_2	Static load N
34618.W0800	M 8	40	20	30	10	3000
34618.W1000	M10	40	20	30	10	3000



Mini Levelling Feet

steel with hex. plastic base

Levelling Feet



34619

LEVELLING FEET

Material

Galvanised steel stud with hexagon plastic base.

Technical Notes

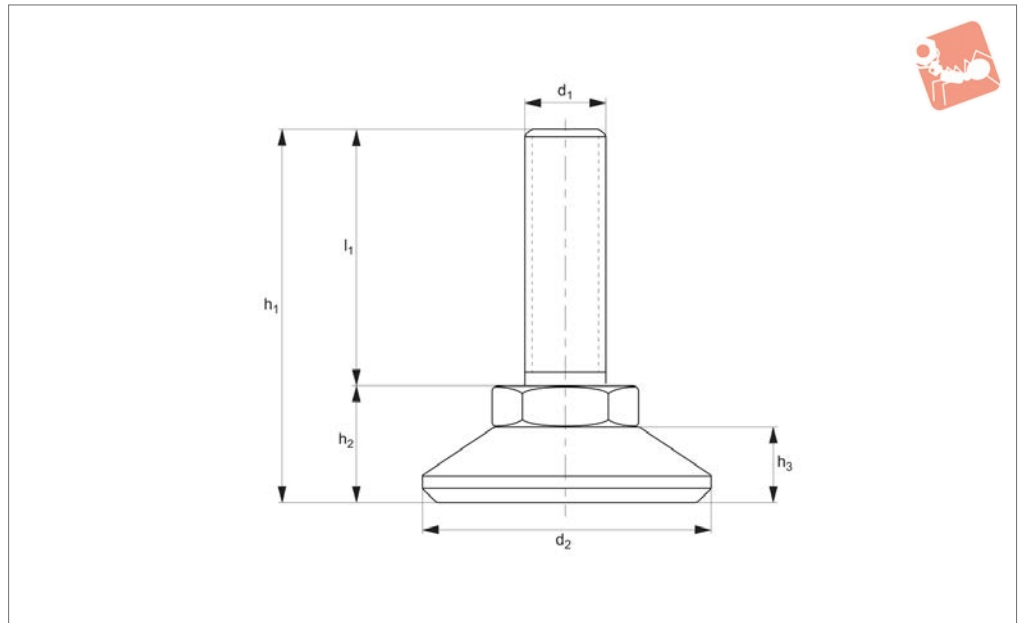
Load values shown are for static loads calculated at the half of the screw length.

In the presence of vibrations or dynamic loads these values should be reduced.

Order No.	d ₁	l ₁	h ₁	h ₂	A/F	Static load N
34619.W0800	M 8	25	33	8	25	2500
34619.W0801	M 8	35	43	8	25	2500
34619.W1000	M10	25	33	8	25	2500
34619.W1001	M10	35	43	8	25	2500



34631



Material

Galvanised steel stud with plastic base.

calculated at the half of the screw length.

In the presence of vibrations or dynamic loads these values should be reduced.

Technical Notes

Load values shown are for static loads

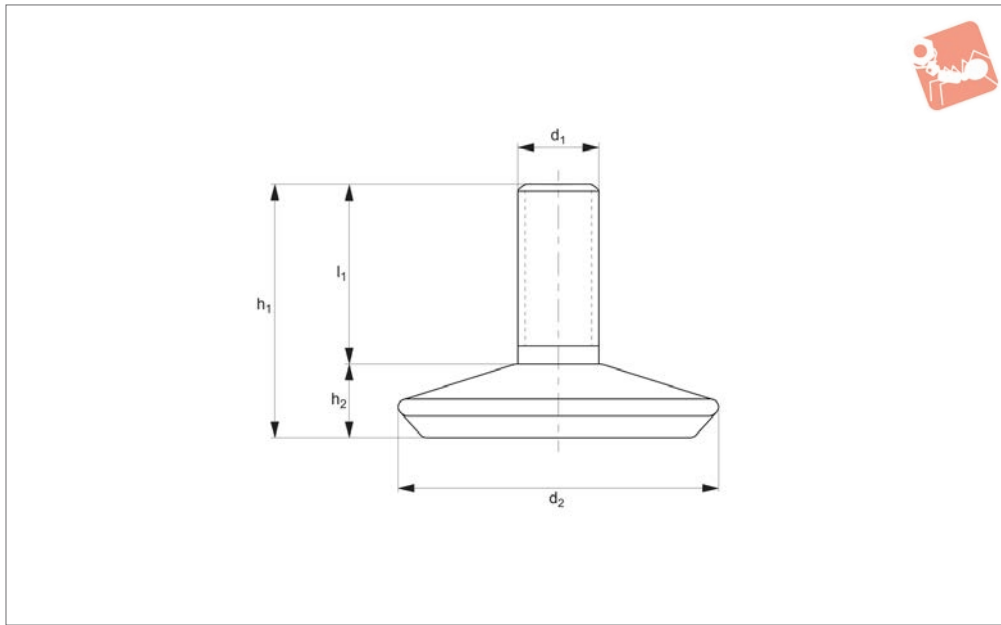
Order No.	d_1	d_2	l_1	h_1	h_2	h_3	Static load N
34631.W1003	M10	40	40	58.0	18.0	11.5	3500
34631.W1004	M10	40	60	78.0	18.0	11.5	3500
34631.W1005	M10	50	40	60.0	20.0	13.5	4500
34631.W1006	M10	50	60	80.0	20.0	13.5	4500
34631.W1000	M10	26	10	26.5	16.5	11.5	1500
34631.W1001	M10	26	20	36.5	16.5	11.5	1500
34631.W1002	M10	26	30	46.5	16.5	11.5	1500



Mini Levelling Feet

steel with plastic base

Levelling Feet



34641

LEVELLING FEET

Material

Galvanised steel stud with plastic base, with chromate case.

Technical Notes

When vibrations or dynamic loads are present these values should be reduced.

Order No.	d ₁	d ₂	l	h ₁	h ₂	Static load N
34641.W0600	M 6	20	13	20.0	7.0	1000
34641.W0800	M 8	25	20	30.0	10.0	1500
34641.W0801	M 8	30	20	31.5	11.5	2000
34641.W0802	M 8	40	25	38.5	13.5	2800
34641.W1000	M10	25	20	30.0	10.0	1500
34641.W1001	M10	30	20	31.5	11.5	2000
34641.W1002	M10	40	25	38.5	13.5	2800
34641.W1003	M10	50	30	45.5	15.5	3800
34641.W1200	M12	50	30	50.5	15.5	3800



A Range of features to suit your application

Product selection

To ensure you select the most suitable levelling feet for your application consider the following questions:

- Tilting or fixed?
- Material required - steel, stainless or plastic?
- Load carrying capacity - light, medium or heavy duty?
(Review the quoted load capacities in the individual product tables).
- Bolt down feature required?
- Threaded or plastic insert required for mounting?
- Optional extras: hygiene seal, rubber pad, (subject to minimum quantity and selected model).

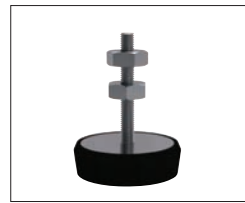
Key types



Fixed feet



Articulating levelling feet



Machine mounts



Fulcrum screw

Available features



Articulation



Standard nylon base



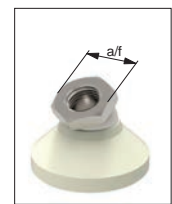
Anti-slip base



Bolt down base



Hygienic seal



Hex for easy installation

Materials



Steel thread - Nylon base



Stainless thread - Nylon base



Steel thread - Steel base



Stainless thread - Stainless base

Mounting inserts



Weldable insert



Hollow section insert



Hollow section bushed insert

Additional technical information



▶ For applications under greater loads and requiring increased precision of adjustment see our range of Precision Height Adjusters.

▶ For applications exposed to extreme vibrations see our range of Anti-Vibration Mounts.

