

34900

MACHINE MOUNTS

Material

Steel body with silver zinc plated thread.
Synthetic rubber pad (65-70 Shore A) with

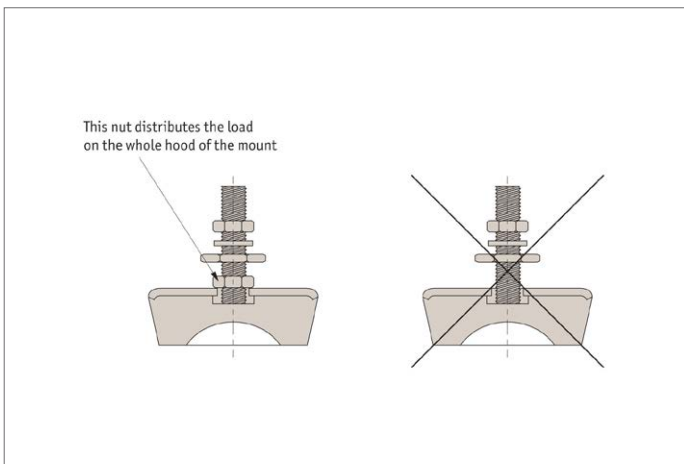
anti-slide cavity.

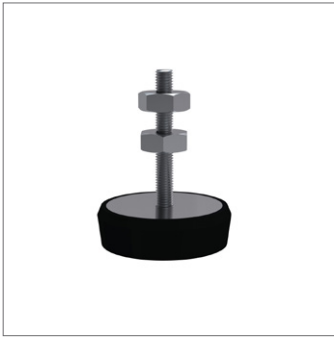
vibrations and for irregular floors.

Technical Notes

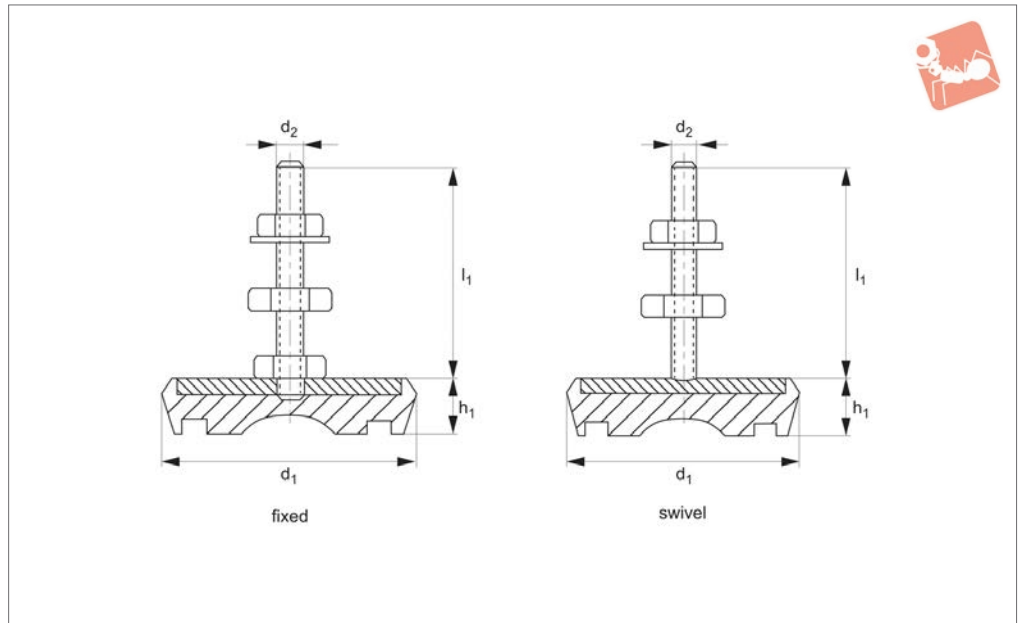
Suitable for machinery with low frequency

Order No.	d ₁	h ₁	d ₂	l ₁	Load range kgf
34900.W0048	48	23	M 8	40	0-80
34900.W0060	60	25	M10	83	50-120
34900.W0075	75	30	M12	90	80-150
34900.W0090	90	33	M12	90	120-300
34900.W0105	105	38	M16	110	250-500
34900.W0125	125	45	M16	110	400-800
34900.W0150	150	55	M16	110	600-1000
34900.W0170	170	57	M16	110	1000-1600
34900.W0187	187	70	M20	115	1400-2400
34900.W0210	210	75	M20	115	2000-3500





34910



Material

Steel body with zinc plated thread.
Synthetic rubber base (65 Shore A), with anti-slide cavity.

Technical Notes

Suitable for medium and high frequency

vibrations and with smooth floors.

Tips

For inclined floors use the swivel base versions (M12 and M16).
The swivel base versions have a separate screw which rests in the concave cup on the

top portion of the foot body.

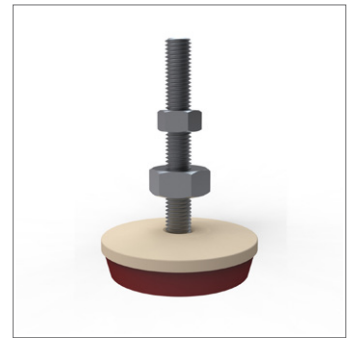
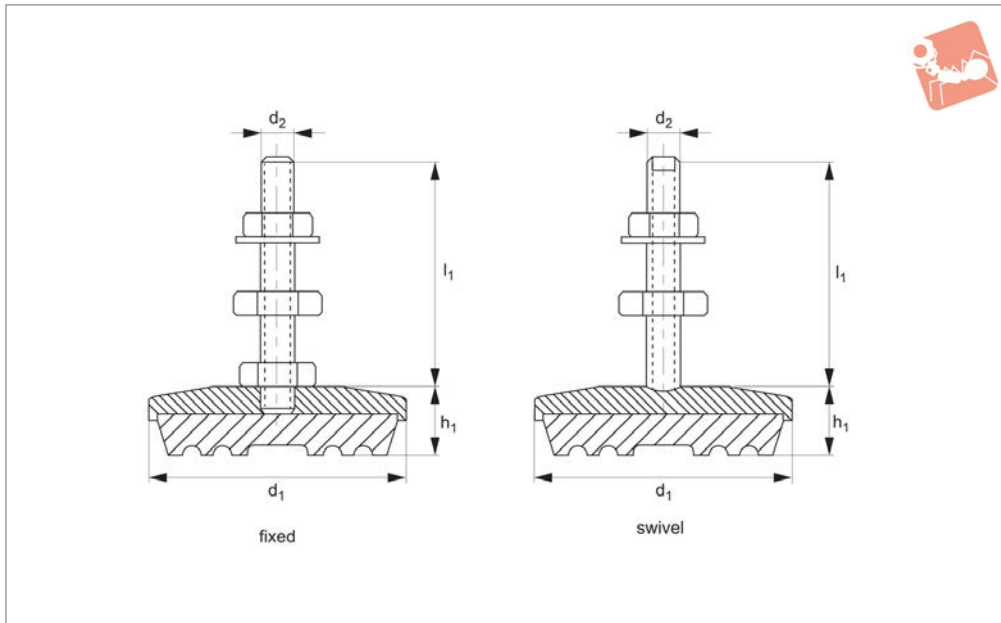
Order No.	Style	d_1	h_1	d_2	l_1	Load range kgf
34910.W0040	Fixed	40	15	M 8	40	0-60
34910.W0063	Fixed	63	18	M10	83	30-100
34910.W0070	Fixed	70	22	M12	90	80-150
34910.W0090	Fixed	90	25	M12	90	100-350
34910.W0106	Fixed	106	29	M16	110	300-600
34910.W0127	Fixed	127	33	M16	110	500-900
34910.W0150	Fixed	150	39	M16	110	800-1500
34910.W0170	Fixed	170	42	M16	110	1300-2000
34910.W0370	Swivel	70	22	M12	90	80-150
34910.W0390	Swivel	90	26	M12	90	100-350
34910.W0406	Swivel	106	32	M16	110	300-600
34910.W0427	Swivel	127	33	M16	110	500-900
34910.W0450	Swivel	150	39	M16	110	800-1500
34910.W0470	Swivel	170	42	M16	110	1300-2000



Heavy Duty Machine Mounts

polyurethane base

Machine Mounts



34930

MACHINE MOUNTS

Material

Steel (GGG-40) coated body with zinc plated thread. Polyurethane base (65-90 Shore A).

deflection and maximum adherence due to shape of base.

Resistant to water, oil, high and low temperatures, abrasions and shocks.

tions where there is high risk of deterioration due to oil and other substances.

Also available in stainless steel - see product number 34990.

Technical Notes

High resistance machine mounts, little

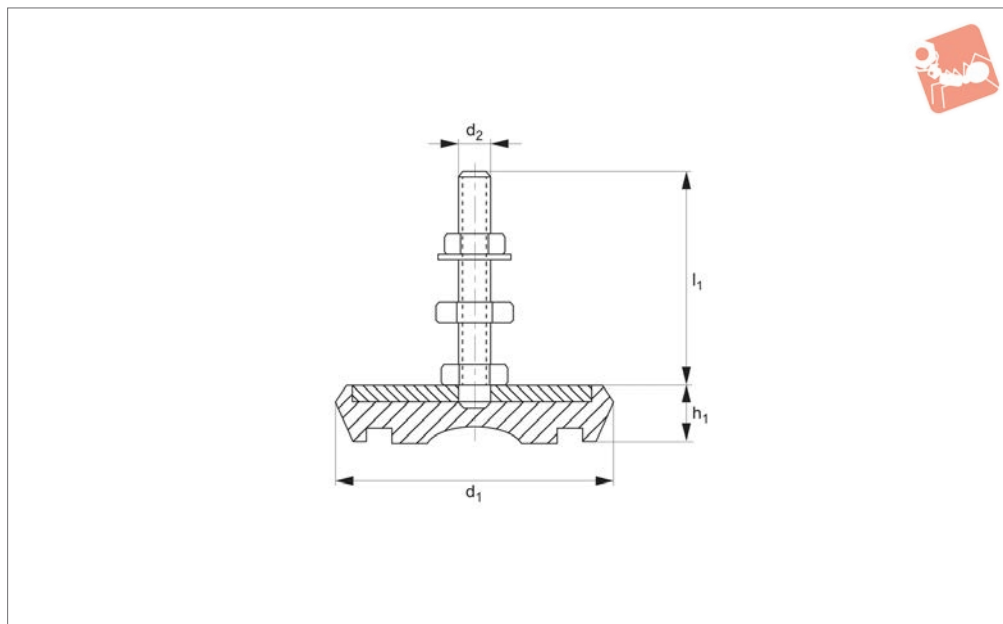
Tips

Suitable for heavy machining and condi-

Order No.	Style	d ₁	h ₁	d ₂	l ₁	Load range kgf
34930.W0065	Fixed	65	22	M12	90	200-800
34930.W0100	Fixed	100	30	M16	110	800-2000
34930.W0120	Fixed	120	33	M20	120	2000-4000
34930.W0180	Fixed	180	40	M20	115	4000-6000
34930.W0217	Fixed	217	52	M24	145	5000-10000
34930.W0400	Swivel	100	30	M16	95	500-2000
34930.W0420	Swivel	120	33	M20	120	2000-4000
34930.W0480	Swivel	180	40	M20	130	4000-6000
34930.W0617	Swivel	217	52	M24	150	5000-10000



34980



Material

Stainless steel body and thread (A2, AISI 304), with rubber base (65 Shore A).

Technical Notes

Suitable for medium and high frequency vibrations and with smooth floors.

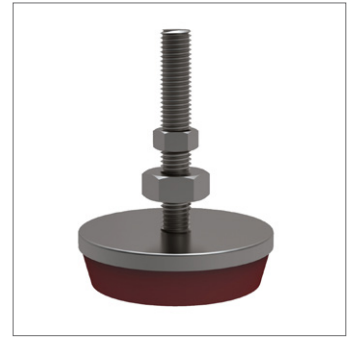
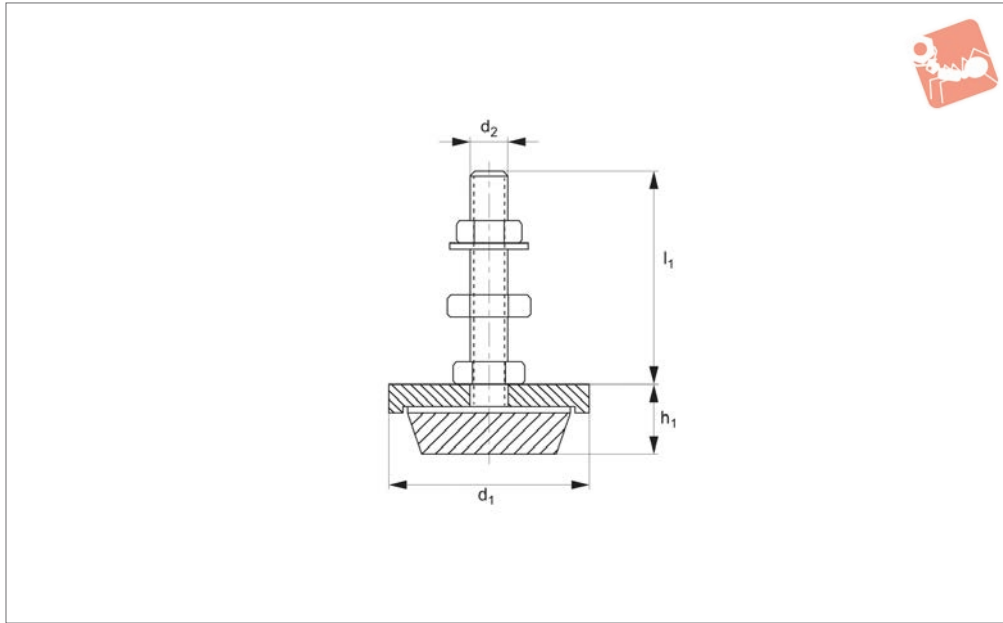
Order No.	d ₁	h ₁	d ₂	l ₁	Load range kgf
34980.W0040	40	15	M 8	40	0-60
34980.W0063	63	18	M10	83	30-100
34980.W0070	70	22	M12	90	80-150
34980.W0090	90	25	M12	90	100-350
34980.W0106	106	29	M16	110	300-600
34980.W0127	127	33	M16	110	500-900
34980.W0150	150	39	M16	110	800-1500
34980.W0170	170	42	M16	110	1300-2000



Stainless Machine Mounts

polyurethane base

Machine Mounts



34990

MACHINE MOUNTS

Material

Stainless steel body and thread (A2, AISI 304), with hard polyurethane base (80 Shore A).

Technical Notes

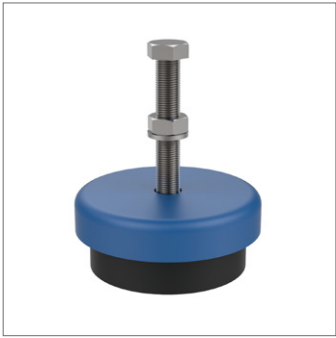
Ideally suited for food and pharmaceutical

applications. The hard polyurethane base is resistant to aggressive oils and chemicals.

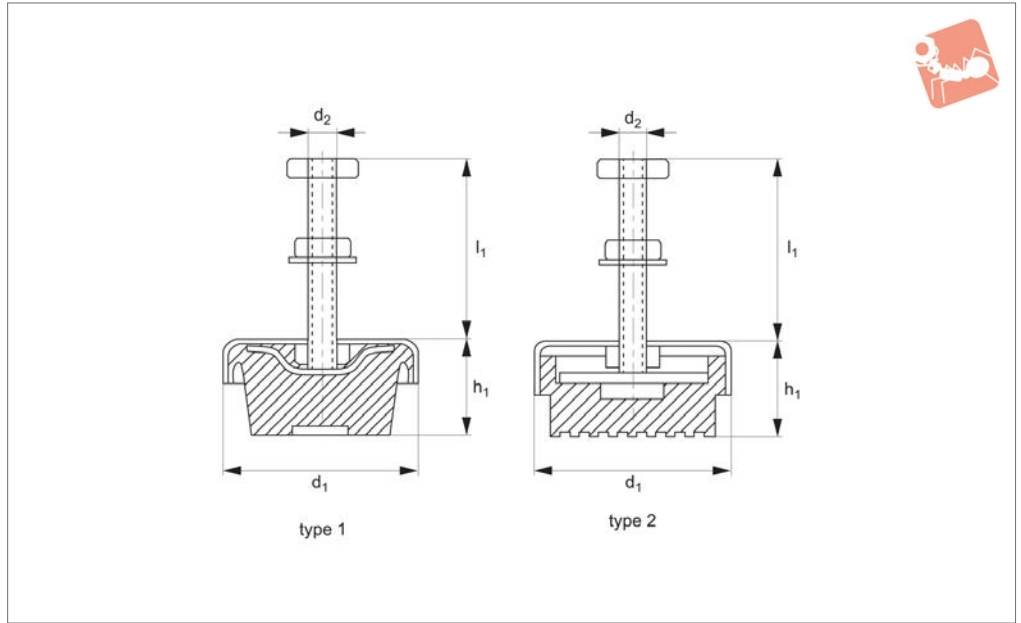
Tips

The polyurethane base 80 Shore A also ensures very heavy load carrying capacity.

Order No.	d ₁	h ₁	d ₂	l ₁	Load range kgf
34990.W0120	120	33	M16	110	2000-4000



34940



Material

Coated steel body with special bowl shape to protect against corrosion. Synthetic rubber base (75 Shore A).

Technical Notes

Provides long life and outstanding stability.

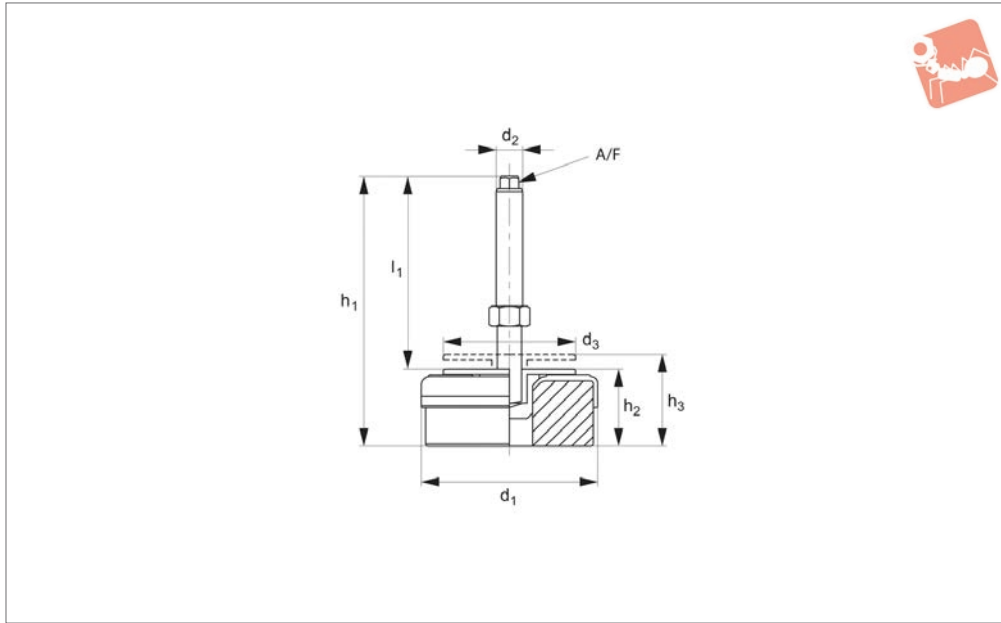
Great adherence to the floor, due to excellent grip property. Quick and easy to install - for machine levelling.

Tips

Suitable for heavy machinery with strong vibration/impact such as plastic injection

moulding machines, presses, guillotines etc.

Order No.	Type	d ₁	h ₁	d ₂	l ₁	Load range kgf
34940.W0050	Type 1	50	24	M 8	40	0-100
34940.W0075	Type 1	75	35	M10	65	100-350
34940.W0085	Type 2	85	40	M12	80	350-600
34940.W0090	Type 2	90	49	M16	100	600-900
34940.W0125	Type 2	125	52	M16	115	1000-2500
34940.W0170	Type 2	170	57	M20	110	2500-4000



34950

MACHINE MOUNTS

Material

Galvanized steel, with rubber pad (90 Shore A).

Technical Notes

Provides great levelling accuracy, with its

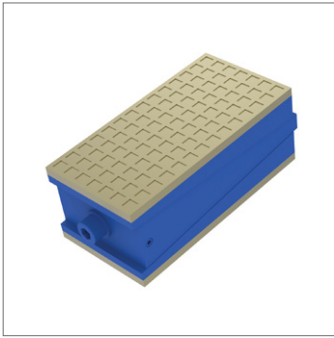
fine pitch thread. Can take very high horizontal loads.

Tips

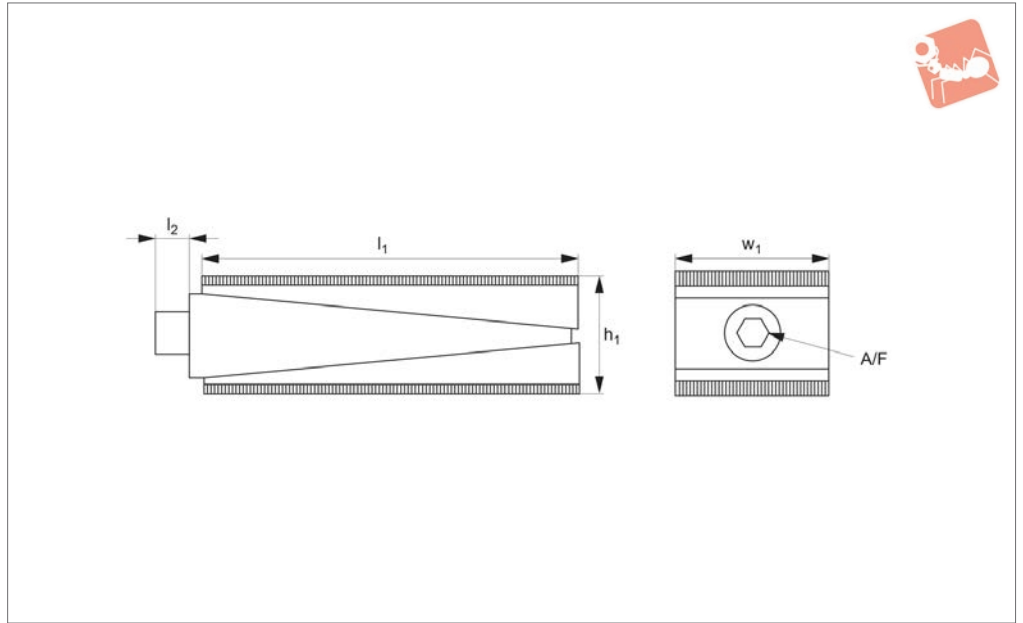
Suitable for heavy machinery with strong vibration/impacts, such as plastic injection

moulding machines, presses, guillotines etc. Do not raise higher than the max height (h_3).

Order No.	d_1	h_1	d_2	d_3	l_1	h_2	h_3	A/F	Dynamic load kgf	Static load kgf
34950.W0080	80	130	M12x1,25	54	90	40	50	8	250	500
34950.W0120	120	130	M16x1,5	80	85	45	58	12	400	1000
34950.W0160	160	190	M20x1,5	102	136	54	68	15	900	2000
34950.W0200	200	195	M20x1,5	102	136	60	75	15	1500	3500



34960



Material

Cast body, coated, with rubber base (65 Shore A) or harder polyurethane base (90 Shore A).

heavy loads. Adjustment by means of allen key on side.
Adjustment is $\pm 5\text{mm}$ or $\pm 10\text{mm}$ depending on version selected - see table.

Tips

The rubber base versions have lower load carrying capacity but are less expensive than the polyurethane versions.
Studded version available on the website.

Technical Notes

For leveling and vibration dampening of

Order No.	h_1	l_1	w_1	l_2	A/F	Base material	Load range kgf
34960.W0150	60±5	150	75	12	12	Rubber	500 - 1000
34960.W0151	60±5	150	75	12	12	Polyurethane	700 - 2500
34960.W0220	70±10	200	100	12	12	Rubber	1500 - 3000
34960.W0221	70±10	200	100	12	12	Polyurethane	3000 - 6000