

## 34940

MACHINE MOUNTS

### Material

Coated steel body with special bowl shape to protect against corrosion. Synthetic rubber base (75 Shore A).

### Technical Notes

Provides long life and outstanding stability.

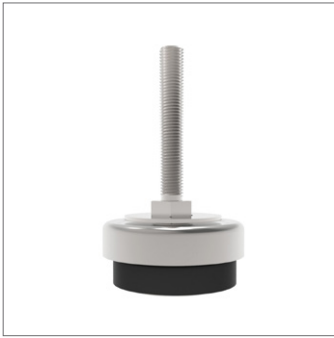
Great adherence to the floor, due to excellent grip property. Quick and easy to install - for machine levelling.

### Tips

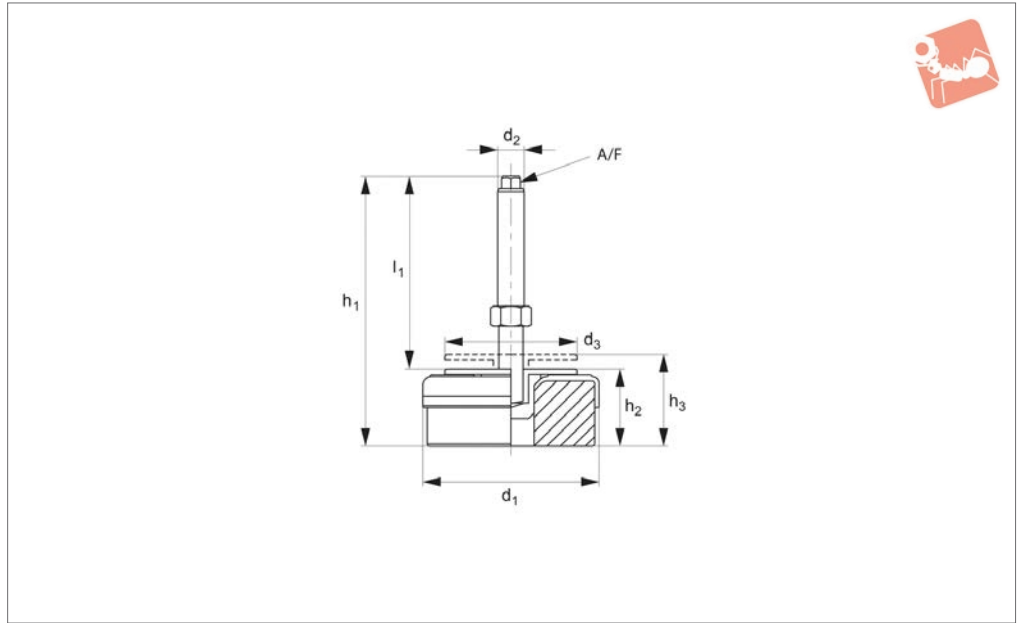
Suitable for heavy machinery with strong vibration/impact such as plastic injection

moulding machines, presses, guillotines etc.

Order No.	Type	d <sub>1</sub>	h <sub>1</sub>	d <sub>2</sub>	l <sub>1</sub>	Load range kgf
34940.W0050	Type 1	50	24	M 8	40	0-100
34940.W0075	Type 1	75	35	M10	65	100-350
34940.W0085	Type 2	85	40	M12	80	350-600
34940.W0090	Type 2	90	49	M16	100	600-900
34940.W0125	Type 2	125	52	M16	115	1000-2500
34940.W0170	Type 2	170	57	M20	110	2500-4000



34950



**Material**

Galvanized steel, with rubber pad (90 Shore A).

**Technical Notes**

Provides great levelling accuracy, with its

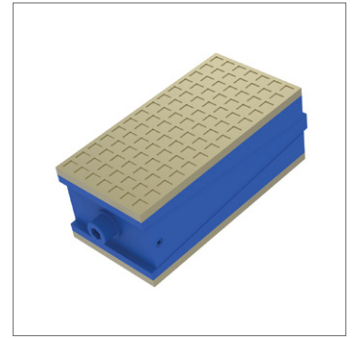
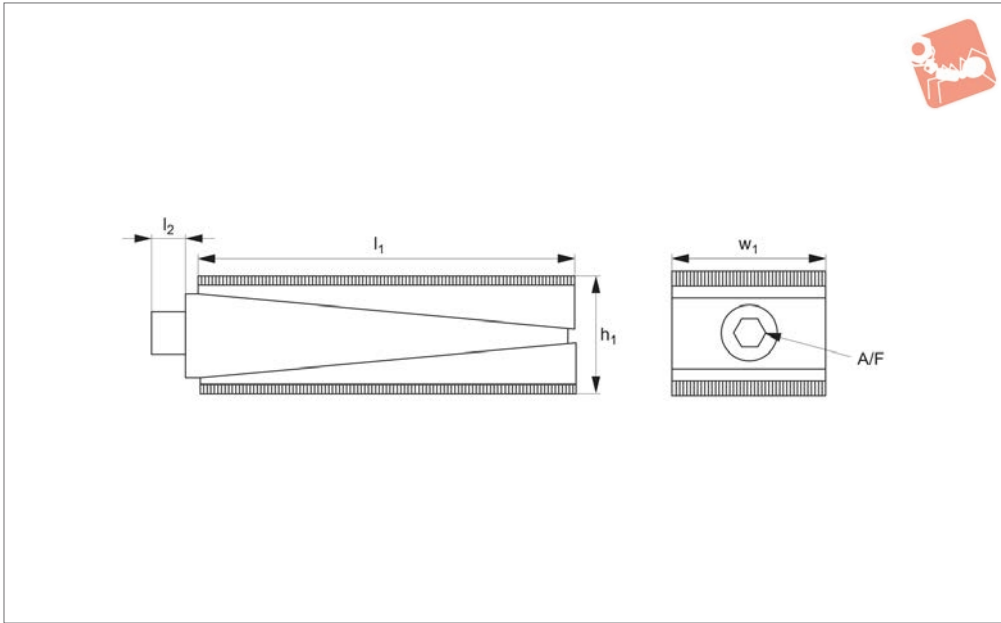
fine pitch thread. Can take very high horizontal loads.

**Tips**

Suitable for heavy machinery with strong vibration/impacts, such as plastic injection

moulding machines, presses, guillotines etc. Do not raise higher than the max height ( $h_3$ ).

Order No.	$d_1$	$h_1$	$d_2$	$d_3$	$l_1$	$h_2$	$h_3$	A/F	Dynamic load kgf	Static load kgf
34950.W0080	80	130	M12x1,25	54	90	40	50	8	250	500
34950.W0120	120	130	M16x1,5	80	85	45	58	12	400	1000
34950.W0160	160	190	M20x1,5	102	136	54	68	15	900	2000
34950.W0200	200	195	M20x1,5	102	136	60	75	15	1500	3500



34960

MACHINE MOUNTS

**Material**

Cast body, coated, with rubber base (65 Shore A) or harder polyurethane base (90 Shore A).

heavy loads. Adjustment by means of allen key on side. Adjustment is  $\pm 5\text{mm}$  or  $\pm 10\text{mm}$  depending on version selected - see table.

**Tips**

The rubber base versions have lower load carrying capacity but are less expensive than the polyurethane versions. Studded version available on the website.

**Technical Notes**

For leveling and vibration dampening of

Order No.	$h_1$	$l_1$	$w_1$	$l_2$	A/F	Base material	Load range kgf
34960.W0150	60±5	150	75	12	12	Rubber	500 - 1000
34960.W0151	60±5	150	75	12	12	Polyurethane	700 - 2500
34960.W0220	70±10	200	100	12	12	Rubber	1500 - 3000
34960.W0221	70±10	200	100	12	12	Polyurethane	3000 - 6000