

62000

PRECISION LEVELLING ADJUSTERS

Material

Steel (type 42 CrMo4 V, 1.7225) zinc plated or stainless steel A1 (A4 on request).

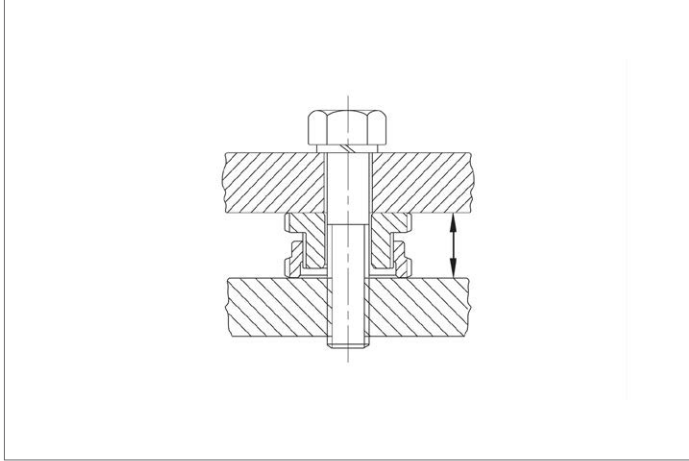
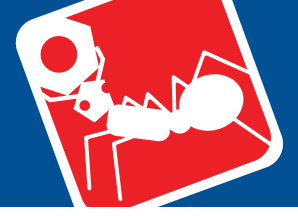
Technical Notes

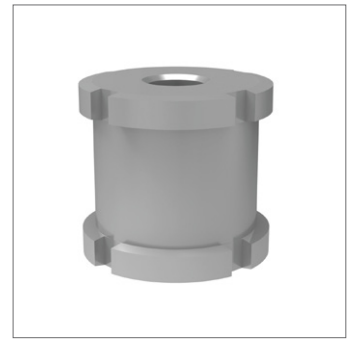
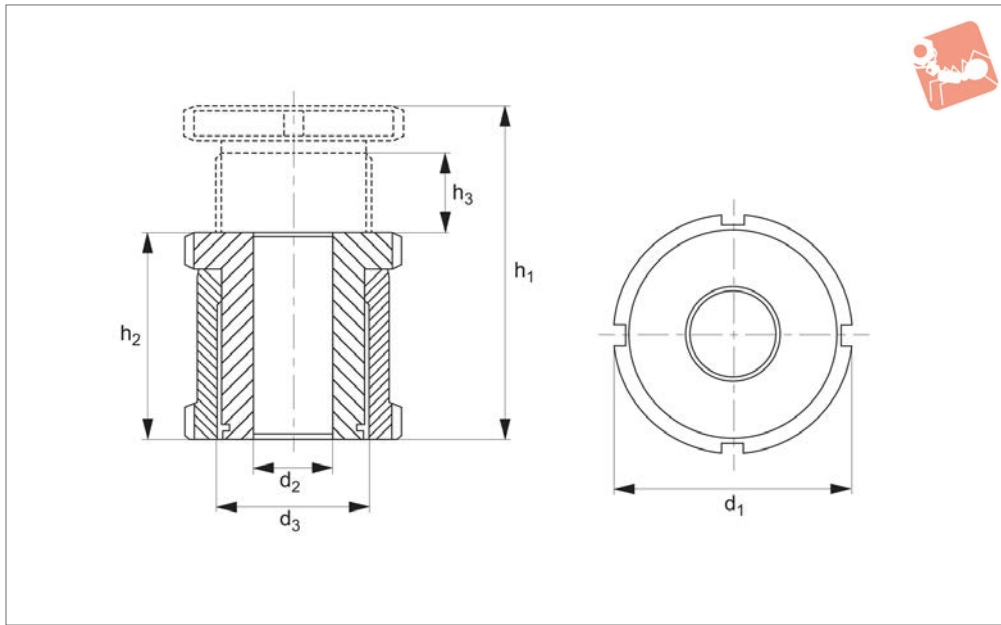
After setting the height, the structure can be bolted down using a suitable 8,8

strength bolt.

The net load that the unit can carry is the maximum load less the tightening torque recommended for the bolt. Designed for applications with limited space. Height adjustment is between 4 and 10mm.

Order No.	Material	For bolt	h_1	h_2	h_3	d_1	d_2	d_3	Load with bolt kN max.	Load w/o bolt kN max.
62000.W0038	Steel	M 4	19	15	4	25	4.5	M15x1,0	36.00	40.0
62000.W0039	Steel	M 5	19	15	4	25	5.5	M15x1,0	33.40	40.0
62000.W0040	Steel	M 6	19	15	4	25	6.6	M15x1,0	30.70	40.0
62000.W0050	Steel	M 6	23	18	5	32	6.6	M20x1,0	55.70	65.0
62000.W0051	Steel	M 8	23	18	5	32	9.0	M20x1,0	48.00	65.0
62000.W0052	Steel	M10	23	18	5	32	11.0	M20x1,0	37.90	65.0
62000.W0070	Steel	M10	29	22	7	45	11.0	M30x1,5	92.90	120.0
62000.W0071	Steel	M12	29	22	7	45	13.5	M30x1,5	80.40	120.0
62000.W0072	Steel	M16	29	22	7	45	17.5	M30x1,5	45.50	120.0
62000.W0090	Steel	M16	37	28	9	58	17.5	M40x1,5	136.00	210.0
62000.W0091	Steel	M20	37	28	9	58	22.0	M40x1,5	90.00	210.0
62000.W0092	Steel	M24	37	28	9	58	26.0	M40x1,5	37.00	210.0
62000.W0100	Steel	M20	43	33	10	70	22.0	M50x1,5	210.00	330.0
62000.W0101	Steel	M24	43	33	10	70	26.0	M50x1,5	157.00	330.0
62000.W0102	Steel	M30	43	33	10	70	33.0	M50x1,5	53.00	330.0
62000.W0502	Stainless steel	M 4	19	15	4	25	4.5	M15x1,0	24.14	27.1
62000.W0503	Stainless steel	M 5	19	15	4	25	5.5	M15x1,0	22.24	27.1
62000.W0504	Stainless steel	M 6	19	15	4	25	6.6	M15x1,0	20.26	27.1
62000.W0550	Stainless steel	M 6	23	18	5	32	6.6	M20x1,0	36.56	43.4
62000.W0551	Stainless steel	M 8	23	18	5	32	9.0	M20x1,0	30.86	43.4
62000.W0552	Stainless steel	M10	23	18	5	32	11.0	M20x1,0	23.41	43.4
62000.W0570	Stainless steel	M10	29	22	7	45	11.0	M30x1,5	64.01	84.0
62000.W0571	Stainless steel	M12	29	22	7	45	13.5	M30x1,5	54.82	84.0
62000.W0572	Stainless steel	M16	29	22	7	45	17.5	M30x1,5	28.90	84.0
62000.W0590	Stainless steel	M16	37	28	9	58	17.5	M40x1,5	92.90	148.0
62000.W0591	Stainless steel	M20	37	28	9	58	22.0	M40x1,5	59.08	148.0
62000.W0592	Stainless steel	M24	37	28	9	58	26.0	M40x1,5	20.30	148.0
62000.W0600	Stainless steel	M20	43	33	10	70	22.0	M50x1,5	136.08	225.0
62000.W0601	Stainless steel	M24	43	33	10	70	26.0	M50x1,5	97.30	225.0
62000.W0602	Stainless steel	M30	43	33	10	70	33.0	M50x1,5	20.60	225.0





62060

PRECISION LEVELLING ADJUSTERS

Material

Steel (type 42 CrMo4 V, 1.7225) zinc plated or stainless steel A1 (A4 on request).

Technical Notes

After setting the height, the structure can be bolted down using a suitable 8,8

strength bolt.

The net load that the unit can carry is the maximum load less the tightening torque recommended for the bolt. Designed for applications where a wide adjustment range is required - height adjustment is

equal to 15 to 40mm.

Order No.	Material	For bolt	h_1	h_2	h_3	d_1	d_2	d_3	Load with bolt kN max.	Load w/o bolt kN max.
62060.W0013	Steel	M 4	43	28	15	25	4.5	M15x1,0	36.00	40.00
62060.W0014	Steel	M 5	43	28	15	25	5.5	M15x1,0	33.40	40.00
62060.W0015	Steel	M 6	43	28	15	25	6.6	M15x1,0	30.70	40.00
62060.W0021	Steel	M 6	55	35	20	32	6.6	M20x1,0	55.70	65.00
62060.W0022	Steel	M 8	55	35	20	32	9.0	M20x1,0	48.00	65.00
62060.W0023	Steel	M10	55	35	20	32	11.0	M20x1,0	37.90	65.00
62060.W0025	Steel	M10	67	42	25	45	11.0	M30x1,5	92.90	120.00
62060.W0026	Steel	M12	67	42	25	45	13.5	M30x1,5	80.40	120.00
62060.W0027	Steel	M16	67	42	25	45	17.5	M30x1,5	45.50	120.00
62060.W0030	Steel	M16	86	54	32	58	17.5	M40x1,5	136.00	210.00
62060.W0031	Steel	M20	86	54	32	58	22.0	M40x1,5	90.00	210.00
62060.W0032	Steel	M24	86	54	32	58	26.0	M40x1,5	37.00	210.00
62060.W0040	Steel	M20	106	66	40	70	22.0	M50x1,5	210.00	330.00
62060.W0041	Steel	M24	106	66	40	70	26.0	M50x1,5	157.00	330.00
62060.W0042	Steel	M30	106	66	40	70	33.0	M50x1,5	53.00	330.00
62060.W0513	Stainless steel	M 4	43	28	15	25	4.5	M15x1,0	24.14	27.10
62060.W0514	Stainless steel	M 5	43	28	15	25	5.5	M15x1,0	22.24	27.10
62060.W0515	Stainless steel	M 6	43	28	15	25	6.6	M15x1,0	20.26	27.10
62060.W0521	Stainless steel	M 6	55	35	20	32	6.6	M20x1,0	36.56	43.40
62060.W0522	Stainless steel	M 8	55	35	20	32	9.0	M20x1,0	30.86	43.40
62060.W0523	Stainless steel	M10	55	35	20	32	11.0	M20x1,0	23.41	43.40
62060.W0525	Stainless steel	M10	67	42	25	45	11.0	M30x1,5	64.01	84.00
62060.W0526	Stainless steel	M12	67	42	25	45	13.5	M30x1,5	54.82	84.00
62060.W0527	Stainless steel	M16	67	42	25	45	17.5	M30x1,5	28.90	84.00
62060.W0530	Stainless steel	M16	86	54	32	58	17.5	M40x1,5	92.90	148.00
62060.W0531	Stainless steel	M20	86	54	32	58	22.0	M40x1,5	59.08	148.00
62060.W0532	Stainless steel	M24	86	54	32	58	26.0	M40x1,5	20.30	148.00
62060.W0540	Stainless steel	M20	106	66	40	70	22.0	M50x1,5	136.08	225.00
62060.W0541	Stainless steel	M24	106	66	40	70	26.0	M50x1,5	97.30	225.00
62060.W0542	Stainless steel	M30	106	66	40	70	33.0	M50x1,5	20.60	225.00

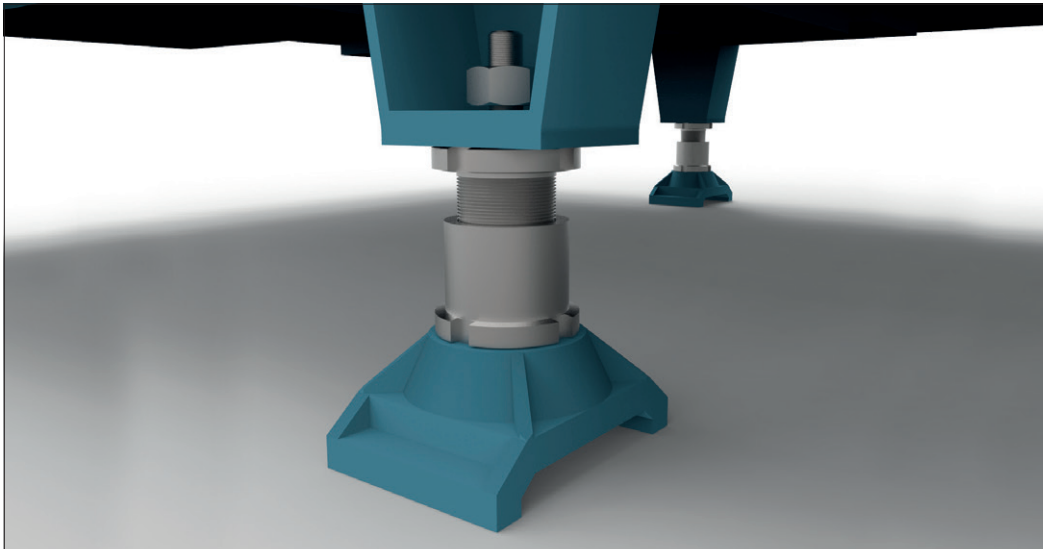




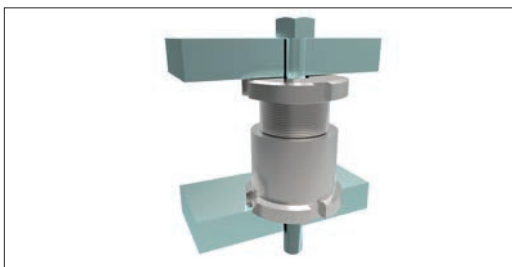
Advantages

- Precision adjusting and re-adjusting.
- Operational under heavy loads.
- Fast installation.
- Greater vertical alignment (from 4 to 105mm).
- Compensation for non-parallel bearing surfaces.
- Suitable for static and dynamic loads.
- Can be anchored to foundation.

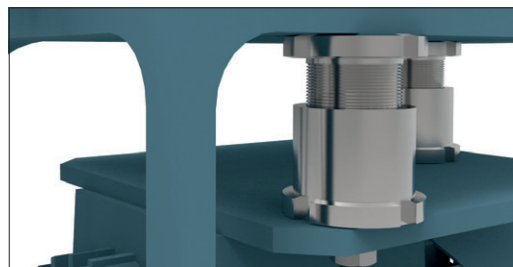
Applications



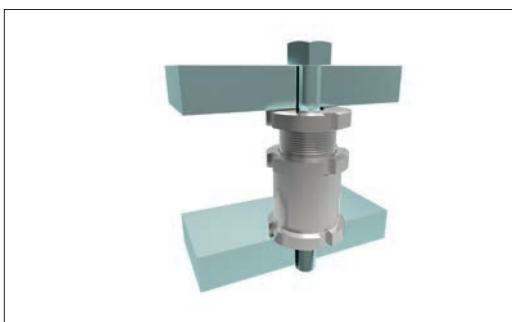
Grounded field mount - Precision Leveller no. 62060 in use on a fully metal encapsulated gas-insulated high voltage switch.



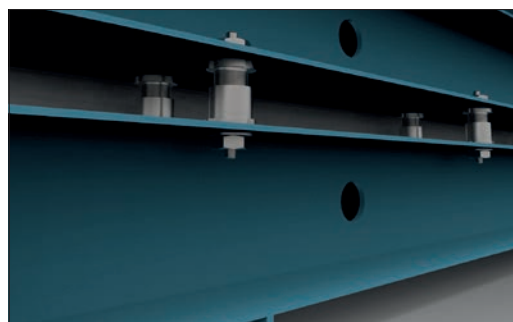
Test stand - Precision Levellers provide adjustment for the connection shaft between motor and transmission.



Drive train application - in this application Wixroyd Precision Levellers are used to adjust the rig to ensure correct tension of the V-belt, and to provide full support of the top mounted electric drive motor.



Plummer blocks - even multiple bearings can be levelled easily and precisely, here part no. 62000 is in use.



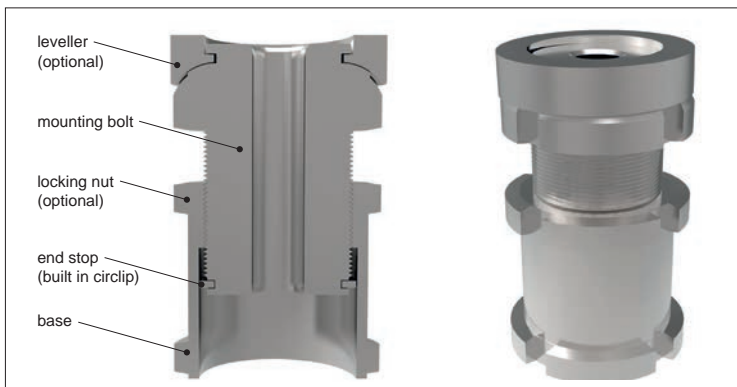
Extruder - precision adjustment of an extruder with leveller no. 62008.



Design features

Wixroyd Precision Levelling Adjusters enable accurate levelling, locating and adjusting of motors, machinery and much more, under heavy loads.

There are three key features to the design, firstly the fine threaded mounting bolt, secondly the threaded nut base and thirdly the end-stop. The fine thread of the mounting bolt and base provides precise adjustment, as well as easy re-adjustment by means of a hook spanner to DIN 1810A, see part no. 95400.



Product range



62000 - Designed for applications with limited space - height adjustment is between 4 and 14mm.



62040 - Designed for applications requiring both height adjustment (from 4 to 14mm) and precise adjustment of non-parallel surfaces, with a maximum angle of tilt 4°.



62060 - Designed for applications where a wide adjustment range is required - height adjustment equal to 15 to 55mm.



62080 - Designed for applications with a dynamic load, or where no fasteners are used. The locknut enables locking of the adjuster in the pre-set position.



62100 - For applications requiring both height adjustment (from 15 to 55mm) and precise adjustment of non-parallel surfaces, with a max. angle of tilt 4°.



62120 - The same features as part number 62100, but with the added feature of a locknut to fix adjuster in any position.



62140/62160 - Designed for applications requiring precise adjustment of non-parallel surfaces, with a maximum angle tilt 4°. The ball shim has no height adjustment feature.

Adjusters vs. levellers

	Precision adjusters				Precision levellers			
Features	62000	62002	62040	62042	62060	62080	62100	62120
Adjustment travel 4-14mm	✓	✓	✓	✓				
Adjustment travel 15-55mm					✓	✓	✓	✓
Lock nut		✓		✓		✓		✓
Slope adjustment up to 4°			✓	✓			✓	✓
Captive screw feature	✓	✓	✓	✓	✓	✓	✓	✓