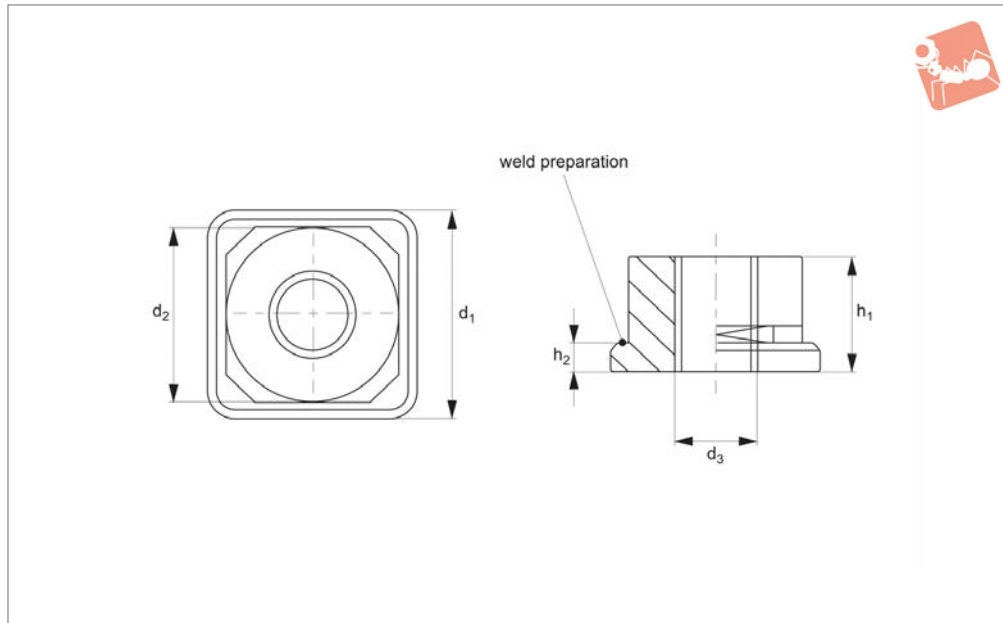




Weldable Threaded Insert

stainless steel

Threaded Frame Inserts



34670

THREADED FRAME INSERTS

Material

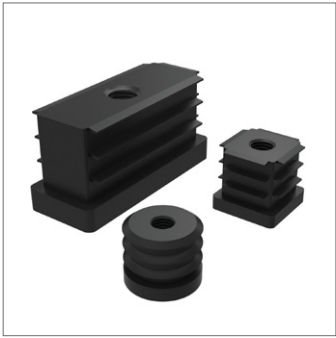
Stainless steel AISI 303.

Technical Notes

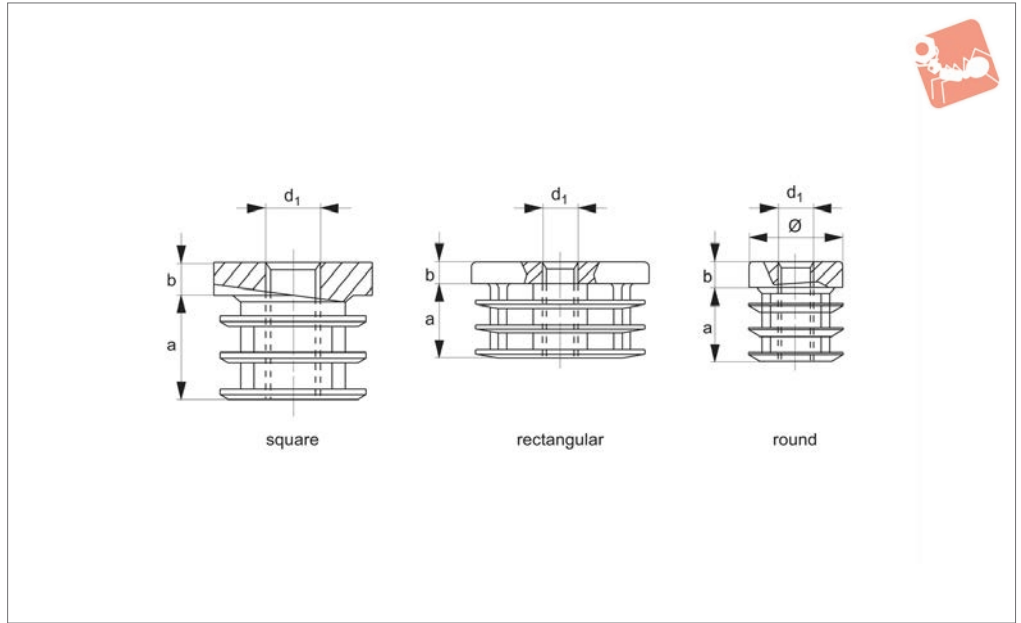
Ideal for fixing levelling feet to boxed section.

Order No.	Section size	Outerbox d ₁ (sq)	Innerbox d ₂	d ₃	h ₁	h ₂	Load capacity for static load kg max.
34670.W0030	30x30x2,0	30	26	M12	12	4	1500
34670.W0032	30x30x3,0	30	24	M12	12	4	1500
34670.W0033	30x30x3,0	30	24	M16	16	4	2000
34670.W0040	40x40x2,0	40	36	M16	16	5	2000
34670.W0041	40x40x2,0	40	36	M20	20	5	3000
34670.W0042	40x40x3,0	40	34	M16	16	5	2000
34670.W0043	40x40x3,0	40	34	M20	20	5	3000
34670.W0050	50x50x2,0	50	46	M16	16	6	2000
34670.W0051	50x50x2,0	50	46	M20	20	6	3000
34670.W0053	50x50x3,0	50	44	M16	16	6	2000
34670.W0054	50x50x3,0	50	44	M20	20	6	3000
34670.W0055	50x50x3,0	50	44	M24	24	6	4000





34680



THREADED FRAME INSERTS

Material

Thermoplastic, black. Moulded thread.

Tips

M 8 available on request, subject to minimum order quantity.

Technical Notes

For use with fixed feet.

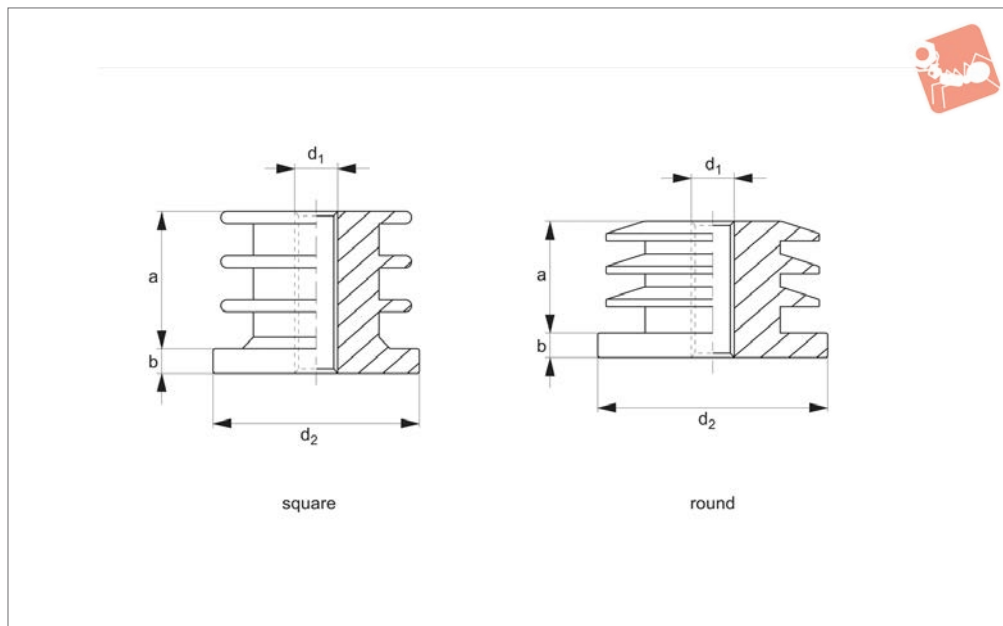
Order No.	Type	Tube size mm	d ₁	a	b
34680.W0015	Square	15x15	M 8	18	5
34680.W0016	Square	16x16	M 8	18	5
34680.W0018	Square	18x18	M10	18	5
34680.W0020	Square	20x20	M10	18	5
34680.W0022	Square	22x22	M10	18	5
34680.W0025	Square	25x25	M10	19	5
34680.W0030	Square	30x30	M10	20	6
34680.W0035	Square	35x35	M10	21	6
34680.W0040	Square	40x40	M10	22	6
34680.W0050	Square	50x50	M10	30	6
34680.W0130	Rectangular	20x30	M10	19	6
34680.W0135	Rectangular	20x35	M10	18	6
34680.W0140	Rectangular	20x40	M10	19	6
34680.W0150	Rectangular	20x50	M10	19	6
34680.W0160	Rectangular	20x60	M10	19	6
34680.W0170	Rectangular	25x50	M10	22	6
34680.W0218	Round	Ø 18	M10	18	6
34680.W0220	Round	Ø 20	M10	18	6
34680.W0222	Round	Ø 22	M10	19	6
34680.W0225	Round	Ø 25	M10	19	6
34680.W0228	Round	Ø 28	M10	19	6
34680.W0230	Round	Ø 30	M10	19	6
34680.W0232	Round	Ø 32	M10	19	6
34680.W0235	Round	Ø 35	M10	20	6
34680.W0240	Round	Ø 40	M10	21	6
34680.W0250	Round	Ø 50	M10	21	6



Threaded Plastic Insert

square & round inserts

Threaded Frame Inserts



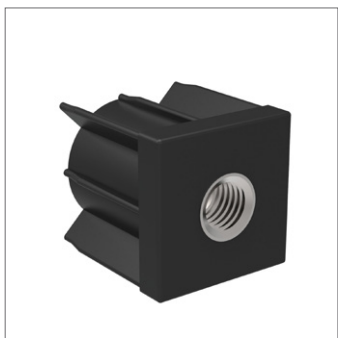
34681

THREADED FRAME INSERTS

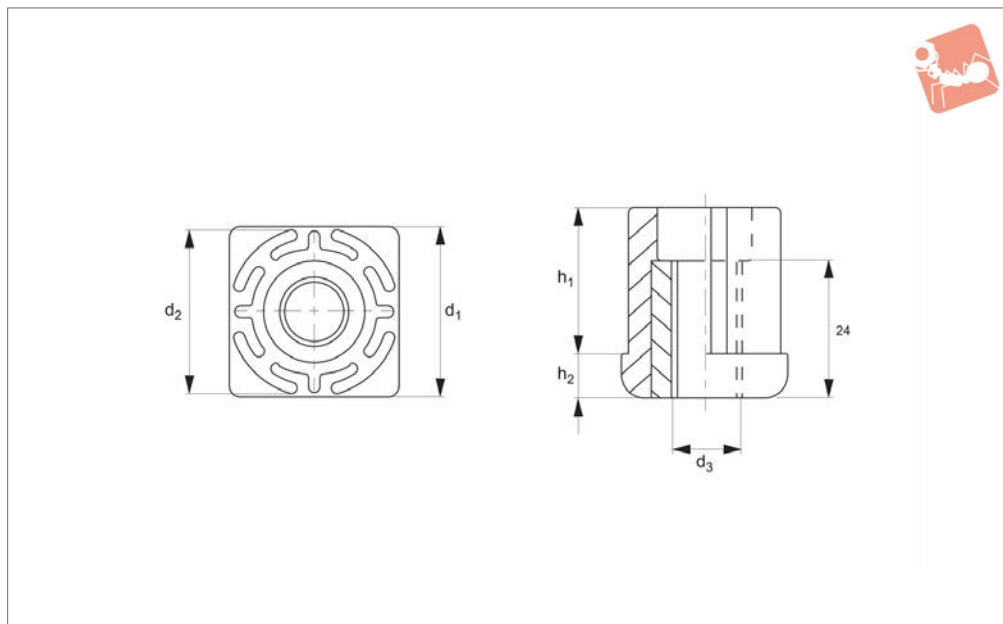
Material
Polyamide

Technical Notes
When vibrations or dynamic loads are present these values should be reduced.

Order No.	Type	d ₁	d ₂	a	b
34681.W0015	Square	M10	15x15	18	5
34681.W0016	Square	M10	16x16	18	5
34681.W0018	Square	M10	18x18	18	5
34681.W0020	Square	M10	20x20	18	5
34681.W0022	Square	M10	22x22	18	5
34681.W0025	Square	M10	25x25	19	5
34681.W0030	Square	M10	30x30	20	6
34681.W0035	Square	M10	35x35	21	6
34681.W0040	Square	M10	40x40	22	6
34681.W0050	Square	M10	50x50	30	7
34681.W0218	Round	M10	20	18	6
34681.W0222	Round	M10	22	19	6
34681.W0225	Round	M10	25	19	6
34681.W0228	Round	M10	28	19	6
34681.W0230	Round	M10	30	19	6
34681.W0232	Round	M10	32	19	6
34681.W0235	Round	M10	35	20	6
34681.W0240	Round	M10	40	20	6
34681.W0245	Round	M10	45	21	6
34681.W0250	Round	M10	50	21	6



34691



Material

Body: polyamide reinforced nylon.
Bush: brass, nickel plated.

Technical Notes

For use with levelling feet parts.

Order No.	Outerbox d_1	Innerbox d_2	d_3	h_1	h_2	Rec. load kg max.
34691.W0108	30x30x1,5	27	M 8	35	8	500
34691.W0110	30x30x1,5	27	M10	35	8	500
34691.W0112	30x30x1,5	27	M12	35	8	500
34691.W0116	30x30x1,5	27	M16	35	8	500
34691.W0208	40x40x1,5	37	M 8	35	8	1000
34691.W0210	40x40x1,5	37	M10	35	8	1000
34691.W0212	40x40x1,5	37	M12	35	8	1000
34691.W0216	40x40x1,5	37	M16	35	8	1000
34691.W0220	40x40x1,5	37	M20	35	8	1000
34691.W0308	40x40x2,0	36	M8	35	8	1000
34691.W0310	40x40x2,0	36	M10	35	8	1000
34691.W0312	40x40x2,0	36	M12	35	8	1000
34691.W0316	40x40x2,0	36	M16	35	8	1000
34691.W0320	40x40x2,0	36	M20	35	8	1000
34691.W0416	50x50x1,5	47	M16	45	10	1000
34691.W0420	50x50x1,5	47	M20	45	10	1200
34691.W0424	50x50x1,5	47	M24	45	10	1200
34691.W0516	50x50x2,0	46	M16	45	10	1200
34691.W0520	50x50x2,0	46	M20	45	10	1200
34691.W0524	50x50x2,0	46	M24	45	10	1200

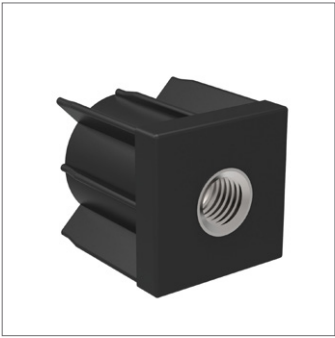


Threaded Plastic Inserts for Hollow with brass bush

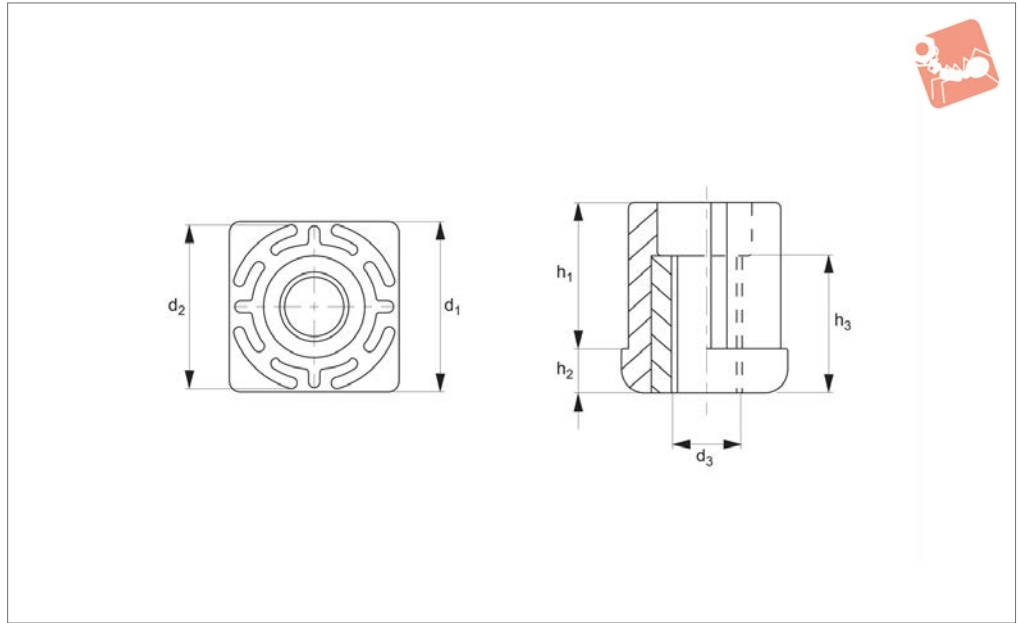
Threaded Frame Inserts



THREADED FRAME INSERTS



34692



Material

Bush: stainless steel, type AISI 303.

Moulding: polyamide reinforced nylon.

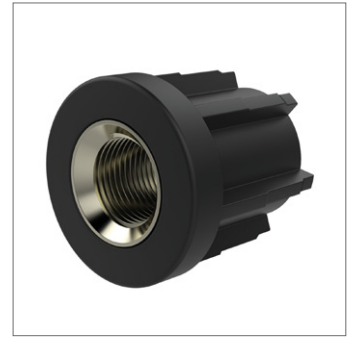
Order No.	Outerbox d_1	Innerbox d_2	d_3	h_1	h_2	h_3	Load capacity for static load kg max.
34692.W0610	30x30x1,5	27	M10	35	8	24	500
34692.W0612	30x30x1,5	27	M12	35	8	24	500
34692.W0616	30x30x1,5	27	M16	35	8	24	500
34692.W0710	40x40x1,5	37	M10	35	8	24	1000
34692.W0712	40x40x1,5	37	M12	35	8	24	1000
34692.W0716	40x40x1,5	37	M16	35	8	24	1000
34692.W0720	40x40x1,5	37	M20	35	8	24	1000
34692.W0810	40x40x2,0	36	M10	35	8	24	1000
34692.W0812	40x40x2,0	36	M12	35	8	24	1000
34692.W0816	40x40x2,0	36	M16	35	8	24	1000
34692.W0820	40x40x2,0	36	M20	35	8	24	1000
34692.W0916	50x50x1,5	47	M16	45	10	24	1200
34692.W0920	50x50x1,5	47	M20	45	10	24	1200
34692.W0924	50x50x1,5	47	M24	45	10	24	1200
34692.W0952	50x50x2,0	46	M16	45	10	24	1200
34692.W0954	50x50x2,0	46	M20	45	10	24	1200
34692.W0956	50x50x2,0	46	M24	45	10	24	1200



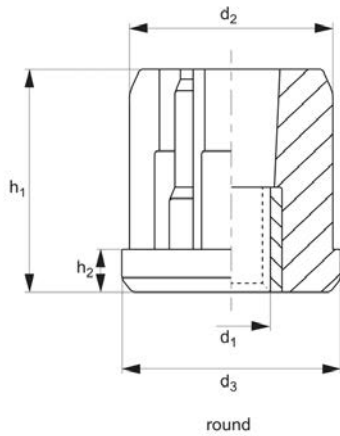
Threaded Plastic Insert - Round

with nickel plated brass bush

Threaded Frame Inserts



34693



Material

Moulding: polyamide, reinforced with fiber glass.

Insert: nickel-plated brass.

Notes -

Stainless steel inserts available on request.

Order No.	d ₁	d ₂	d ₃	h ₁	h ₂	Static load kN max.
34693.W0108	M8	28.5	30	35	6	3.2
34693.W0110	M10	28.5	30	35	6	3.2
34693.W0112	M12	28.5	30	35	6	3.2
34693.W0114	M14	28.5	30	35	6	3.2
34693.W0116	M16	28.5	30	35	6	3.2
34693.W0208	M8	35.5	38	43	8	5.5
34693.W0210	M10	35.5	38	43	8	5.5
34693.W0212	M12	35.5	38	43	8	5.5
34693.W0214	M14	35.5	38	43	8	5.5
34693.W0216	M16	35.5	38	43	8	5.5
34693.W0308	M8	39.5	42	42	8	6.5
34693.W0310	M10	39.5	42	42	8	6.5
34693.W0312	M12	39.5	42	42	8	6.5
34693.W0314	M14	39.5	42	42	8	6.5
34693.W0316	M16	39.5	42	42	8	6.5
34693.W0320	M20	39.5	42	42	8	6.5
34693.W0408	M8	45.5	48	49	11	8.0
34693.W0410	M10	45.5	48	49	11	8.0
34693.W0412	M12	45.5	48	49	11	8.0
34693.W0414	M14	45.5	48	49	11	8.0
34693.W0416	M16	45.5	48	49	11	8.0
34693.W0420	M20	45.5	48	49	11	8.0
34693.W0508	M8	47.5	50	49	11	8.5
34693.W0510	M10	47.5	50	49	11	8.5
34693.W0512	M12	47.5	50	49	11	8.5
34693.W0514	M14	47.5	50	49	11	8.5
34693.W0516	M16	47.5	50	49	11	8.5
34693.W0520	M20	47.5	50	49	11	8.5
34693.W0614	M14	57.5	60	50	12	10.0
34693.W0616	M16	57.5	60	50	12	10.0
34693.W0620	M20	57.5	60	50	12	10.0
34693.W0624	M24	57.5	60	50	12	10.0
34693.W0714	M14	56.5	60	50	12	10.0
34693.W0716	M16	56.5	60	50	12	10.0

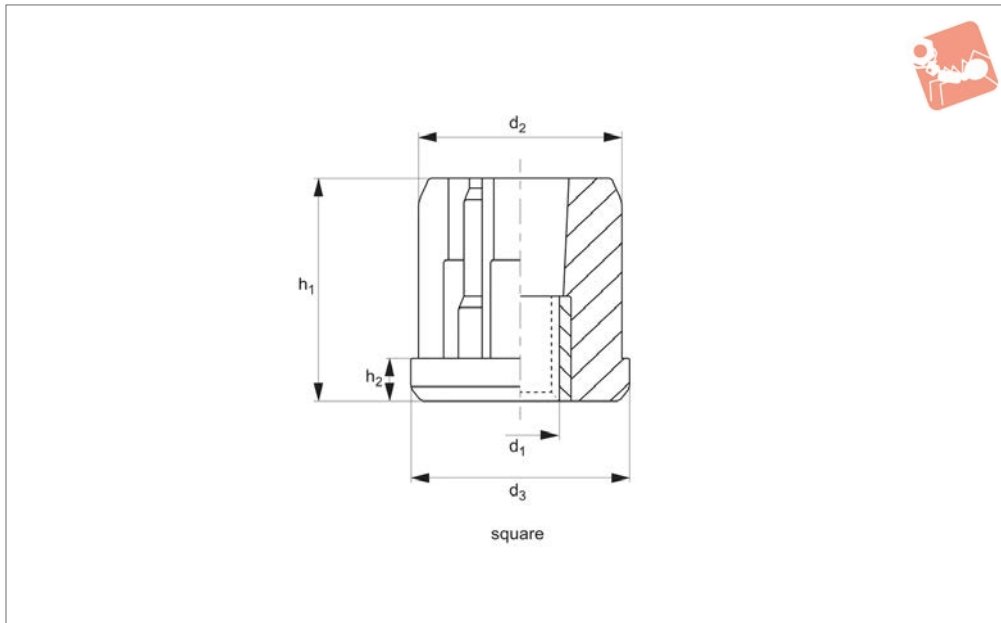


Order No.	d ₁	d ₂	d ₃	h ₁	h ₂	Static load kN max.
34693.W0720	M20	56.5	60	50	12	10.0
34693.W0724	M24	56.5	60	50	12	10.0
34693.W0814	M14	55.5	60	50	12	10.0
34693.W0816	M16	55.5	60	50	12	10.0
34693.W0820	M20	55.5	60	50	12	10.0
34693.W0824	M24	55.5	60	50	12	10.0



Threaded Plastic Insert - Square with nickel plated brass bush

Threaded Frame Inserts



34694

THREADED FRAME INSERTS

Material

Moulding: polyamide, reinforced with fiber glass.

Insert: nickel-plated brass.

Stainless steel inserts available on request.

Notes -

Order No.	d ₁	d ₂	d ₃	h ₁	h ₂	Static load kN max.
34694.W0110	M10	27	30x30x1,5	33	6	5.5
34694.W0112	M12	27	30x30x1,5	33	6	5.5
34694.W0114	M14	27	30x30x1,5	33	6	5.5
34694.W0116	M16	27	30x30x1,5	33	6	5.5
34694.W0210	M10	32	35x35x1,5	43	8	7.0
34694.W0212	M12	32	35x35x1,5	43	8	7.0
34694.W0214	M14	32	35x35x1,5	43	8	7.0
34694.W0216	M16	32	35x35x1,5	43	8	7.0
34694.W0310	M10	37	40x40x1,5	43	8	8.0
34694.W0312	M12	37	40x40x1,5	43	8	8.0
34694.W0314	M14	37	40x40x1,5	43	8	8.0
34694.W0316	M16	37	40x40x1,5	43	8	8.0
34694.W0320	M20	37	40x40x1,5	43	8	8.0
34694.W0410	M10	36	40x40x2,0	43	8	8.0
34694.W0412	M12	36	40x40x2,0	43	8	8.0
34694.W0414	M14	36	40x40x2,0	43	8	8.0
34694.W0416	M16	36	40x40x2,0	43	8	8.0
34694.W0420	M20	36	40x40x2,0	43	8	8.0
34694.W0512	M12	47	50x50x1,5	55	10	9.5
34694.W0514	M14	47	50x50x1,5	55	10	9.5
34694.W0516	M16	47	50x50x1,5	55	10	9.5
34694.W0520	M20	47	50x50x1,5	55	10	9.5
34694.W0612	M12	45	50x50x2,0	55	10	9.5
34694.W0614	M14	45	50x50x2,0	55	10	9.5
34694.W0616	M16	45	50x50x2,0	55	10	9.5
34694.W0620	M20	45	50x50x2,0	55	10	9.5



A Range of features to suit your application

Product selection

To ensure you select the most suitable levelling feet for your application consider the following questions:

- Tilting or fixed?
- Material required - steel, stainless or plastic?
- Load carrying capacity - light, medium or heavy duty?
(Review the quoted load capacities in the individual product tables).
- Bolt down feature required?
- Threaded or plastic insert required for mounting?
- Optional extras: hygiene seal, rubber pad, (subject to minimum quantity and selected model).

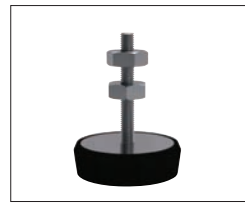
Key types



Fixed feet



Articulating levelling feet



Machine mounts



Fulcrum screw

Available features



Articulation



Standard nylon base



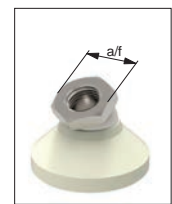
Anti-slip base



Bolt down base



Hygienic seal



Hex for easy installation

Materials



Steel thread - Nylon base



Stainless thread - Nylon base



Steel thread - Steel base



Stainless thread - Stainless base

Mounting inserts



Weldable insert



Hollow section insert



Hollow section bushed insert

Additional technical information



▶ For applications under greater loads and requiring increased precision of adjustment see our range of Precision Height Adjusters.

▶ For applications exposed to extreme vibrations see our range of Anti-Vibration Mounts.

